

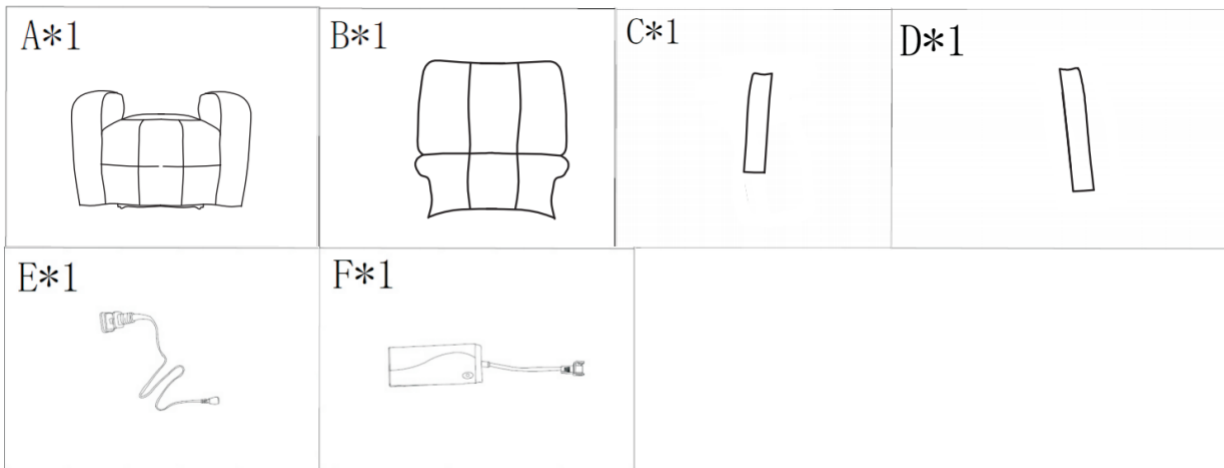
# Assembly Instructions

Your recliner comes packaged in One boxes.  
Carefully remove all of components from the  
packaging and set aside for assembly.

## CAUTION

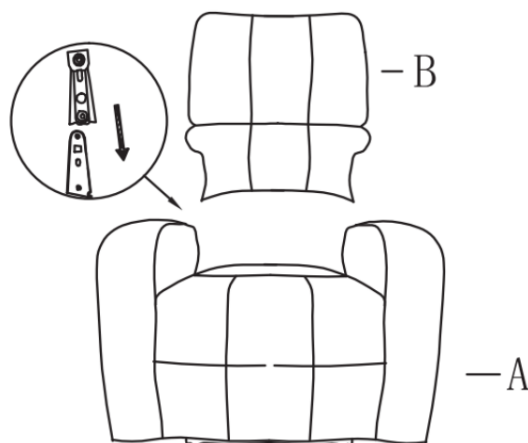
**DO NOT** use any sharp objects to open  
plastic wrapped components as this  
may result damage to product or  
components

## Package Contents



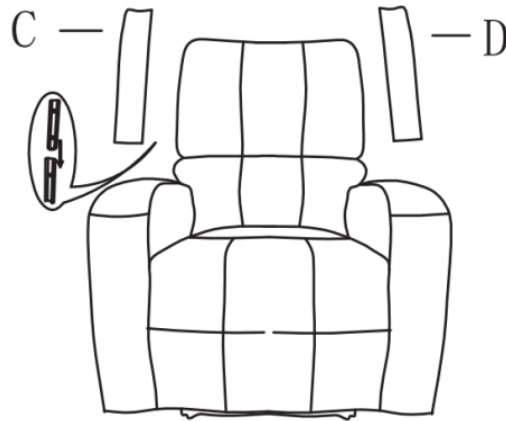
### STEP 1:

Attach the **Backrest (B)** to the **Seat (A)** via the metal slide, and make sure it is securely attached before use.



**STEP 2:**

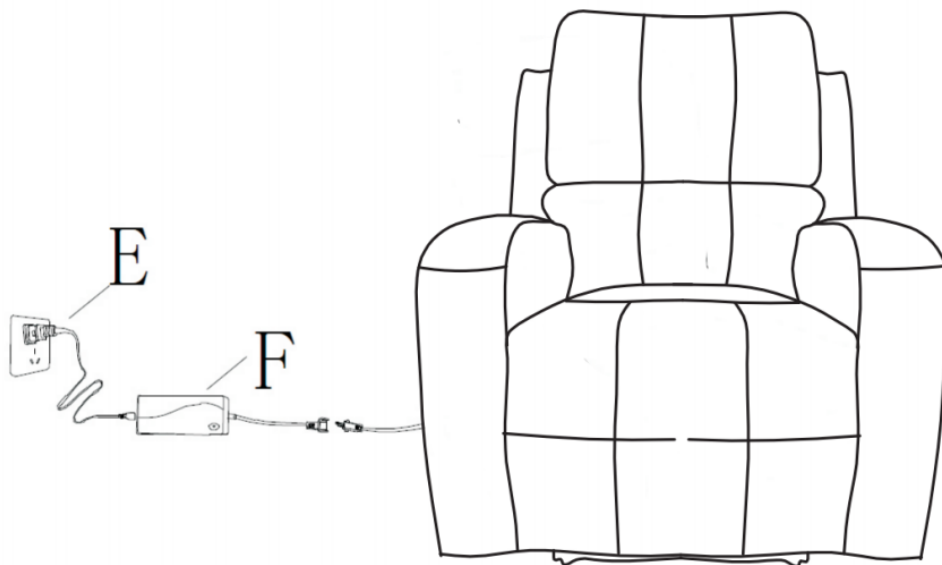
Install the **Backrest Additional Accessories (C,D)** on both sides of the **Backrest (B)** through the metal slide, and make sure it is firmly installed before use.



**STEP 3:**

Note: You must ensure that your hands are dry during the process.

First, connect the **Transformer (F)** to your recliner and fasten the safety buckle, followed by the **Power Cord (E)** connected to the **Transformer (F)**, and finally the power line that has been installed to power on.



## Warnings

1. Please check if the components of the chair are all included and can be used normally.
2. Assemble all components according to the instruction correctly before you connect the chair to the power.
3. Please DO NOT sit on the armrests or footrest to eliminate the risk of tipping over.
4. If the chair is damaged or doesn't match the website description, please send clear pictures of the product and label of the carton to our service team for further help.
5. If the recliner doesn't work, you may try the following measures for self-checking firstly:
  - a) Check if all the cables are connected;
  - b) Check if the light of transformer is on.If the chair still doesn't work, please feed the information back to our customer service in time and we'll help you solve the matter as soon as possible.
6. If you have any questions with the product, please contact us by:

