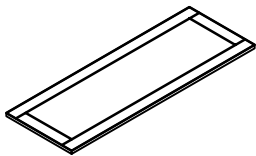
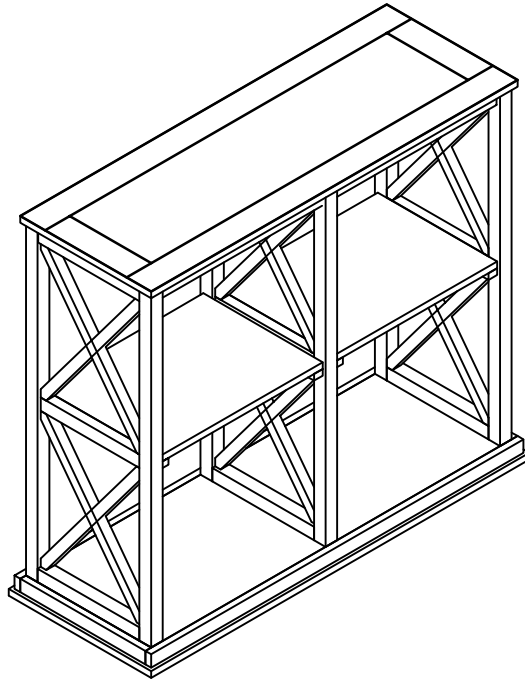
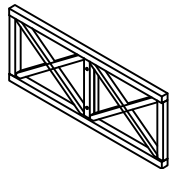


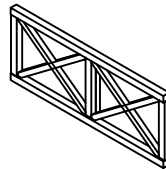
Assembly Instructions



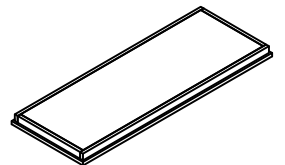
(A) : 1PC



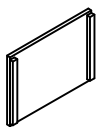
(B) : 1PC



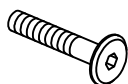
(C) : 2PCS



(D) : 1PC



(E) : 2PCS



(F) M6*40 mm: 20PCS

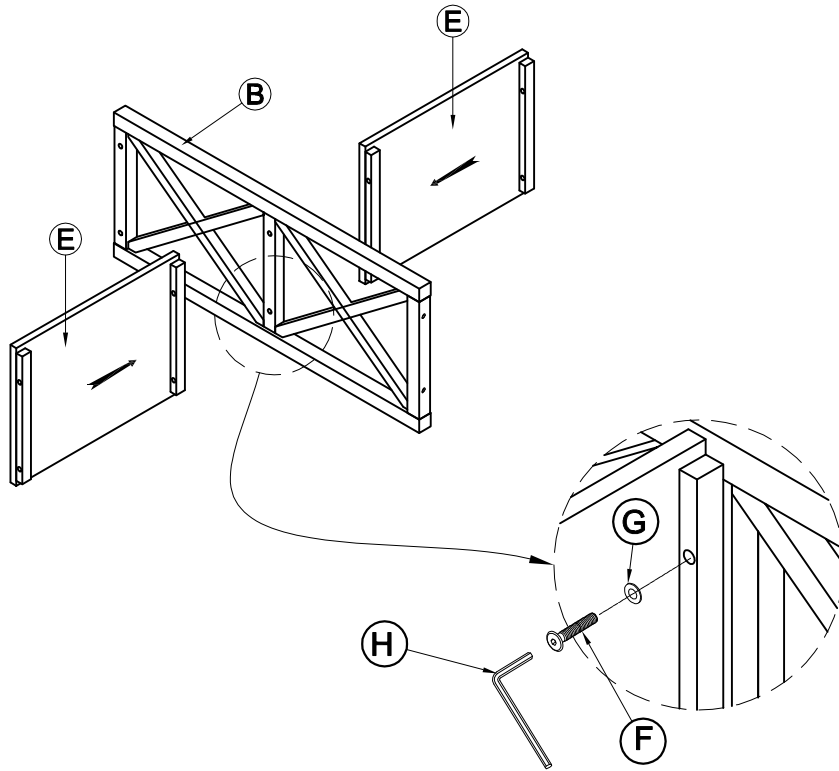


(G) M6*16 : 20PCS

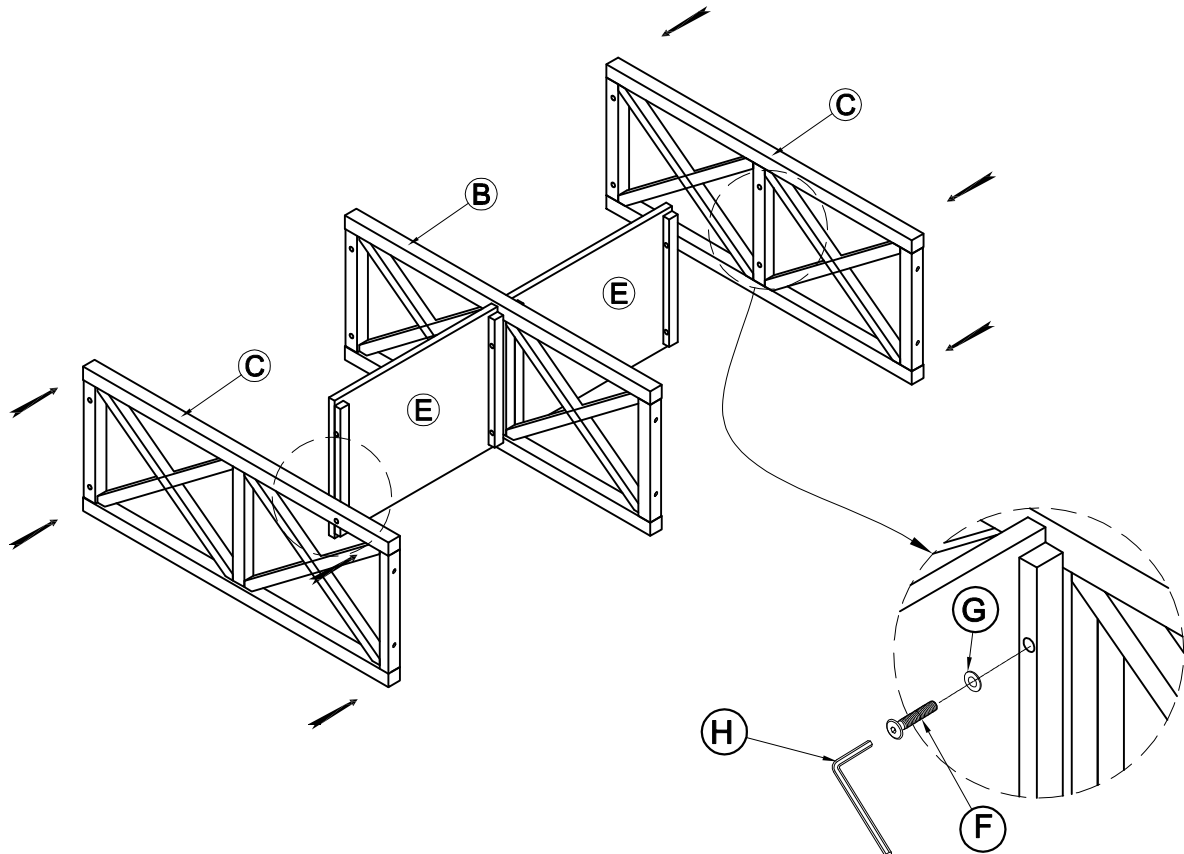


(H) : 1PC

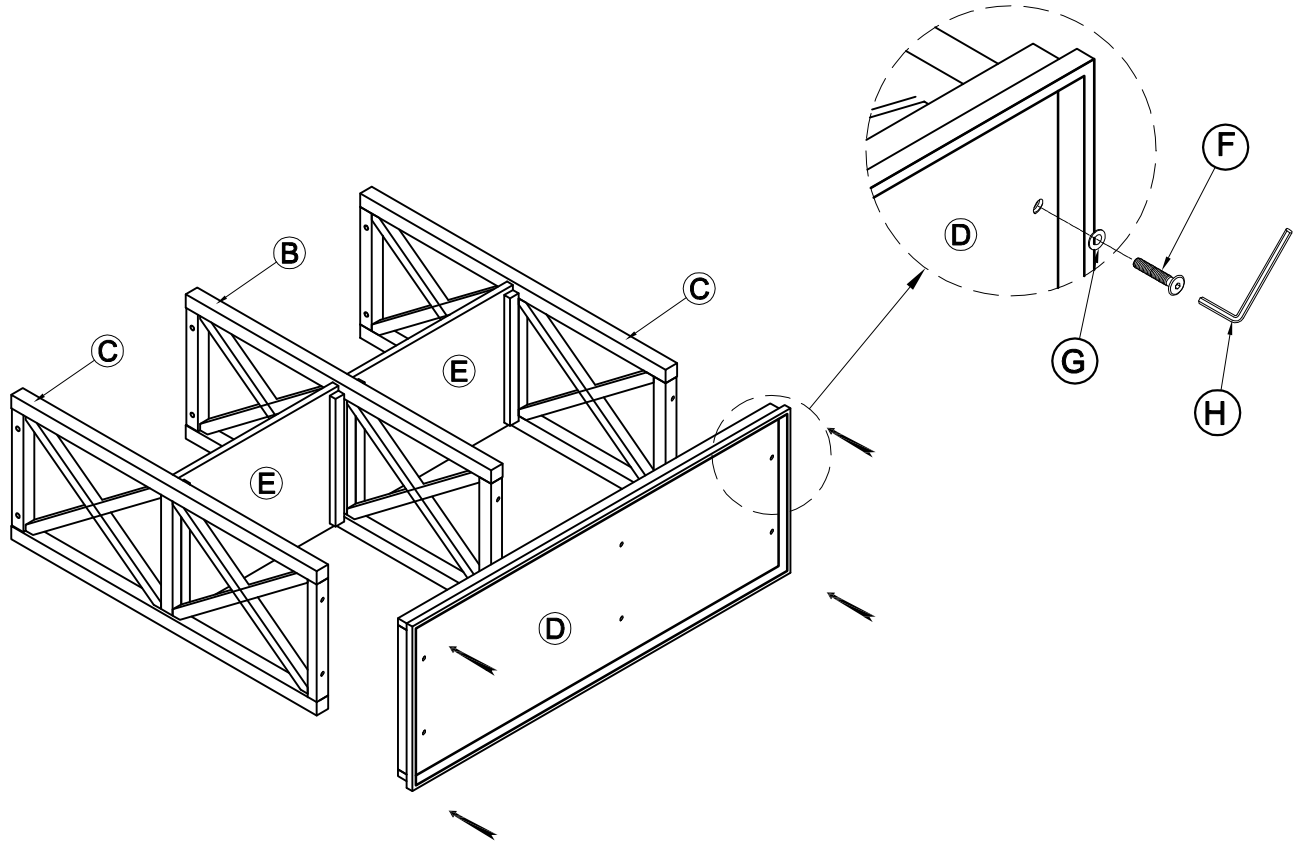
STEP 1



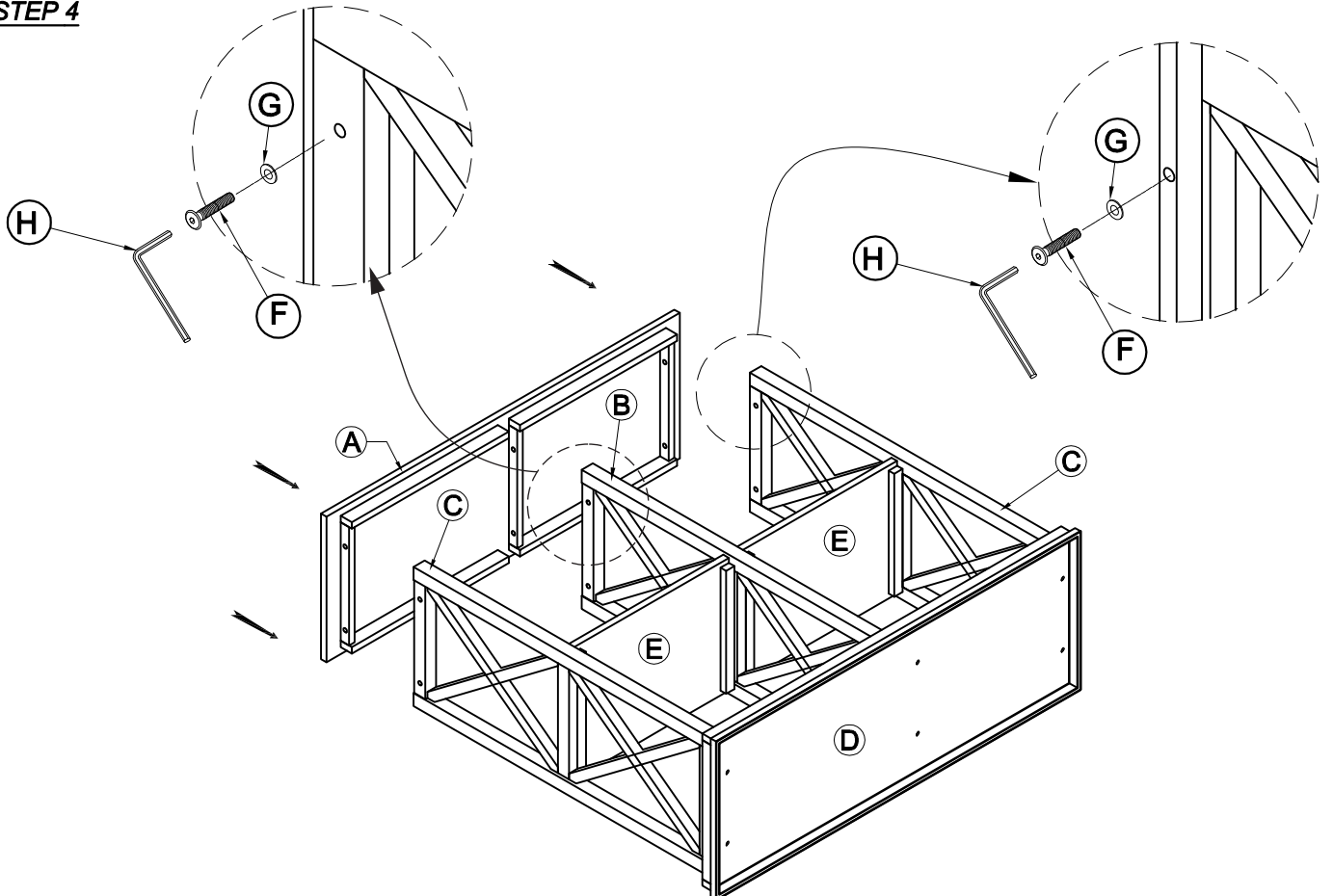
STEP 2

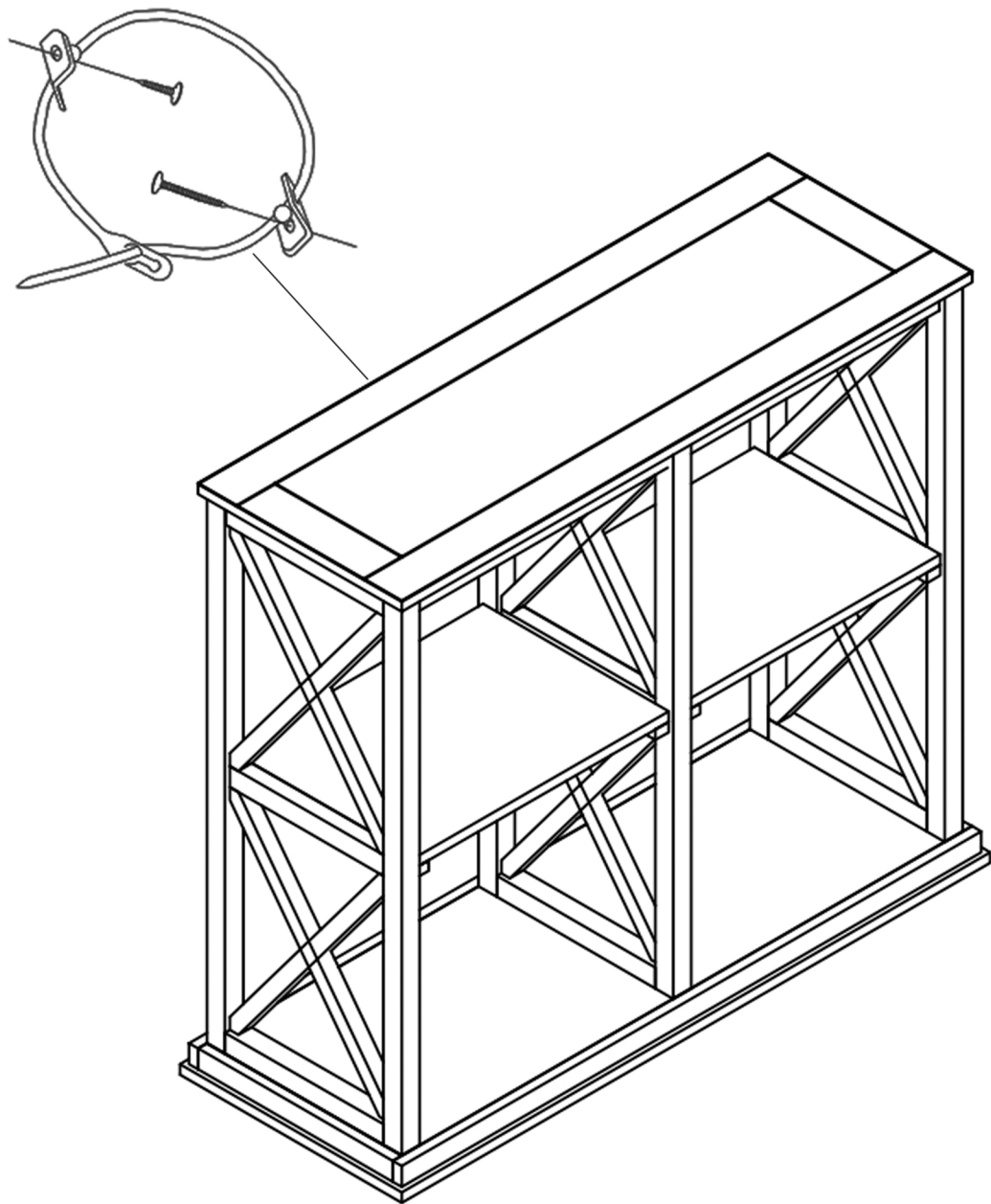


STEP 3



STEP 4





Parts Enclosed/Material Fourni/Partes incluidas

Installation Instructions:

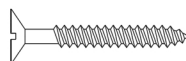
This tip restraint must be attached to a wall stud using the 2'screw enclosed.



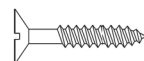
x2



x1



x1



x1