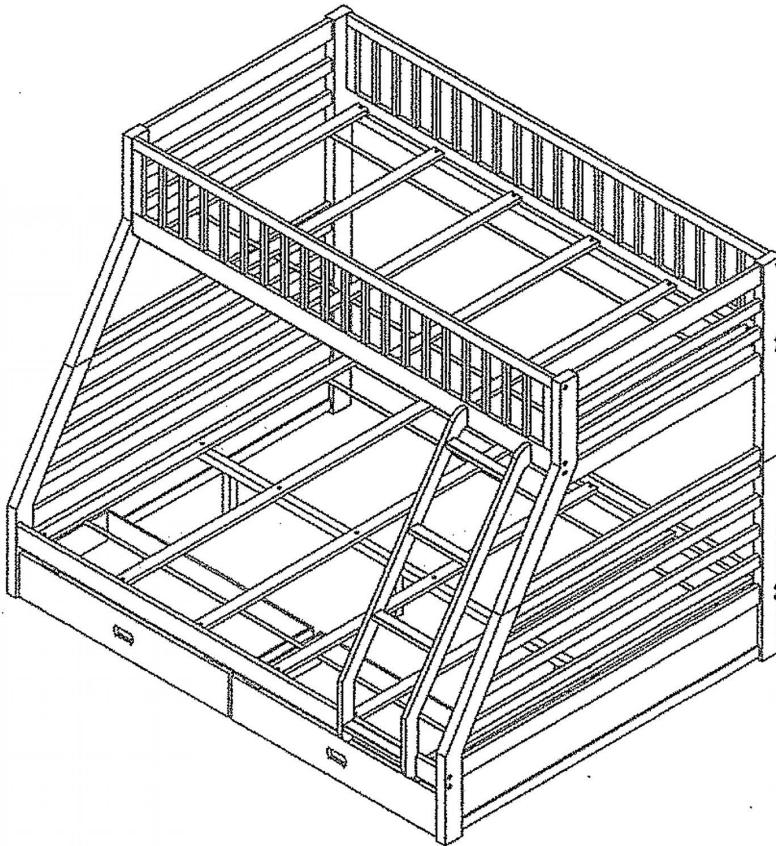


# ASSEMBLY INSTRUCTIONS









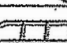
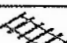
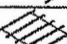



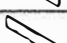

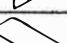

\*\*\* Thank you for purchasing this quality product. Be sure to check all packing materials carefully for sm  
list below.

\*\*\* Assemble product on a flat, soft surface such as a carpet or cloth to prevent scratching the finish. Re

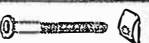

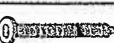


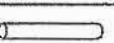



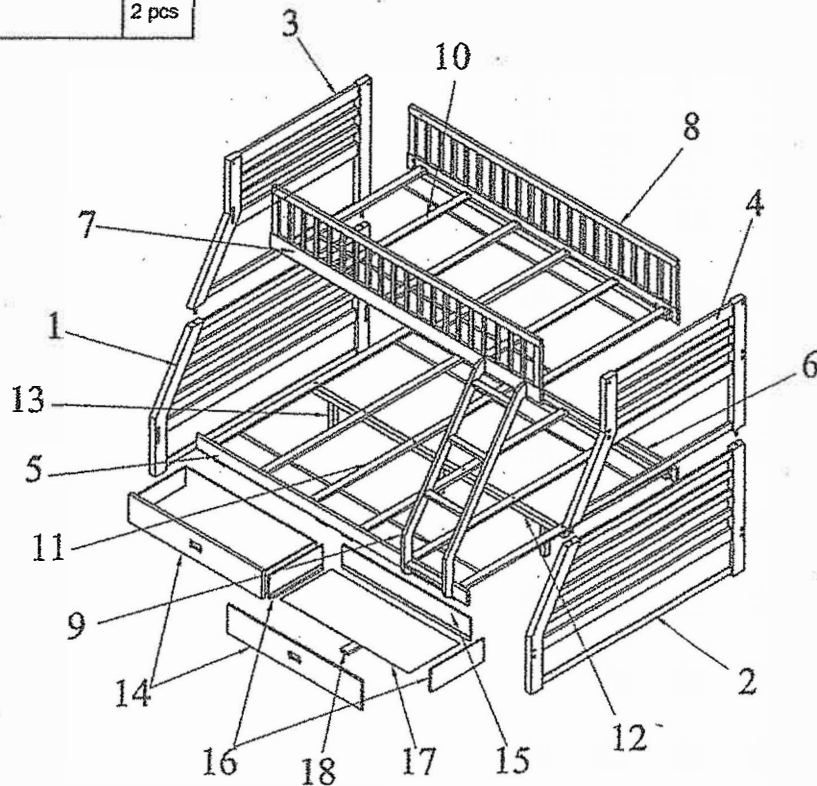
**IMPORTANT:** Do not tighten bolts completely until all  
bolt are completely lined up and inserted into holes

## PARTS LIST

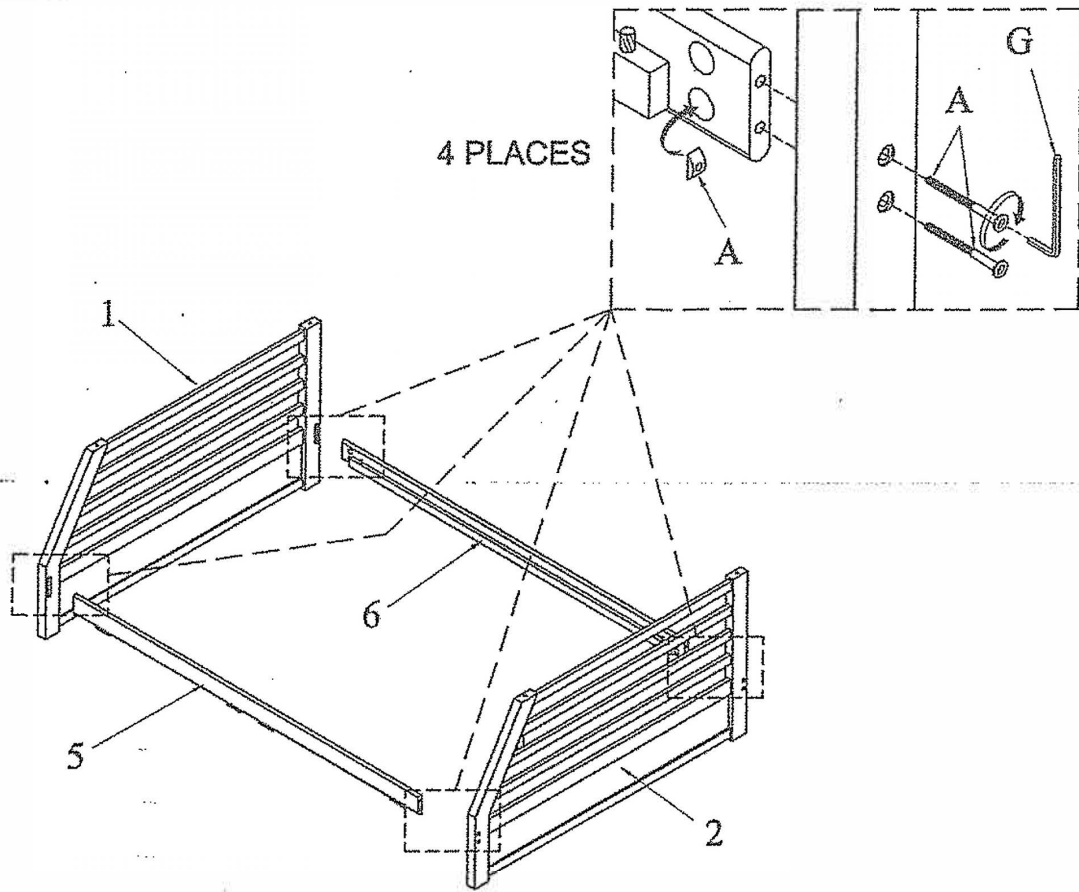
No	DRAGRAM	PART NAME	Q'Ty
1		Lower Headboard (Left Side)	1 pc
2		Lower Headboard (Right Side)	1 pc
3		Upper Headboard (Left Side)	1 pc
4		Upper Headboard (Right Side)	1 pc
5		Lower Front Rail	1 pc
6		Lower Back Rail	1 pc
7		Upper Front Rail	1 pc
8		Upper Back Rail	1 pc
9		Completed Ladder	1 pc
10		Completed Twin slat (6pcs/1set)	1 Set
11		Completed Queen slat (6pcs/1set)	1 Set
12		Center Support slat	1 pc
13		Leg	3 pcs
14		Front Drawer Panel	2 pcs
15		Back Drawer Panel	2 pcs
16		Side Drawer Panel	4 pcs
17		Bottom Drawer Panel	2 pcs
18		Support Drawer	2 pcs

## HARDWARE LIST

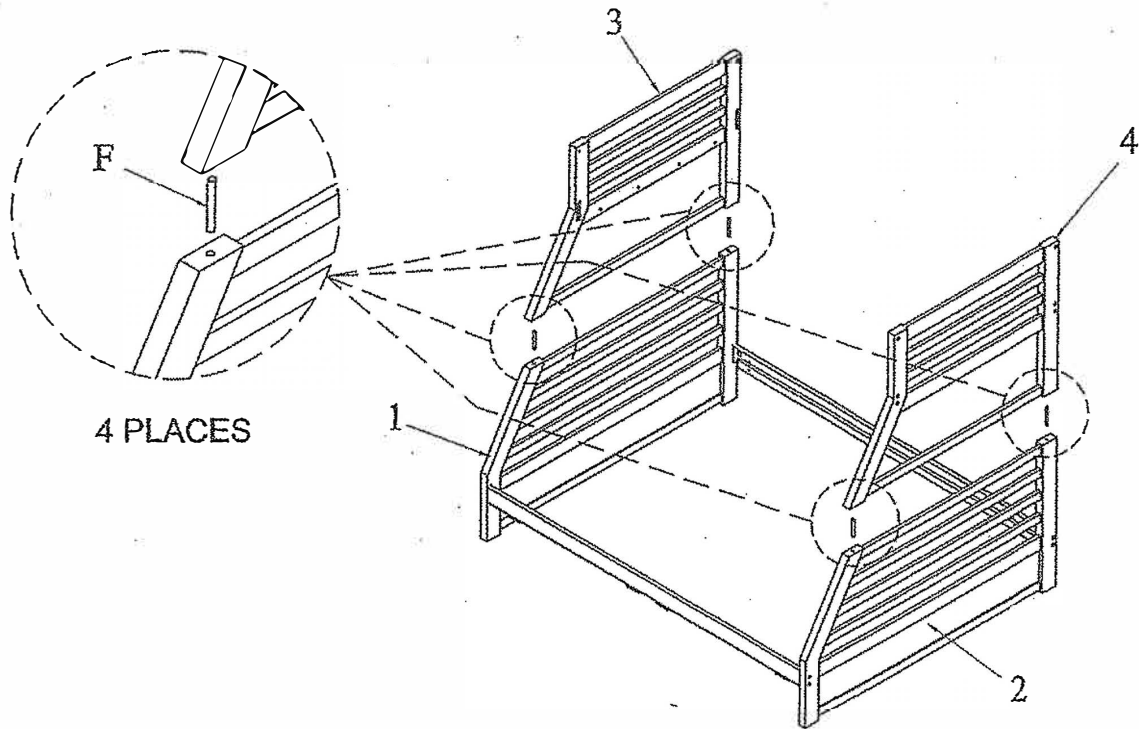
No	DRAGRAM	PART NAME	Q'Ty
A		Bolt: 6.3 * 80 (mm) Half Round Nut	16 pcs
B		Bolt: 6.3 * 35 (mm)	4 pcs
C		Screw: 7 * 80 (mm)	4 pcs
D		Screw: 4 * 30 (mm)	38 pcs
E		Screw: 4 * 25 (mm)	16 pcs
F		Metal: 9 * 80 (mm)	4 pcs
G		Allen Key	1 Pc



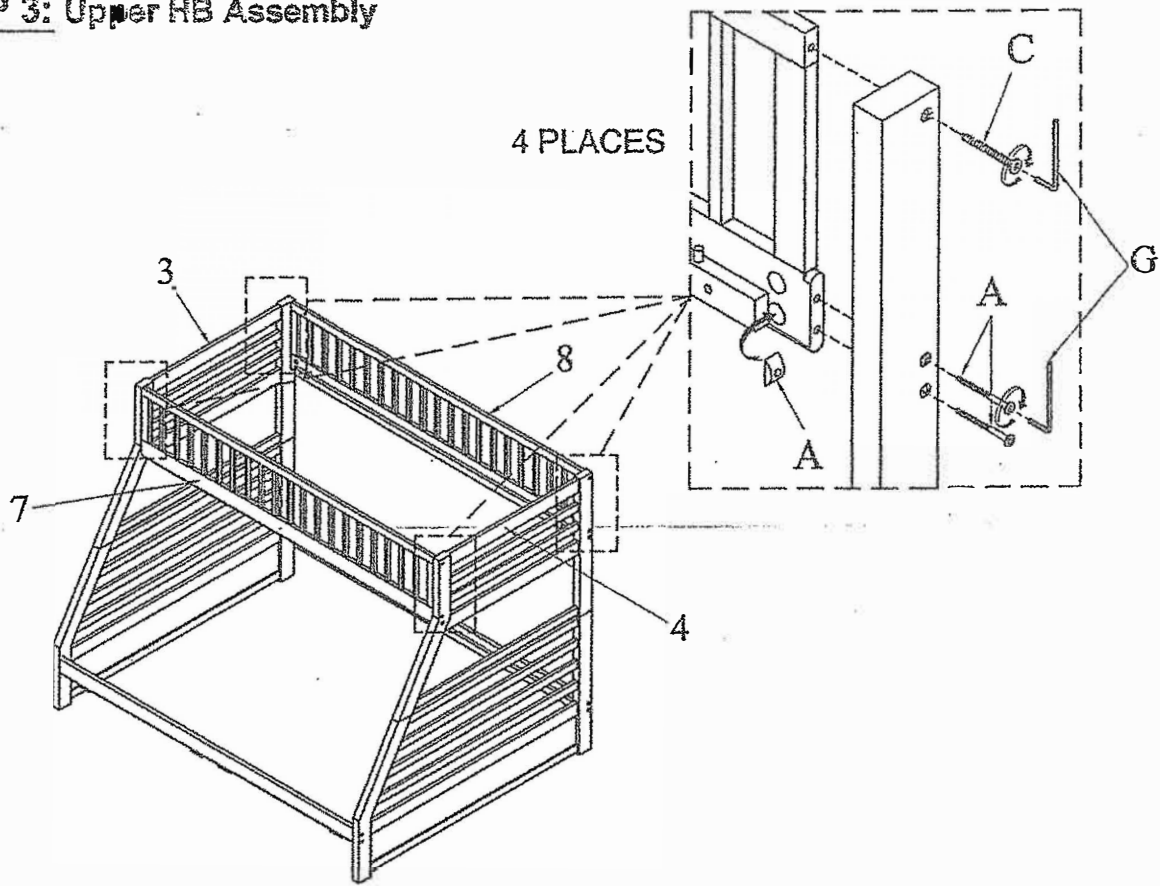
**STEP 1: Lower HB Assembly**



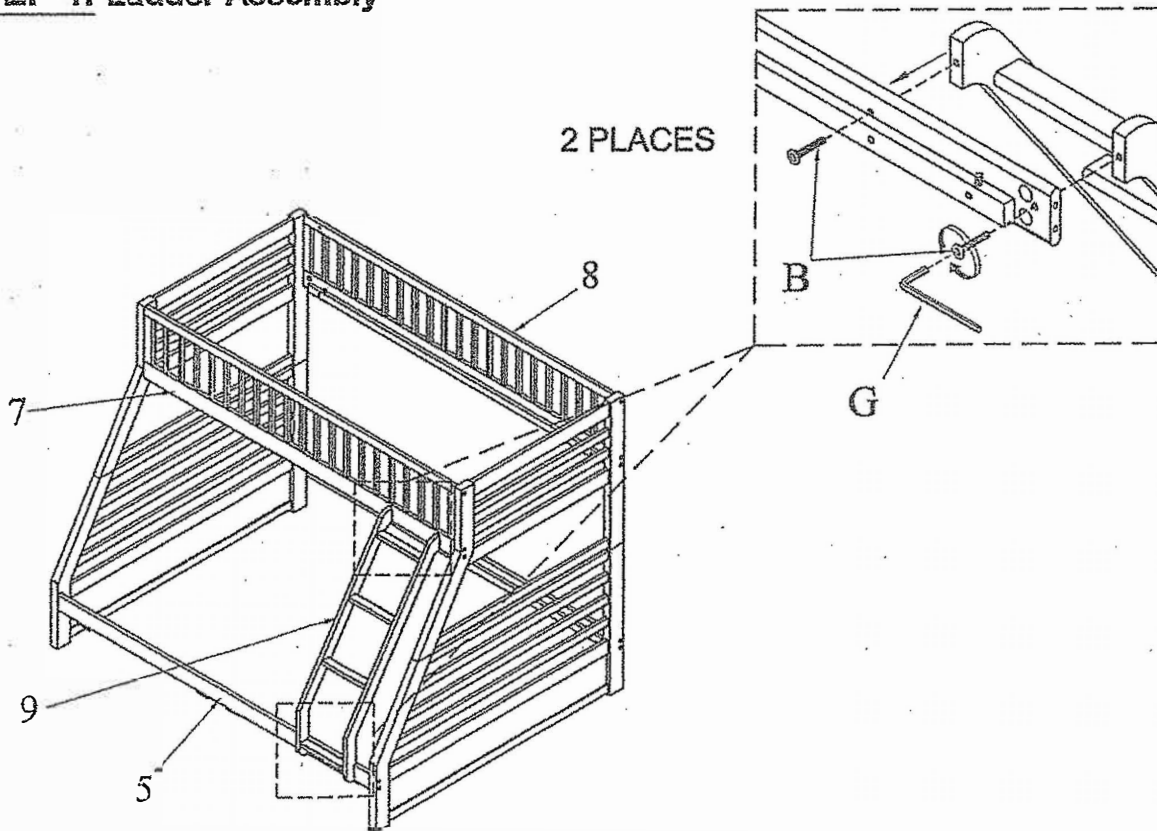
**STEP 2: Upper & Lower HB Assembly**



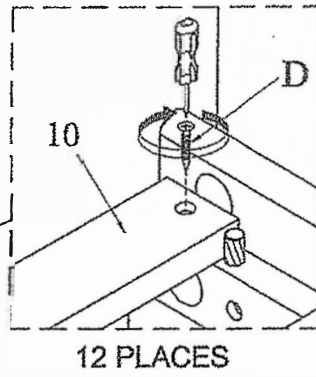
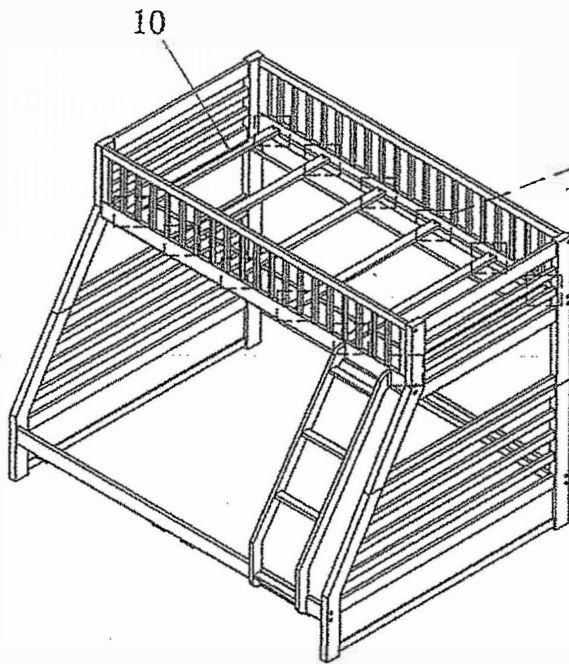
**STEP 3: Upper HB Assembly**



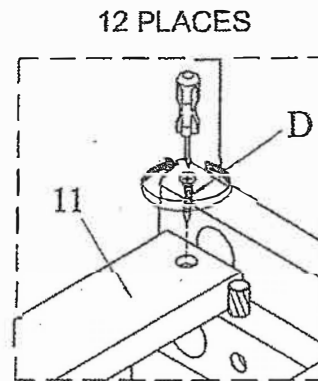
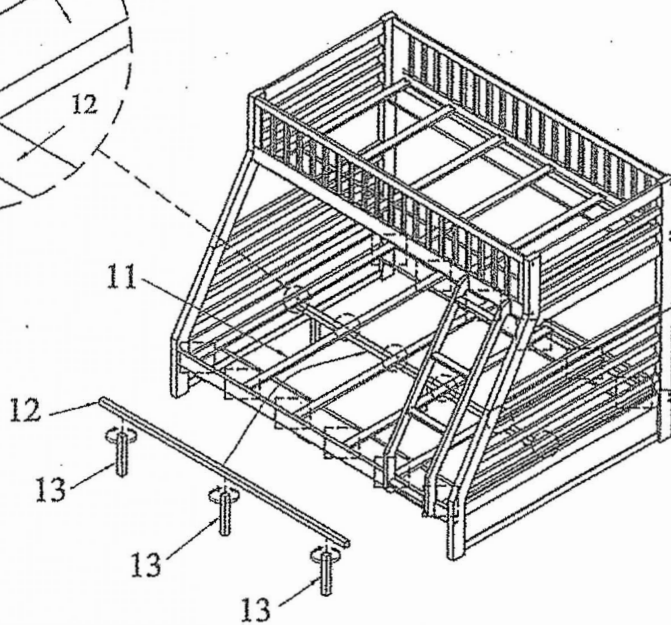
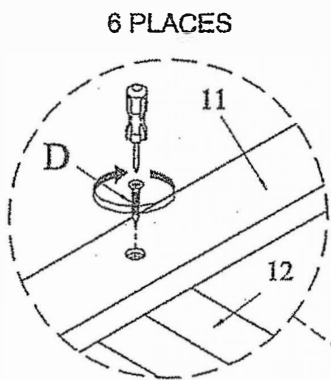
**STEP 4: Ladder Assembly**



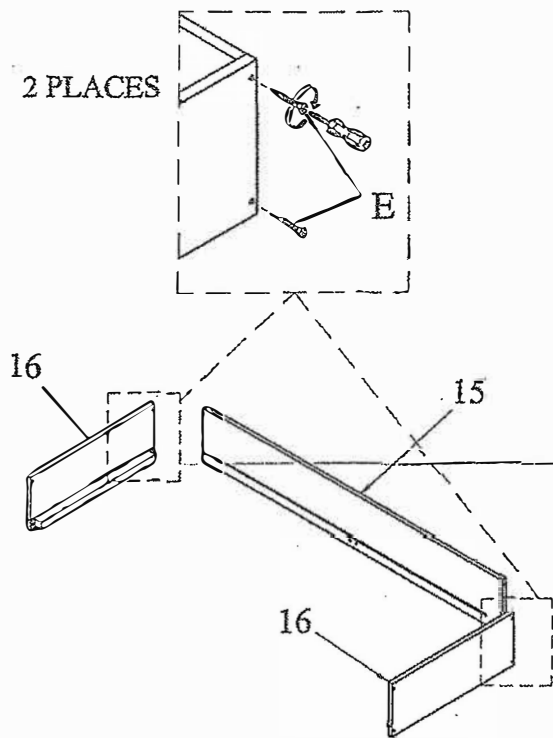
**STEP 5: Completed Twin Slat Assembly**



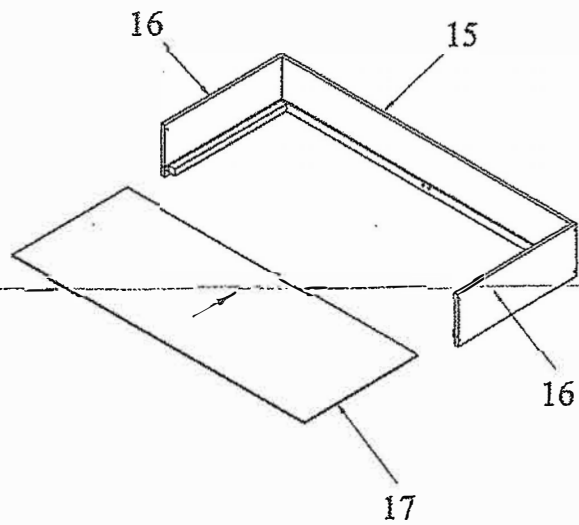
**STEP 6: Center Support & Queen Slat Assembly**



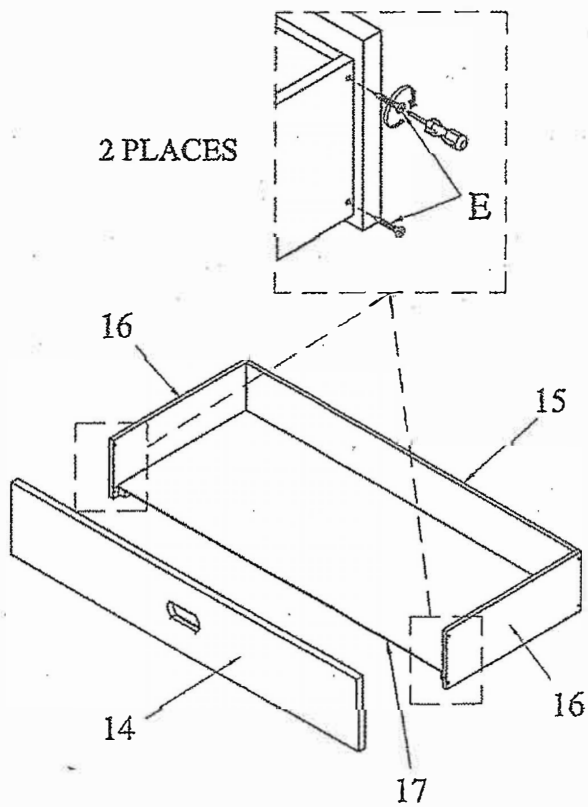
### STEP 7: Drawer Assembly



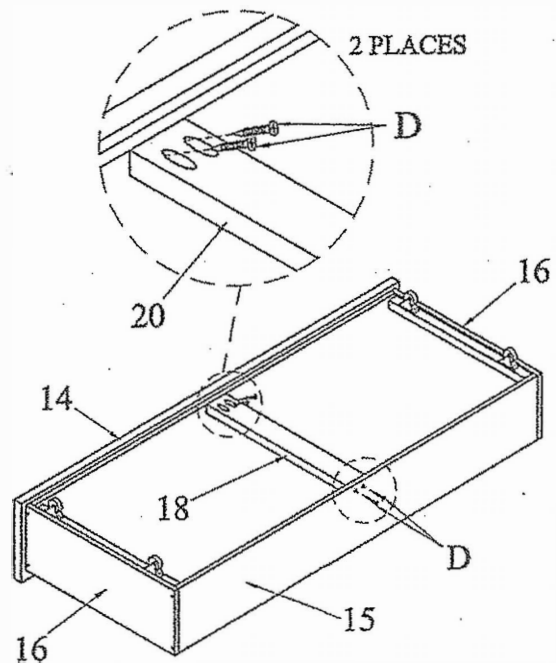
### STEP 8: Drawer Assembly



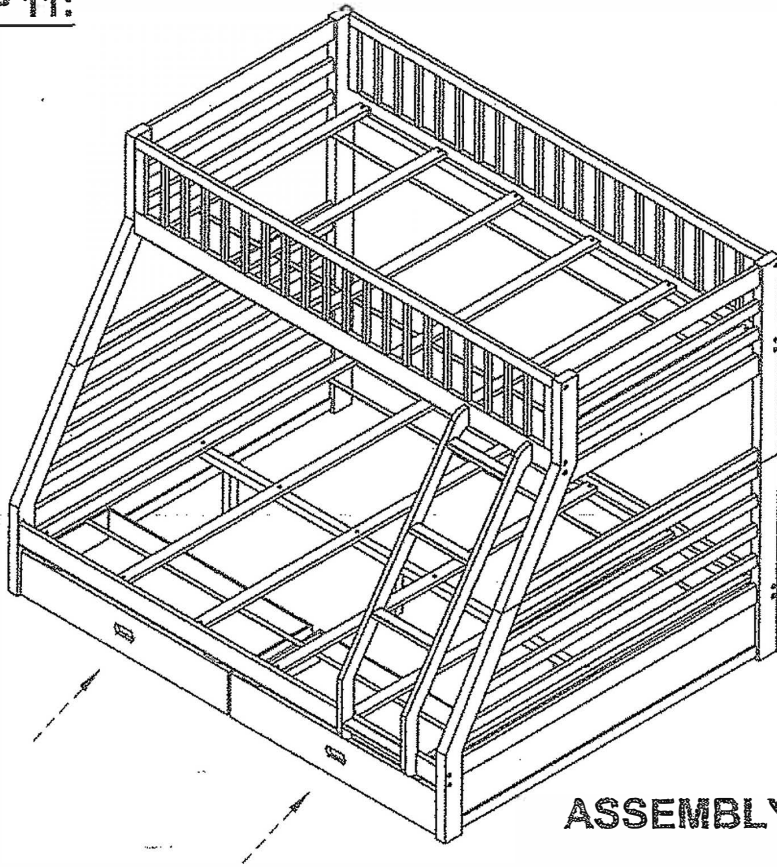
### STEP 9: Drawer Assembly



### STEP 10: Drawer Assembly



**STEP 11:**



**ASSEMBLY IS COMPLETED**

**WARNING !!!**

To help prevent serious or fatal injuries from entrapment or falls:

1. Follow the information on the warning label appearing on the upper bunk end structure and on the carton. Do not remove warning label from bed.
2. Always use the recommended size mattress or mattress support, or both, to help prevent the like hood of entrapment or falls. Use only a mattress which is 80" long and 39" wide for twin X-Long, which is 80" long and 61" wide for queen size.
3. Ensure thickness of upper mattress does not exceed 6" and top surface of mattress is at least 5" below the upper edge of guardrails.
4. Do not allow children under 6 years to use the upper bunk.
5. Periodically check and ensure that the guardrail, ladder, and other components are in their proper position, free from damage, and that all connectors are tight.
6. Do not allow horseplay on or under the bed and prohibit jumping on the bed.
7. Always use ladder for entering and leaving upper bunk.
8. Do not use substitute parts. Contact the manufacturer or dealer for replacement parts.
9. Use of a night-light may provide added safety precaution for a child using the upper bunk.
10. Always use guardrails on both long sides of the upper bunk. If the bunk bed will be placed next to a wall, the guardrail that runs the full length of the bed should be placed against the wall to prevent entrapment between the bed and the wall.
11. The use of water or sleep flotation mattresses is prohibited.

**STRANGULATION HAZARD:**

12. Never attach or hang items to any part of the bunk bed that are not designed for use with the bed, for example, but not limited to, hooks, belts and jump ropes.
13. Prohibit more than one person on upper bunk.
14. Maximum total weight not to exceed 150 lbs on the upper bunk, and maximum 200 lbs on lower bunk.
15. Keep these instructions for future reference.