

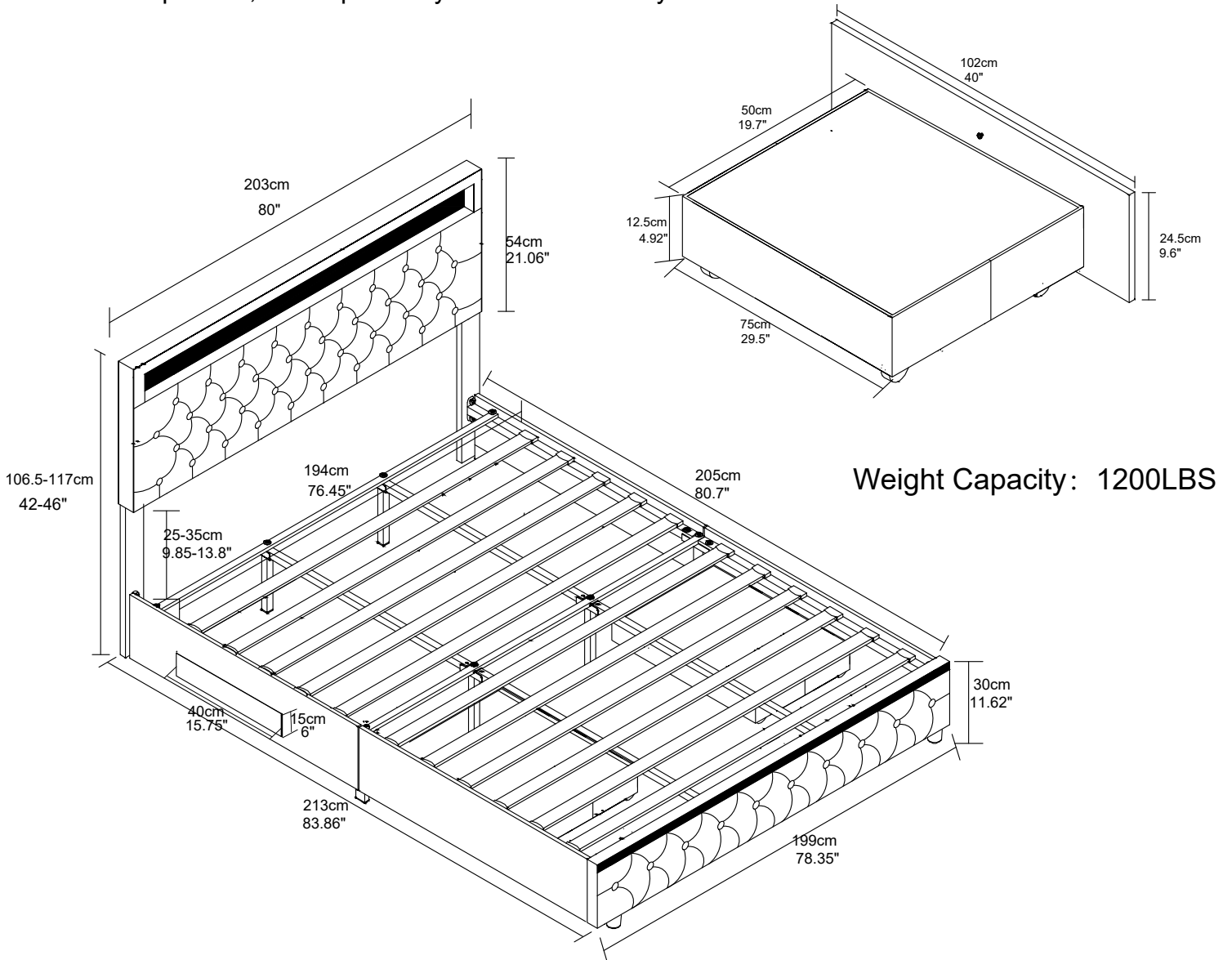
User's Manual

Bed Frame



Note:

1. Should be assembled on flat ground to keep balance.
2. Before completing the installation, do not tighten the screws.
3. Please contact after-service directly for any breakage problem of the product, we will provide you with satisfactory service.



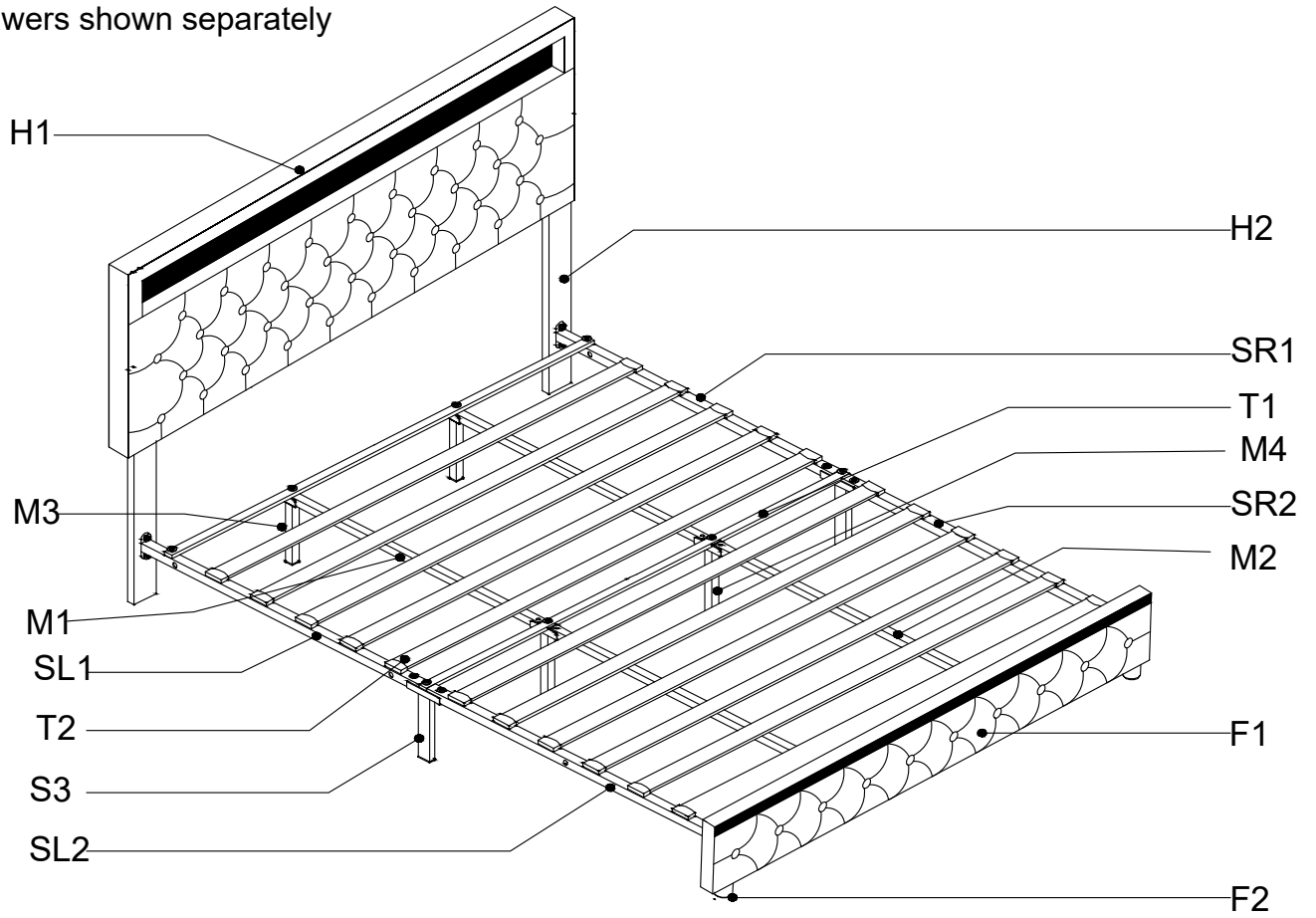
Before starting the assembly, you must read the whole manual and follow the instructions

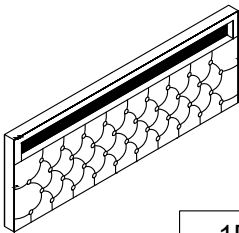

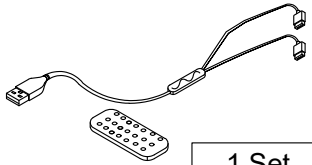
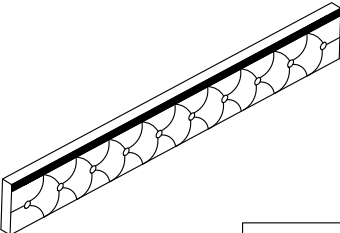
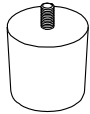
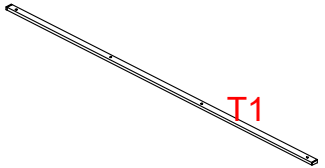


It needs at least two people to install.

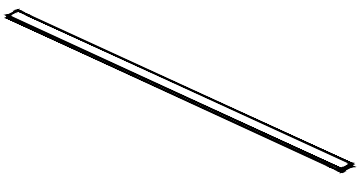
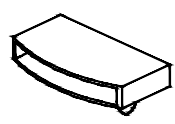
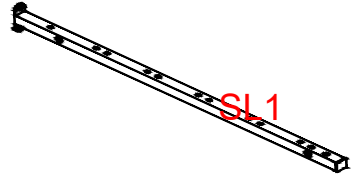
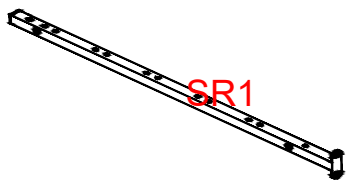
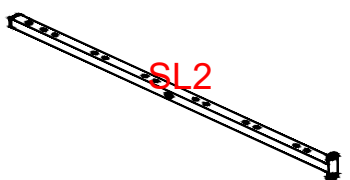
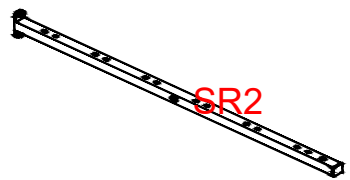
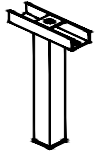
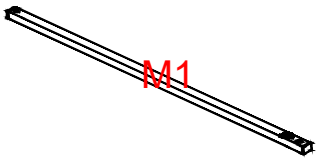
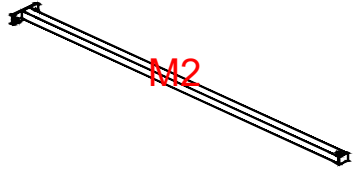
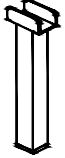
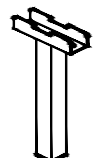
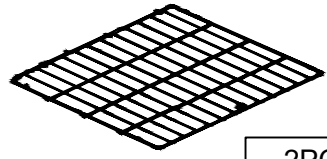
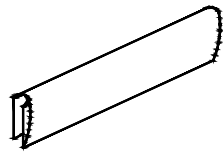
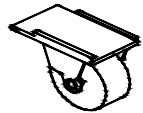
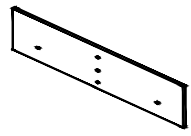
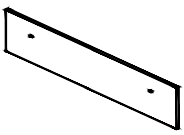
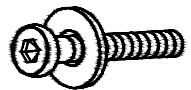





Assembly Instruction of (Bed)

Drawers shown separately



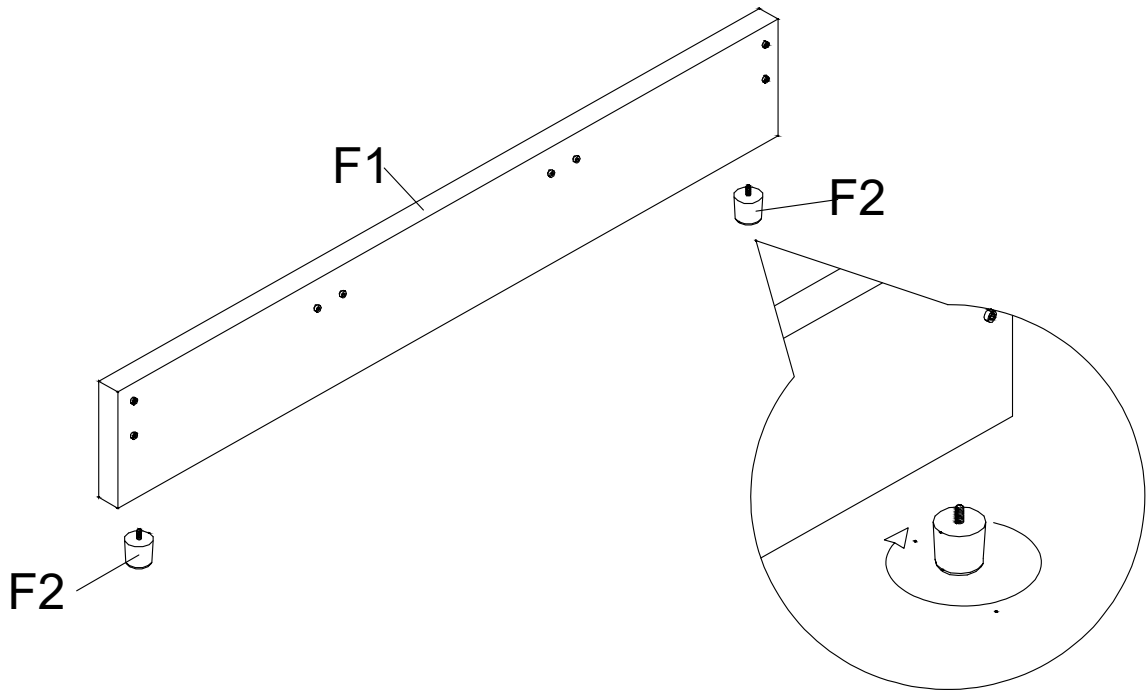
<p>H1 Headboard</p>  <p>1PC</p>	<p>H2 Headboard Leg</p>  <p>2PCS</p>	<p>H3 Connecting cable and LED remote control</p>  <p>1 Set</p>
<p>F1 Footboard</p>  <p>1PC</p>	<p>F2 Footboard Feet</p>  <p>2PCS</p>	<p>T1 Cross Beam</p>  <p>2PCS</p>

Assembly Instruction of (Bed)

<p>T2 Slat</p>  <p style="text-align: right;">11PCS</p>	<p>T3 Slat Anchor Clip</p>  <p style="text-align: right;">22+2PCS</p>	<p>SL1 Head Side Rail Section</p>  <p style="text-align: right;">1PC</p>
<p>SR1 Head Side Rail Section</p>  <p style="text-align: right;">1PC</p>	<p>SL2 Foot Side Rail Section</p>  <p style="text-align: right;">1PC</p>	<p>SR2 Foot Side Rail Section</p>  <p style="text-align: right;">1PC</p>
<p>S3 Center Side Rail Leg</p>  <p style="text-align: right;">2PCS</p>	<p>M1 Head Middle Rail</p>  <p style="text-align: right;">2PCS</p>	<p>M2 Foot Middle Rail</p>  <p style="text-align: right;">2PCS</p>
<p>M3 Head Middle Leg</p>  <p style="text-align: right;">2PCS</p>	<p>M4 Central Middle Leg</p>  <p style="text-align: right;">2PCS</p>	<p>D1 Drawer Grid Base</p>  <p style="text-align: right;">2PCS</p>
<p>D2 Fabric Drawer Shell</p>  <p style="text-align: right;">2PCS</p>	<p>D3 Drawer Caster</p>  <p style="text-align: right;">8PCS</p>	<p>D4 Drawer Panel</p>  <p style="text-align: right;">2PCS</p>
<p>D5 Side Panel</p>  <p style="text-align: right;">2PCS</p>	<p>U1 M8×45mm Screw with Washer</p>  <p style="text-align: right;">24+2PCS</p>	<p>U2 M6×15mm Screw with Washer</p>  <p style="text-align: right;">8+1PCS</p>
<p>U3 M6×15mm Screw</p>  <p style="text-align: right;">2PCS</p>	<p>U8L M8 L-Wrench</p>  <p style="text-align: right;">1PC</p>	<p>U6L M6 L-Wrench</p>  <p style="text-align: right;">1PC</p>
<p>W Light Bar Fixer</p>  <p style="text-align: right;">4PCS</p>		

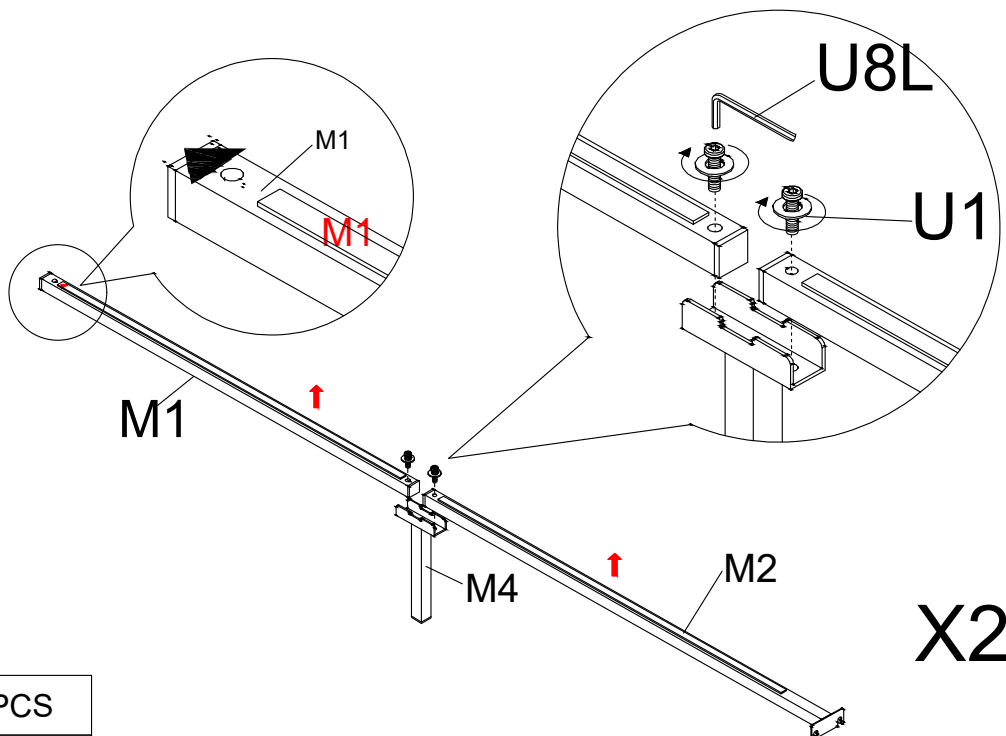
Assembly Instruction of (Bed)

STEP 1

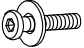



STEP 2

Noted that the middle cross beam, the direction of the black arrow is the front



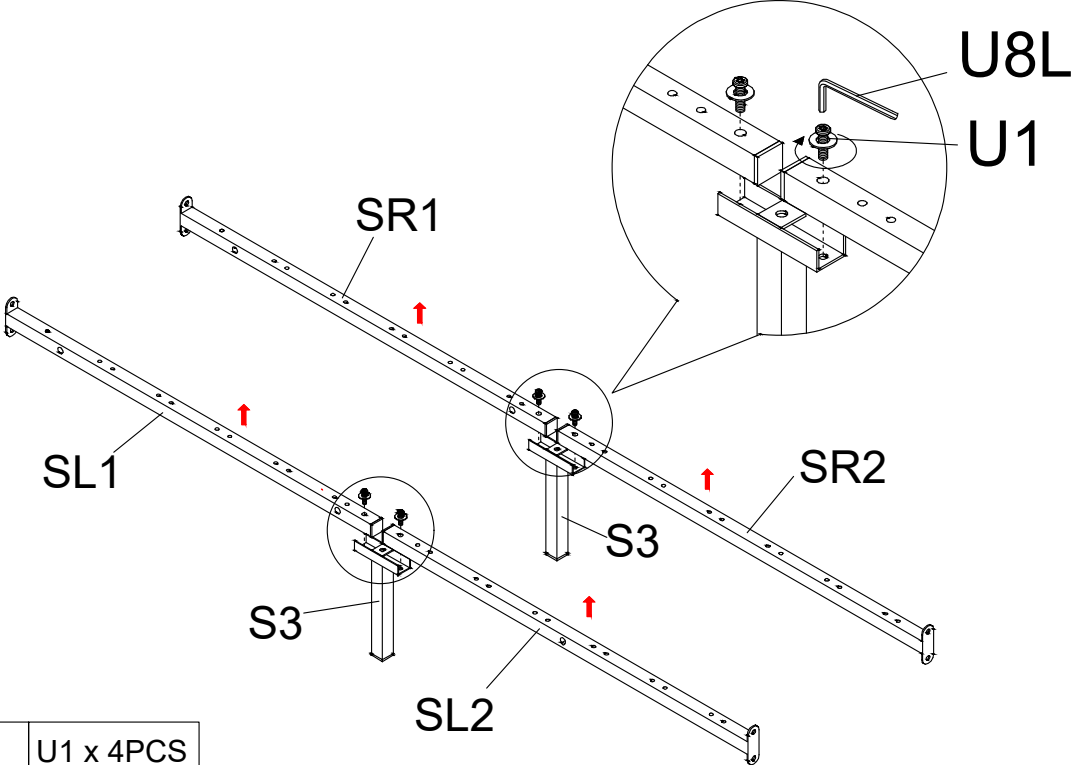
X2

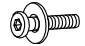

	U1 x4PCS
	U8L x 1PC

Screws with small round pieces will make the bed more stable.

Assembly Instruction of (Bed)

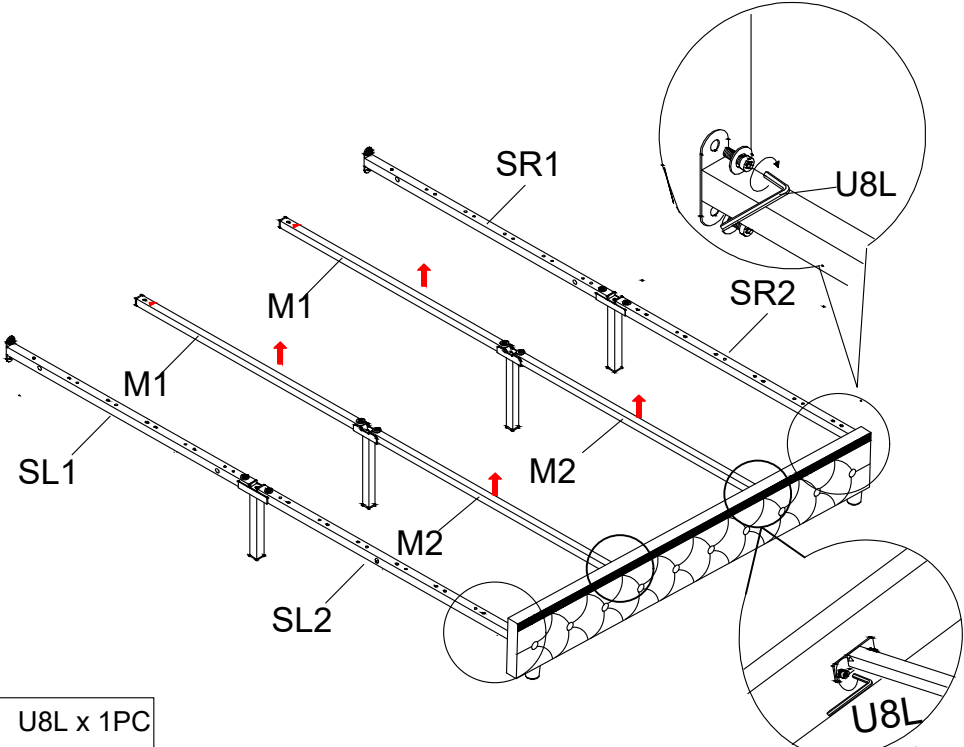
STEP 3




	U1 x 4PCS
	U8L x 1PC

Screws with small round pieces will make the bed more stable.

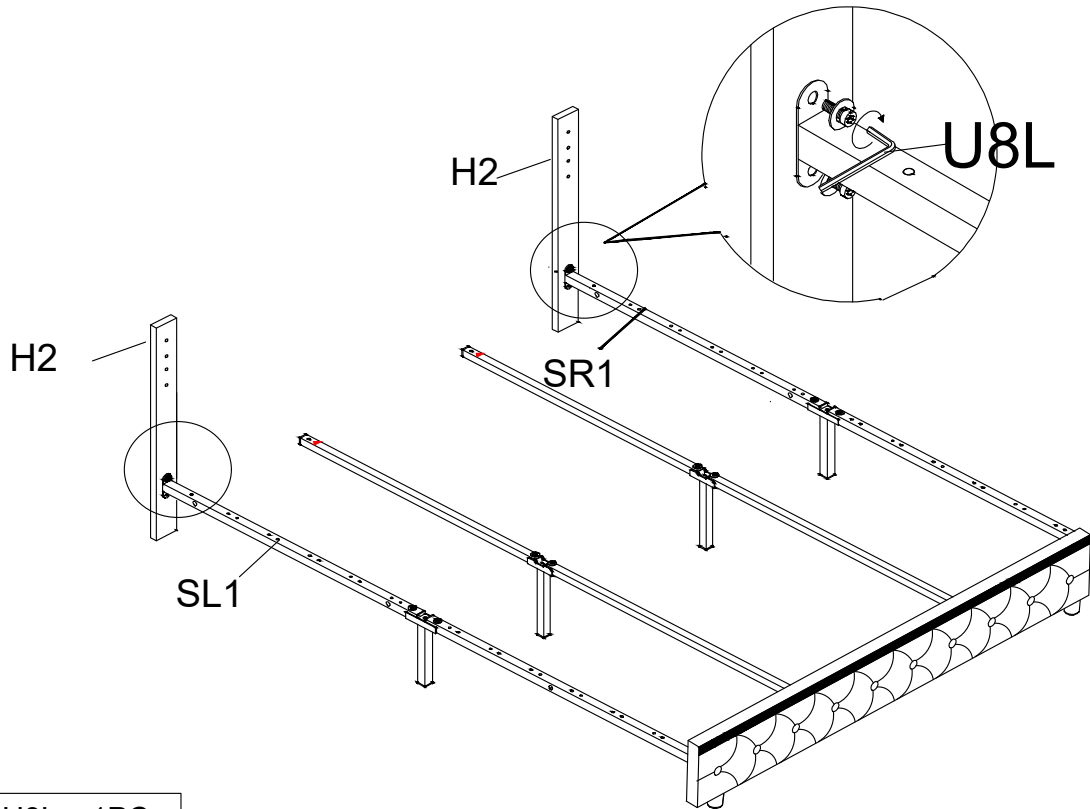
STEP 4



	U8L x 1PC
---	-----------

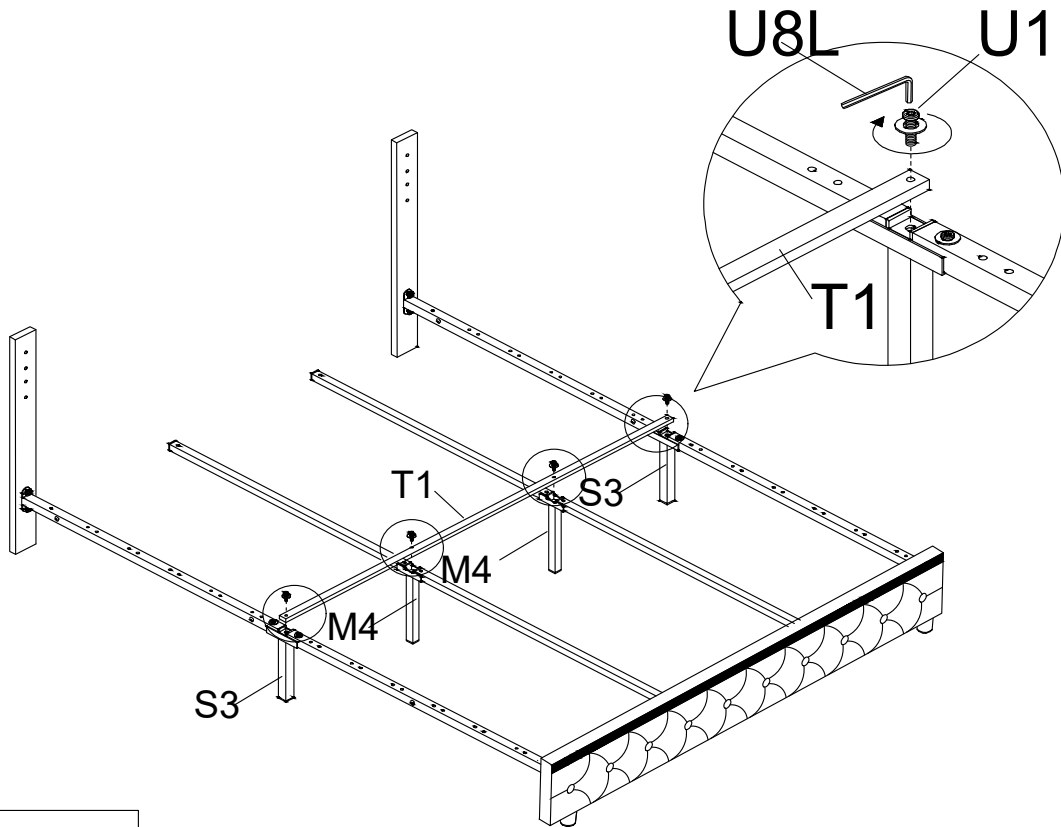
Assembly Instruction of (Bed)

STEP 5



U8L x 1PC

STEP 6



U1 x 4PCS

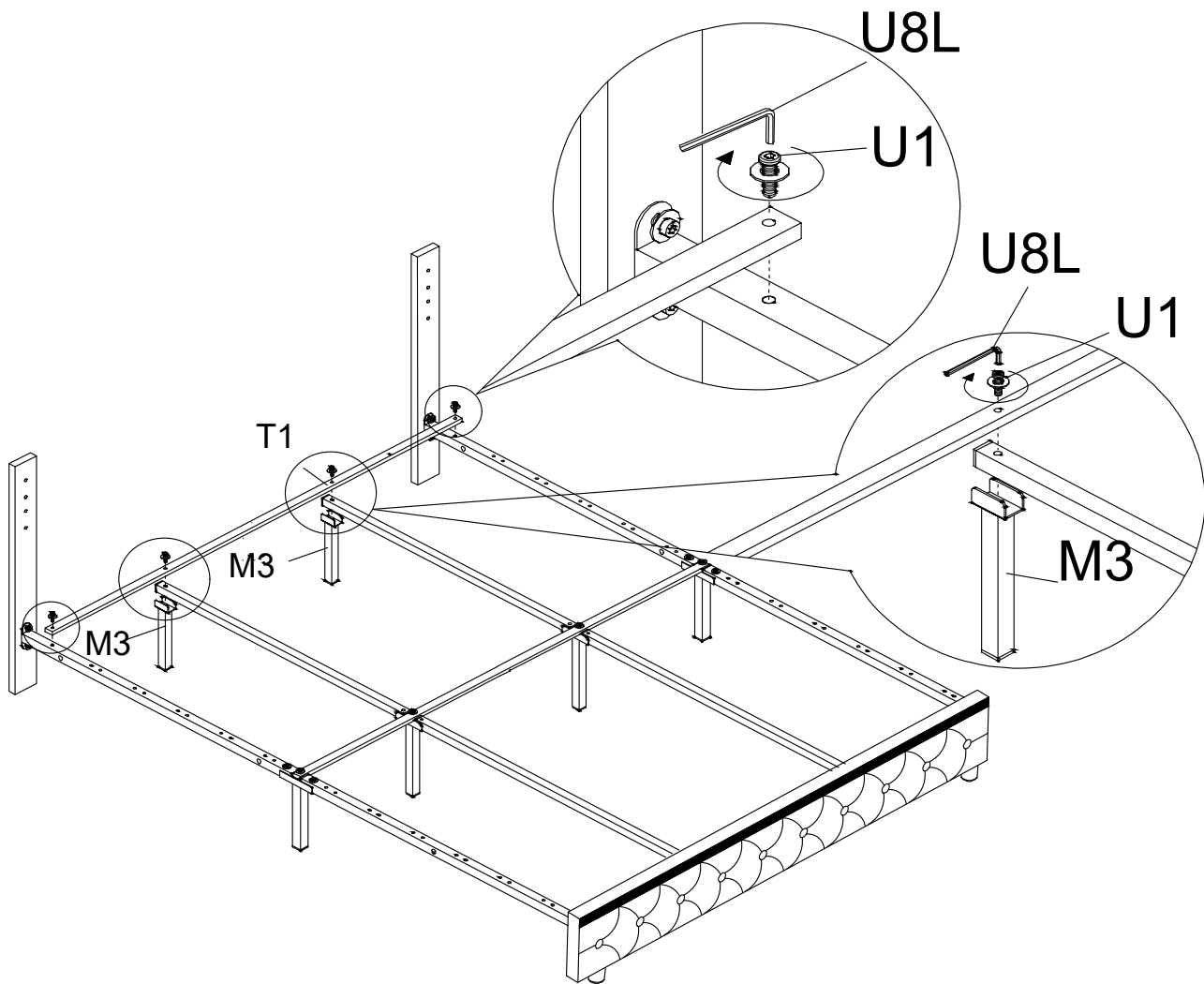


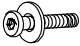

U8L x 1PC

Screws with small round pieces will make the bed more stable.

Assembly Instruction of (Bed)

STEP 7

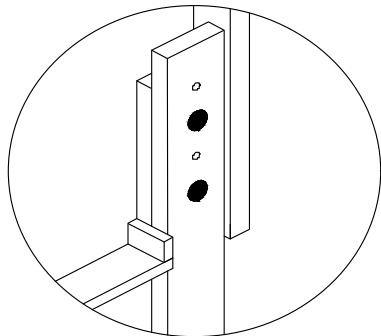
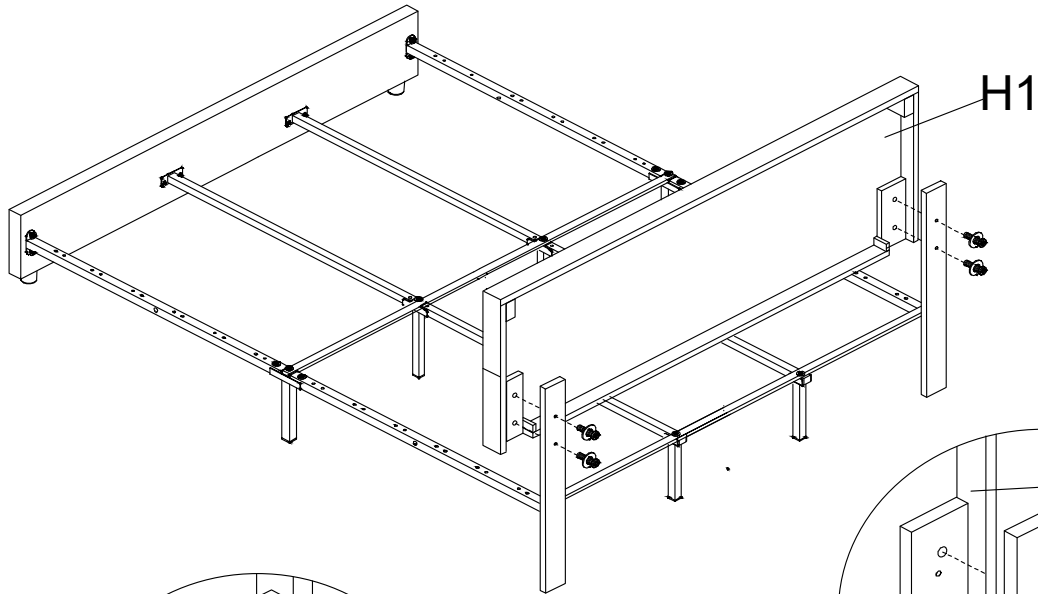


	U1 x 4PCS
	U8L x 1PC

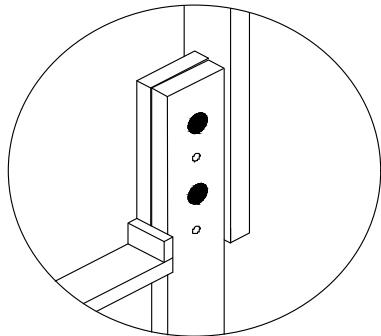
Screws with small round pieces will make the bed more stable.

Assembly Instruction of (Bed)

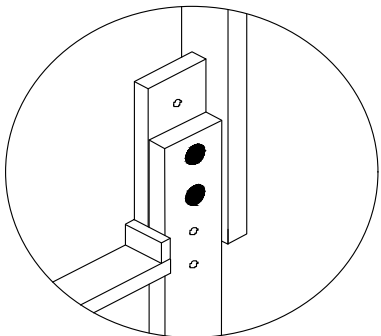
STEP 8 **IMPORTANT** : The washers are crucial for a tight fit. Do not forget to use them with the screws.



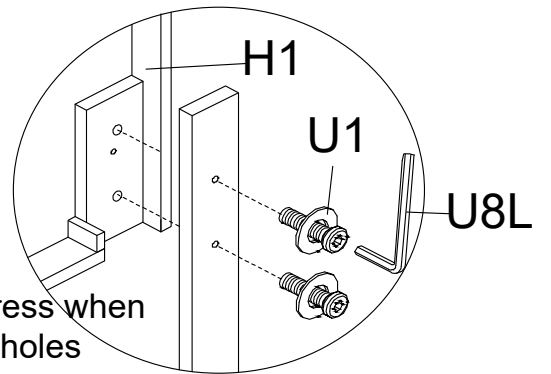
Fits a 8 inch thick mattress when attach screws to these holes





Fits a 10 inch thick mattress when attach screws to these holes



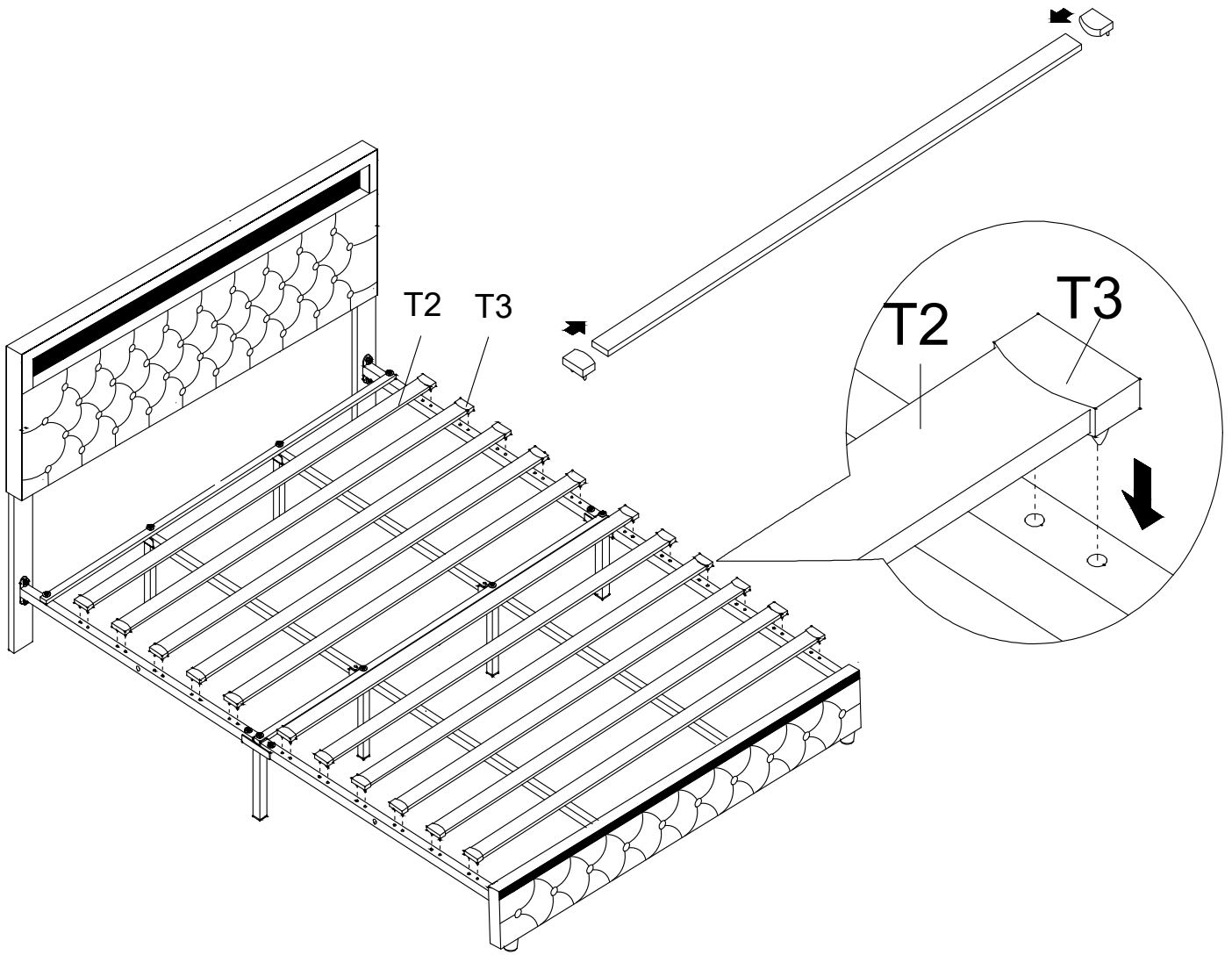
Fits a 12 inch thick mattress when attach screws to these holes



	U1 x 4PCS
	U8L x 1PC

Assembly Instruction of (Bed)

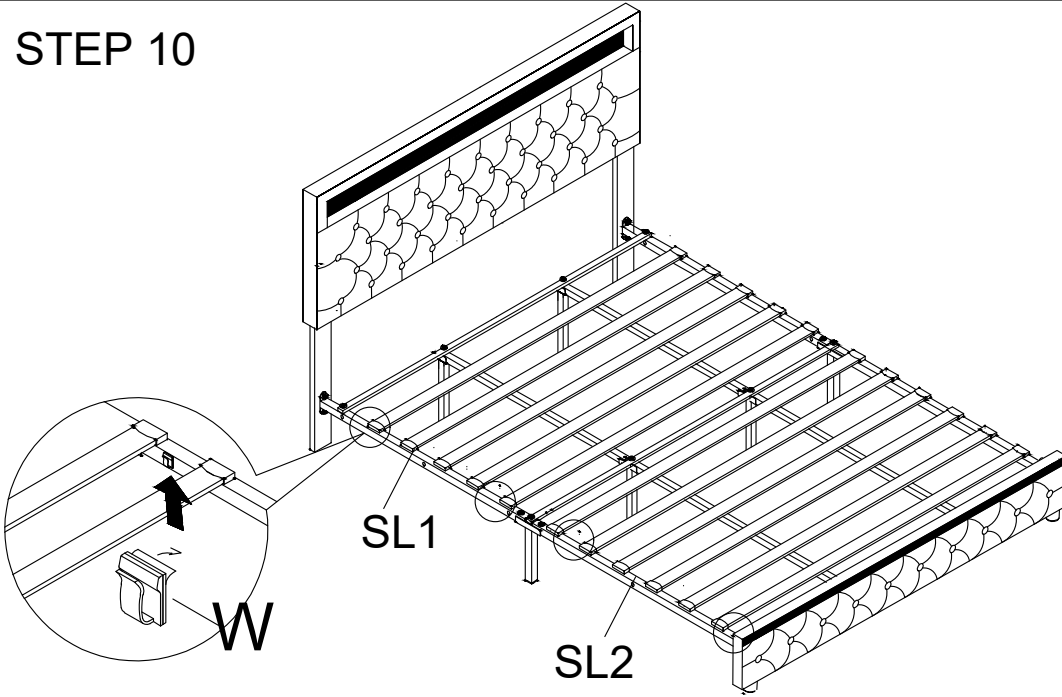
STEP 9



T3 X 22PCS

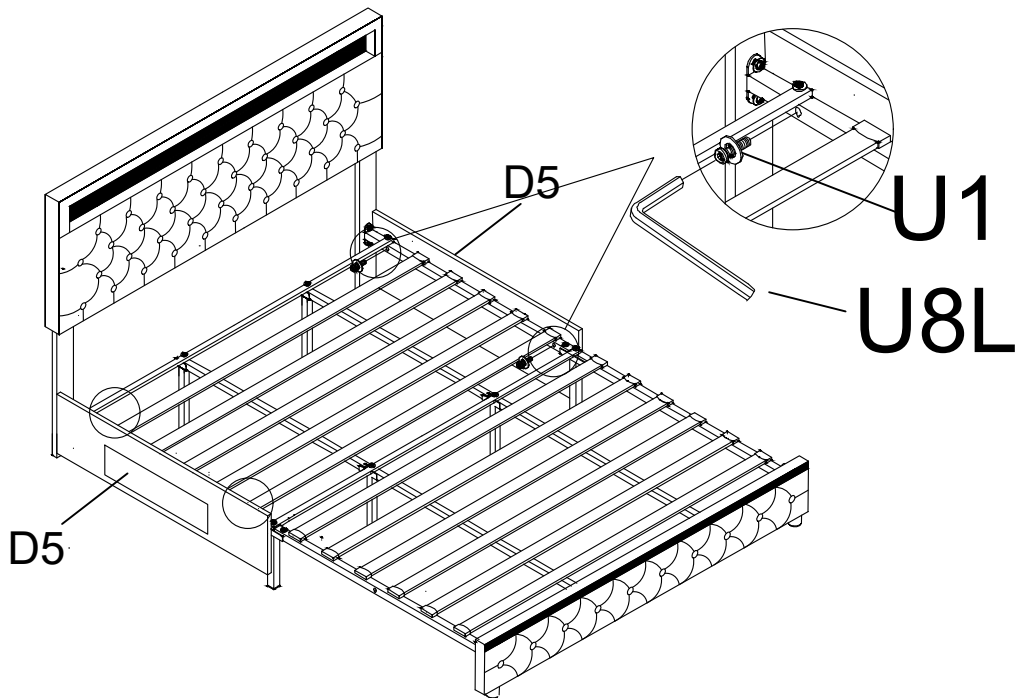
Assembly Instruction of (Bed)

STEP 10



W x 4PCS

STEP 11



U1 x 4PCS



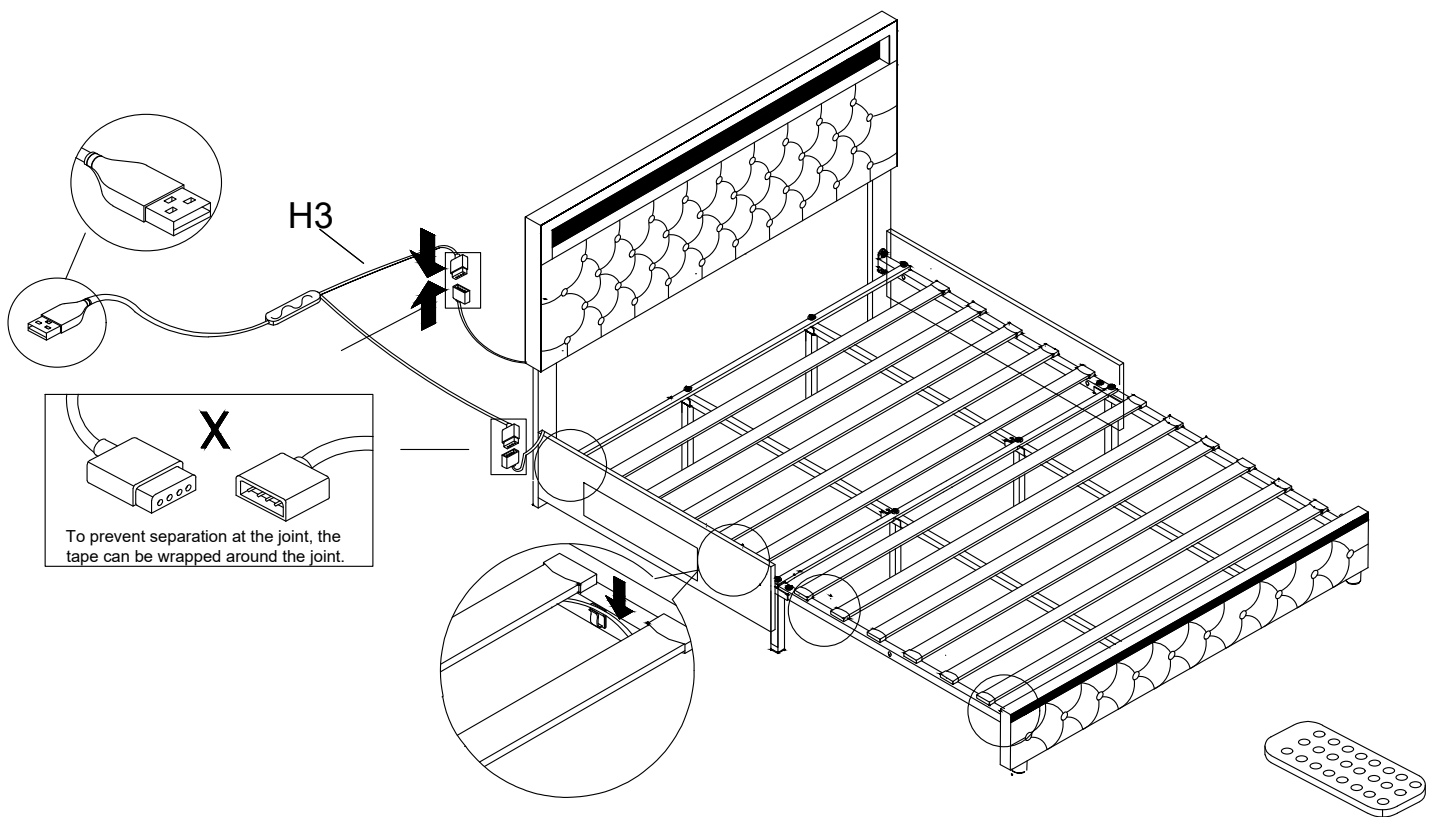
U8L x 1PC

Assembly Instruction of (Bed)

STEP 12

The hocks need to be attached to the inside of the frame

Tips: To prevent separation at the joint, the tape can be wrapped around the joint.



Please scan the QR code on the manual/controller and install the application.

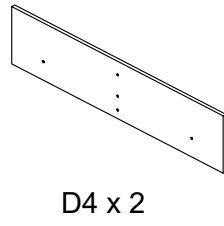
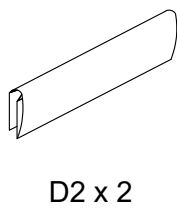
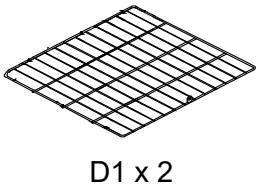
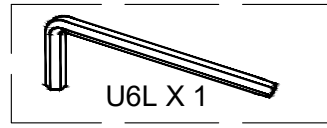
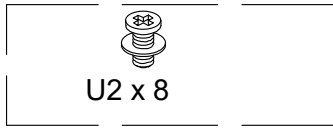
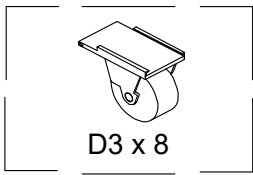
Step1: Please make sure that Bluetooth is enabled on your device

Step2: The LED light will automatically connect to the APP

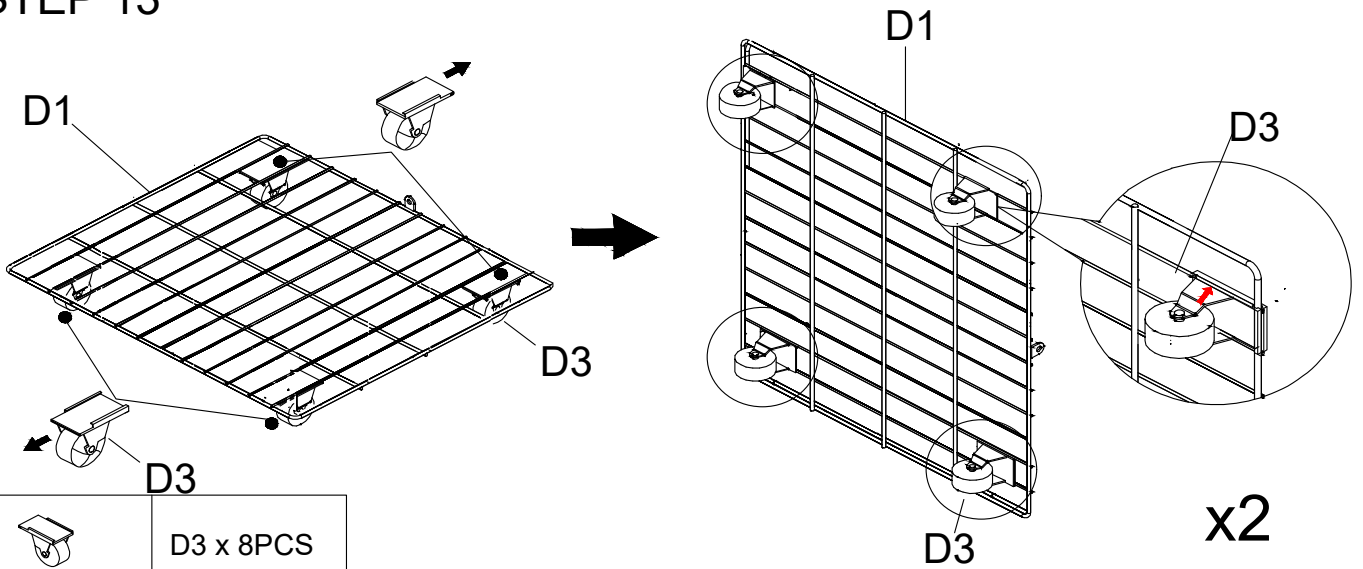


H3 X 1SET

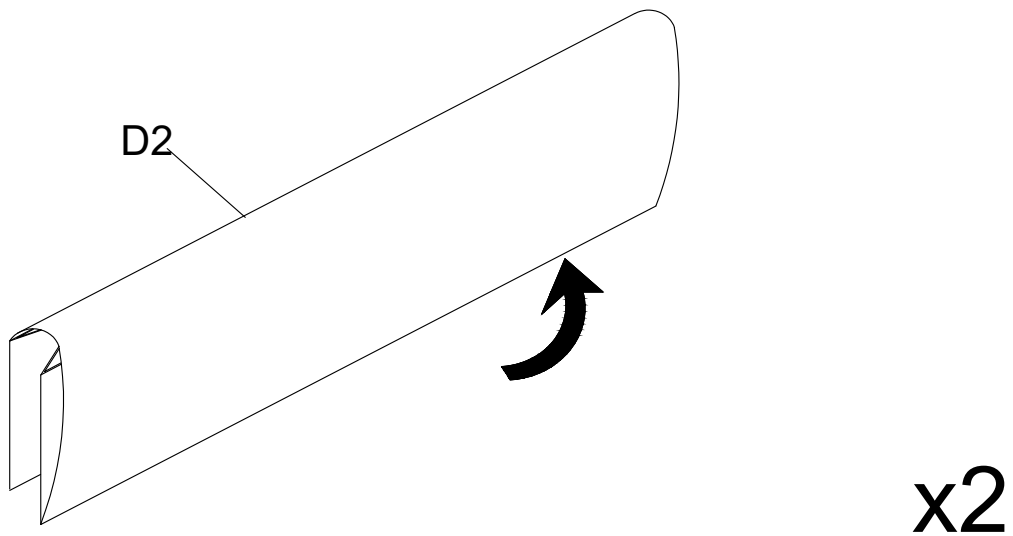
Assembly Instruction of (Drawer)



STEP 13

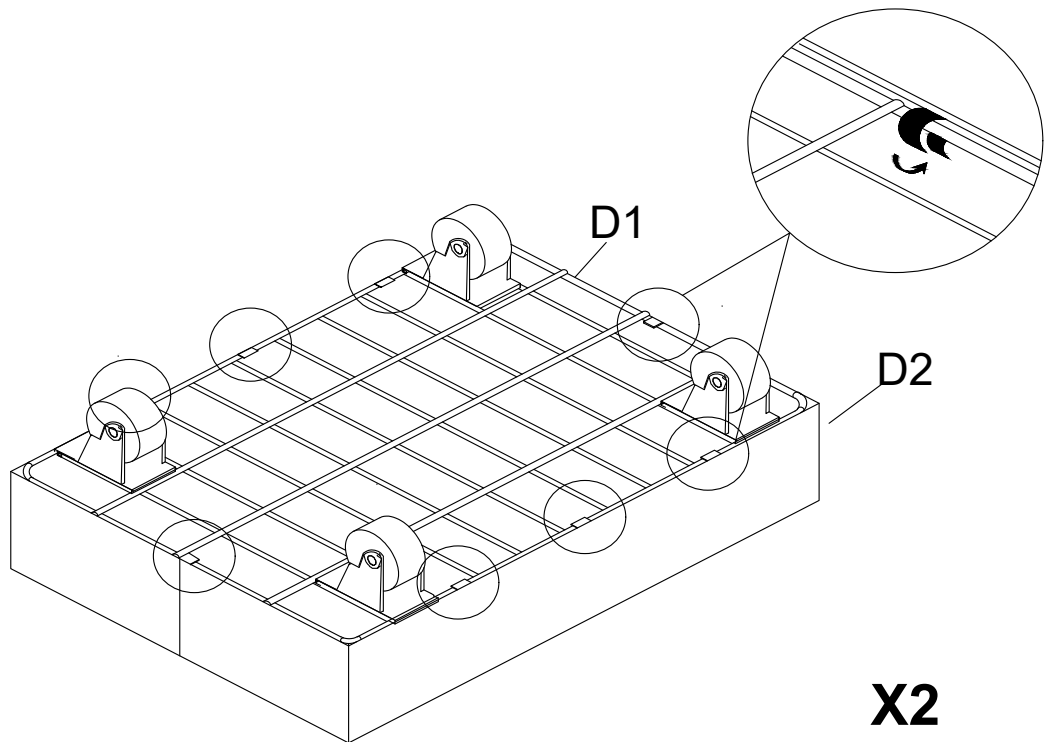


STEP 14

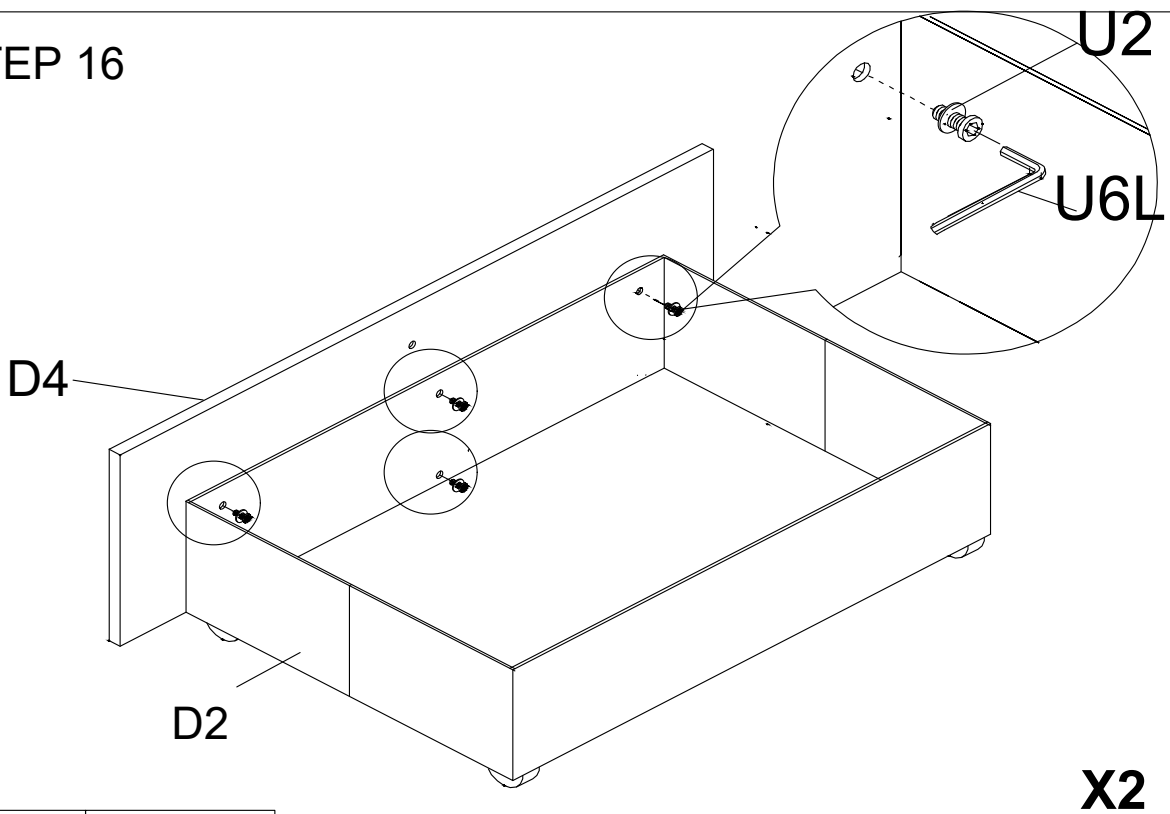




Assembly Instruction of (Drawer)

STEP 15



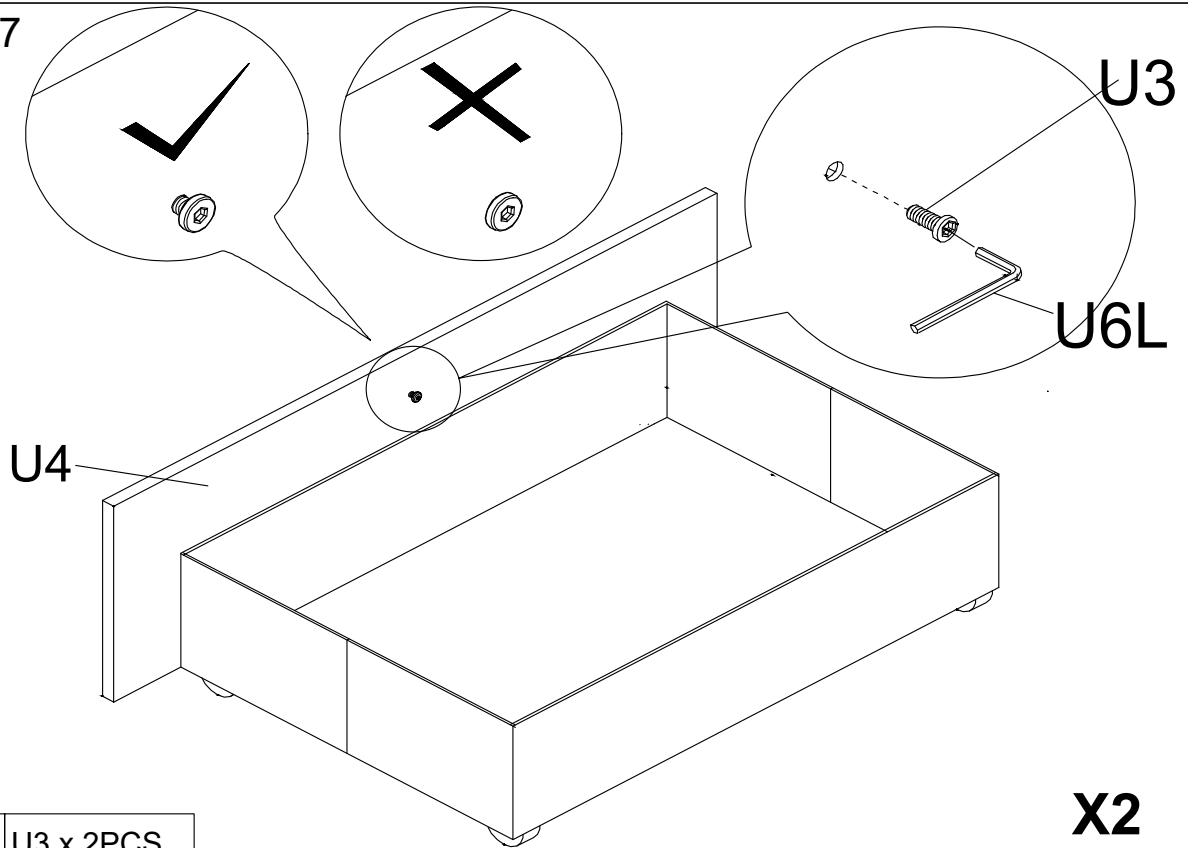
STEP 16

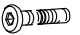



	U2 x 8PCS
	U6L x 1PC

Assembly Instruction of (Drawer)

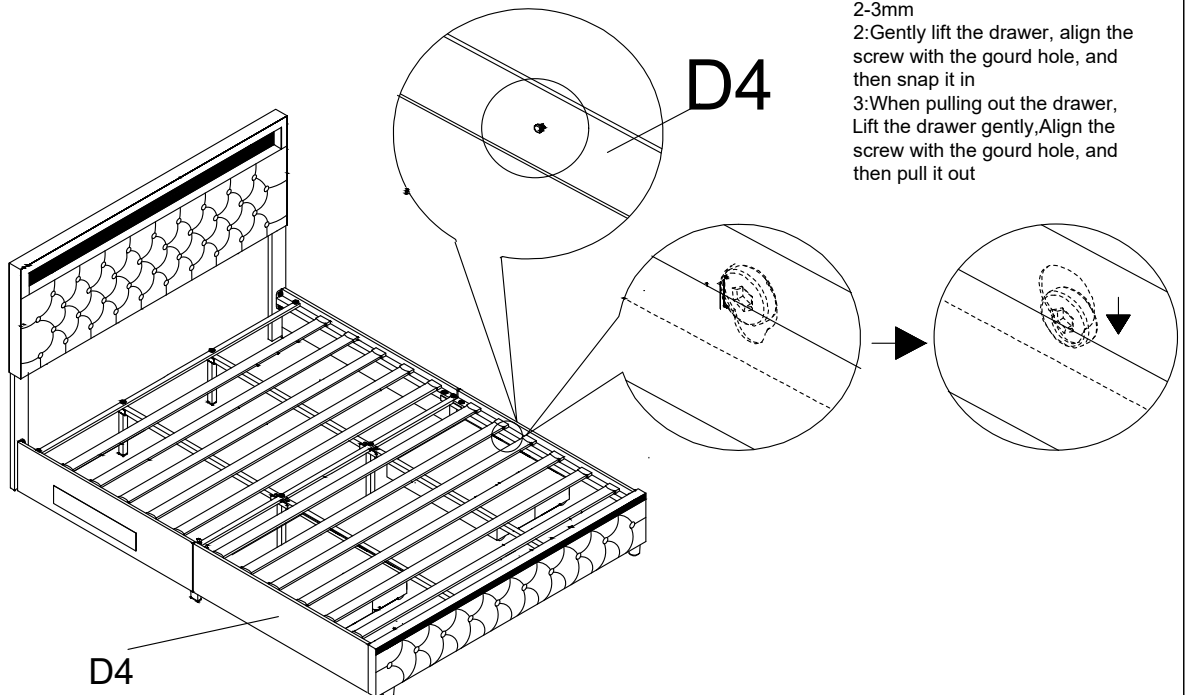
STEP 17



	U3 x 2PCS
	U6L x 1PC

X2

STEP 18 Drawer panel screw hang into side cross beam hole.



- 1: This screw must be turned out slightly, leaving a distance of 2-3mm
- 2: Gently lift the drawer, align the screw with the hole, and then snap it in
- 3: When pulling out the drawer, lift the drawer gently, align the screw with the hole, and then pull it out