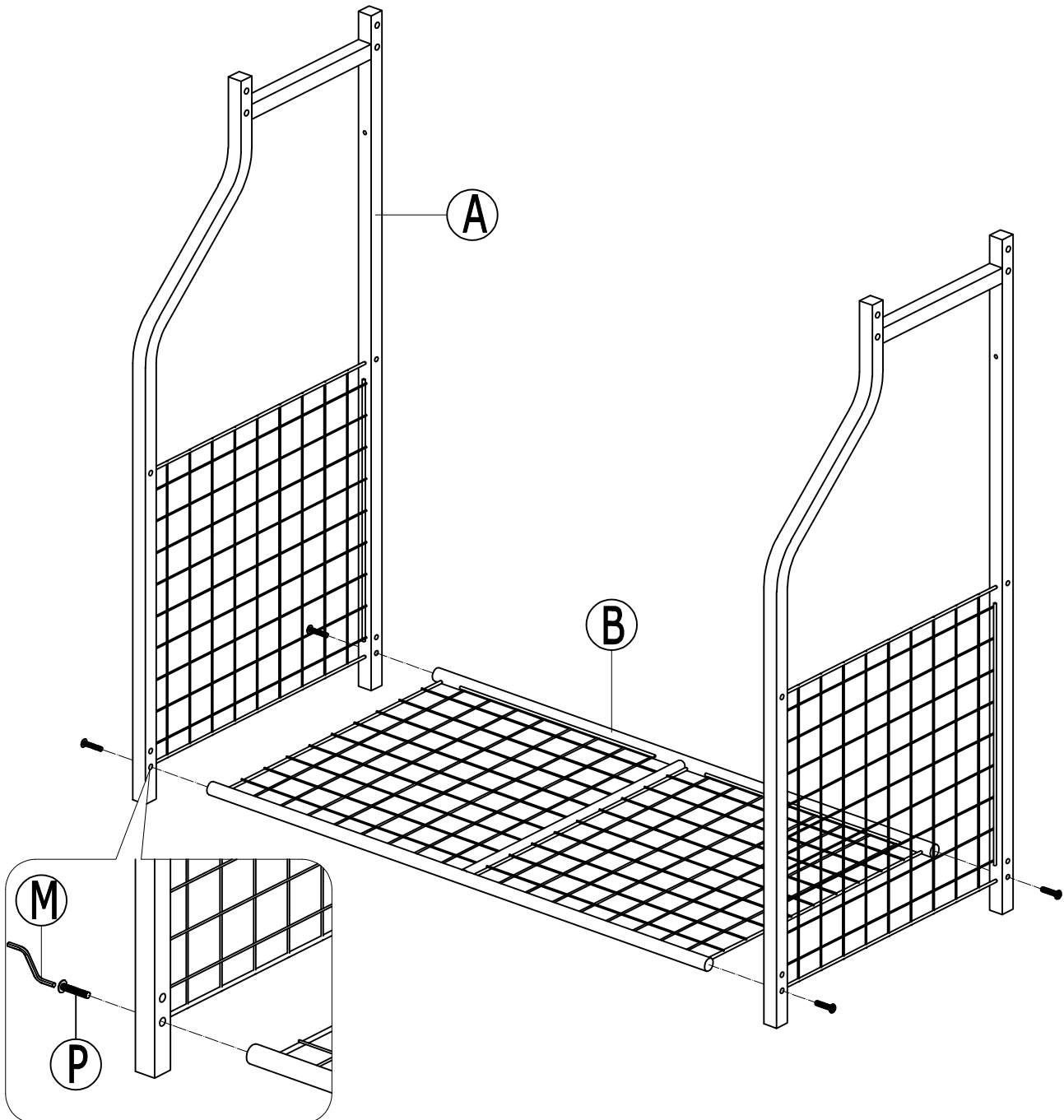
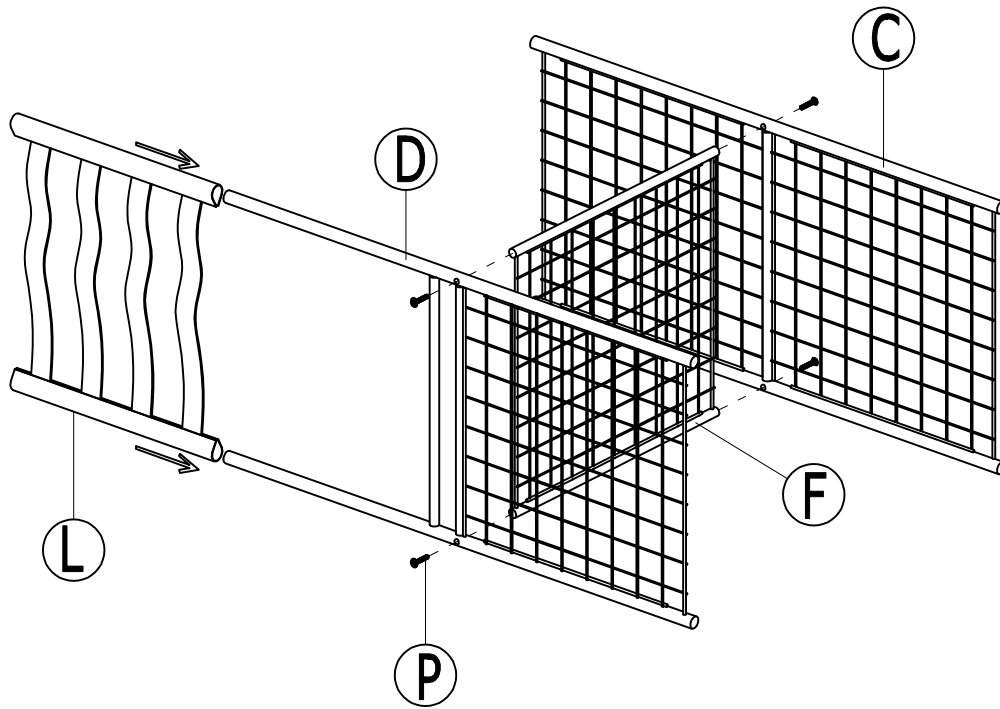


Ax2 	Bx1 	Cx1 	Dx1 	Ex1 	Fx1 	Gx1 	Hx1 	Ix1 	Jx1
	*Bottom Frame 	*Side Frame 		*Small Lx1 	Kx2 	*Big Mx1 	Ox4 	Px26 	Qx4
				*Elastic Stretches Bin Nx1 			Rx4 	Sx2 	Tx2

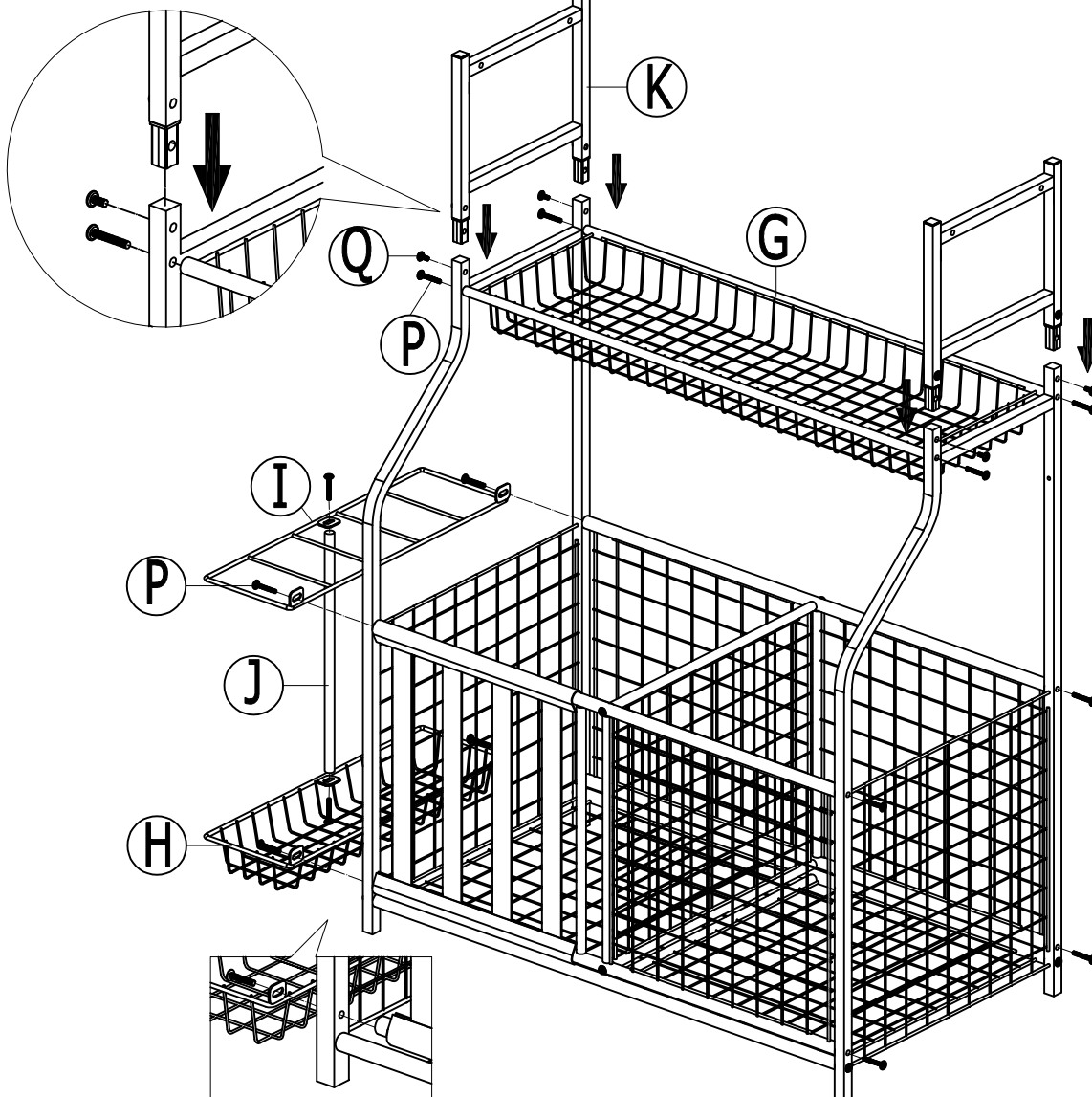
Step 1



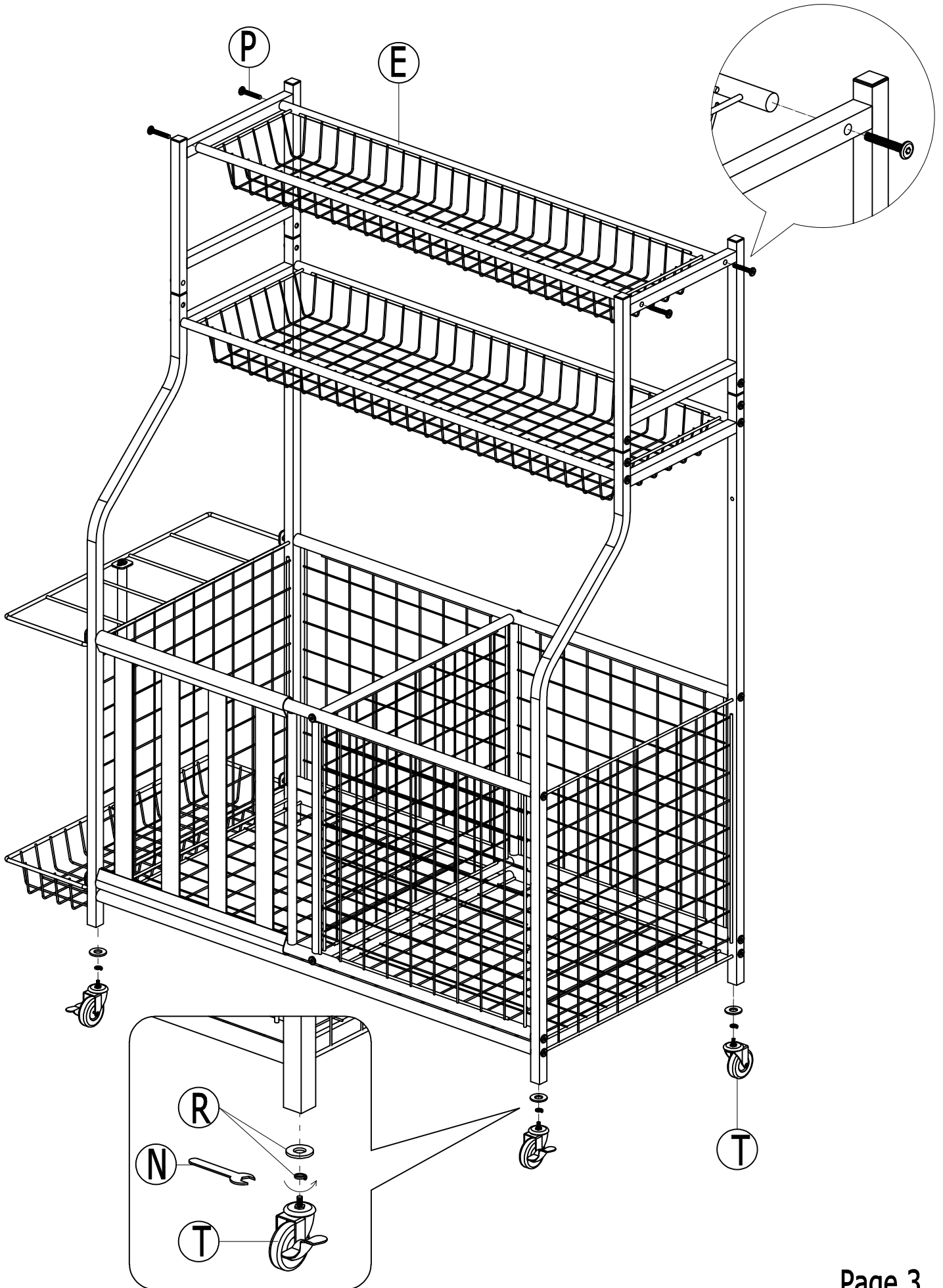
Step 2



Step 3



Step 4



Step 5

