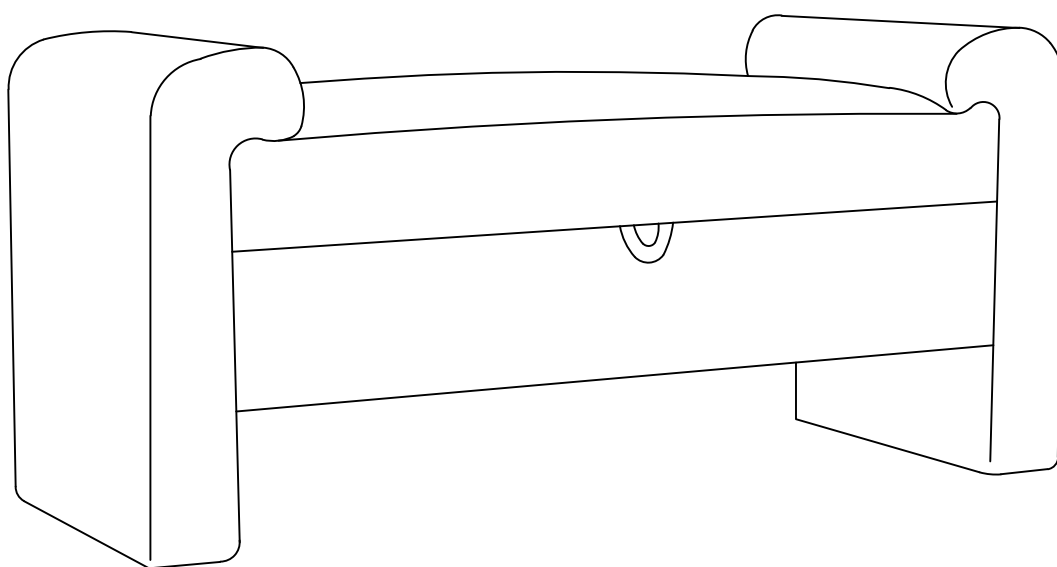


Owner Manual

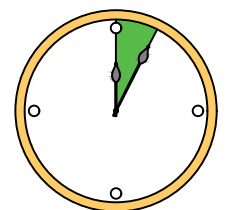


NOTE:

This brochure contains IMPORTANT safety info. Please read and keep for future reference.

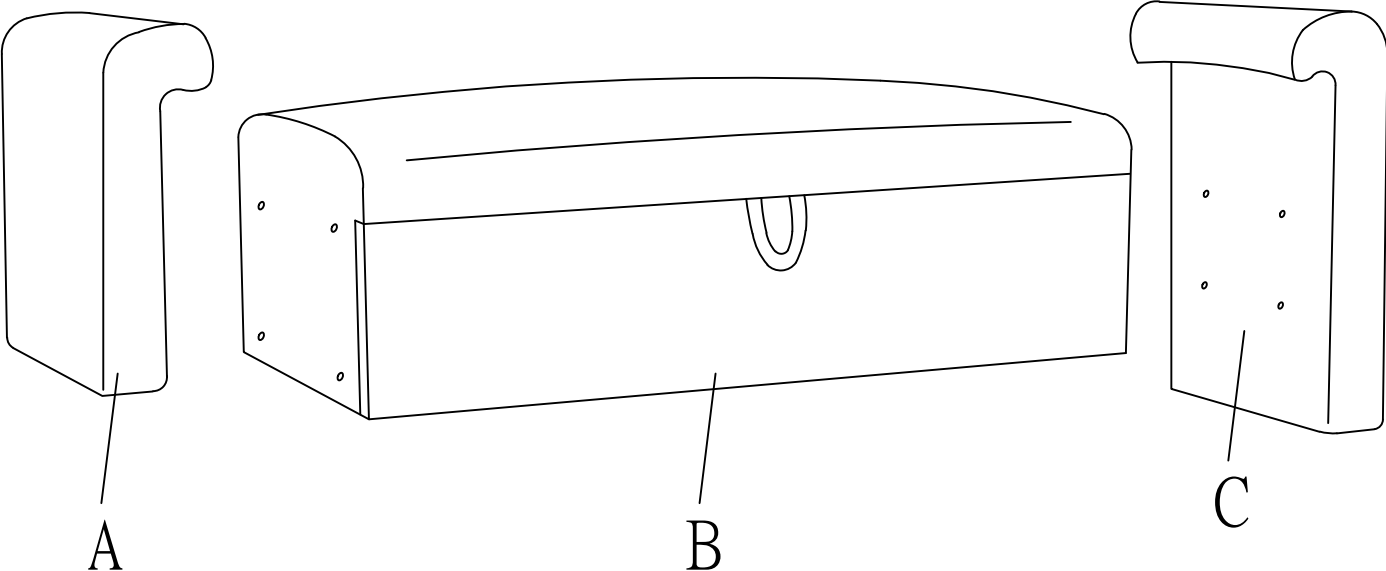
MAINTAINANCE AND WARNING

- 1.Keep furniture away from heat sources.
- 2.Do not clean furniture with harsh cleaner or polishes.Do not use detergents,solvents,abrasives,spray packs or leather cleaner. Use non-color mild soa with warm water to clean spills(Mix 1:10 soap to water).
- 3.Do not place furniture under direct sunlight,material will possibly fade over time.
- 4.Do not use on site dry cleaning machine.Children should not climb or jump on the furniture.
- 5.Do not write on furniture that is not protectedby a padded barrier.
- 6.Not for commercial use,only for residential use.




Around 5 min

EXPLOSIVE VIEW

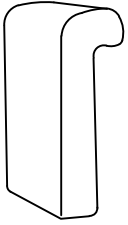

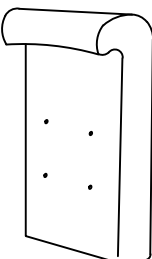


1PERSONEN

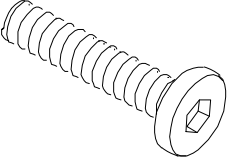
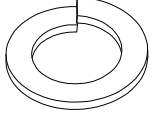
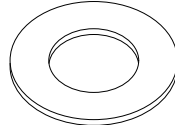


A rounded rectangular box containing the text "1PERSONEN" at the top and a simple line-art icon of a person standing below it.

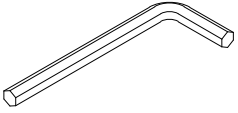
PARTS LIST

A	x1	B	x1	C	x1
					

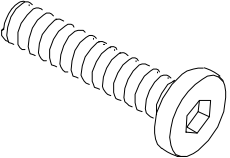
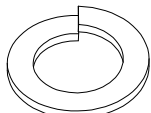
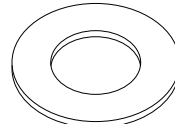
HARDWARE LIST

#1	x8	#2	x8	#3	x8
					
M6*40mm		M6*12mm		M6*19mm	

TOOL LIST

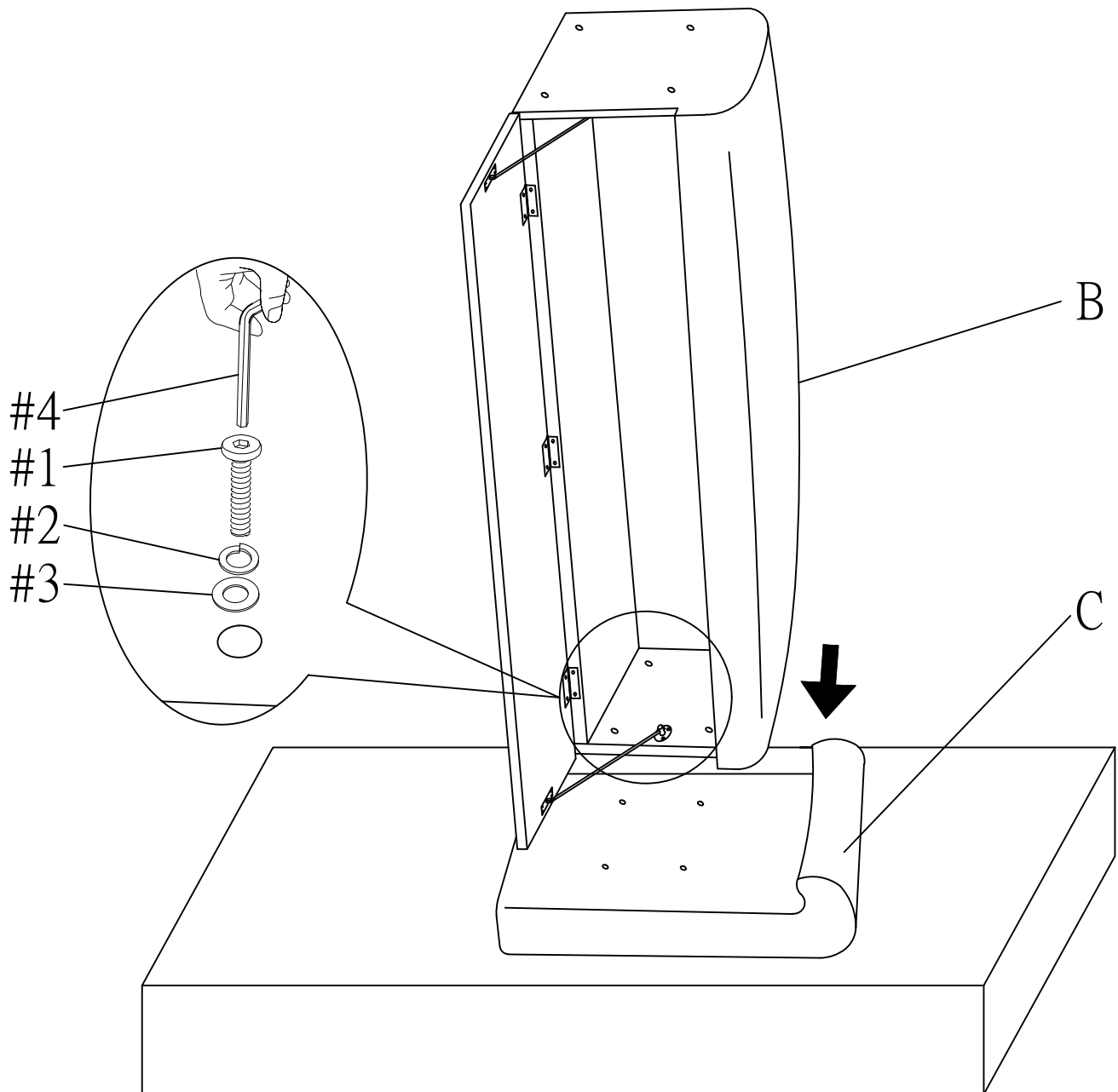
#4	x1
	
4MM*57L	

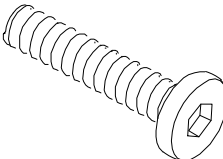
HARDWARE SPARE LIST

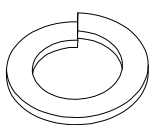
#1	x1	#2	x1	#3	x1
					
M6*40mm		M6*12mm		M6*19mm	

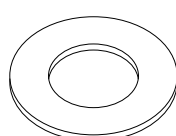
ASSEMBLY INSTRUCTIONS

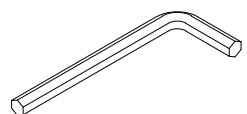
STEP-1



#1	x4
	
M6*40mm	

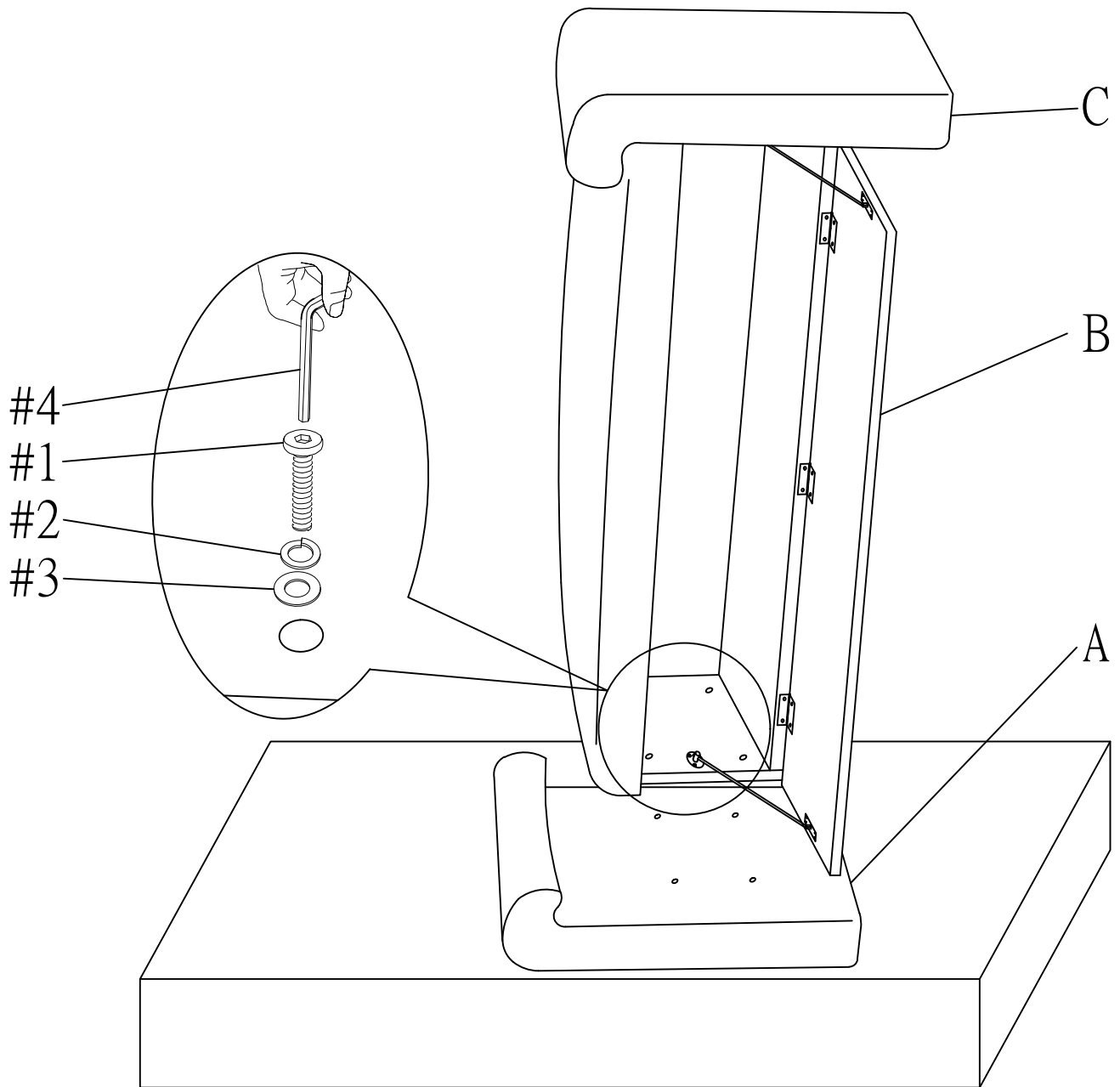
#2	x4
	
M6*12mm	

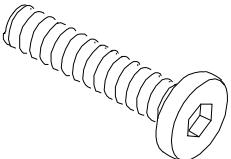
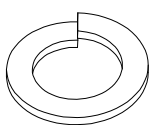
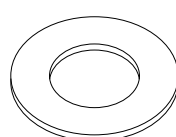
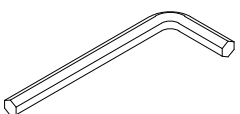
#3	x4
	
M6*19mm	

#4	x1
	
4MM*57L	

ASSEMBLY INSTRUCTIONS

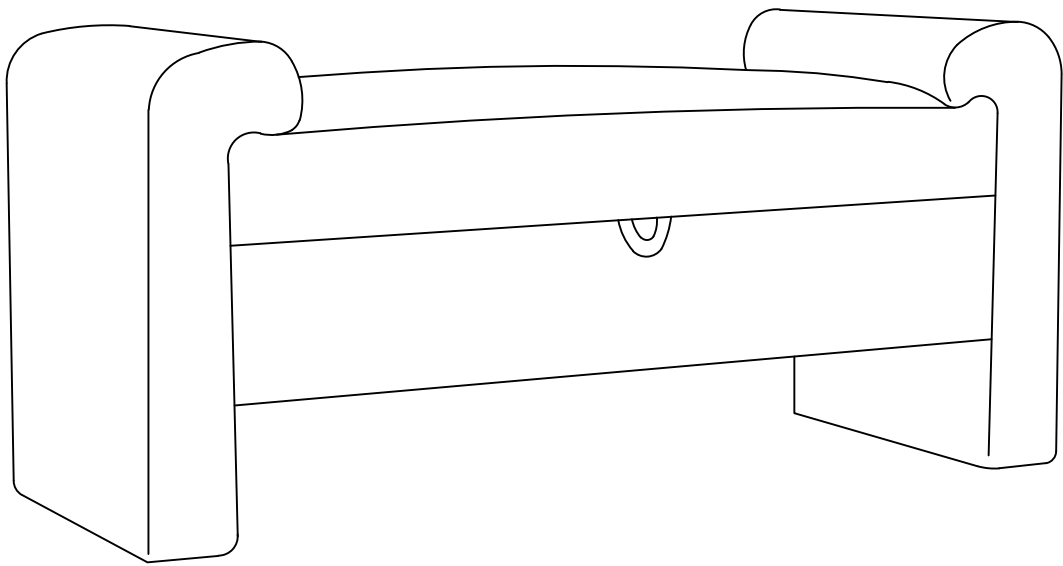
STEP- 2



#1	x4	#2	x4	#3	x4	#4	x1
							
M6*40mm		M6*12mm		M6*19mm		4MM*57L	

ASSEMBLY INSTRUCTIONS

STEP- 3



Assembly completed.

WARRANTY

1. We strive to offer high-quality products, and we also try our best to satisfy each and every customer that orders from us with product or service as needed.
2. We provide 30 days warranty starting from the time you receive the item. Each customer must provide a record of their order such as the order number, or item receipt for any items that are out of the warranty period you may also still receive.
3. Replacement parts by purchasing them with our company if they are available.