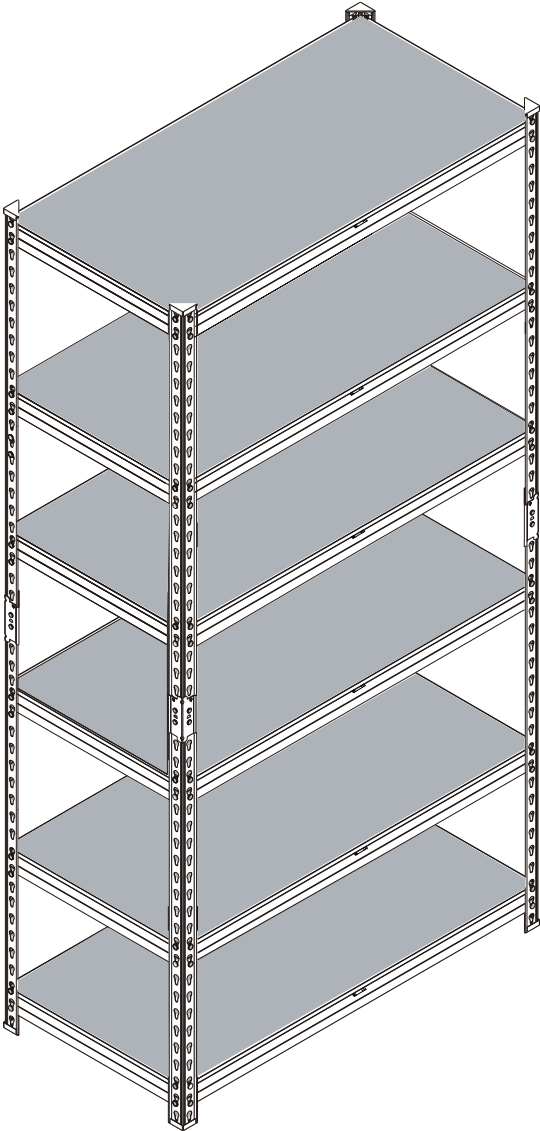
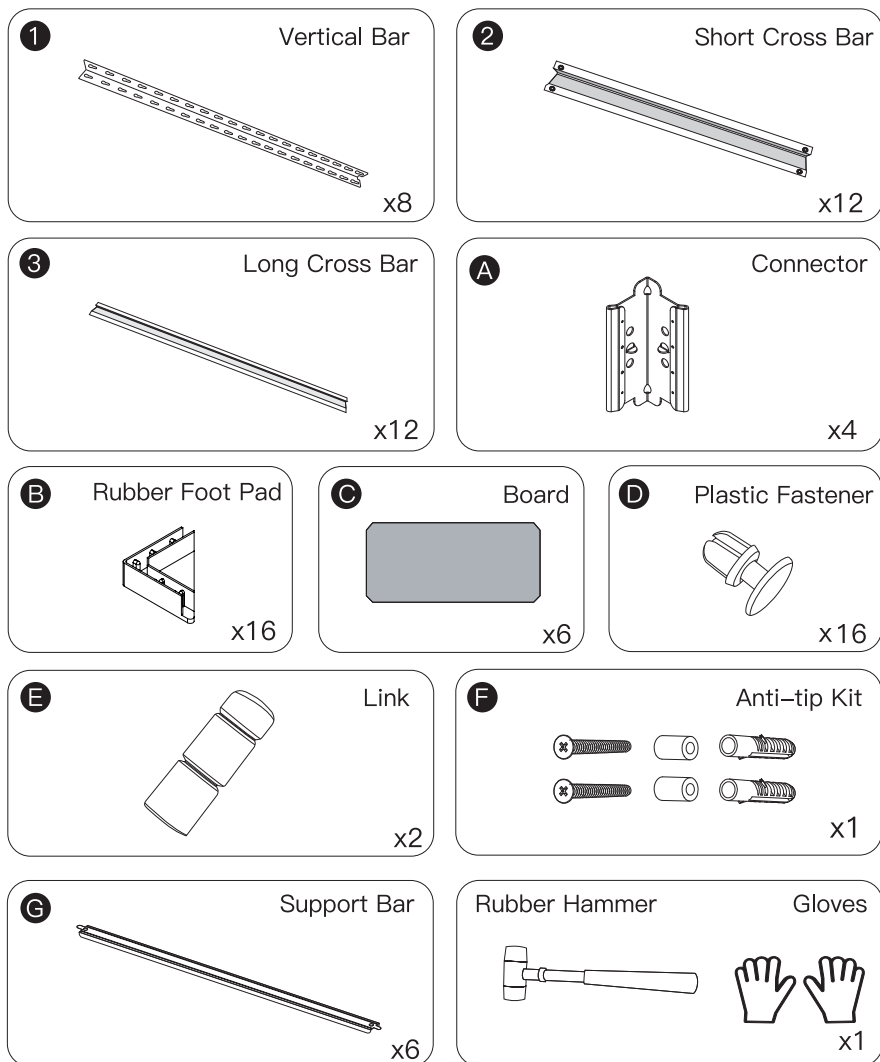


ASSEMBLY INSTRUCTION



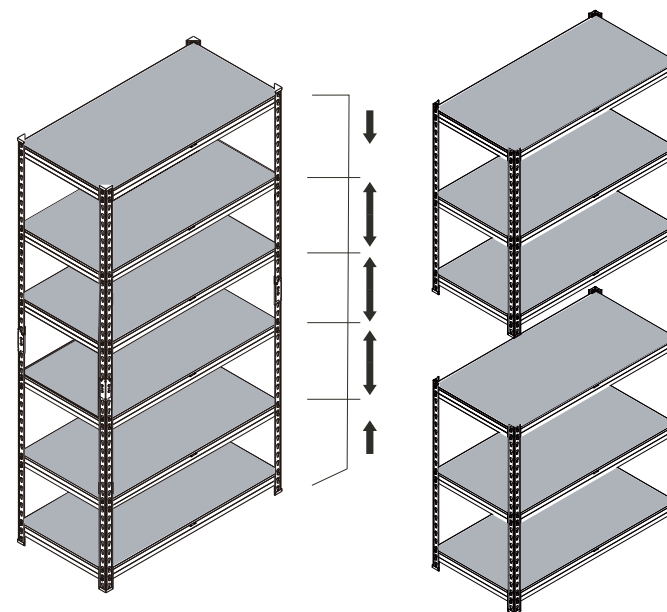
Please check all parts and accessories according to the parts list before assembling, make sure all contents are sufficient and in good condition. If there is any parts missing or defective, please contact us immediately with purchase platform message to get replacement parts.

PARTS:



REMARK:

1. The heights of steel boards is highly adjustable which you can customize according to your needs during installation.
2. It's able to be separated into 2 independent shelves.
3. For longer usage lifespan, please place the product in a cool and dry environment.
4. For safety concerns, **DO NOT** stack too high on the top shelf.
5. Please **DO NOT** place items heavier than the maximum weight described on the product page.
6. **Wear gloves** before installation.
7. Every Cross Bar (part 2 & 3) installing in same step must be at the same height.

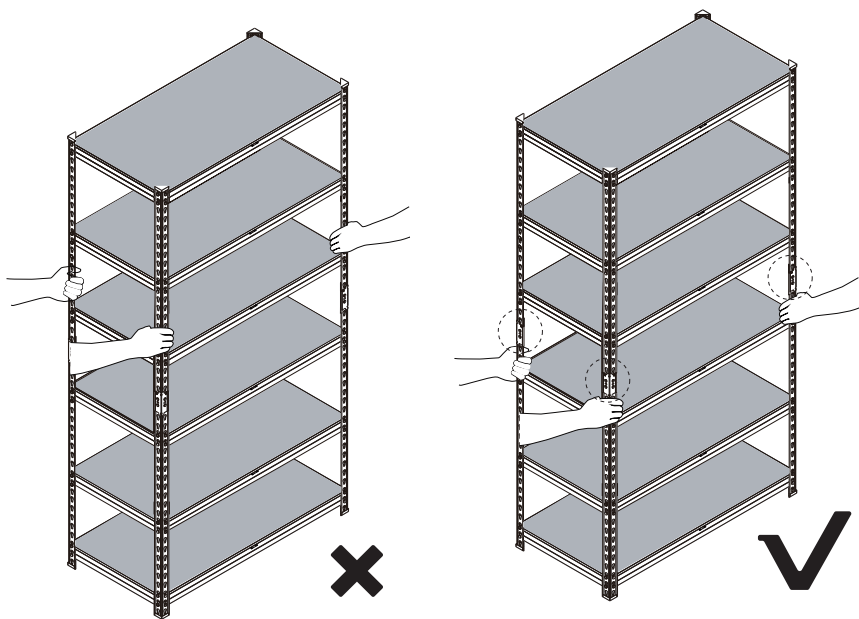




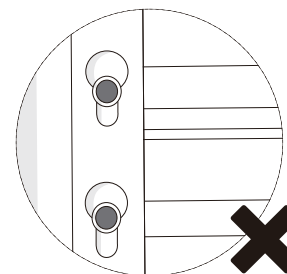
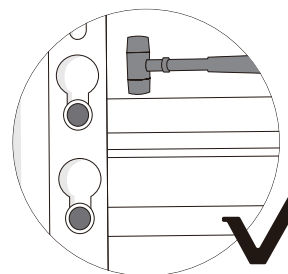
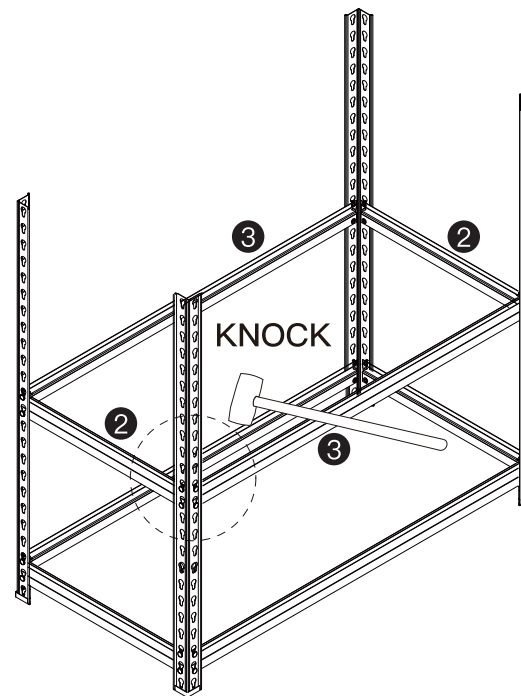
WARNING

(1) Please **do not** install cross bars at the connection of the vertical bars.

(2) For safety concerns, please hold the lower part under the connectors when moving the shelves.



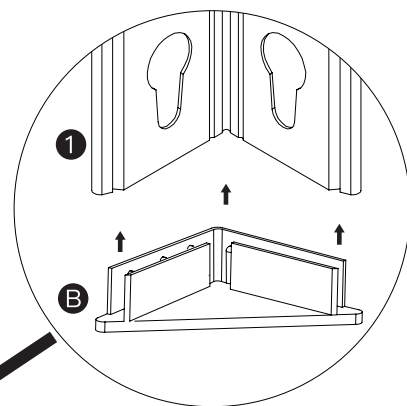
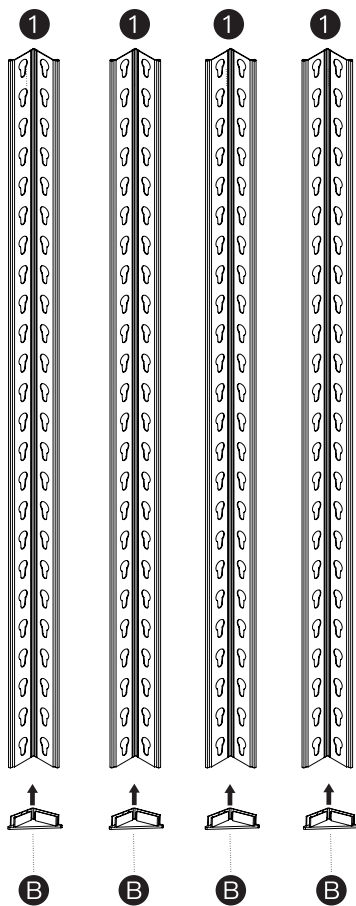
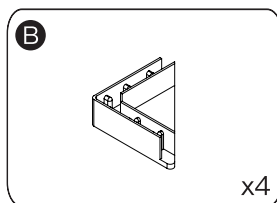
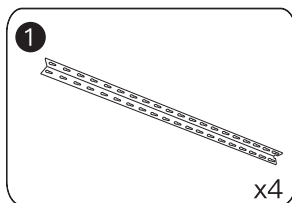
(3) For the overall stability of shelves, every cross bar (② & ③) must be knocked fully tight into the end while installing.



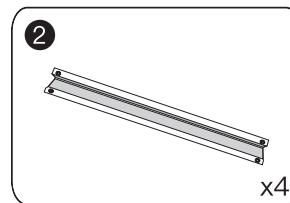
HOW TO INSTALL

Note: Please wear gloves before installation.

STEP 1



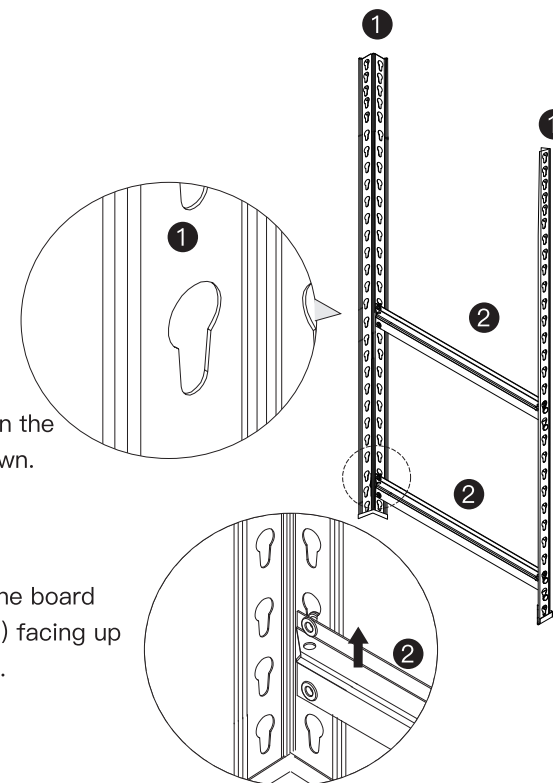
STEP 2



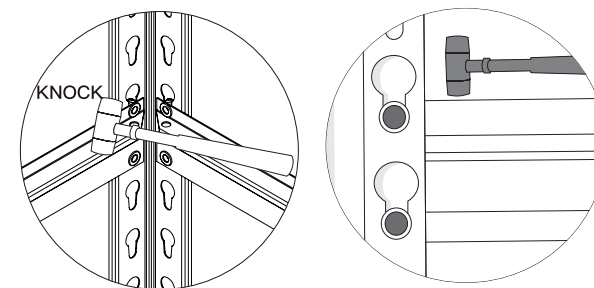
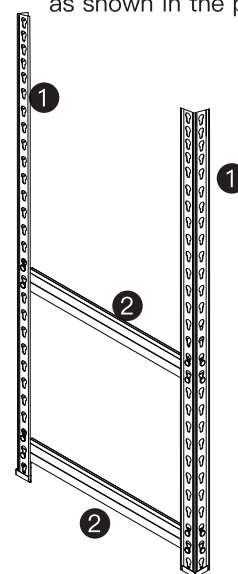
! NOTICE

A: Make sure small holes on the long vertical bar facing down.

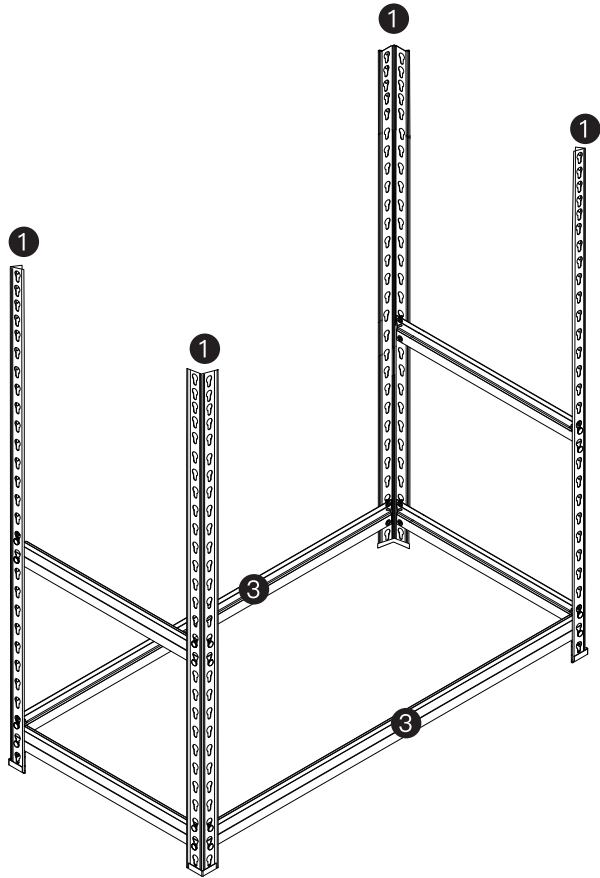
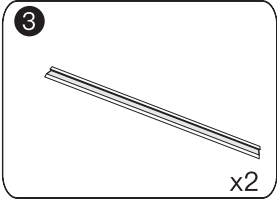
B: Put the flat side of the board support cross bar (2) facing up as shown in the picture.



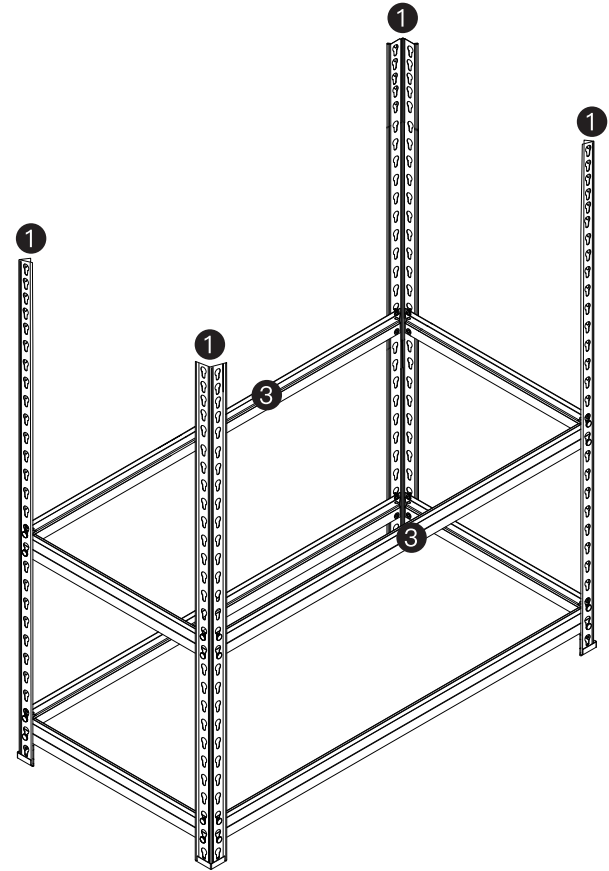
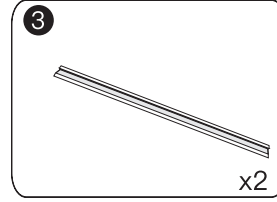
C: Knock on cross bar (2) with rubber hammer until the bar covered the small holes completely.



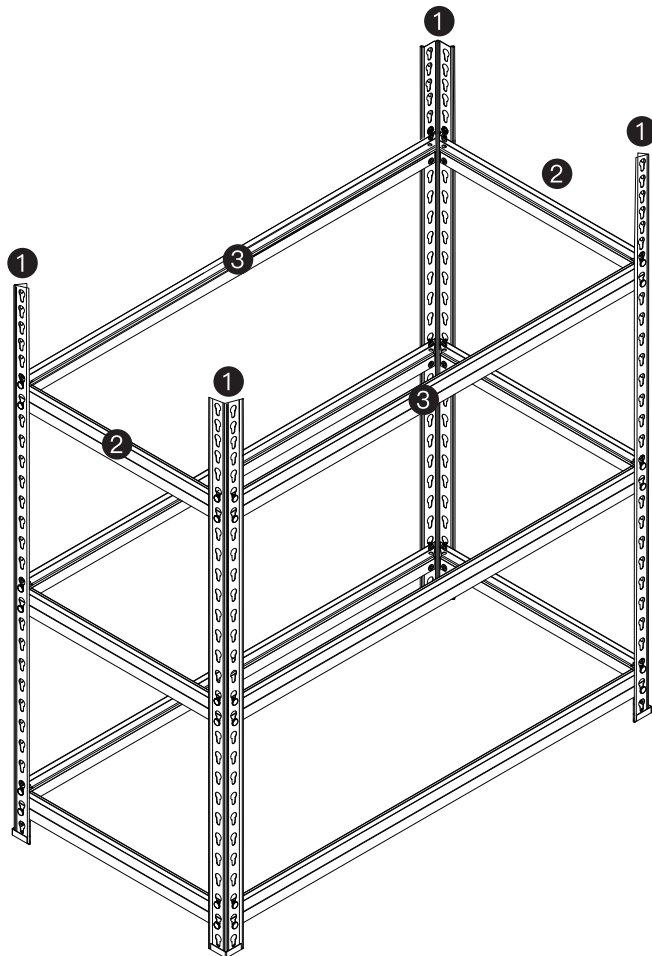
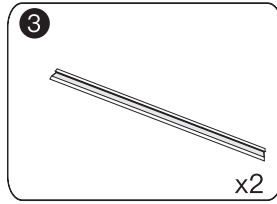
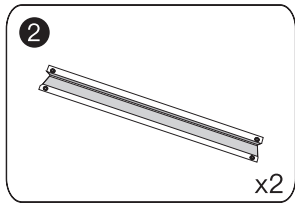
STEP 3



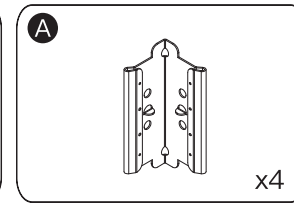
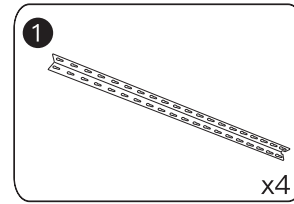
STEP 4



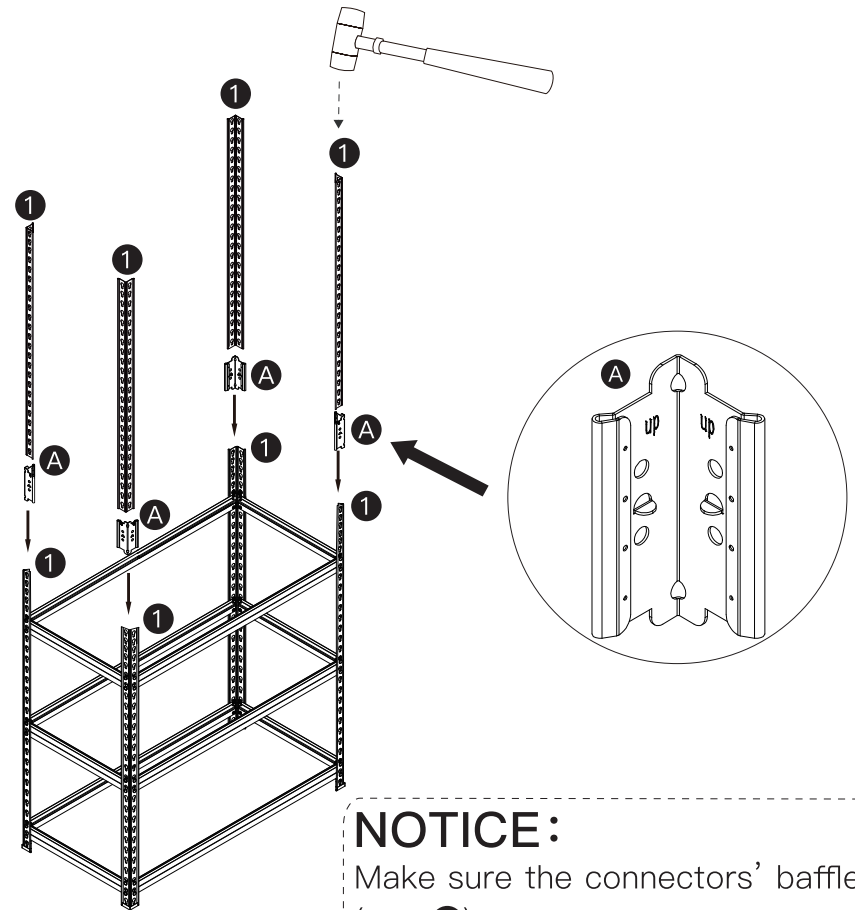
STEP 5



STEP 6



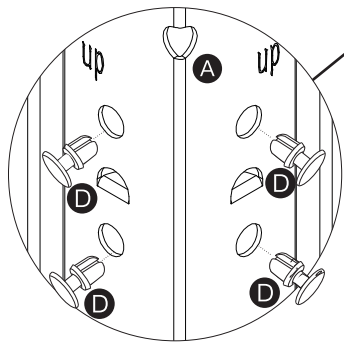
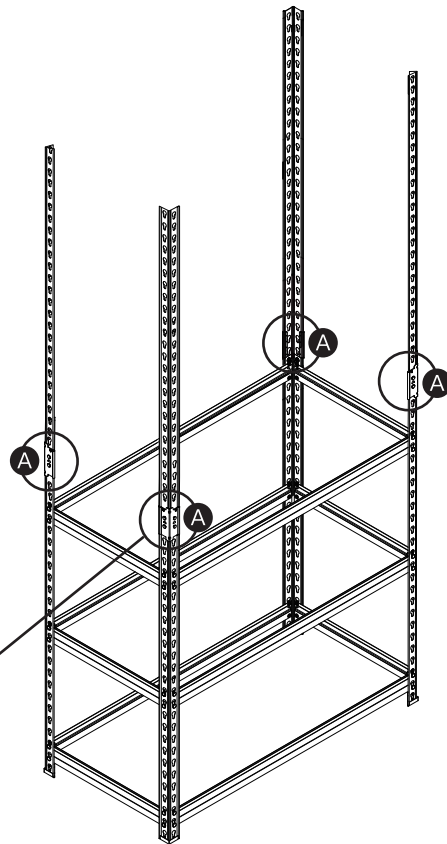
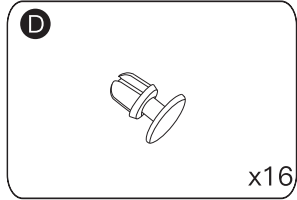
KNOCK



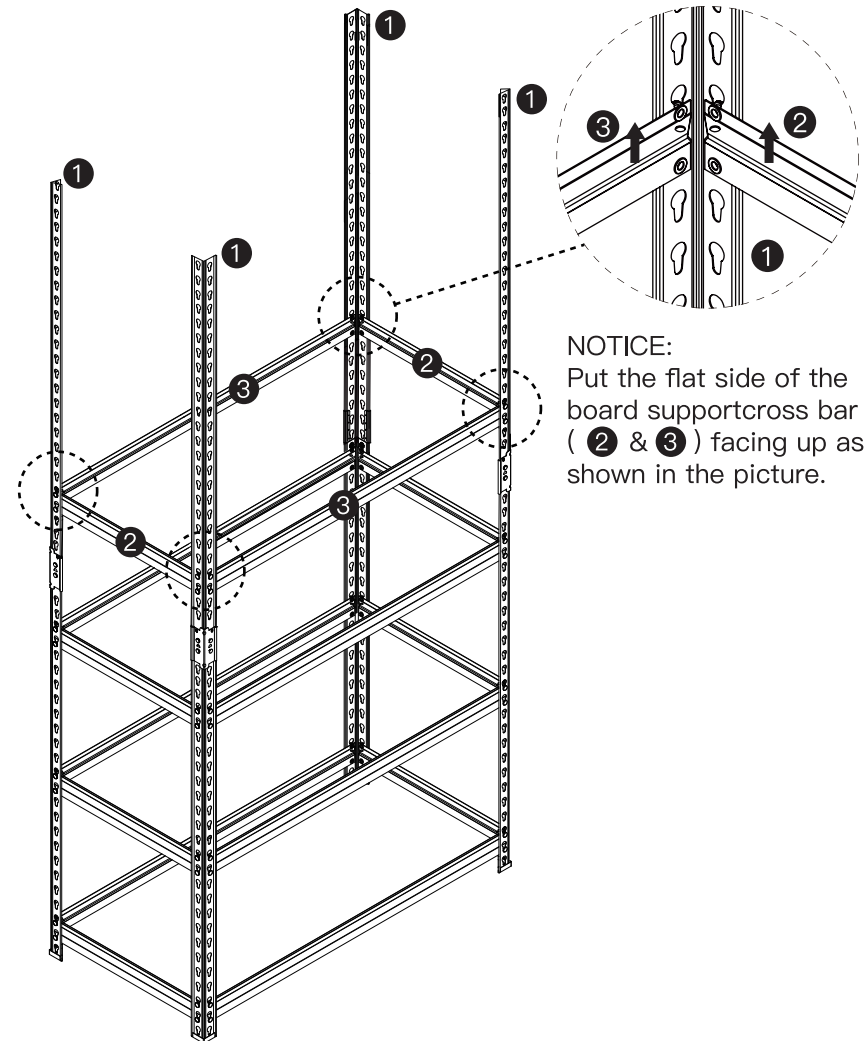
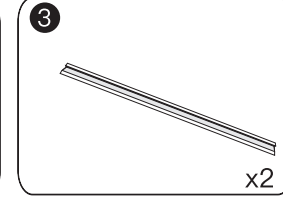
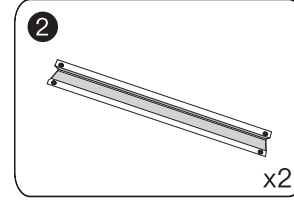
NOTICE:

Make sure the connectors' baffle (part A) engages the edge of the vertical bar (part 1).

STEP 7

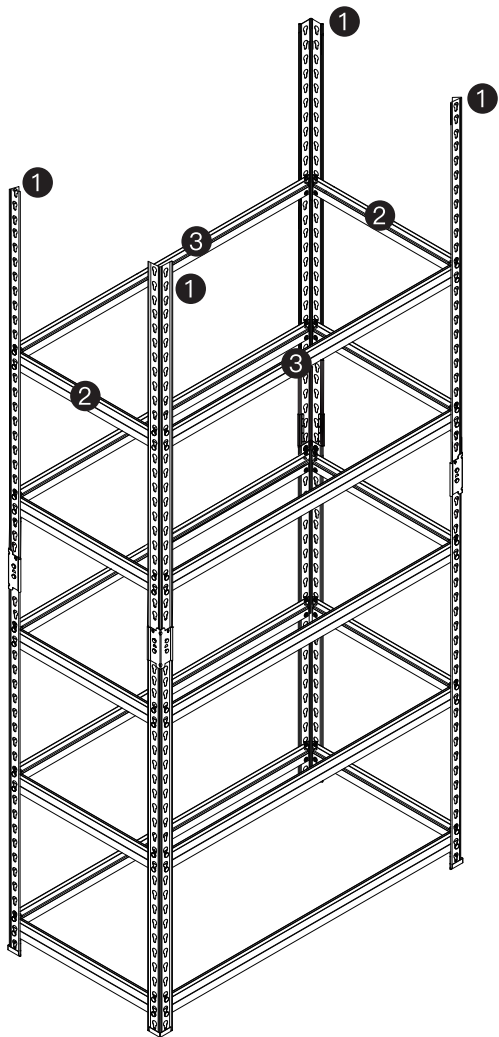
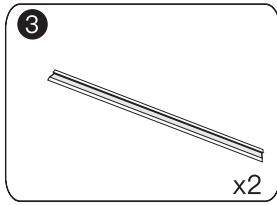
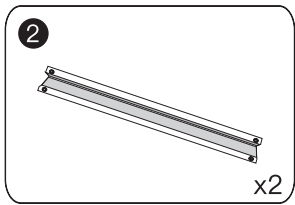


STEP 8

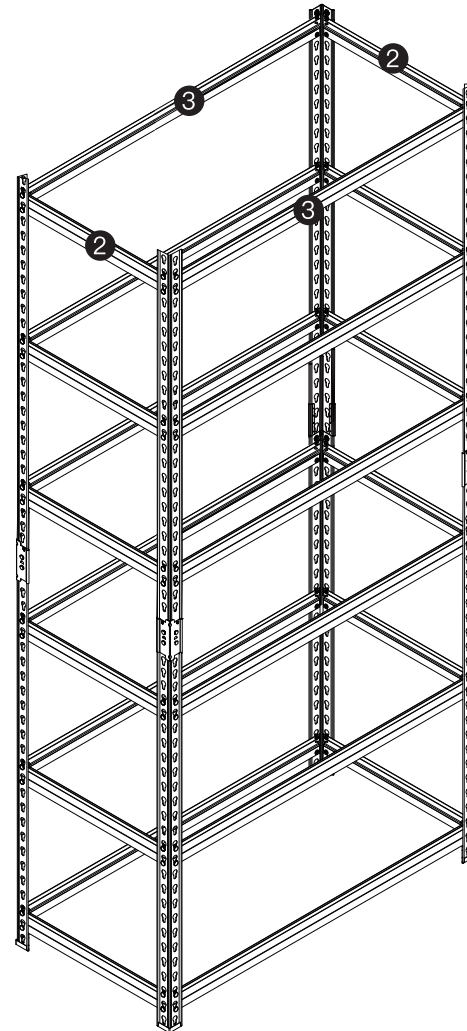
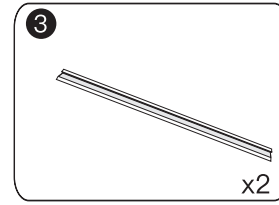
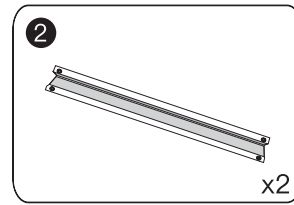


NOTICE:
Put the flat side of the board support cross bar (2 & 3) facing up as shown in the picture.

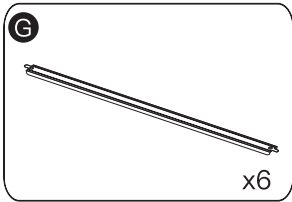
STEP 9



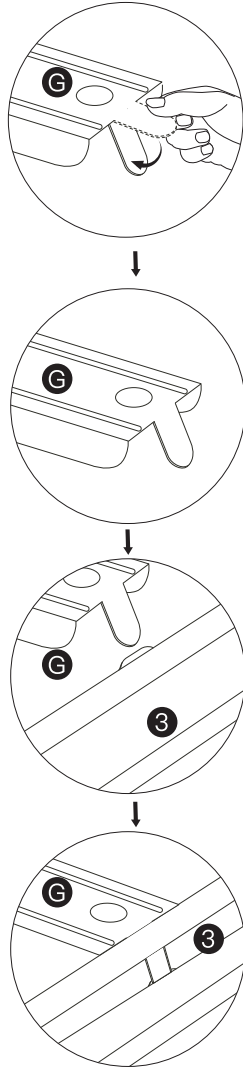
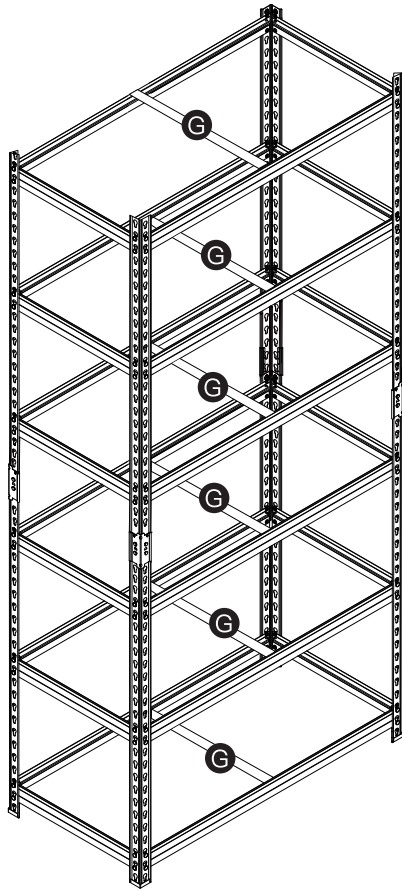
STEP 10



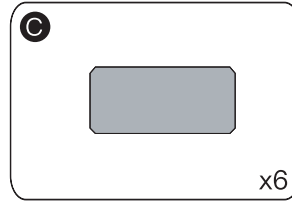
STEP 11



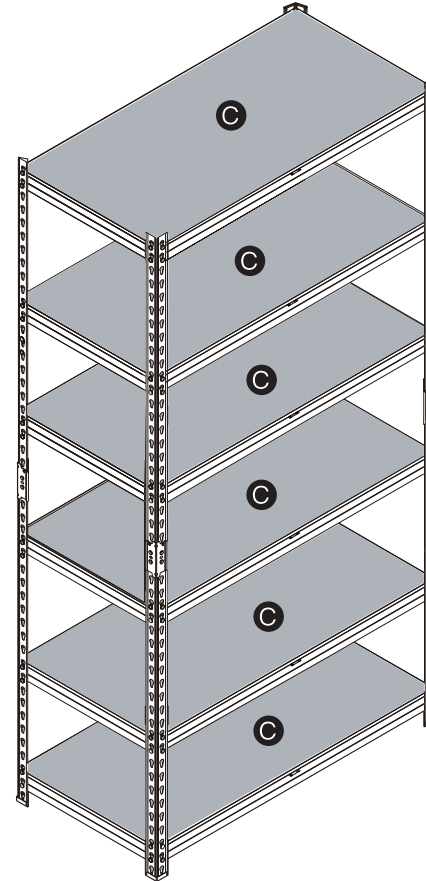
NOTICE
Please bend the protruding part of support bar (G) at a right angle for installation.



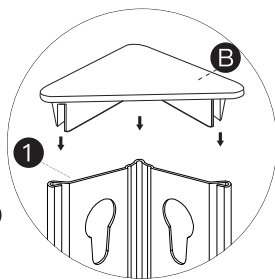
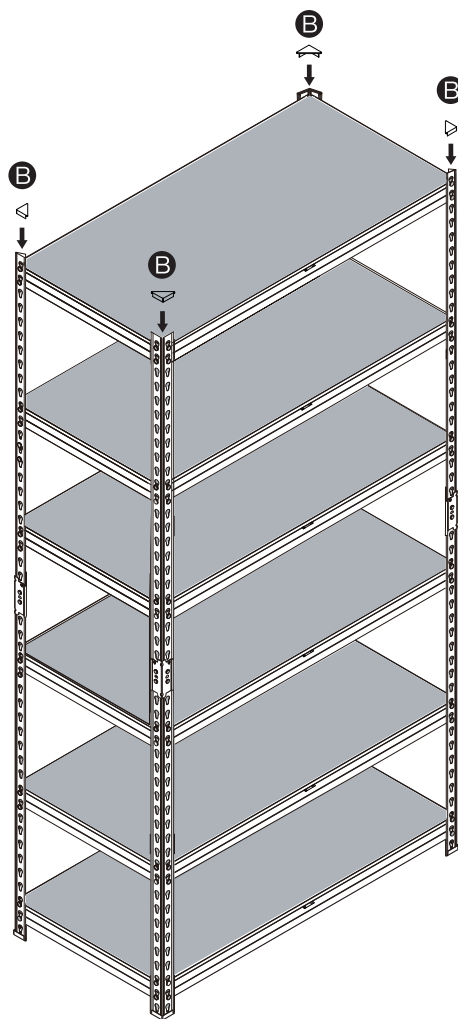
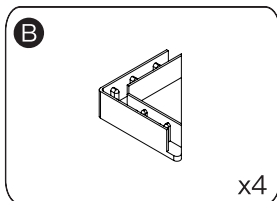
STEP 12



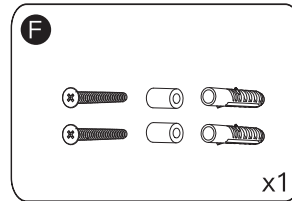
NOTICE
We suggest two people install the layer board (part C) together for easier installation.



STEP 13

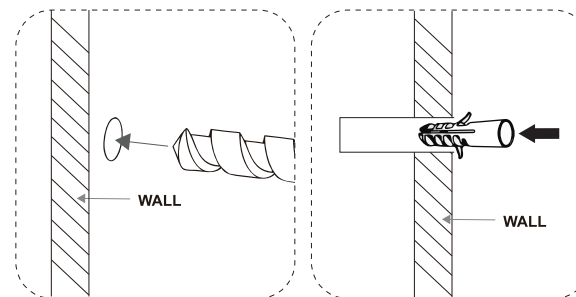


STEP 14

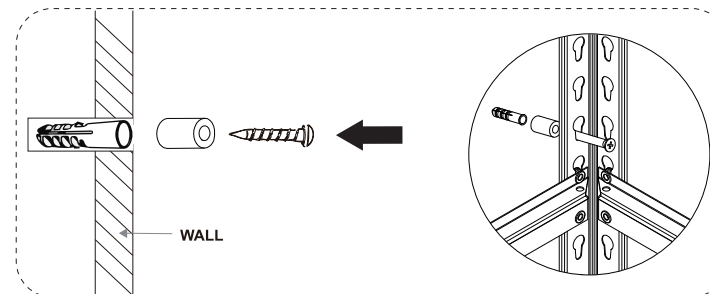


! NOTICE

For maximum safety, the strips of anti-tip kit should cross the upper vertical bars.

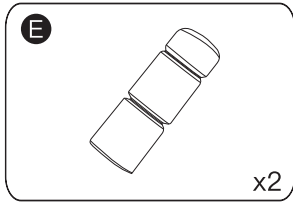


- (1) Drill holes at marked location. (2) Press the protective bolts in the wall.



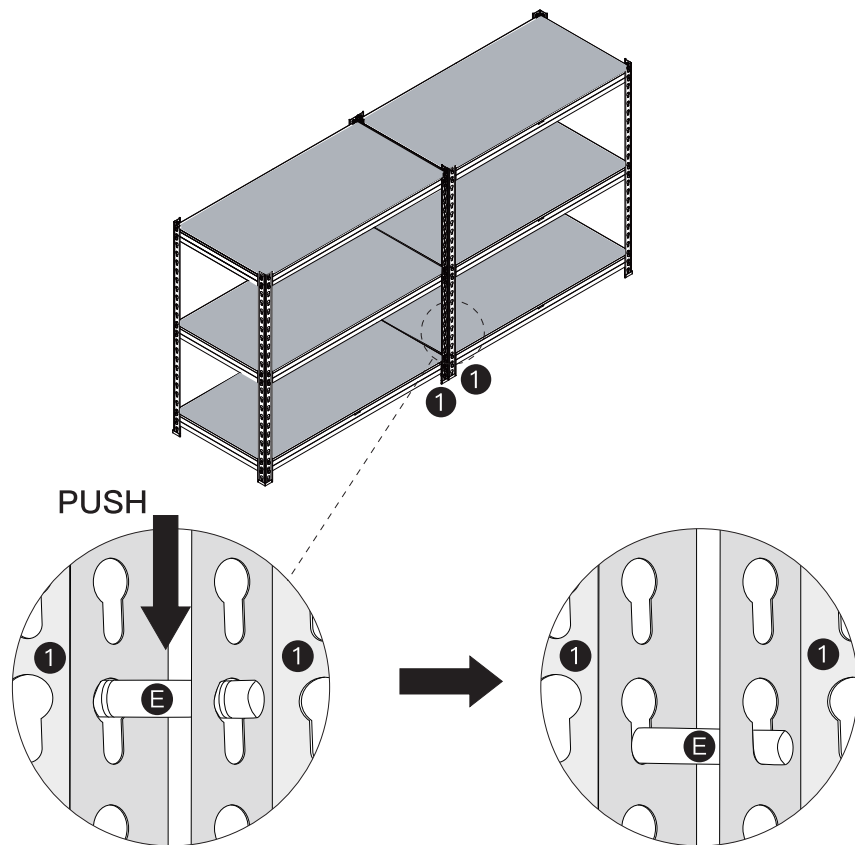
- (3) Fix the safety lock on the wall with bolts.

STEP 15



NOTICE:

If you purchased multiple shelves or divided one shelf into two individual shelves, the link is able to provide more stability.



After-sales Service

Dear customer,

We're excited that you've chosen our product to be a part of your home. We care deeply about your experience and want to make sure you have all the help you need.

If you have any questions while assembling your new product, don't hesitate to contact our dedicated customer support team through the original purchase platform.

Creating your ideal space is important, and we're committed to helping you every step of the way.

Thank you for choosing us, where comfort and style meet practicality.

Sincerely,
Customer Service Manager