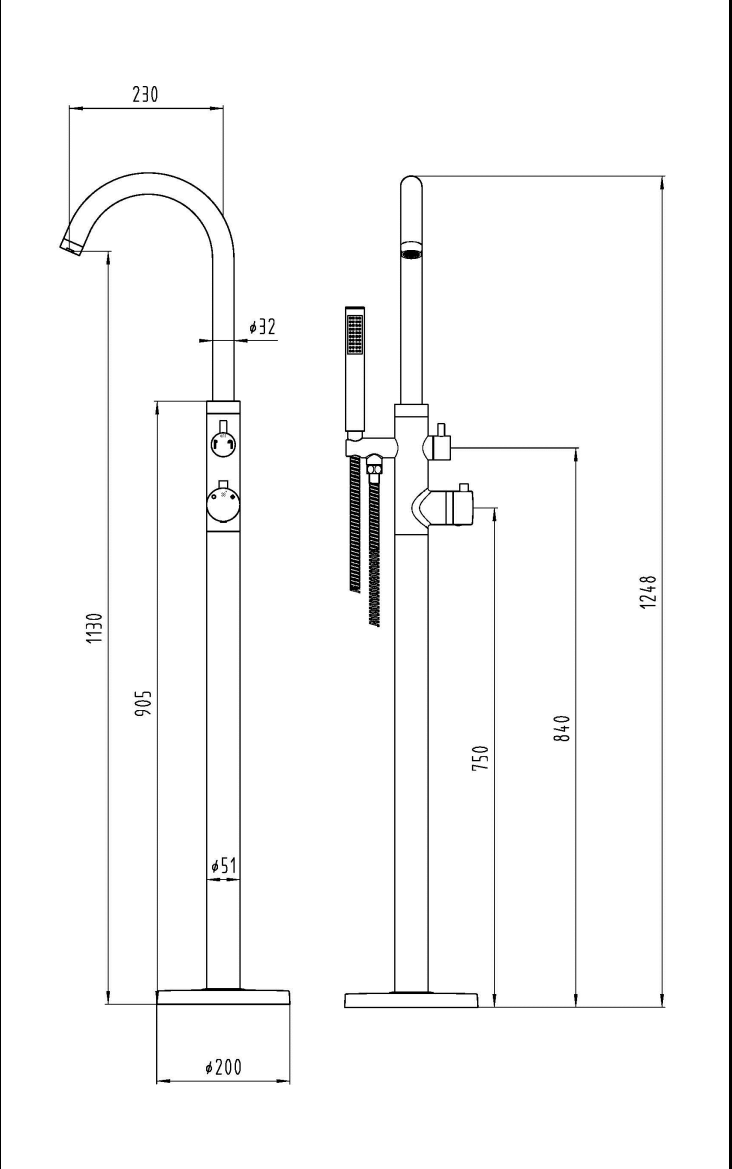


CUSTOMER DATA SHEET - BRASSWARE

DESCRIPTION: Thermo Single Lever Mono Bsm



PRODUCT DIMENSIONS				
Height (mm)	Width (mm)	Depth (mm)	Length (mm)	Nett Wgt Kg
1248	200	330		8.93

PACKAGING DIMENSIONS			
Height (mm)	Width (mm)	Depth (mm)	Gross Wgt Kg
130	285	960	8.93

PACKAGING DATA			
Box Colour	White Cardboard Box		
Box Qty	1	Label Colour	White Label
Label Size	100 x 50	Label Qty	2

OUTER BOX DIMENSIONS (If Applicable)				
Height (mm)	Width (mm)	Depth (mm)	Length (mm)	Gross Wgt Kg
270	980	235		9

PRODUCT DETAILS			
Country of Origin	China		
Fitting Instruction	Yes		
Product Material	Brass/ABS		
Control Type	Manual		
Waste Included	Waste Not Included		
WRAS Approval	No	Approval No.	N/A
Operating Pressure (bar)	2		
Valve/Cartridge Type	Single Lever Cartridge		

Colour/Finish	Chrome								
Mount Type	Floor Standing								
Waste Type	Not Applicable								
Flow Rates (L/min)	0.1	N/A	0.5	1	N/A	2	12	3	15
Pipe Size	15 mm (1/2" Bsp)								
Pipe Centres	N/A								