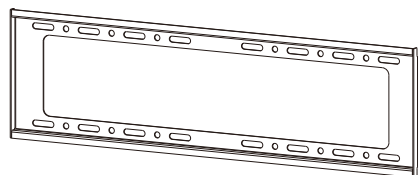


**Caution:**

1. Before installation, please ensure that you received all items according to the hardware and parts list.
2. This product contains small parts which may cause apnea if swallowed by children.
3. Do not begin the installation until you have read and understood all the instructions in this manual. If you don't understand this manual, please consult an installation expert.
4. This product should be installed by a experienced person. Improper installation may cause damage or serious injury.
5. Recommended mounting surface: wood stud or solid flat concrete. If the product has to be installed on any other surface except those mentioned above, please consult an installation specialist.
6. Make sure that the supporting surface will safely support the weight of the equipments and accessories.
7. This product is suitable for indoor use only.



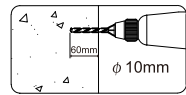
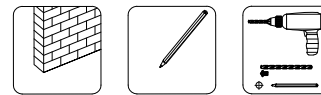
Wall plate x 1



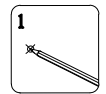
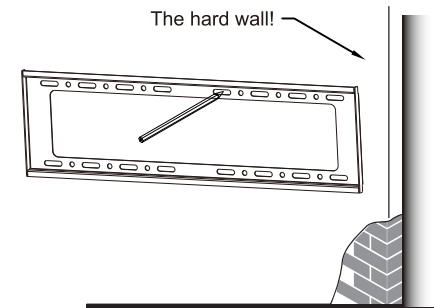
Adapter bracket x 2

A1	6x50mm	4PCS	E	5x40mm	2PCS
A2	10x50mm	4PCS	F1	5x14x1mm	4PCS
B	4x20mm	4PCS	F2	6x14x1mm	4PCS
C	6x20mm	4PCS	F3	8x18x10mm	4PCS
D	8x20mm	4PCS	G		1PCS

**STEP 1: Install on solid flat concrete wall**



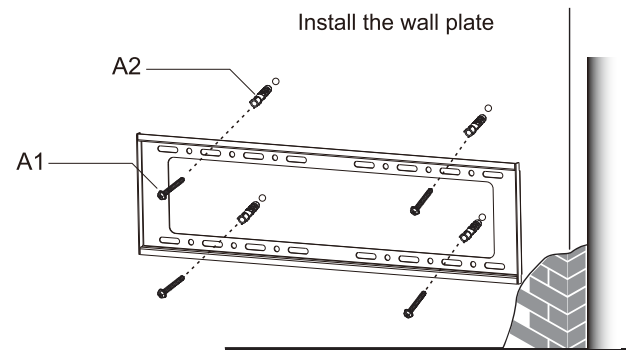
Hole size φ 10



1  
Mark the exact location of mounting holes



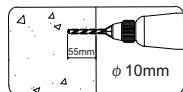
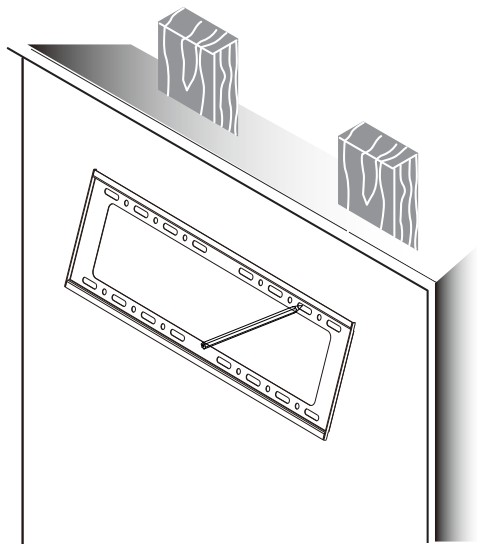
2  
Drill pilot holes



Screw the wall plate

## STEP2: Install on solid flat wood stud

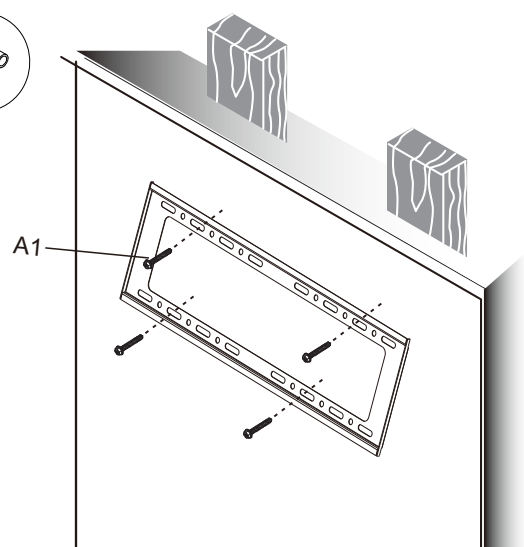
The two ends of the wall plate **MUST** be mounted to two wood studs. Use a high quality electronic stud finder to locate two adjacent wood studs.



Mark the exact location of mounting holes

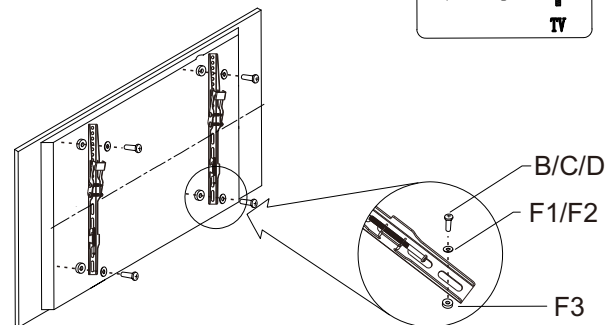


Drill pilot holes

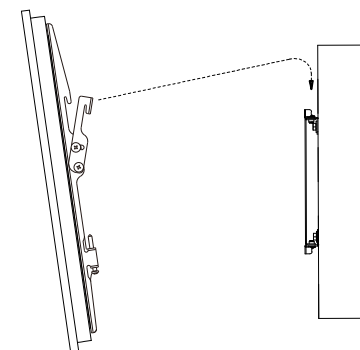
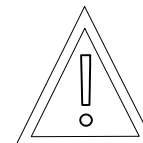
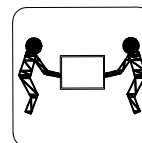


Screw the wall mount

## STEP3: Attach adapter brackets to TV



## STEP4: Hook TV onto the wall plate



## STEP5: Tighten the screw

