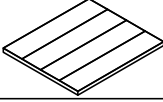
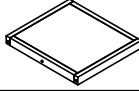
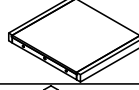
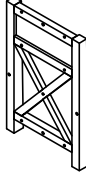
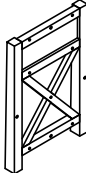
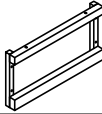
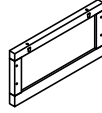
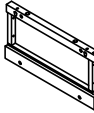
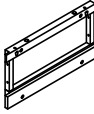
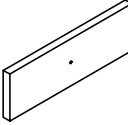
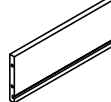
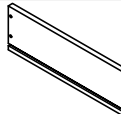
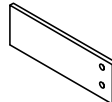
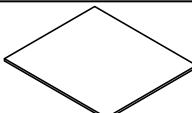


# ASSEMBLY INSTRUCTIONS

ASSEMBLY ON A FLAT, PROTECTED SURFACE.



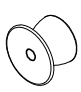

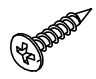
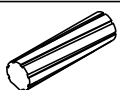
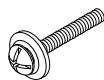
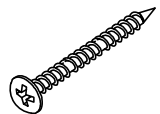

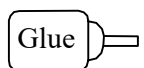


## PARTS LIST

No.	DESCRIPTION	FIGURE	QTY
A	TABLE TOP		1
B	MIDDLE SHELF		1
C	BOTTOM SHELF		1
D	RIGHT LEG FRAME		1
E	LEFT LEG FRAME		1
F	FRONT DRAWER CASE		1
G	BACK DRAWER CASE		1
H	RIGHT DRAWER CASE		1
I	LEFT DRAWER CASE		1
J	FRONT DRAWER PANEL		1
K	BACK DRAWER PANEL		1
L	RIGHT DRAWER PANEL		1
M	LEFT DRAWER PANEL		1
N	DRAWER BOTTOM PANEL		1

# ASSEMBLY INSTRUCTIONS

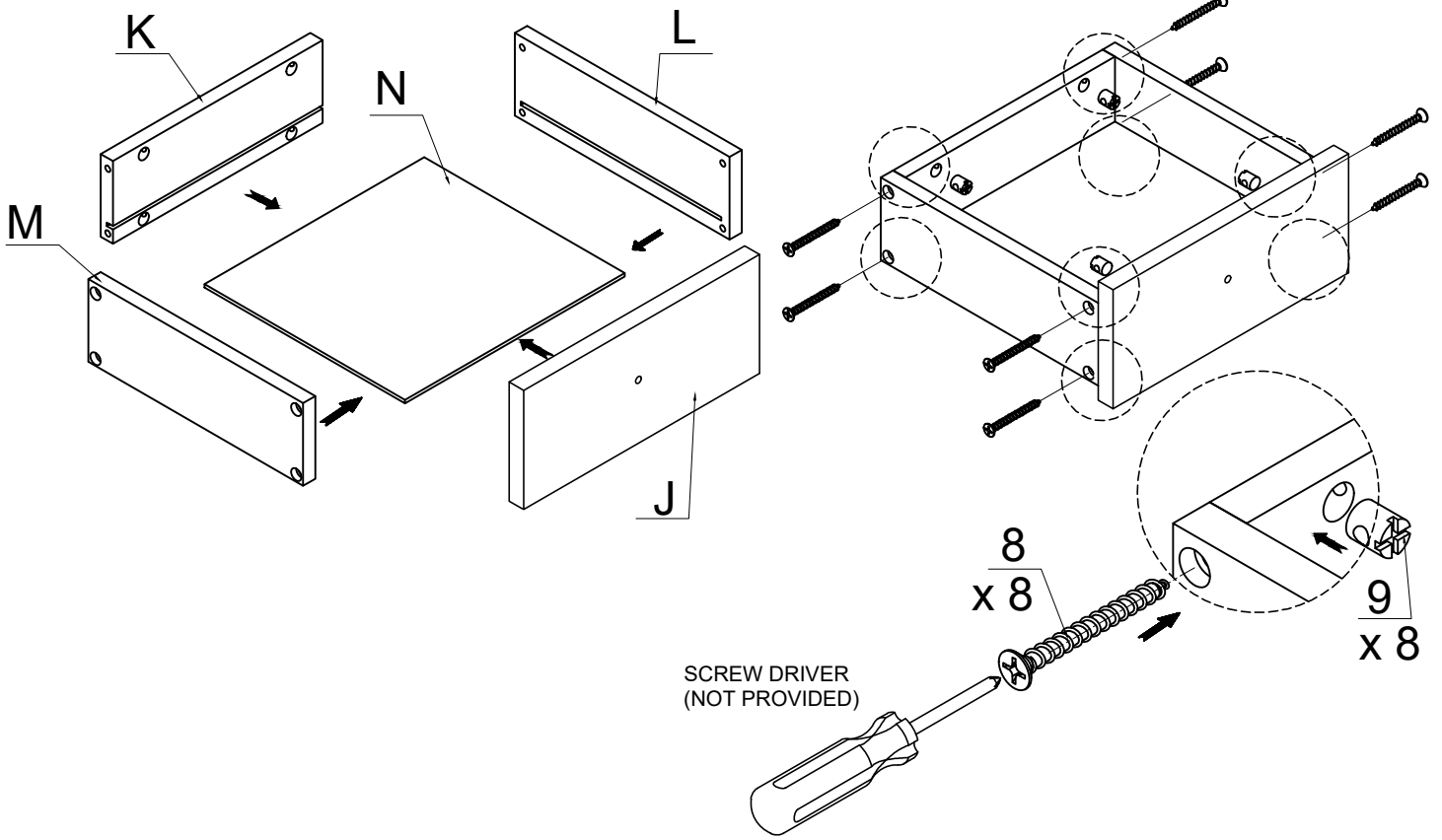
ASSEMBLY ON A FLAT, PROTECTED SURFACE.

## HARDWARE LIST

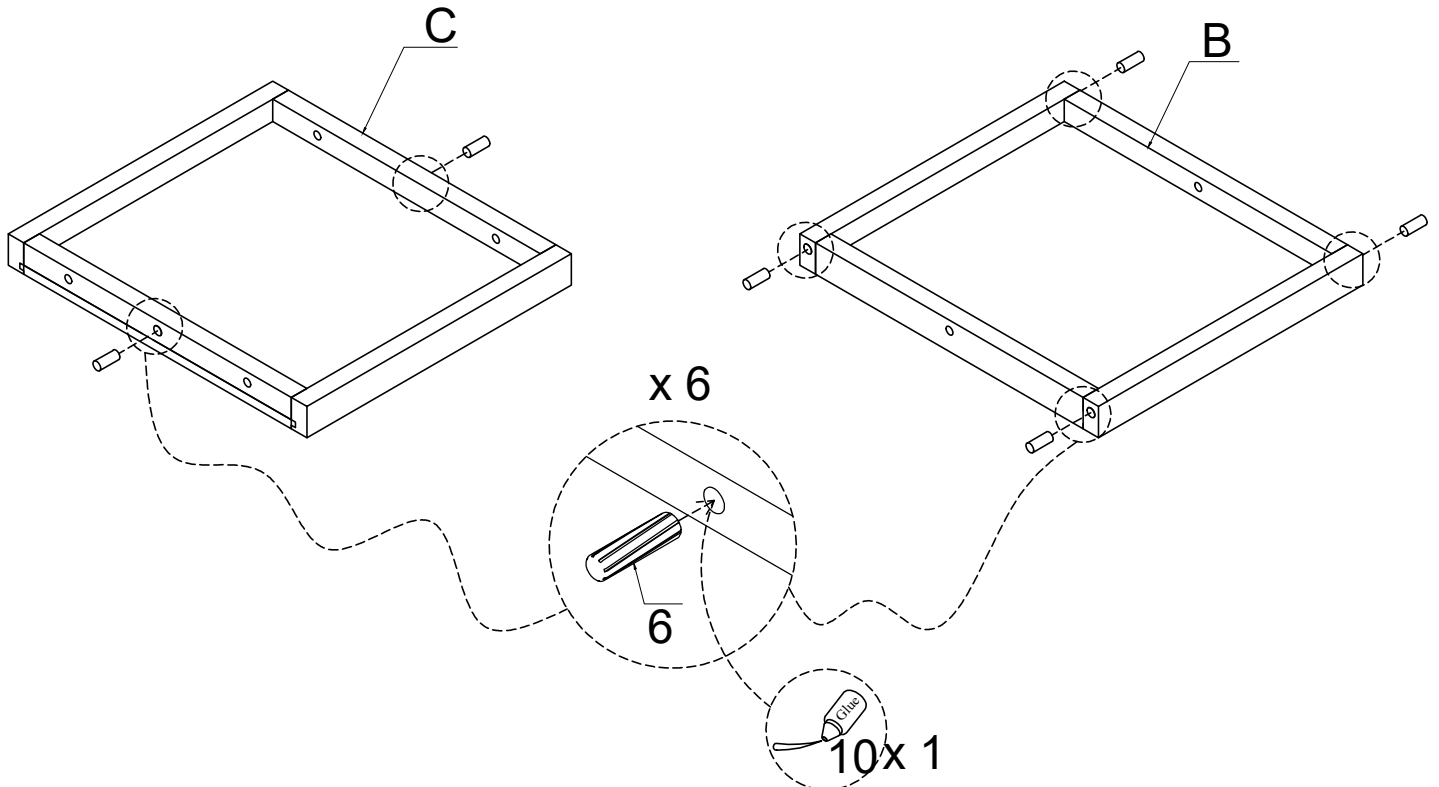
No.	DESCRIPTION	FIGURE	QTY
1	BOLT ( $\frac{1}{4}$ "x35mm) SPRING WASHER, FLAT WASHER ( $\frac{1}{4}$ "		14
2	ALLEN KEY 60x22x4mm		1
3	DRAWER KNOB		1
4	$\frac{5}{32}$ "x25mm BOLT		1
5	M4 x 25mm WOODEN SCREW		8
6	Ø10 x 30mm WOOD DOWEL		10
7	BOLT ( $\frac{3}{16}$ "x30mm) SPRING WASHER, FLAT WASHER ( $\frac{1}{4}$ "		8
8	M4 x 50mm WOODEN SCREW (FOR DRAWER)		8
9	M10 x 10mm LOCK (FOR DRAWER)		8
10	GLUE		1
11	BASKET FRAME		1
12	BASKET BOTTOM		1

# ASSEMBLY INSTRUCTIONS

## STEP 1:

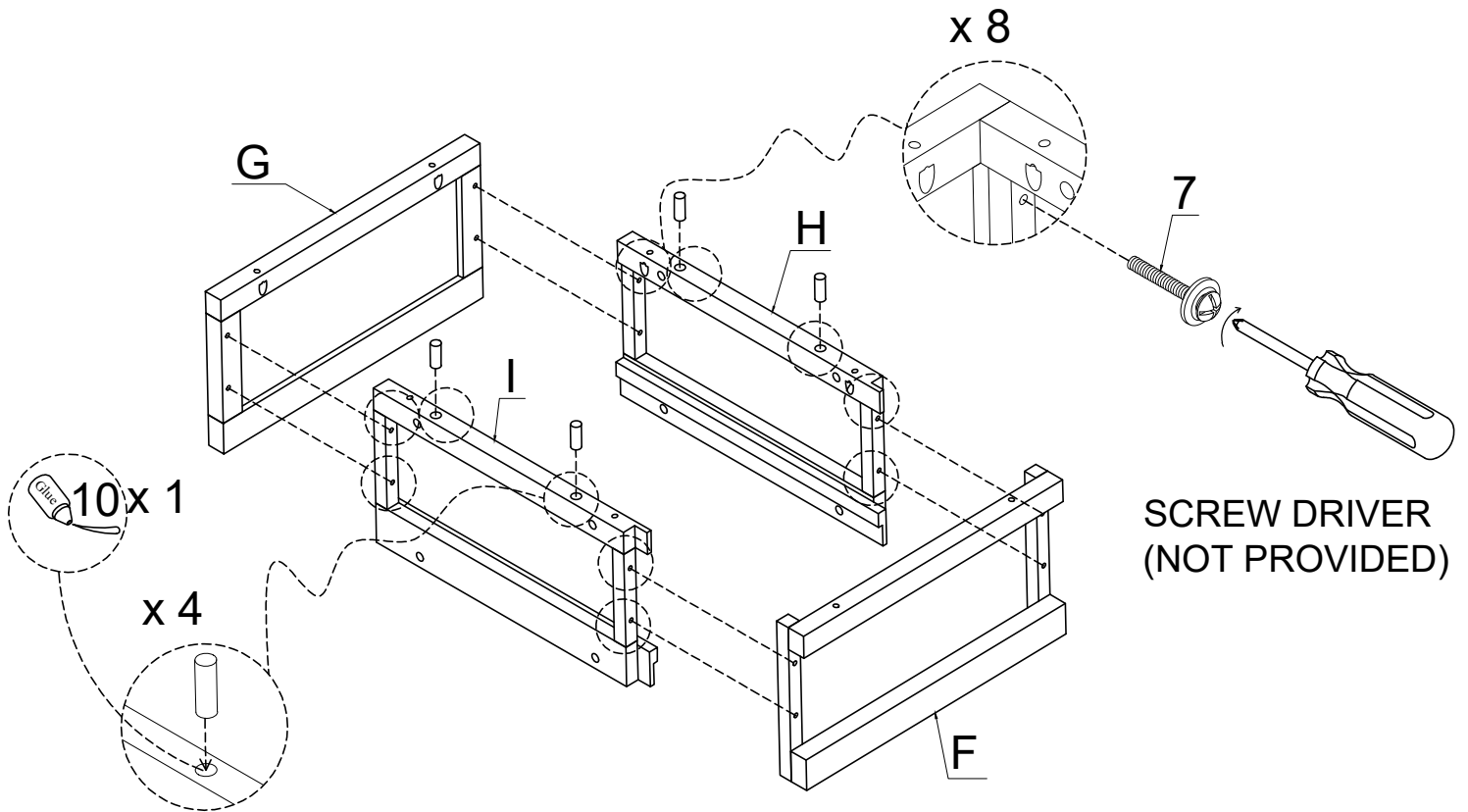


## STEP 2:

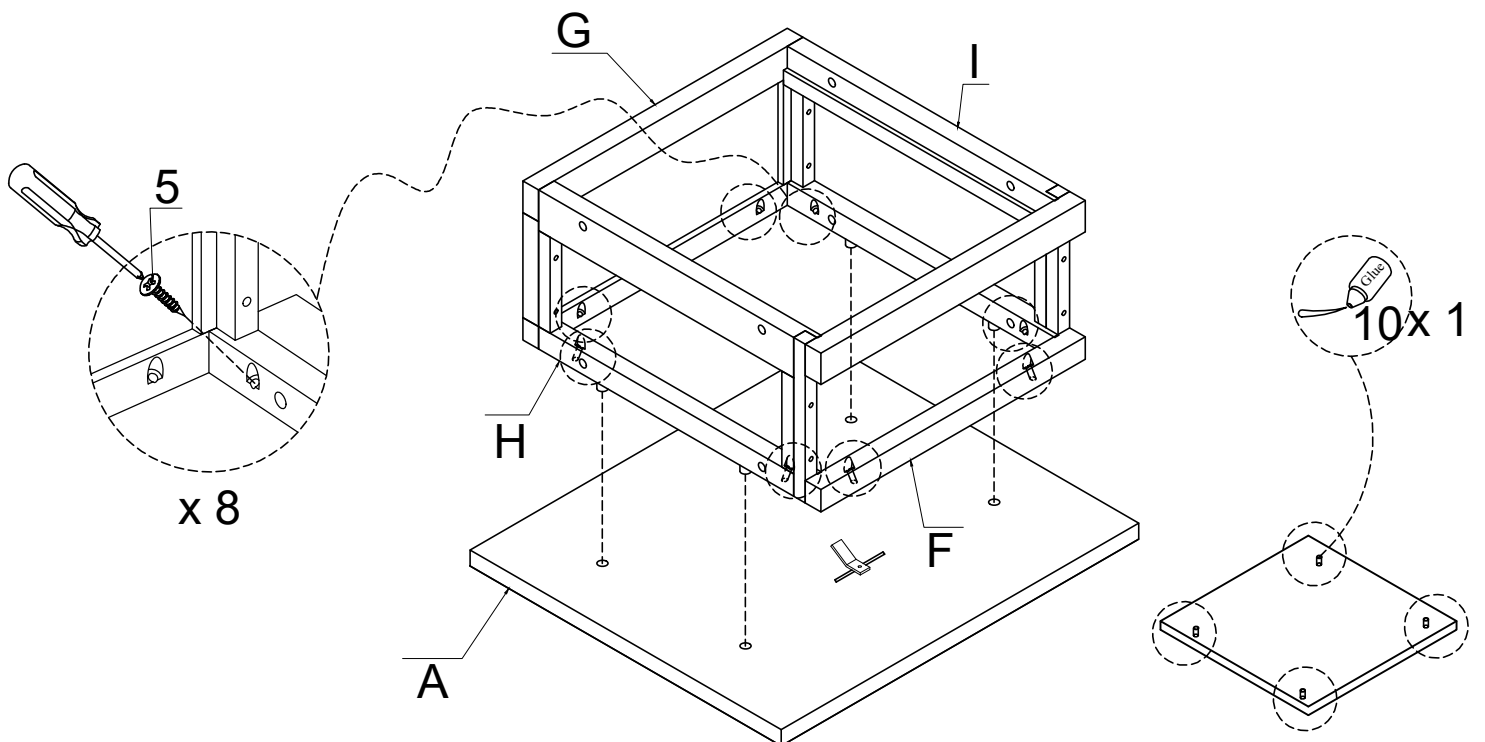


# ASSEMBLY INSTRUCTIONS

## STEP 3:

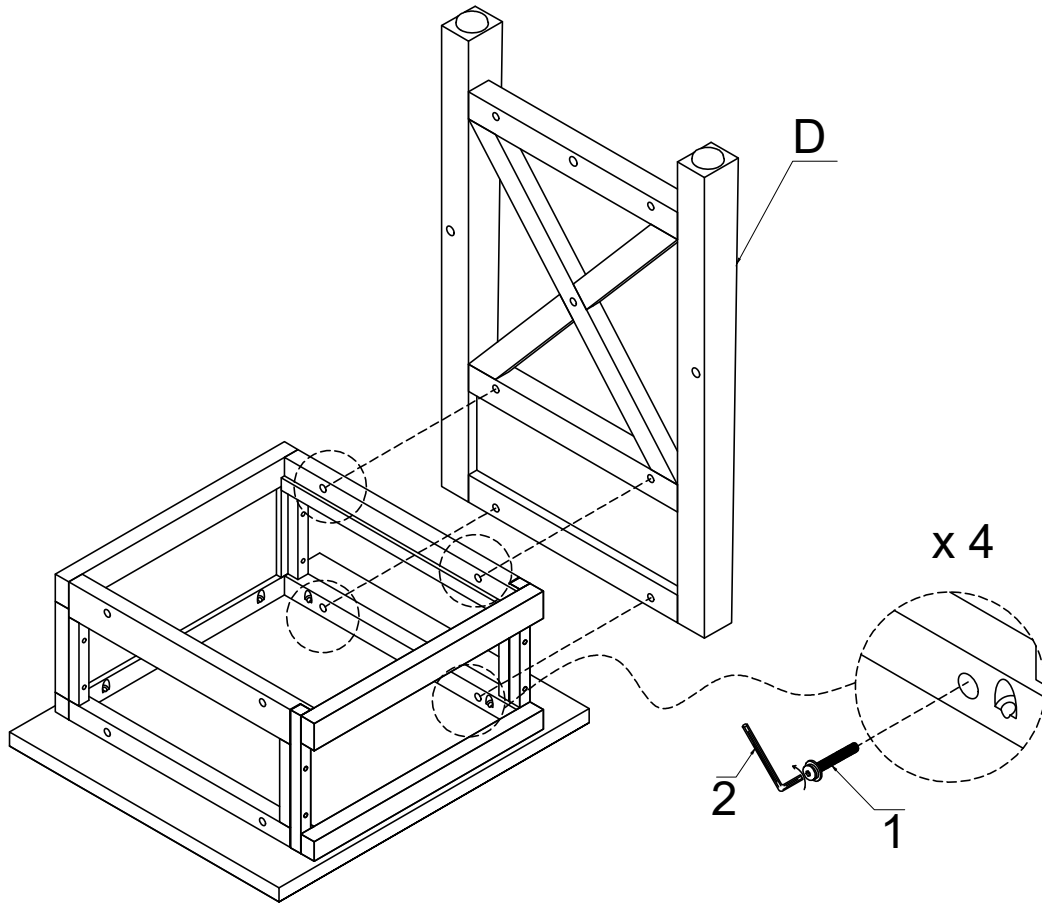


## STEP 4:

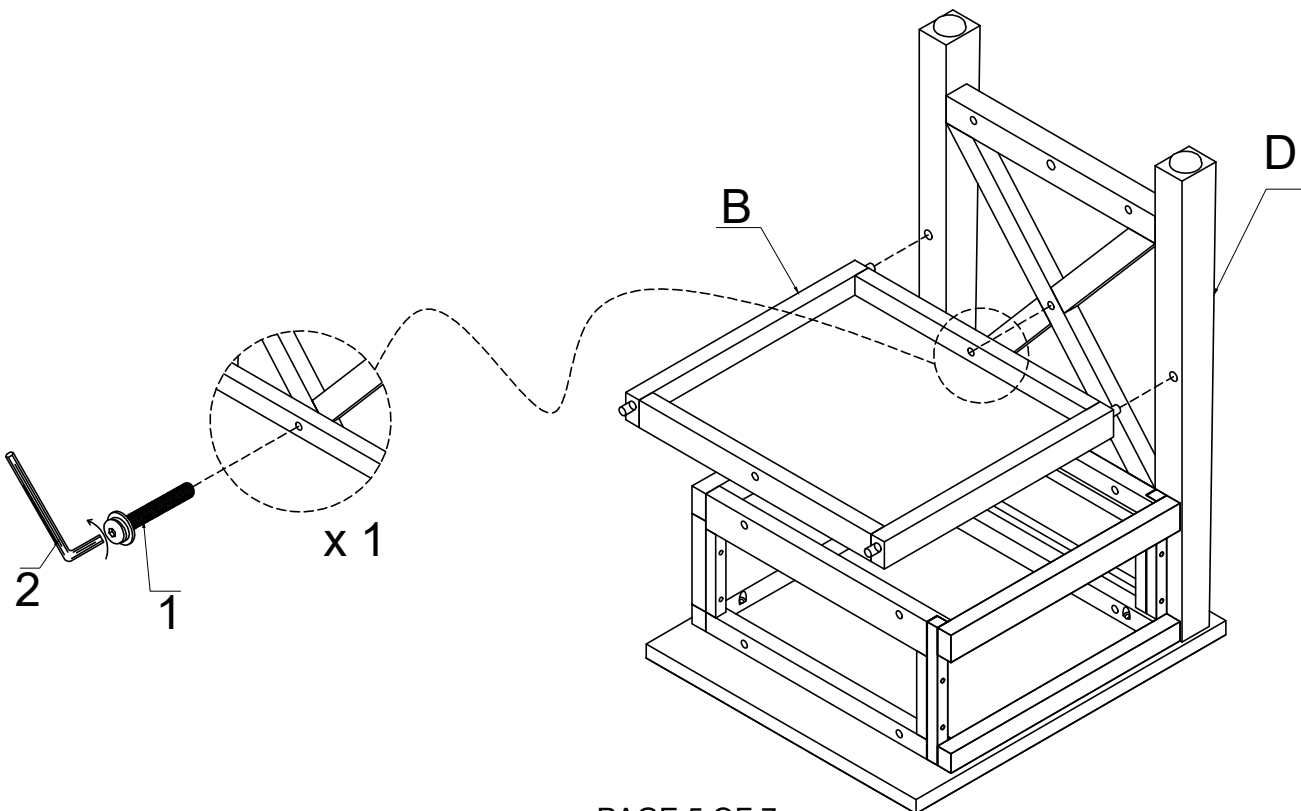


# ASSEMBLY INSTRUCTIONS

## STEP 5:

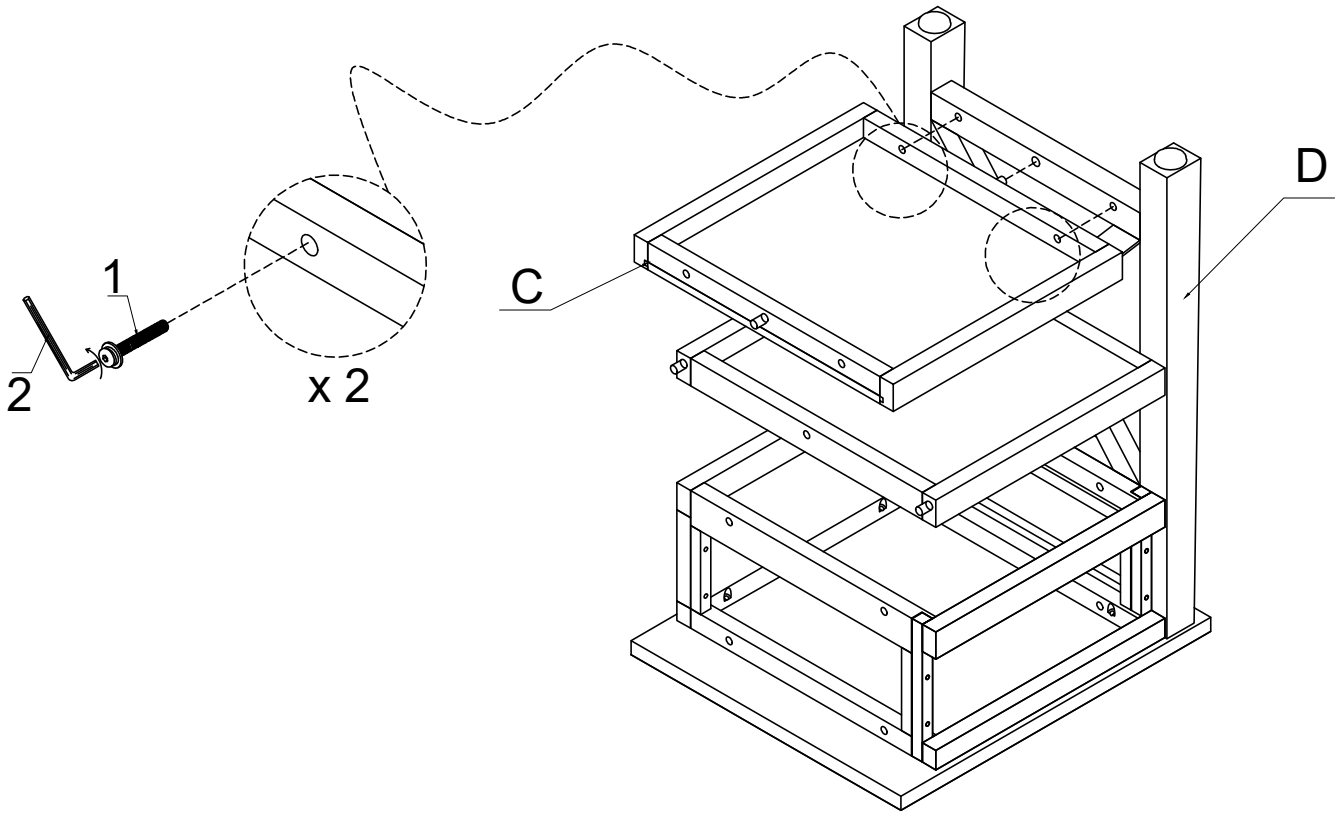


## STEP 6:

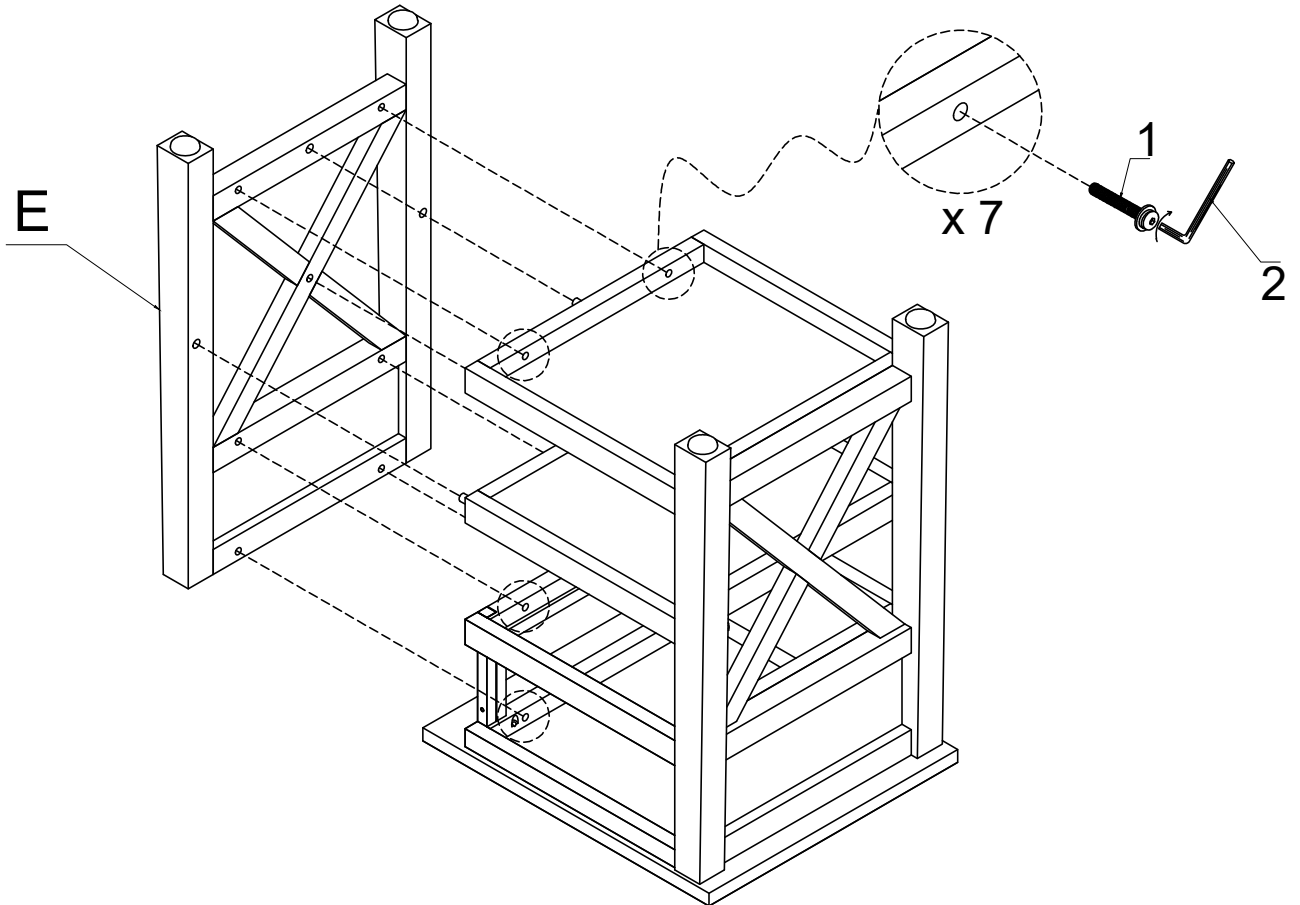


# ASSEMBLY INSTRUCTIONS

STEP 7:

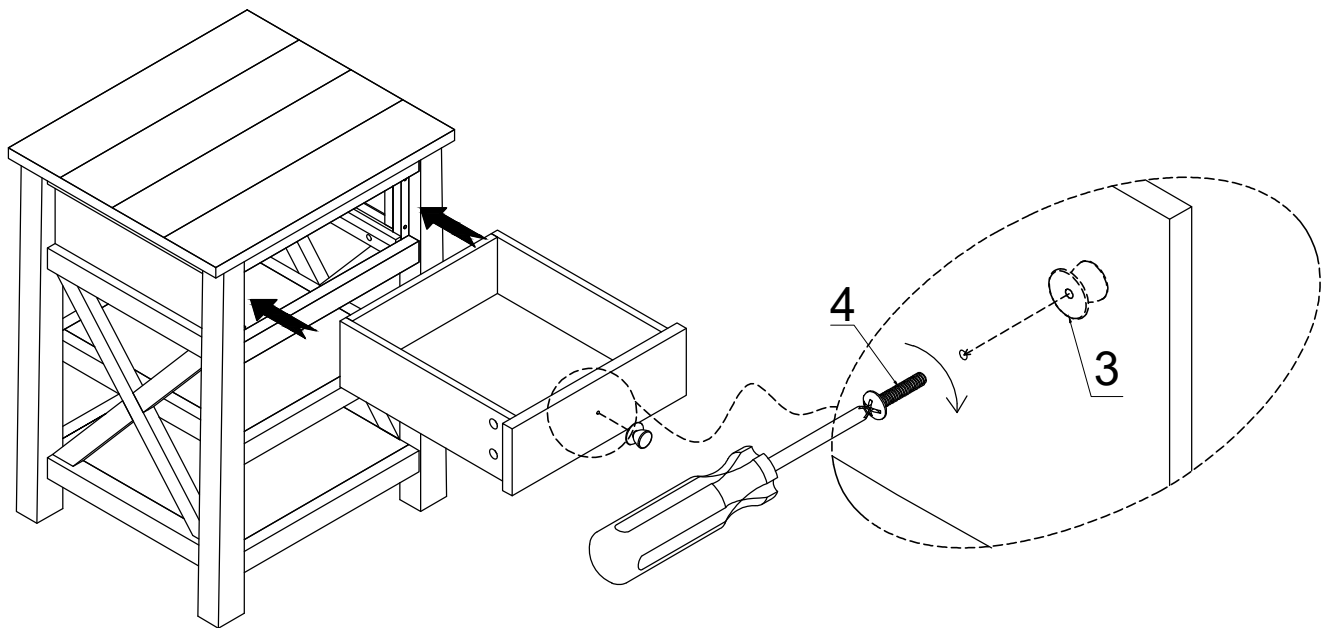


STEP 8:

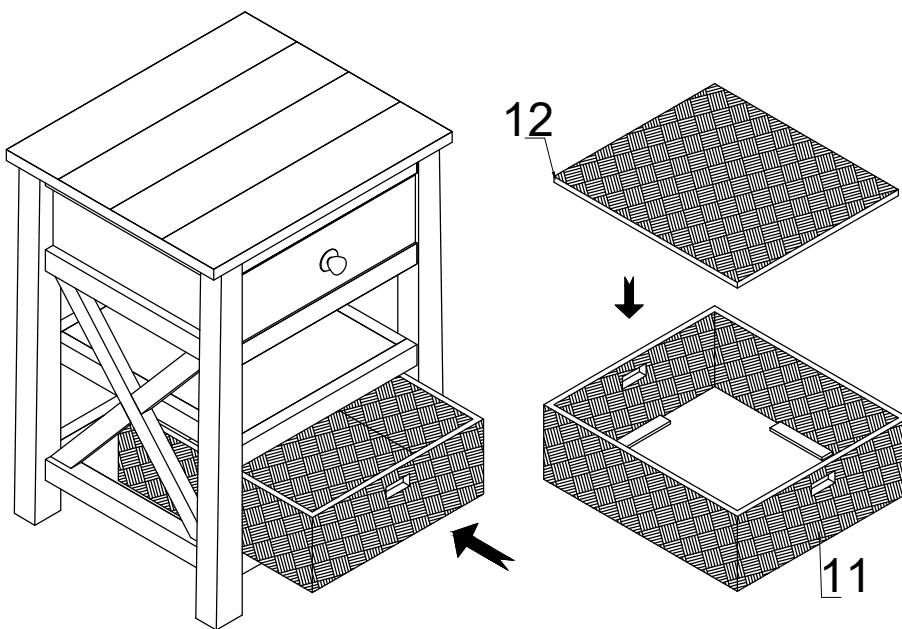


# ASSEMBLY INSTRUCTIONS

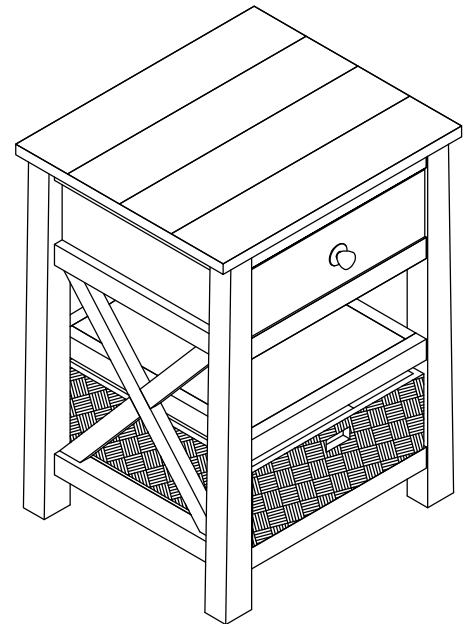
## STEP 9:



## STEP 10:



## STEP 11:



### IMPORTANT NOTE:

- PLACE ALL WOODEN PARTS ON A CLEAN AND SMOOTH SURFACE TO AVOID SCRATCHING.
- KINDLY FOLLOW THE ASSEMBLY INSTRUCTION STEP BY STEP.
- WE RECOMMEND THAT YOU PERIODICALLY TIGHTEN ALL BOLTS/SCREWS. PLEASE MAKE SURE ALL BOLTS/SCREWS ARE PLACED IN THEIR PROPER POSITION AND ARE TIGHTENED SECURELY TO ENSURE YOUR SAFETY.
- WEIGHT RESTRICTION: TOP 40 LBS, DRAWER 20 LBS. SHELF 20 LBS.
- DO NOT STAND OR CLIMB ON THE END TABLE.
- NOT FOR COMMERCIAL USE.

\*In case you need any extra parts, please feel free to contact us directly instead of returning your order, we will be more than happy to help you within a business day.