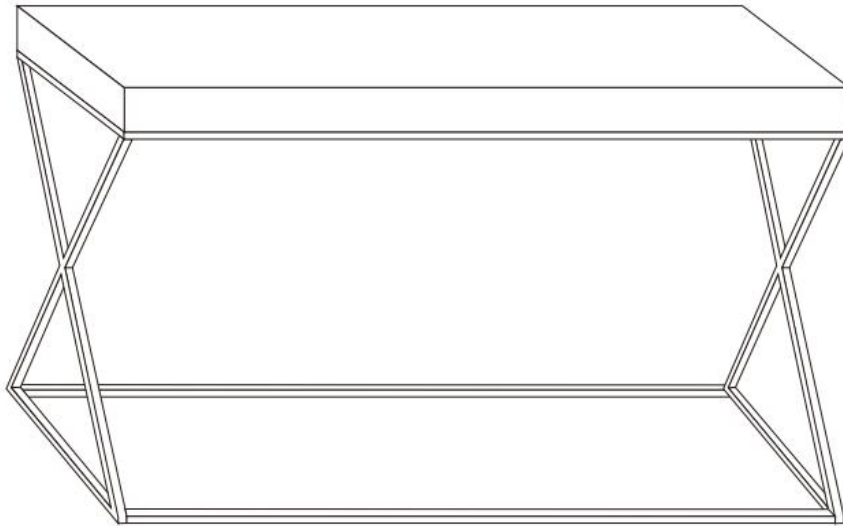


# Assembly Instructions

**Caution : You must read this before you proceed**

Please look in the Leg Panels for hardware packs

## Table








**CAUTION:** This Table is NOT a TOY.  
Keep your child/children at bay during the assembly process.  
Whenever lifting the Table and to prevent damage to the Table two adults are needed to execute this action.

### Parts List

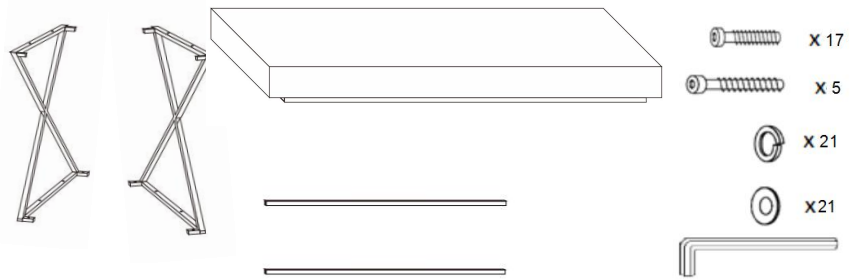
Label	Picture	Description	QTY
A		Table Top	1
B		Cross Bar	2
C		Leg	2

# Hardware

Label	Picture	Description	QTY
①		Allen Key	1
②		Bolt(M6*15mm)	17
③		Bolt(M6*35mm)	5
④		Spring Washer	21
⑤		Washer	21

## Assembly Preparation

Before Beginning Assembly:



- Read instructions, cover to cover-



- Have 2 adults on hand for assembly-



- Do not assemble on flooring or carpet-



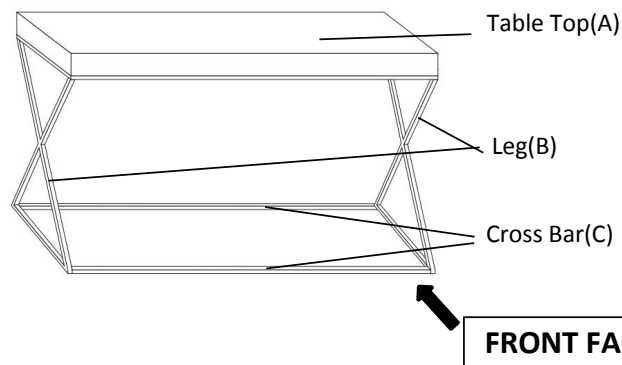
- Assemble on a clean non-marring surface (packing foam)-



- Save all packaging until finished-

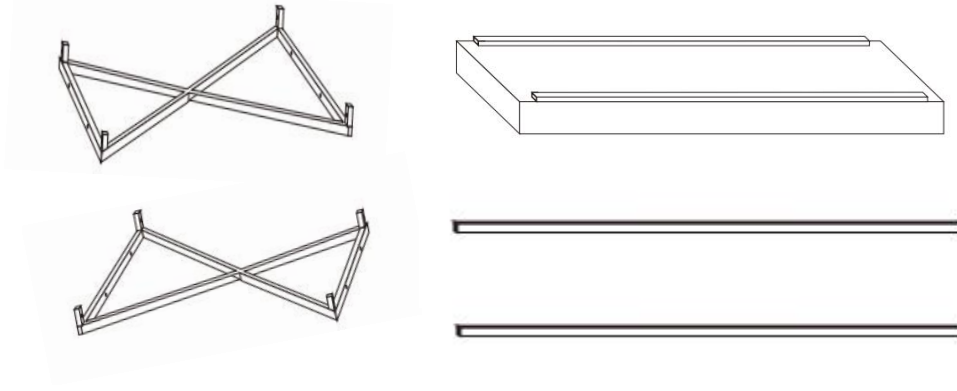
## Assembly Steps

### Overview



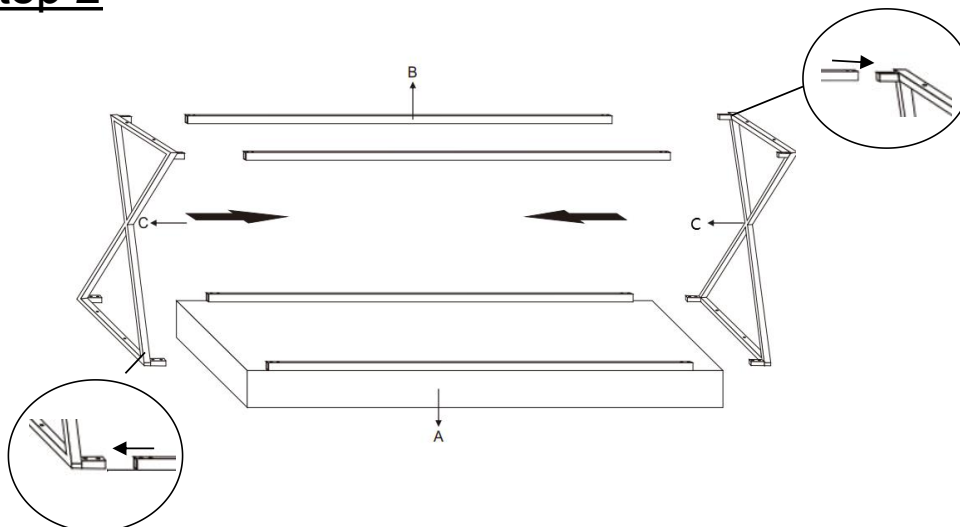
This Table has multiple parts and may require up to 30 minutes to assemble. To give you an overview of the Table parts, the above picture is to help you put the various parts into perspective. Please read through the instructions below to familiarise yourself with the parts and steps before assembly.

## Step 1



Unpack and place all parts on a clean, non-marring surface.

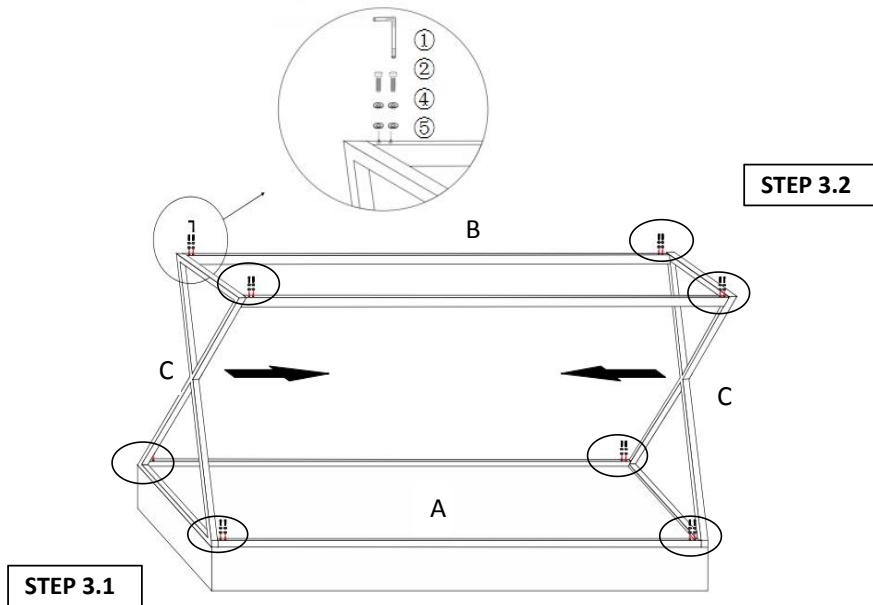
## Step 2



With the assistance from your adult partner, carefully place the Table Top (A ) facing down on the non-marring surface

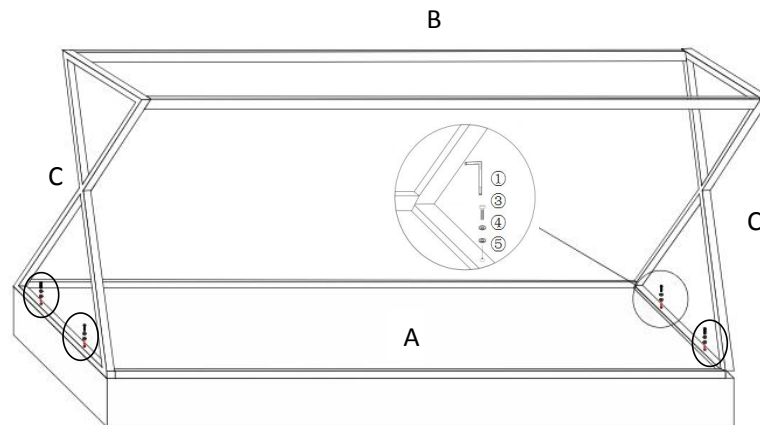
Then attach the support bar of Table Top (A ) to the housing of Leg (C ) and the Cross Bar ( B ) to the housing of Leg ( C ) as shown above

## Step 3



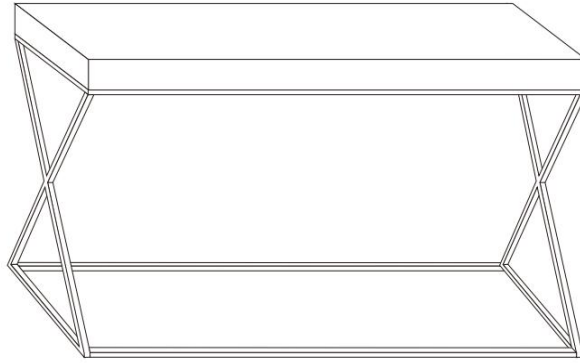
- 3.1) Secure the Leg (C) to the Table Top(A) using Washer(5), Spring Washer(4), and Bolts(2) with Allen Key(1) as shown above
- 3.2) Secure the Cross Bar (B) to the Leg (C) using Washer(5), Spring Washer(4), and Bolts(2) with Allen Key(1) as shown above
- Do not fully tighten the Bolts.**

## Step 4



- Secure the Leg(C) to the Table Top(A) using Washer(5), Spring Washer(4), and Bolts(3) with Allen Key(1) as shown above
- Do not fully tighten the Bolts.**

## Step 5



With the help of your adult partner, stand the Table up.  
Exert pressure floorwards, onto the Chair with both your hands.  
This pressure will help the Legs and Chair reach full alignment status.  
Check for wobbles on a LEVEL surface.  
If no wobbles are found proceed to tighten Bolts in a sequential manner, until evenly secured.  
When tightening Bolts tighten sequentially.  
Your Table is ready for use.  
**This Table can only be used on a flat, level surface.**

## **Care & Maintenance**

- Furniture may scratch floors. We recommend using furniture pads to protect your floors.
  - Do not put hot items directly on furniture surface.
  - Do not clean furniture with harsh cleansers or polish.
  - Do not place furniture under direct sunlight.
  - Do not place furniture near heating or cooling vents.
  - Do not write on furniture without a padded barrier to protect the surface.
  - Do not place furniture outside . For indoor use only.
  - Not for commercial use. For residential use only.
  - Stains may be removed with mild soap solution and damp cloth.
  - Children should not climb or jump on the furniture.
- 
- Dust and pick-up spills using a clean, non-colored, lint-free cloth.