

3-Piece Patio Bistro Set

THIS INSTRUCTION BOOKLET CONTAINS **IMPORTANT** SAFETY INFORMATION.
PLEASE READ AND KEEP FOR FUTURE REFERENCE.



Before You Start

- ⚠ Please read all instructions carefully.
- ⚠ Retain instructions for future reference.
- ⚠ Separate and count all parts and hardware.
- ⚠ Read through each step carefully and follow the proper order.
- ⚠ We recommend that, where possible, all items are assembled near to the area in which they will be placed in use, to avoid moving the product unnecessarily once assembled.
- ⚠ Always place the product on a flat, steady and stable surface.
- ⚠ Keep all small parts and packaging materials for this product away from babies and children as they potentially pose a serious choking hazard.

Warning

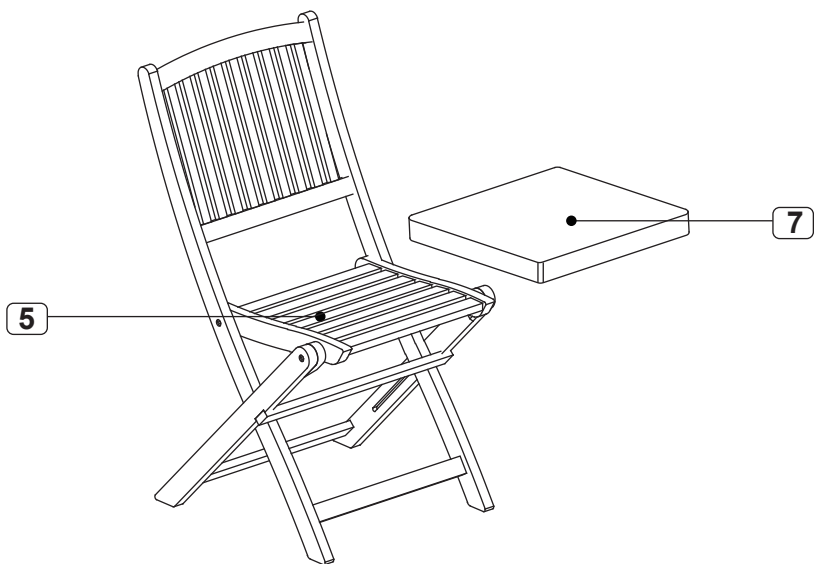
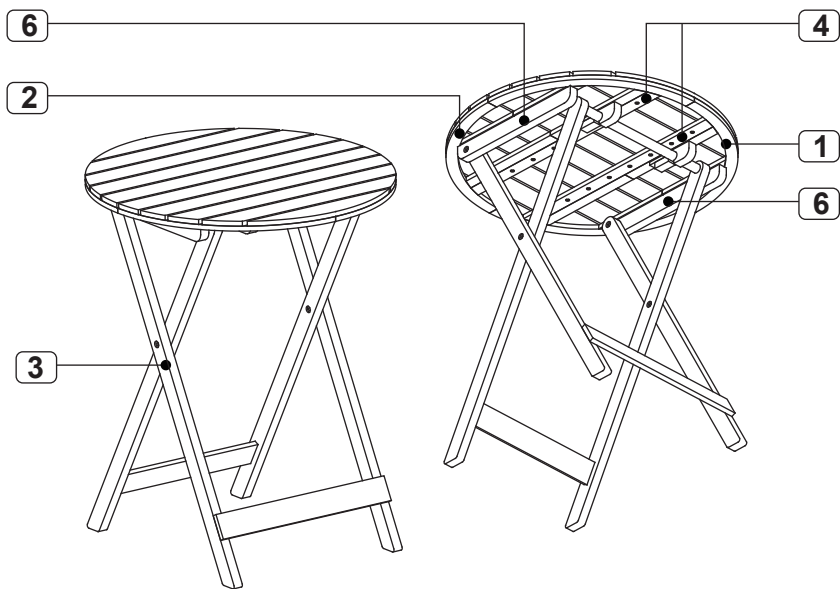
The furniture has been pre-treated to be better protected against sun, rain, stains and other wear and tear. However, we hope you can protect your outdoor furniture from rain, sun, dirt, dust, pollen and snow when not in use.

How to Re-Oil Furniture

Furniture finished with oil and wax will probably not need to be re-oiled unless it becomes dry from being stored in extreme cold or heat, or in constant direct sunlight or other drying conditions. If your piece does become overly dry, follow the following instructions for re-oiling.

1. Use turpentine or naphtha applied with a clean cotton cloth to remove the existing wax. Clean the surface with water and Soap, using only as much liquid so as to make the cloth damp, not wet. Allow the surface to dry completely.
2. Use super-fine grade #0000 steel wool to further prepare the surface, using light, even pressure and always working with the wood grain.
3. Apply a liberal amount of oil to the surface. We use a blend of 1/3 boiled linseed oil, 1/3 pure tung oil and 1/3 oil-based polyurethane (Allow the oil to soak into the wood for about 10 to 15 minutes.)
4. Wipe off all excess oil using a clean cotton cloth. Allow the newly oiled furniture to set for at least 24 hours.
5. To prepare for waxing, clean the surface with super-fine #0000 grade steel wool. Carefully wipe the surface clean with a soft cotton cloth to remove all grit and residue.
6. If the wood still appears dry, you may re-apply oil and repeat the steps 3 through 5.

Important safety note: Handle oily rags with caution, as there is a risk of spontaneous combustion if they are stored improperly. Be sure to spread oily rags flat and allow them to dry completely, after which they can be discarded or washed.



Parts List

① x1

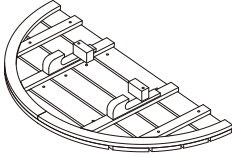


Table Top A

② x1

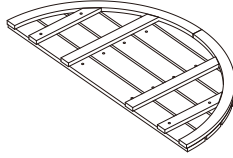
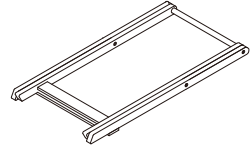


Table Top B

③ x1



Leg Component

④ x2

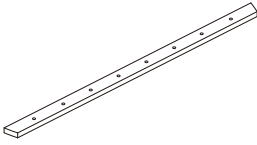
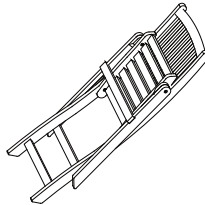


Table connector

⑤ x2



Chairs

⑥ x2

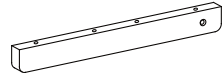
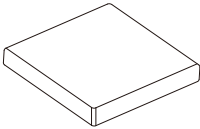
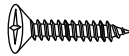


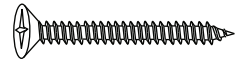
Table Apron



⑦ x2
Cushion



M4x15mm
Screw
Ⓐ x16



M5x50mm
Screw
Ⓑ x8



M6x35mm
Bolt
Ⓒ x2




M6x16x2mm
Washer
Ⓓ x2



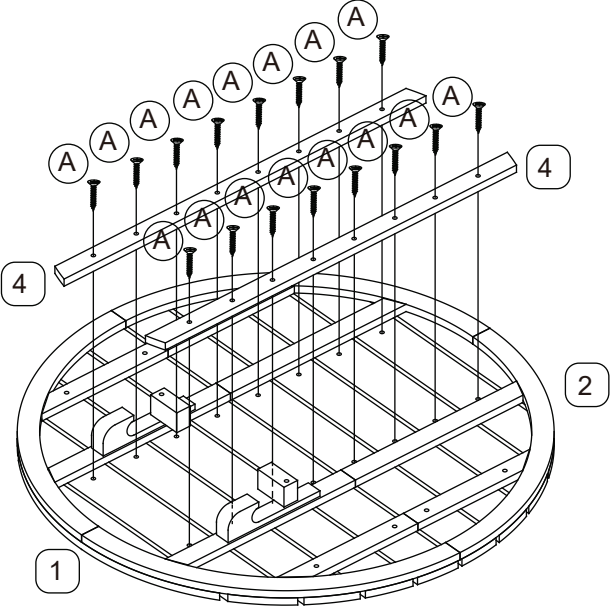
Allenkey
Ⓔ x1

1

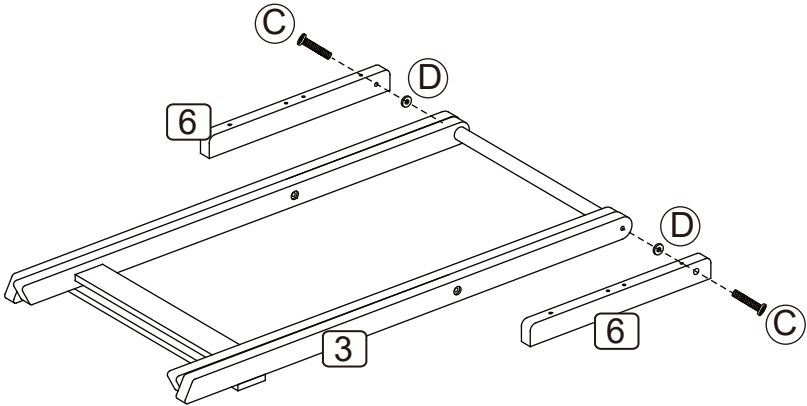
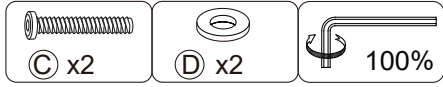
100%
Not included




Ⓐ x16




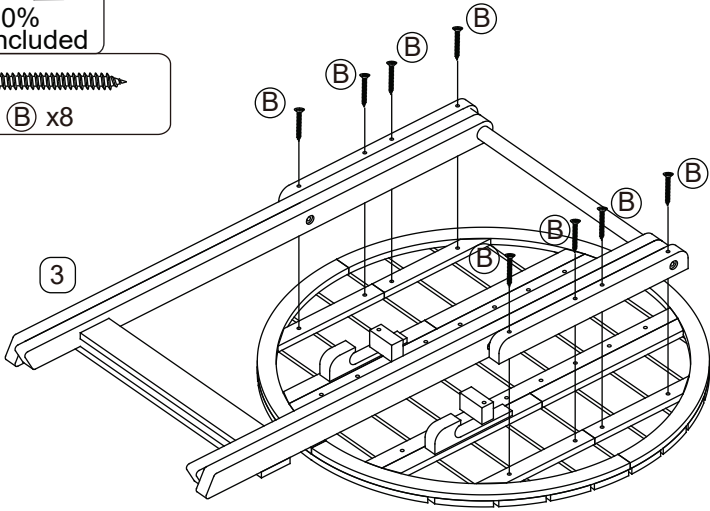
2



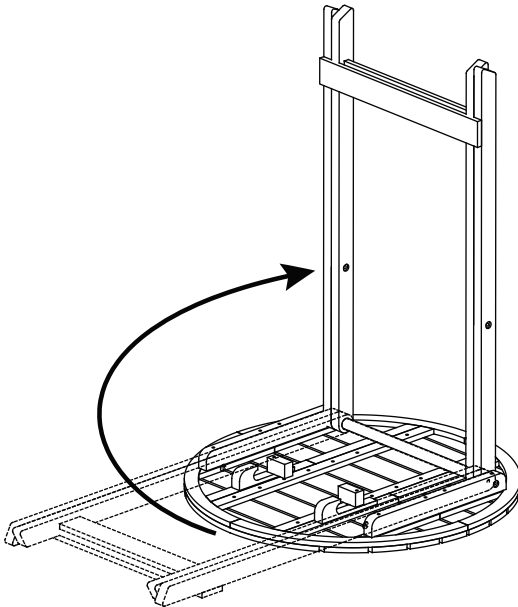
3


100%
Not included

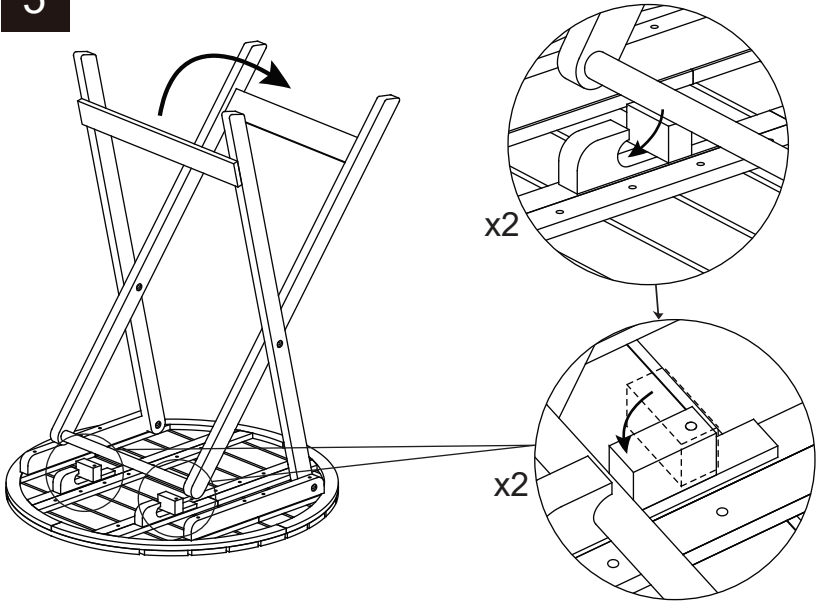

Ⓑ x8



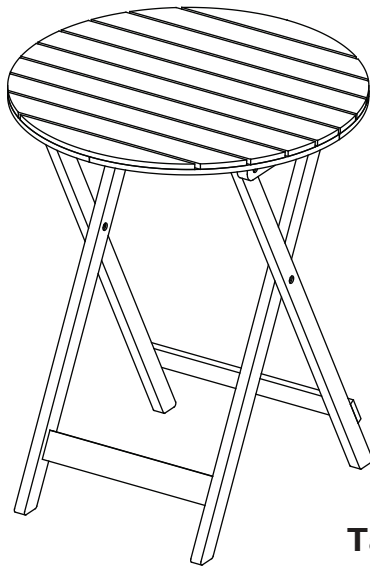
4



5

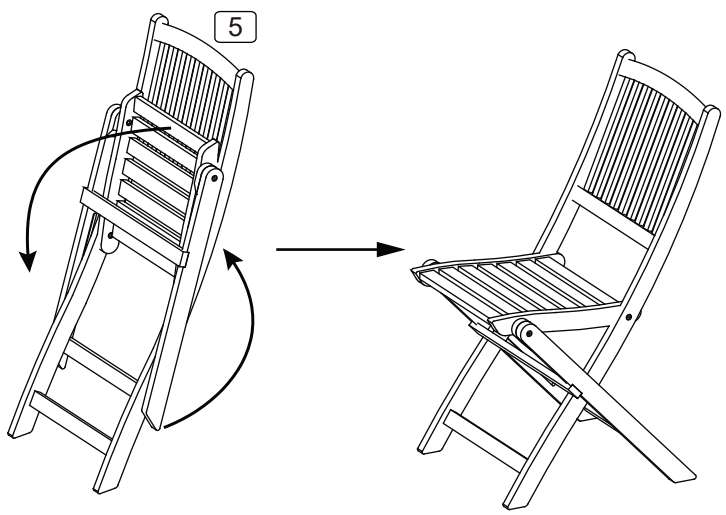


6



Table

7 x2



Chair

8 x2

