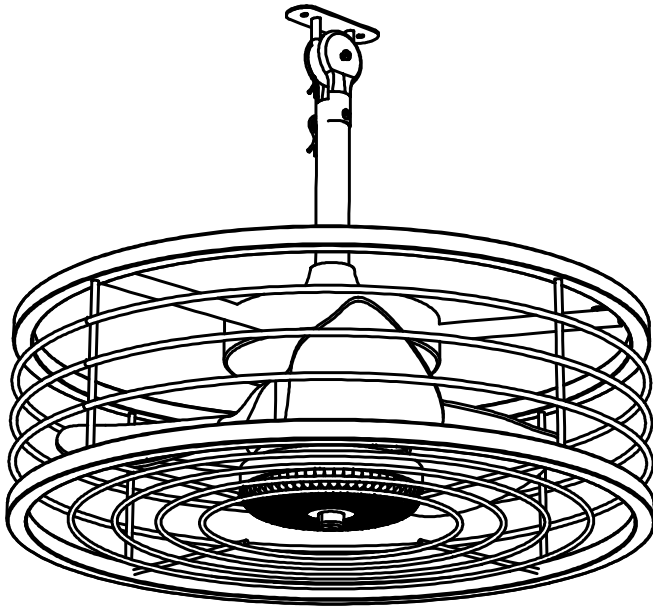


Manual Book

Ceiling Fan with Lights

Model No.: FS6867-01

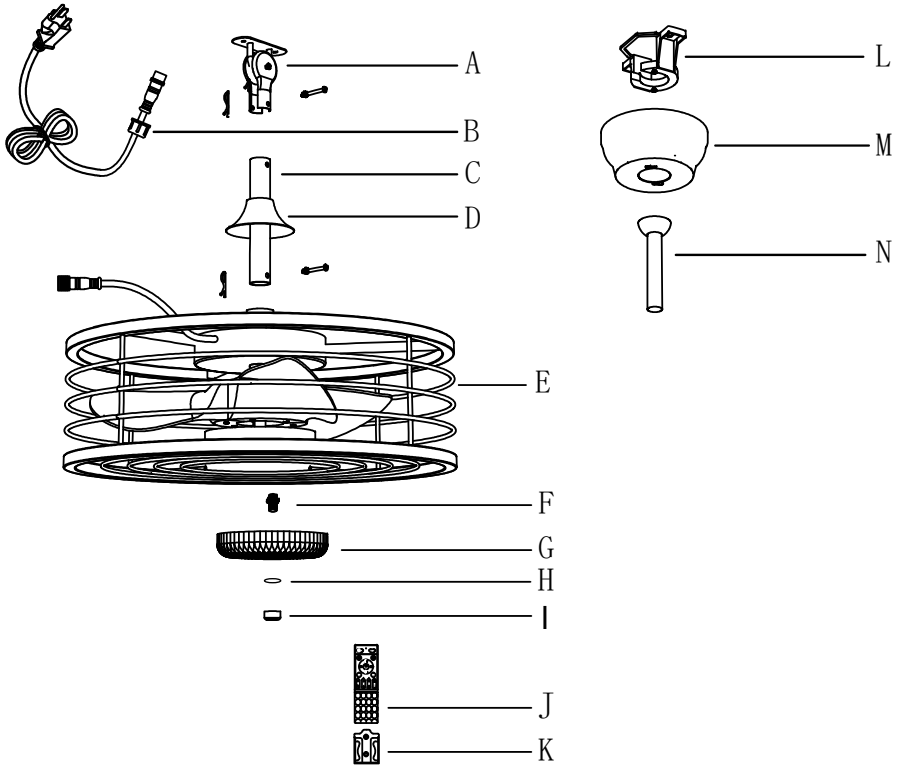


Scan for Installation Video



APP Control Applicable

Packing List



Part	Description	Quantity
A	Pulley Assembly	1
B	Power Cord	1
C	20cm Downrod	1
D	Coupling Cover	1
E	Fan Assembly	1
F	Double End Bolt	1
G	Light Shade	1

Part	Description	Quantity
H	Silicon Washer	1
I	Cap Nut	1
J	Remote Control	1
K	Remote Holder	1
L	Bracket	1
M	Canopy	1
N	10cm Downrod Assembly	1

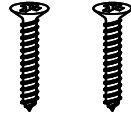
Installation kit



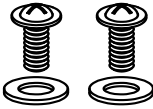
AA



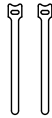
BB



CC



DD



EE



FF

Part	Description	Quantity
AA	Pair of Gloves	1
BB	Clevis Pin & "R" Pin (assembled)	3 Set
CC	Wood Screw (optional)	2
DD	Machine Screw & Washer for Outlet Box (spares)	2
EE	Cord Tie	2
FF	Hex Wrench	1

Note:

1. For your convenience, you may receive extra hardware.
2. One set of the parts "BB" is installed on the 20cm downrod (C). Two sets are installed on the pulley assembly (A).

Safety Rules

1. Be sure the power to the wires you are working on is disconnected, either the fuse is removed or the circuit breaker is turned off. Turning the power off using the light switch is not sufficient to prevent electrical shock.
2. A qualified licensed electrician is required for the installation.
3. The outlet box and support structure must be securely mounted and capable of reliably /supporting a minimum of 70 pounds. Use only UL (cUL for Canadian Installation) listed mounting boxes marked "FOR FAN SUPPORT".
4. The fan must be mounted with a minimum of 7 feet clearance from the trailing edge of the blades to the floor.
5. Do not operate reversing switch while fan blades are in motion (if applicable). Fan must be turned off and blades stopped before reversing blade direction.
6. Do not place any objects in the path of the blades.
7. To avoid personal injury or damage to the fan and other items, be cautious when working around or cleaning the fan.
8. Do not use water or detergents when cleaning the fan or fan blades. A dry dust cloth or lightly dampened soft cloth will be suitable for the cleaning.
9. After marking electrical connections, spliced conductors should be turned upward and pushed carefully up into outlet box. The wires should be spread apart with the grounded conductor on one side of the outlet box.
10. Electrical diagrams are reference only, different fan light may have different light shade and bulbs.
11. Use only our replacement parts. This equipment has been tested and found to comply with the limits for a class B digital device, pursuant to part 15 of the FCC Rules. These limits are to provide reasonable protection against harmful interference in a residential installation. This equipment generates, uses and can radiate radio frequency energy and if not installed and used in accordance with the instructions may cause harmful interference to radio communications.

Warning:

To reduce the risk of personal injury, use only the two steel screws and washers provided with the outlet box for mounting to the outlet box. Most outlet boxes commonly used for the support of lighting fixtures are not acceptable for fan support and need to be replaced, consult a qualified electrician if in doubt.

To reduce the risk of fire, electric shock or person injury, mount fan to outlet box marked "acceptable for fan support".

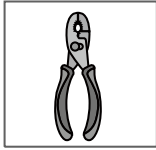
To reduce the risk of personal injury, do not bend the blade brackets (also referred to as flanges) during assembly or after installation. Do not insert objects in the path of the blades.

Installation Preparation

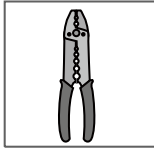
Tools You Need



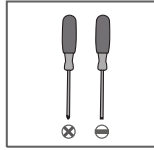
Ladder



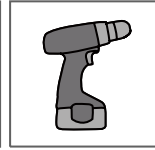
Pliers



Wire Strippers



Screwdrivers



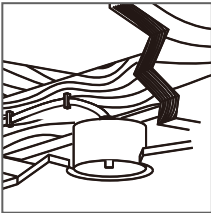
Power Drill (optional)



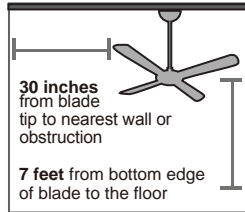
Drill Bit (optional)

If mounting to a support structure, you will also need the optional tools.

What to Expect with Your Installation



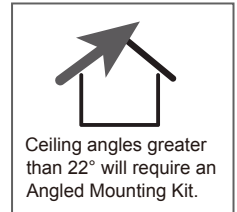
Must be able to secure the fan to building structure or fan-rated outlet box



Assess location



Check the box to see the weight of the fan



Angled ceiling applicable

Installation Step 1 (Assemble the Fan)

Installation note: This product offers three hanging methods. Please choose the appropriate one according to your situation.

Option 1 & Option 2

Attach to solid wood structure or ceiling hook

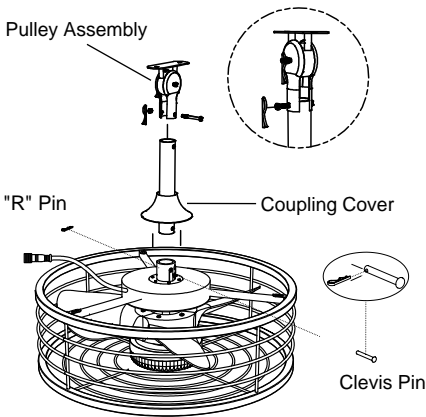
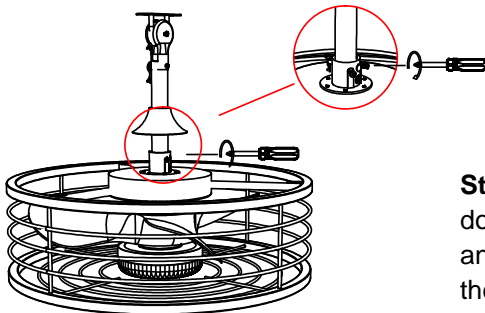


Fig.1

Step 1. Remove the clevis pin and "R" pin from the pulley assembly. Install the downrod, reinsert the clevis pin, secure with the nut, and then put back the "R" pin.

Note: If the fan is installed using a hook method, this step should be replaced with **Step 1** and **Step 2** of Option 2 in **Installation Step 3 (Hang the Fan)**.

Step 2. Assemble the coupling cover onto the downrod, align the holes of the downrod with those in the fan assembly, insert the clevis pin and "R" pin.

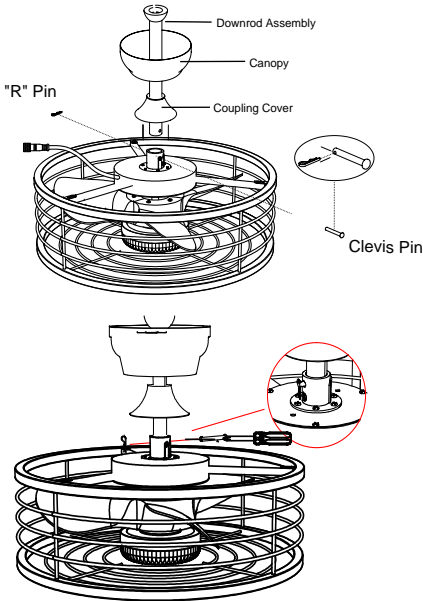


Step 3. Tighten the screws on the downrod hub to secure the downrod, and then fit the coupling cover onto the fan assembly.

Installation Step 1 (Assemble the Fan)

Option 3

Attach to outlet box

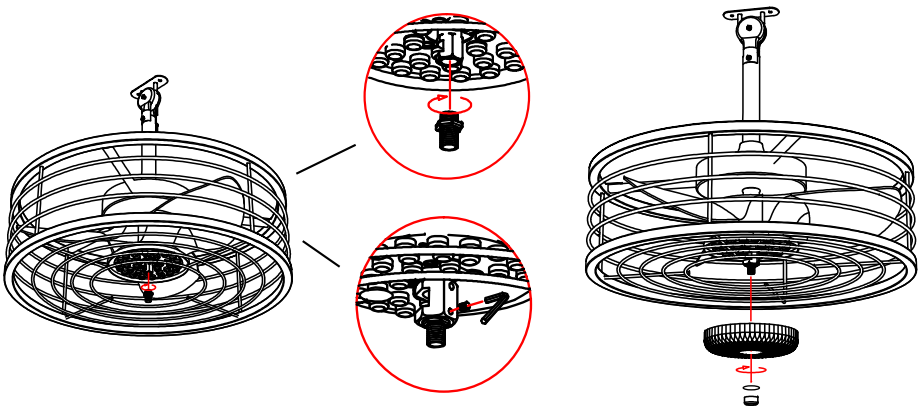


Step 1. Remove the clevis pin and "R" pin from the 20cm downrod (C).

Step 2. Assemble the canopy and coupling cover onto the downrod assembly, align the holes of the downrod with those in the fan assembly, insert the clevis pin and "R" pin.

Step 3. Tighten the screws on the downrod hub to secure the downrod, and then fit the coupling cover onto the fan assembly.

Installation Step 2 (Assemble the Light Shade)



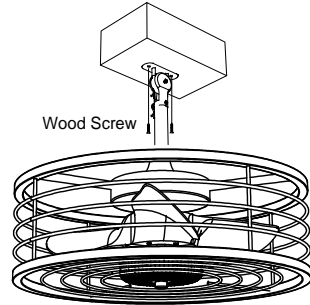
Step 1. Screw the double end bolt into the hub and secure it with the side screw.

Step 2. Attach the light shade and secure with silicon washer and cap nut.

Installation Step 3 (Hang the Fan)

Option 1

Attach to solid wood structure



Fix the mounting bracket onto the solid wood structure with 2 wood screws.

Option 2

Attach to ceiling hook

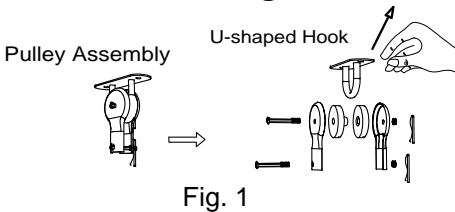


Fig. 1

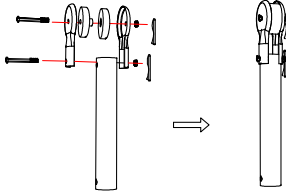


Fig. 2

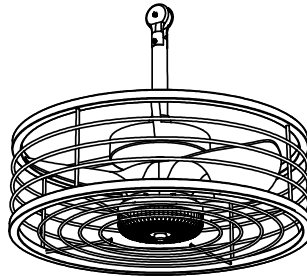
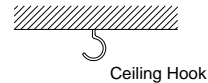


Fig. 3

Step 1. Remove the two pairs of clevis pins and the "R" pin from the pulley assembly, and take out the U-shaped hook. (Fig. 1)

Step 2. Assemble the remaining parts of the pulley assembly and the downrod using the clevis pins and "R" pins. (Fig. 2)

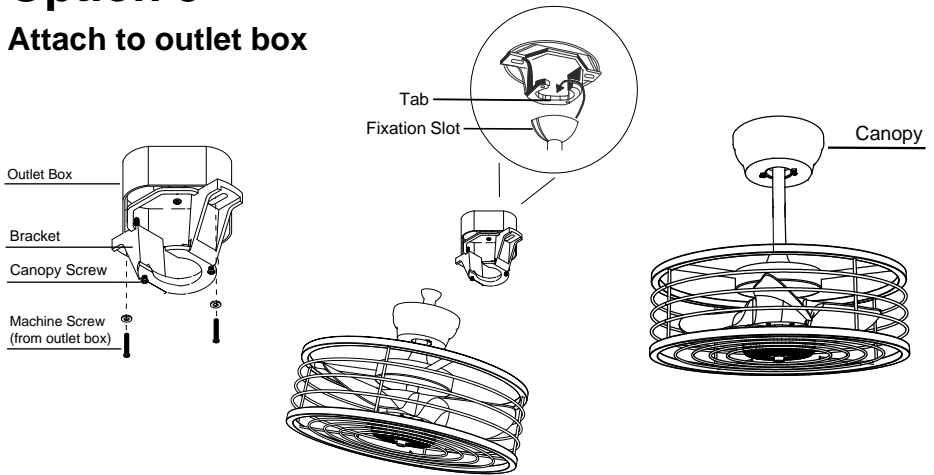
Step 3. The assembly method for the downrod and coupling cover can be referred to in the **Step 2** and **Step 3** of Option 1 & Option 2 in **Installation Step 1 (Assemble the Fan)**.

Step 4. Hang the installed fan directly onto the hook. (Fig. 3)

Installation Step 3 (Hang the Fan)

Option 3

Attach to outlet box

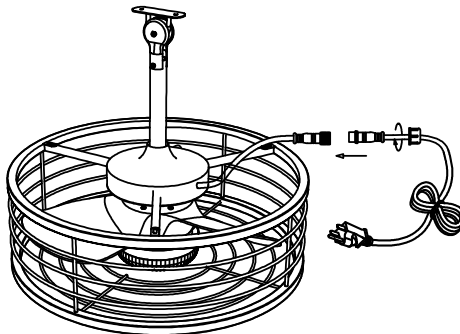


Step 1. Fix the mounting bracket onto the outlet box with screws and washers from the outlet box or provided (DD). And then loosen the canopy screws but do not take off.

Step 2. Lift the downrod into the mounting bracket. Rotate the downrod until the tab in the bracket is seated in the fixation slot in the downrod ball.

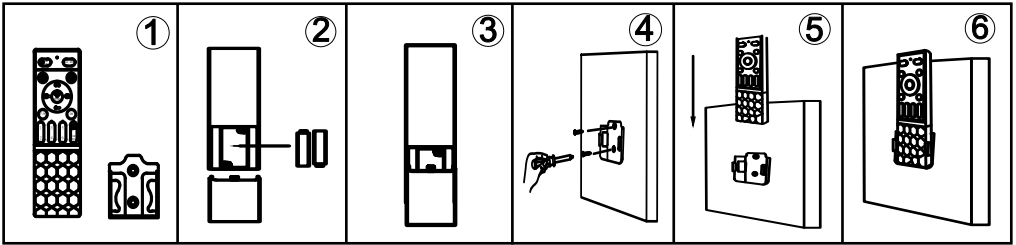
Step 3. Raise the canopy to the ceiling, twist it to lock onto the screws, and then tighten the screws to secure the canopy.

Installation Step 4 (Connect the Power Cord)



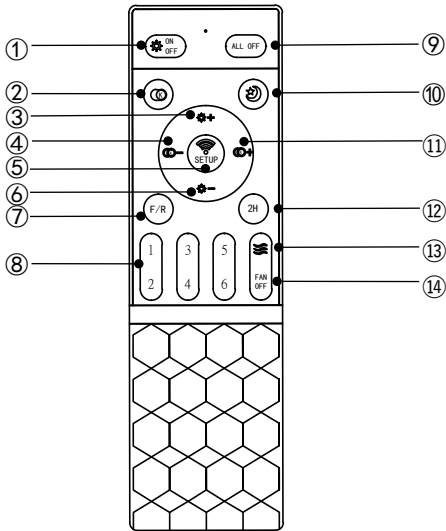
Connect the power cord and tighten the nut on it to secure the connection.

Installation Step 5 (Install the Remote Holder)



1. Insert 2 batteries before using: AAA 1.5V battery x 2pcs (not included)
2. Install the remote holder onto the wall with screws.

Remote Control Instructions



Signal Pairing: If the remote control loses signal from the fan, press and hold the Signal Pairing button ⑤ at the beginning after turning on the wall switch until the light flashes. This will pair the remote control to the fan.

- ① Turn on/off the light.
- ② Quick switch of the light color: Yellow Light → White Light → Natural Light
- ③⑥ Change the brightness of the light.
- ④⑪ Change the color temperature of the light.
- ⑦ Alternate the fan's rotation between forward and reverse.
- ⑧ Turn on the fan on 1/2/3/4/5/6 speed.
- ⑨ Turn off the fan and light.
- ⑩ Night Mode: Press to dim the light.
- ⑫ 2 hours for timing the fan.
- ⑬ Natural wind. The fan's speed will change automatically.
- ⑭ Turn off the fan.

Trouble Shooting

1. Fan does not work

- Make sure the fixture is connected to an ON/OFF wall switch, not a dimmer switch.
- Check the remote control battery (not included in this package).
- Check the circuit breaker to ensure the power is on.
- Turn off power from the circuit breaker, then loosen the canopy and check all the connections according to the wiring diagram.

2. Lights do not light up / flicker / noisy operation

- Make sure the fixture is connected to an ON/OFF wall switch, not a dimmer switch.
- Check your power and switch to make sure it's powered on.

3. Noisy operation

- Re-tighten all screws on the bracket.
- Check to see if any of the blades are cracked. If so, replace the blades.

4. Remote does not work

- Make sure the battery is installed correctly.
- Pair the remote control again (See page 9).
- Install two new batteries.

Clean And Care

To clean, wipe the fixture with soft cloth. Spray from chemical cleaners can discolor the finish of the fixture. Do not use scouring pads, powders, steel wool or abrasive paper to clean this fixture.

Ordering Parts

Keep this manual for future reference, and in case replacement parts are needed. Available parts can be ordered from place of purchase. Use exact wording from diagrams when ordering parts.

Contact Information

Please contact us with following information:

1. A screenshot of your order page, including the product picture, name, and order ID number.
2. Details of the problem, including pictures or a short video if possible.

 **Email: lightingcustomercare@gmail.com**