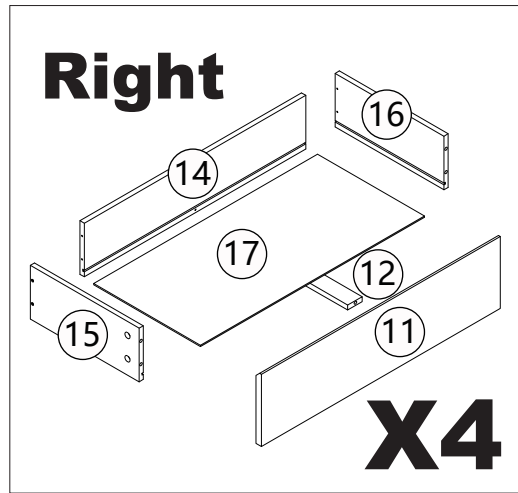
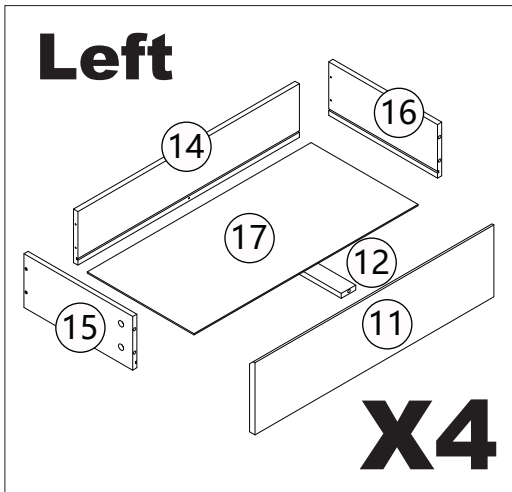
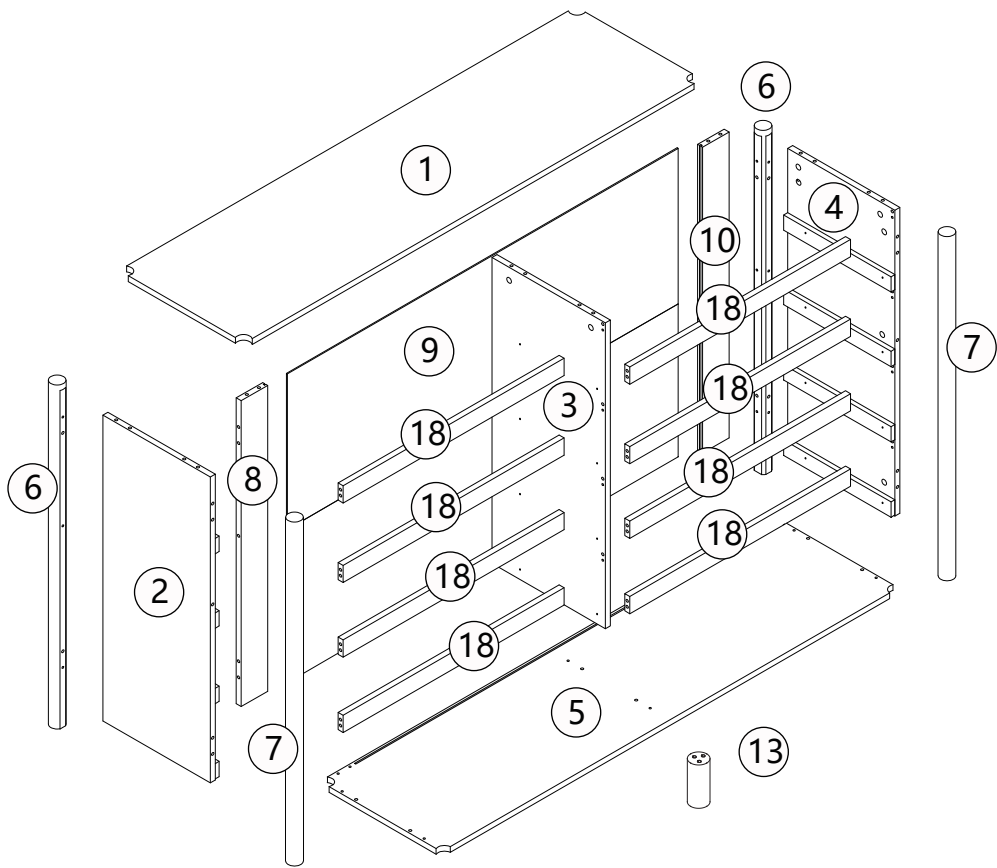
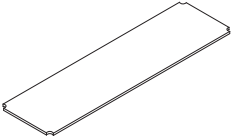
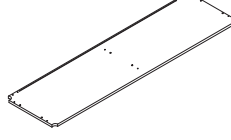
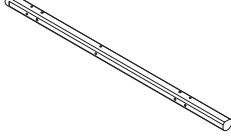
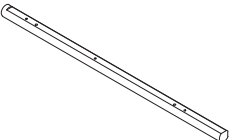
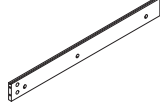
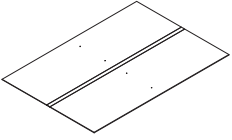
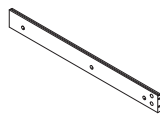
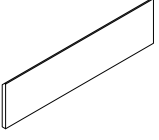

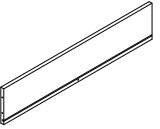
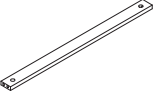

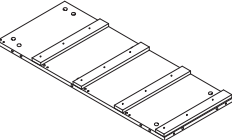
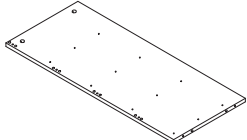
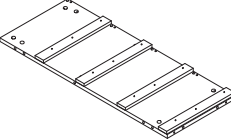
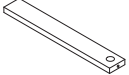
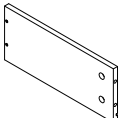
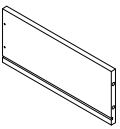
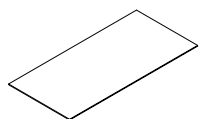


Installation instruction

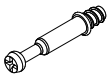


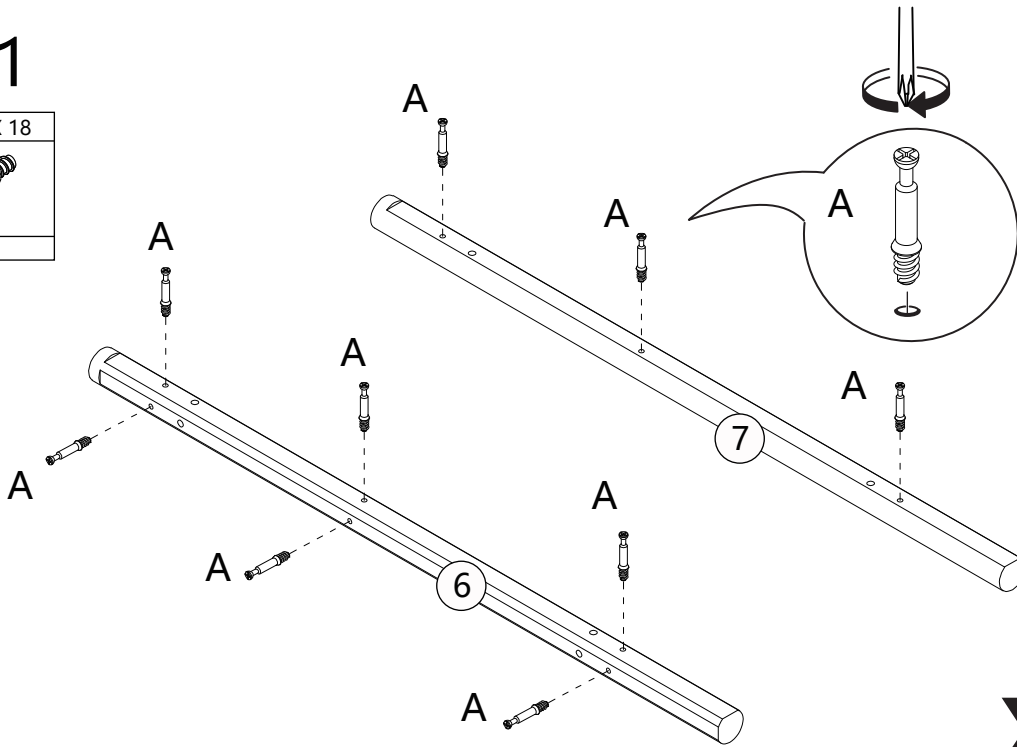
A	X 84	B	X 84	C	X 32	D	X 55	E	X 4	F	X 12	G	X 12
M6*35		Φ15*10		Φ6*30		M4*35		Φ25*3		M3*14			
H	X 4	I	X 96	J	X 4	K	X 1	L	X 6	M	X 1	N	X 2
M3*14		M3*12		Φ6*50				M4*12					
CL	X 8	CR	X 8	DL	X 8	DR	X 8						

1	1PC	5	1PC	6	2PCS	7	2PCS	8	1PC
									
9	1PC	10	1PC	11	8PCS	13	1PC	14	8PCS
									
18	8PCS	Hardware:							
									

2	1PC	3	1PC	4	1PC	12	8PCS	15	8PCS
									
16	8PCS	17	8PCS						
									




STEP 1

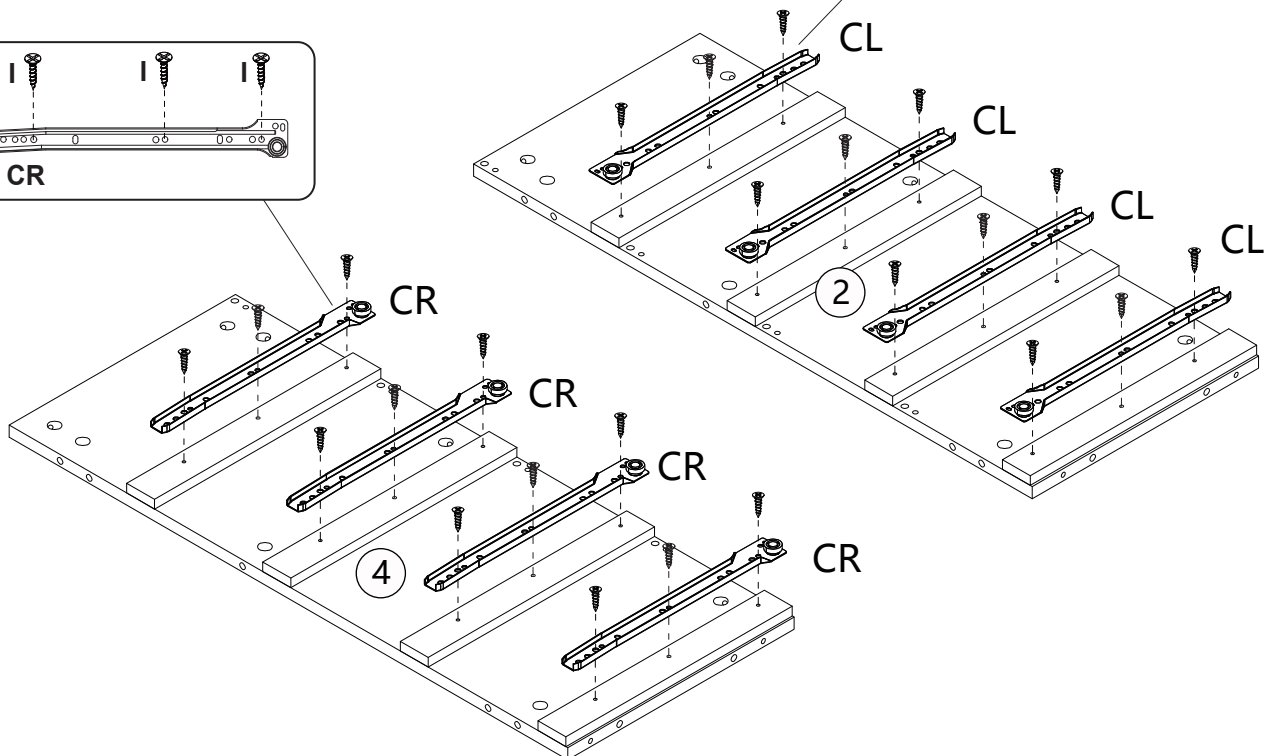
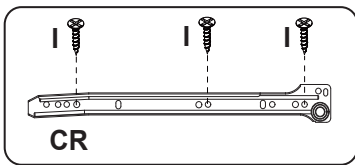
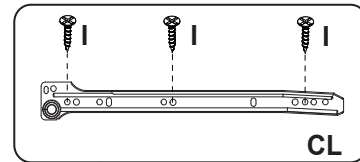
A	X 18
	
M6*35	



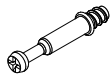
X2

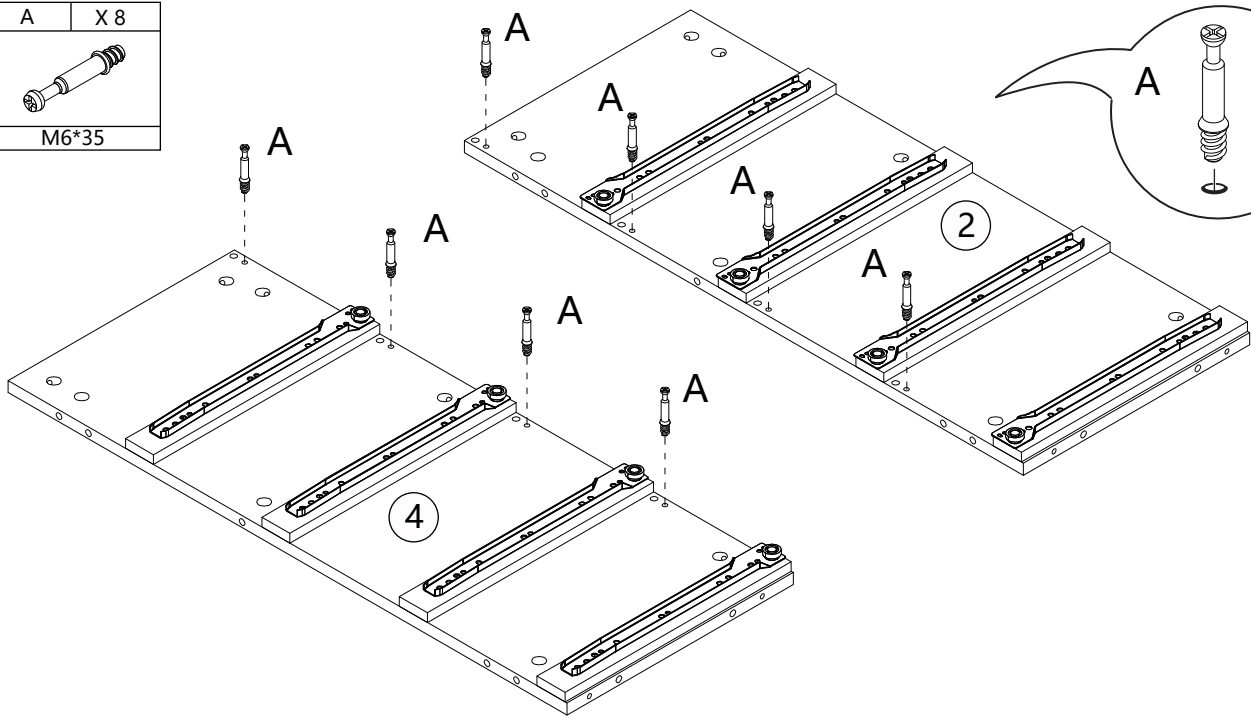
STEP 2

I	X 24	CL	X 4	CR	X 4
					
M3*12					





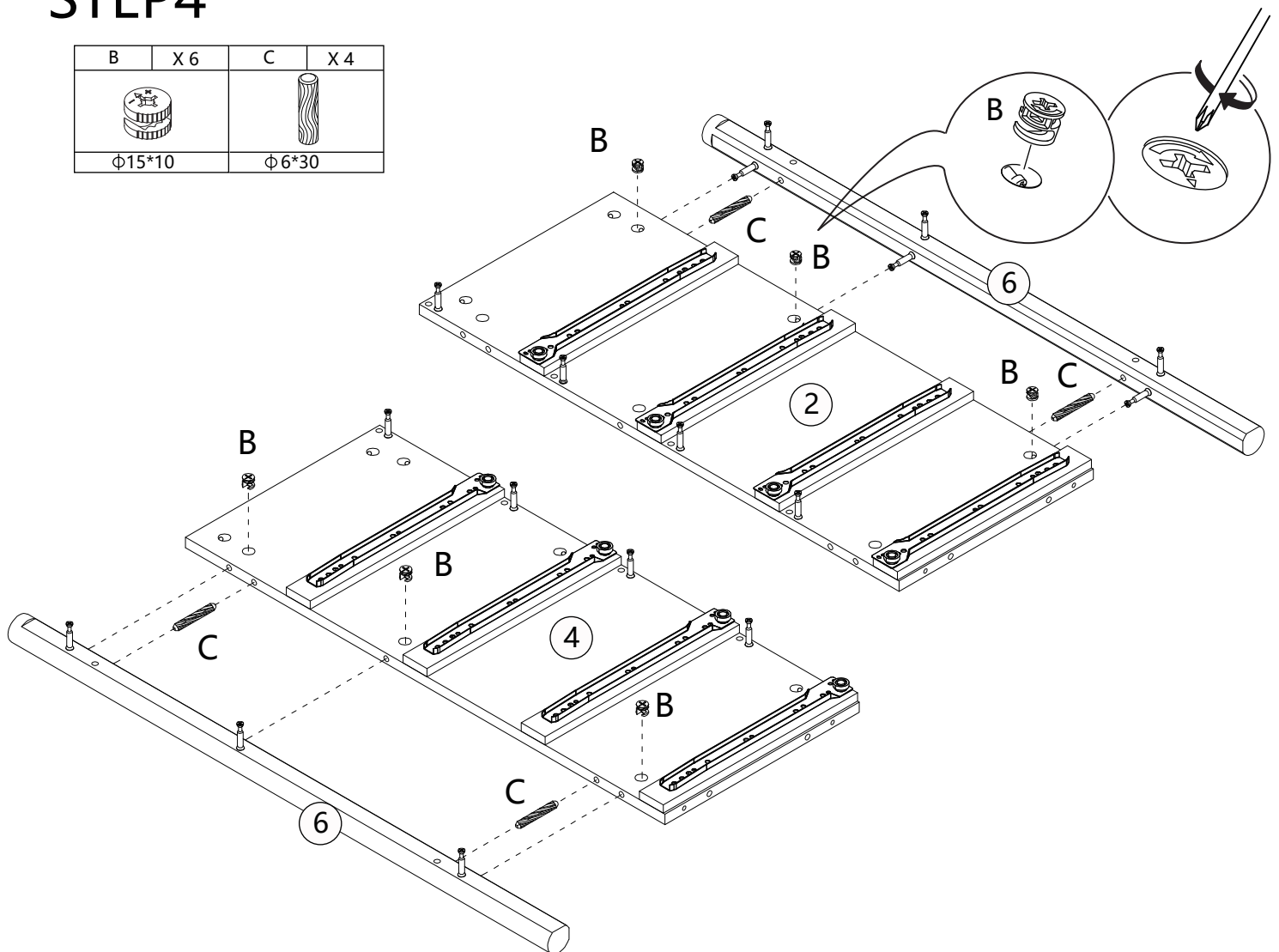
STEP3

A	X 8
	
M6*35	






STEP4

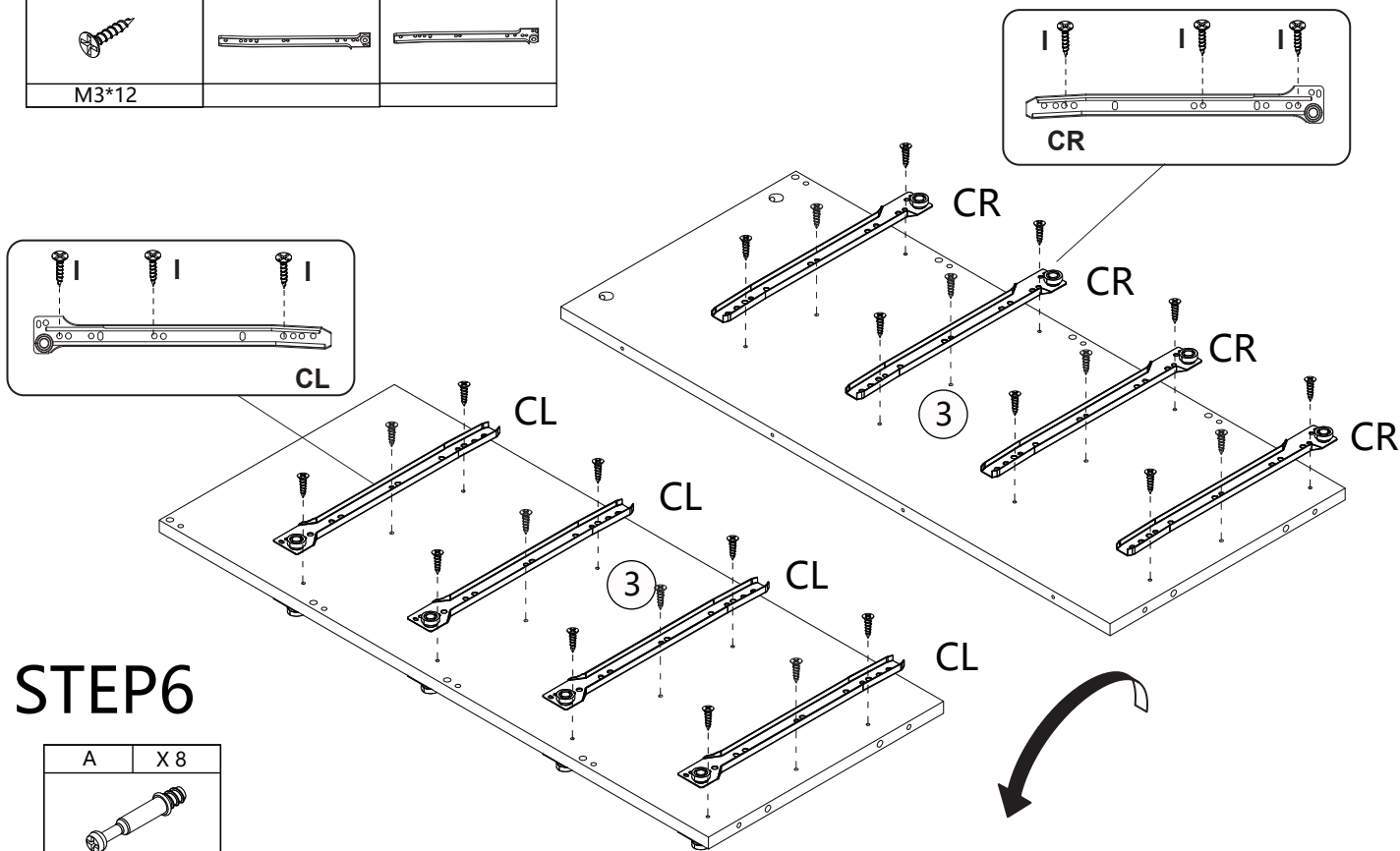
B	X 6	C	X 4
			
Φ15*10		Φ6*30	



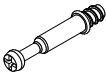
STEP 5

I	X 24	CL	X 4	CR	X 4
					
M3*12					

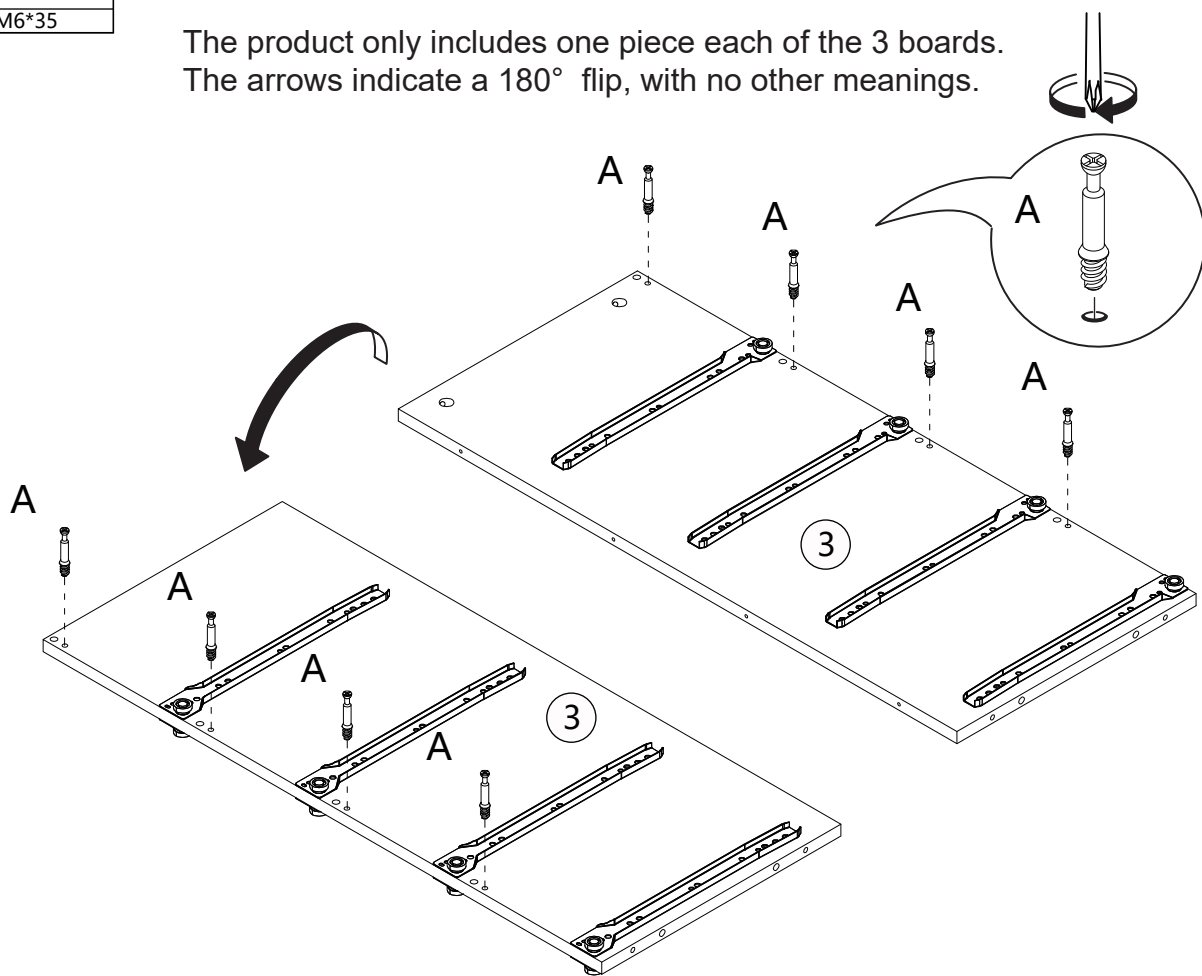
The product only includes one piece each of the 3 boards.
The arrows indicate a 180° flip, with no other meanings.





STEP 6

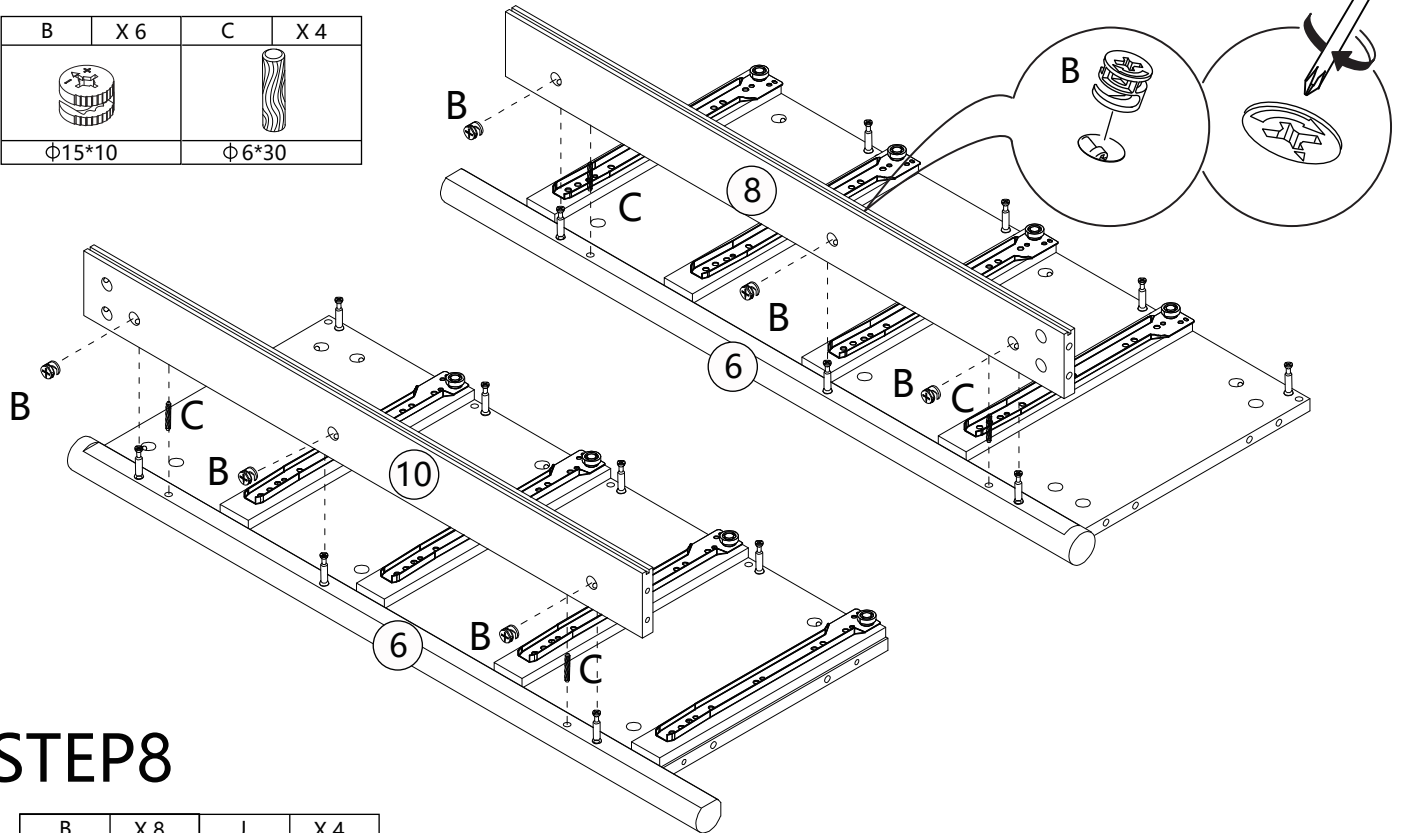
A	X 8
	
M6*35	

The product only includes one piece each of the 3 boards.
The arrows indicate a 180° flip, with no other meanings.





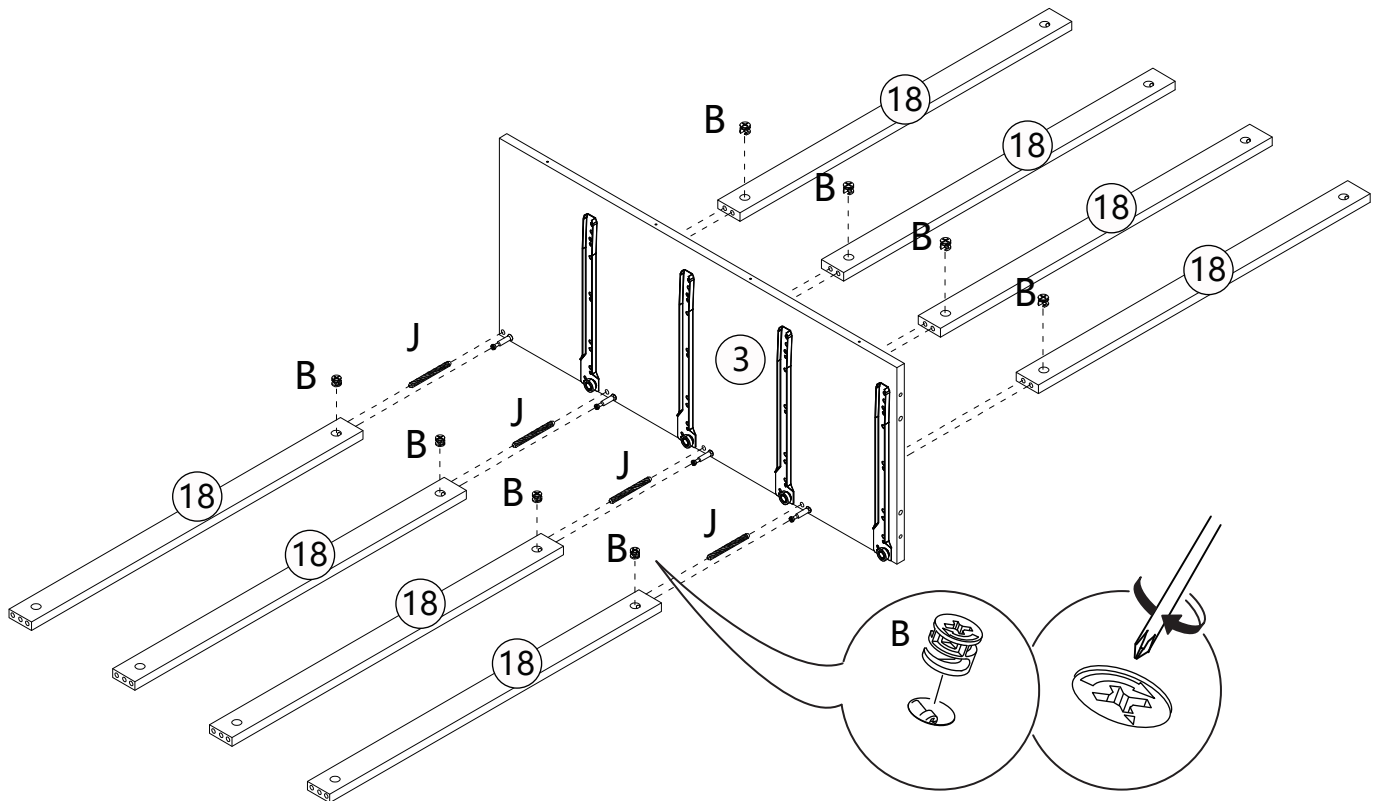
STEP 7

B	X 6	C	X 4
			
$\Phi 15 \times 10$		$\Phi 6 \times 30$	





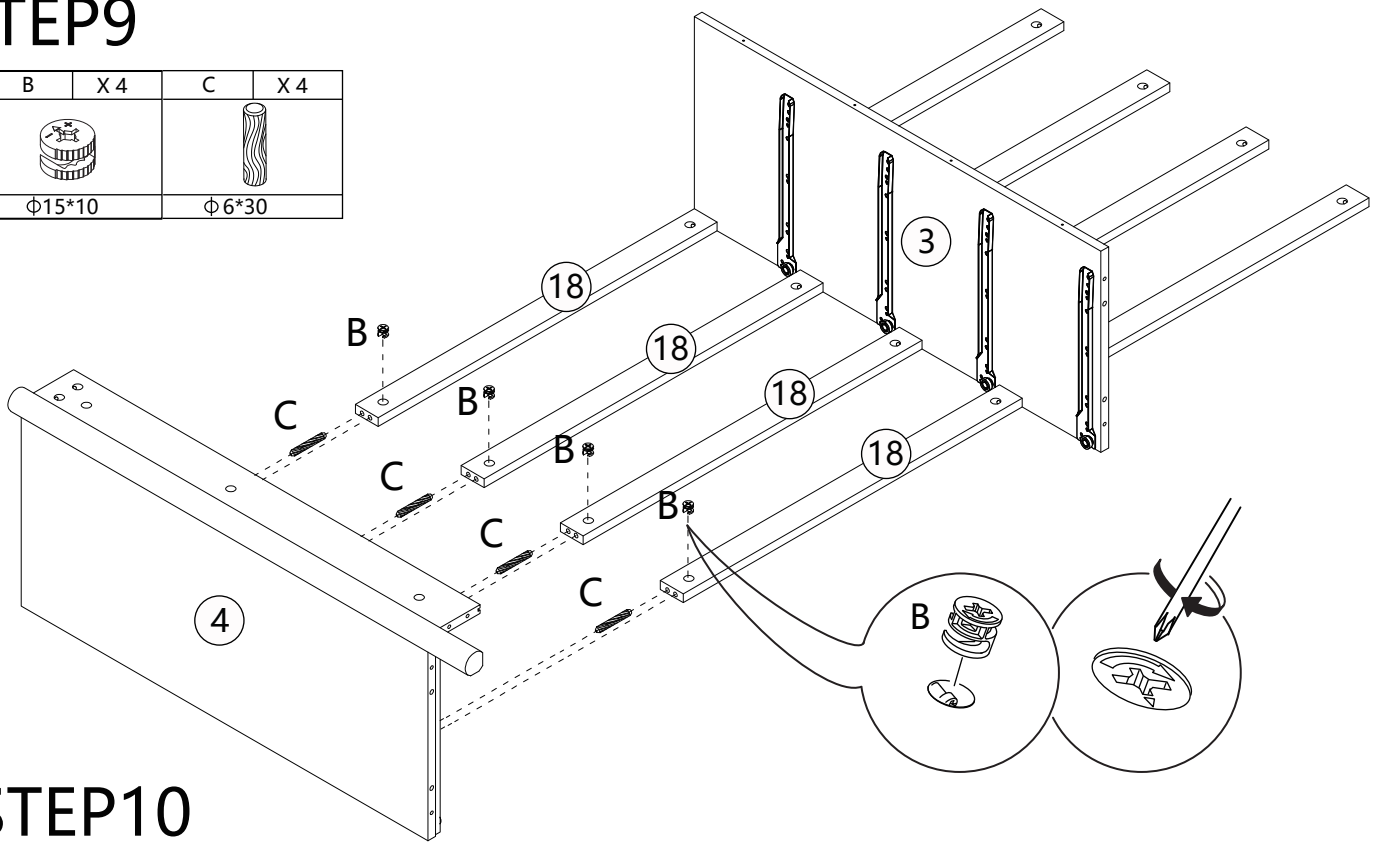
STEP 8

B	X 8	J	X 4
			
$\Phi 15 \times 10$		$\Phi 6 \times 50$	





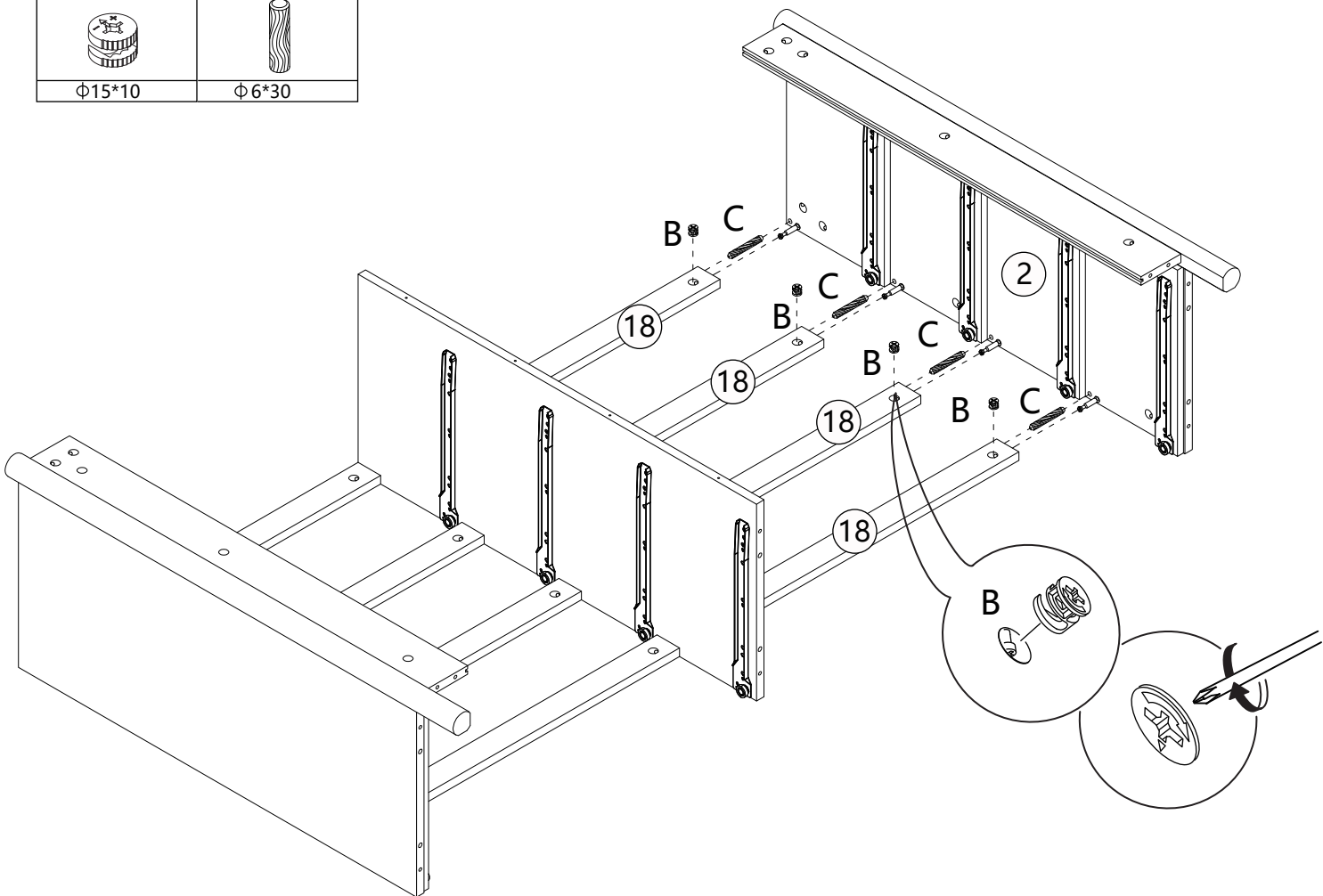
STEP 9

B	X 4	C	X 4
			
$\phi 15 \times 10$		$\phi 6 \times 30$	

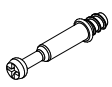

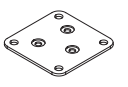




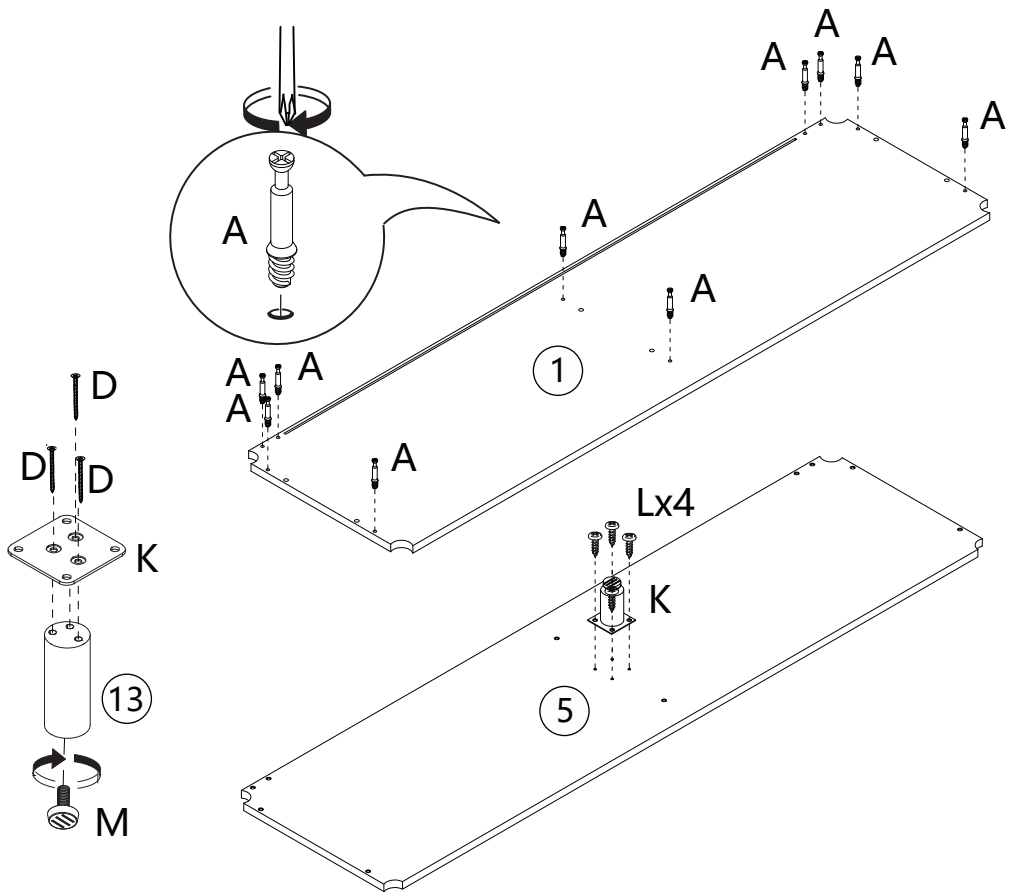
STEP 10

B	X 4	C	X 4
			
$\phi 15 \times 10$		$\phi 6 \times 30$	





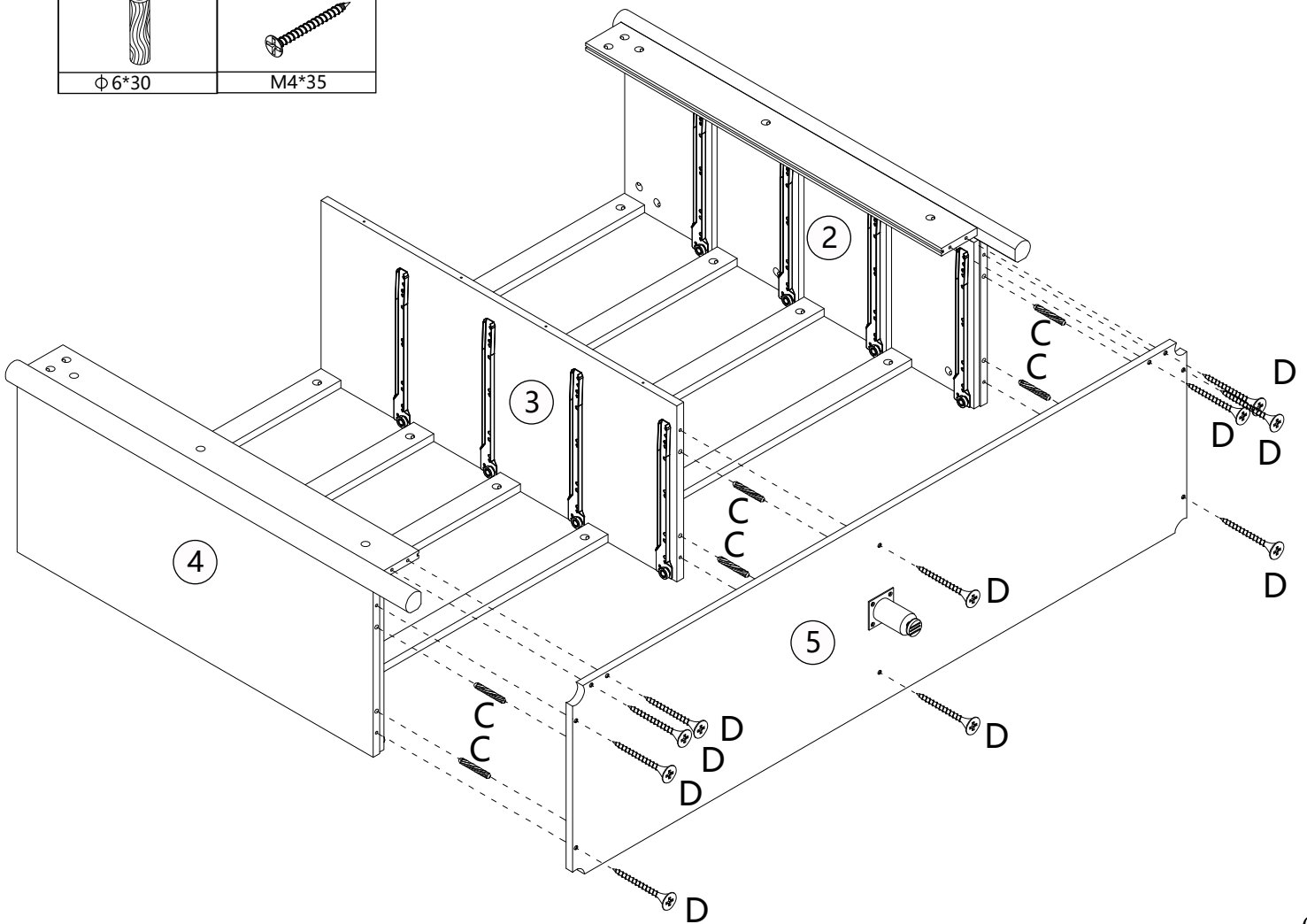
STEP 11

A	X 10	D	X 3
			
M6*35		M4*35	
K	X 1	L	X 4
			
		M4*12	
M	X 1		
			

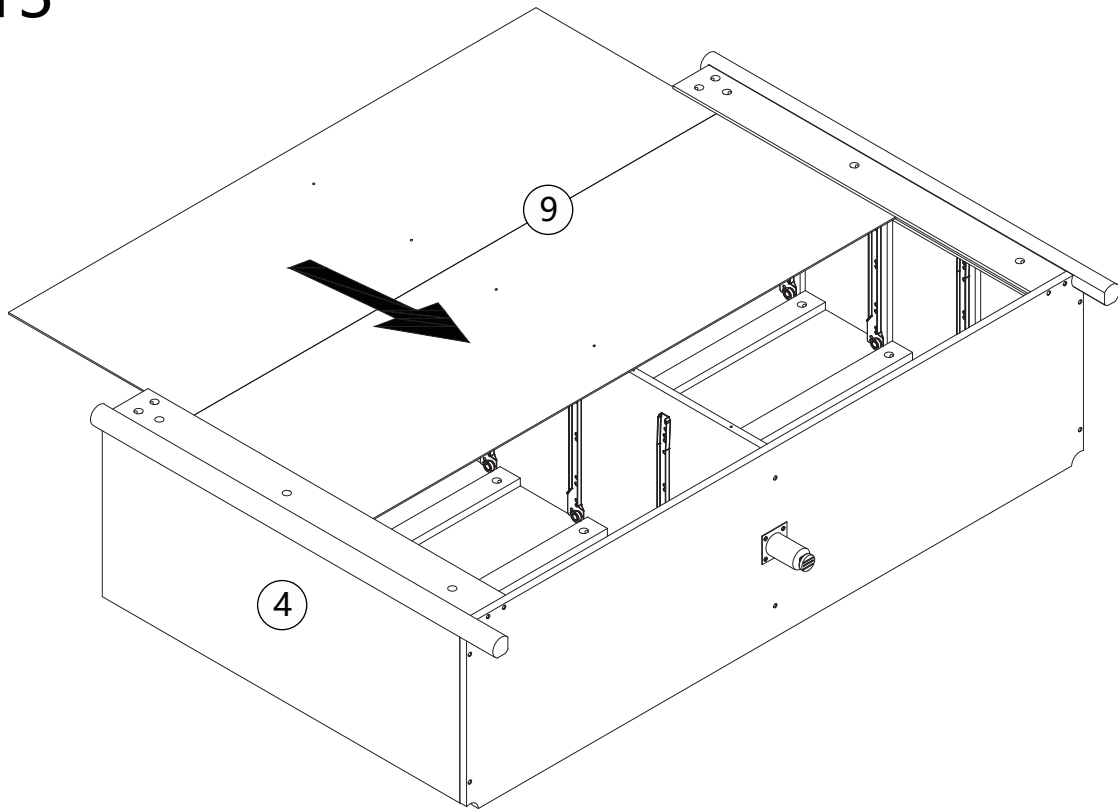


STEP 12

C	X 6	D	X 10
			
Φ 6*30		M4*35	

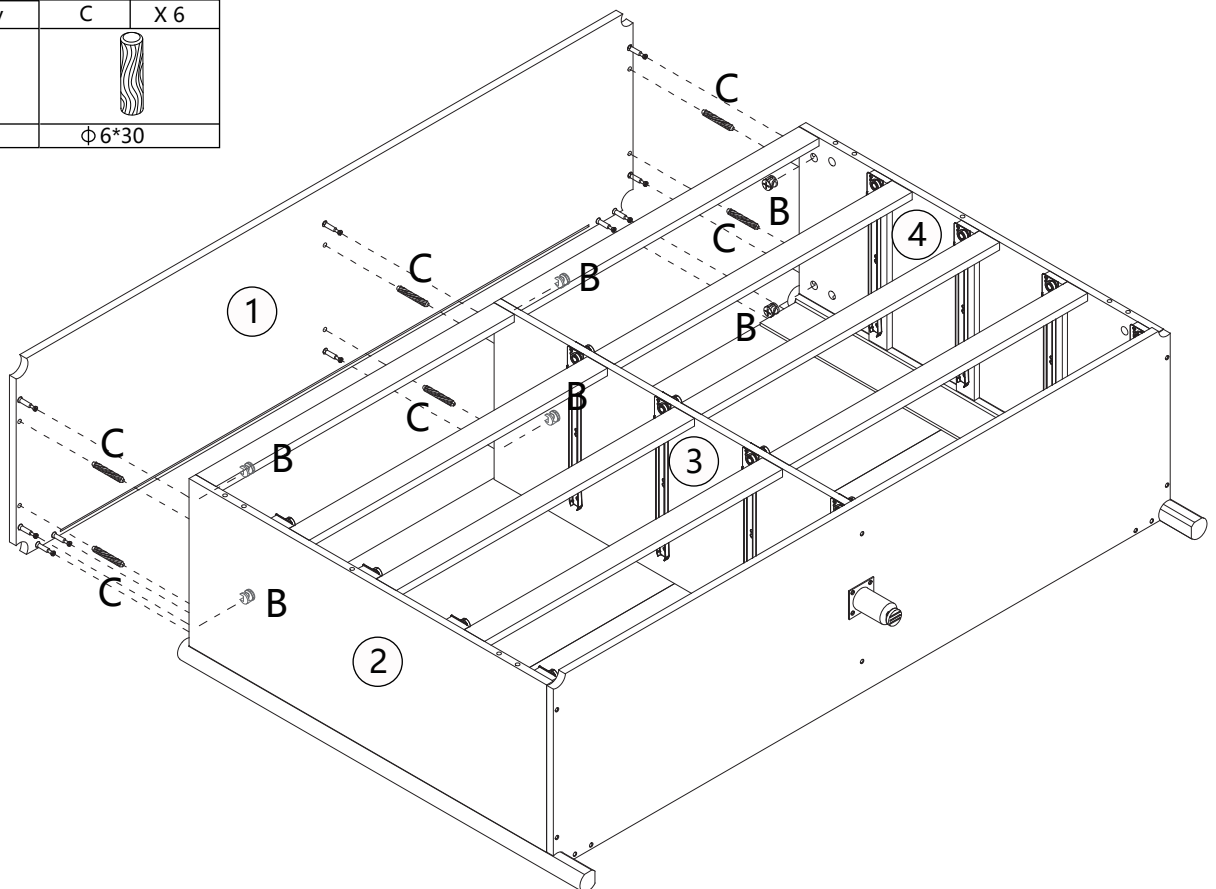


STEP13






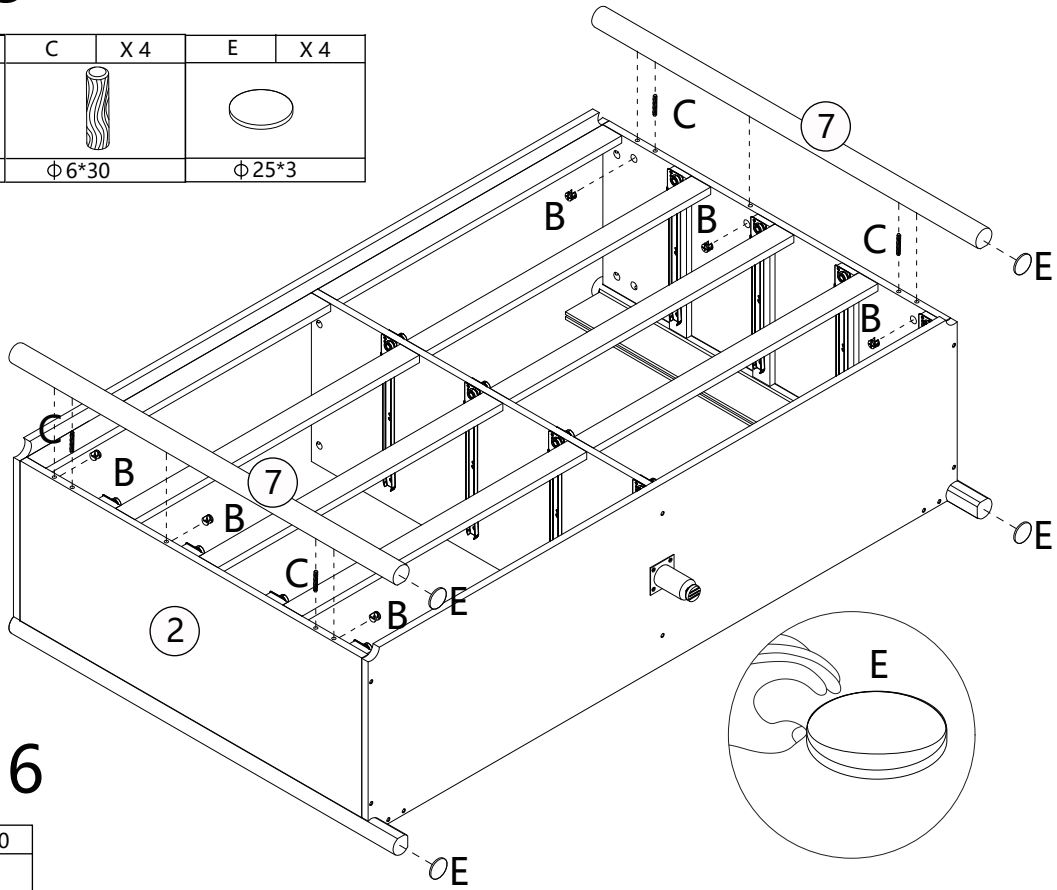
STEP14

B	Xv	C	X 6
$\phi 15*10$		$\phi 6*30$	




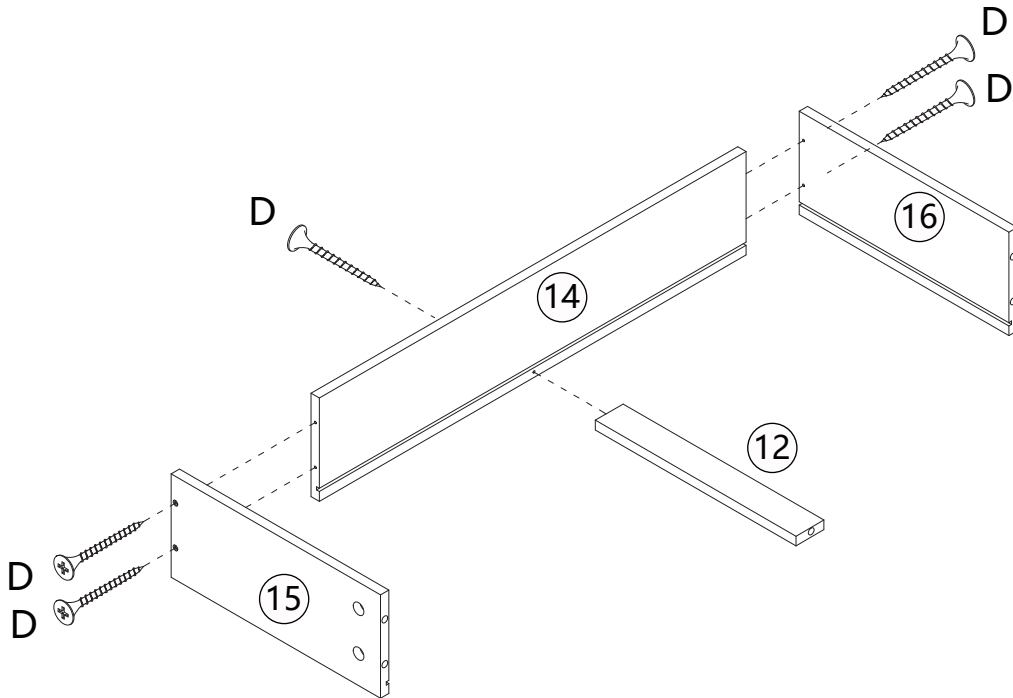
STEP15

B	X 6	C	X 4	E	X 4
					
$\phi 15 \times 10$		$\phi 6 \times 30$		$\phi 25 \times 3$	



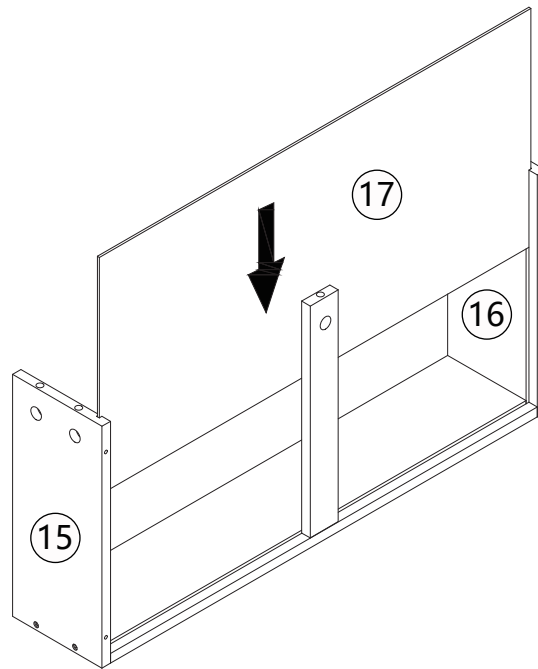
STEP16

D	X 40
	
M4*35	



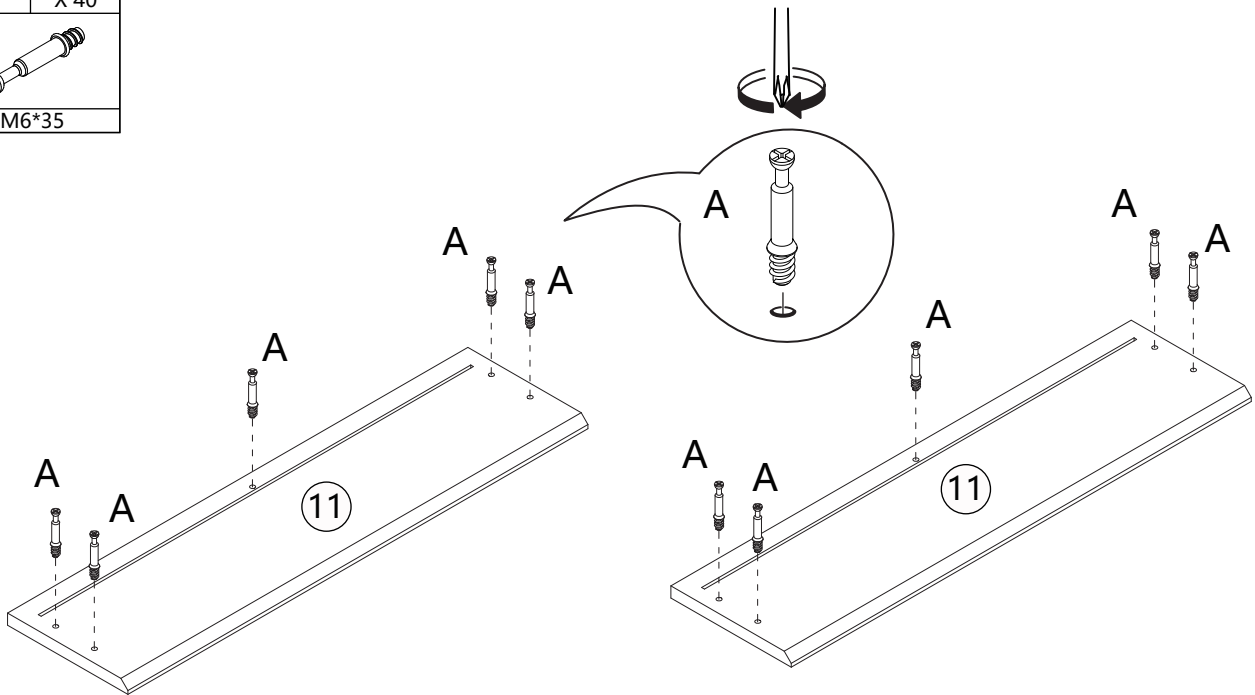
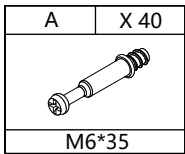
X8

STEP17



X8

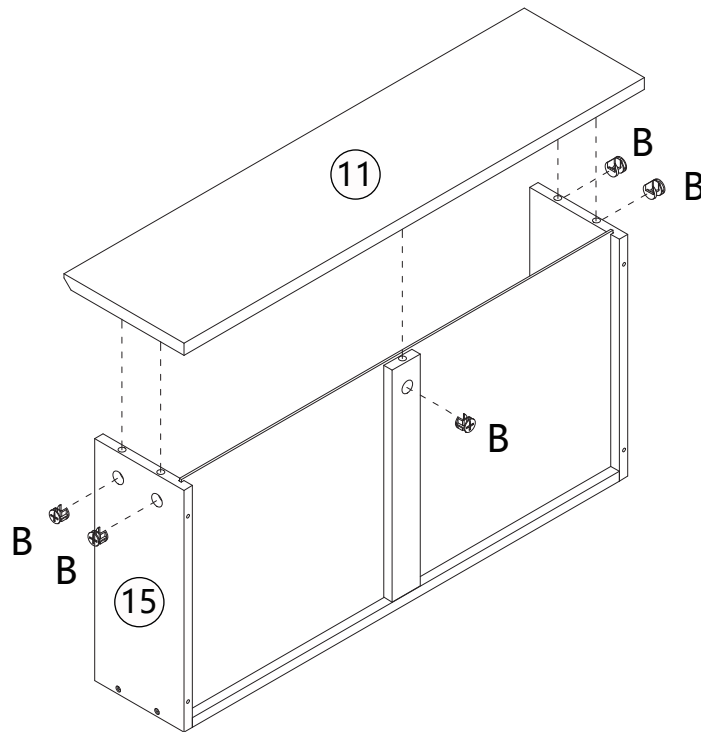
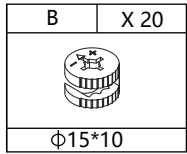
STEP18



Left
X4

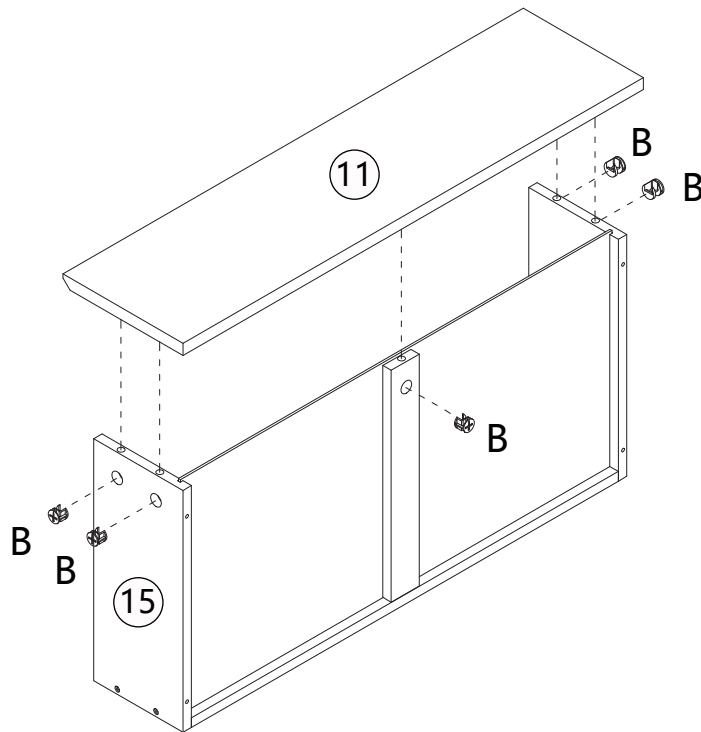
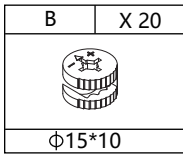
Right
X4

STEP19






**Left
X4**

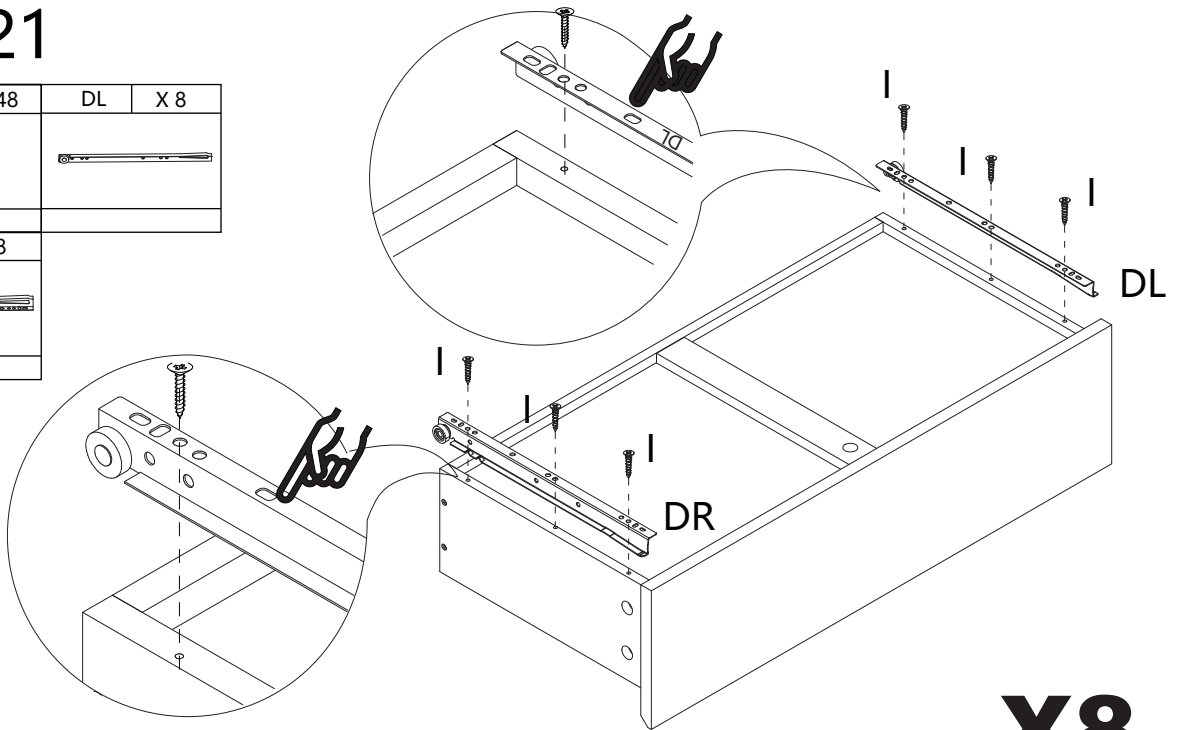
STEP20



**Right
X4**

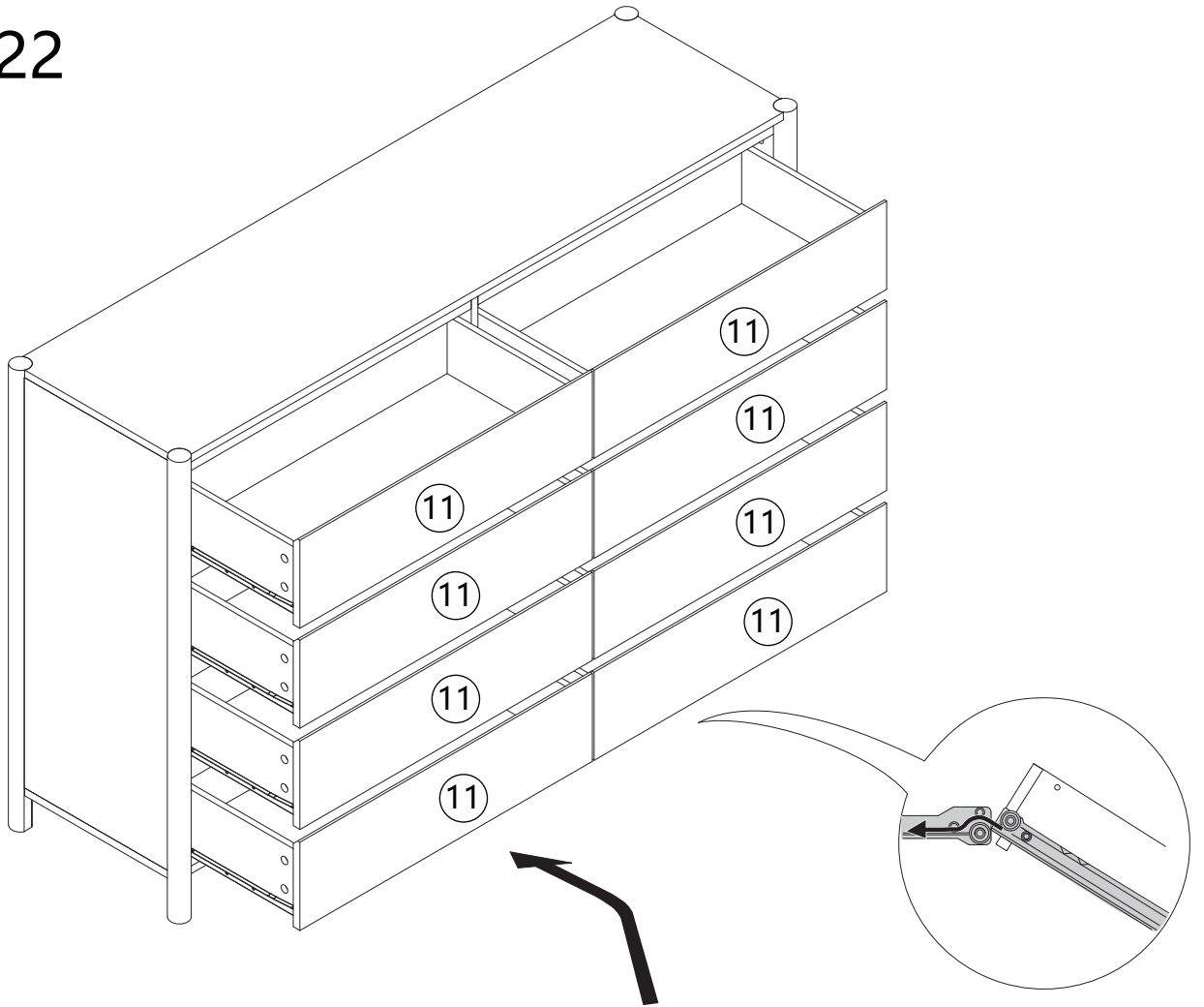
STEP21

I	X 48	DL	X 8
			
DR	X 8		
			







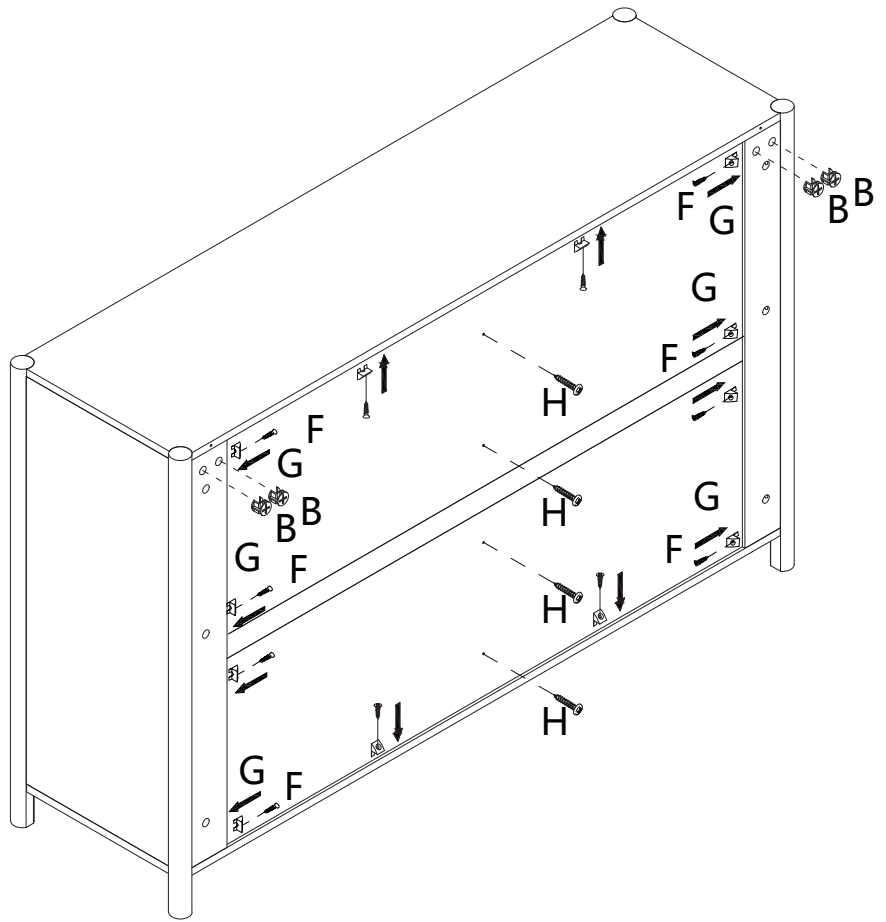
X8

STEP22





STEP23

F	X 12	G	X 12
			
M3*14			
H	X 4	B	X 4
			
M3*14		Φ15*10	



STEP24

D	X 2	L	X 2
			
M4*35		M4*12	
N	X 2		
