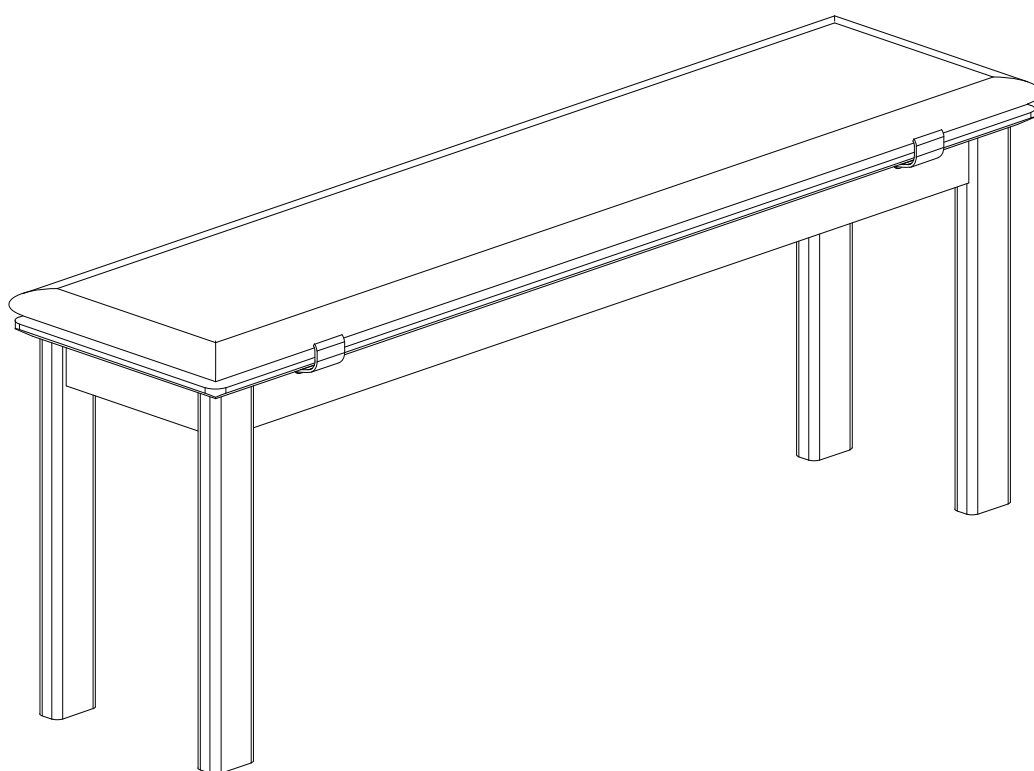


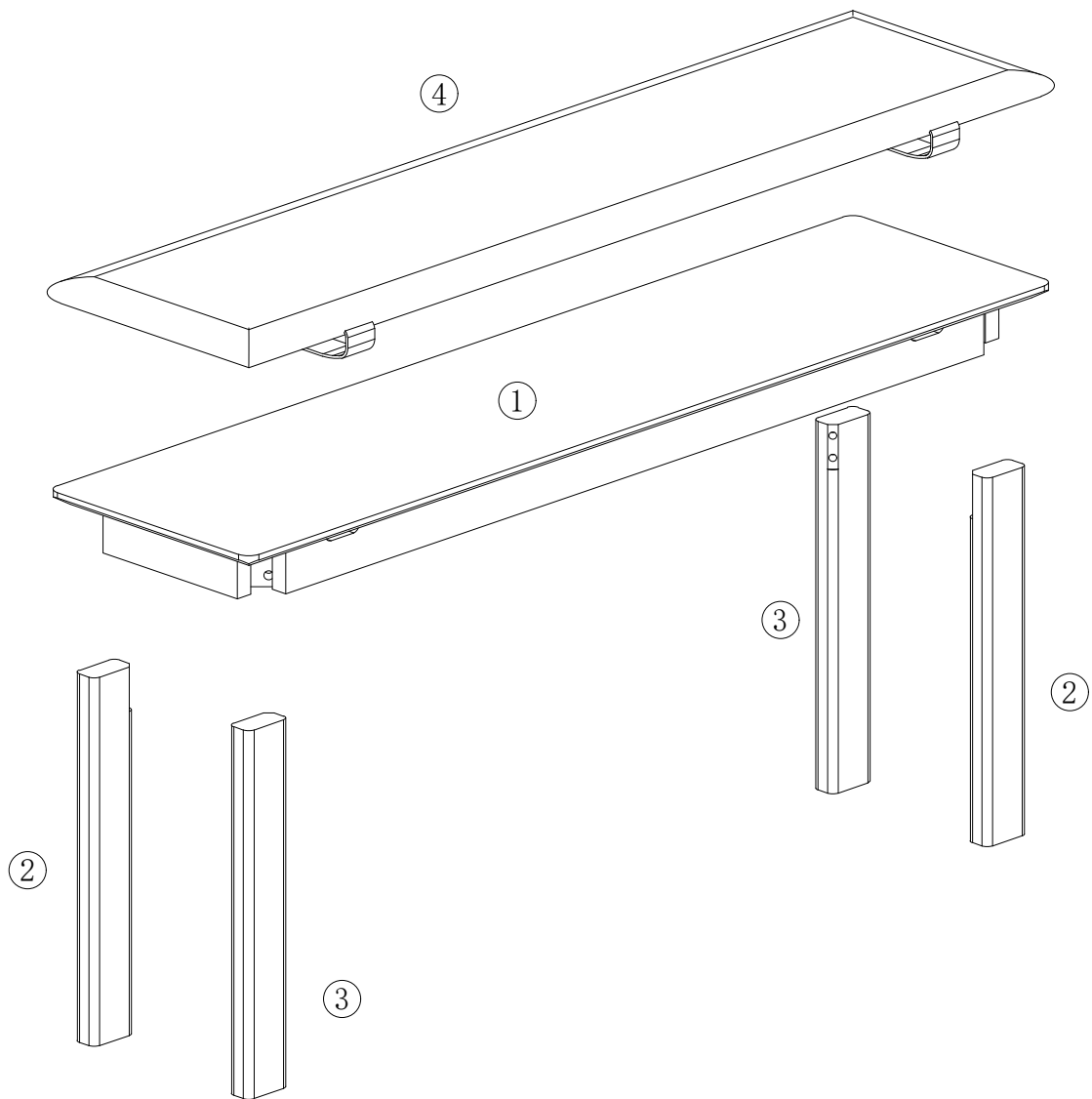
# Dining Bench



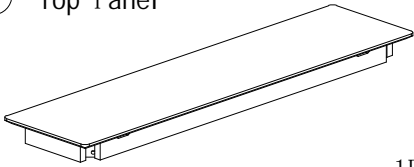
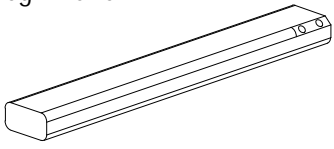
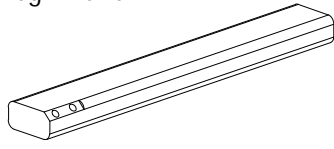
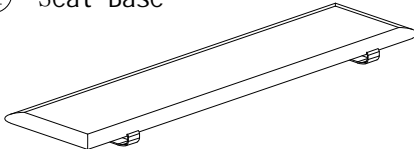
# Installation Diagram

Name

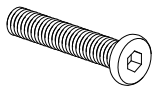

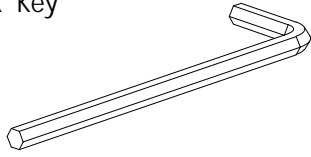
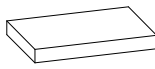
Dining Bench



## Parts List

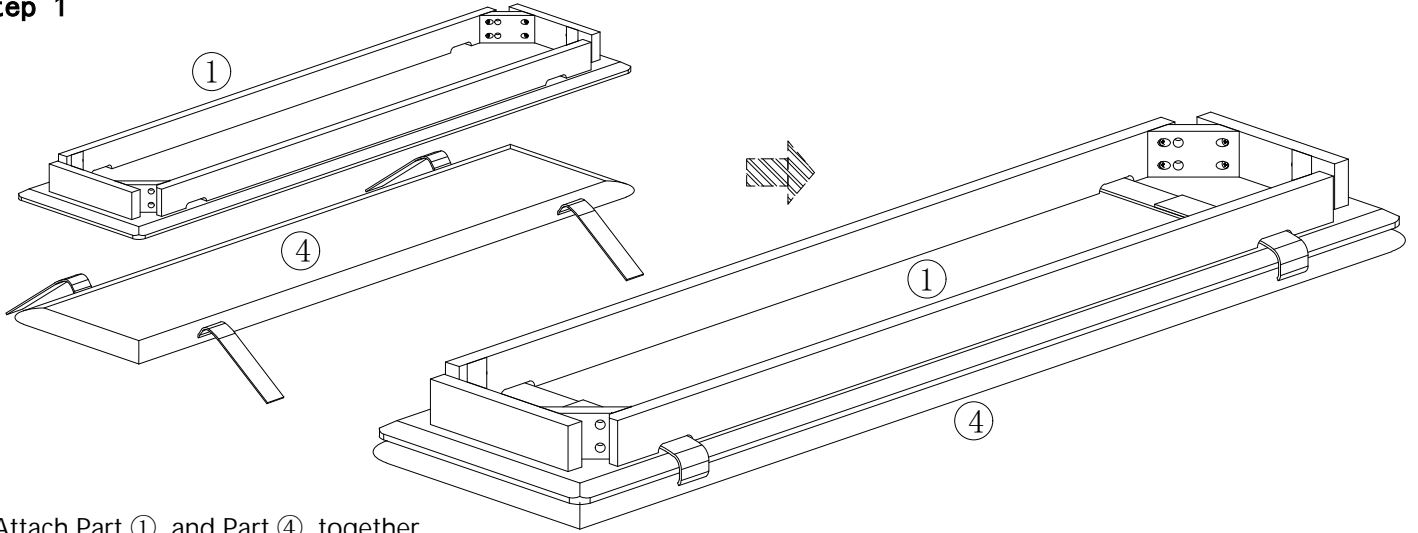
<p>① Top Panel</p>  <p style="text-align: right;">1PC</p>	<p>② Leg Frame 1</p>  <p style="text-align: right;">2PCS</p>	<p>③ Leg Frame 2</p>  <p style="text-align: right;">2PCS</p>
<p>④ Seat Base</p>  <p style="text-align: right;">1PC</p>		

## Hardware List

<p><b>A</b> Flat Head Hex Bolt</p>  <p>M8*55MM <span style="float: right;">8+1PCS</span></p>	<p><b>B</b> Flat Washer</p>  <p>M8*16MM <span style="float: right;">8+1PCS</span></p>	<p><b>C</b> Hex Key</p>  <p>M5*100MM <span style="float: right;">1PC</span></p>
<p><b>D</b> Non-woven Pad</p>  <p>40*20*3MM <span style="float: right;">4PCS</span></p>		

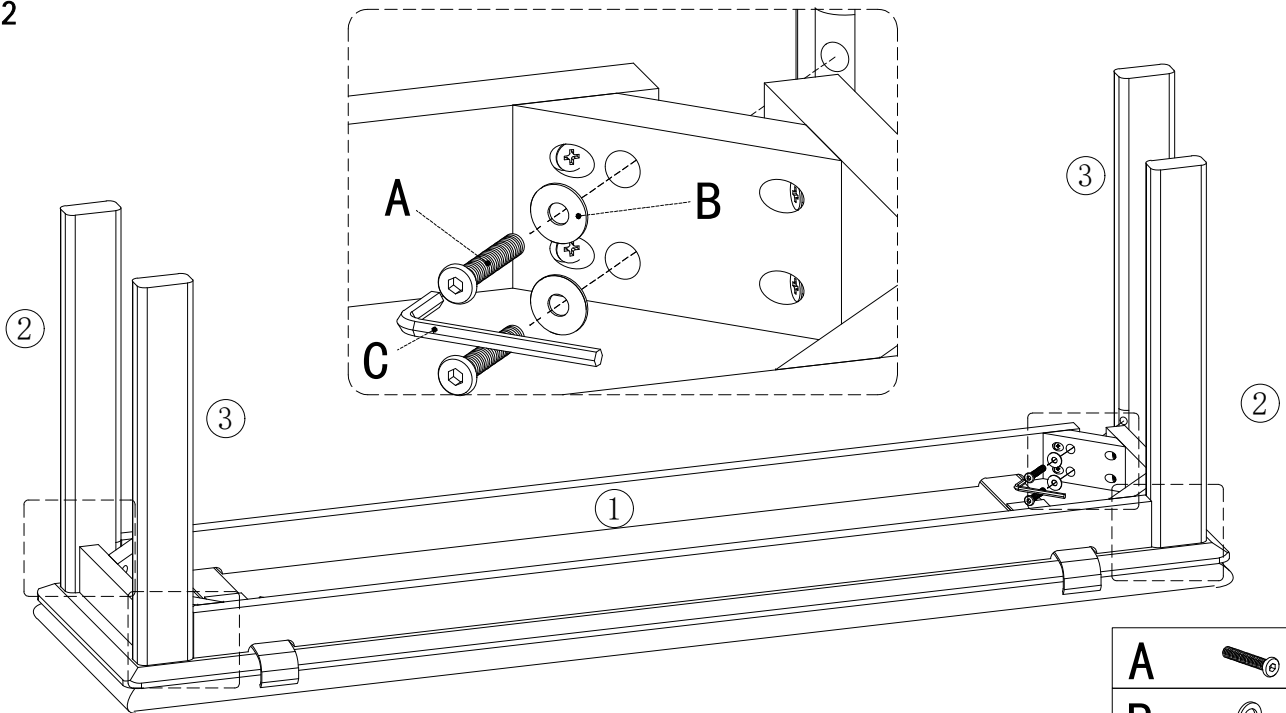
# Name: Dinin\* Bench

## Step 1






● Attach Part ① and Part ④ together

## Step 2

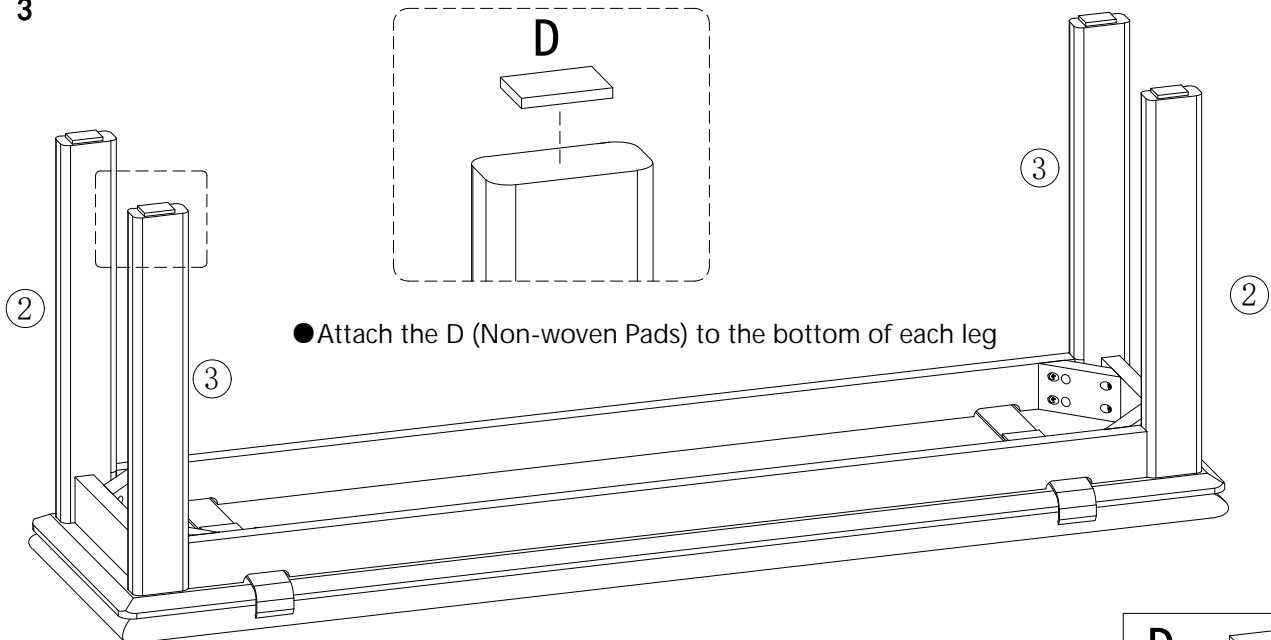


● Connect Part ② and Part ③ with the assembly from Step 1


● Secure them using screws(Hardware A,B,C)

A		X8
B		X8
C		X1

## Step 3



● Attach the D (Non-woven Pads) to the bottom of each leg

D		X4
---	---	----