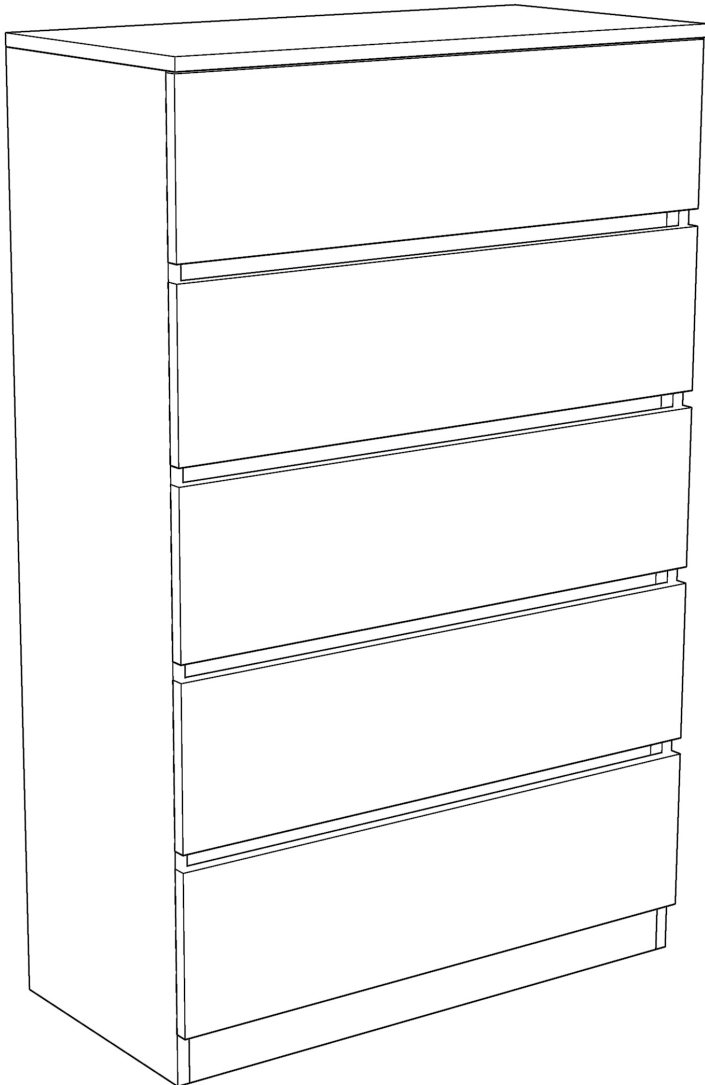
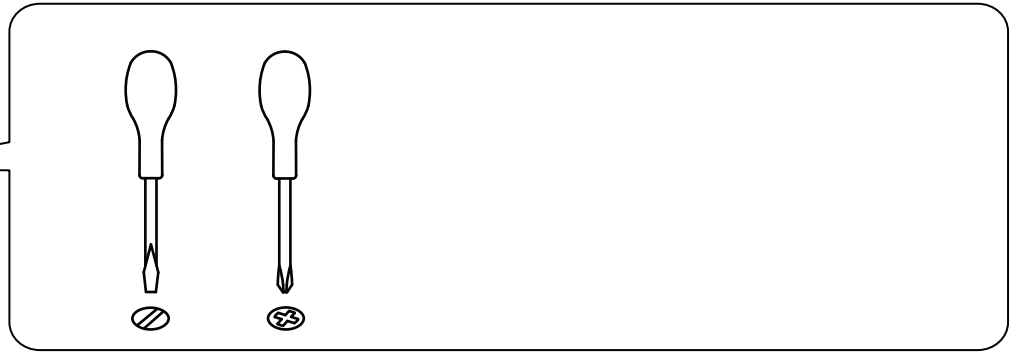
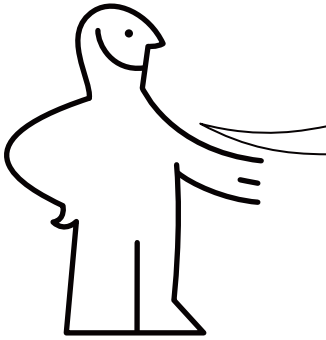


ASSEMBLY INSTRUCTIONS

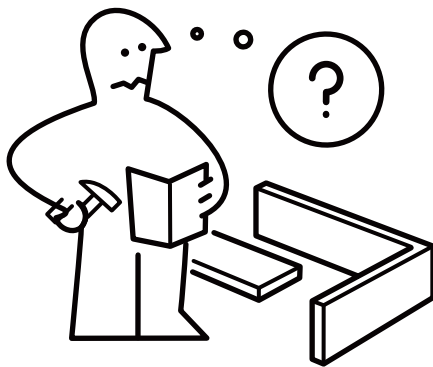
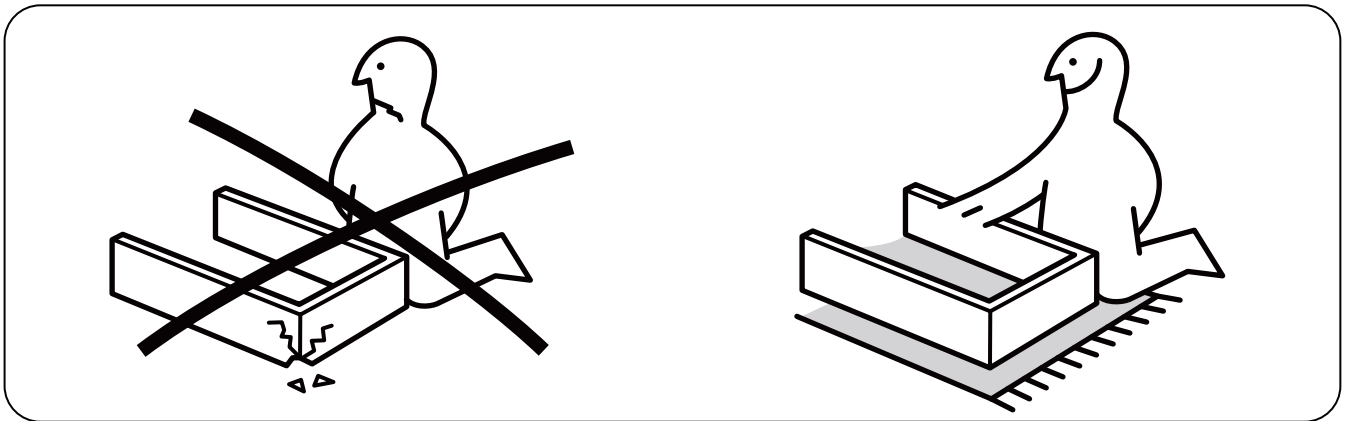
5 DRAWER CHEST



Tools Required For Assembly

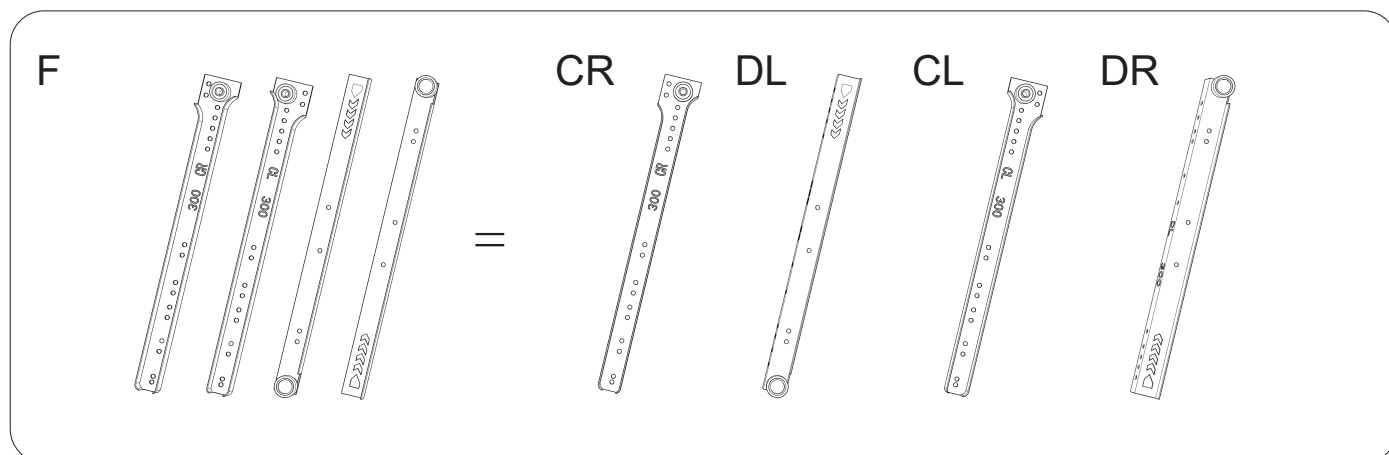
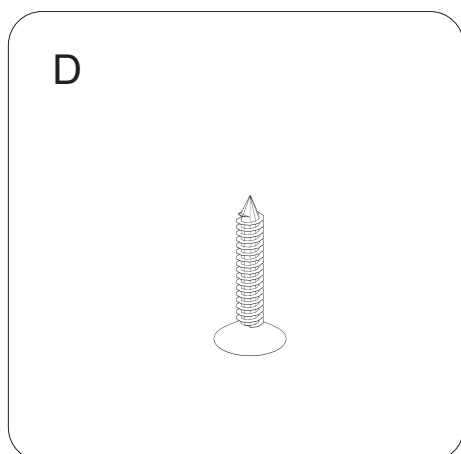
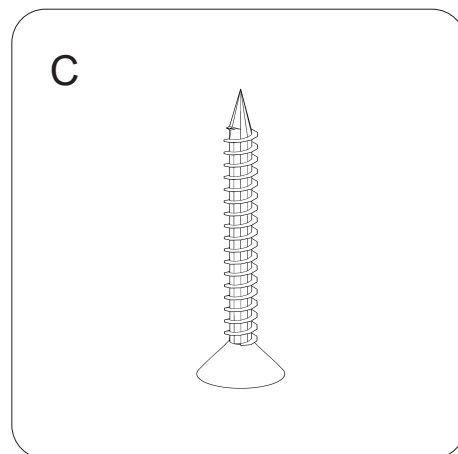
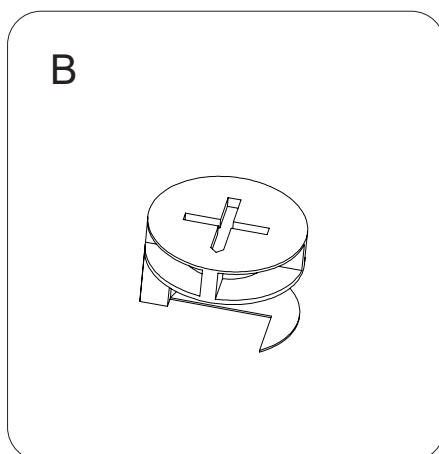
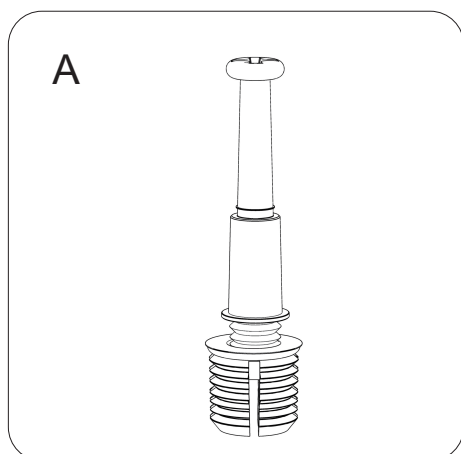


Assemble Item On a Clean Flat Surface



- Please check you have all hardware before assembling.
- Please ensure you have the name of the item and hardware part required and quantity.
- If you have any problem during using of this product, please feel free to contact us. Our professional customer service team is always here to help you!
-

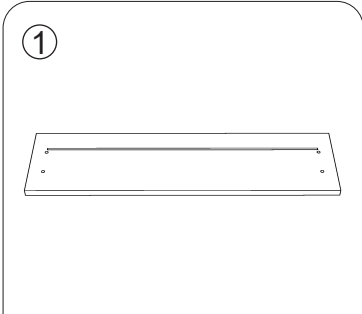
PARTS:



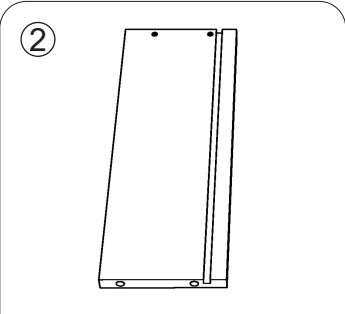
USEFUL HINTS BEFORE YOU START:

1. Read each step carefully before starting.
2. It is important that each step is performed in correct order to avoid difficulties.
3. Identify, sort and count the parts before assembly.
4. Assemble your furniture on packaging cardboard to prevent scratch or damage.
5. Clean the product with mild cleanser using soft damp cloth. Do not use harsh or abrasive cleanser.
6. Using incompatible hardware might cause damage to product.

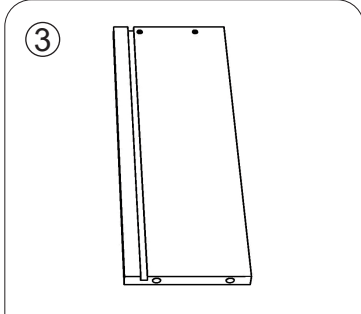
PARTS LIST:



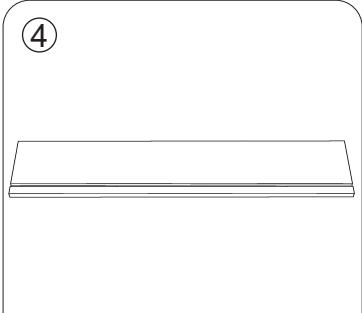
① DRAWER FRONT 5PCS



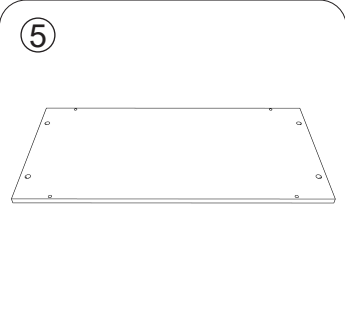
② DRAWER SIDE 5PCS



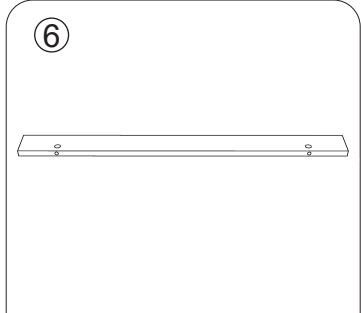
③ DRAWER SIDE 5PCS



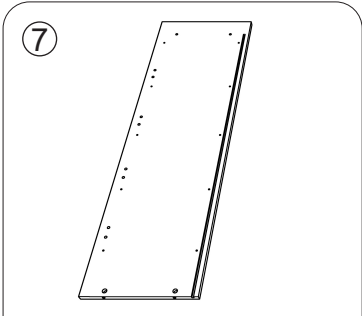
④ DRAWER BACK 5PCS



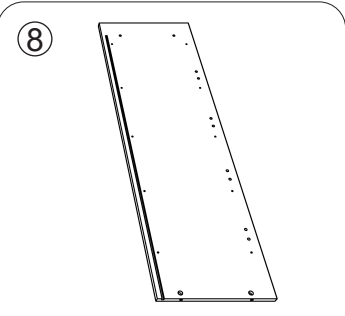
⑤ KICK PANEL 1PCS



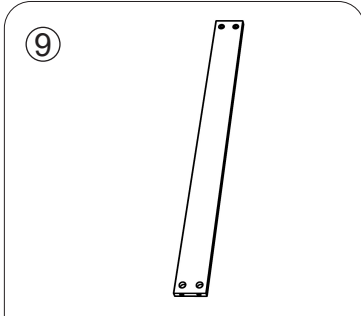
⑥ KICK PANEL 2PCS



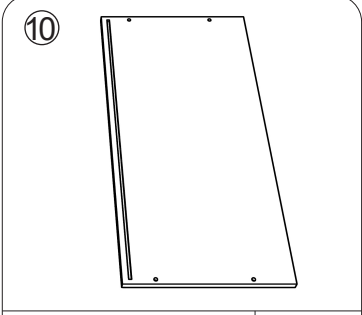
⑦ RIGHT PANEL 1PCS



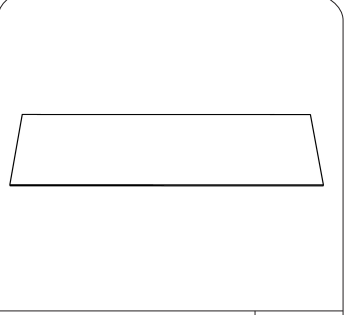
⑧ LEFT PANEL 1PCS



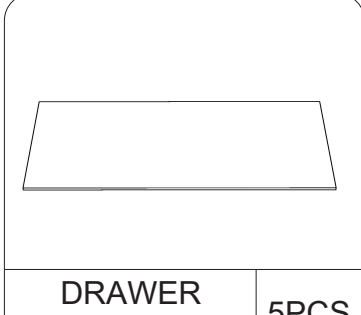
⑨ SUPPORT PANEL 4PCS



⑩ TOP PANEL 1PCS

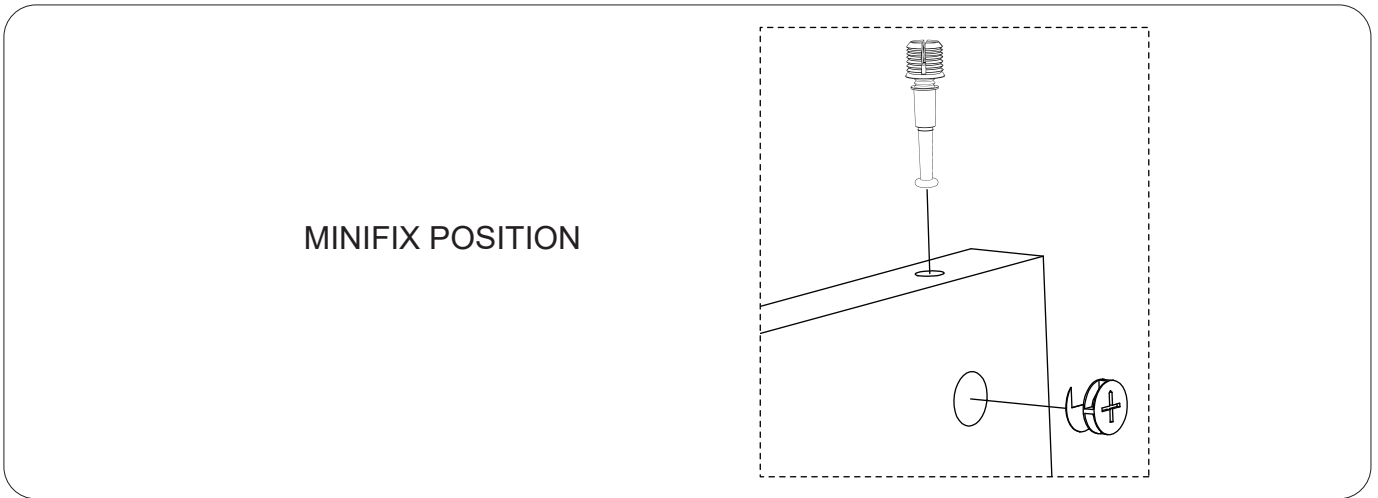
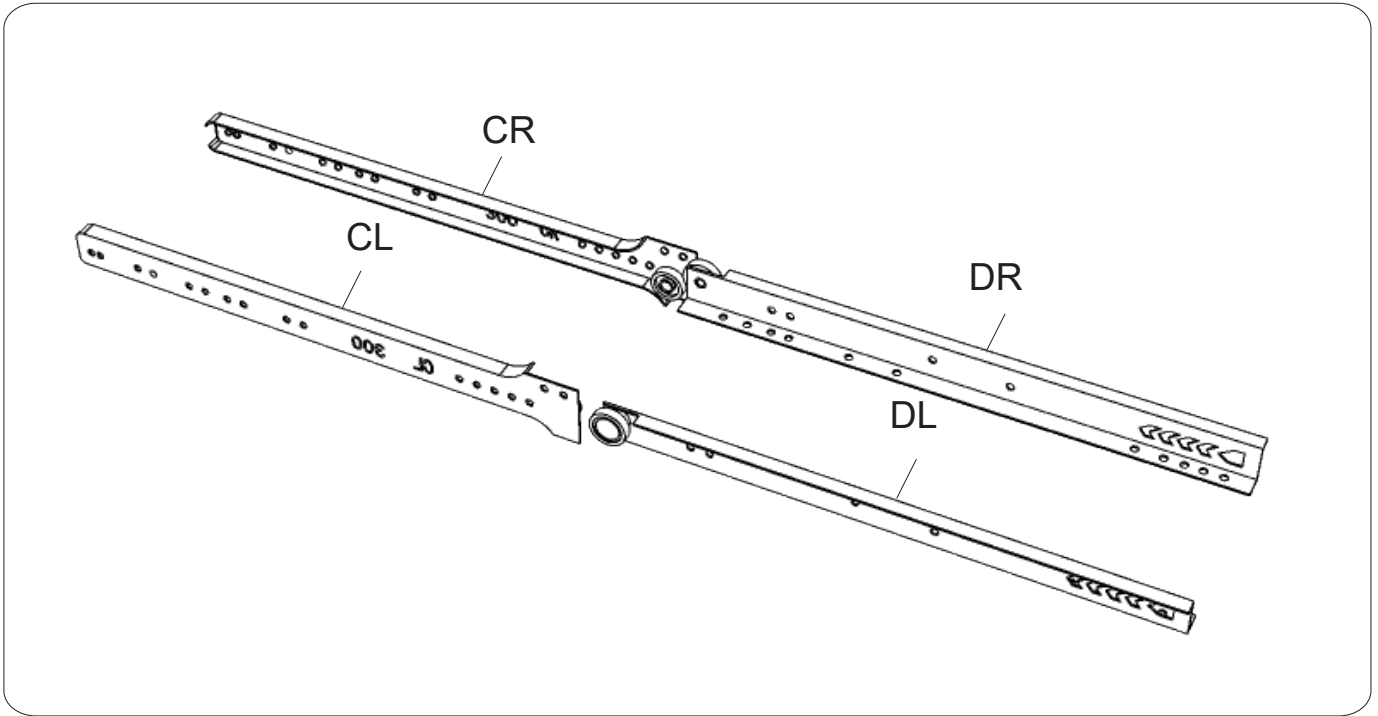


SUPPORT PANEL 2PCS

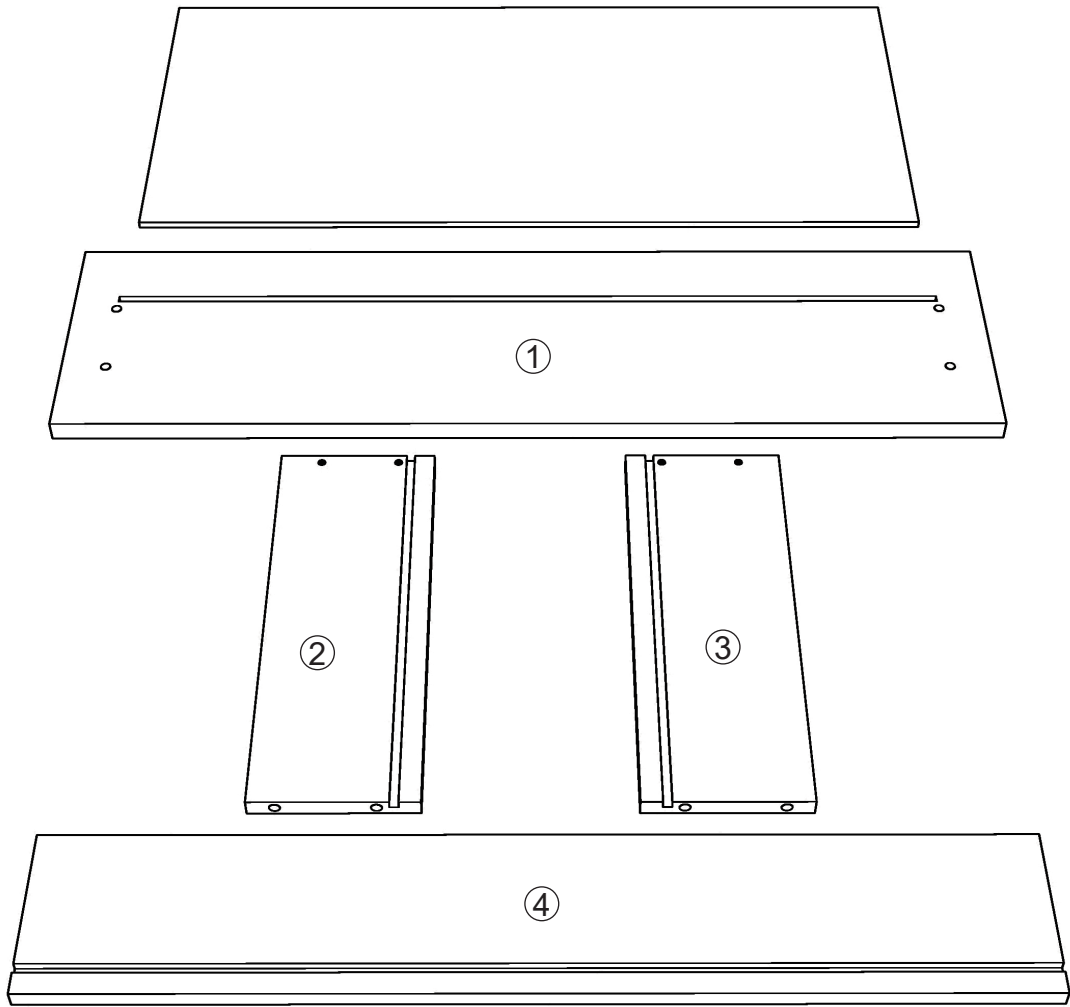


DRAWER BOTTOM 5PCS

REMARK:

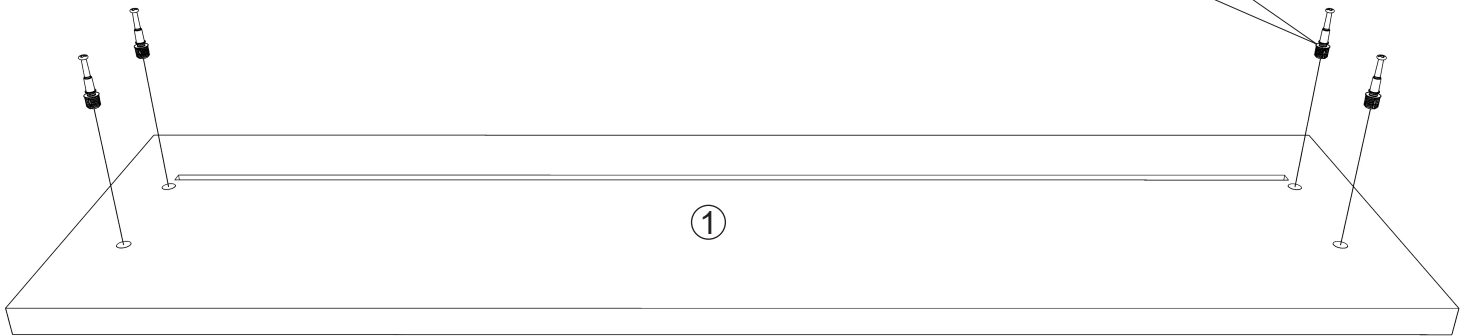
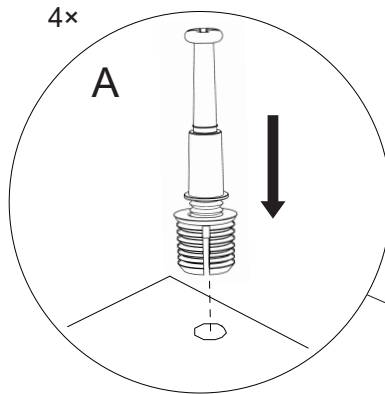


1.

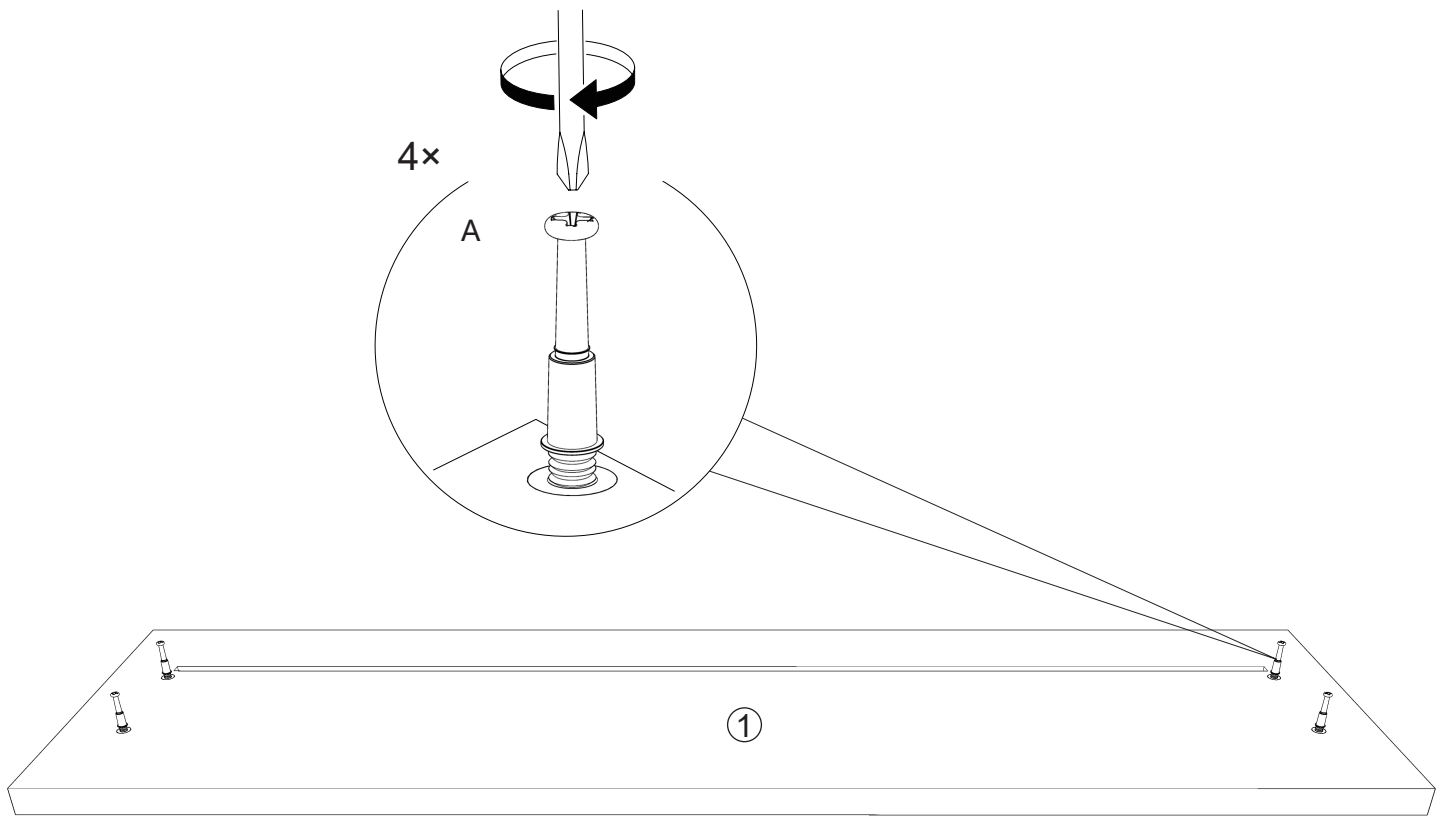


2.

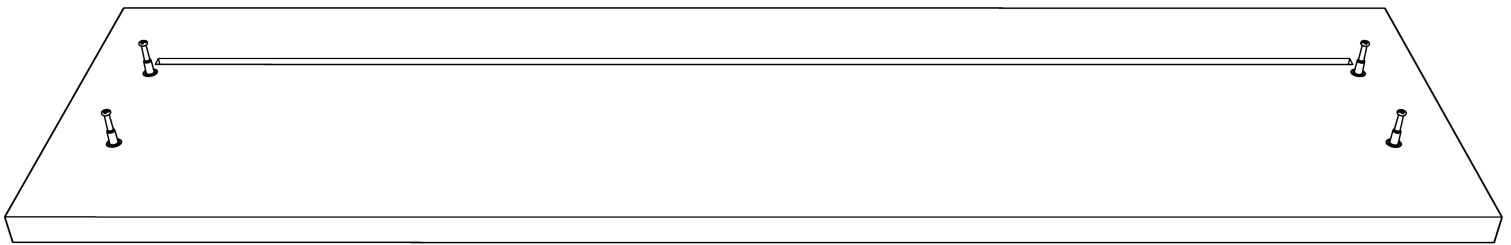
Notes: First insert part A into the circular hole. If it cannot be inserted, you need to separate the plastic nut and put it into the circular hole separately, and then screw the metal screw in.



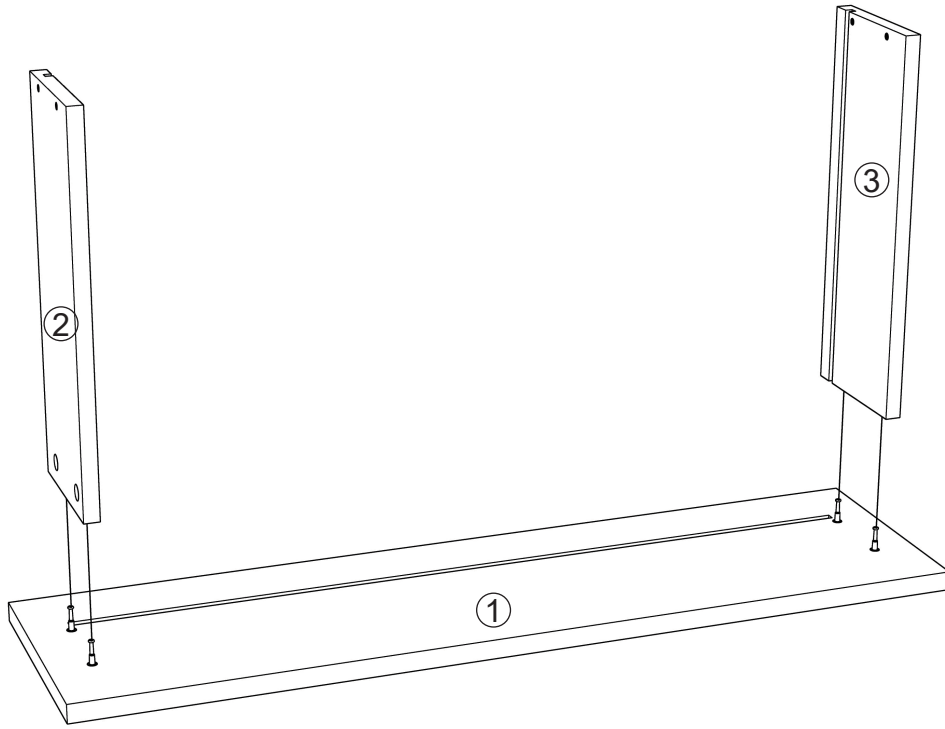
3.



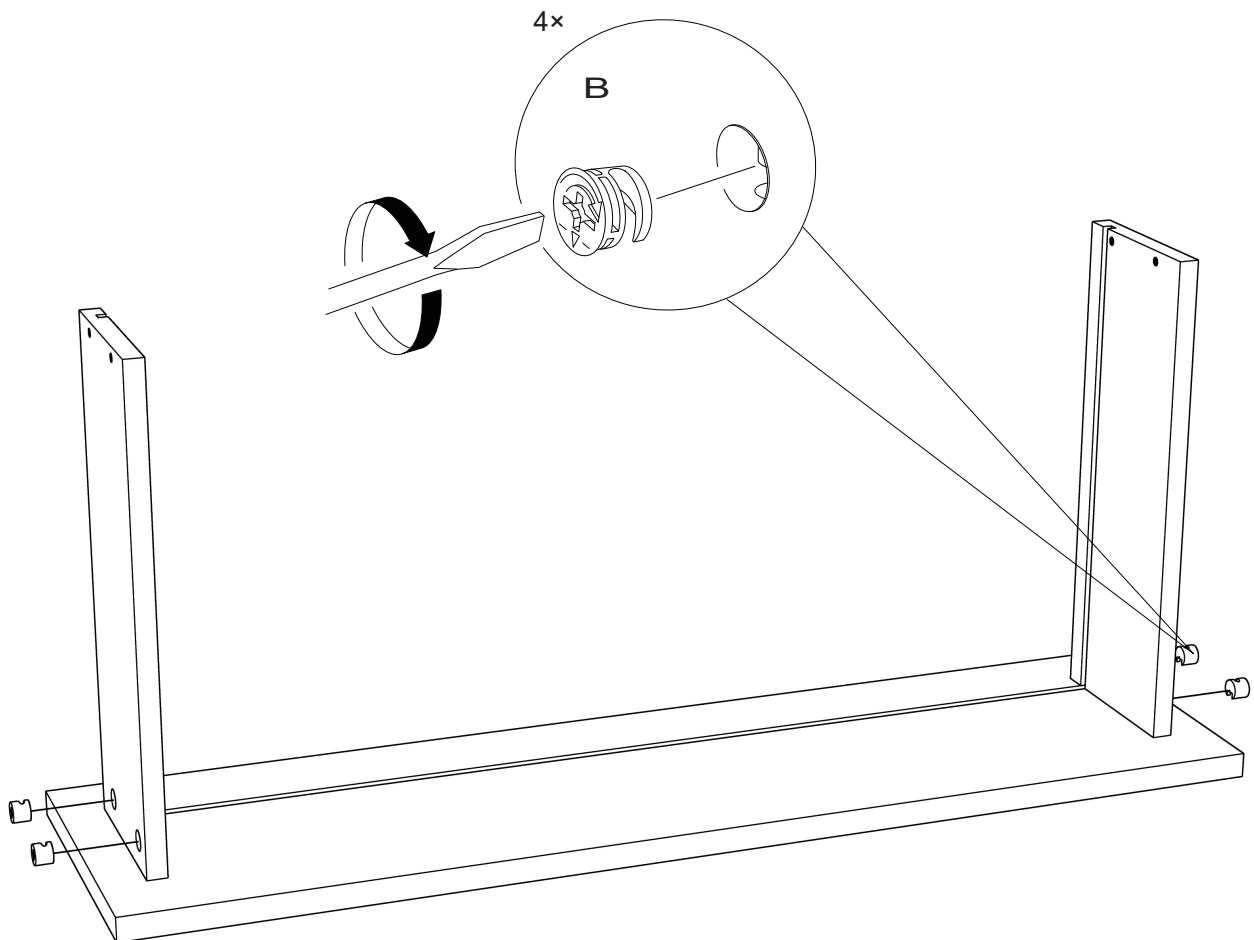
4.



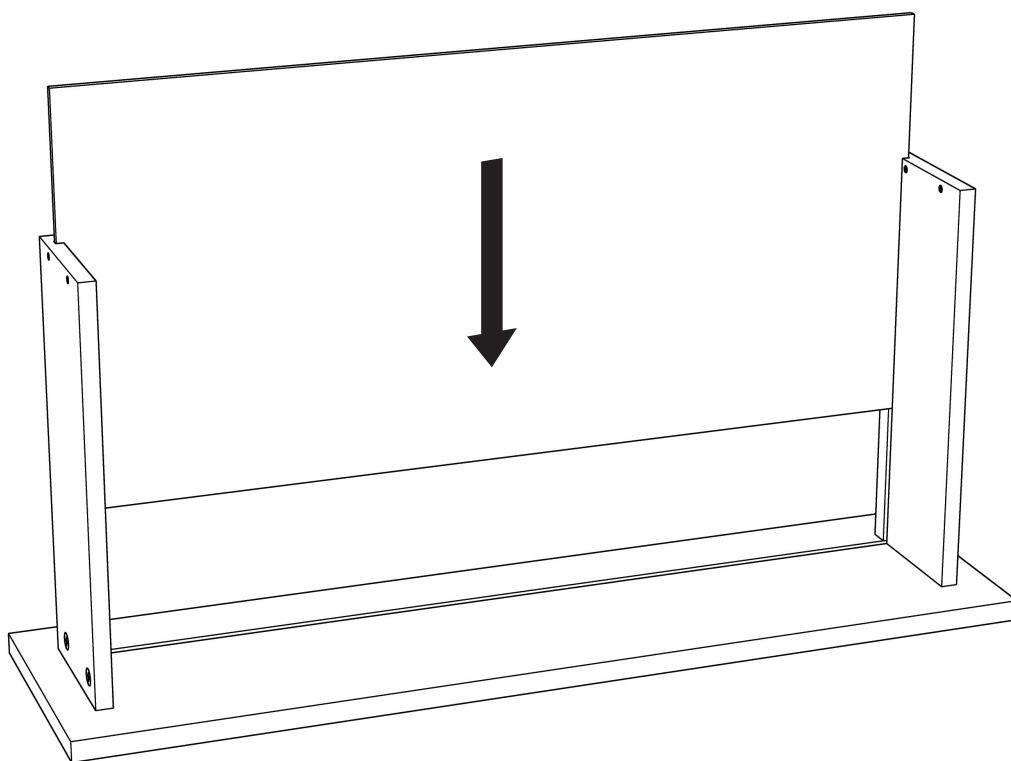
5.



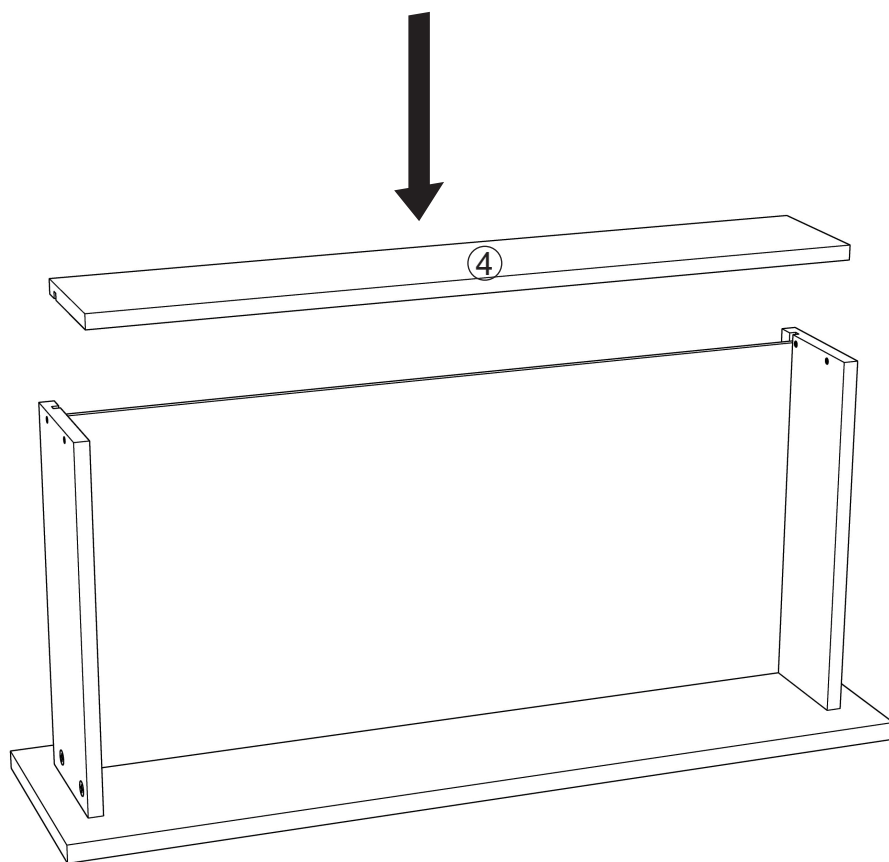
6.



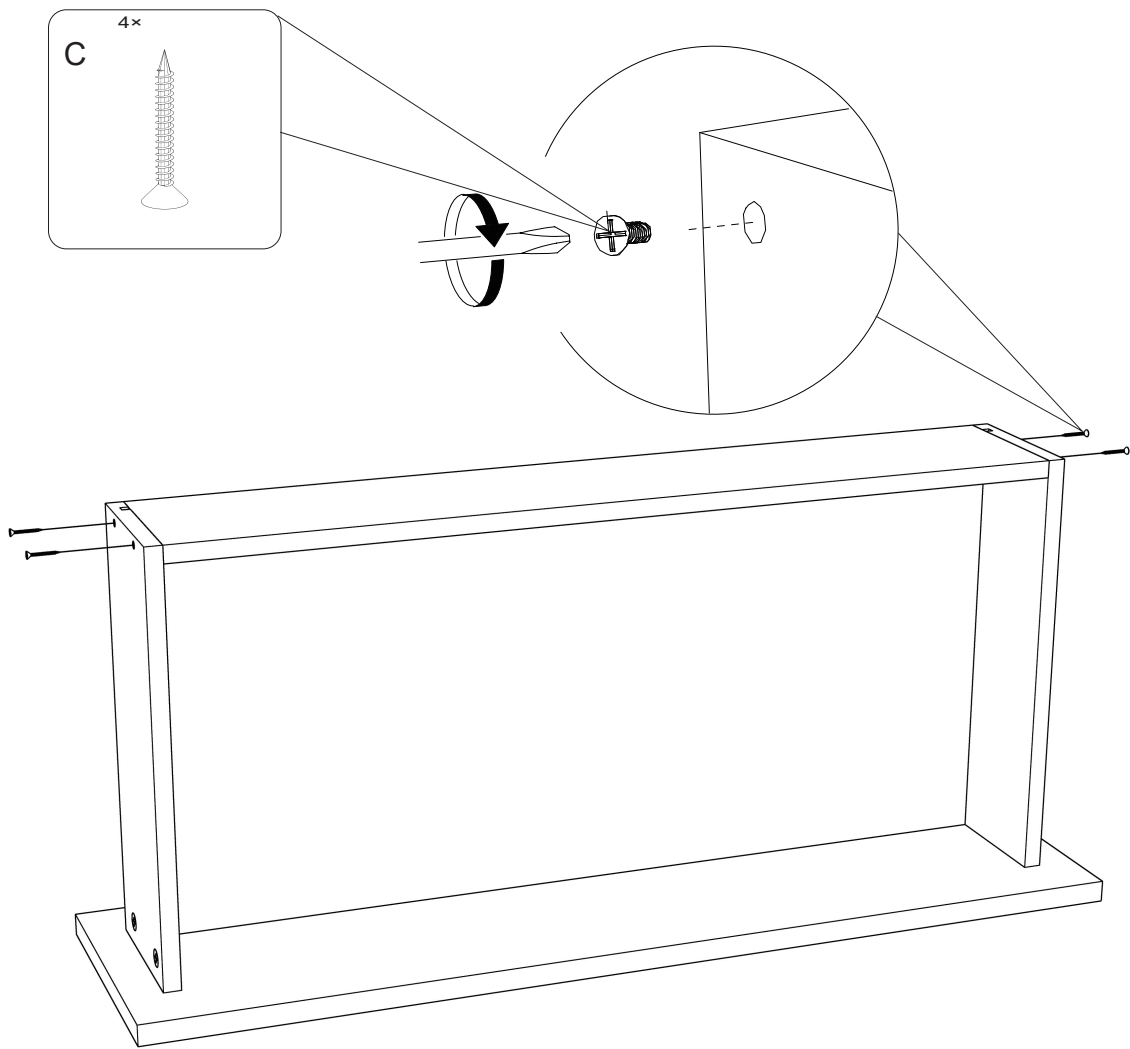
7.



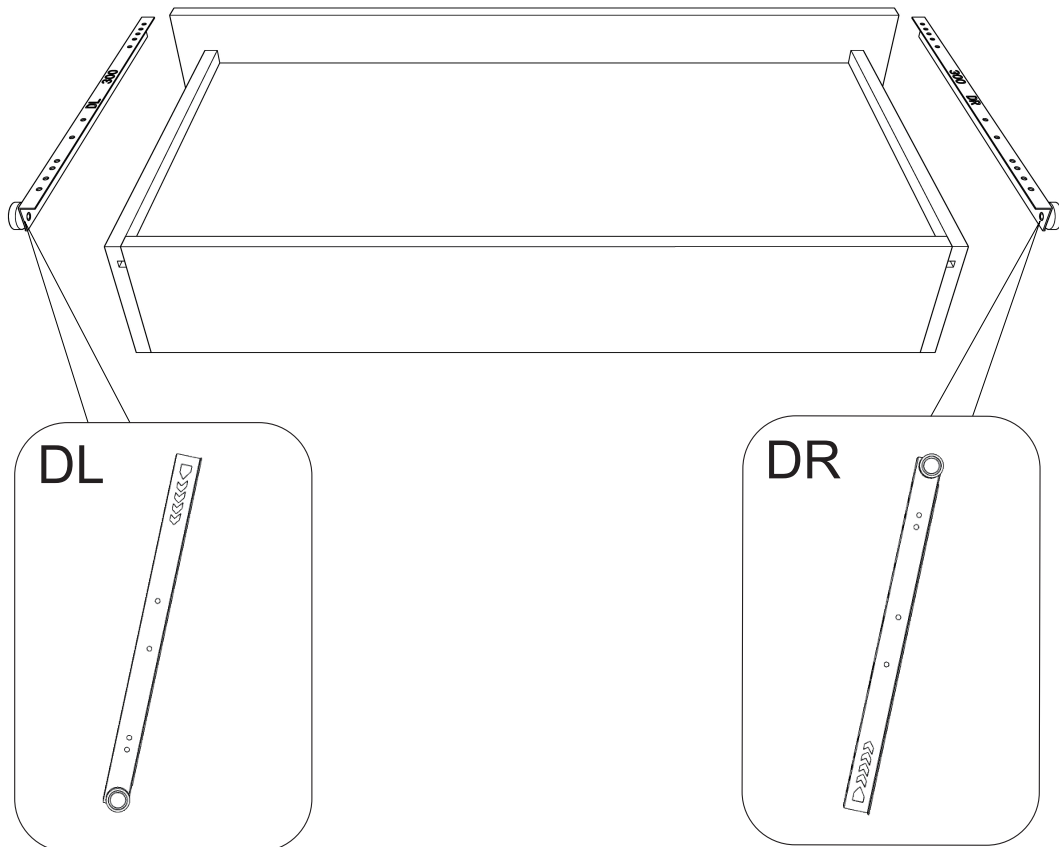
8.



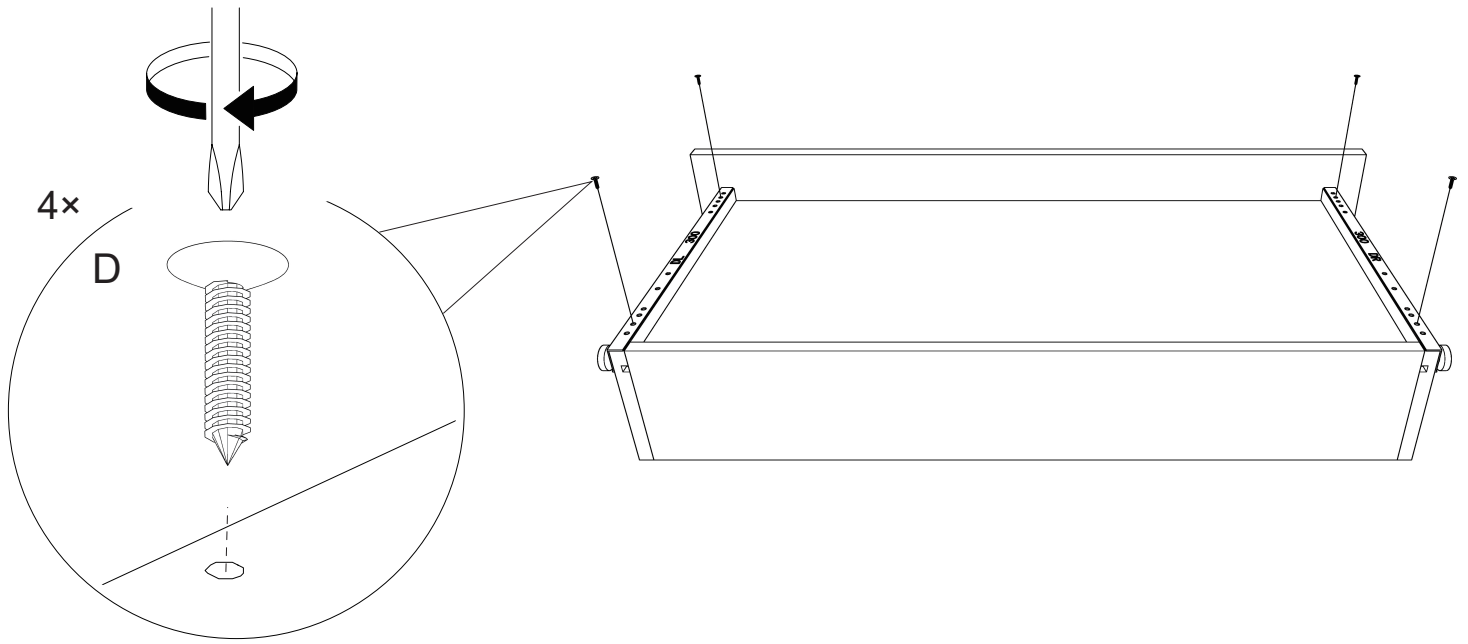
9.



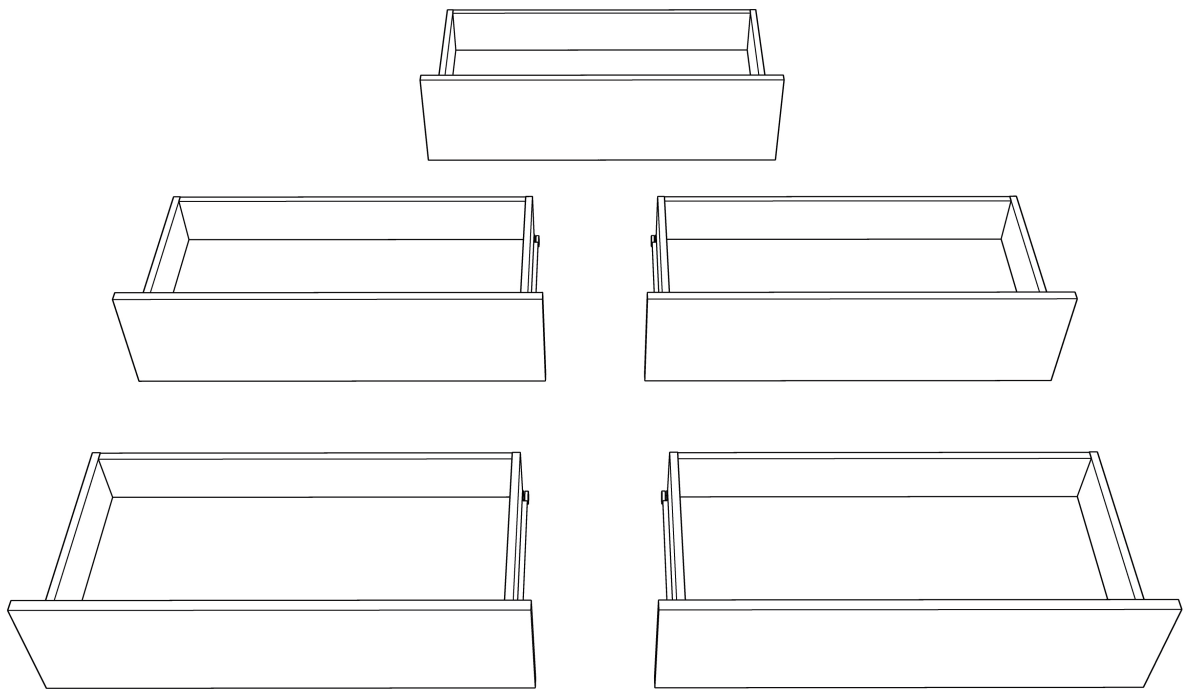
10.



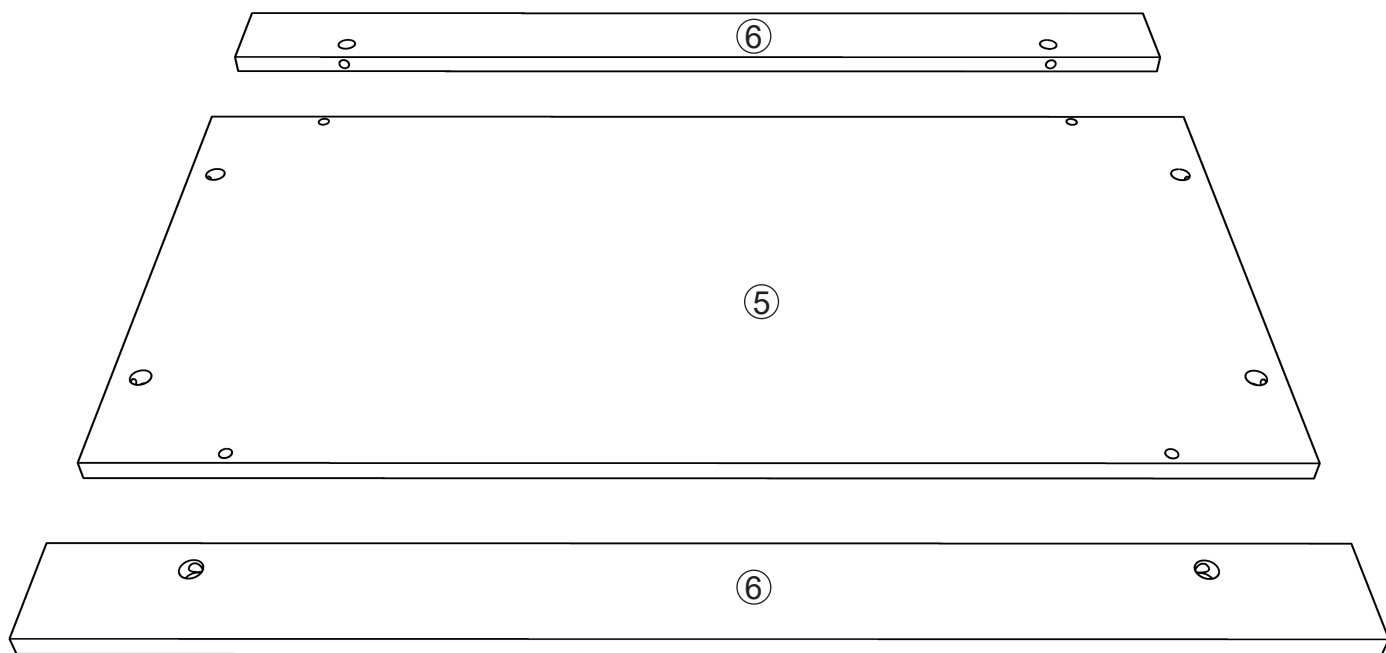
11.



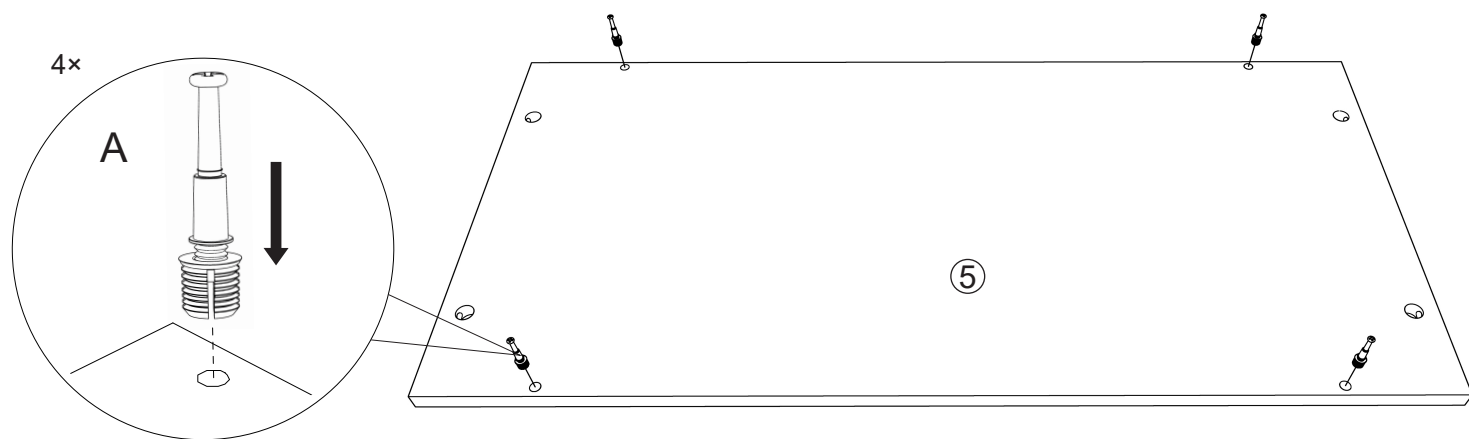
12.



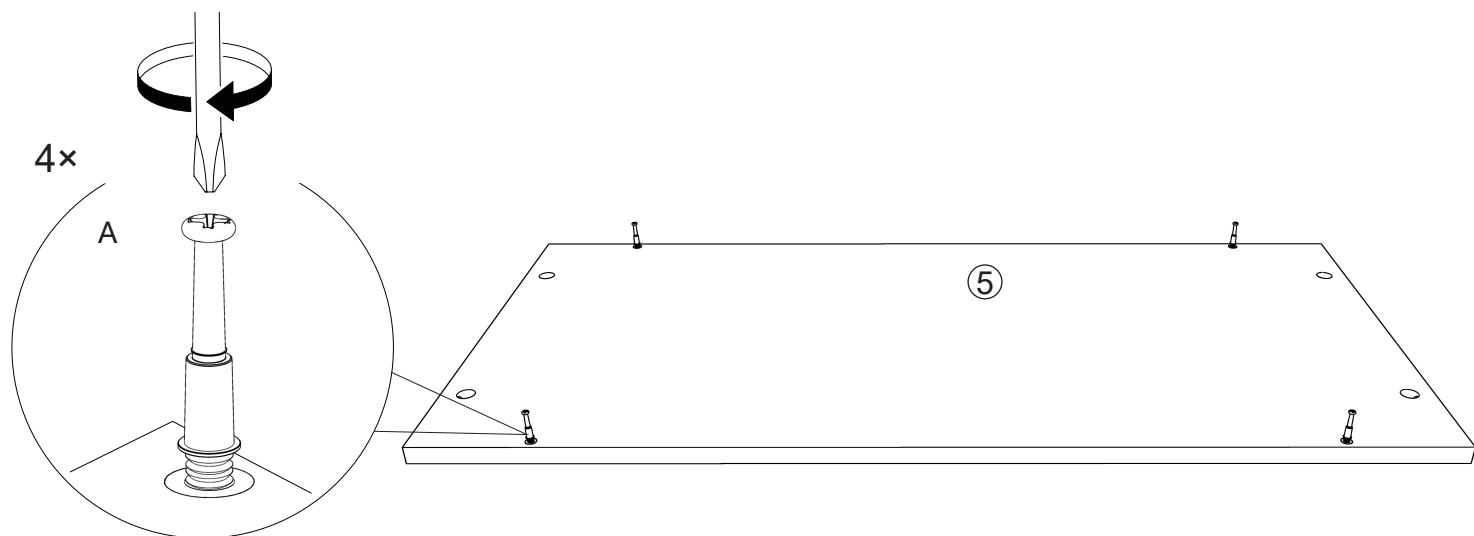
13.



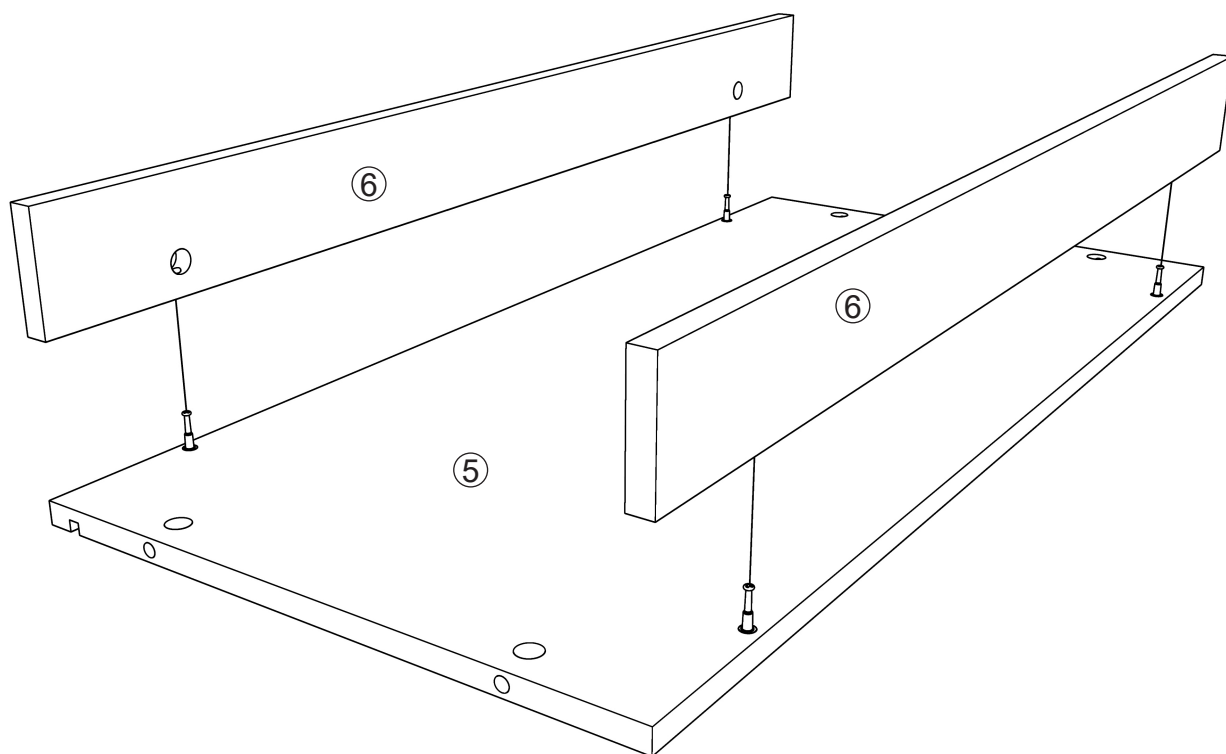
14.



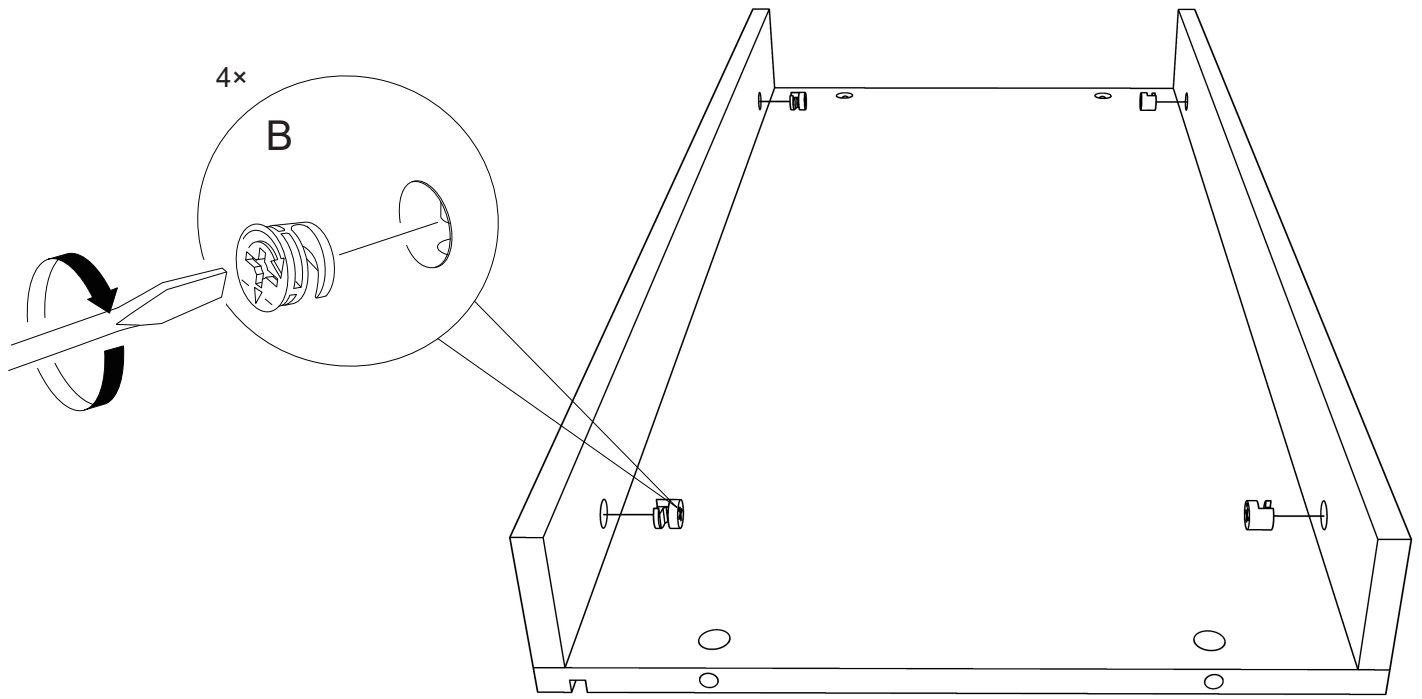
15.



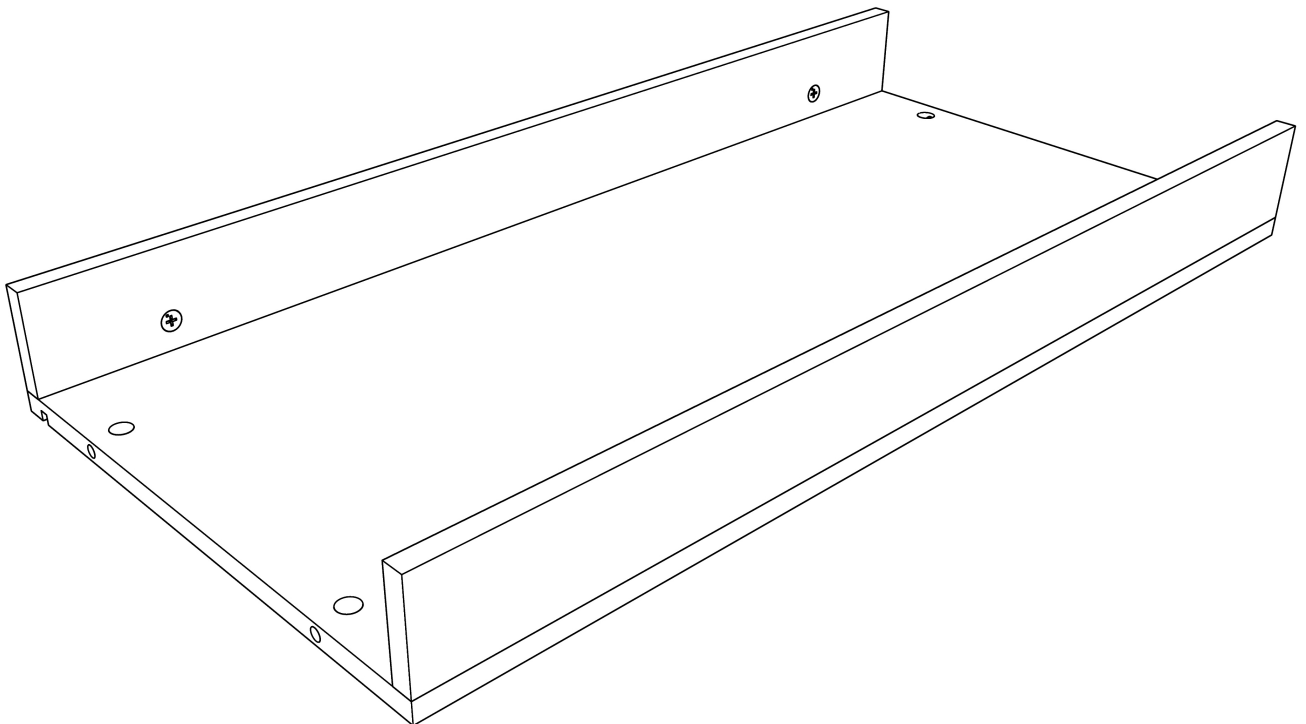
16.



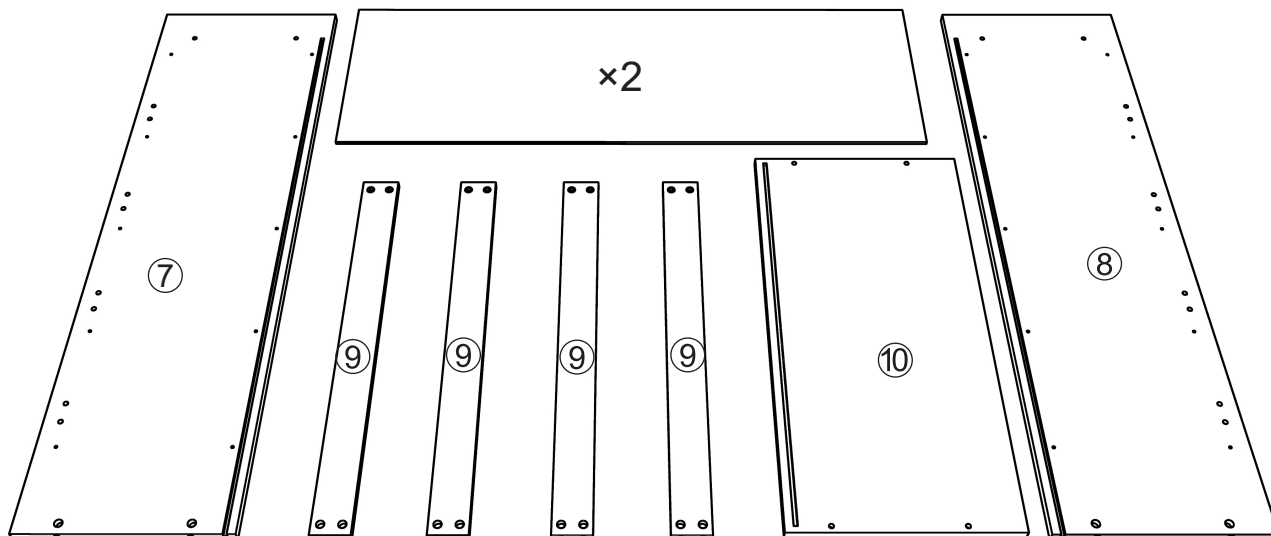
17.



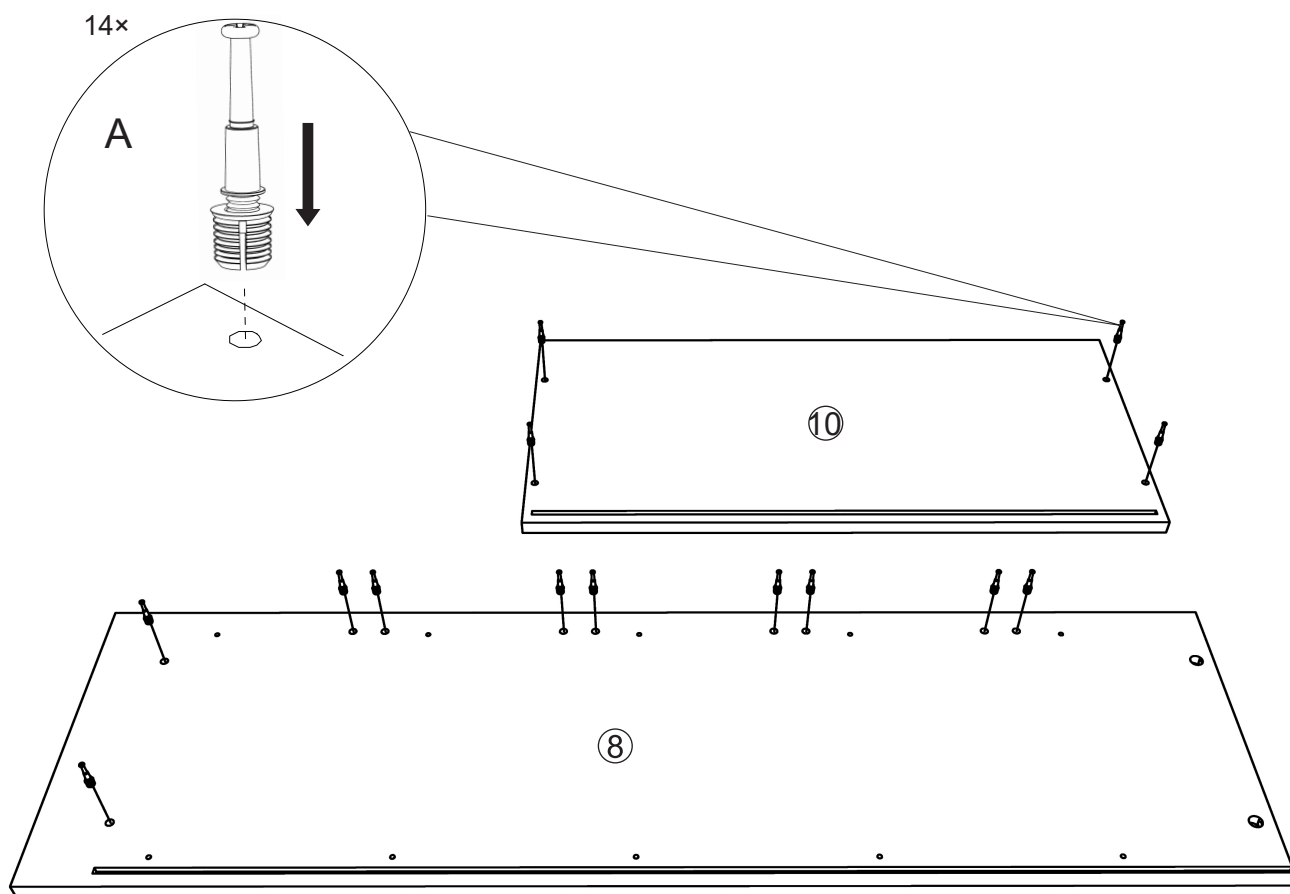
18.



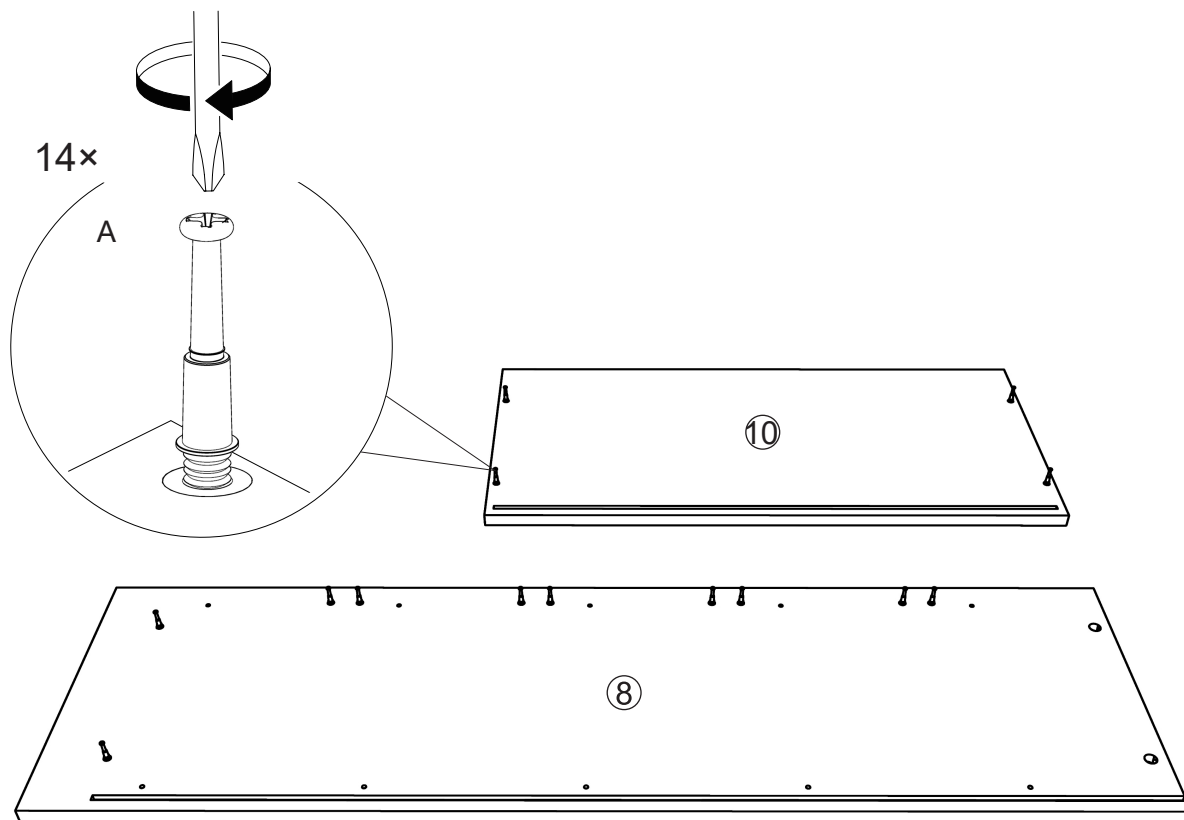
19.



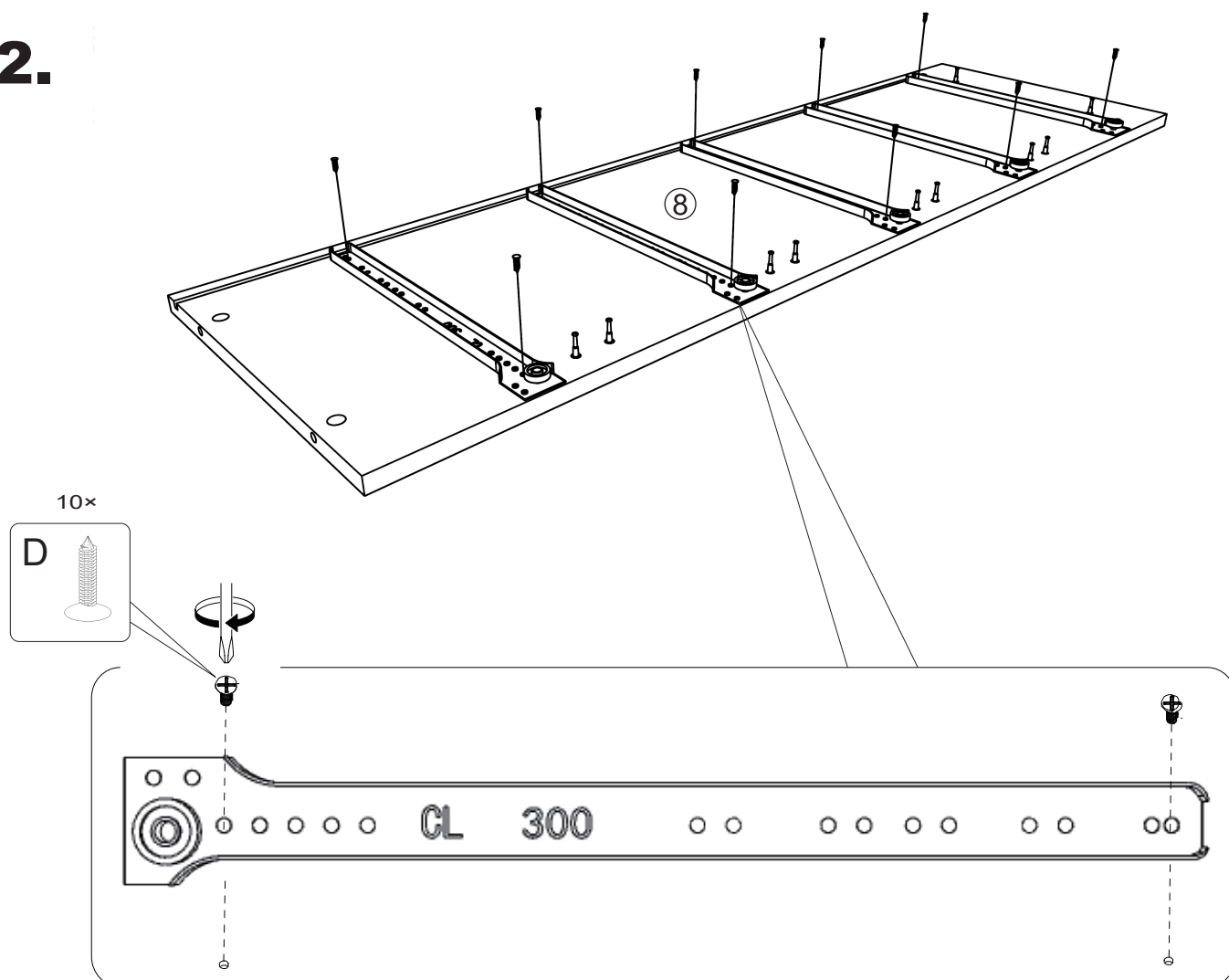
20.



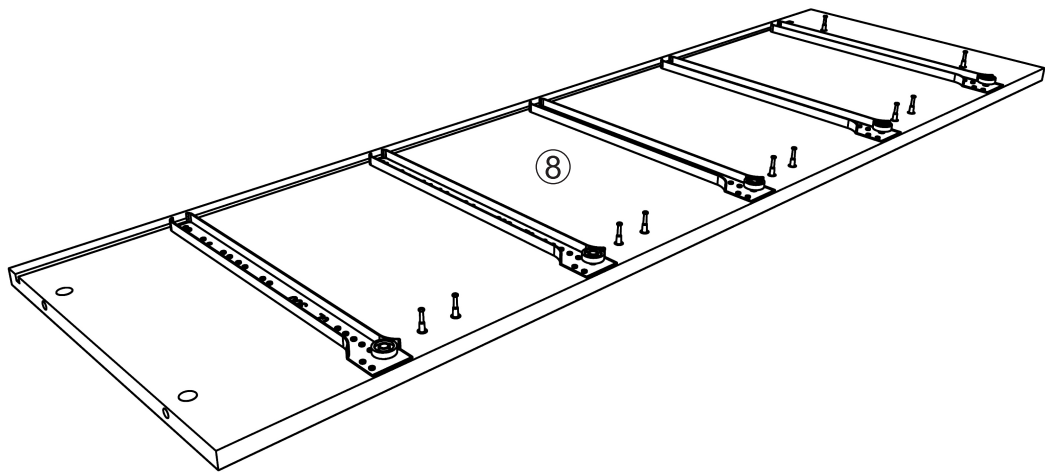
21.



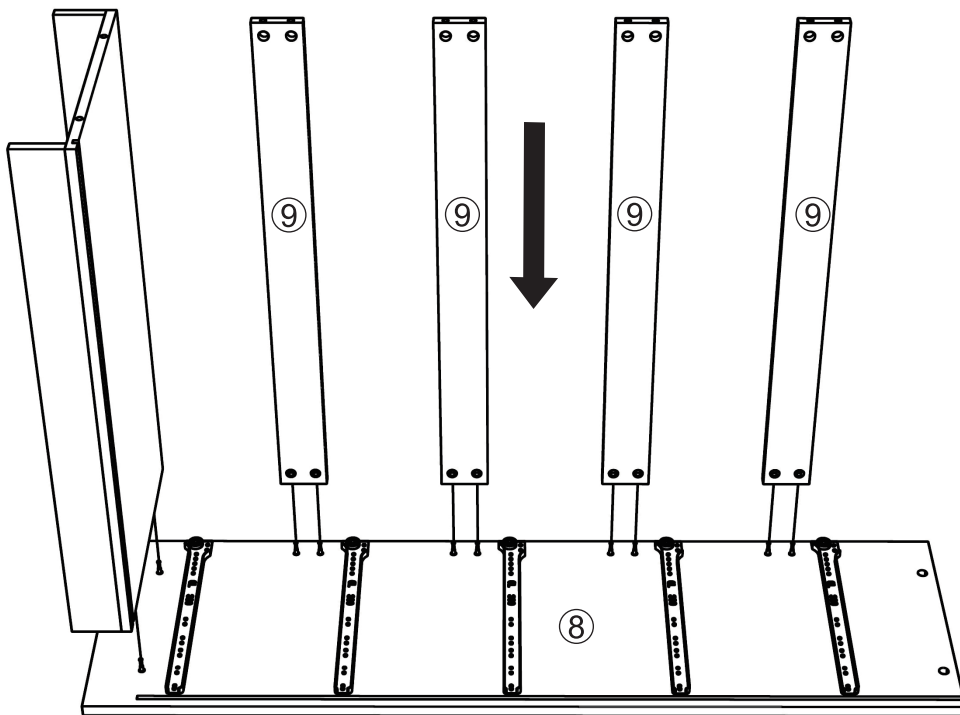
22.



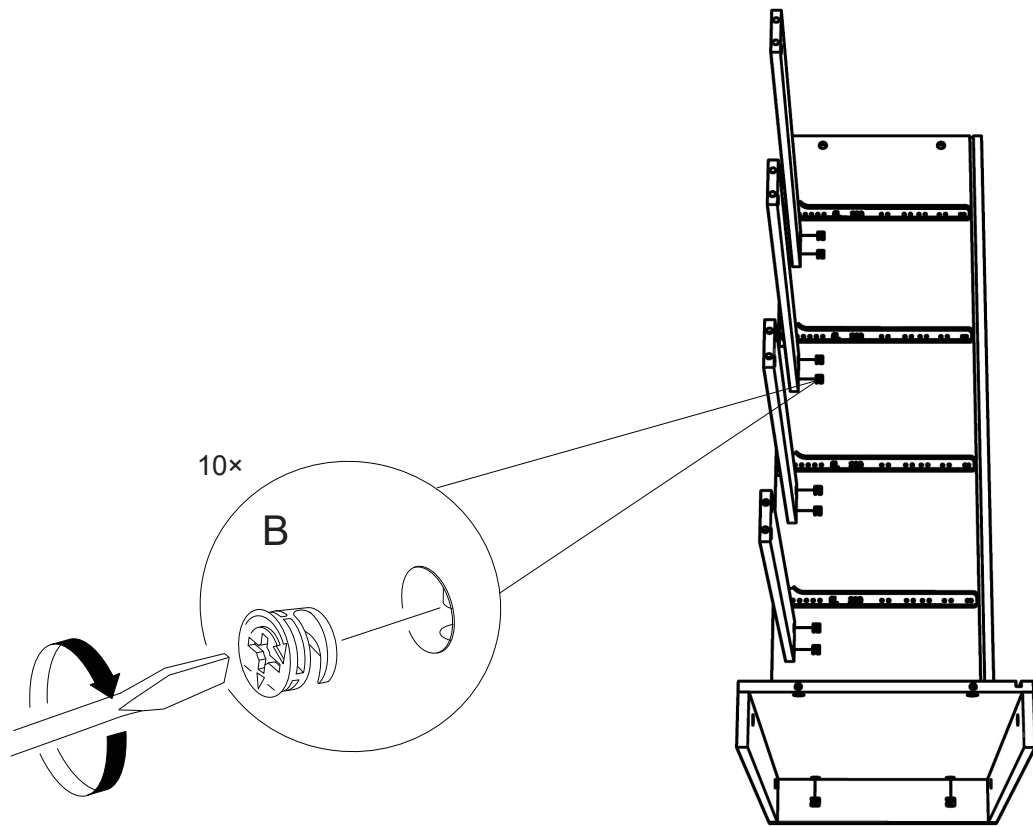
23.



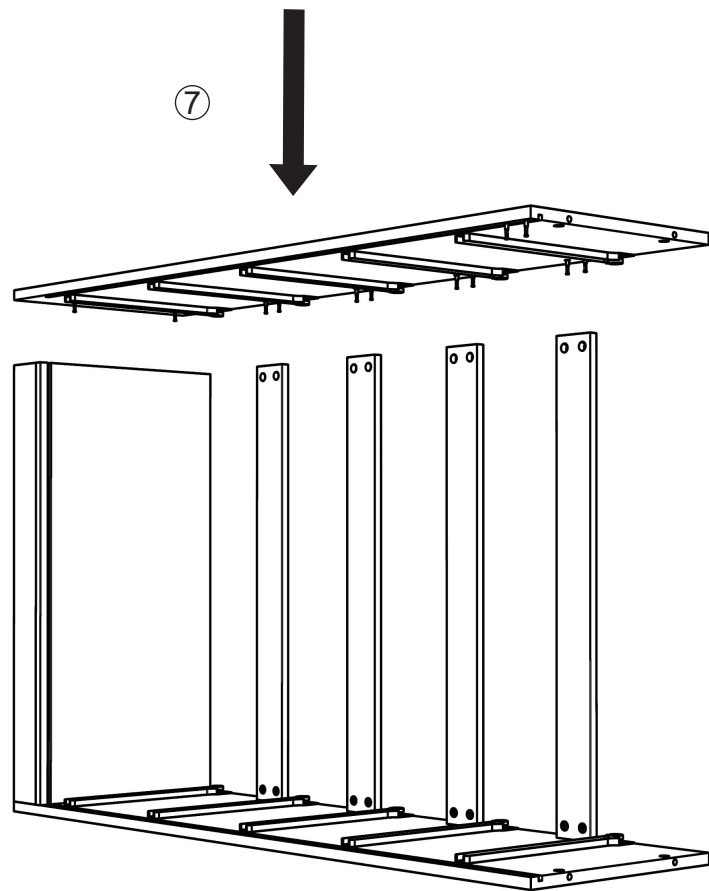
24.



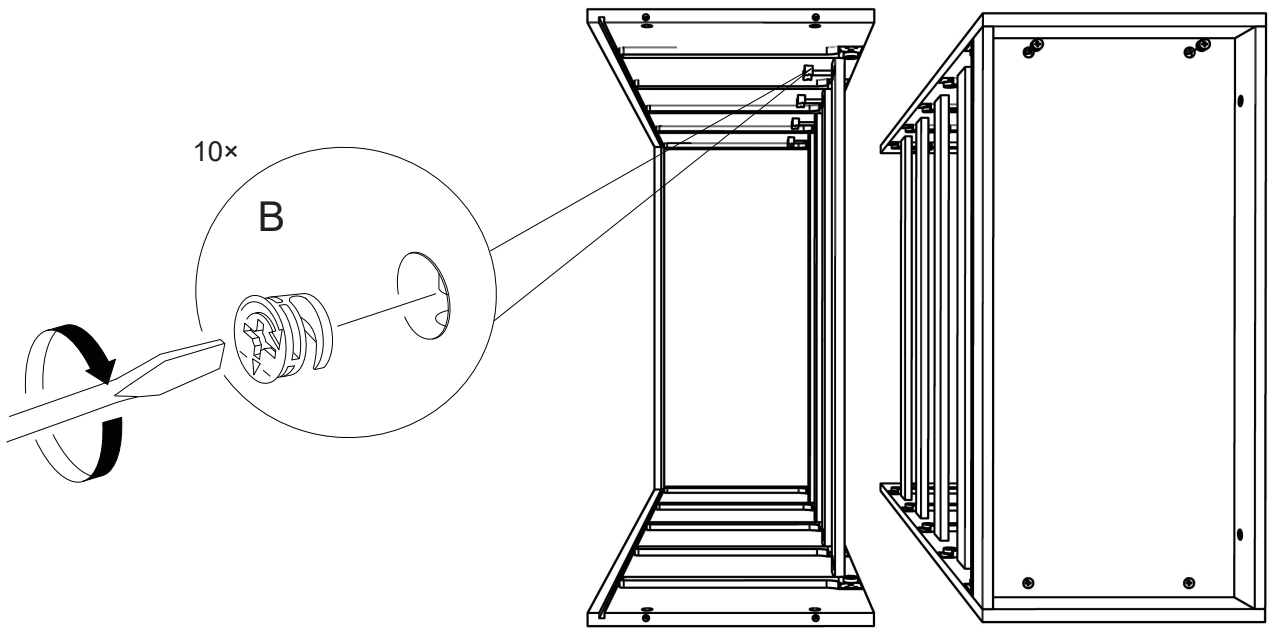
25.



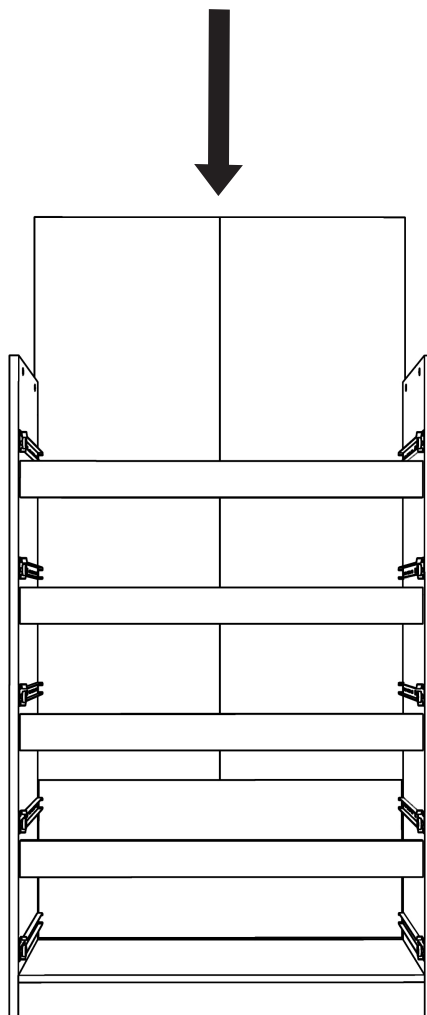
26.



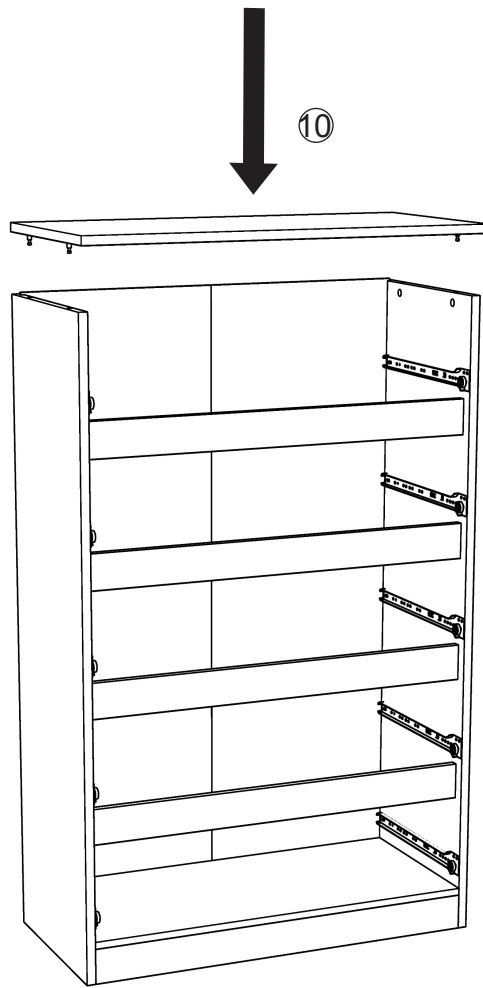
27.



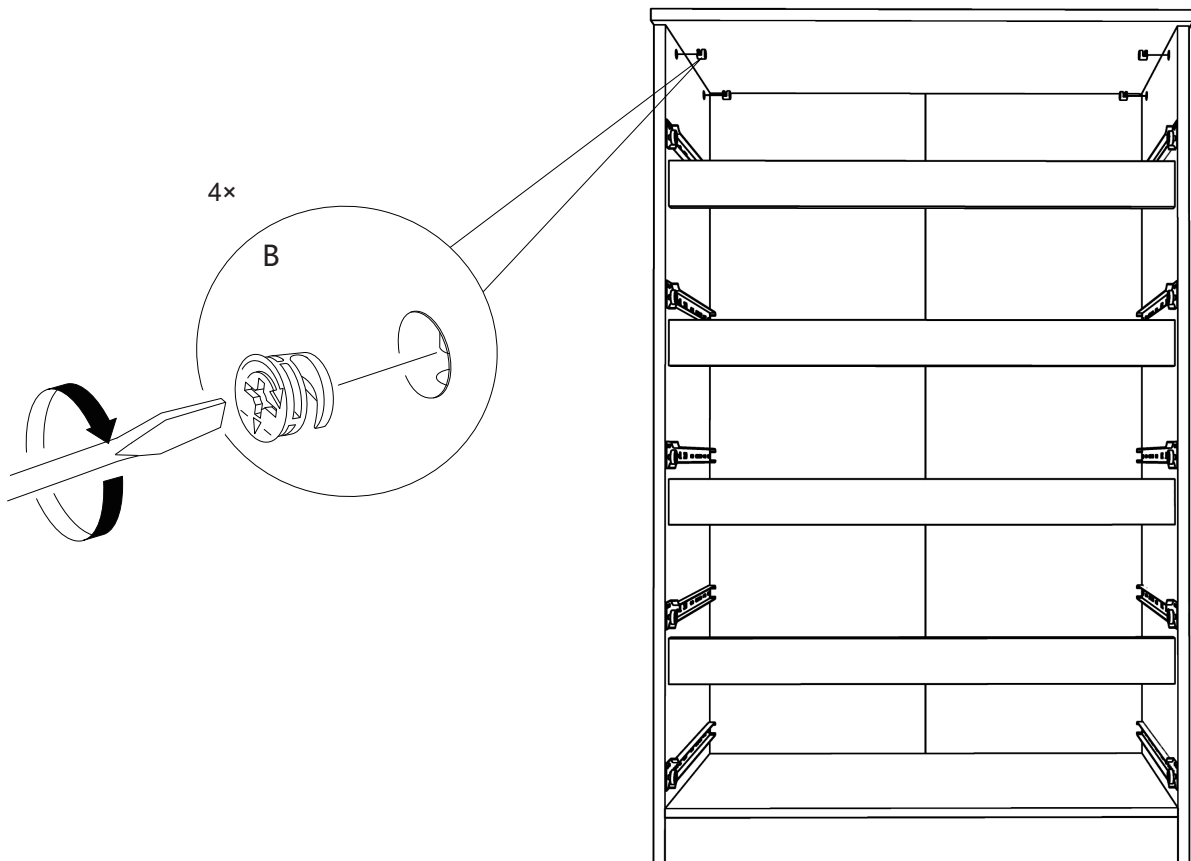
28.



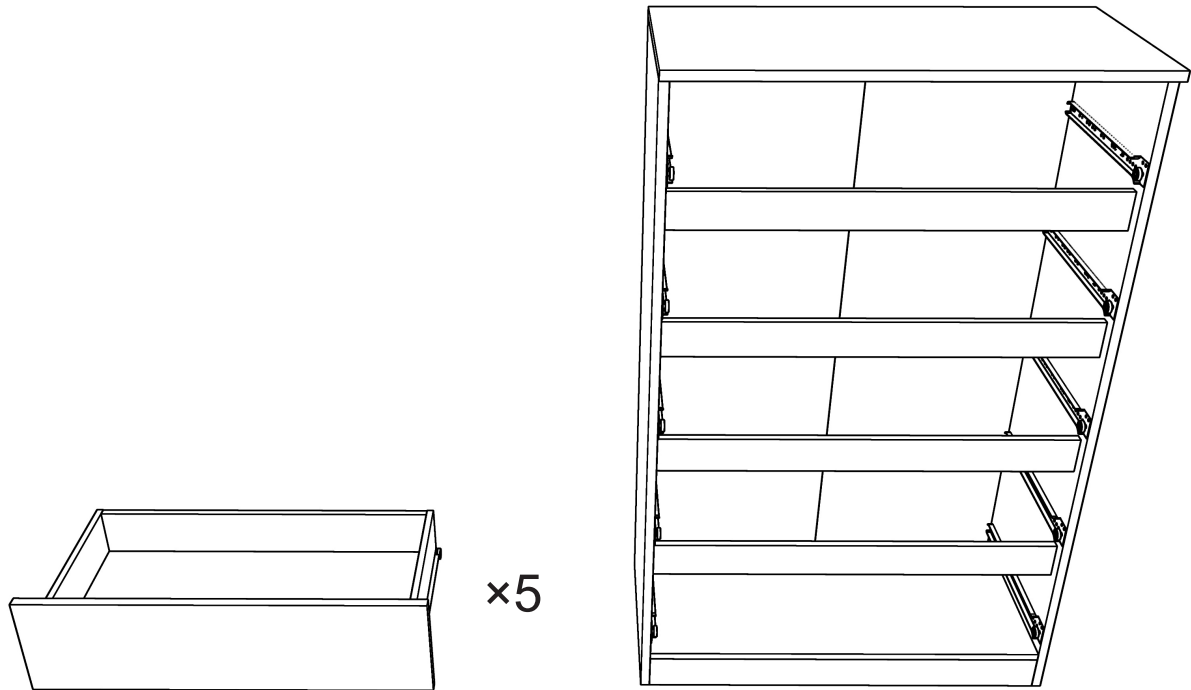
29.



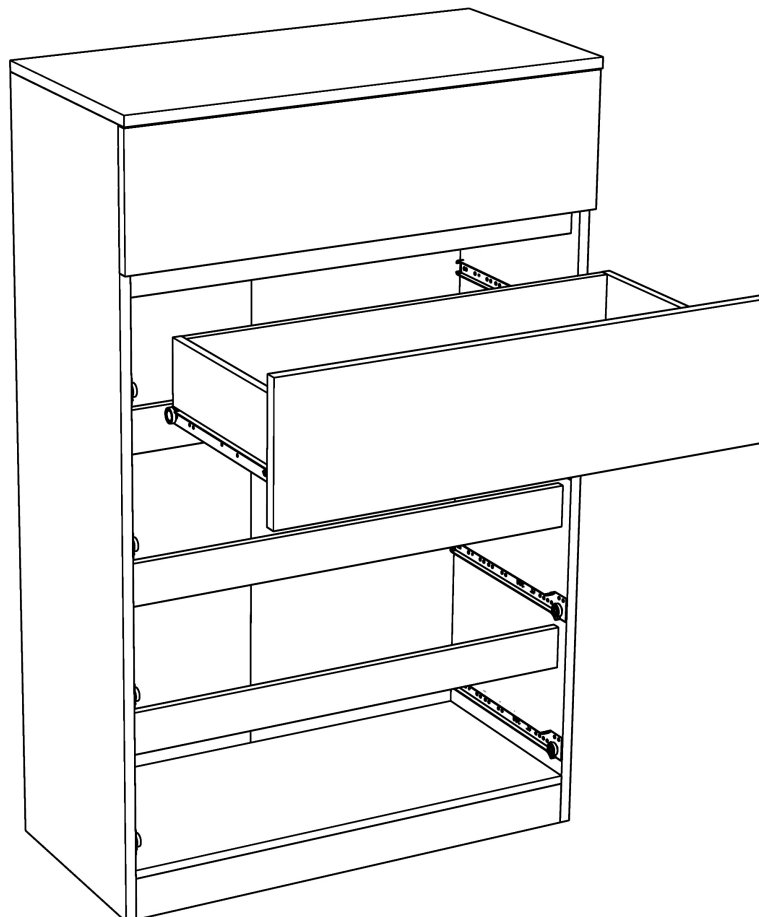
30.



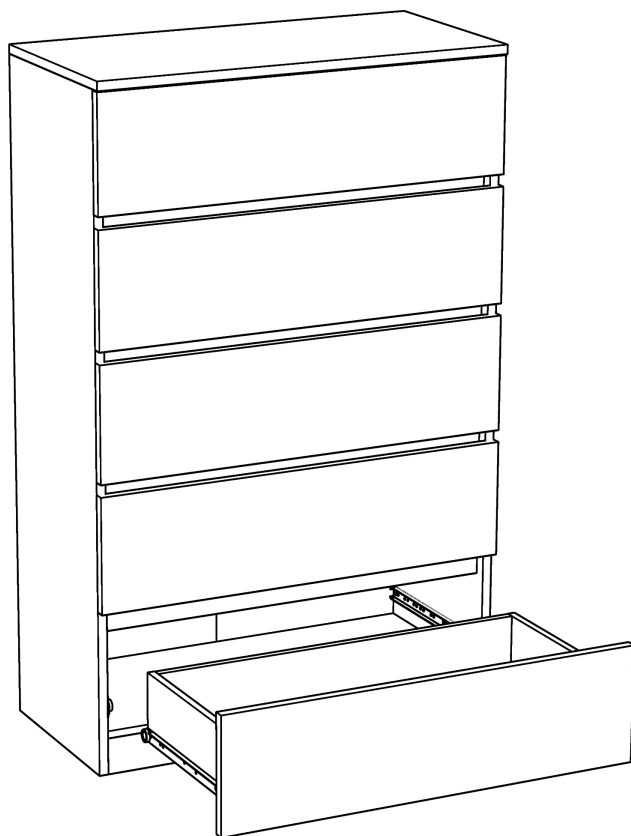
31.



32.



33.



34.

