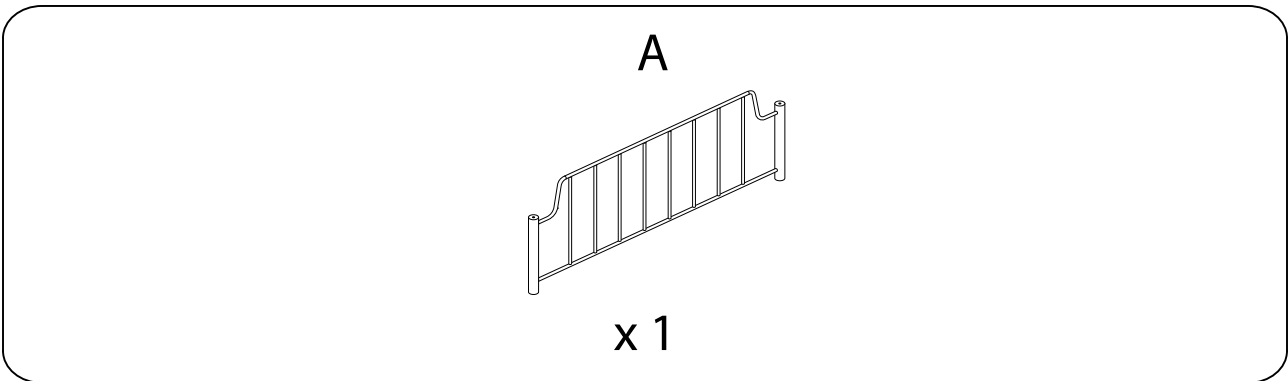
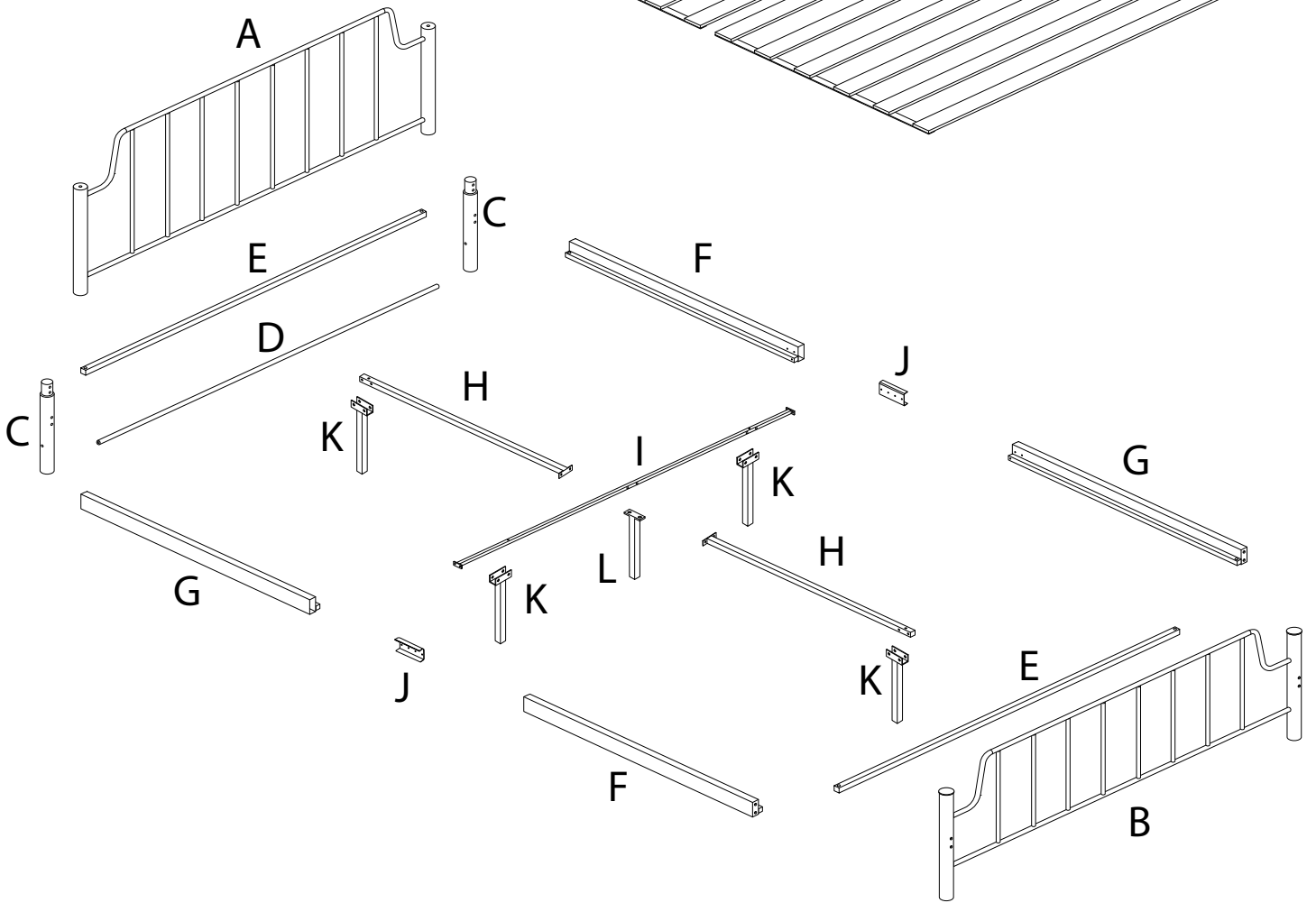
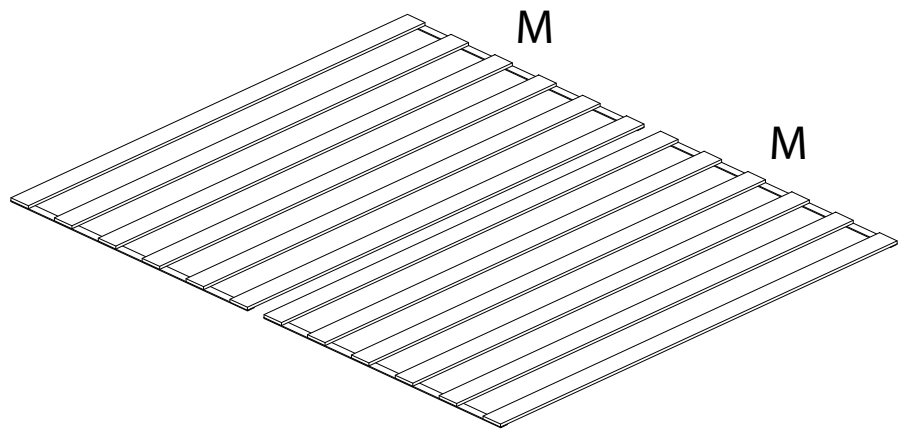
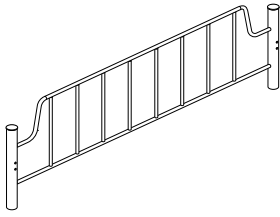

		<b>60'</b>
		<b>2</b>

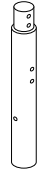


B



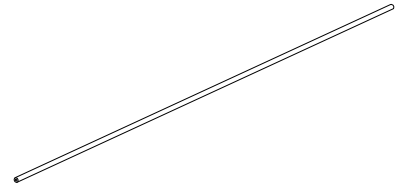
x 1

C



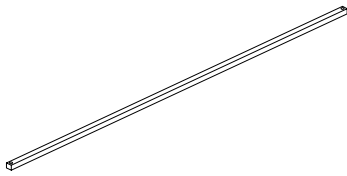
x 2

D



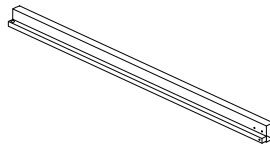
x 1

E



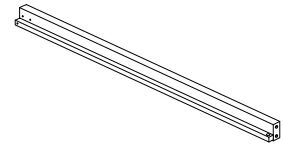
x 2

F



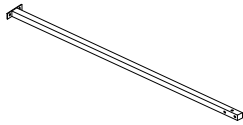
x 2

G



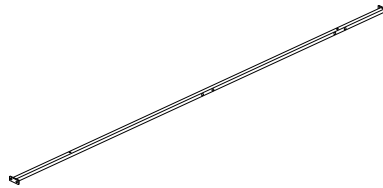
x 2

H



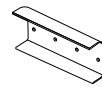
x 2

I



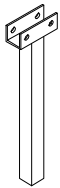
x 1

J



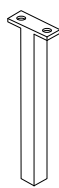
x 2

K



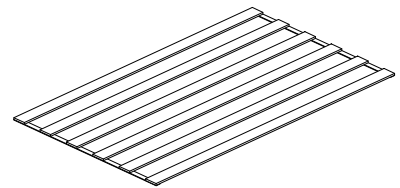
x 4

L



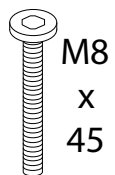
x 1

M



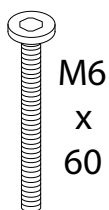
x 2

1



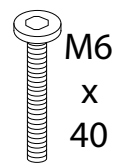
x 8

2



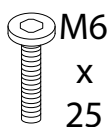
x 6

3



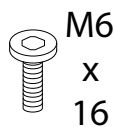
x 8

4



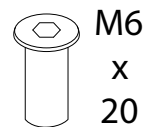
x 8

5



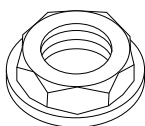
x 16

6



x 8

7



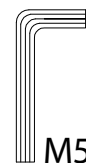
x 8

8



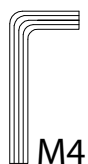
x 8

9



x 1

10



x 1

11



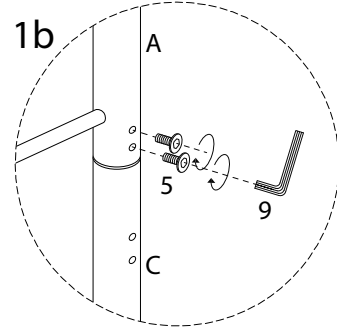
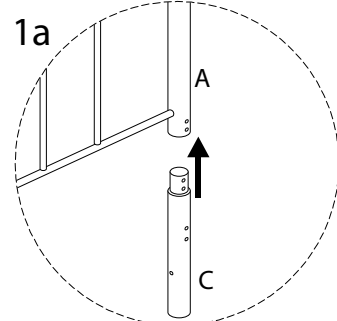
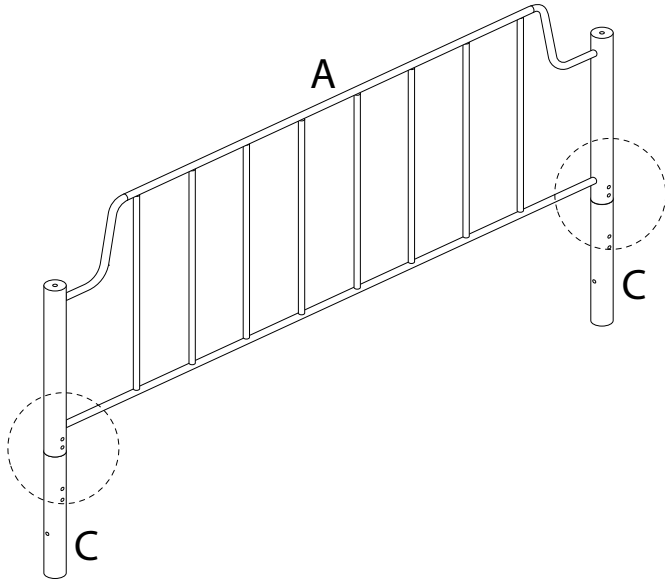
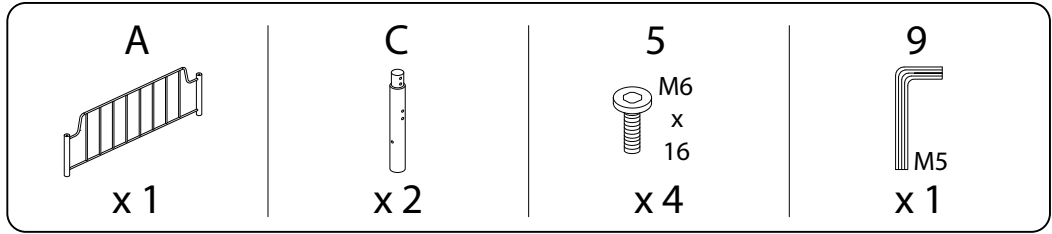
x 1

12

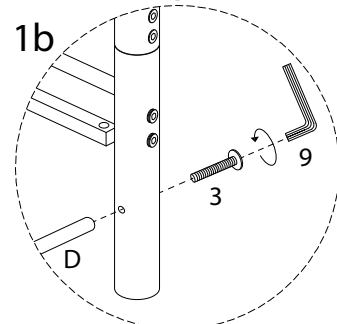
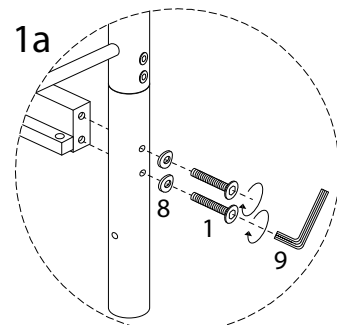
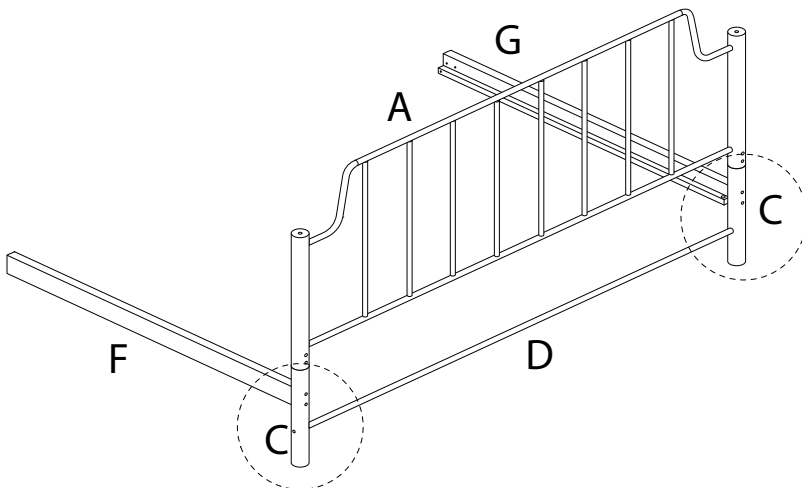
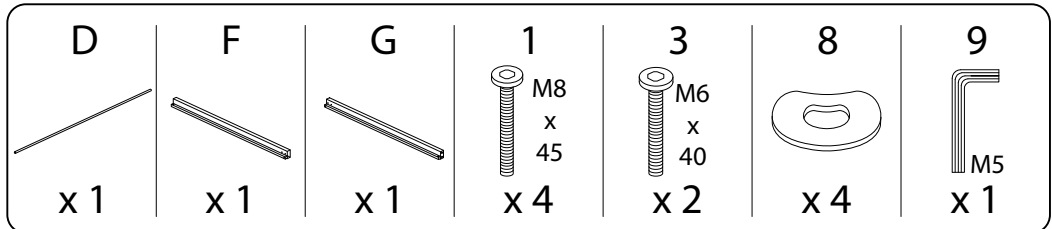


x 2

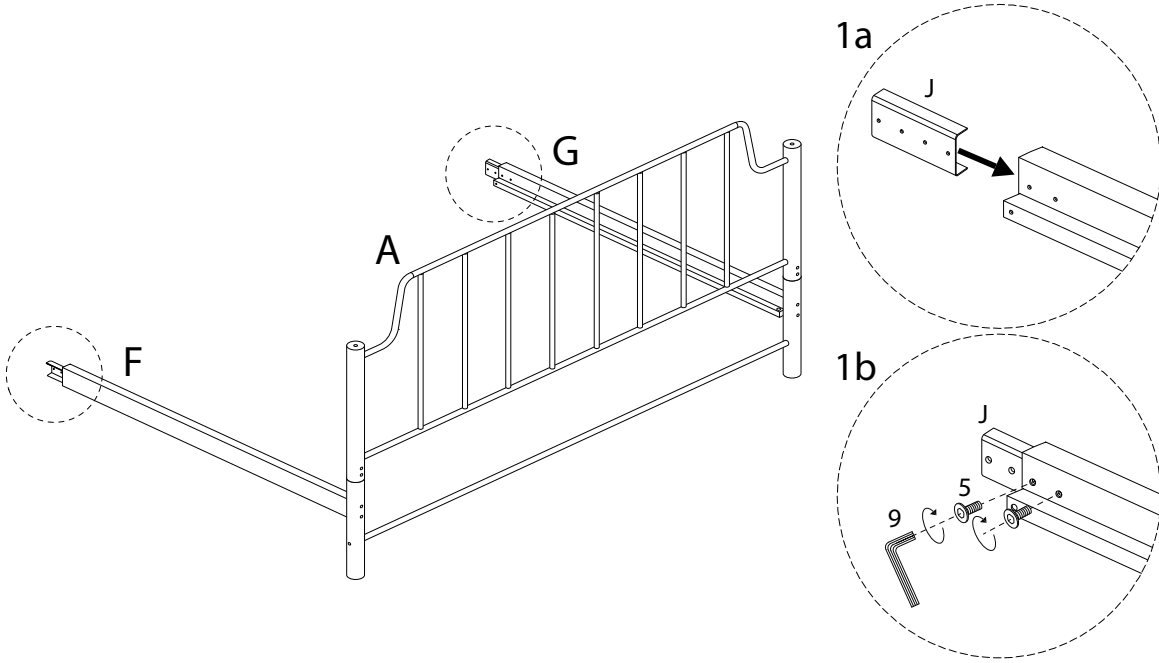
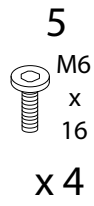
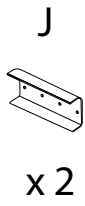
1



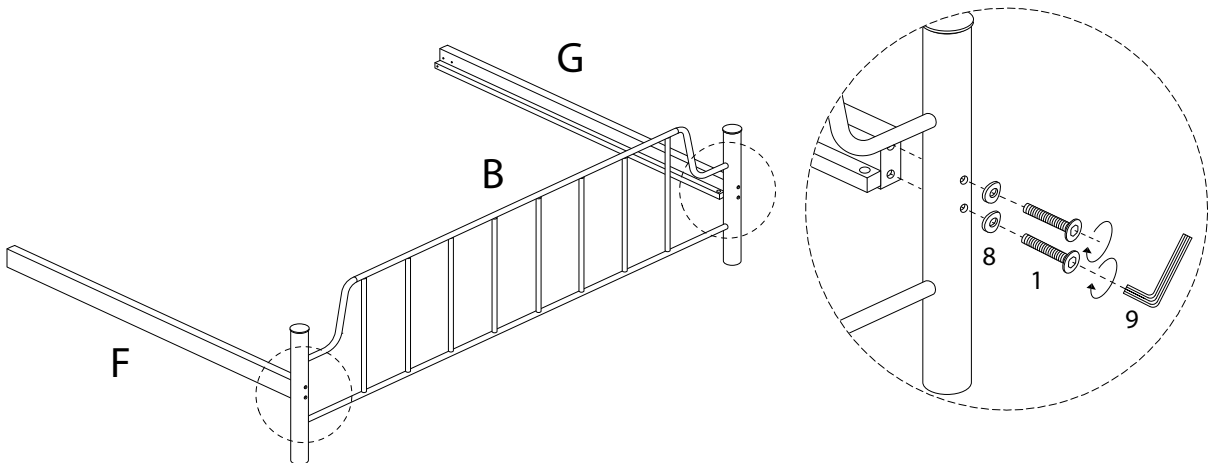
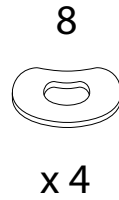
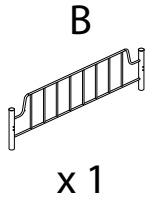
2



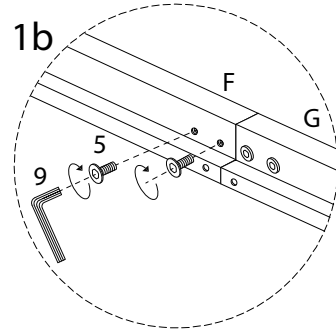
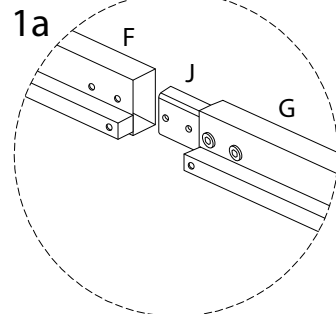
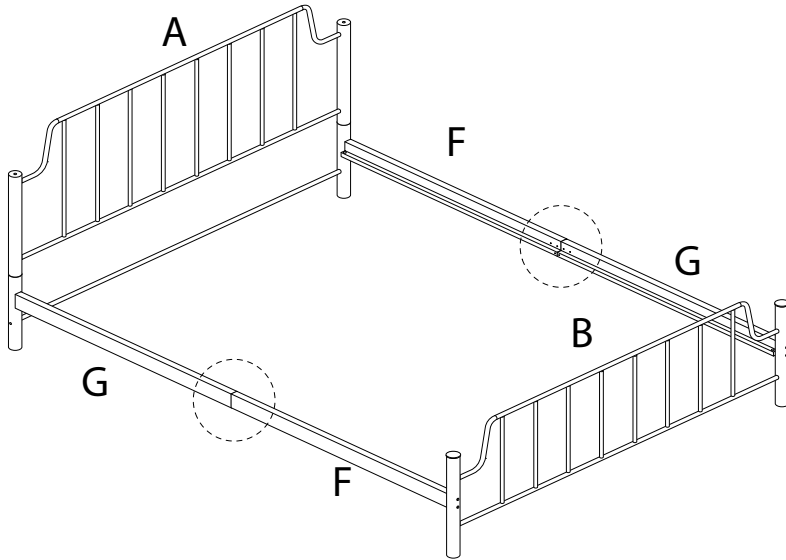
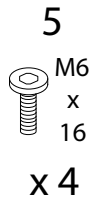
3



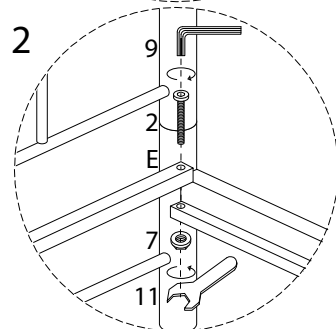
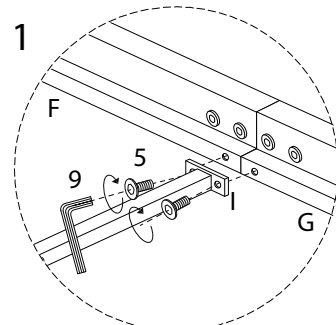
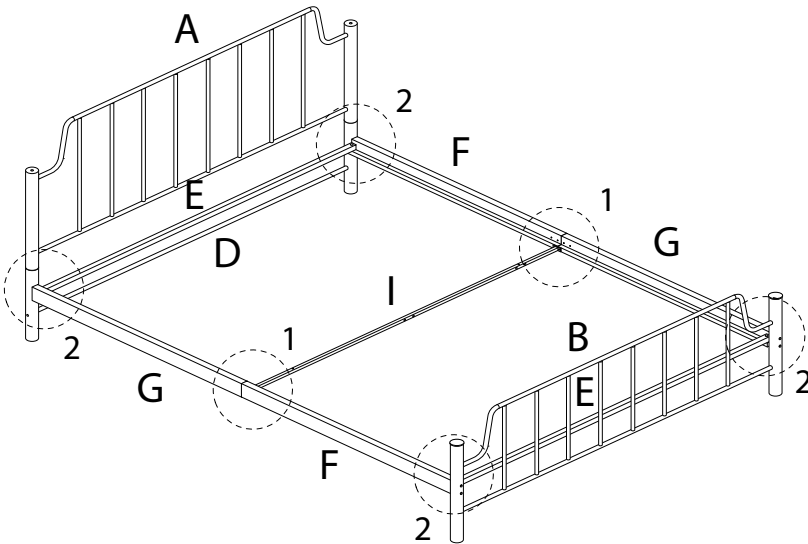
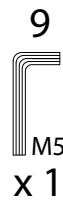
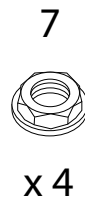
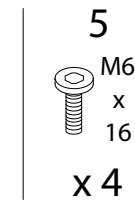
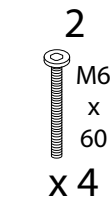
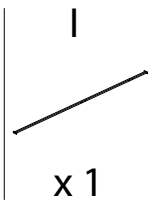
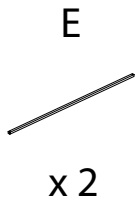
4






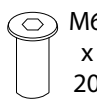
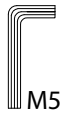
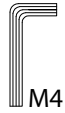
5

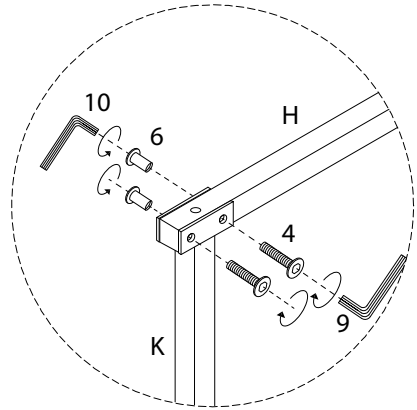
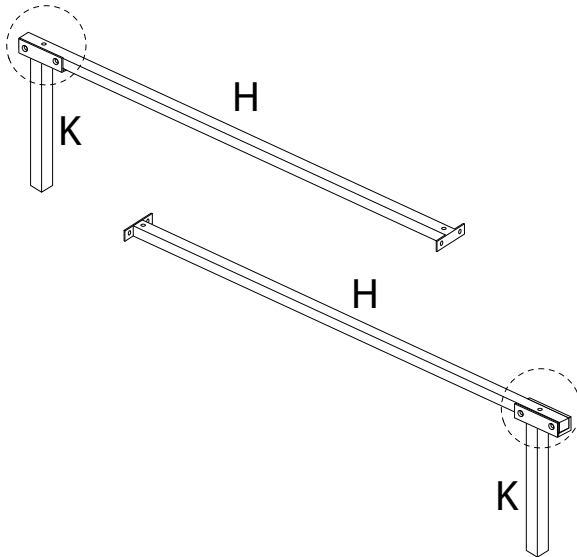


6




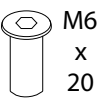




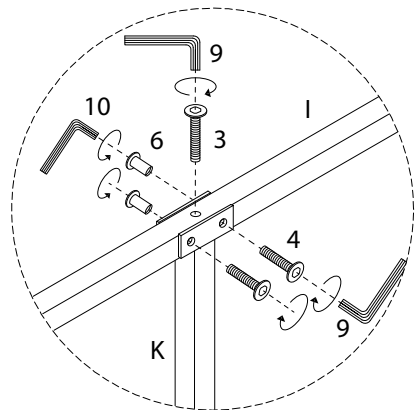
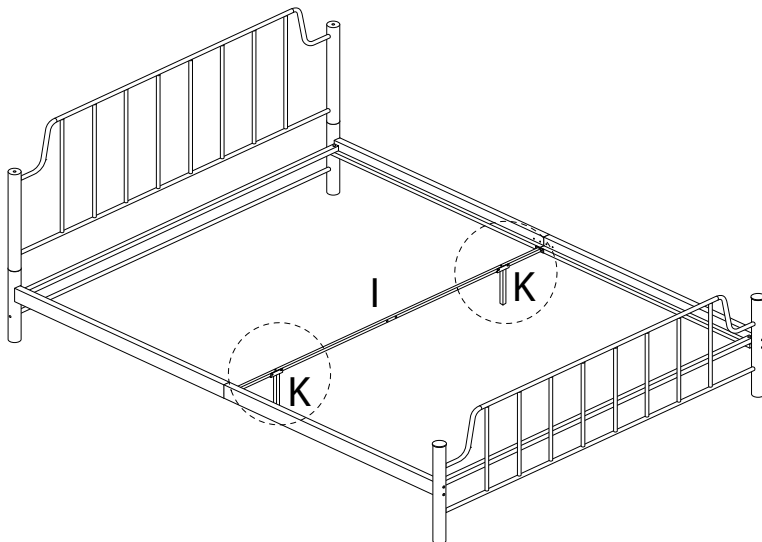
7

<b>H</b>  x 2	<b>K</b>  x 2	<b>4</b>  M6 x 25 x 4	<b>6</b>  M6 x 20 x 4	<b>9</b>  M5 x 1	<b>10</b>  M4 x 1
--	--	--	---	---	--


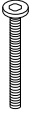
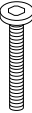

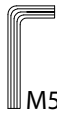



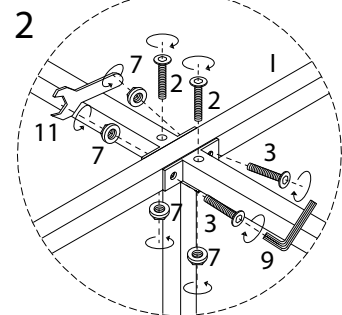
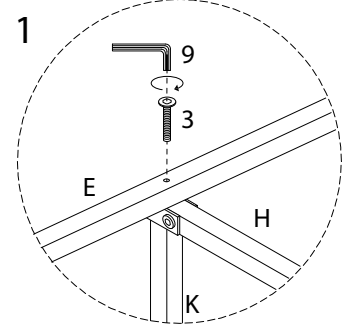
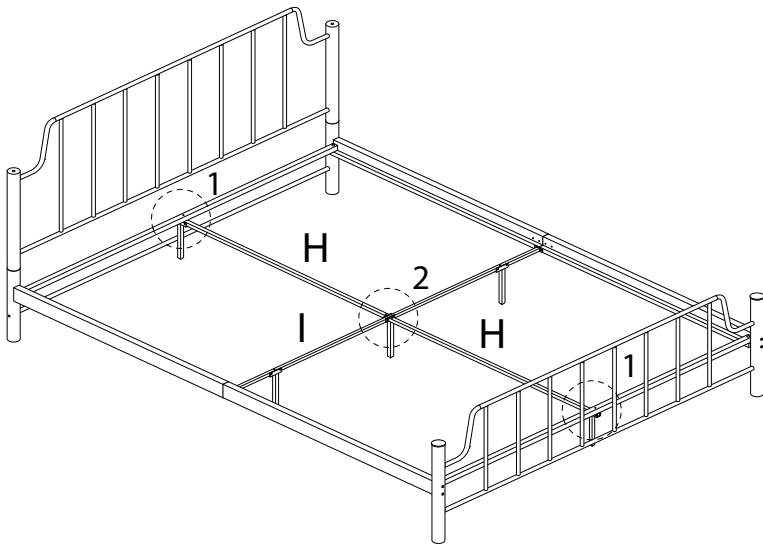
8

<b>K</b>  x 2	<b>3</b>  M6 x 40 x 2	<b>4</b>  M6 x 25 x 4	<b>6</b>  M6 x 20 x 4	<b>9</b>  M5 x 1	<b>10</b>  M4 x 1
--	--	--	---	---	--

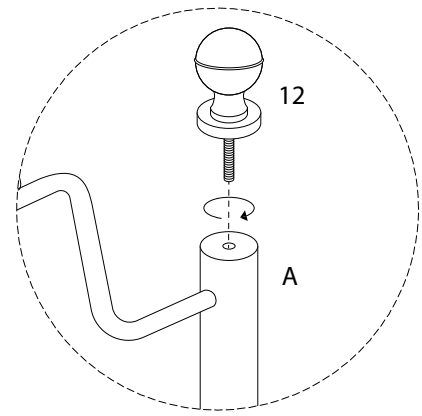
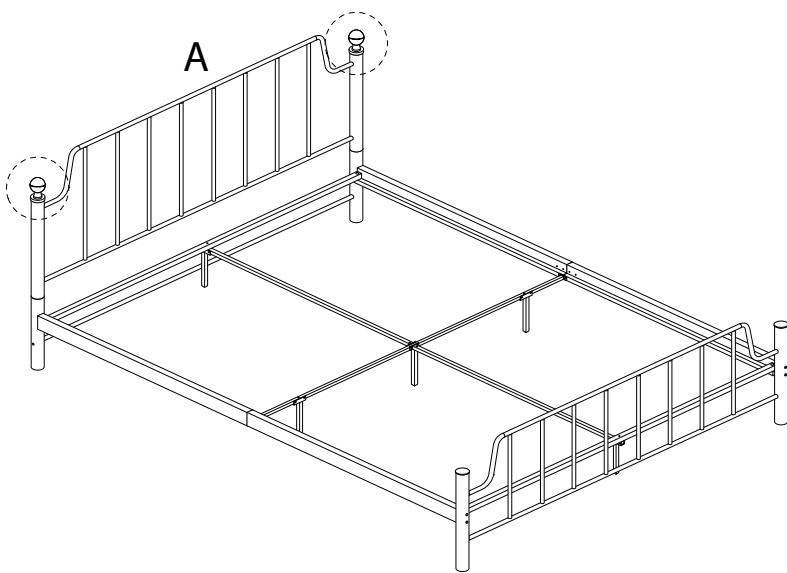


9

 L x 1	 2 M6 x 60 x 2	 3 M6 x 40 x 4	 7 x 4	 9 M5 x 1	 11 x 1
---	--	--	--	---	--



10



11

