



10 : 00

estimated
installation time



1 or more

people required

Ok, let's
get started!



- Put on mood music!
- To prevent damage to product, use the clean side of package carton or rug as working surface.
- In the event of missing or damaged parts, delivery problems etc., please reach out to our team. We will be happy to fix the problem!

care guide

- Clean regularly with a soft and dry cloth.
- To protect finish, avoid use of abrasive cleaners.
- Wipe up spills immediately. Please!



product parts



A
Mirror
x1



B
Shelf
x1

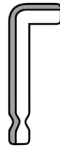


C
French Cleat
x1

what's included



(D)- Bolt
x3



(E)- Allen Key M4
x1



(F) - Wall Plug
x3



(G)- Screw
x3

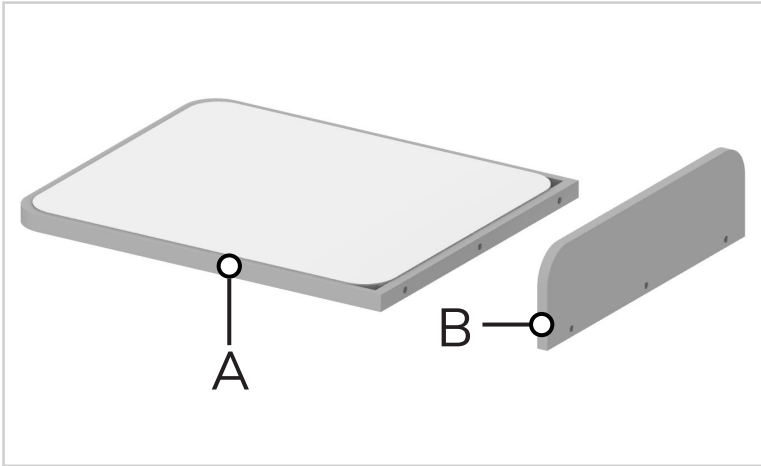
installation instructions

Take a deep breath going in.
This is easy even if you are not
used to tools. Just follow these
steps to the T, and the
outcome will be
worth it!



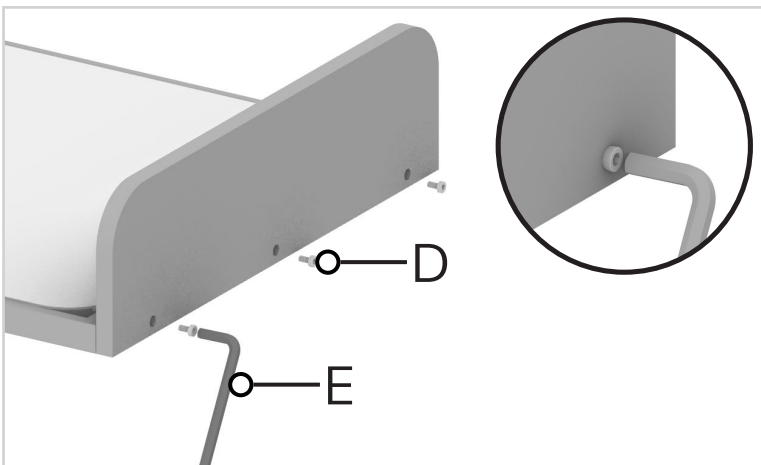
step 1:

Start by placing the mirror top (A) on a flat surface. Now, place the shelf (B) to the bottom of the mirror so that the slots on (A) align with the slots on (B).



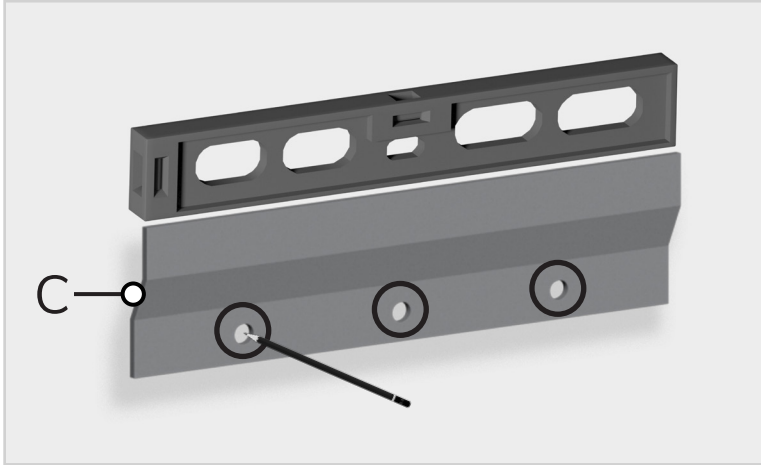
step 2:

Fix the shelf in place by inserting bolts (D) in the given slots. Tighten them using allen key (E).



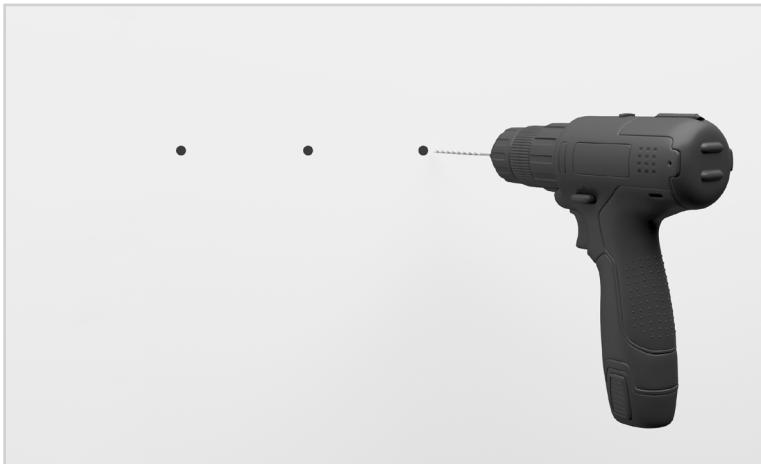
step 3:

Next, place the french cleat (C) on the wall you want to hang the mirror on and put a spirit level on it to check alignment. Adjust if needed. Once it is in a straight alignment, mark the wall through the pre-drilled holes on (C). Take this image as a reference.



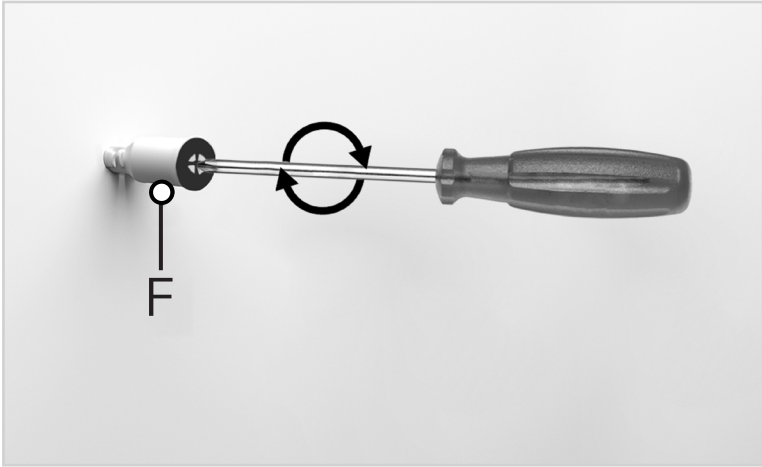
step 4:

Drill holes approx. 10 mm at the points you just marked.



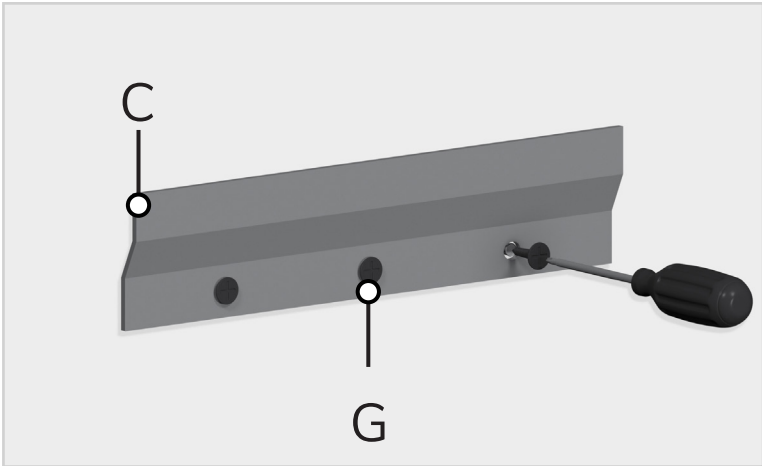
step 5:

Insert the wall plug (F) and tighten with the help of a screwdriver.



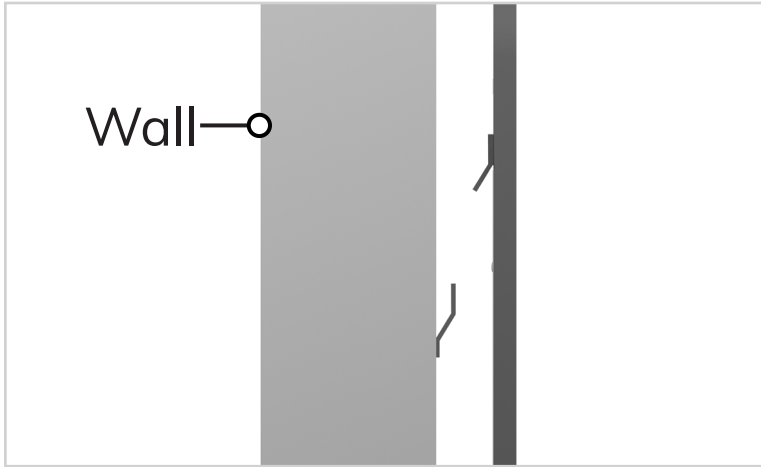
step 6:

Fix screws (G) into the wall plugs (F). Use a screwdriver to make sure they are secure.



step 7:

Place the mirror's bracket into the French Cleat (C) on the wall.





Voila! Your mirror is now installed and secure!

you've
got
a home
with us

