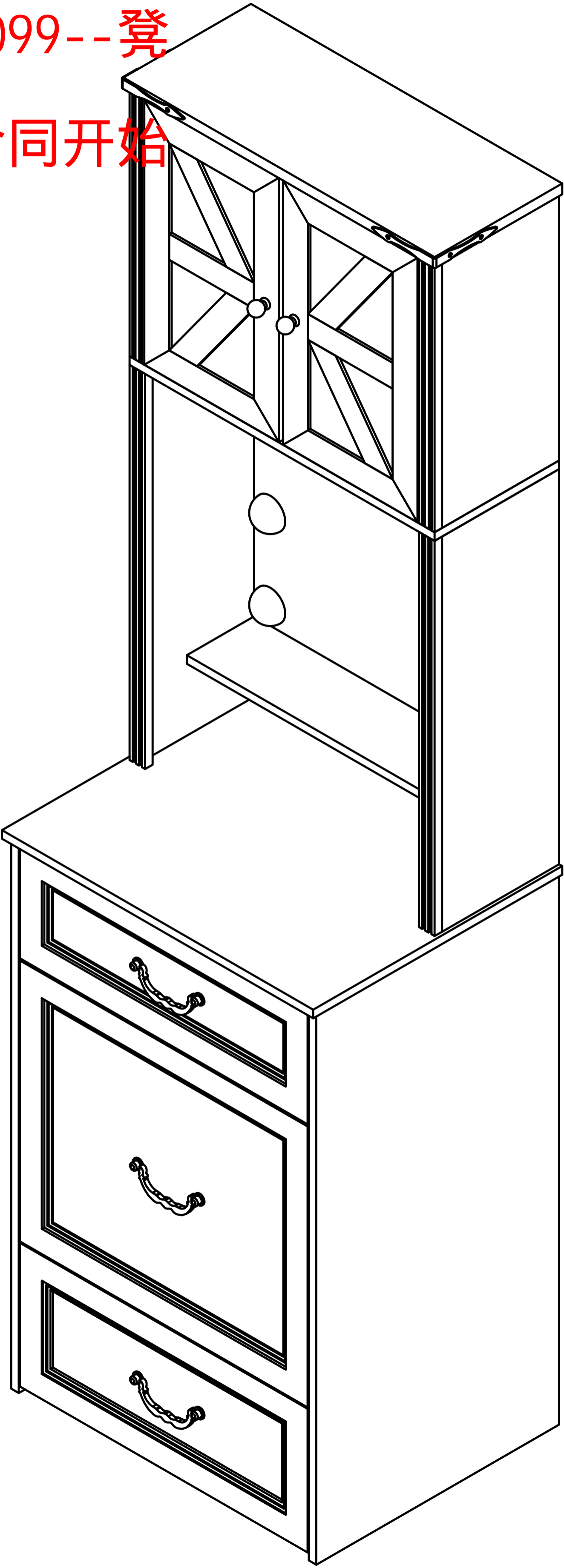
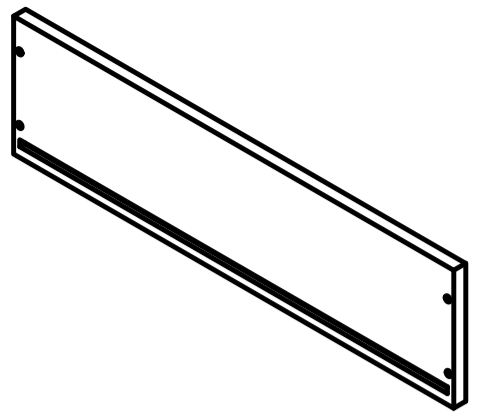


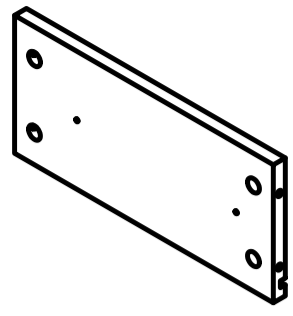
85099 Product Installation Instructions

388单 85099--凳
子加做包
--LY2494合同开始

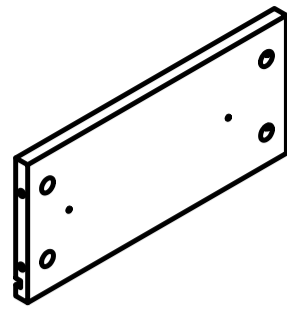




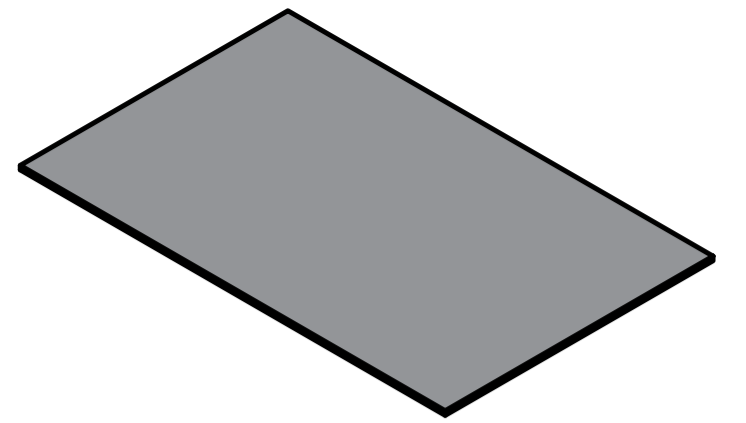
1x1



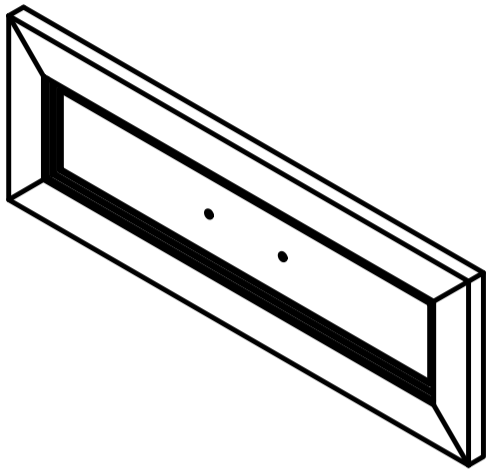
2x2



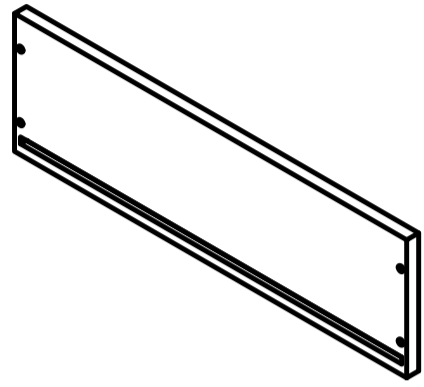
3x2



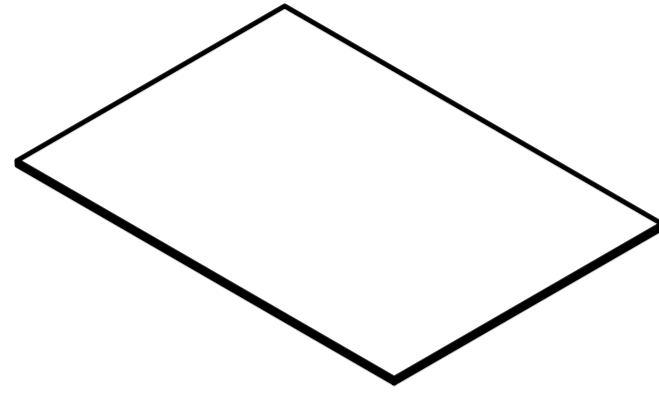
4x1



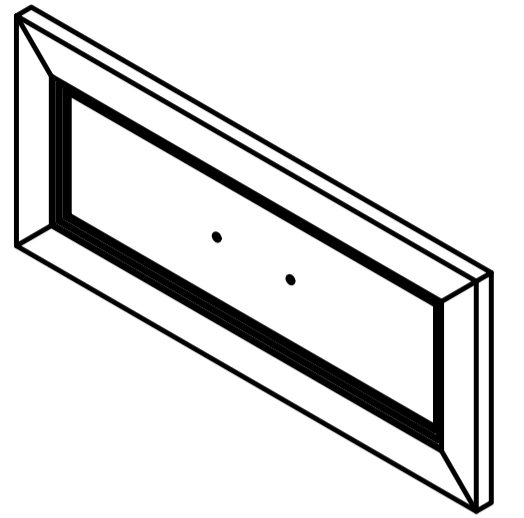
5x1



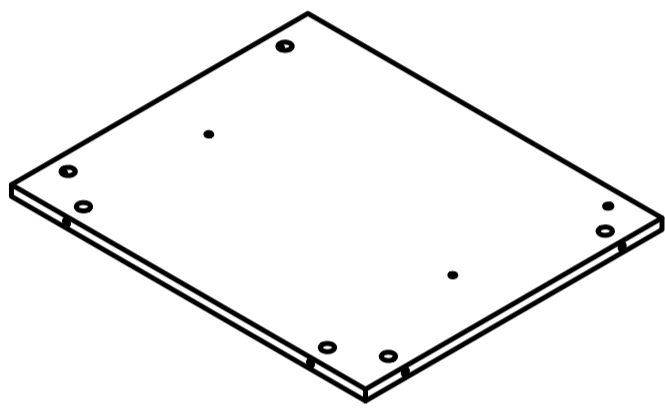
6x1



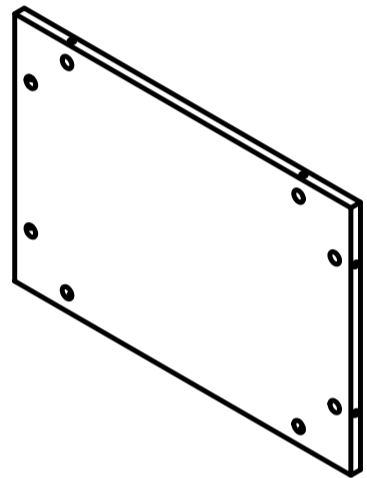
7x1



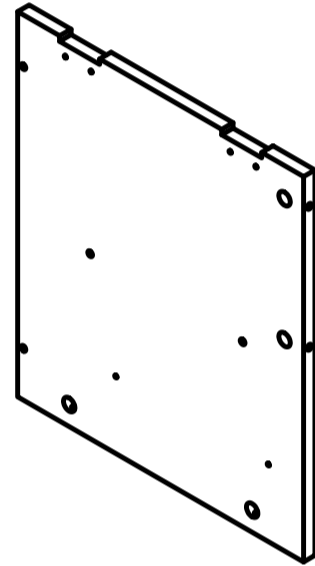
8x1



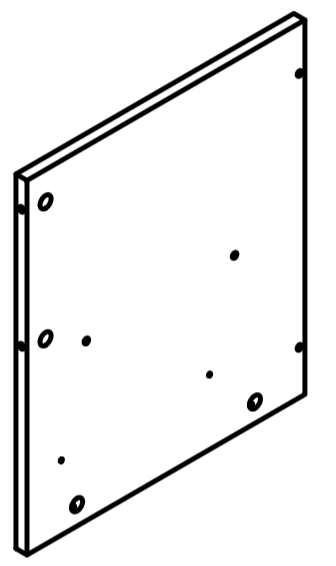
9x1



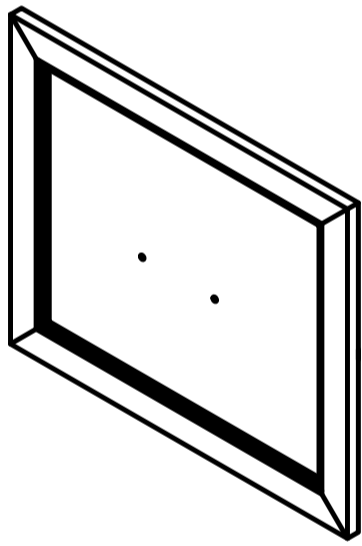
10x1



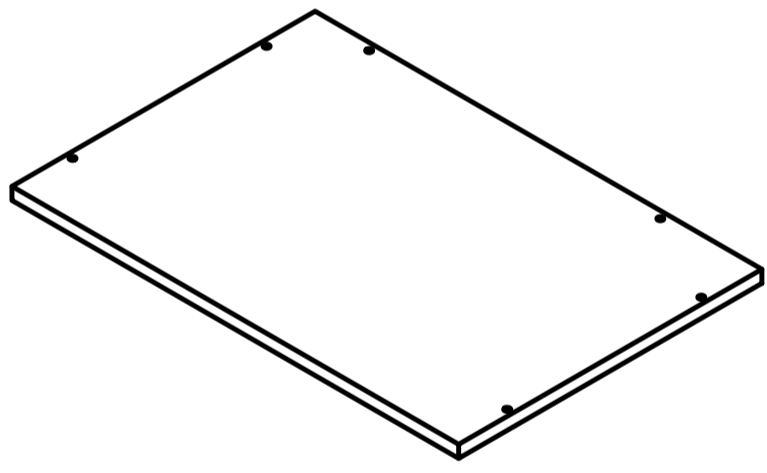
11x1



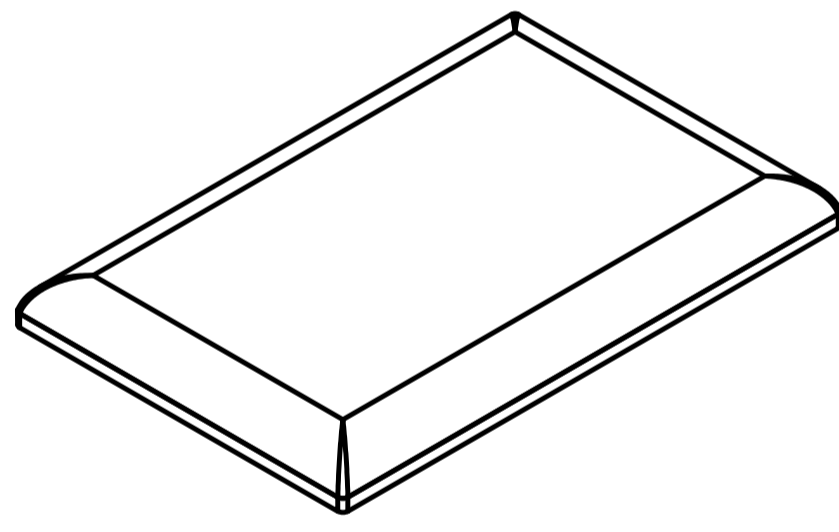
12x1



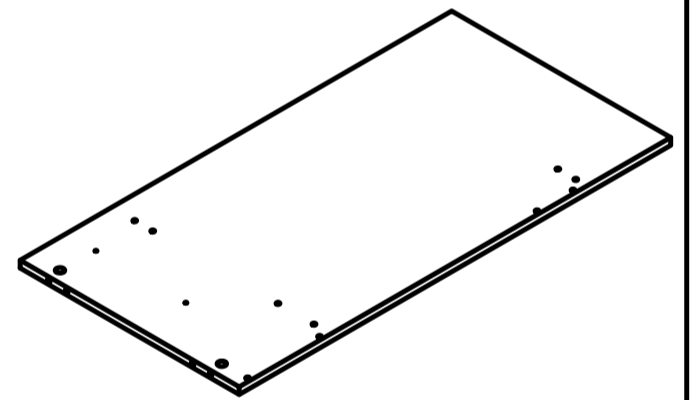
13x1



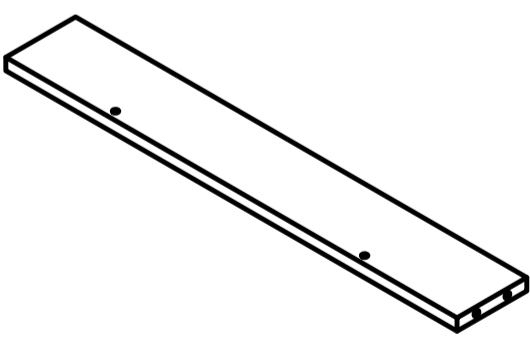
14x1



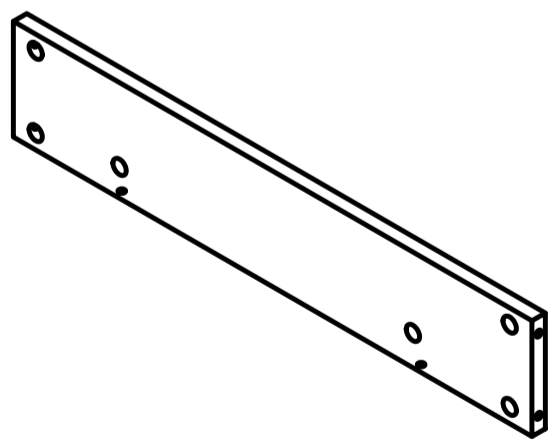
15x1



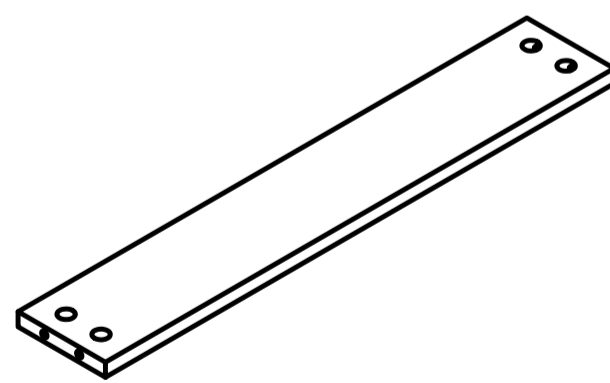
16x1



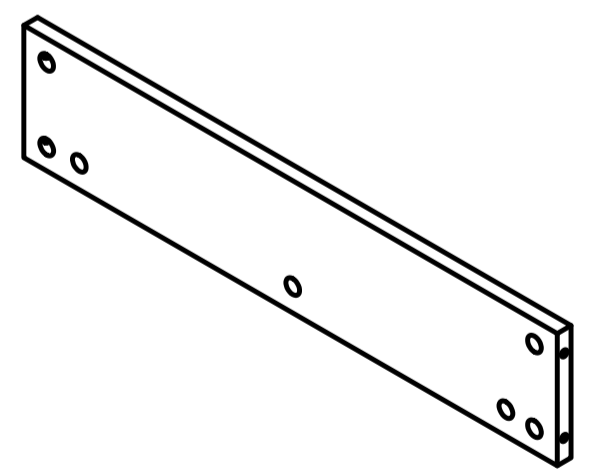
17x1



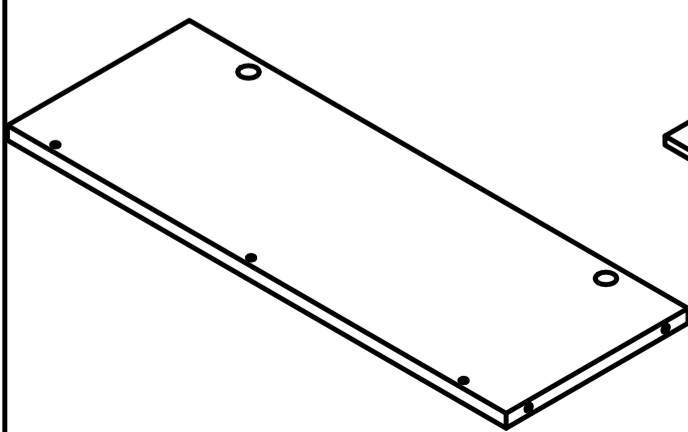
18x1



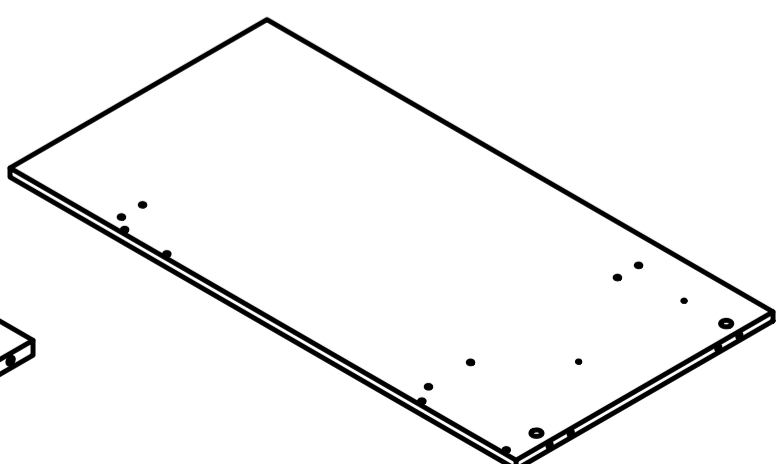
19x1



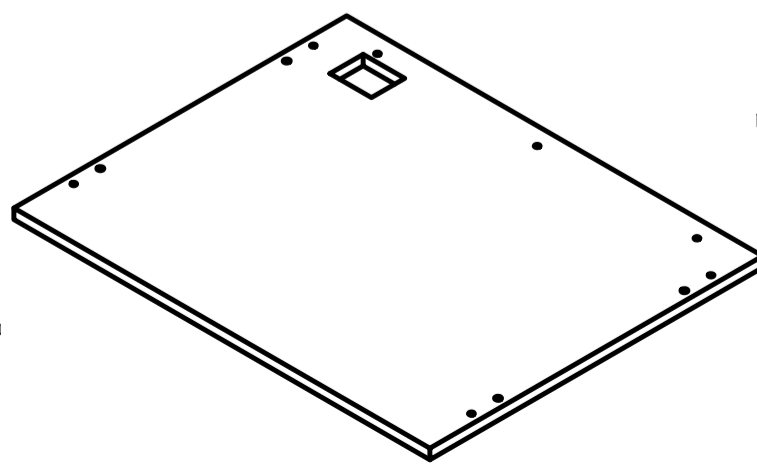
20x1



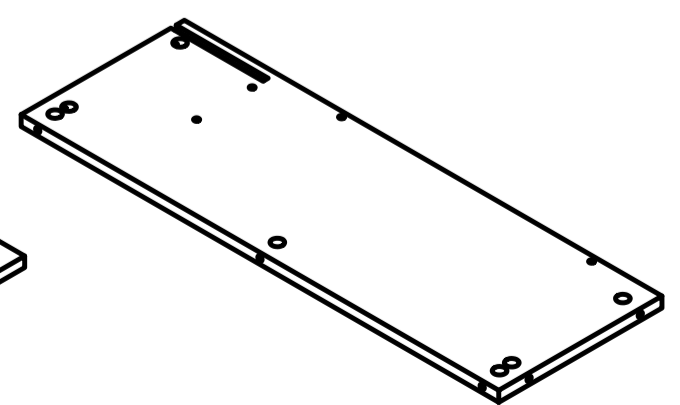
21x1



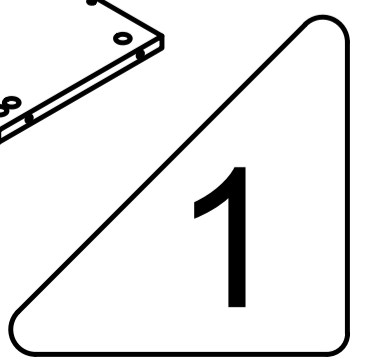
22x1



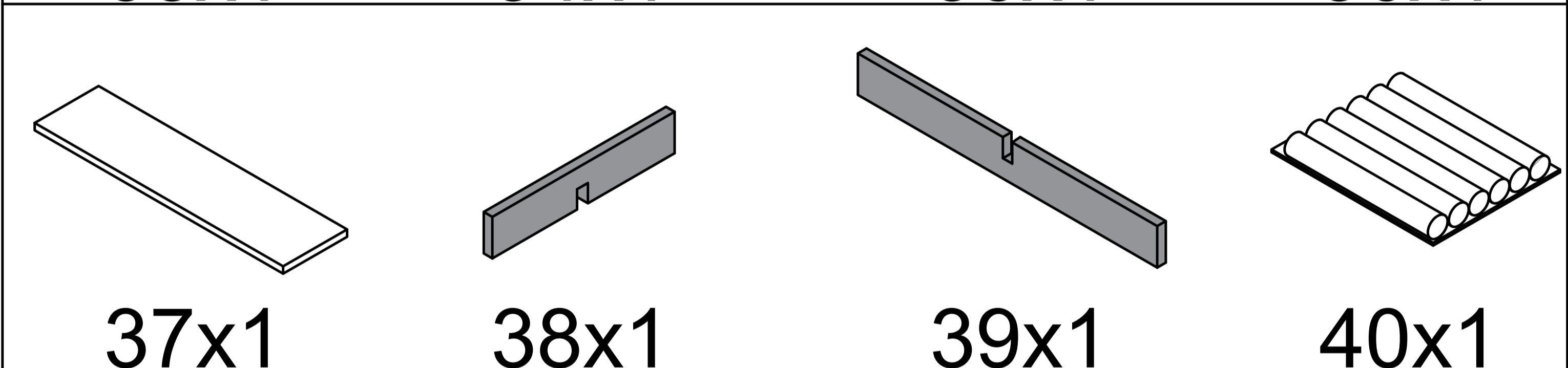
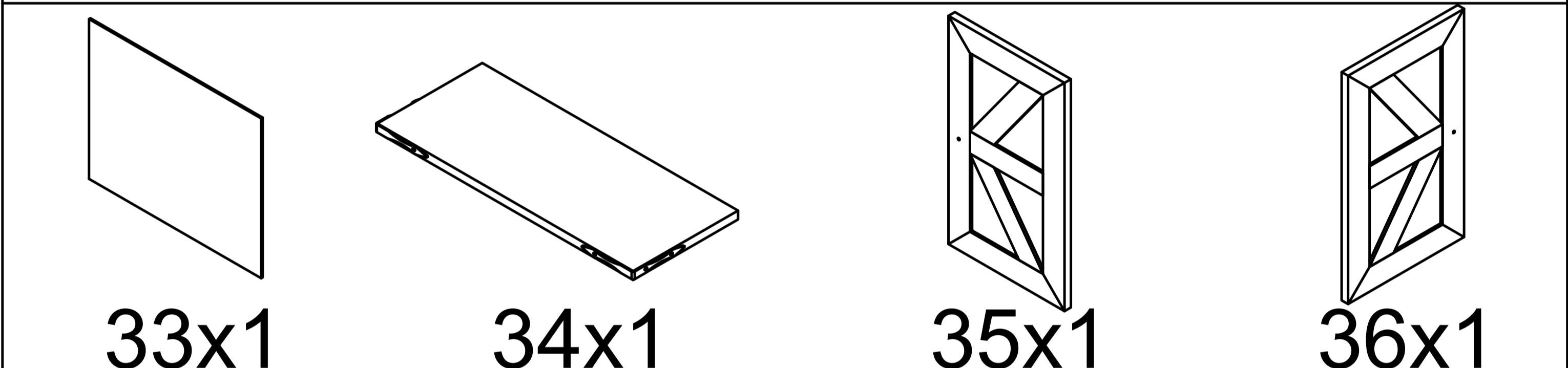
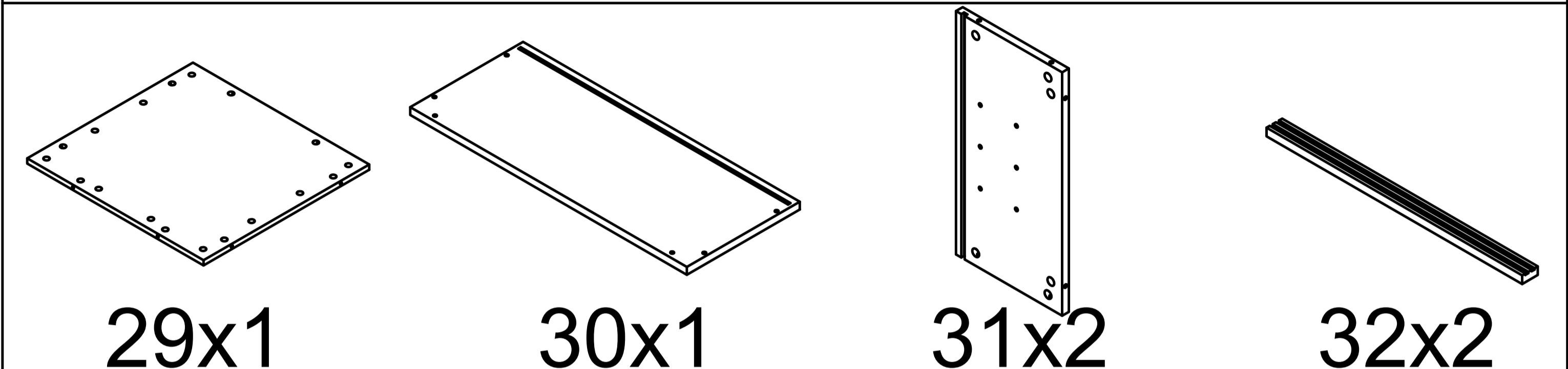
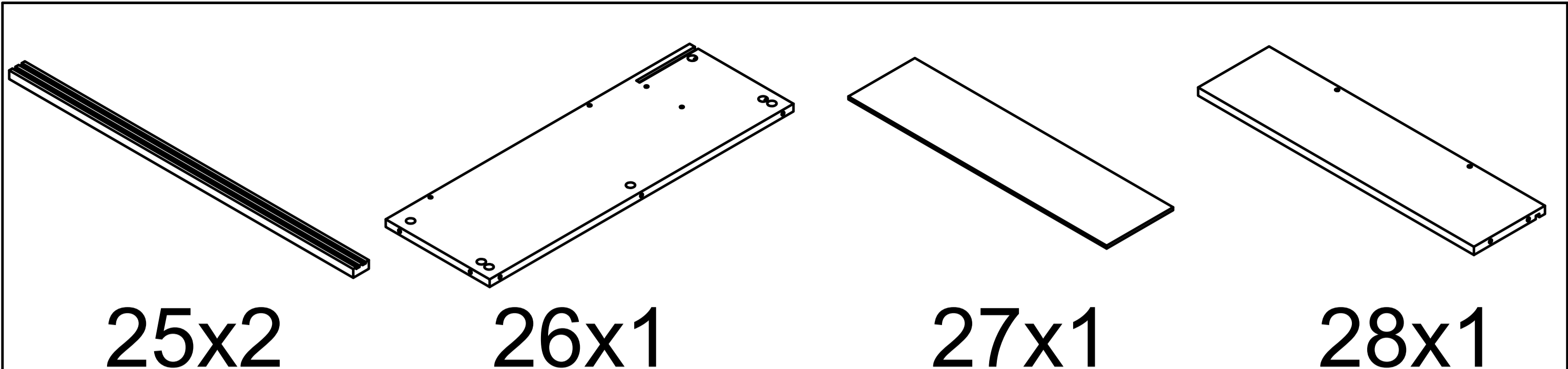
23x1

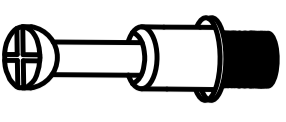
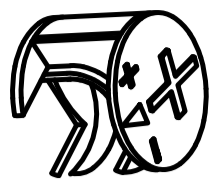

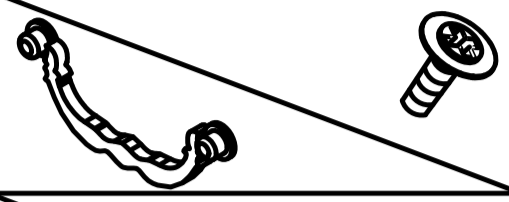
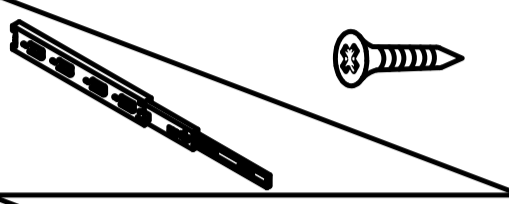
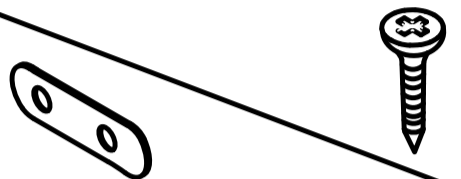

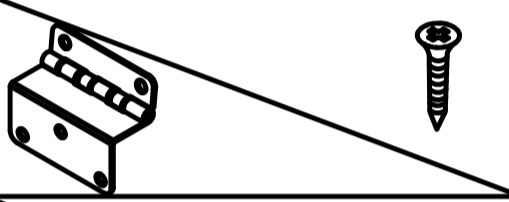
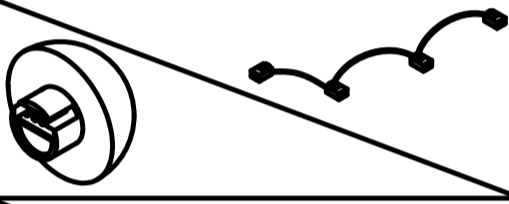
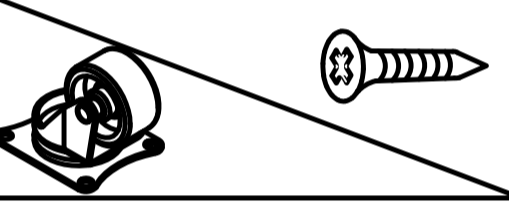
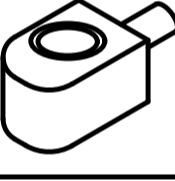
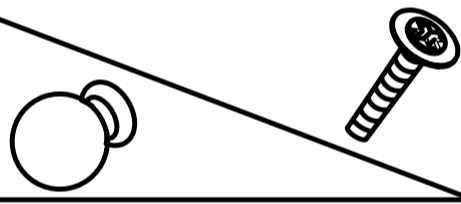
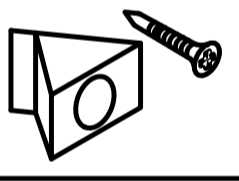

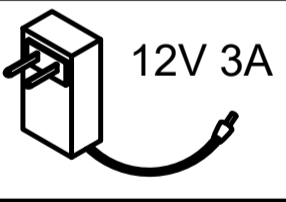
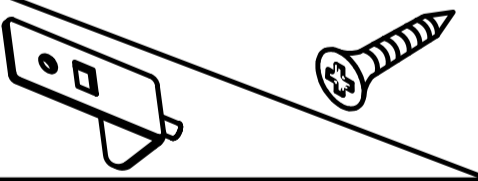
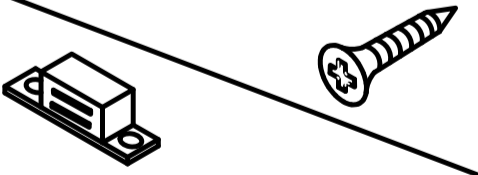


24x1



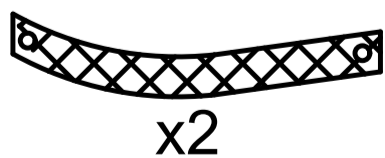
1



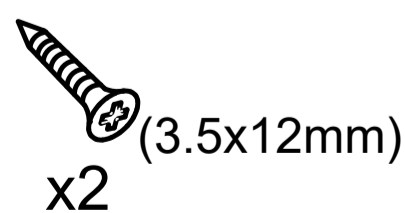
(A)		Two in one screw (6x28mm)	108pcs +5pcs
(B)		Two in one nut (10x12mm)	108pcs +5pcs
(C)		Wood Chipping (6x30mm)	4pcs +1pcs
(D)		Handle & Screw (4x8mm)	3pcs / 6pcs +1pcs
(E)		(10inch)Guide & Screw (3.5x12mm)	4pcs / 20pcs +2pcs
(F)		Magnetic attraction iron sheet (2.6x10mm)	2pcs / 4pcs +1pcs
(G)		Soundproof pad	4pcs +1pcs
(H)		Hinge & Screw (3.5x12mm)	2pcs / 10pcs +1pcs
(I)		Light bulb	10pcs / 1pcs
(J)		Universal wheel (3.5x12mm)	4pcs / 16pcs +1pcs
(K)		Laminate support nail	4pcs +1pcs
(L)		Handle & Screw (4x16mm)	2pcs / 2pcs +1pcs
(M)		Fixing Clip & Screw (3x16mm)	6pcs +1pcs
(N)		Protective sticker	10pcs +1pcs
(O)		The power adapter 12V 3A	1pcs
(P)		Simple hinges (3.5x12mm)	4pcs / 8pcs +1pcs
(Q)		Iron sheet & Screw (3x16mm)	1pcs / 2pcs +1pcs

Anti tipping hardware

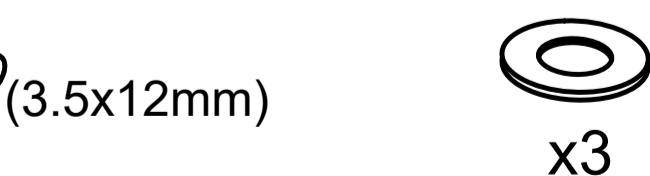
(R)



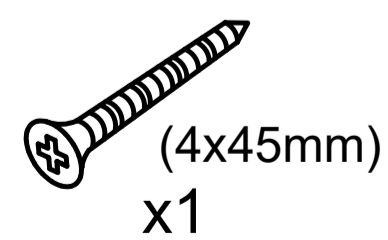
x2



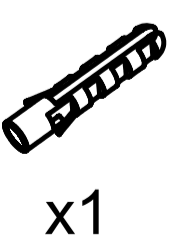
x2



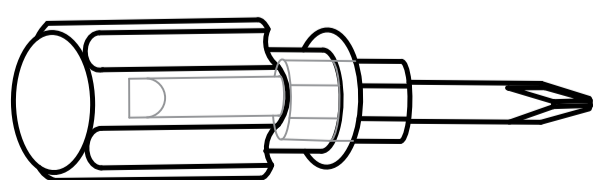
x3



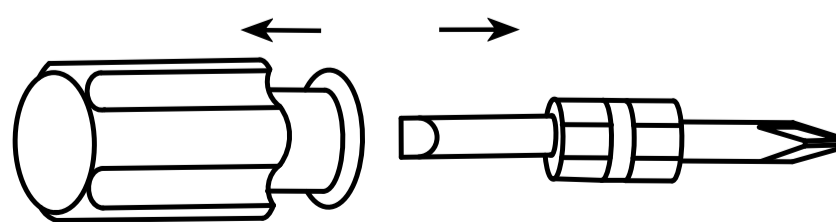
x1



x1



1pcs

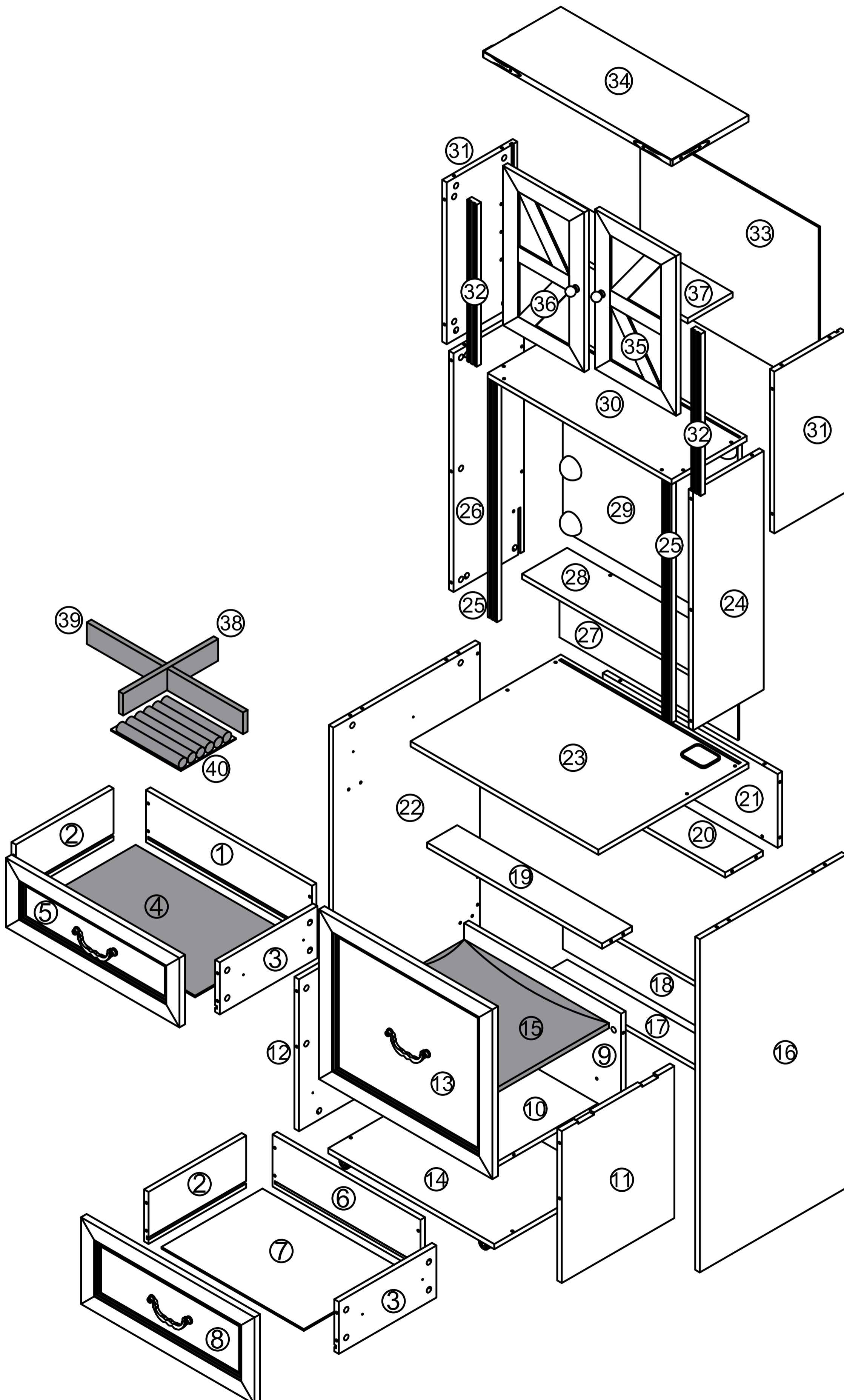


Double-head screwdriver, use as required

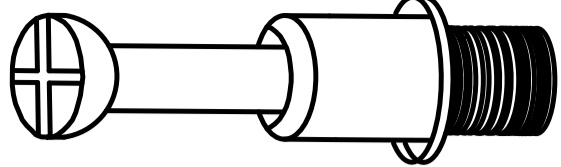
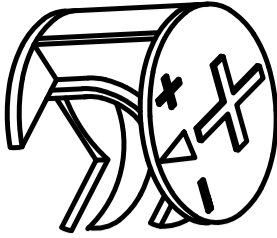
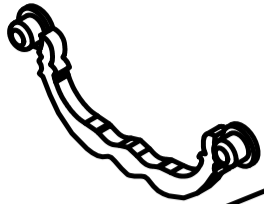

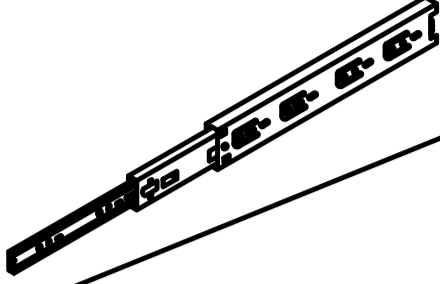
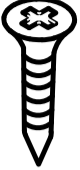
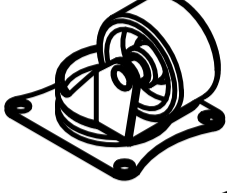

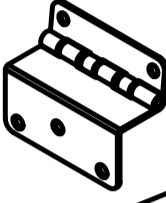
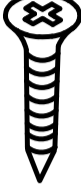
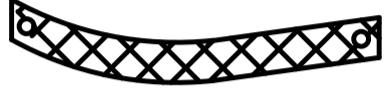


SY

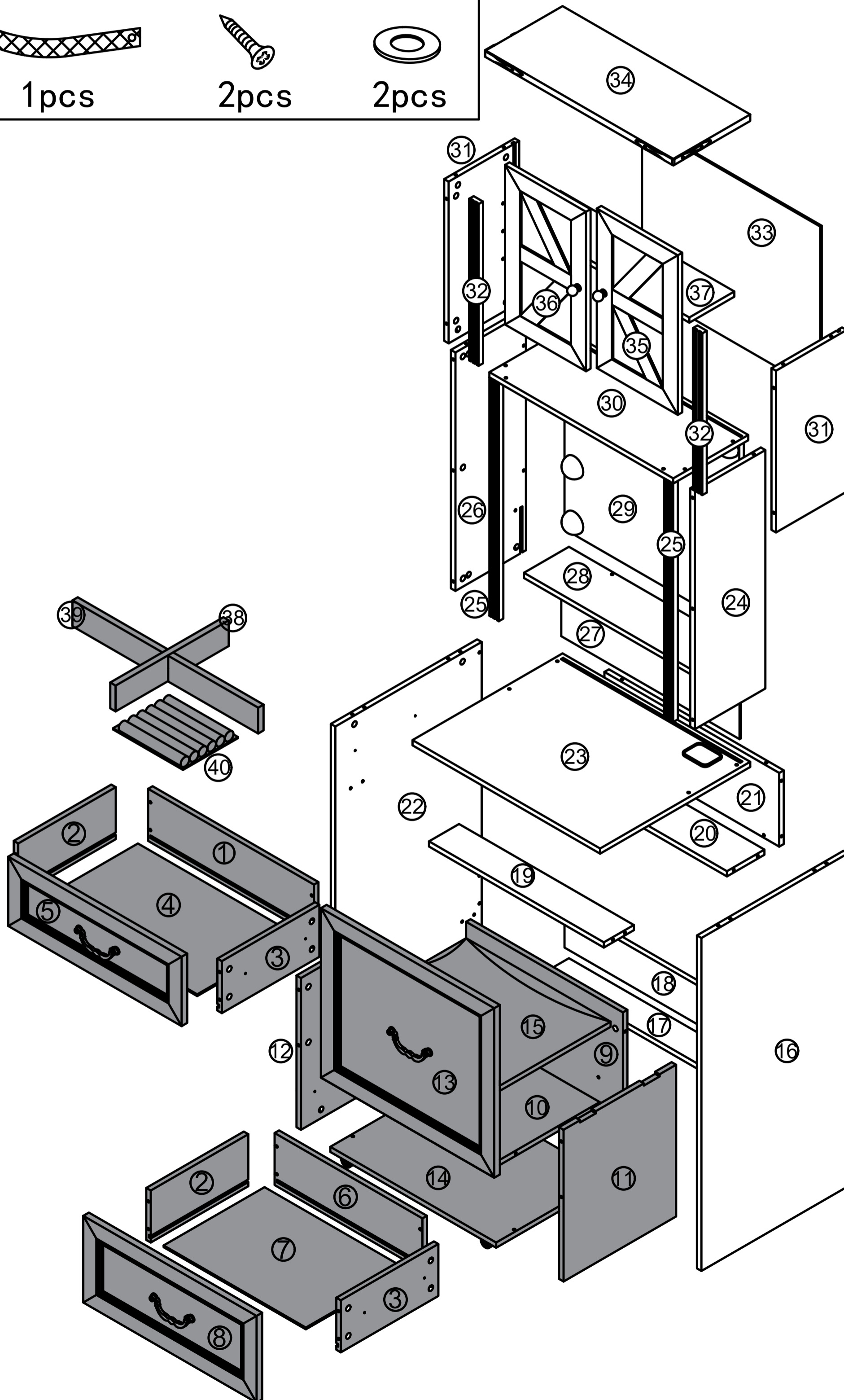


Product structure decomposition



SY

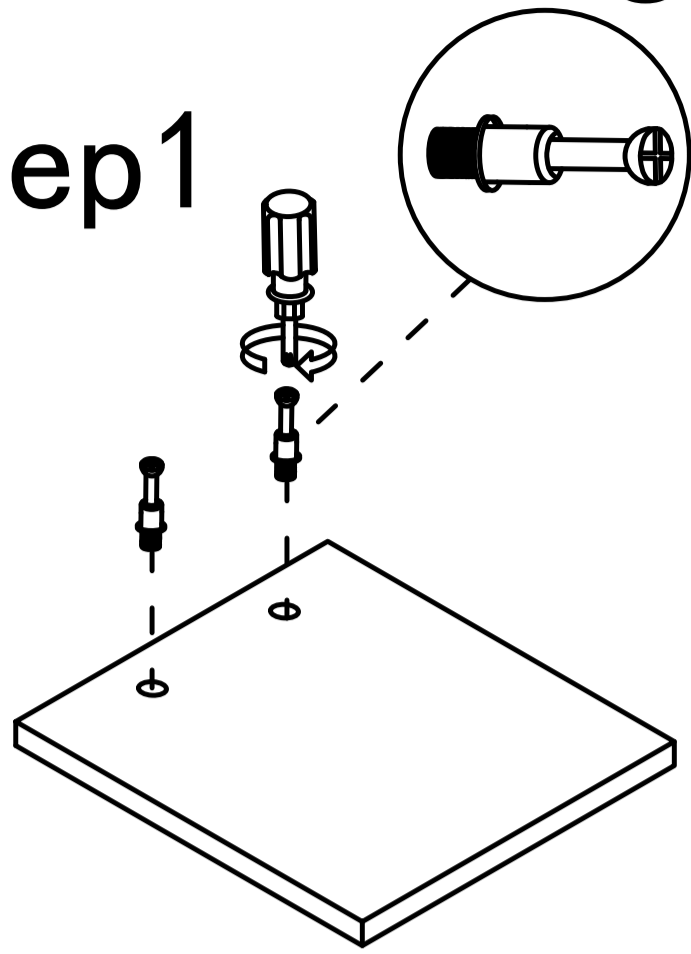
<p>A</p>		<p>38pcs</p>	<p>B</p>		<p>38pcs</p>
<p>D</p>	 	<p>3pcs 6pcs</p>	<p>E</p>	 	<p>4pcs 8pcs</p>
<p>J</p>	 	<p>4pcs 16pcs</p>	<p>H</p>	 	<p>2pcs 10pcs</p>
<p>R</p>		<p>1pcs</p>			<p>2pcs</p>
		<p>2pcs</p>			<p>2pcs</p>



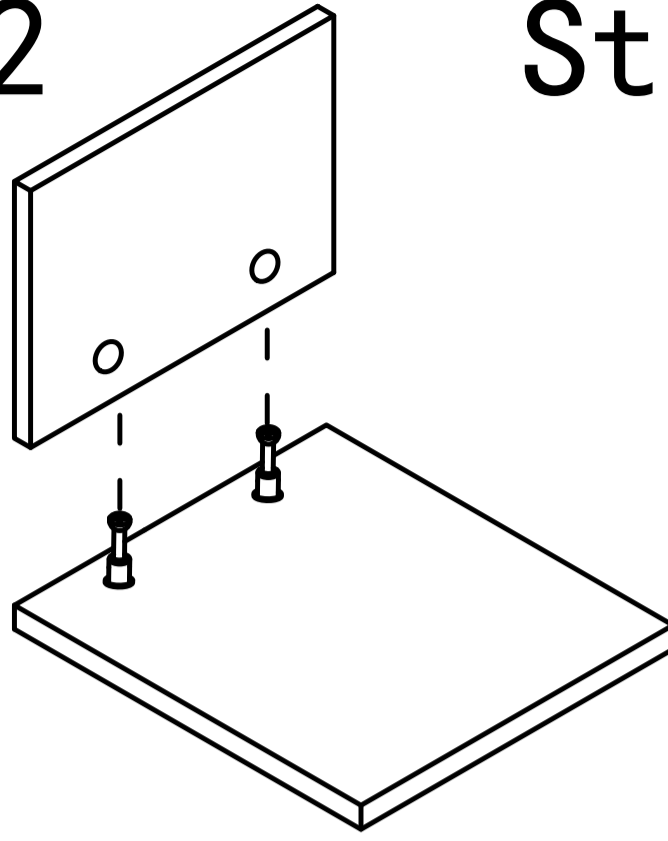
SY

Use parts A and B

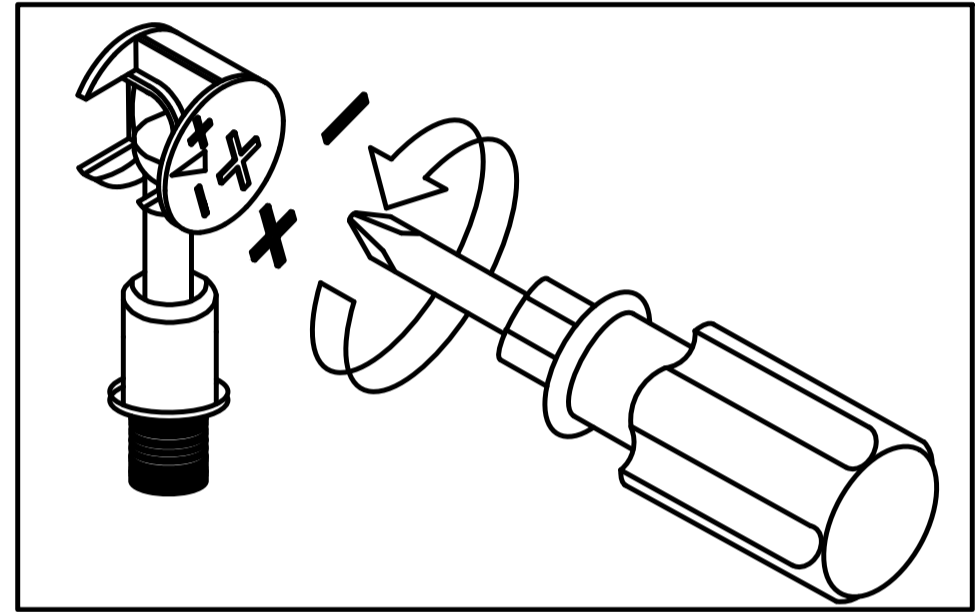
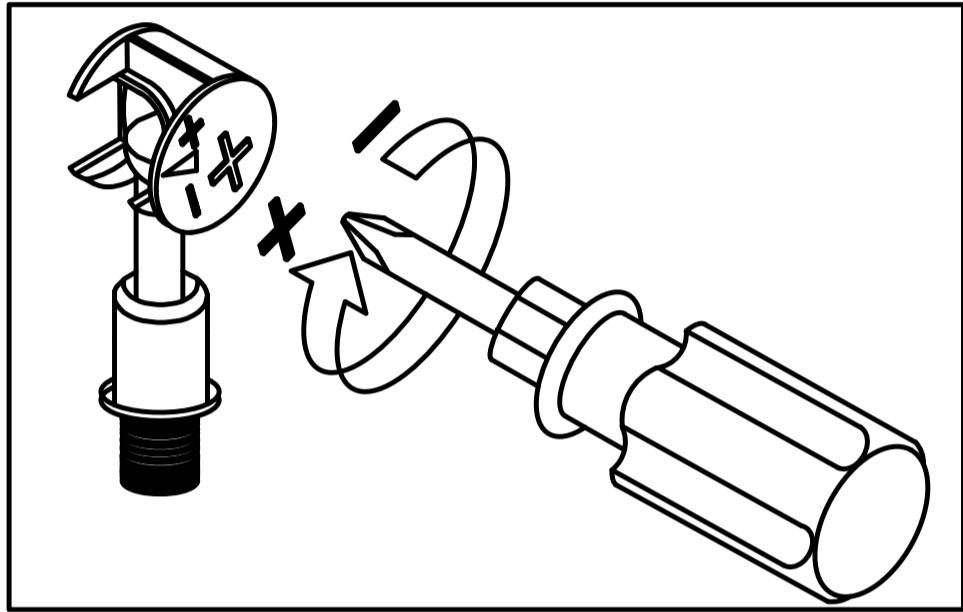
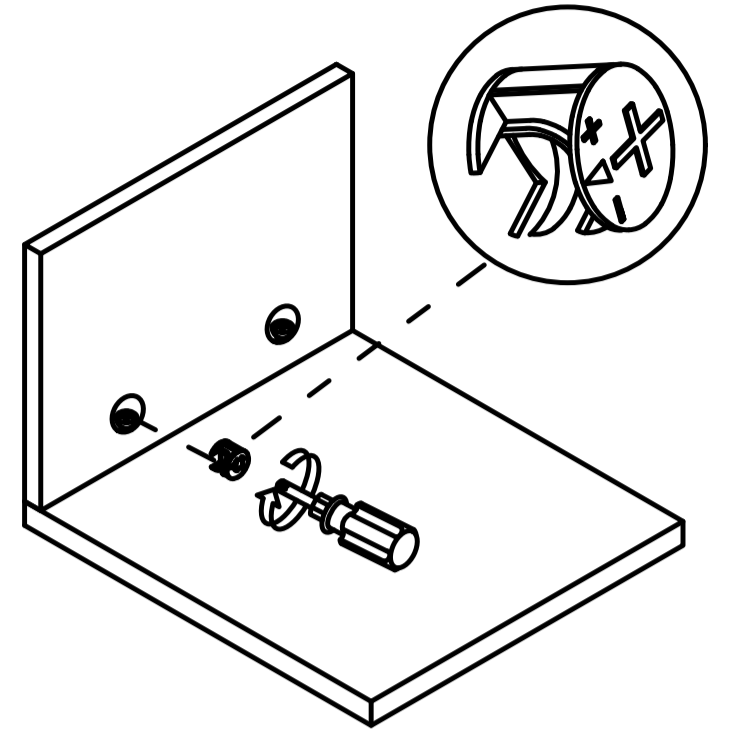
Step 1



Step 2



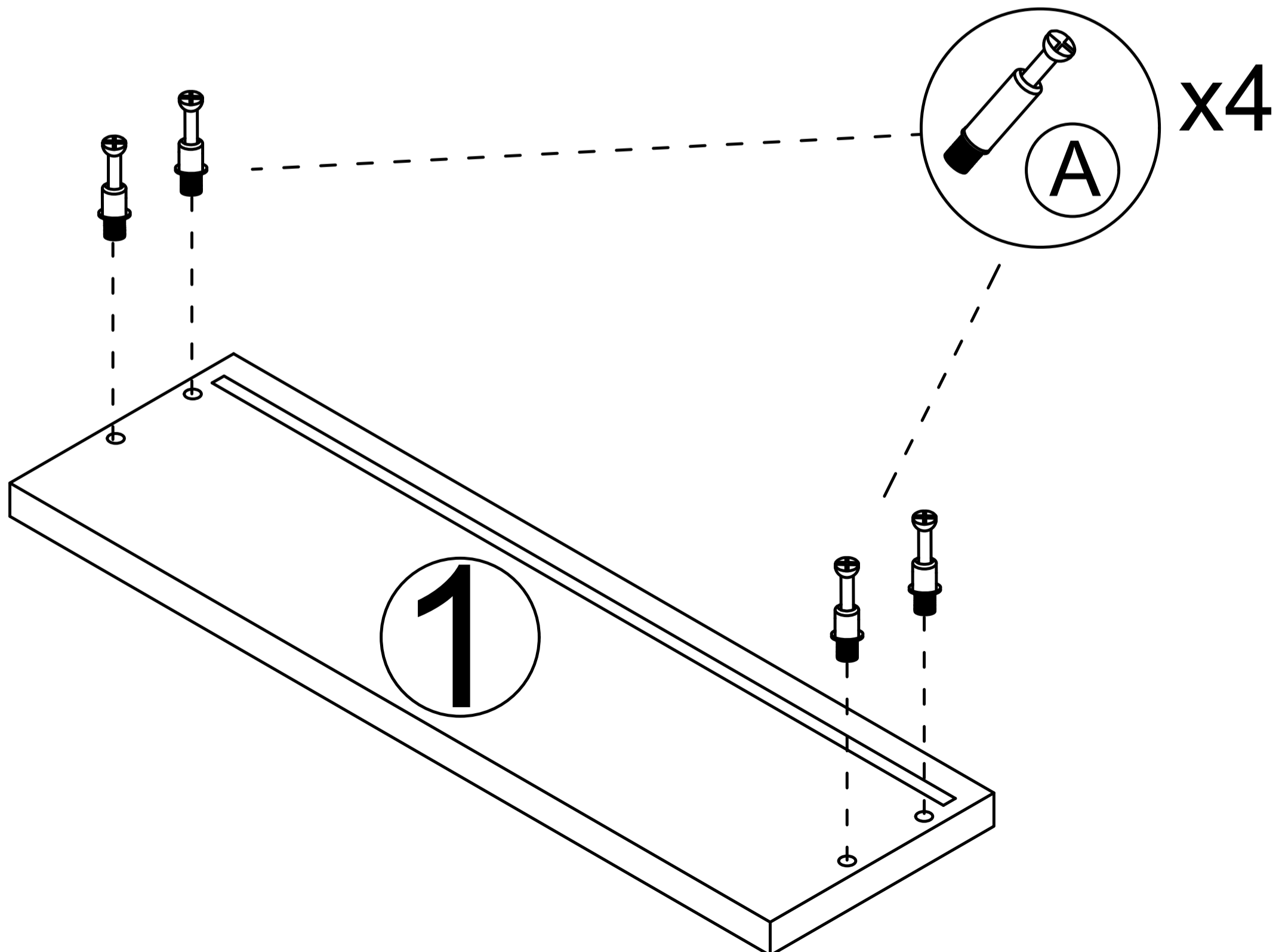
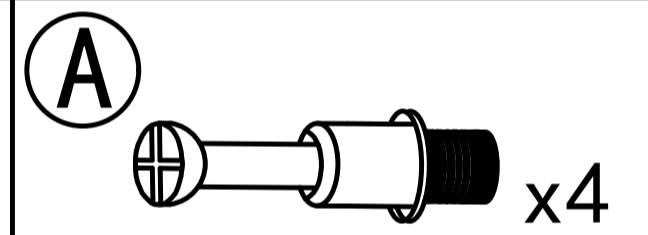
Step 3



Use a screwdriver to lock in the direction of the "+" sign

Disassemble along the direction of "-" sign

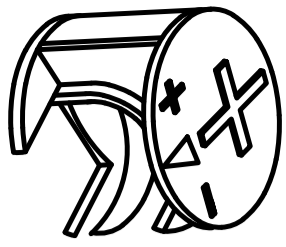
Step 1

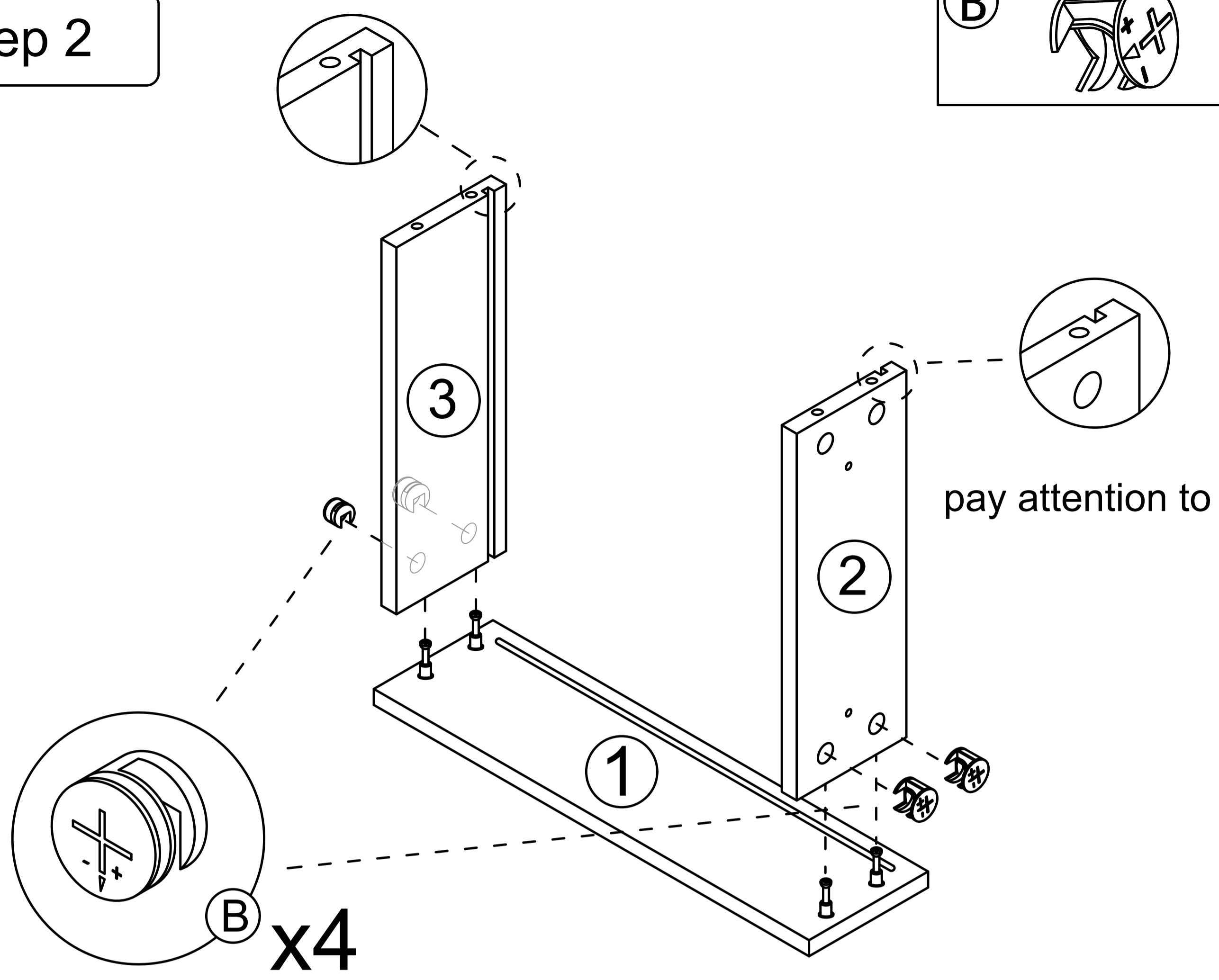


6

SY

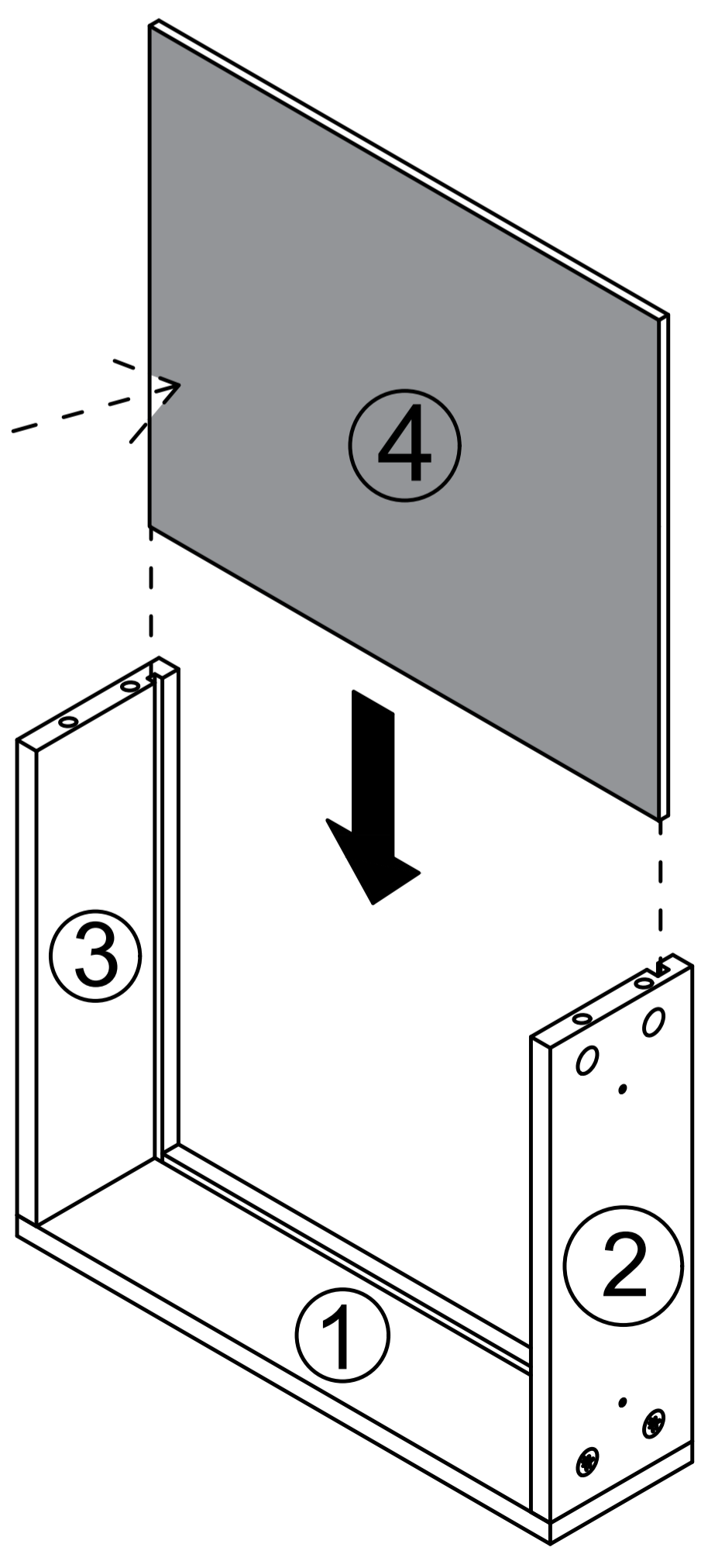
Step 2

(B)  x 4

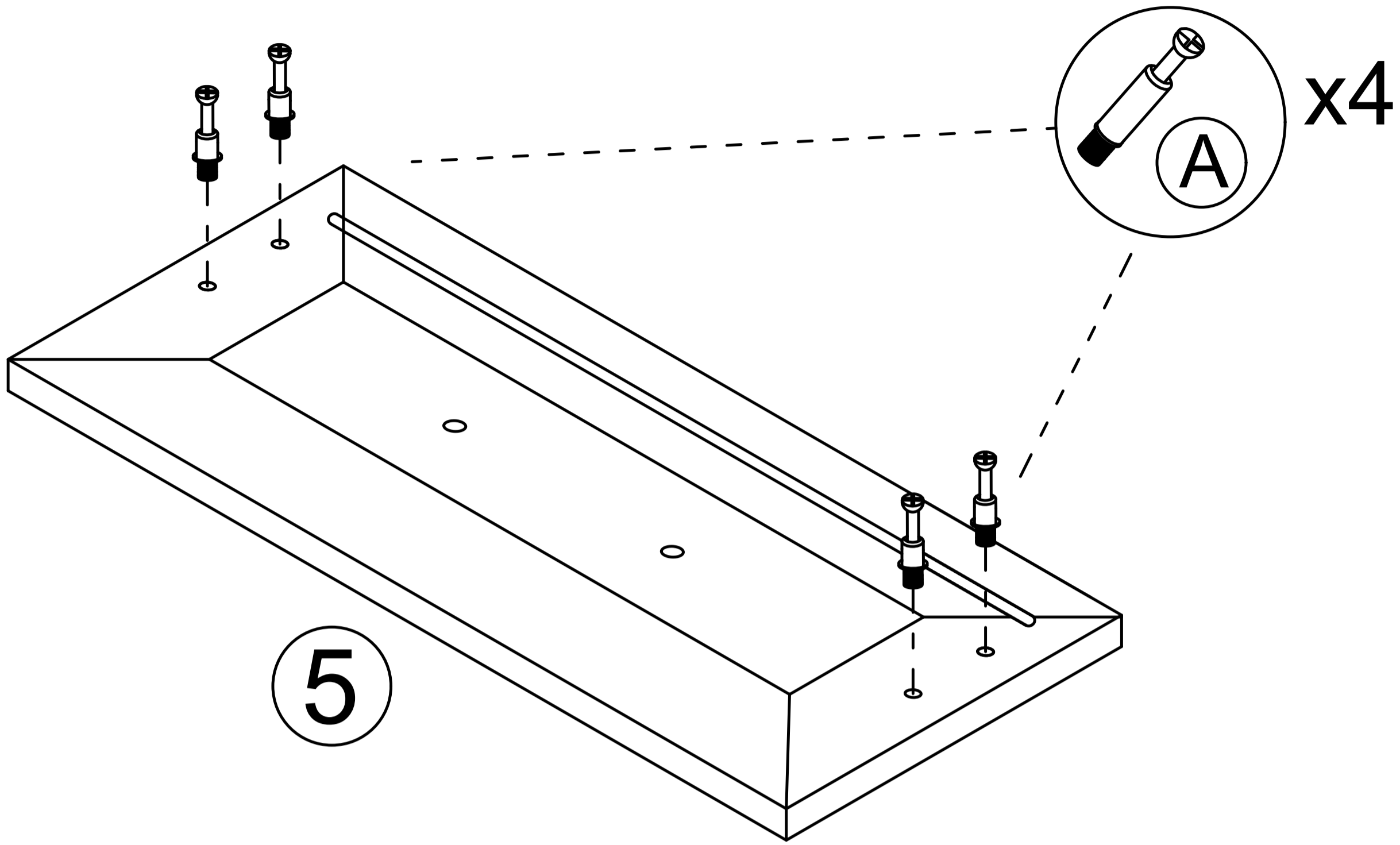
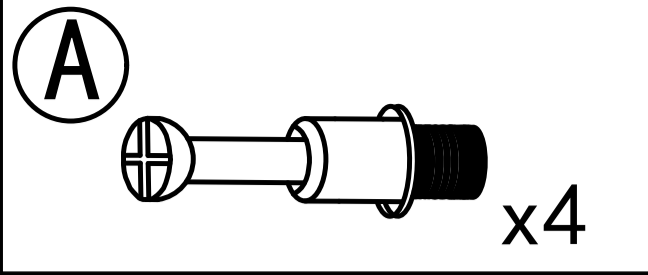


Step 3

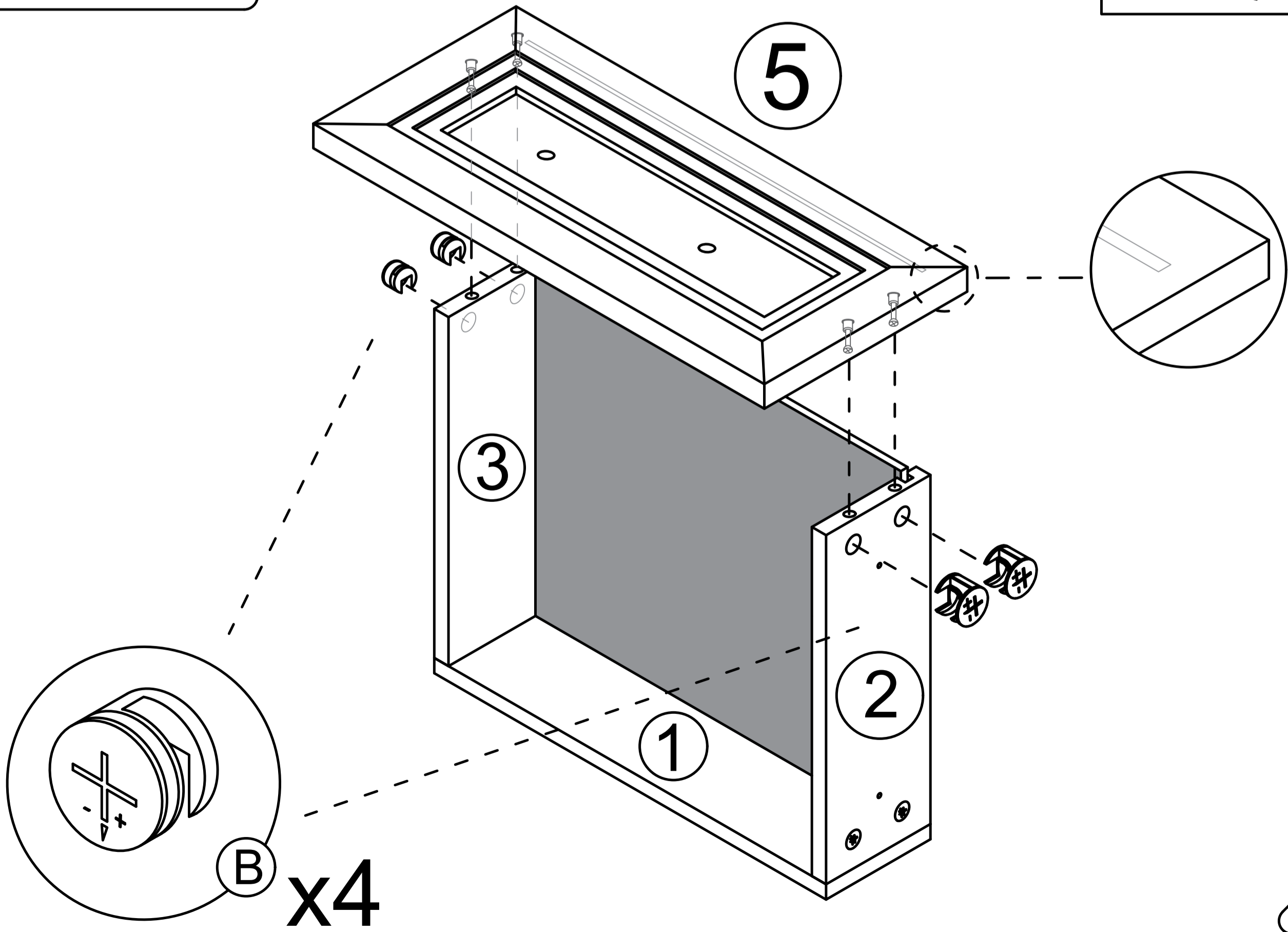
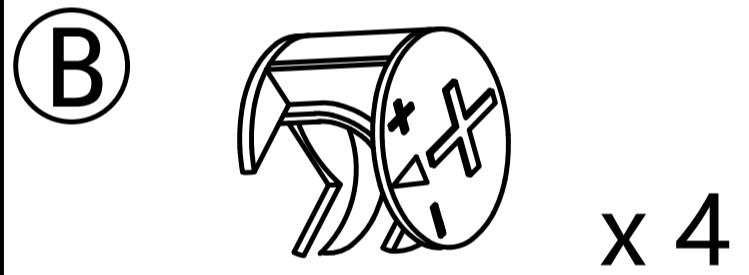
There's lint on this side



Step 4

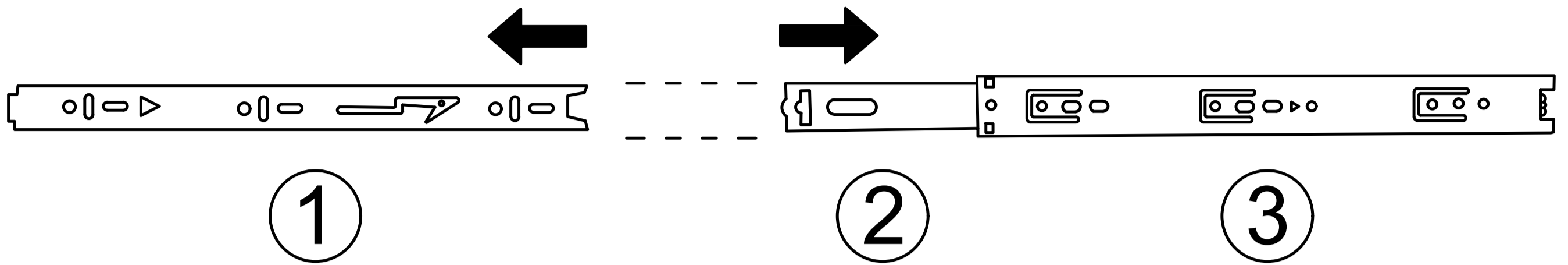


Step 5



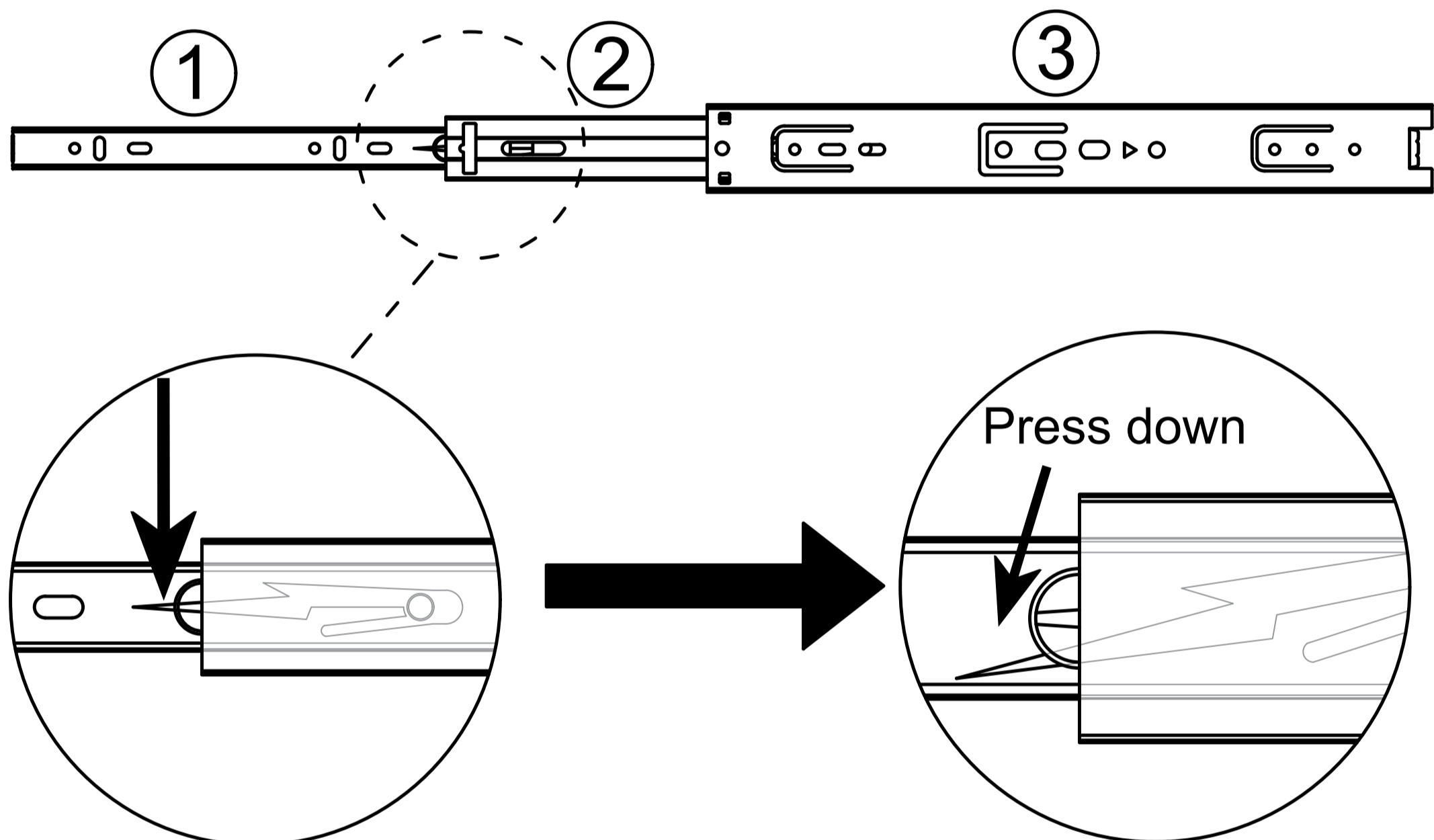
SY

Drawer rail breakdown diagram



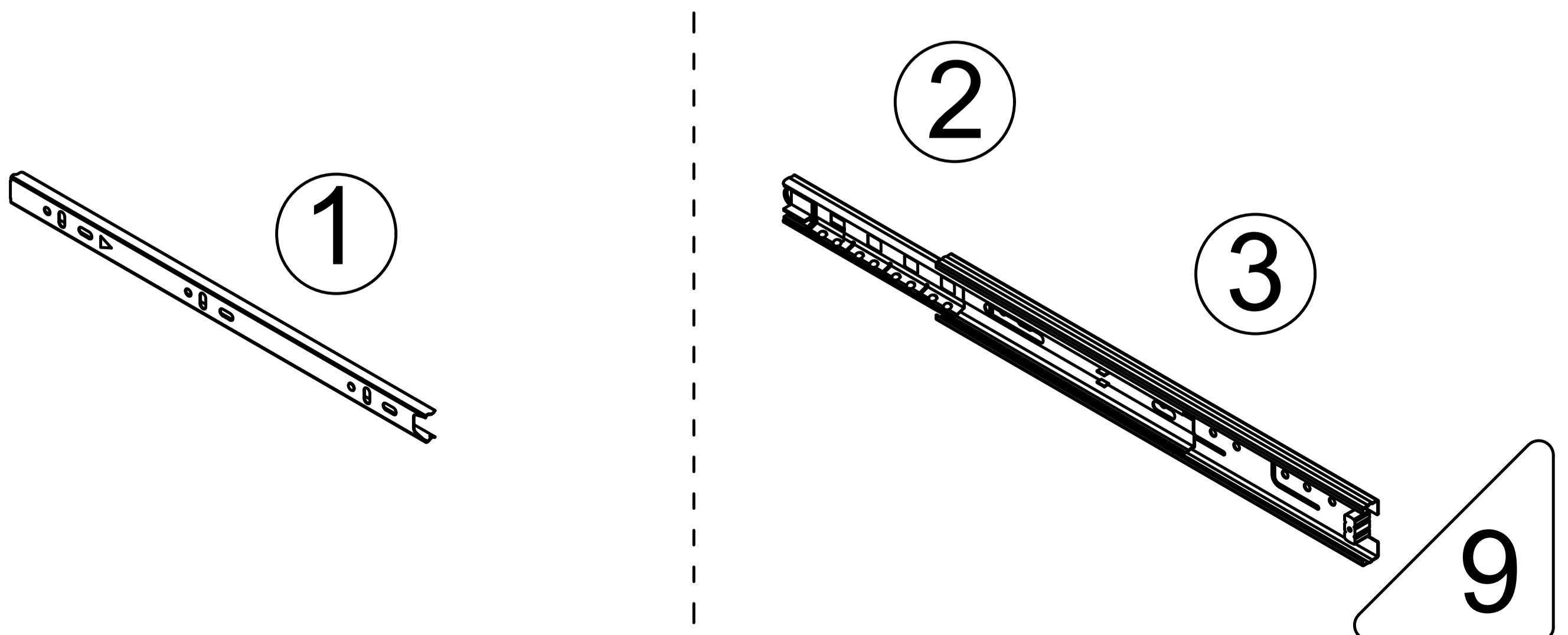
① Dismantle the schematic diagram

Step 1 : Pull the rails apart

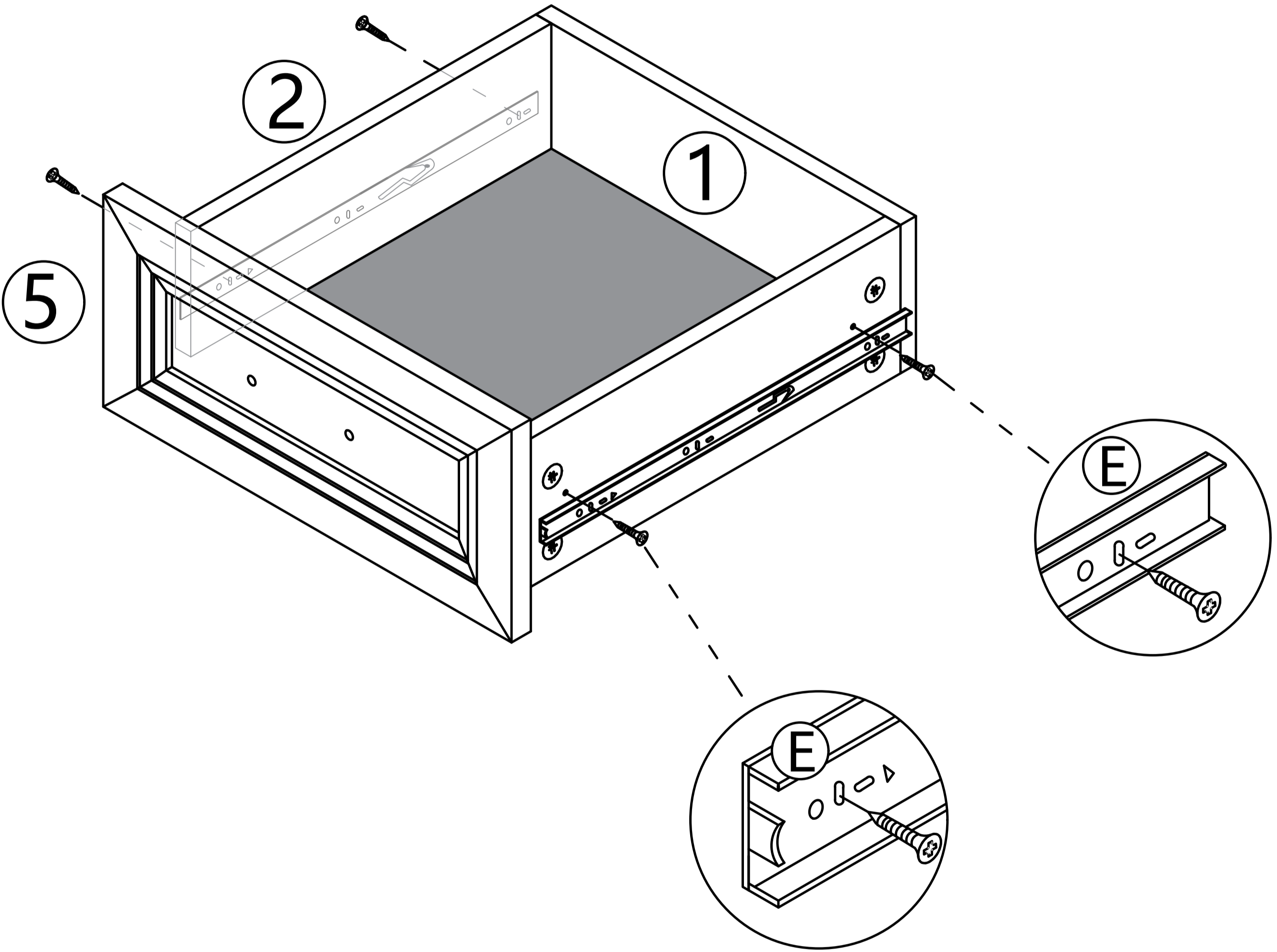
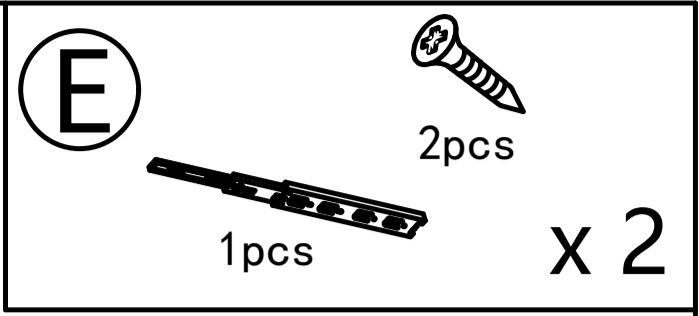
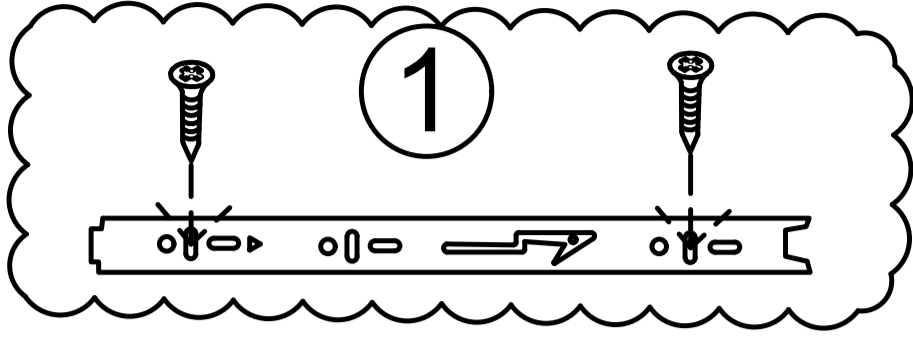


Step 2 : Press the nylon button and pull out ①.

Drawer rail decomposition completed schematic diagram



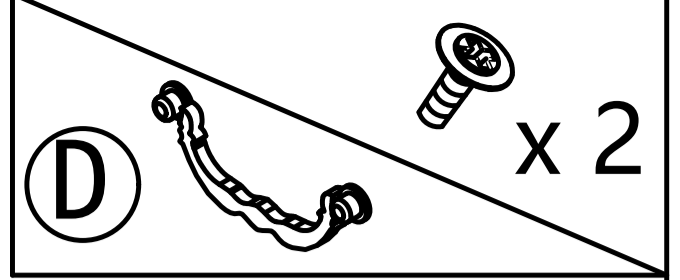
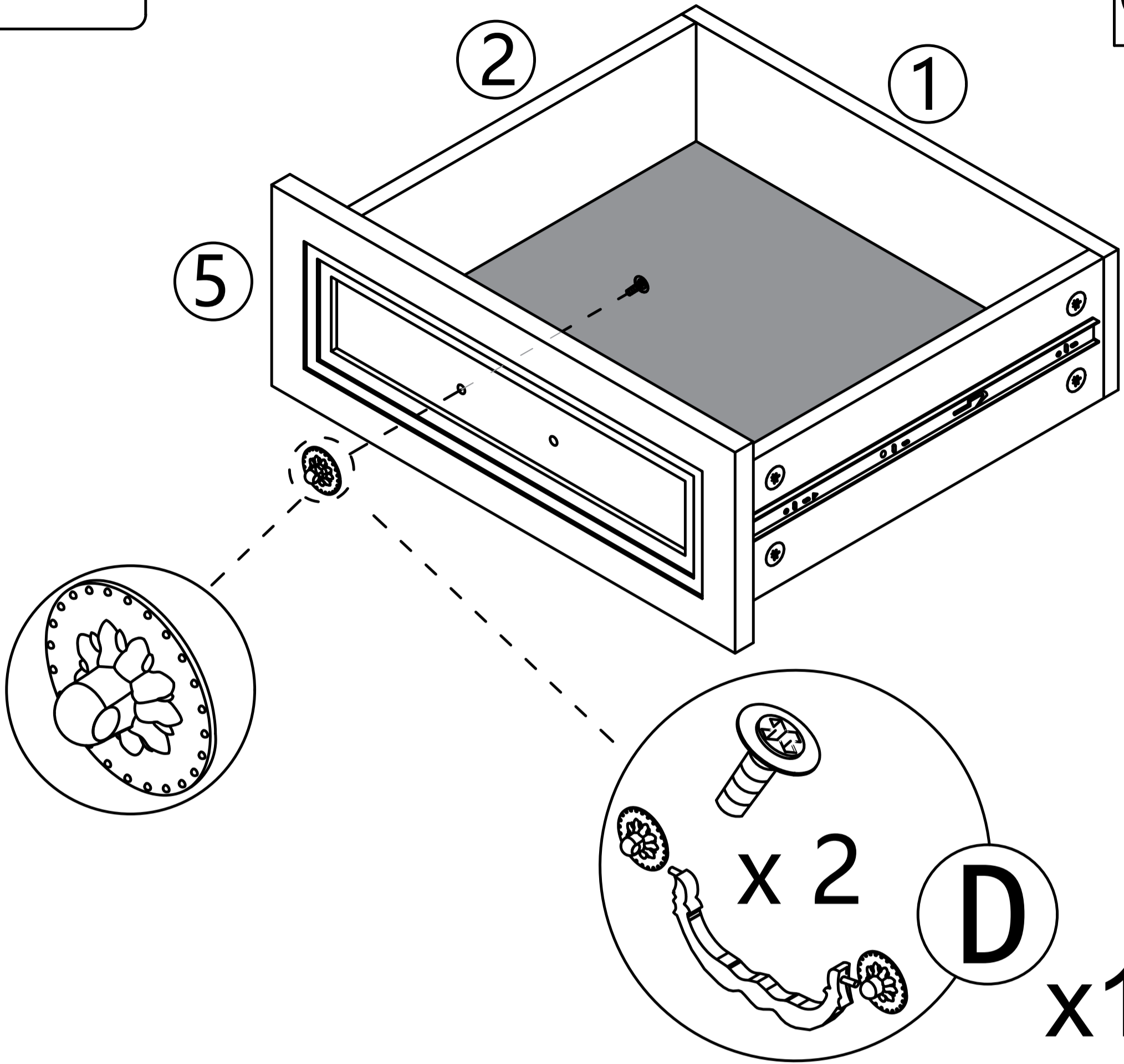
Step 6



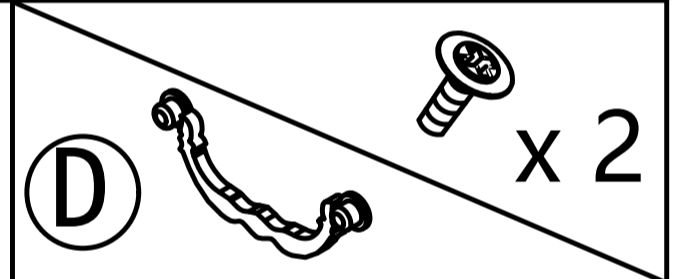
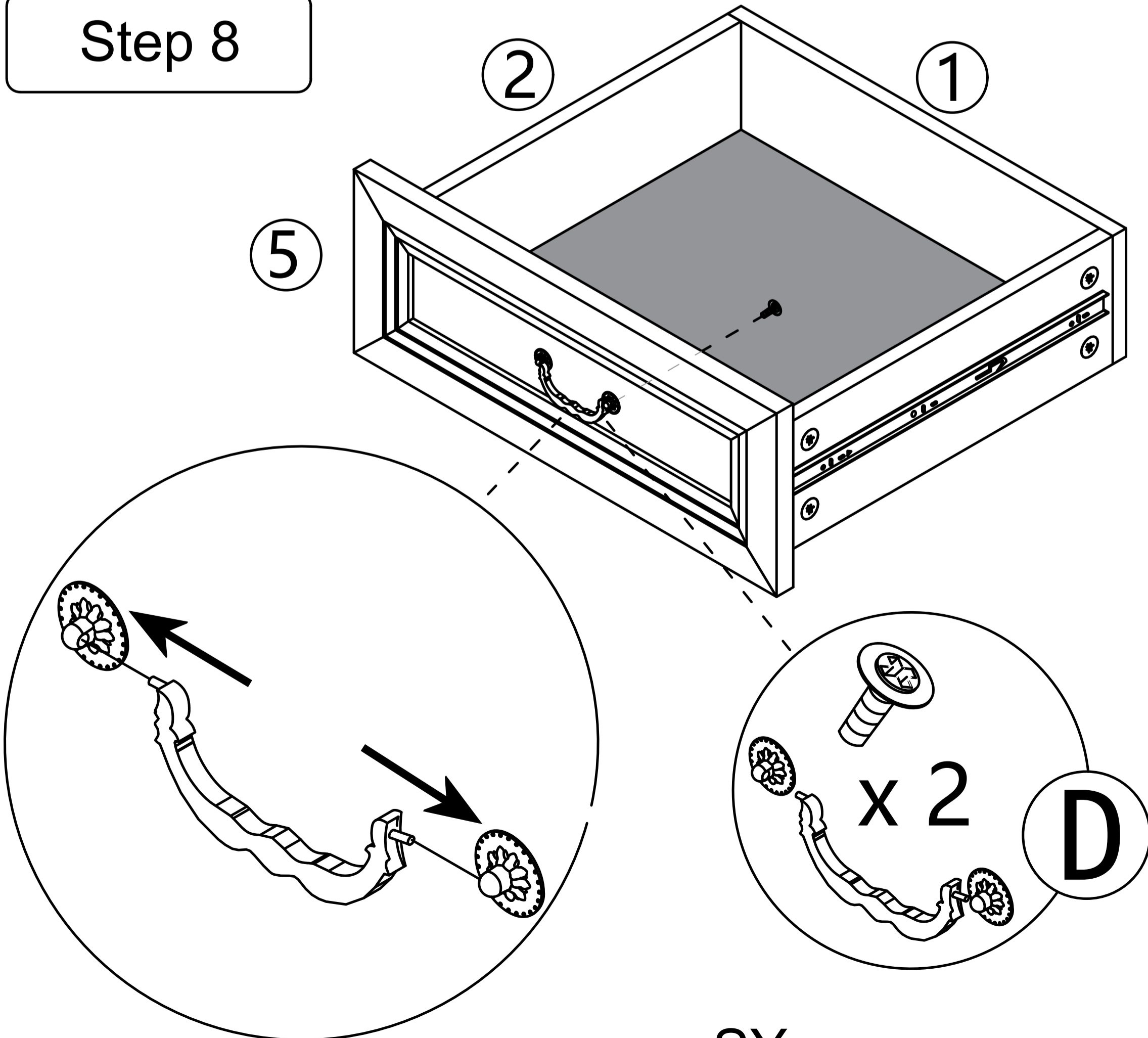
10

SY

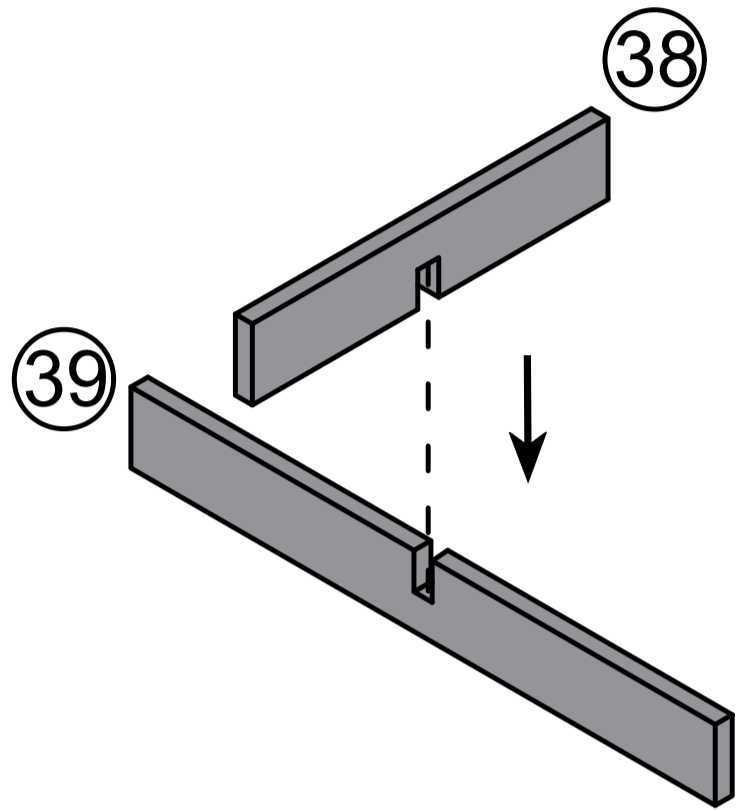
Step 7



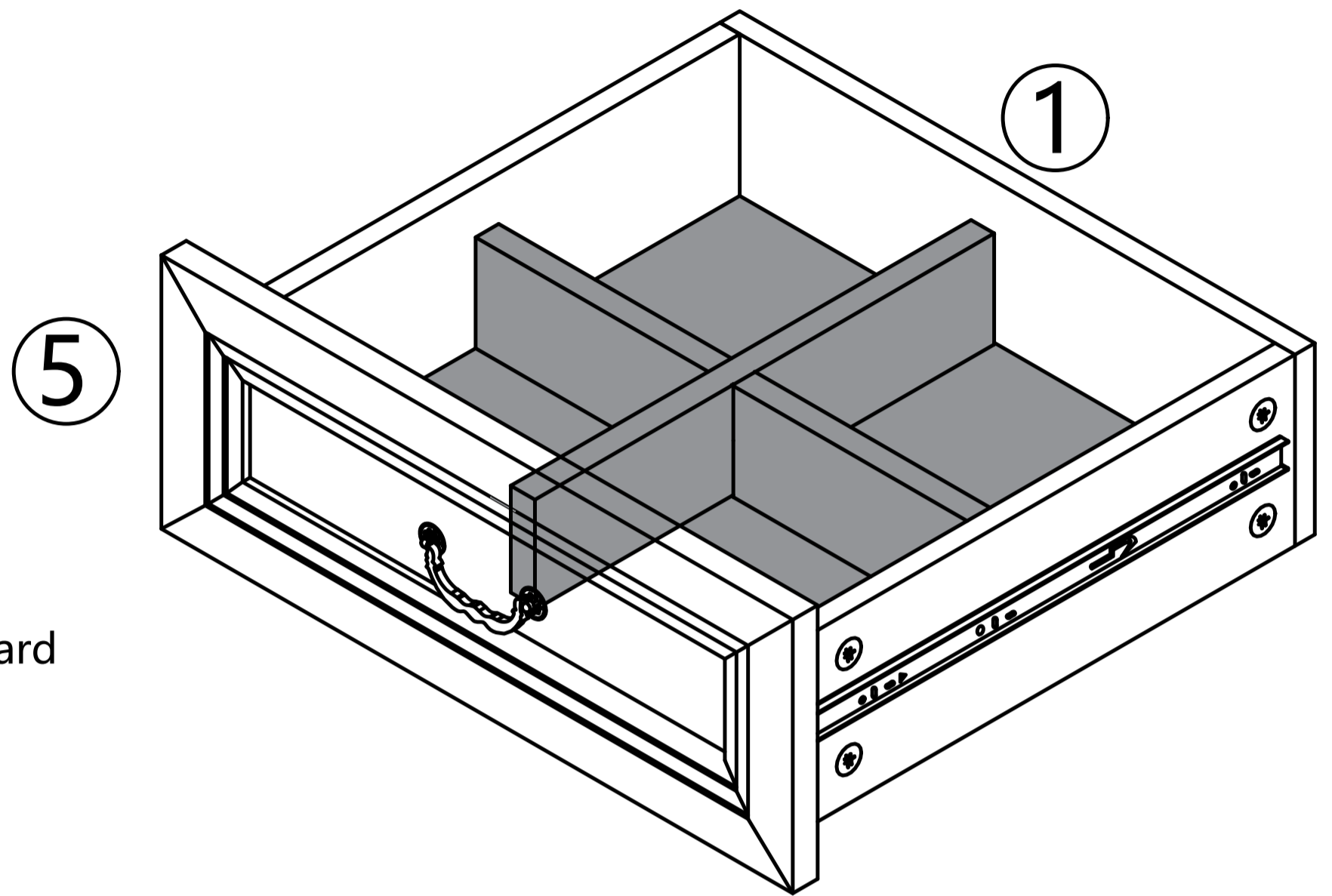
Step 8



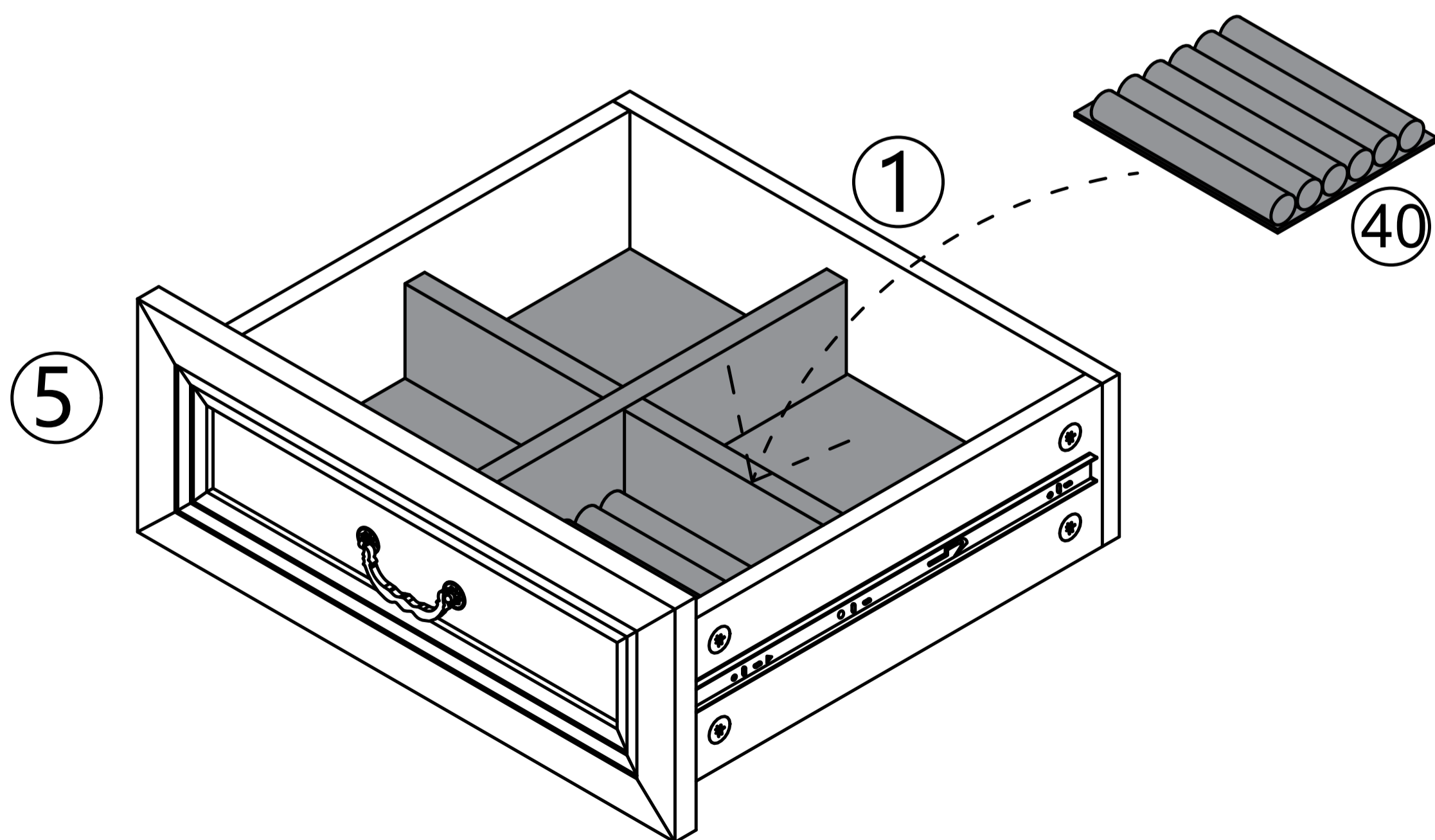
Step 9



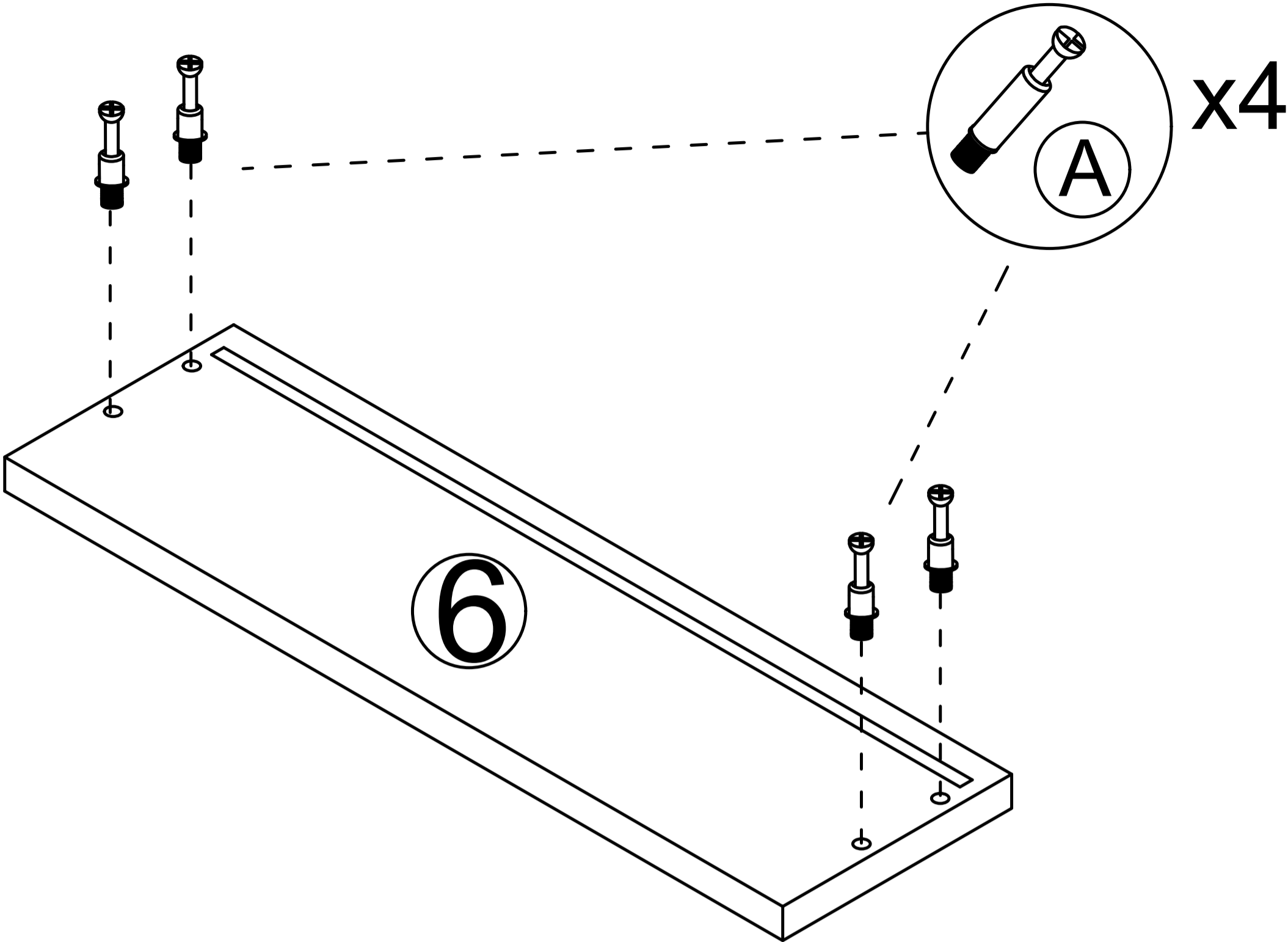
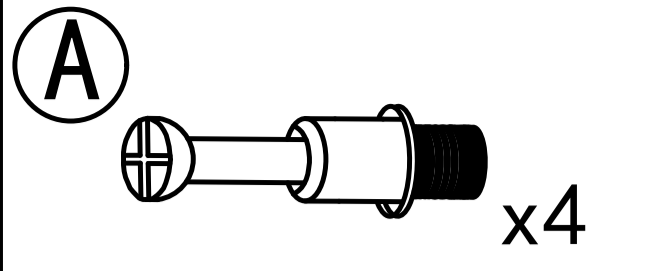
Stick the "38" board into the "39" board



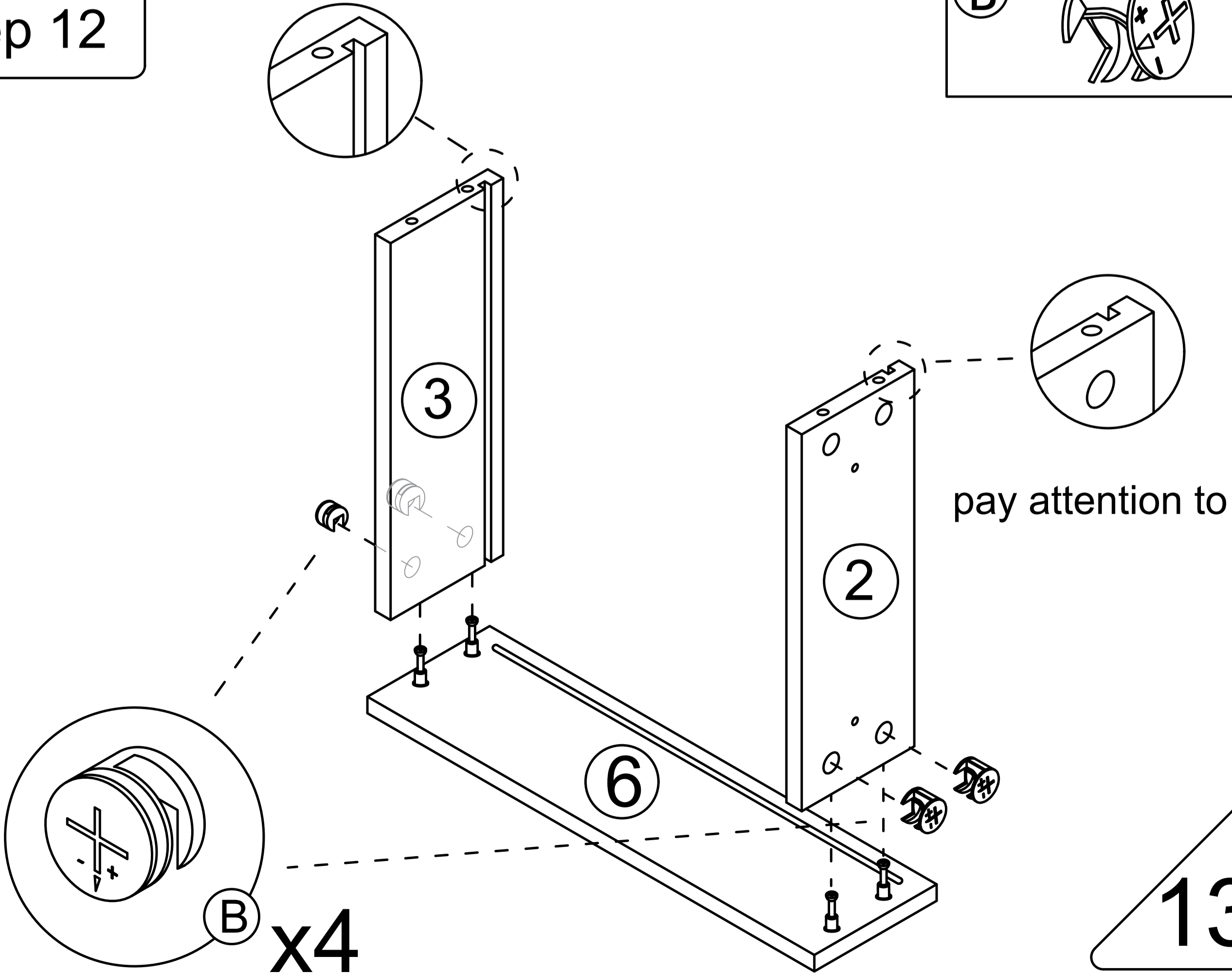
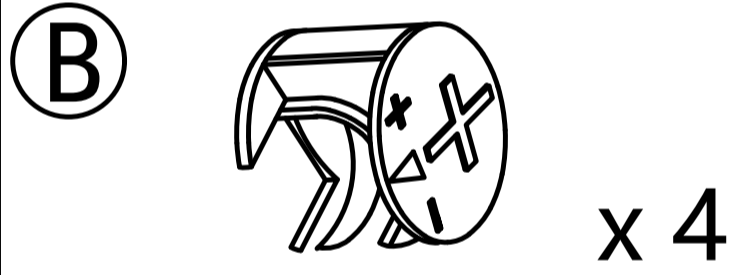
Step 10



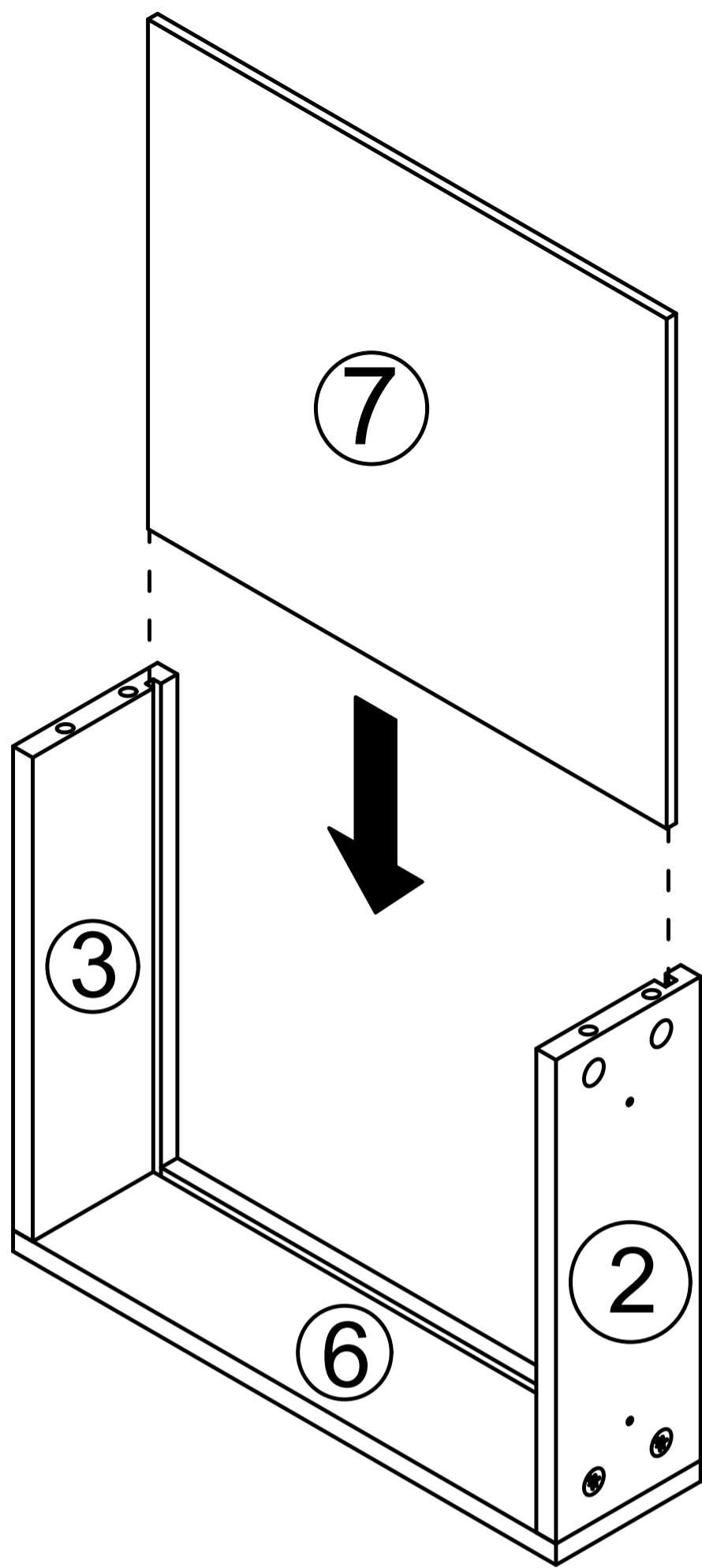
Step 11



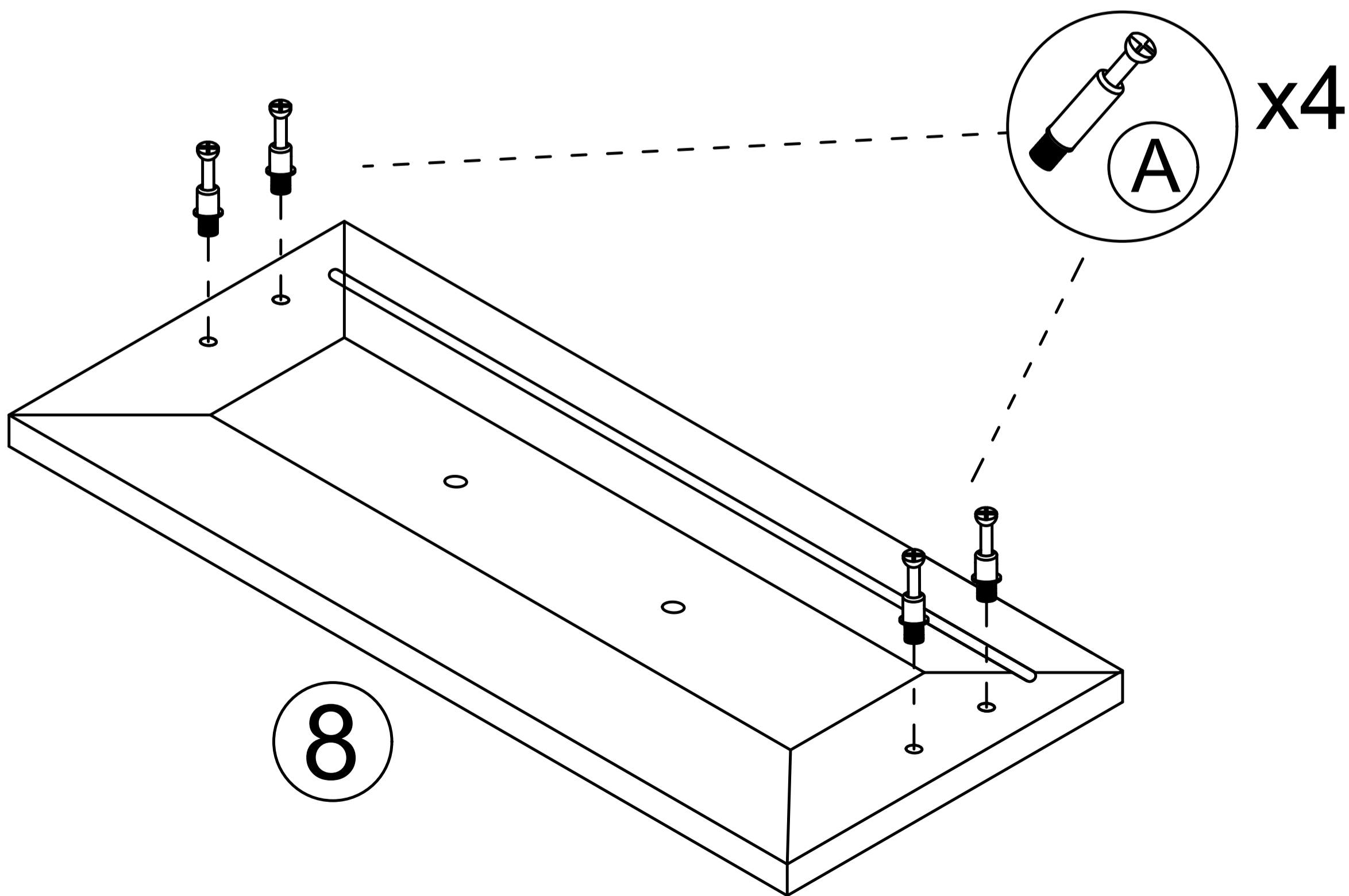
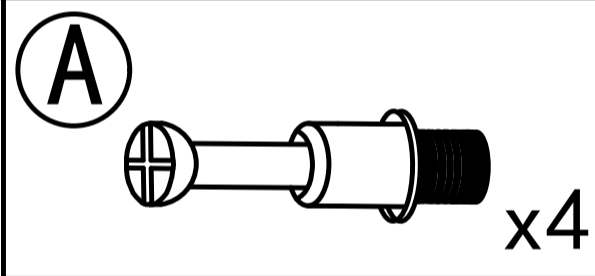
Step 12



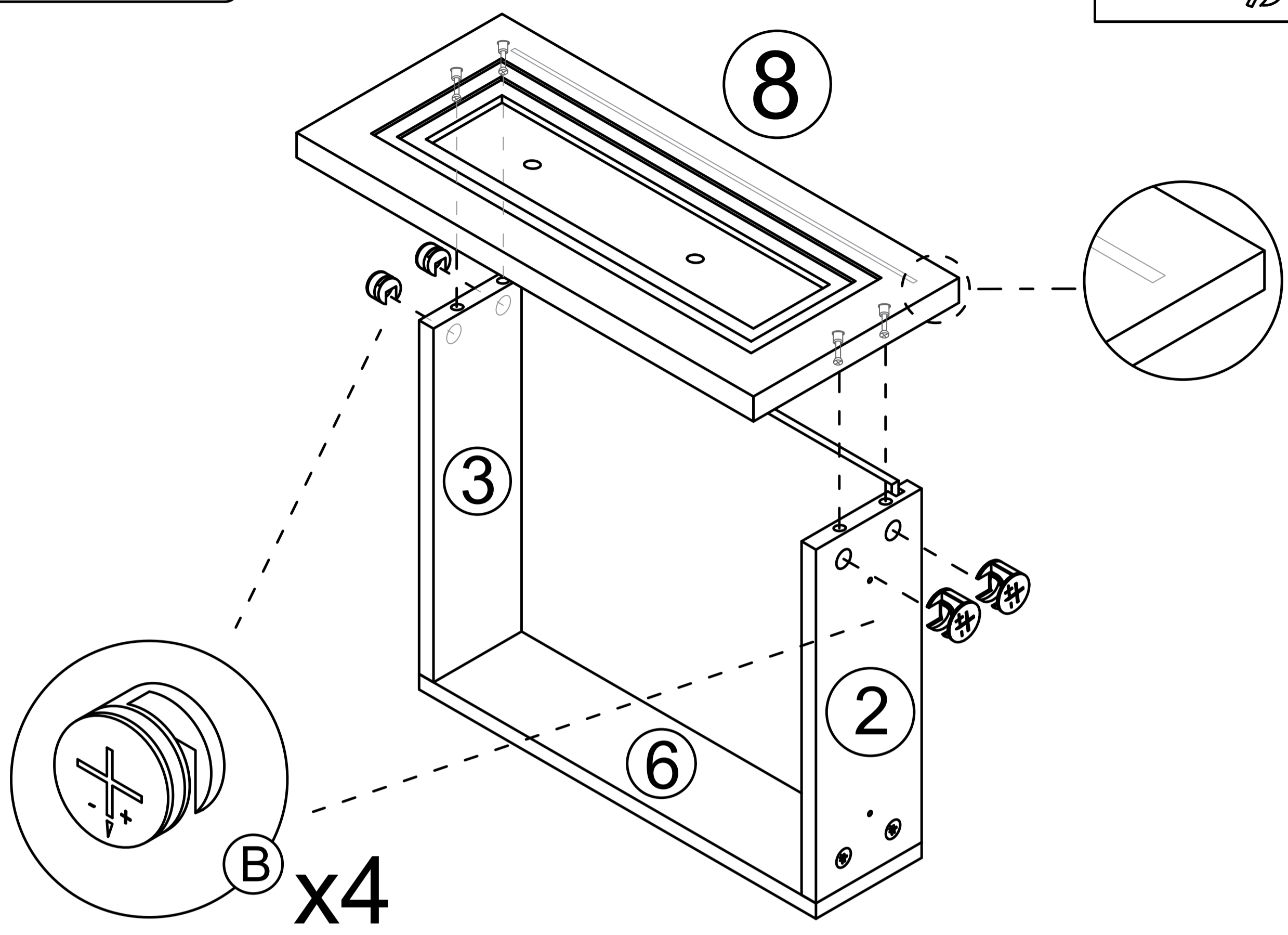
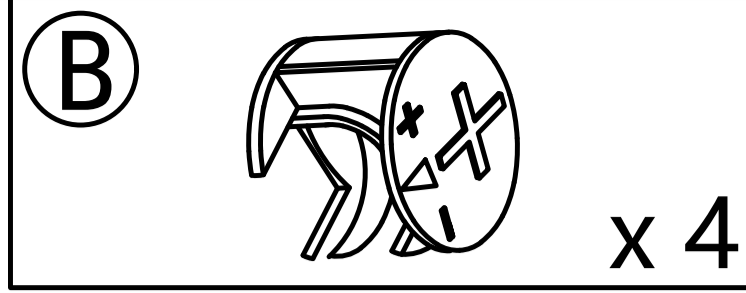
Step 13



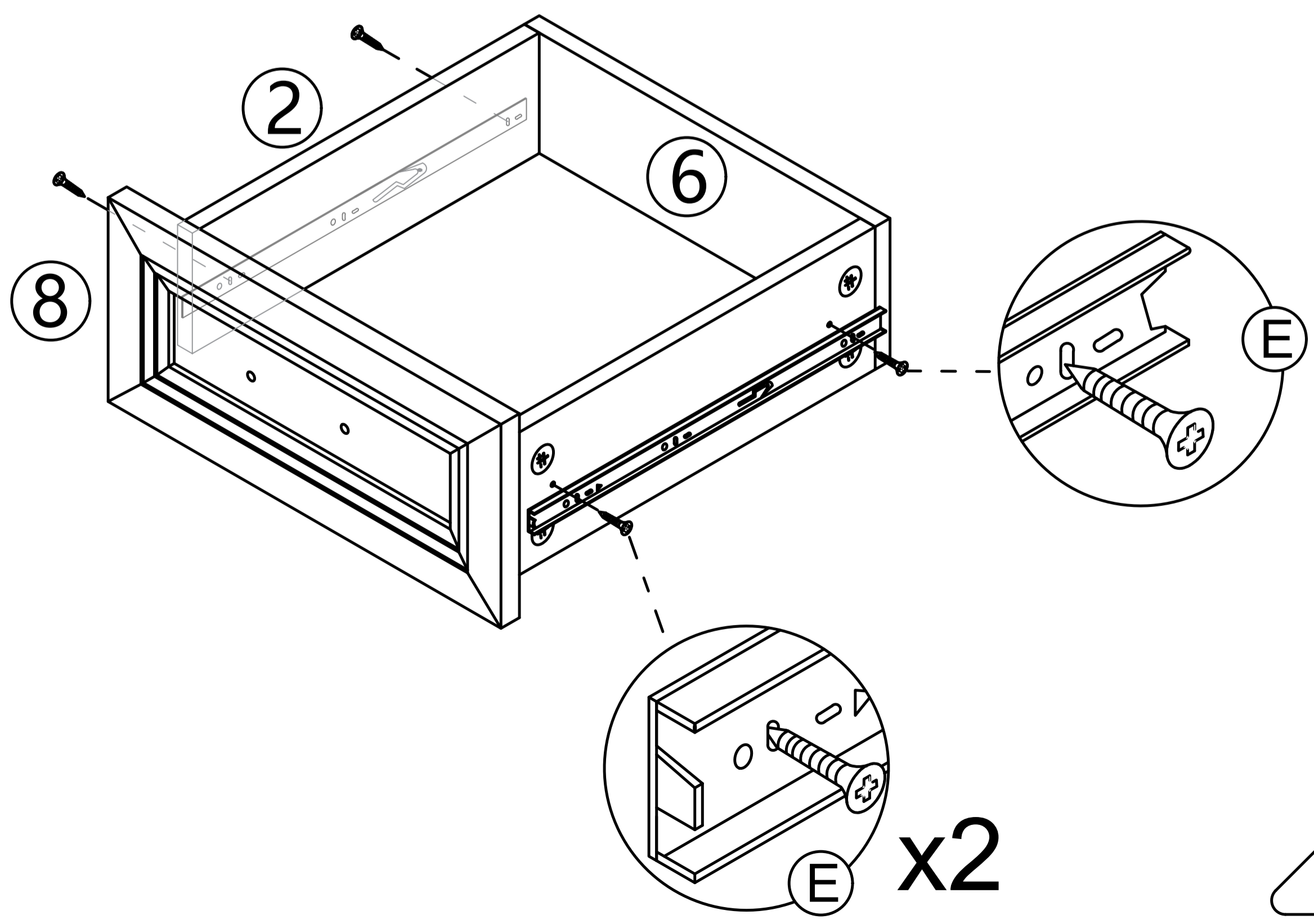
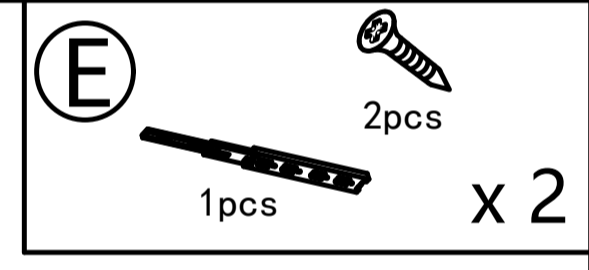
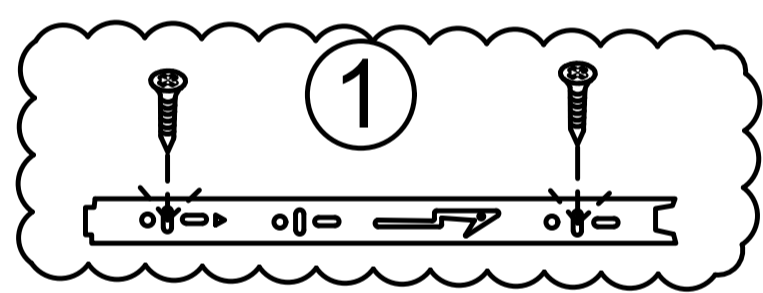
Step 14



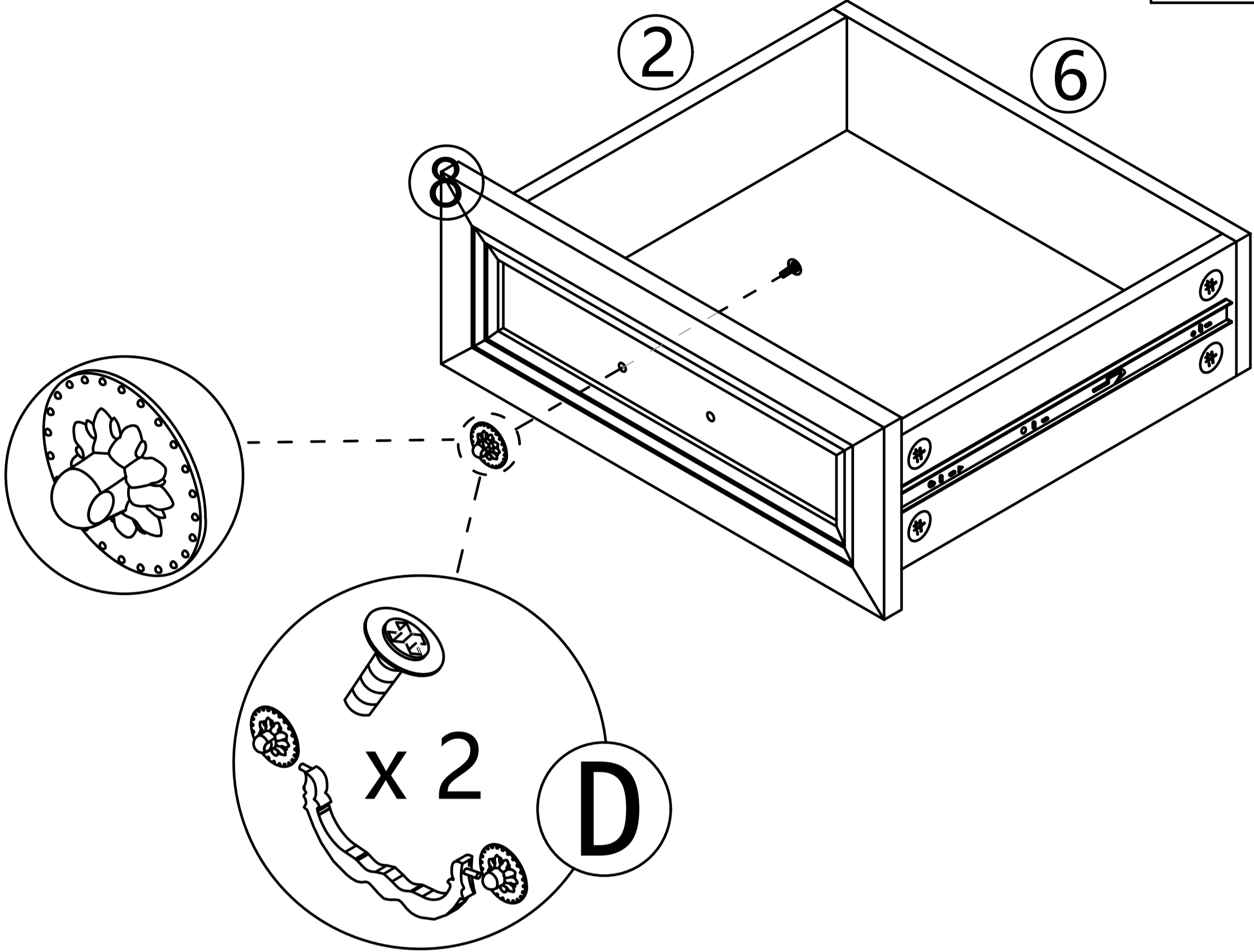
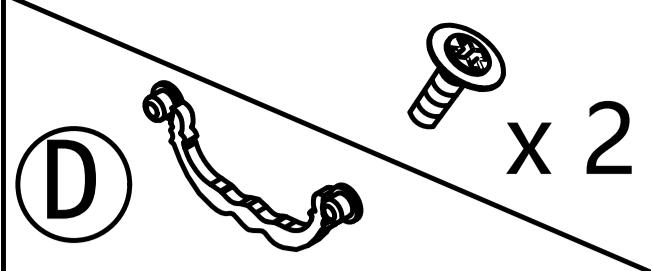
Step 15



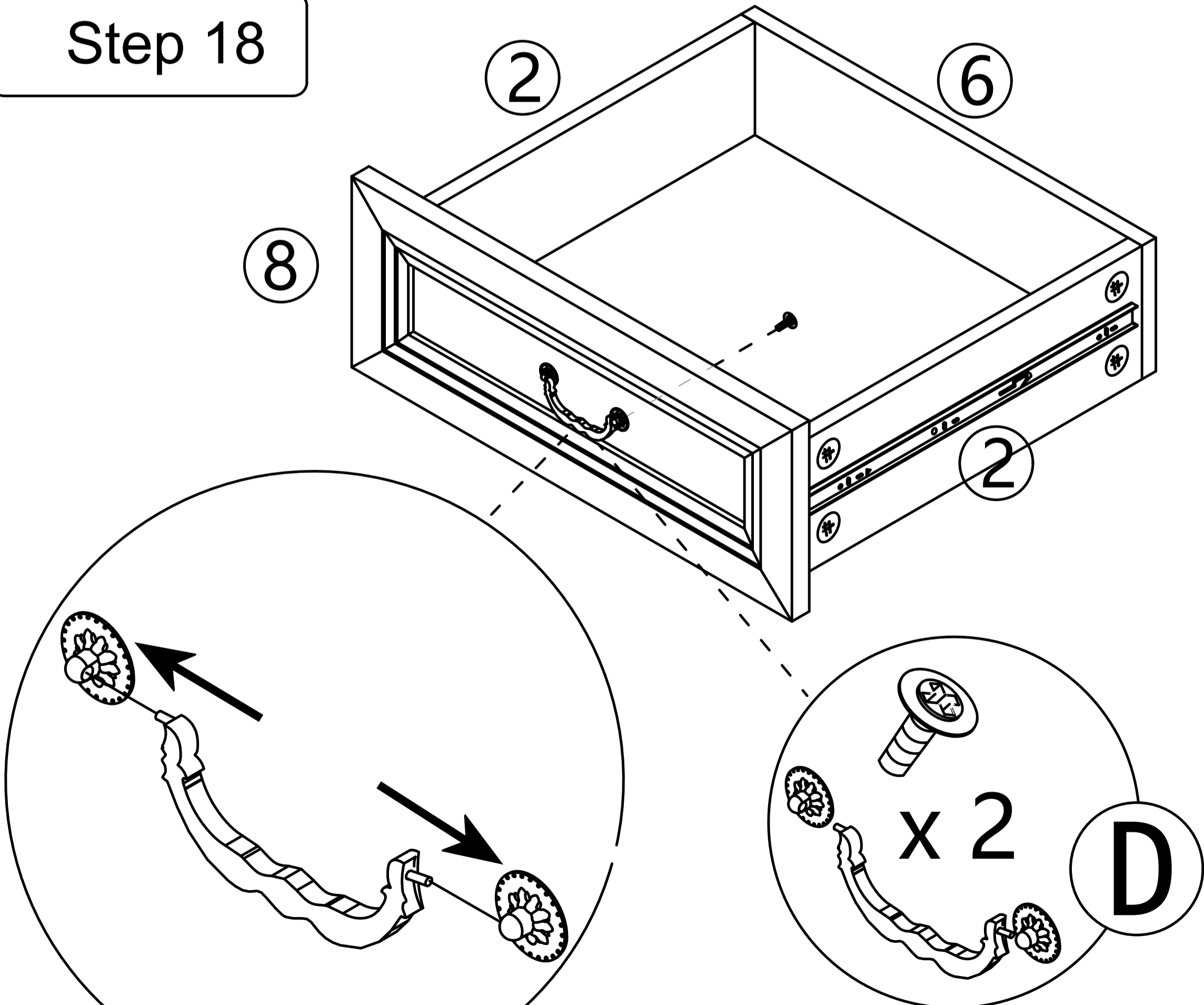
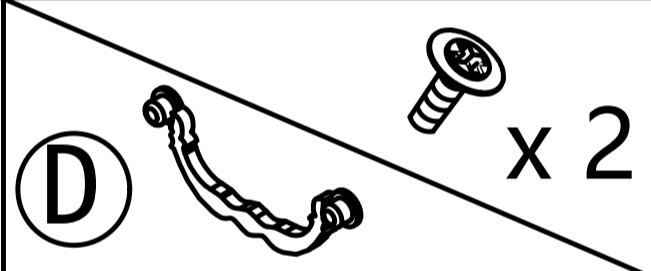
Step 16



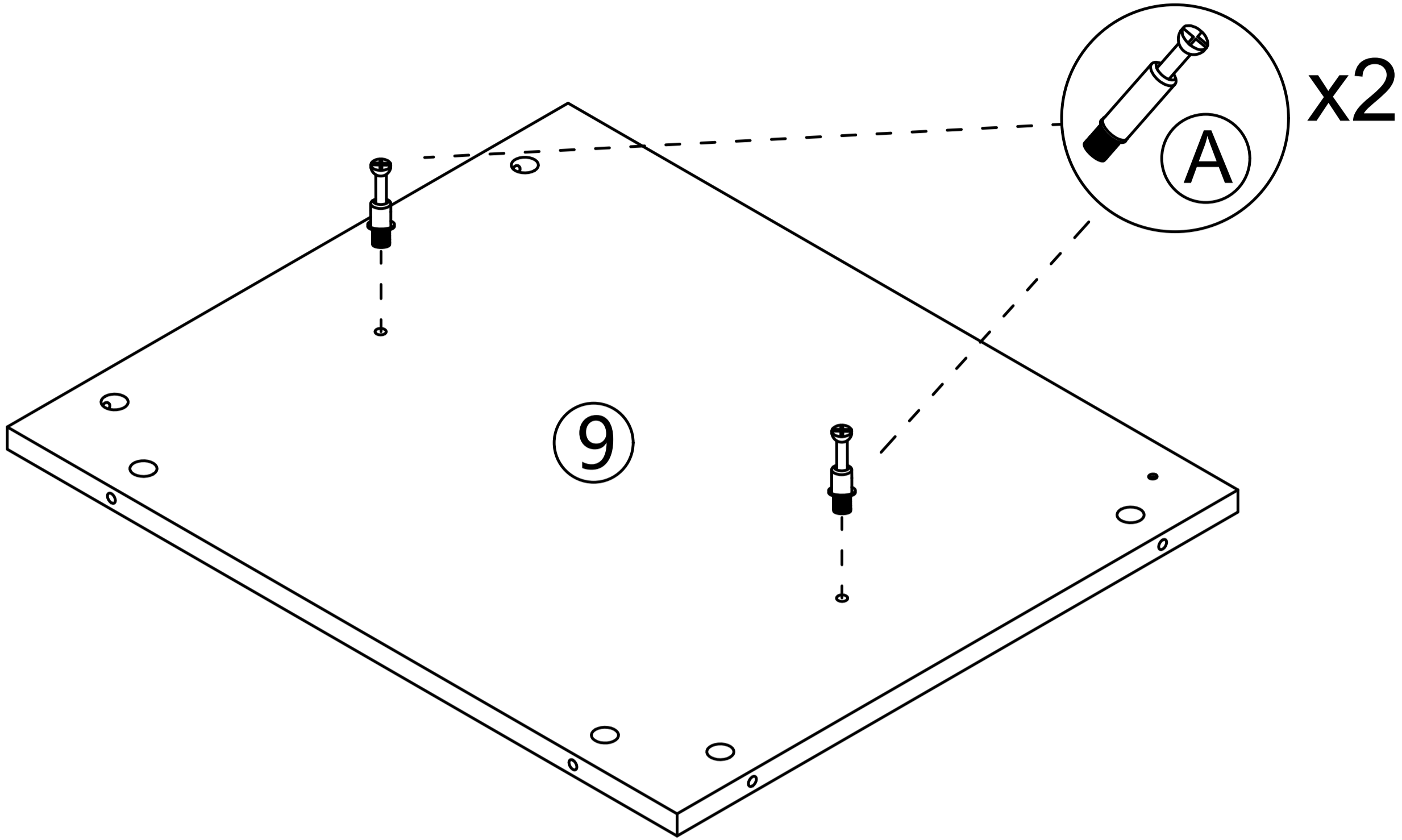
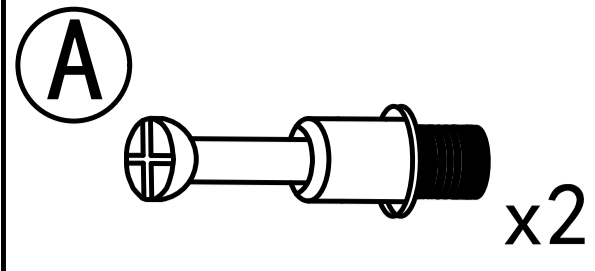
Step 17



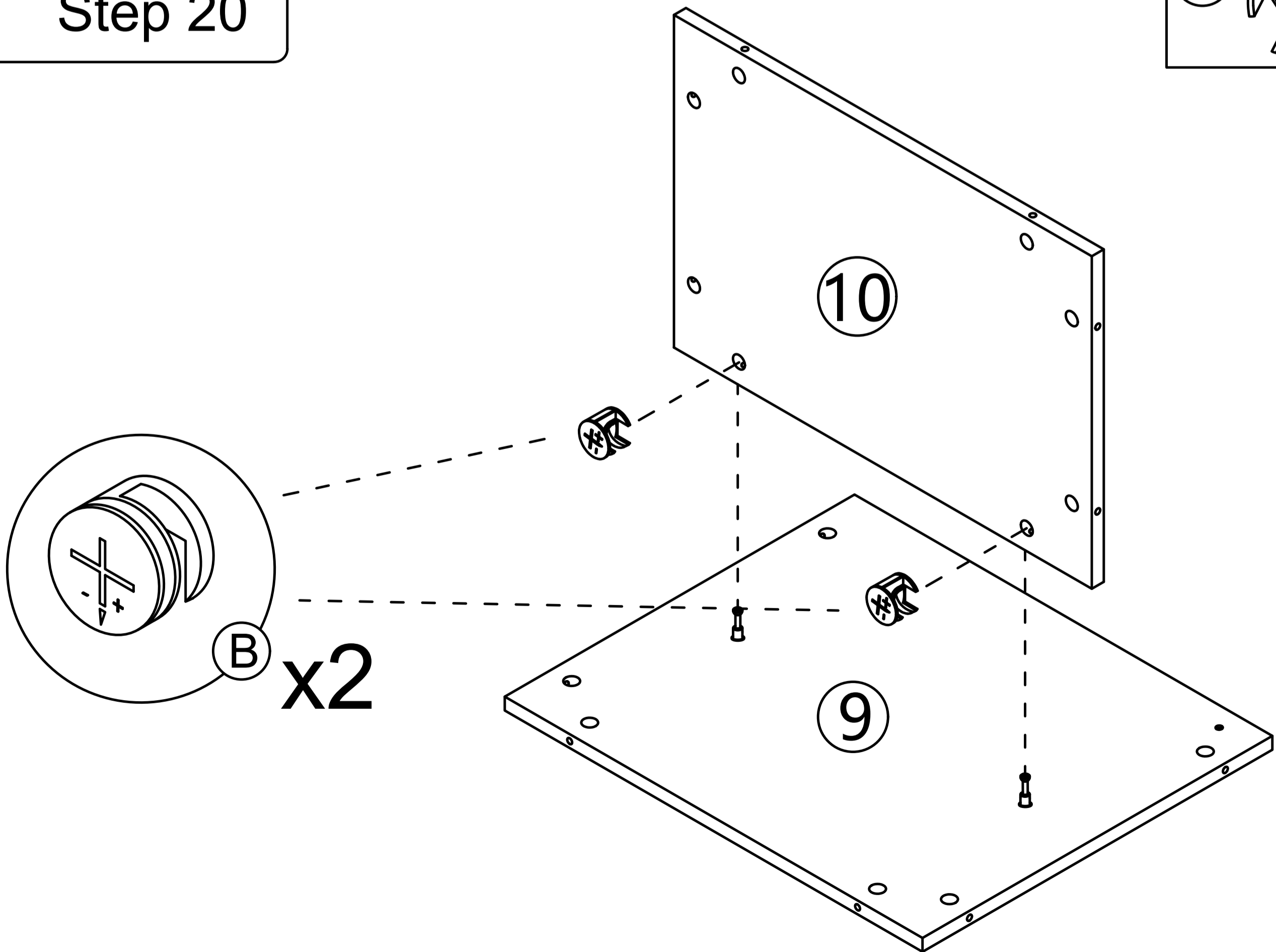
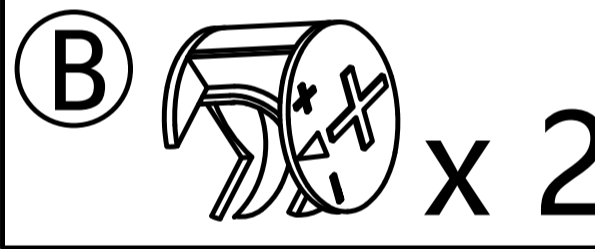
Step 18



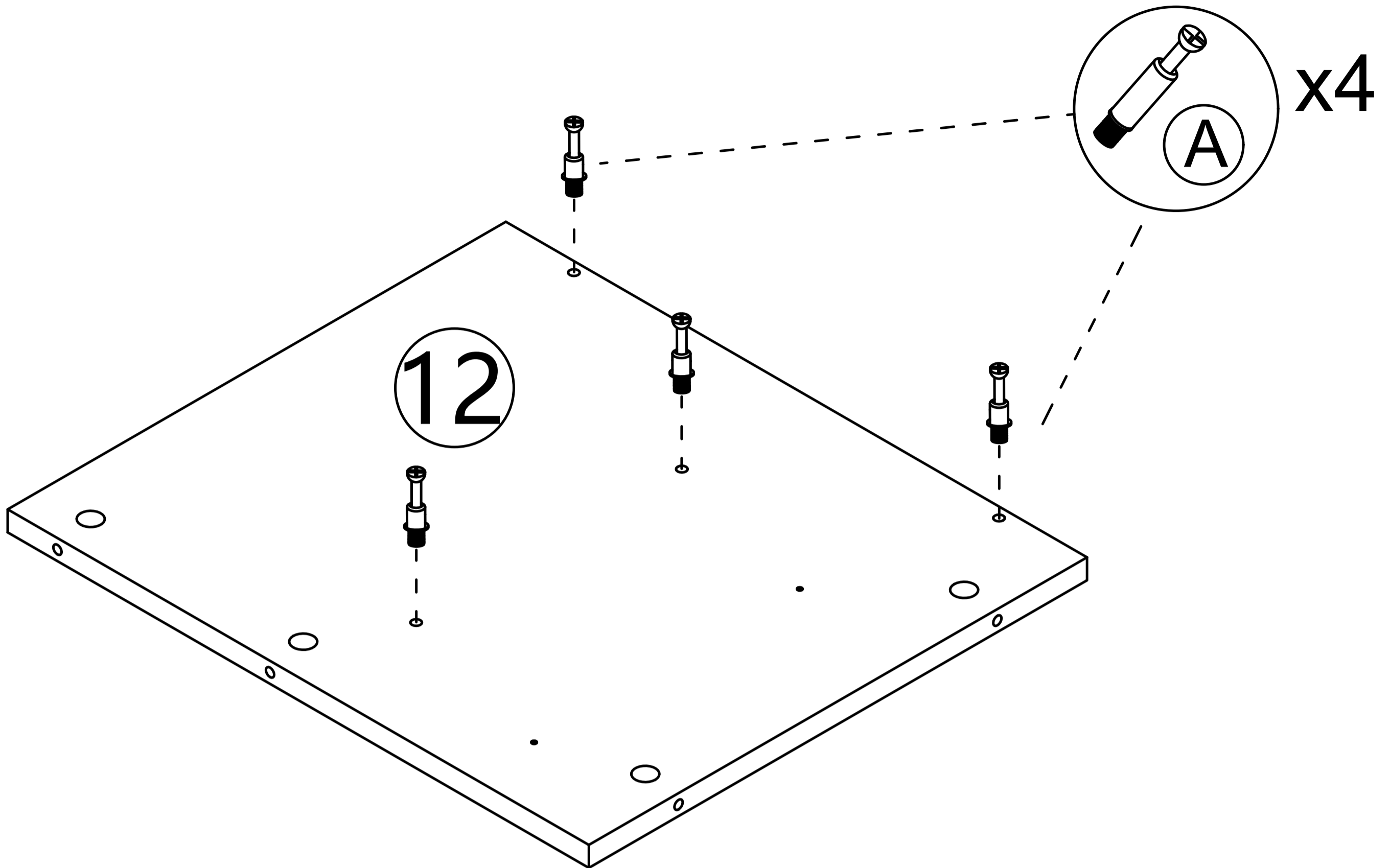
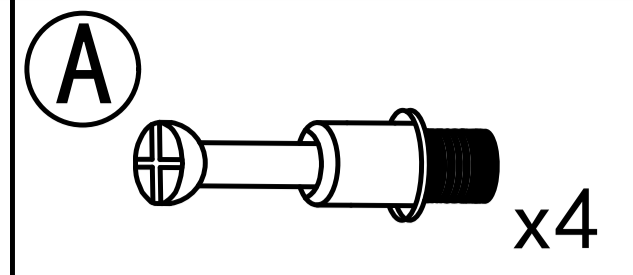
Step 19



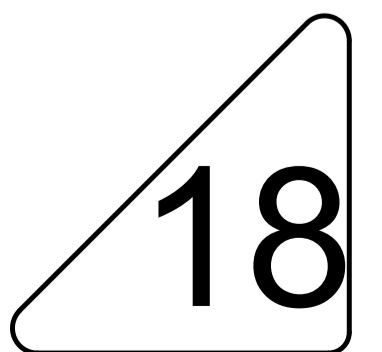
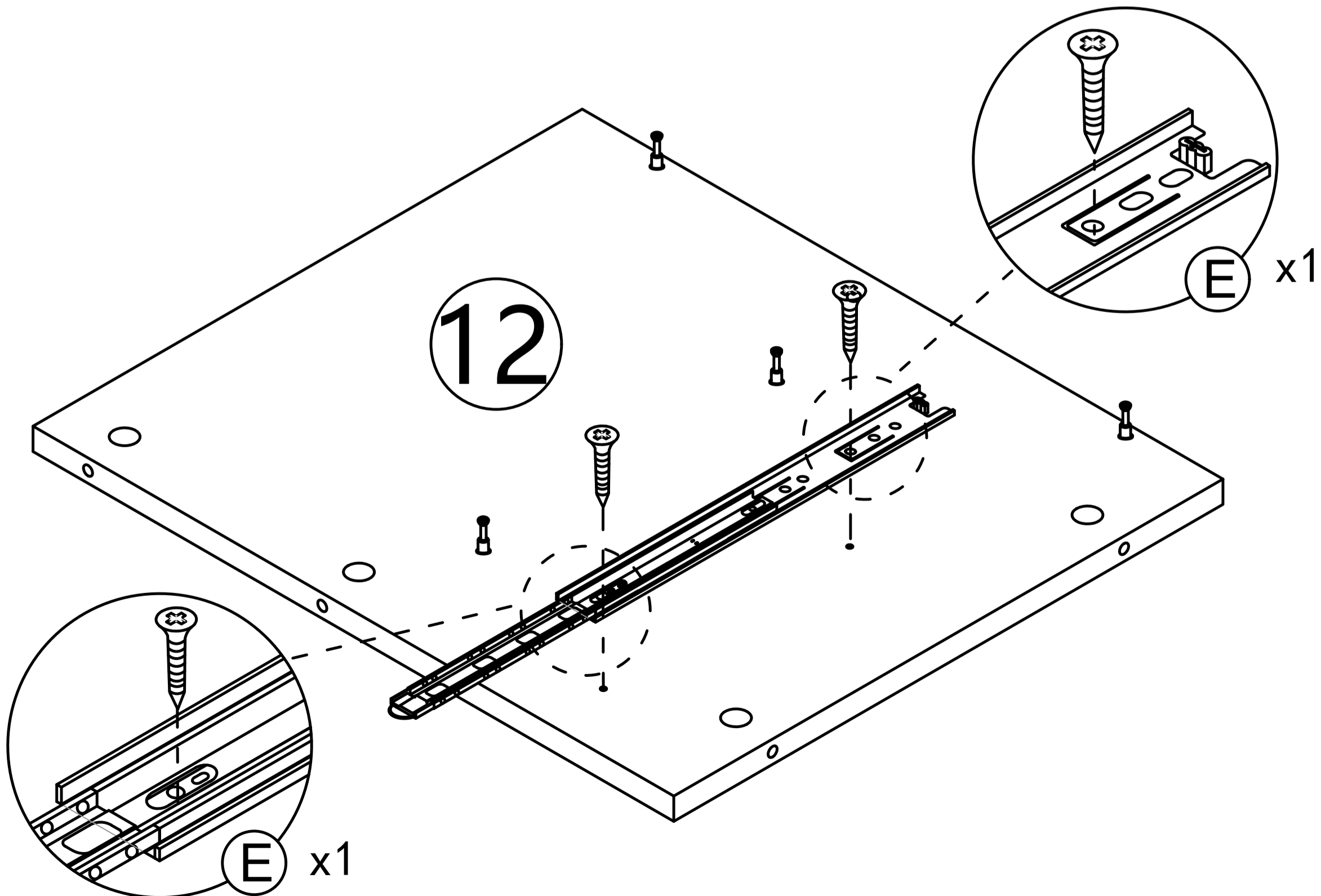
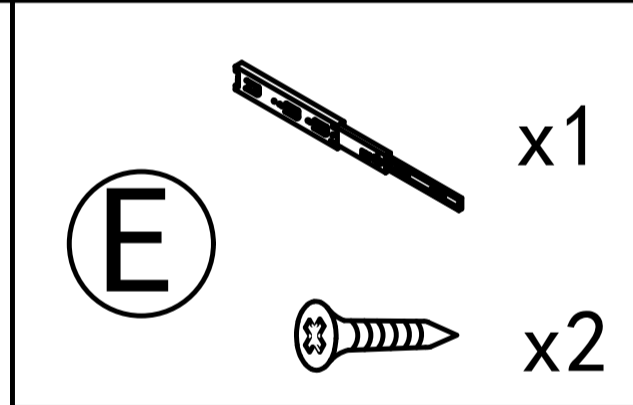
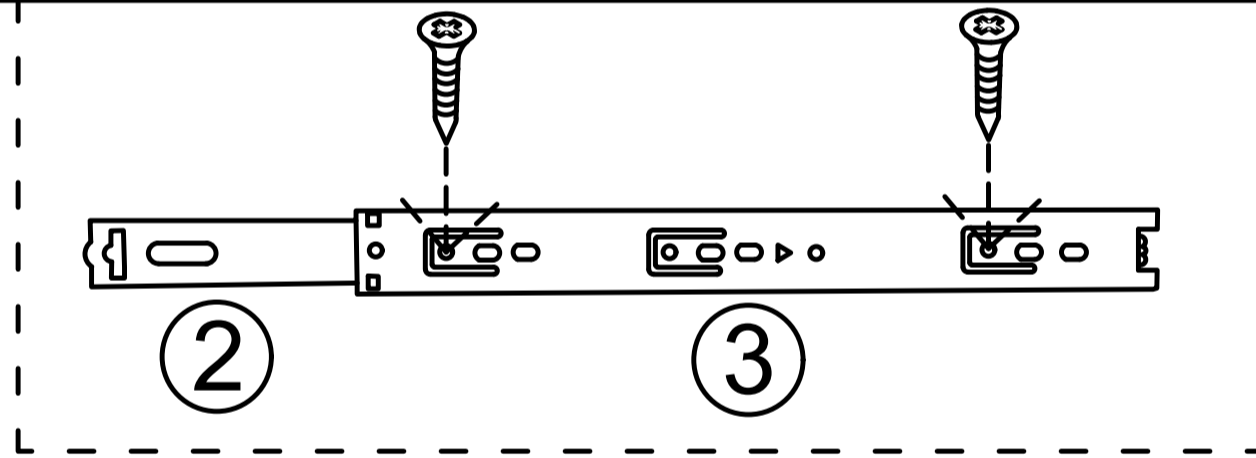
Step 20



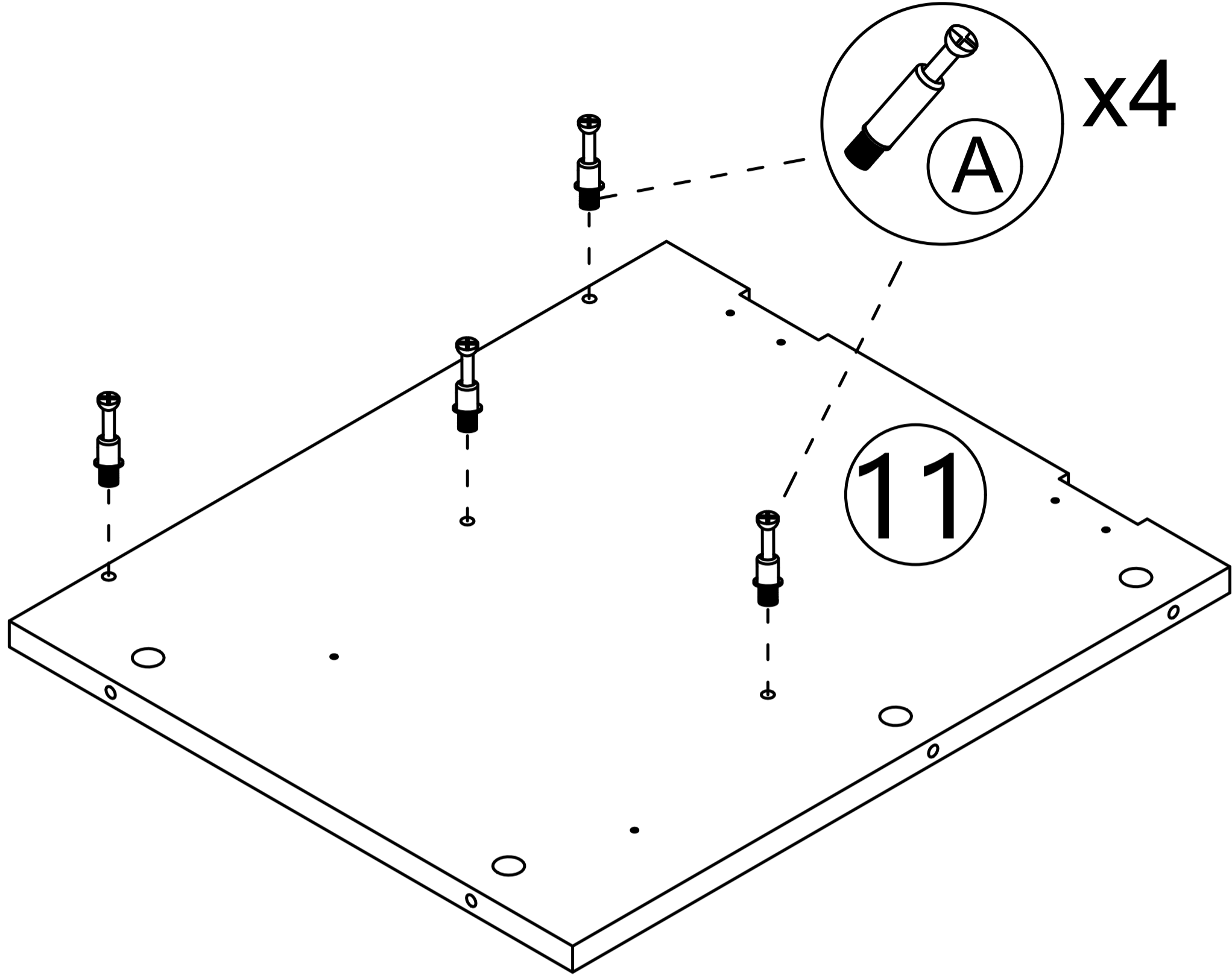
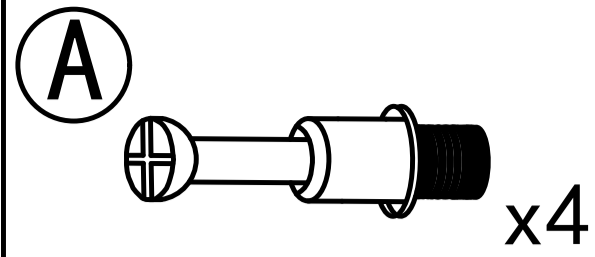
Step 21



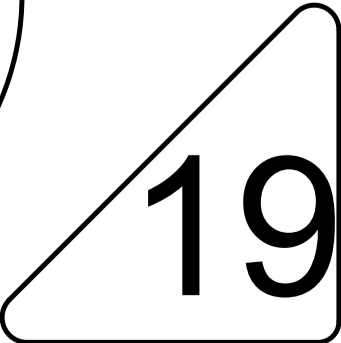
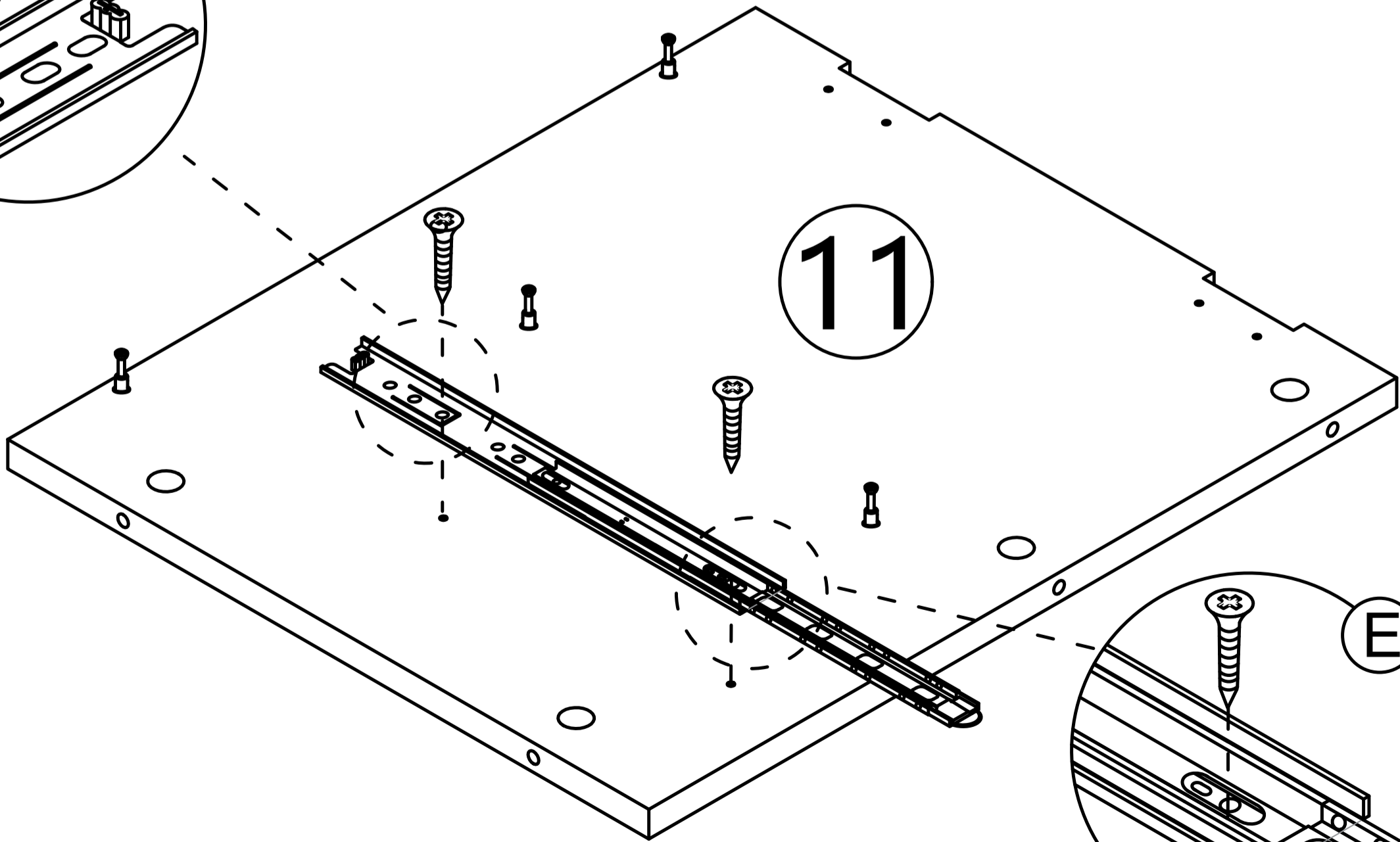
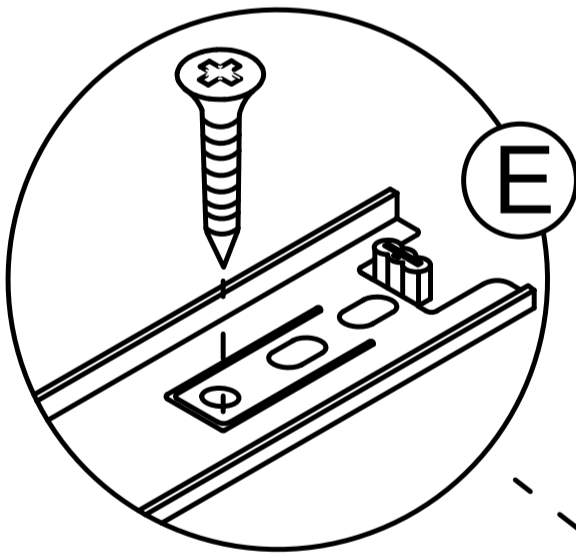
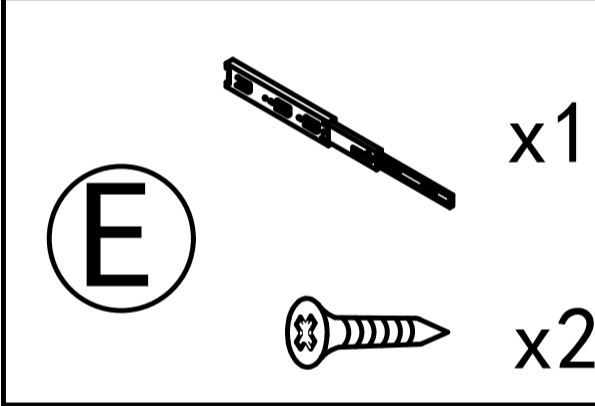
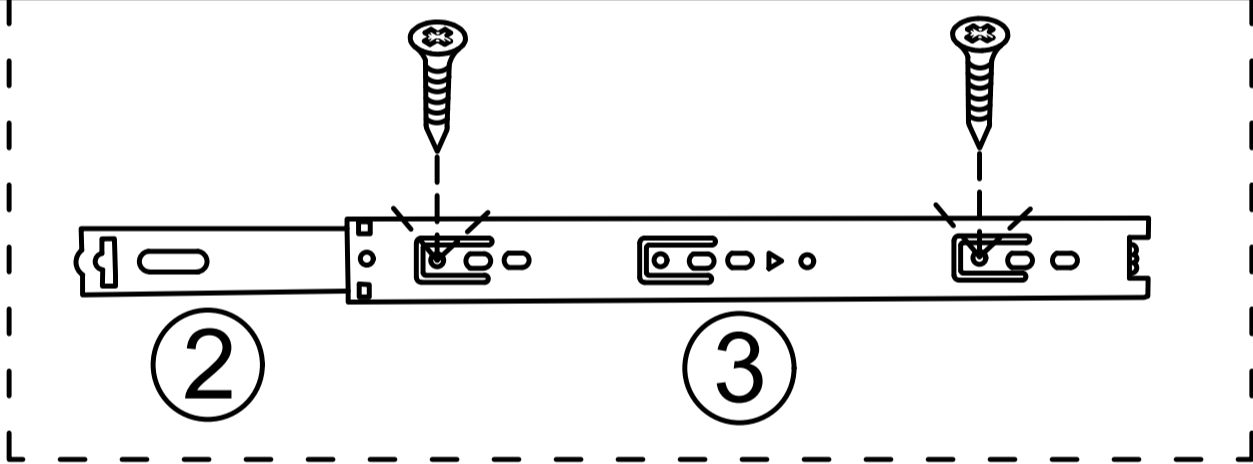
Step 22



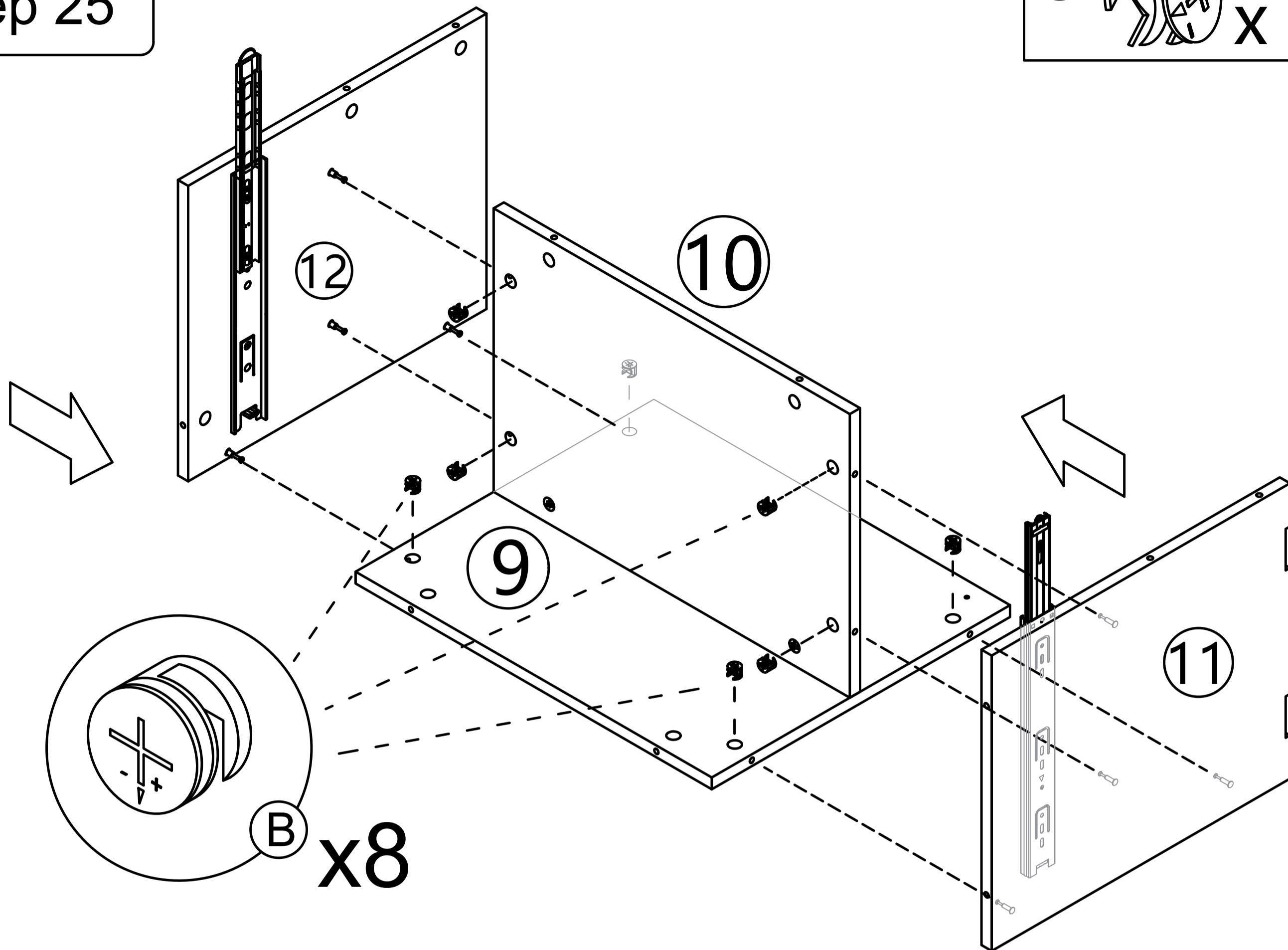
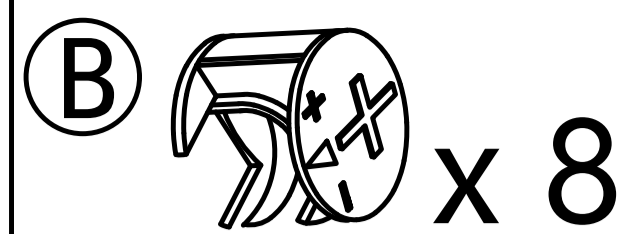
Step 23



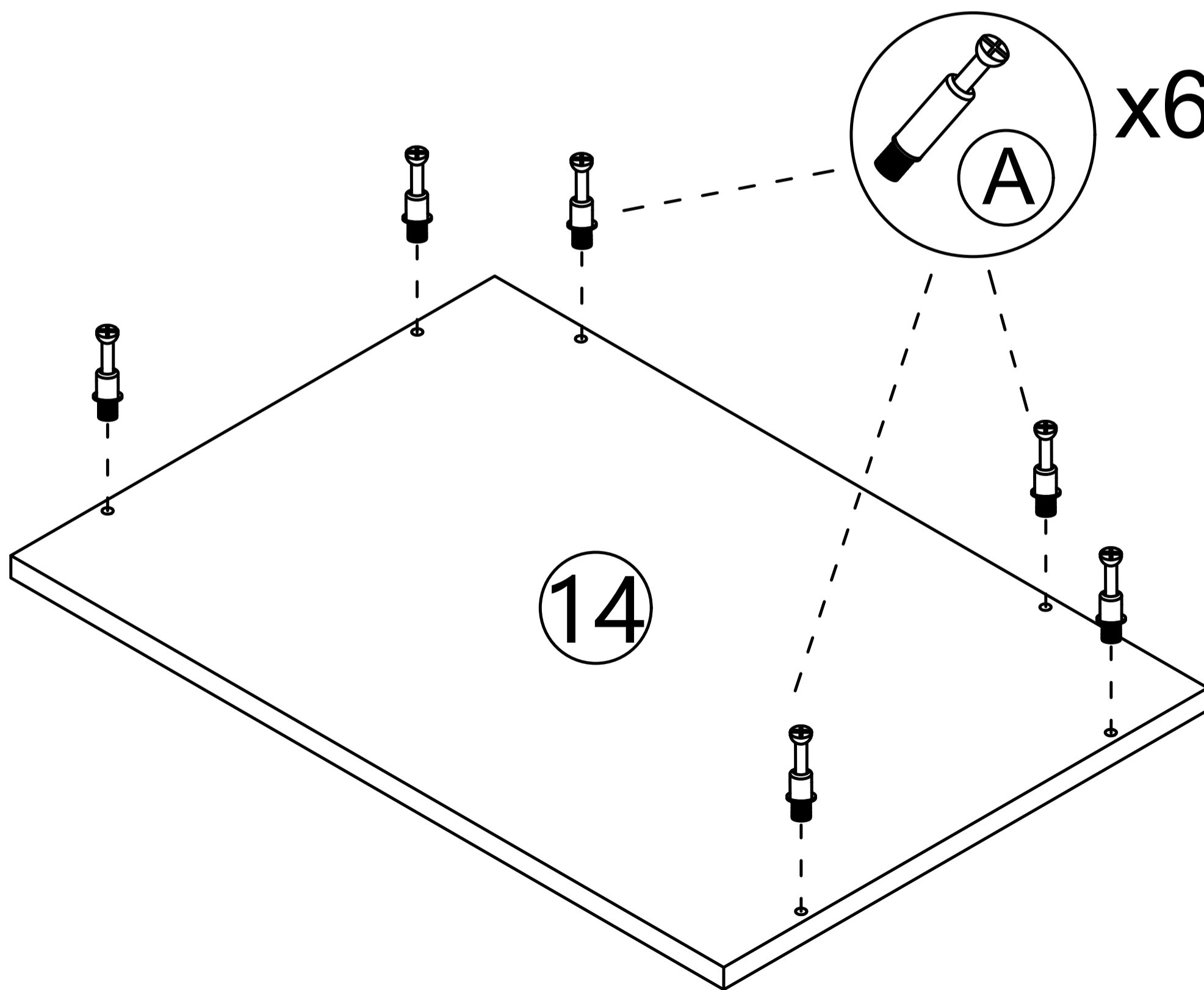
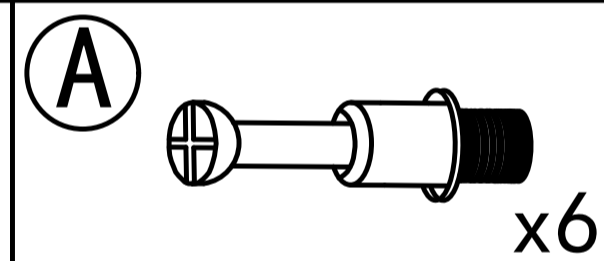
Step 24




Step 25

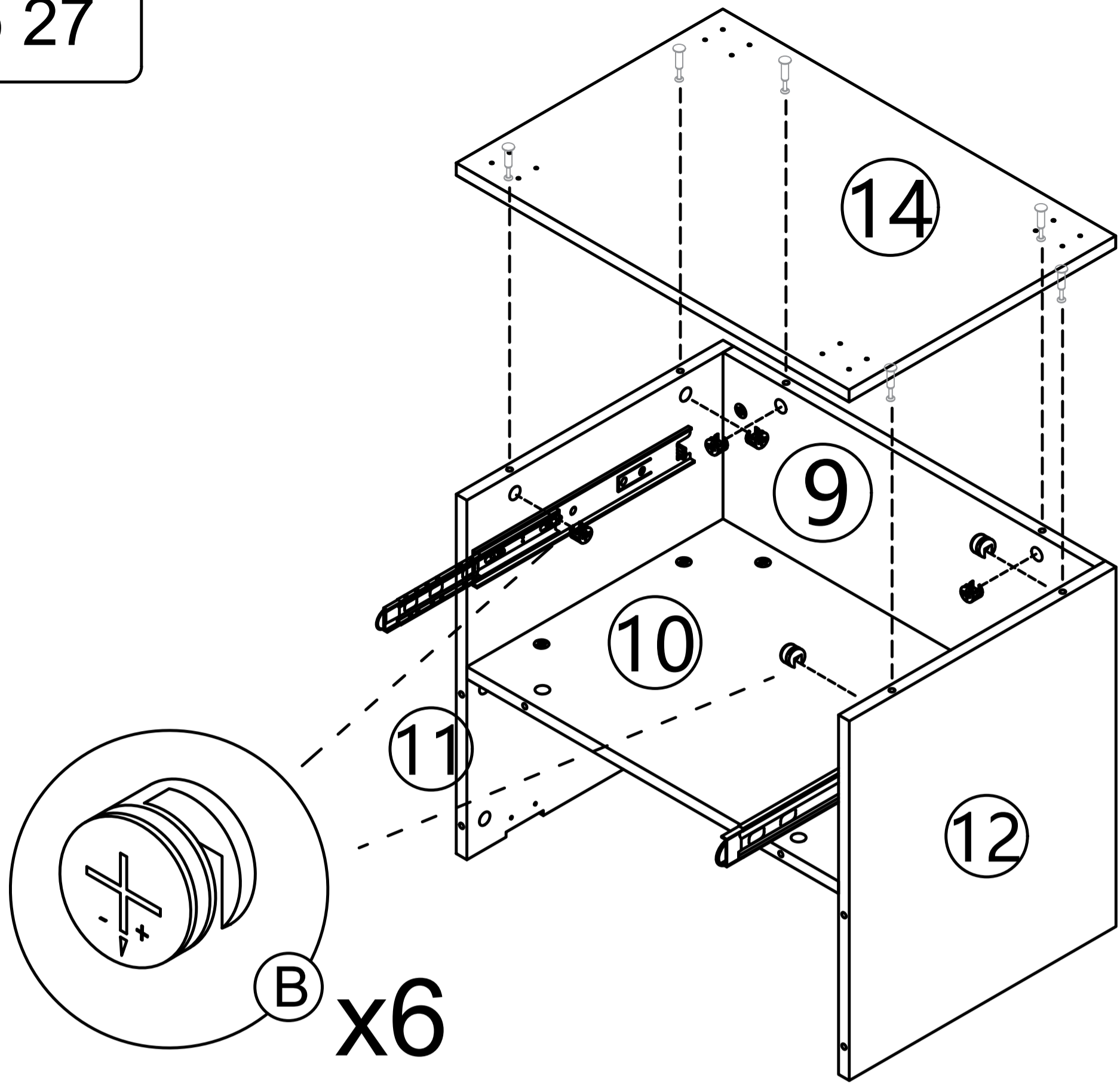


Step 26



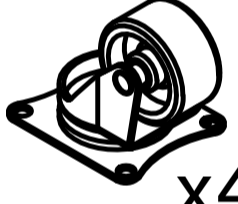
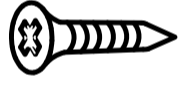
Step 27

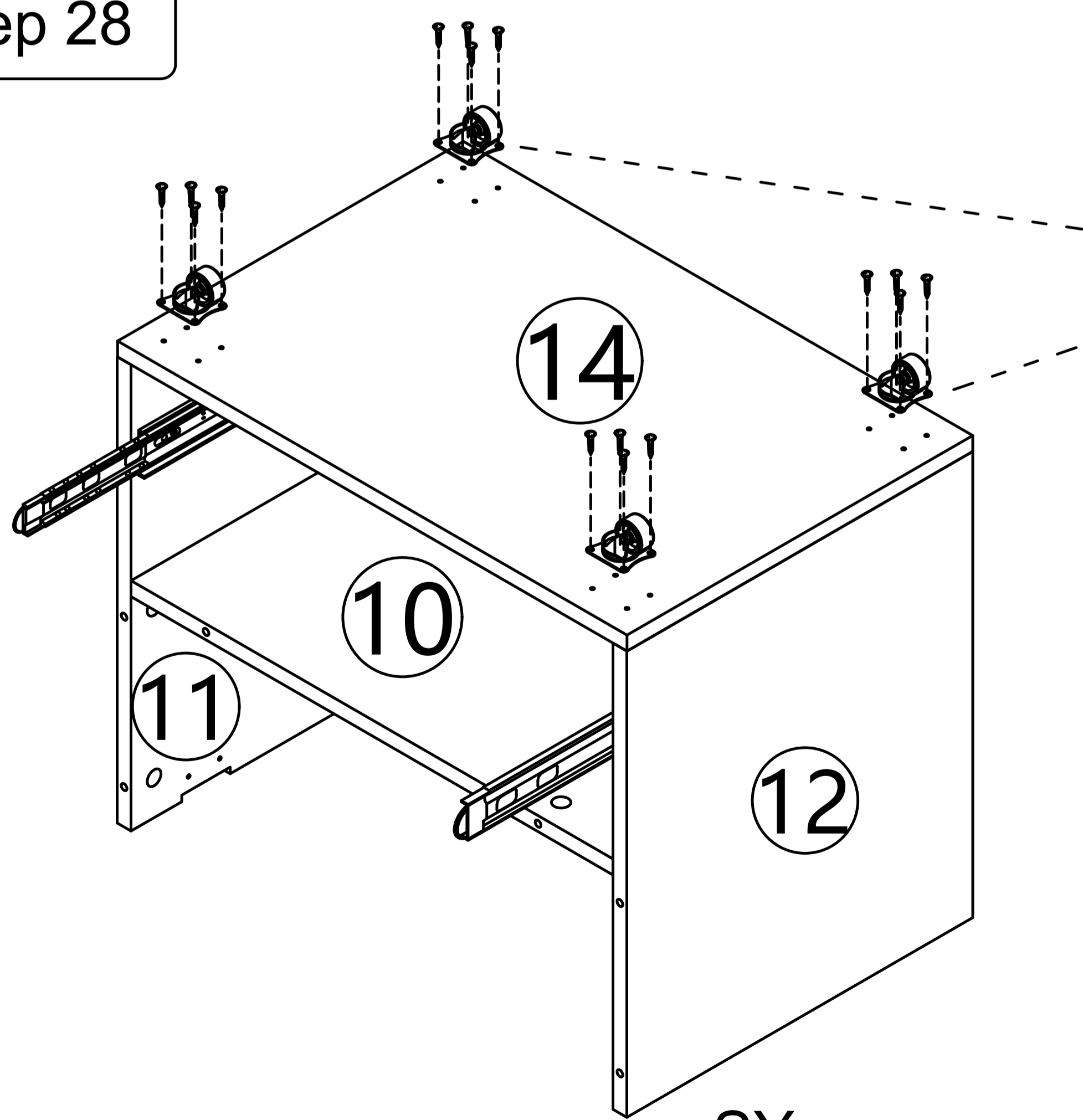
(B)  x 6



(B) x6

Step 28

(J)  x4  x16

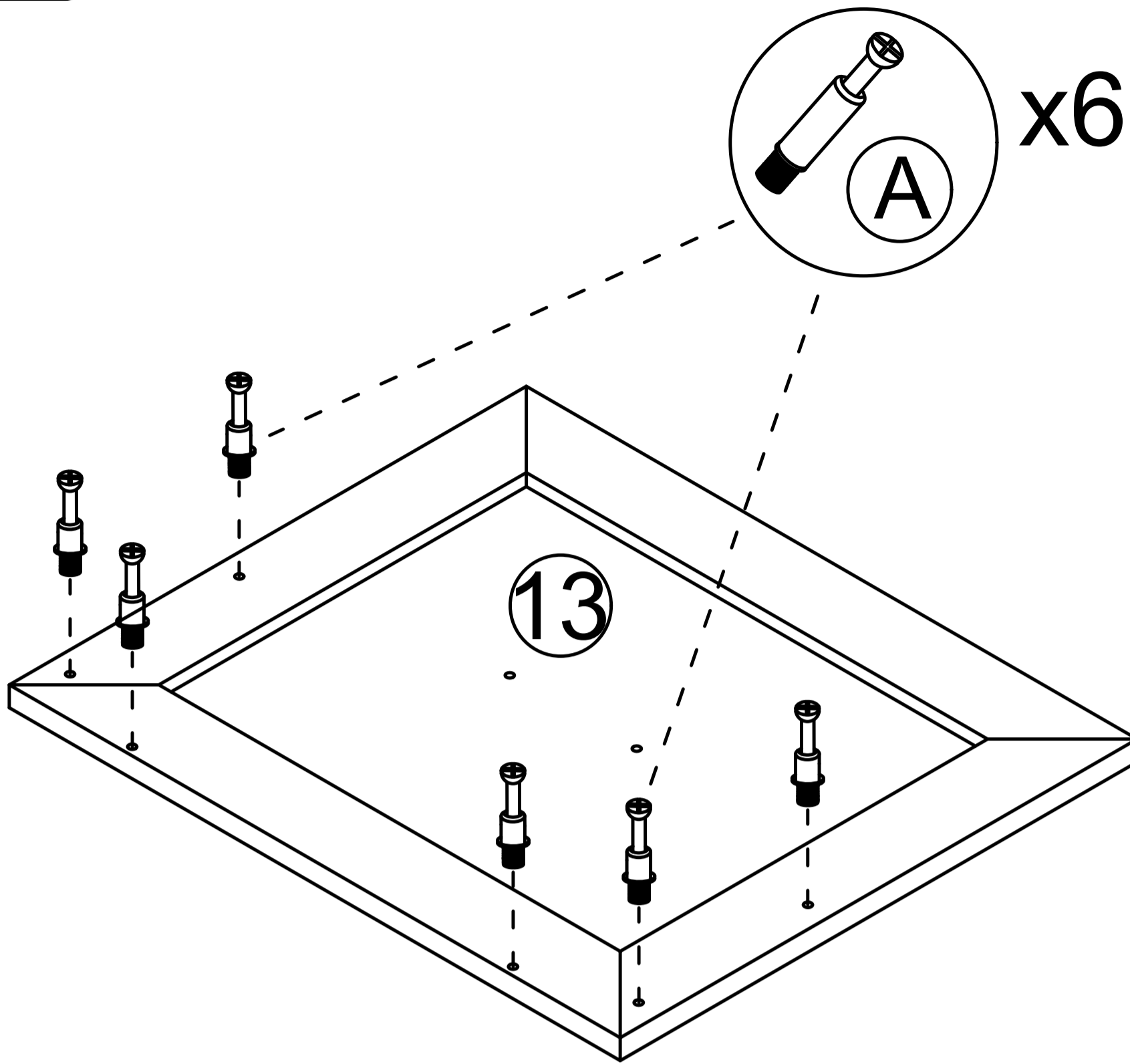
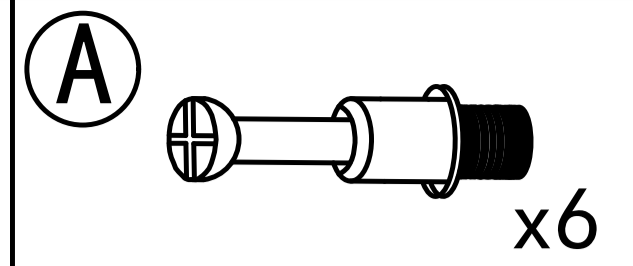


(J) x4

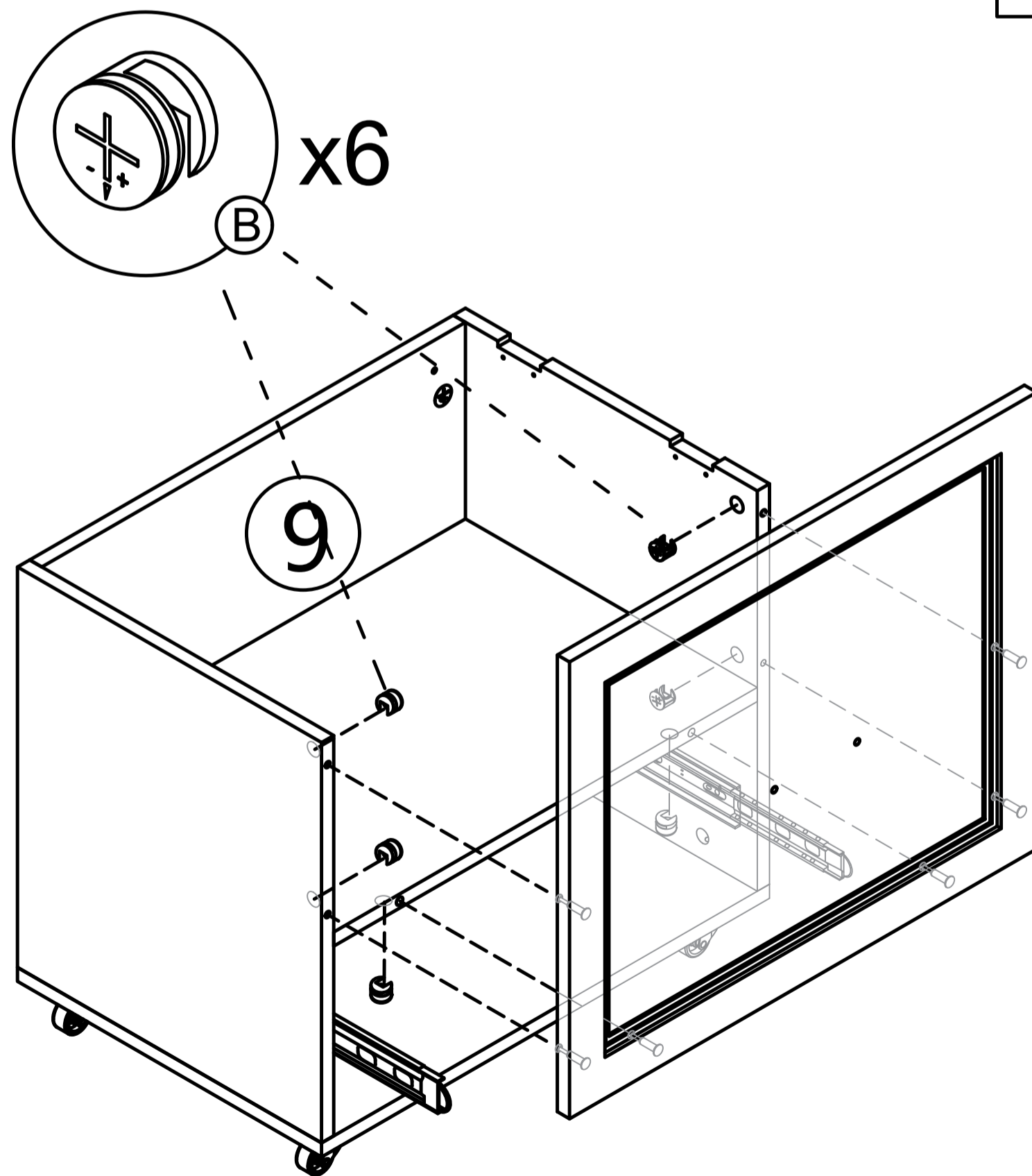
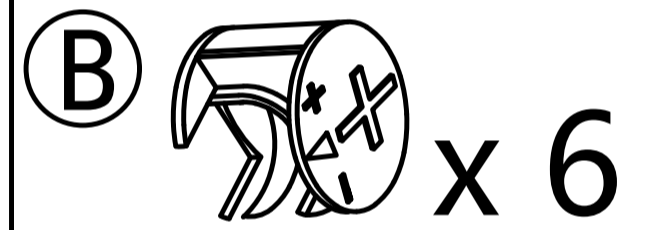
21

SY

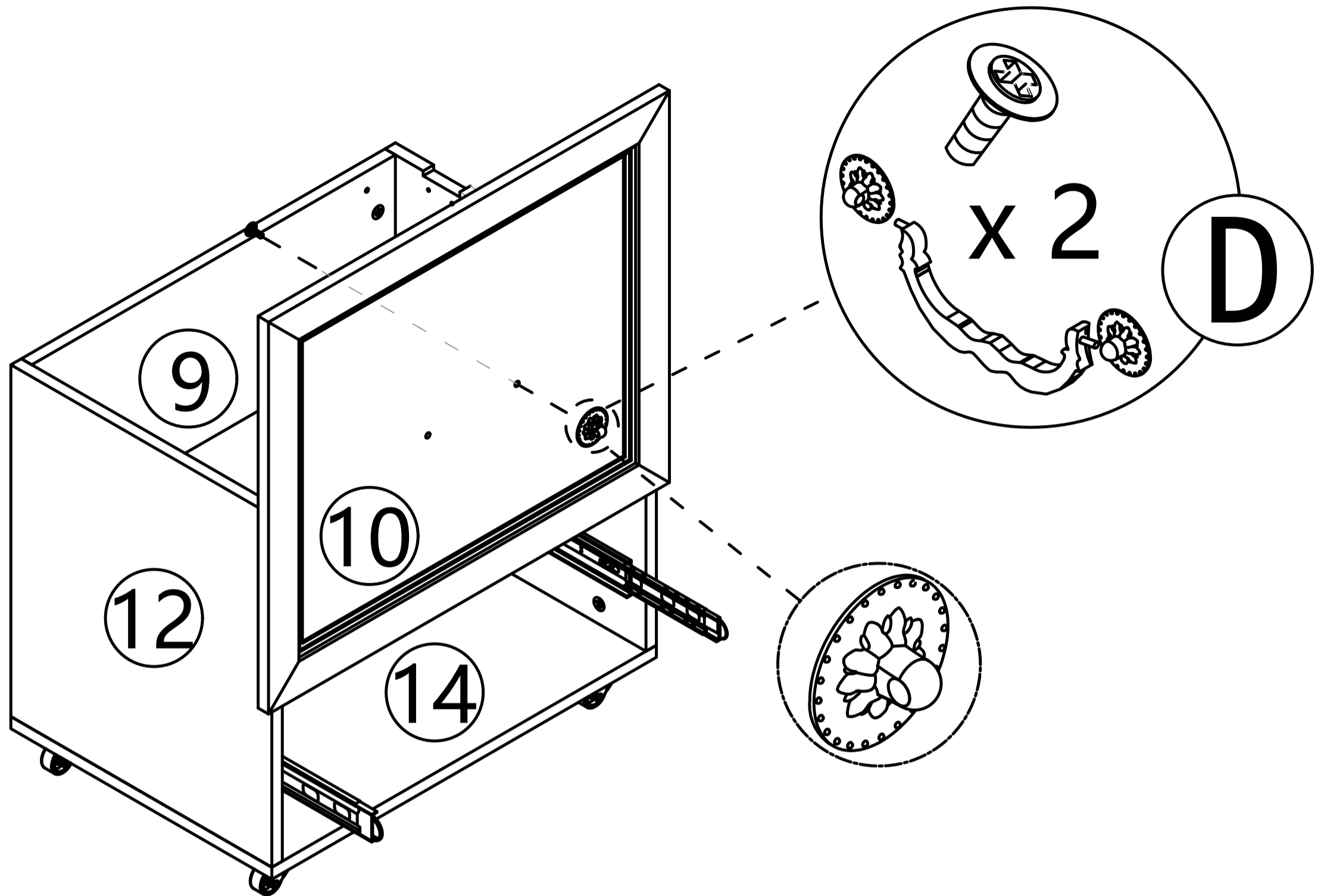
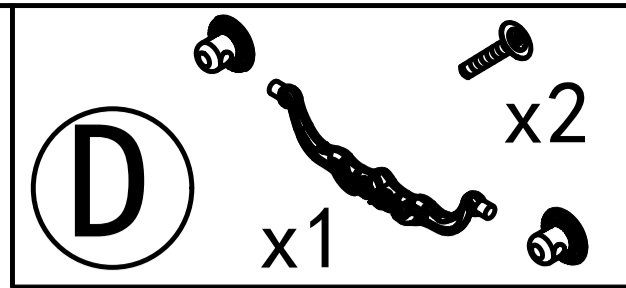
Step 29



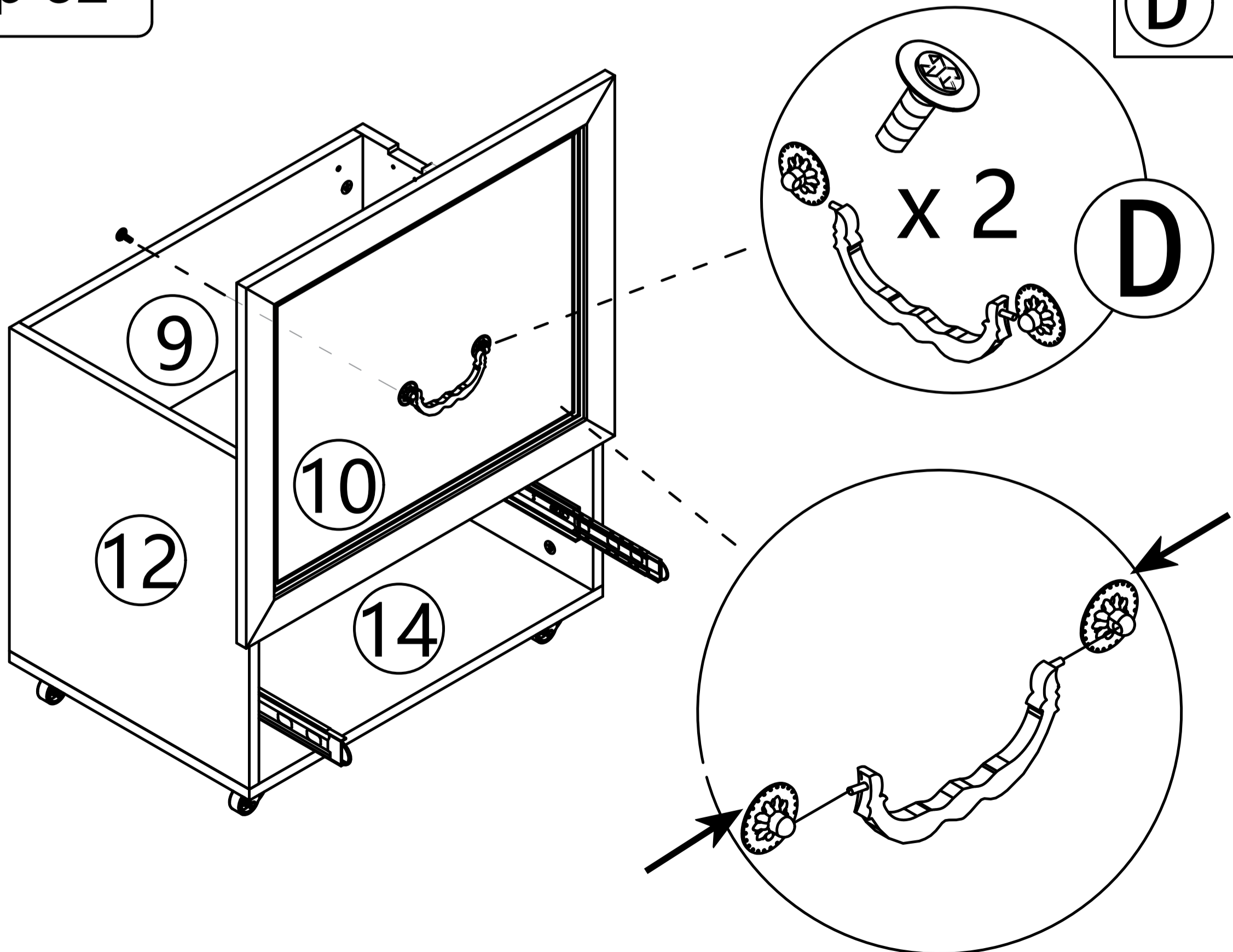
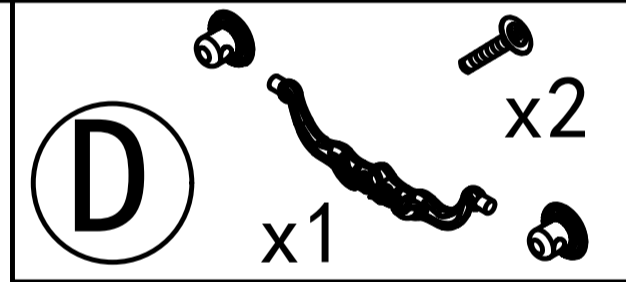
Step 30



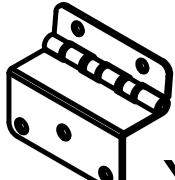

Step 31

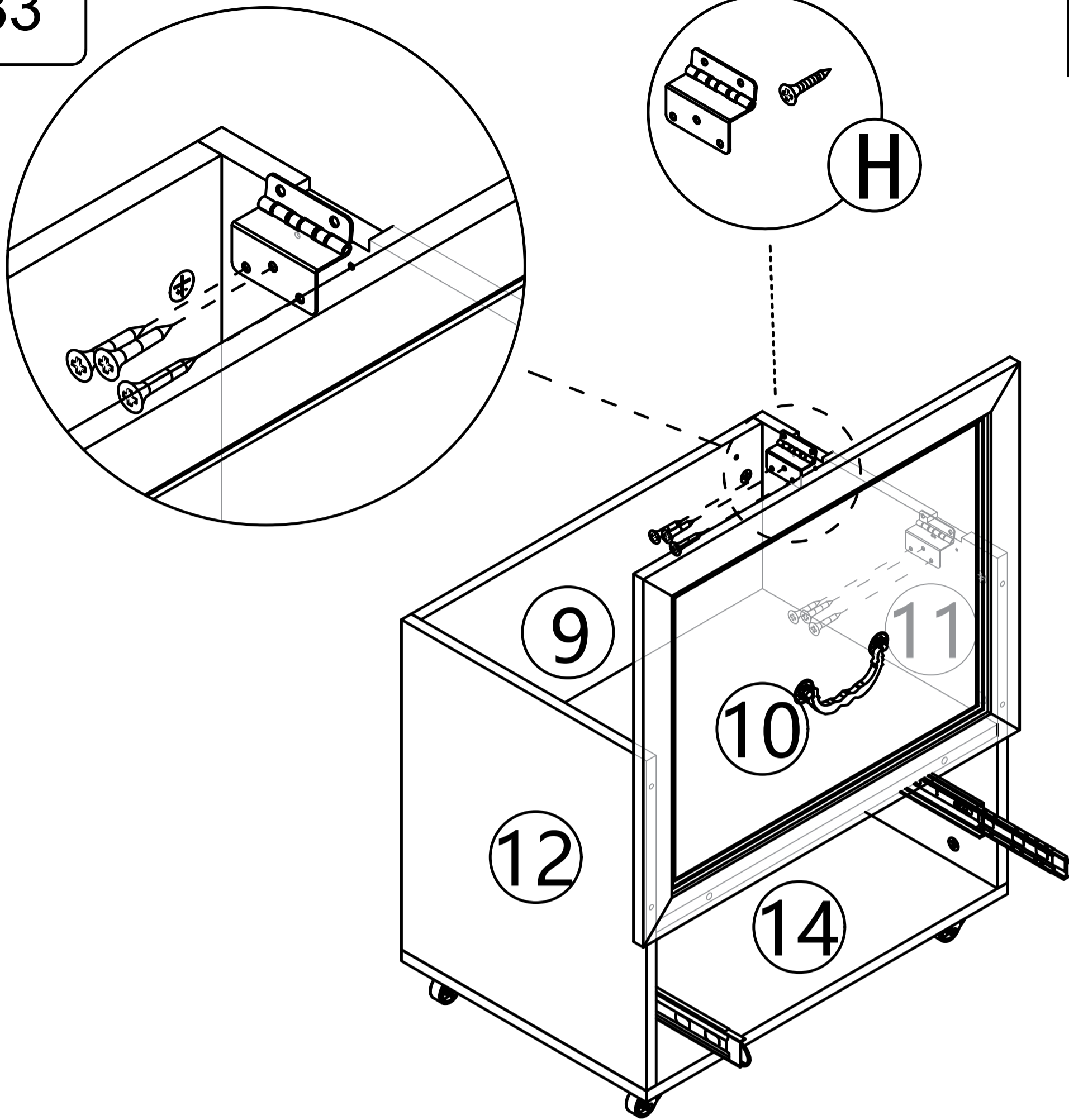


Step 32


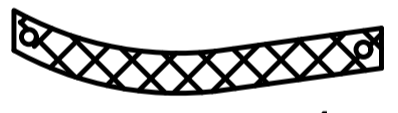




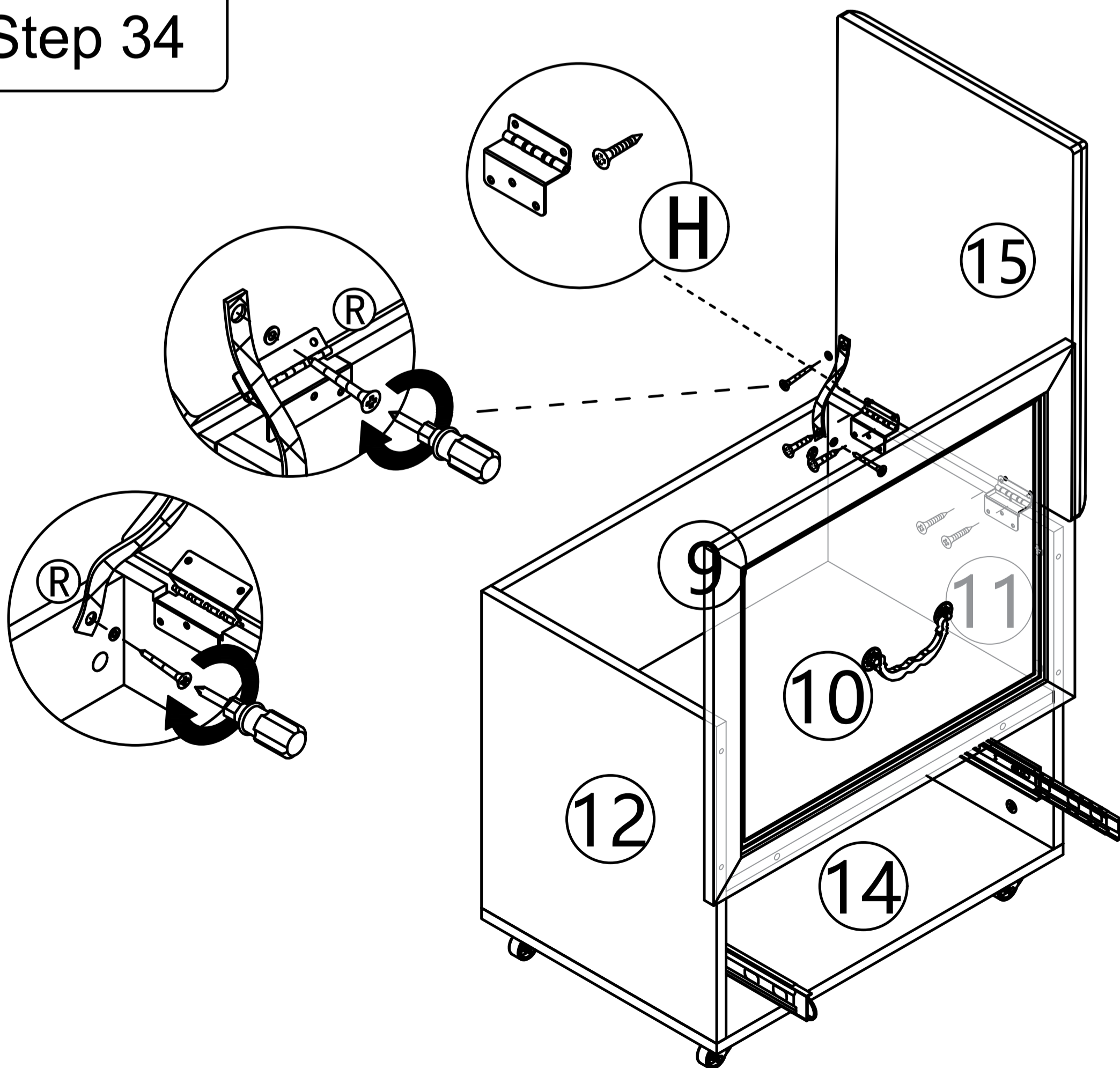
Step 33

- (H)  x2
-  x6

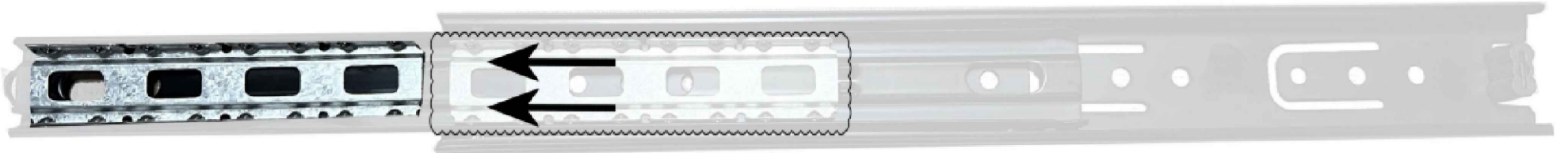


Step 34

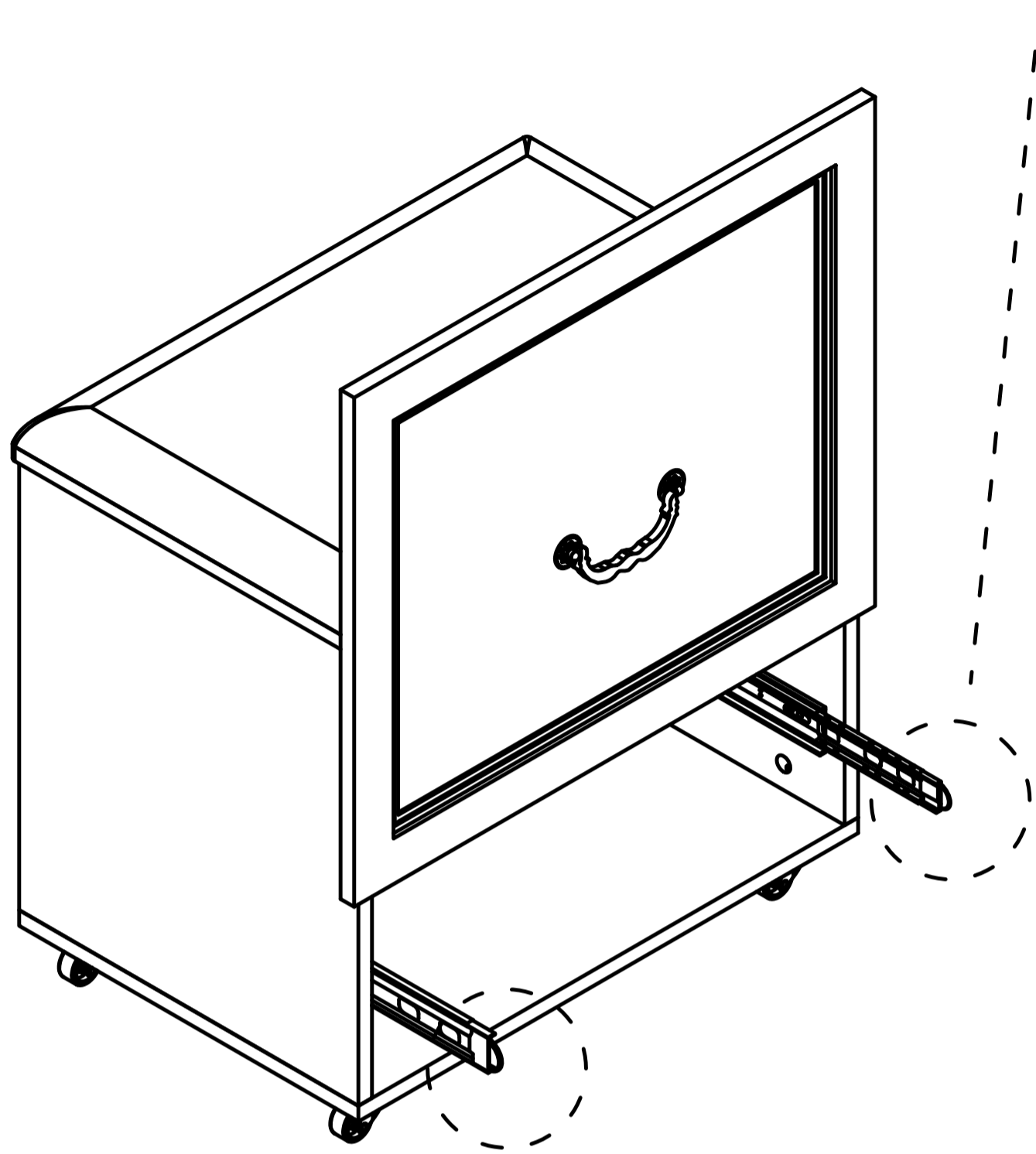
- (H)  x4
- (R)  x1
-  x2
-  x2



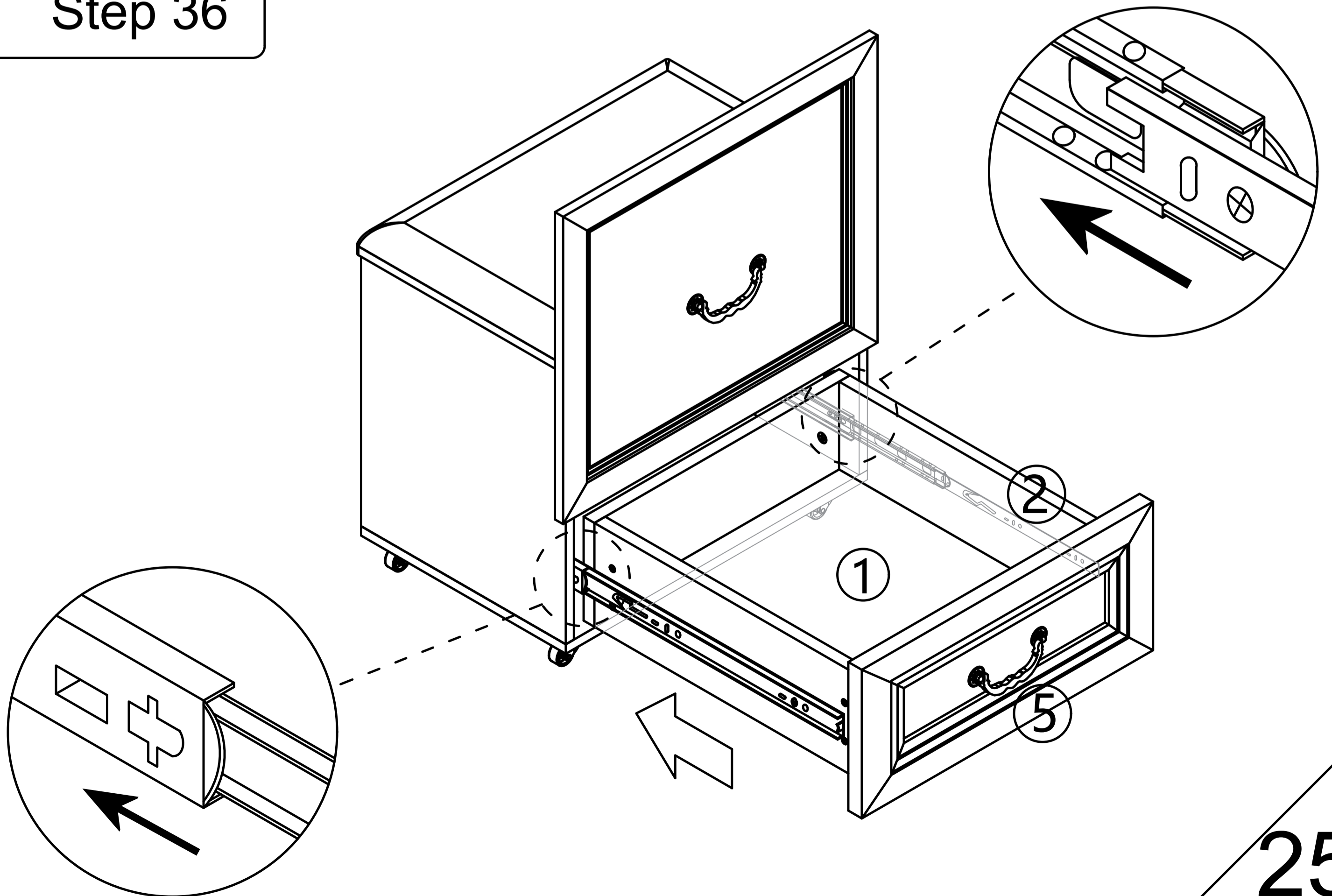
Step 35

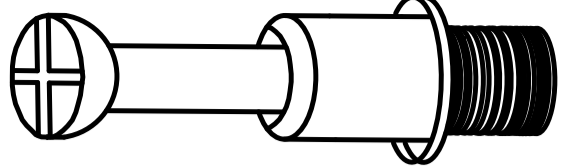
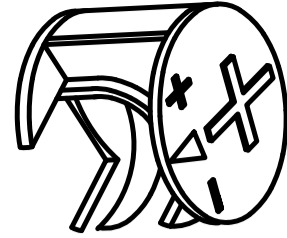
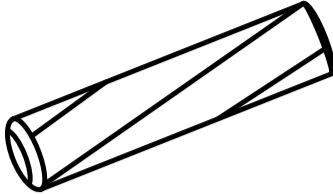
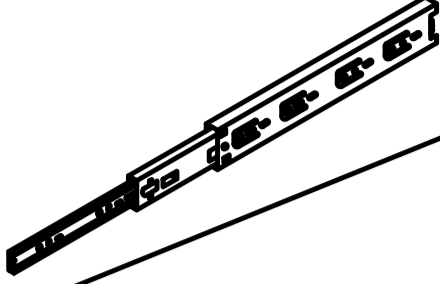
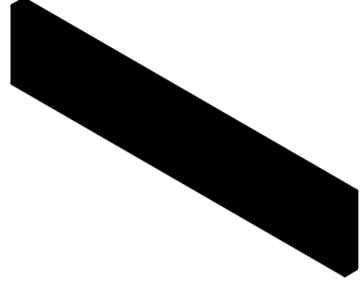
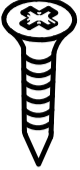


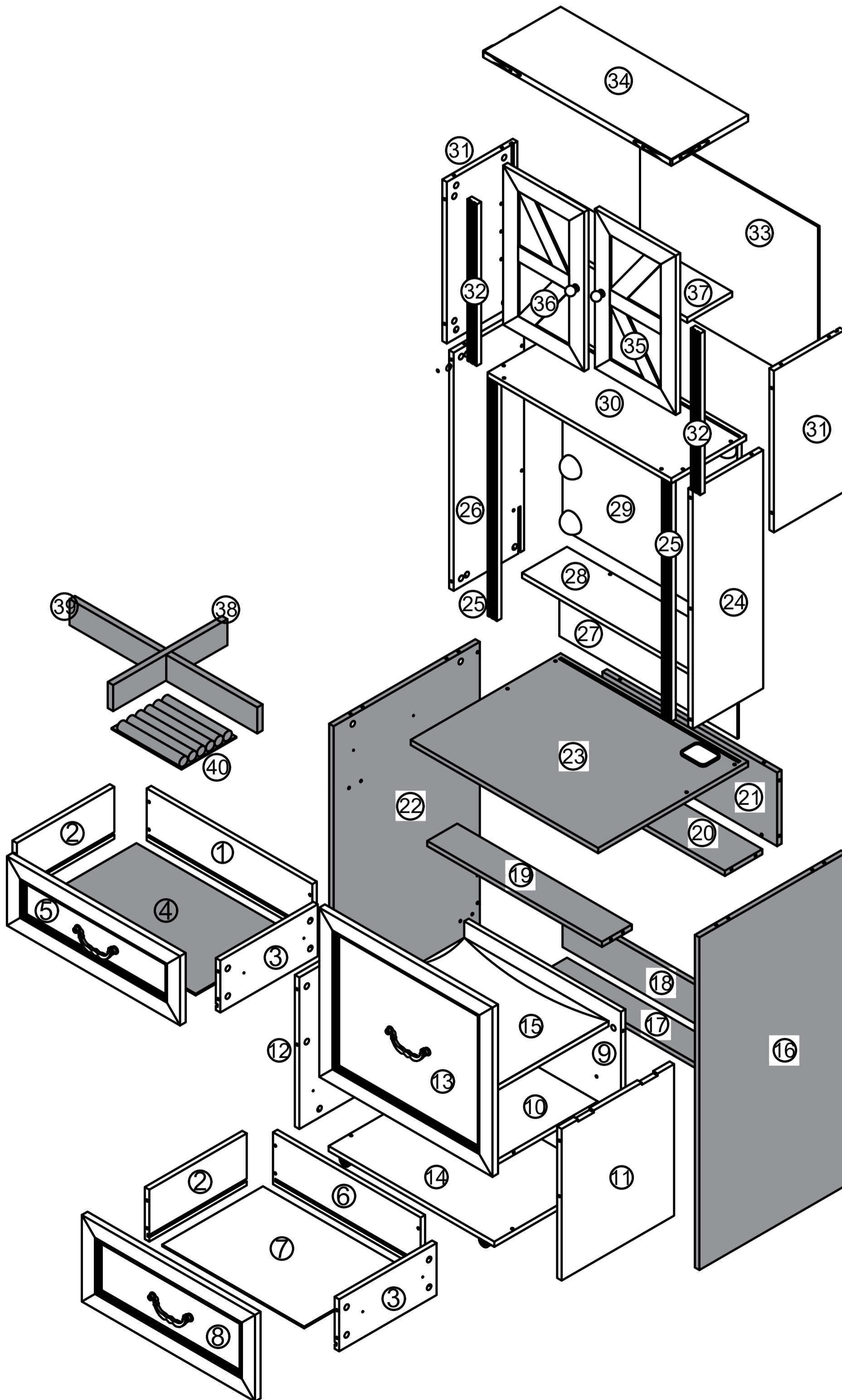
As shown, When installing the drawer, pull the guide rail out first, Slide beads are also pulled out.



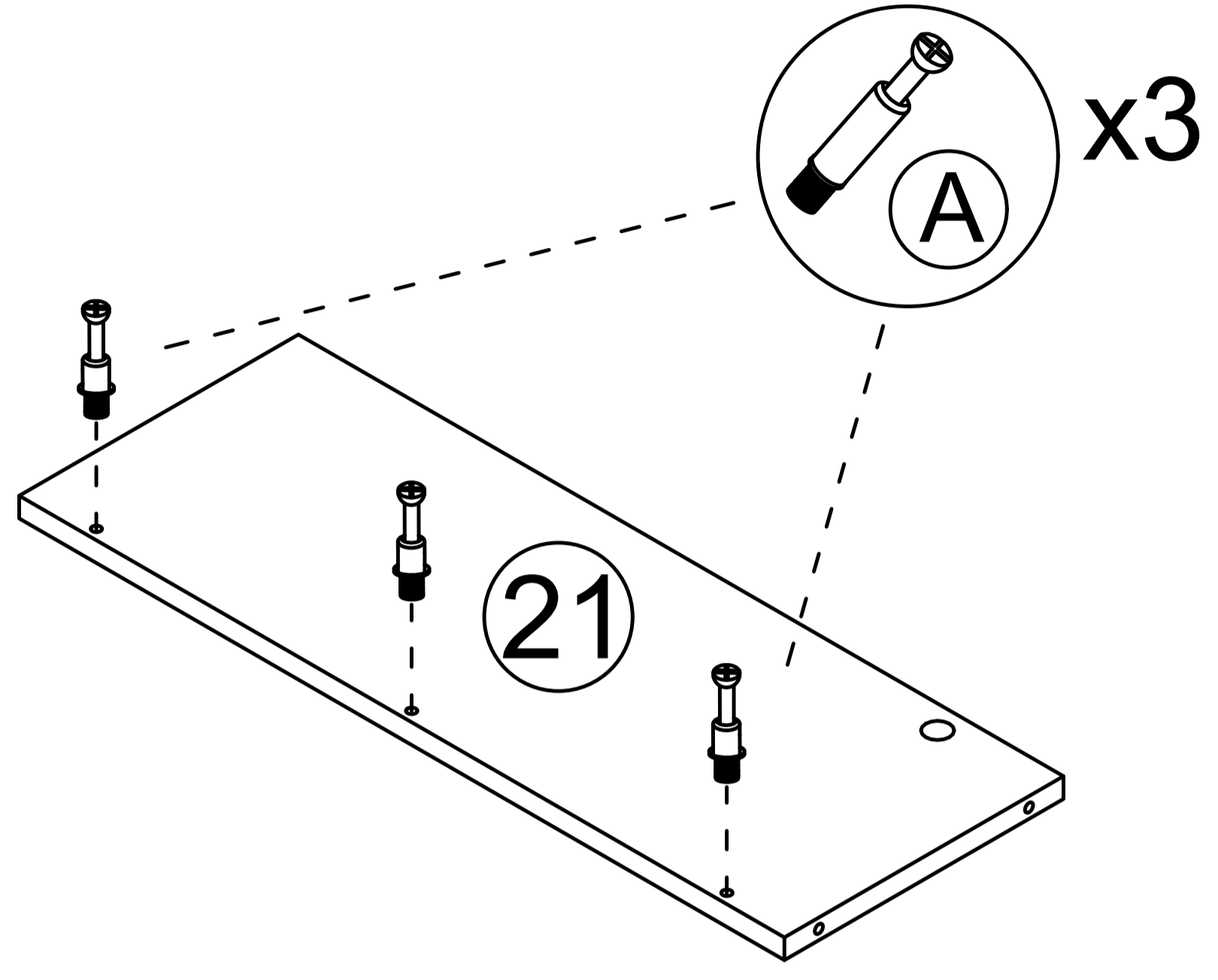
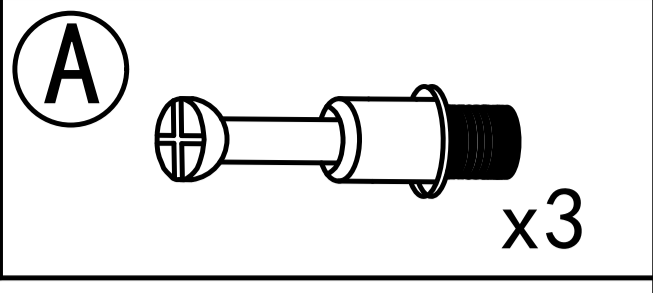
Step 36



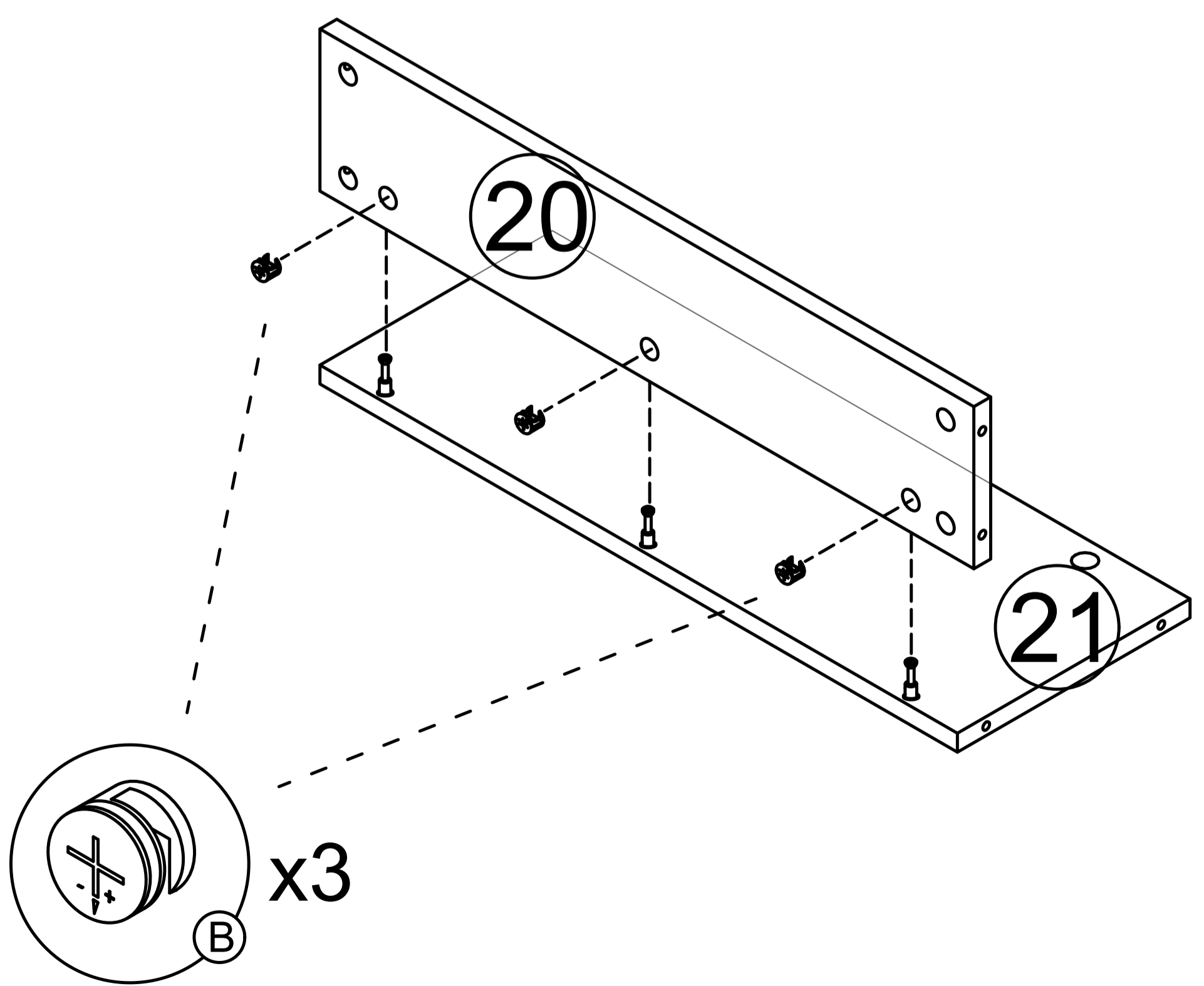
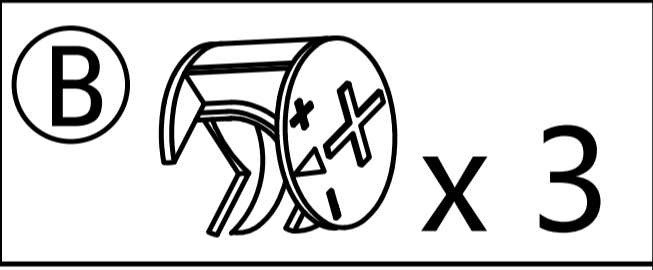
A		36pcs	B		32pcs
C		4pcs	E		2pcs
G		4pcs			



Step 37

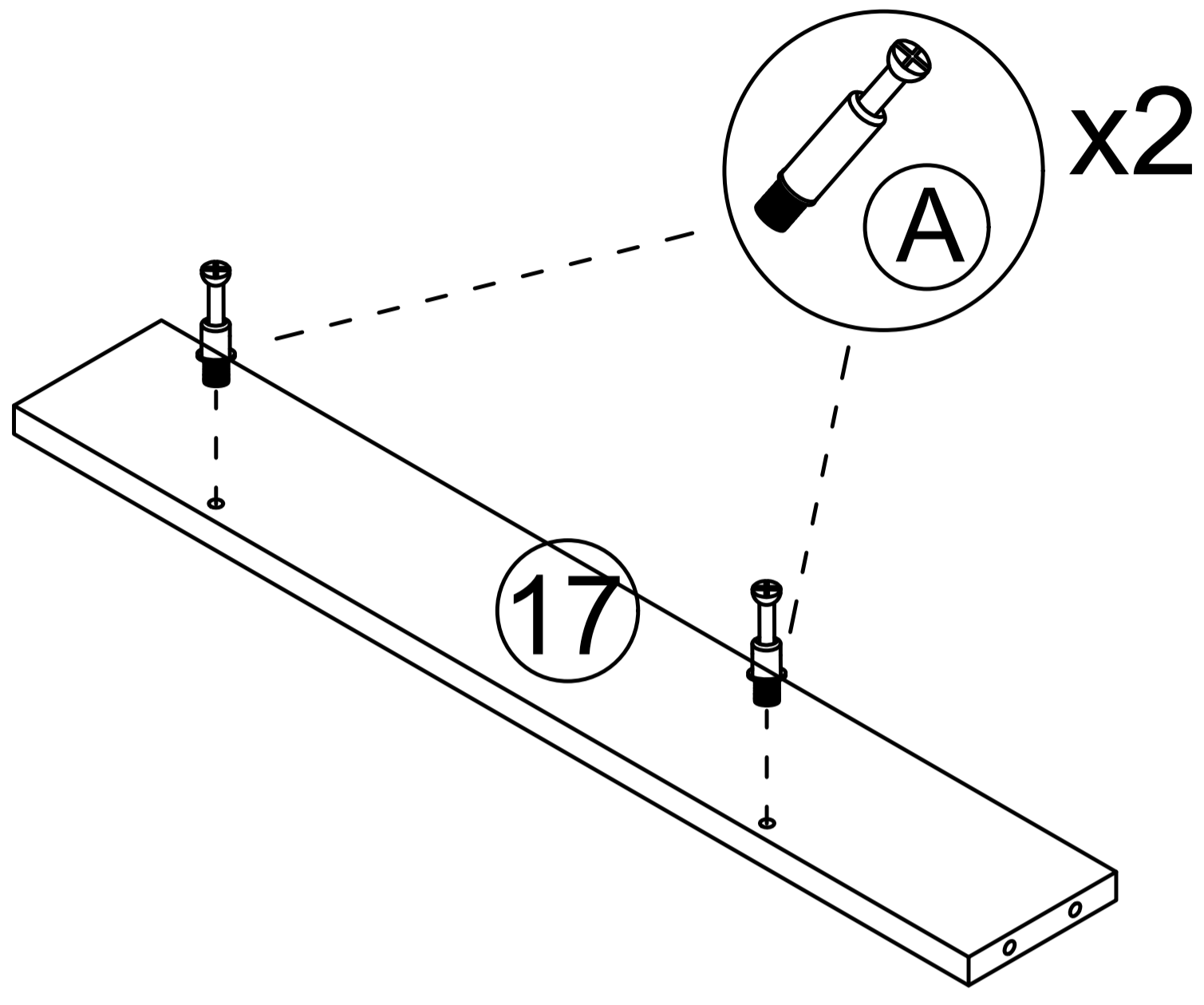
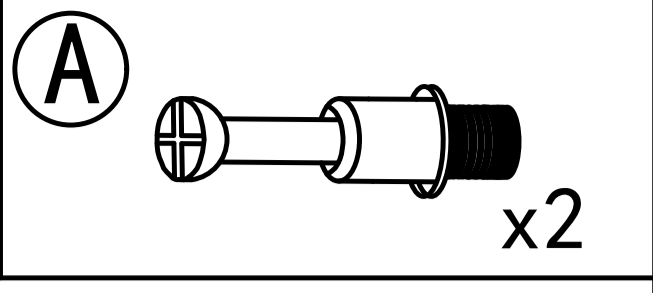


Step 38

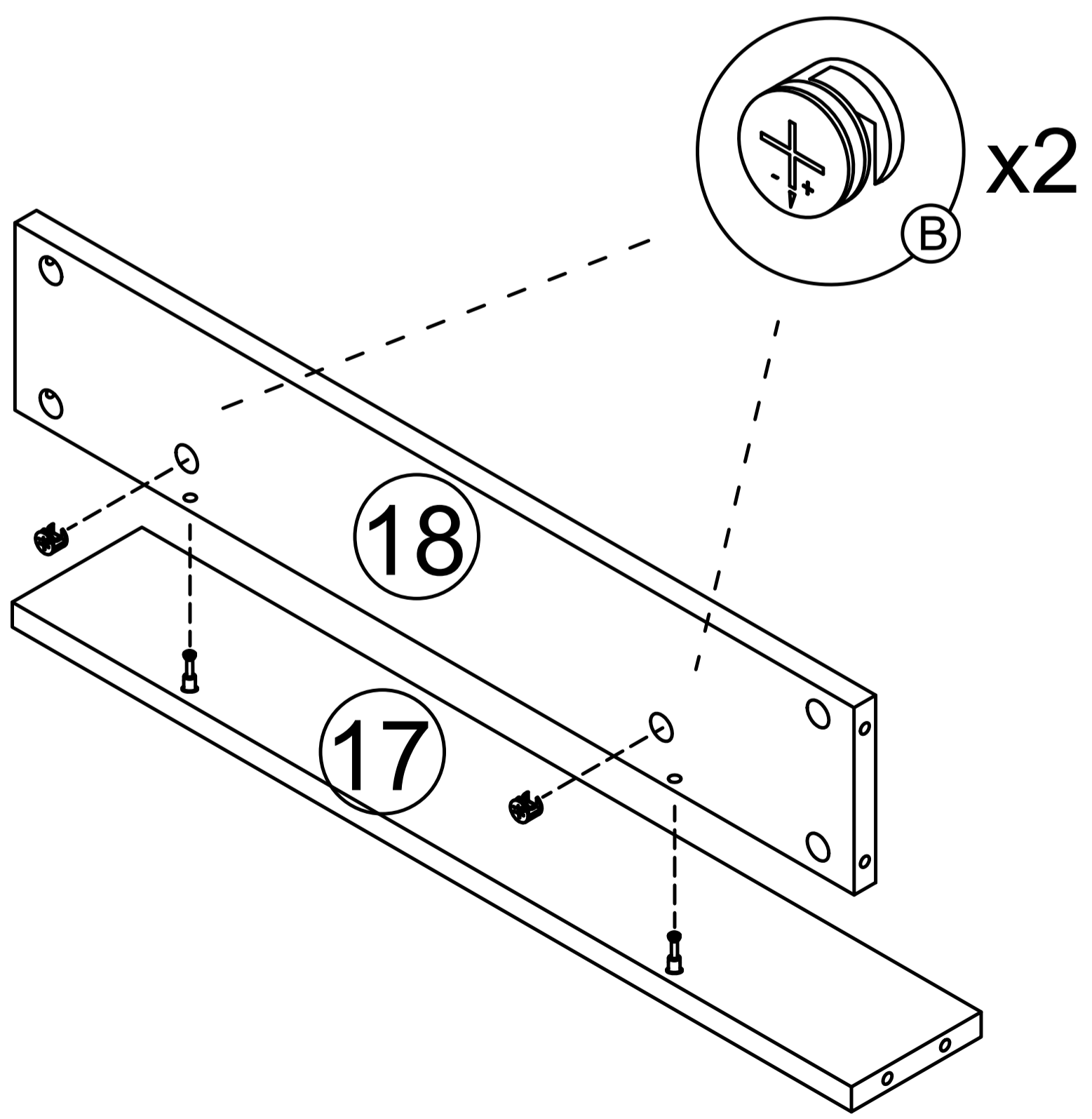
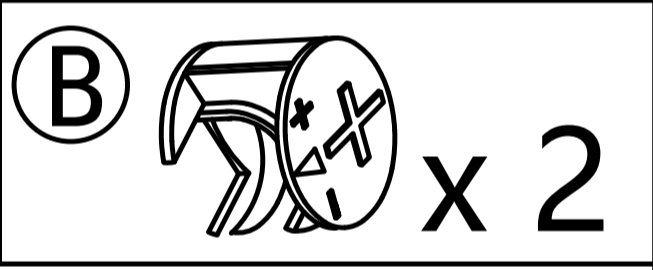


27

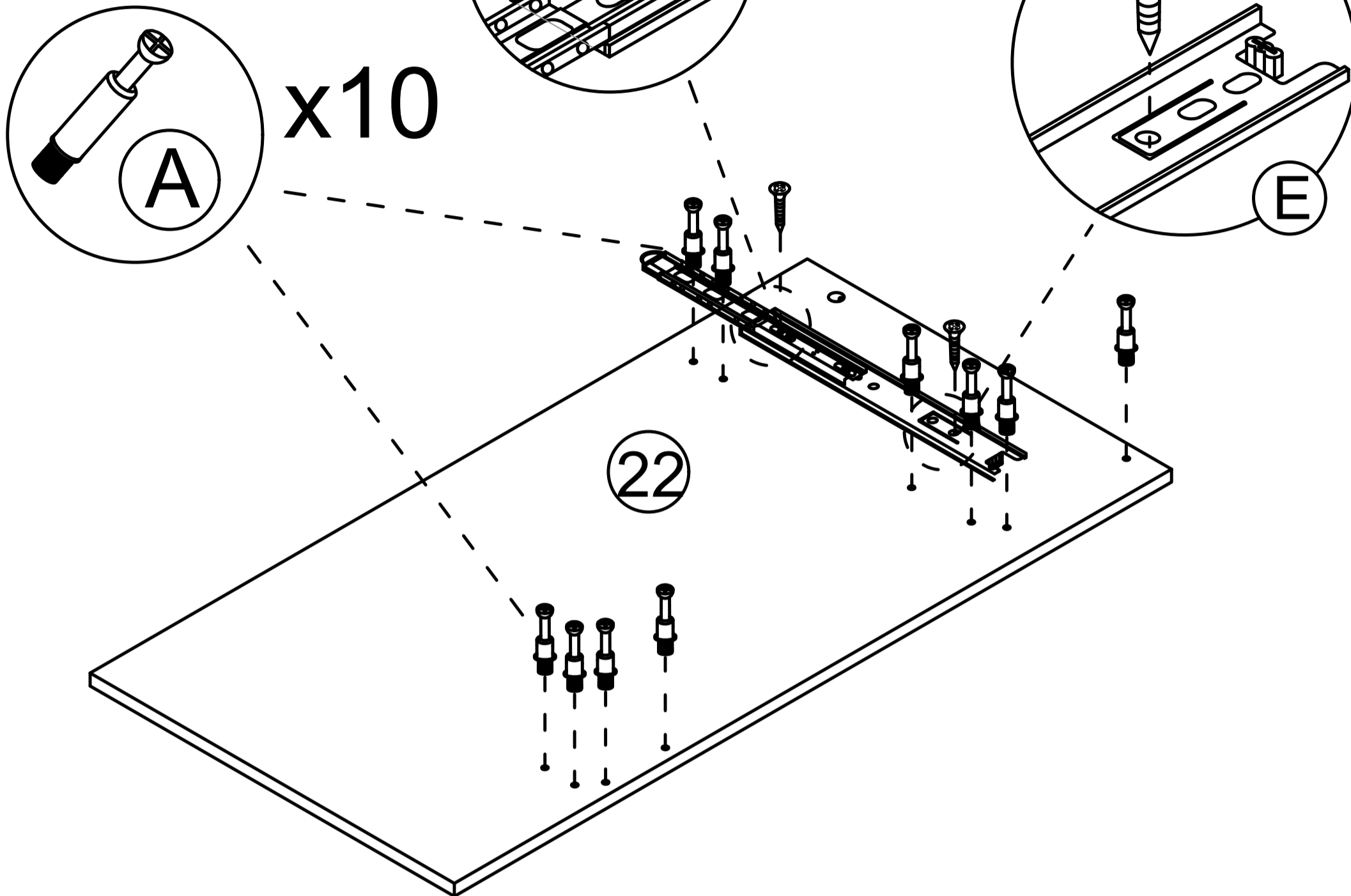
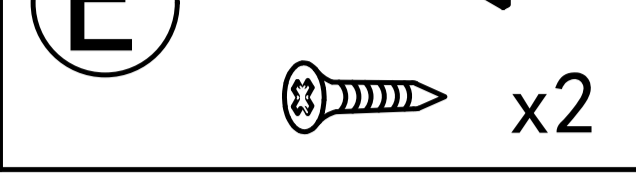
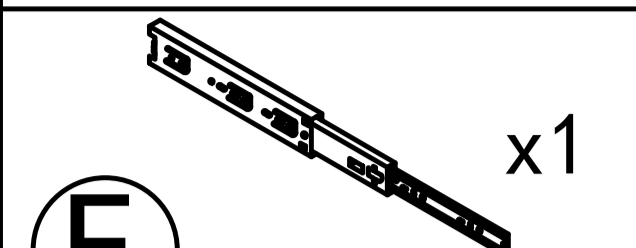
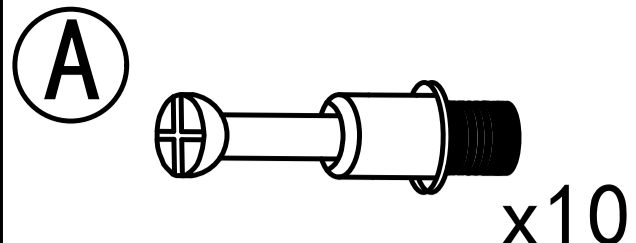
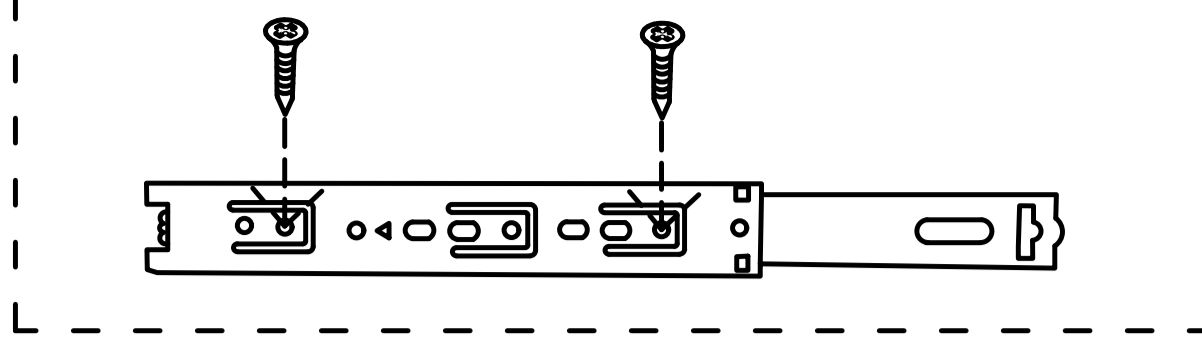
Step 39



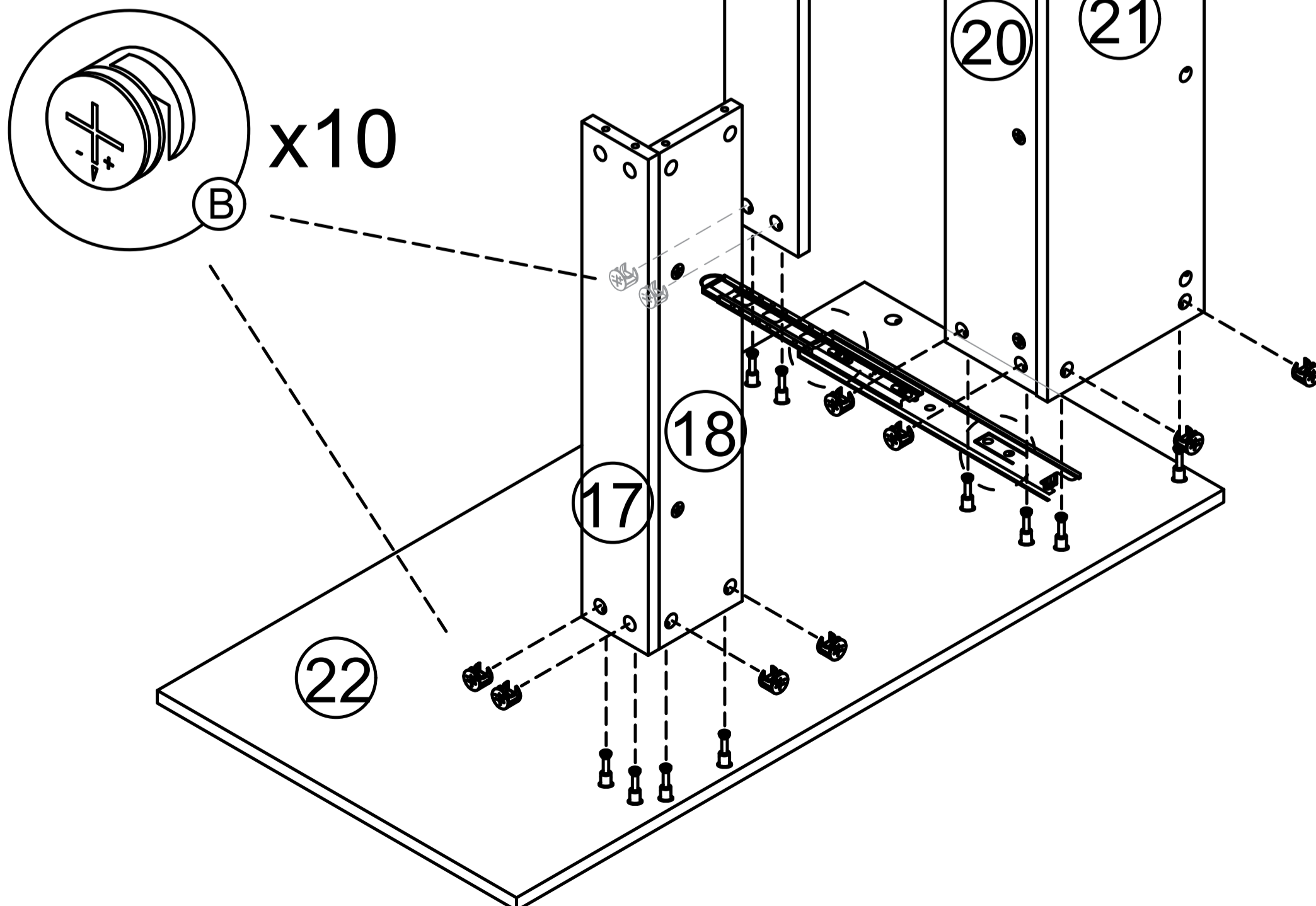
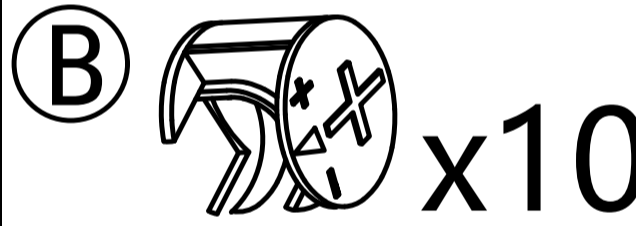
Step 40



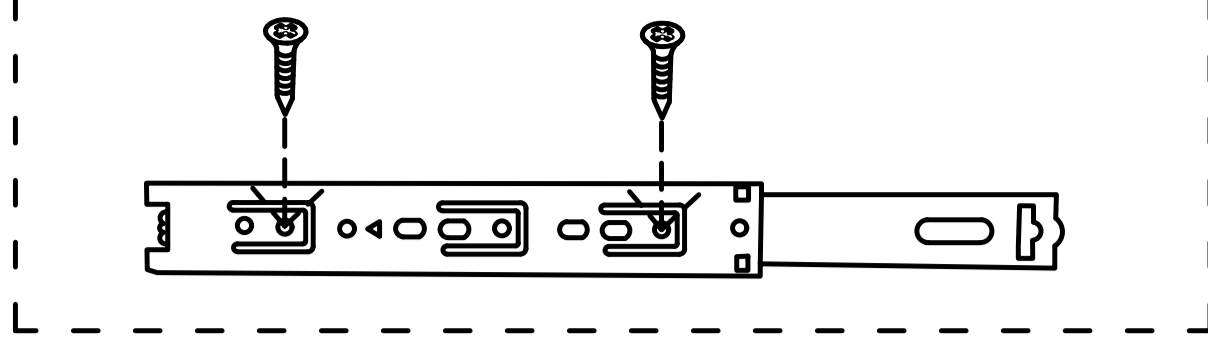
Step 41

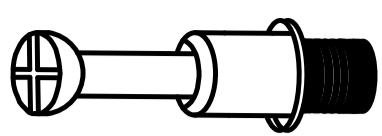
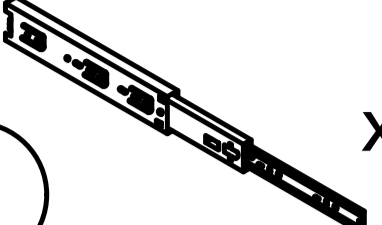



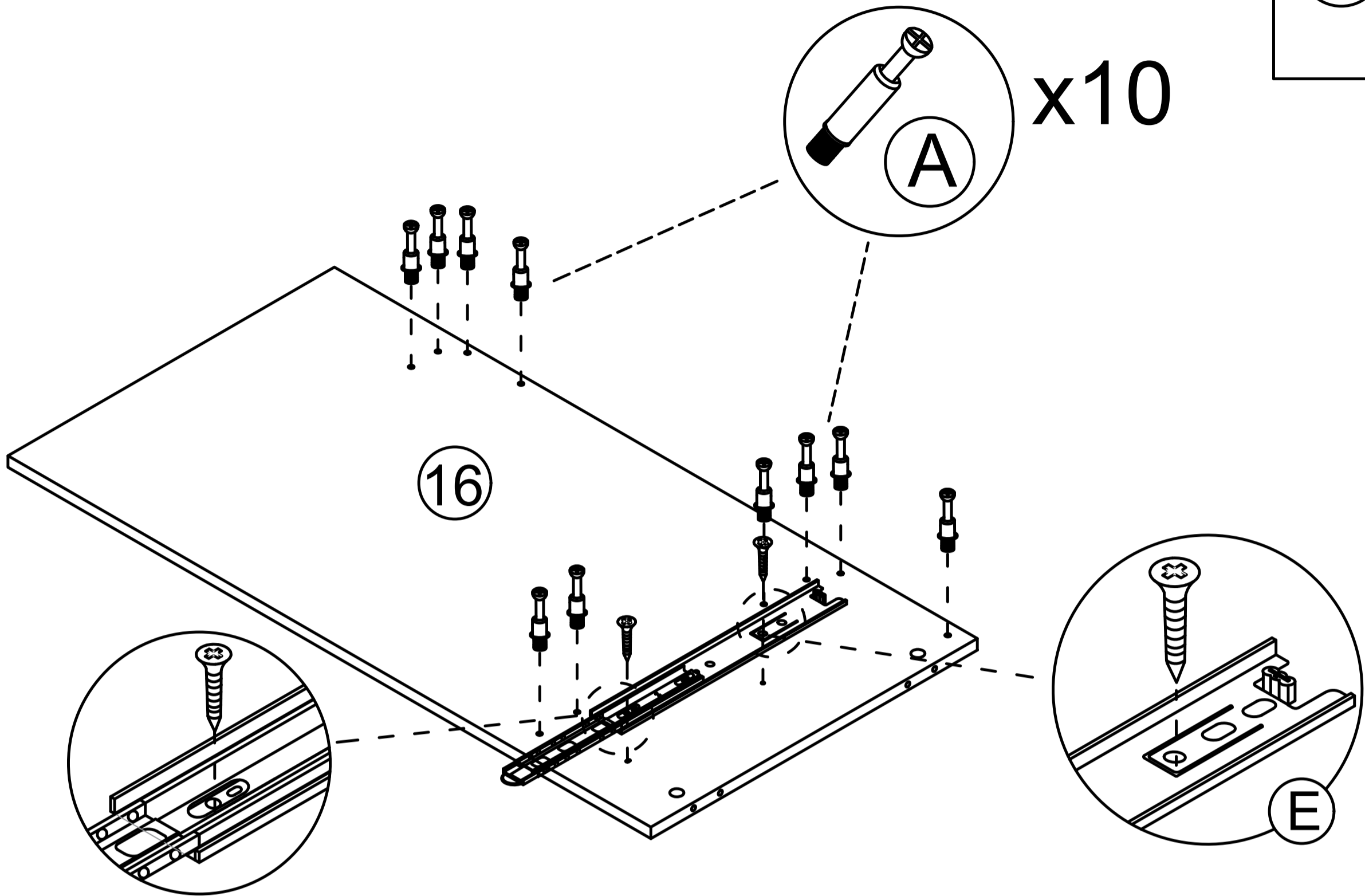
Step 42





Step 43

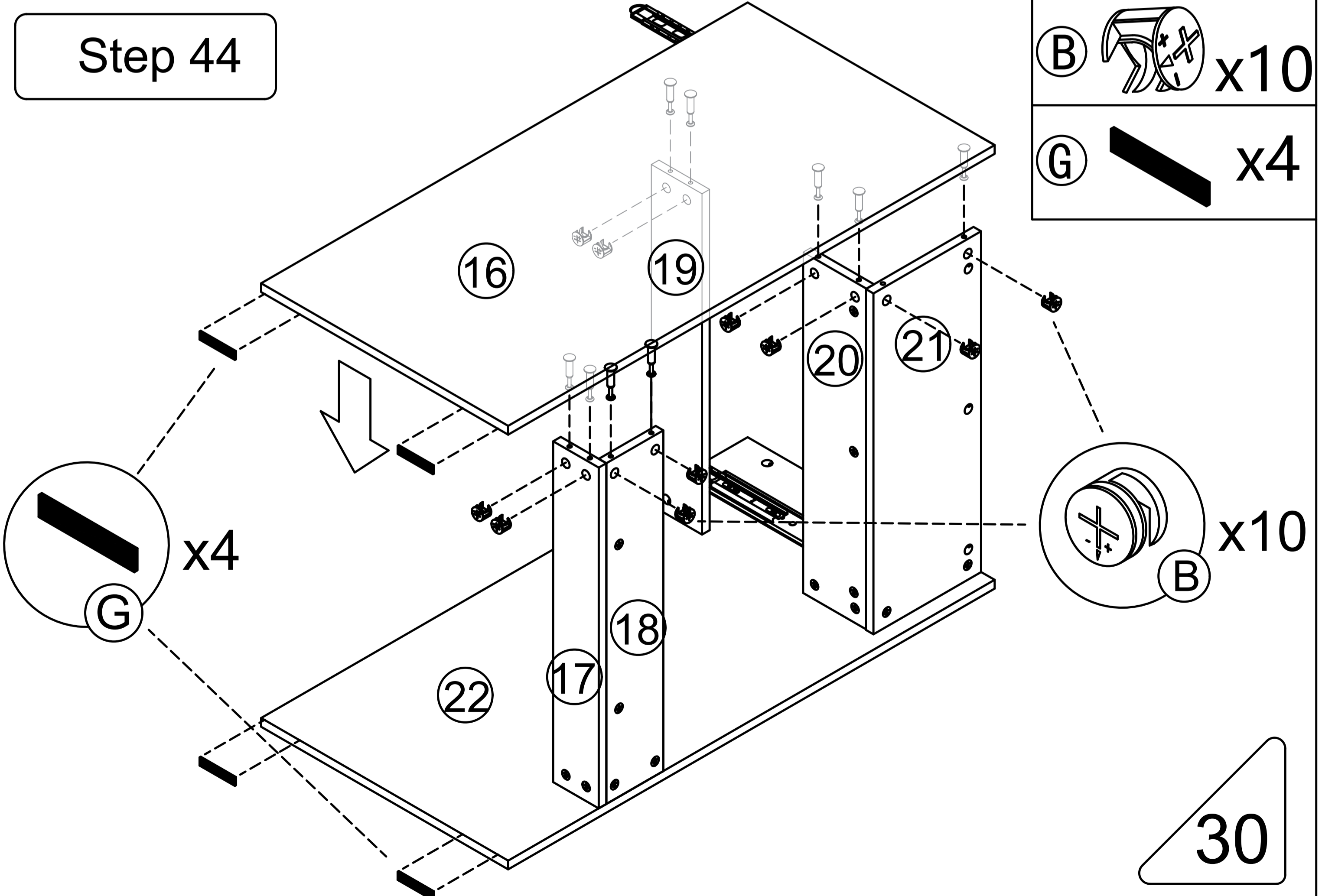


- (A)  x10
- (E)  x1
-  x2



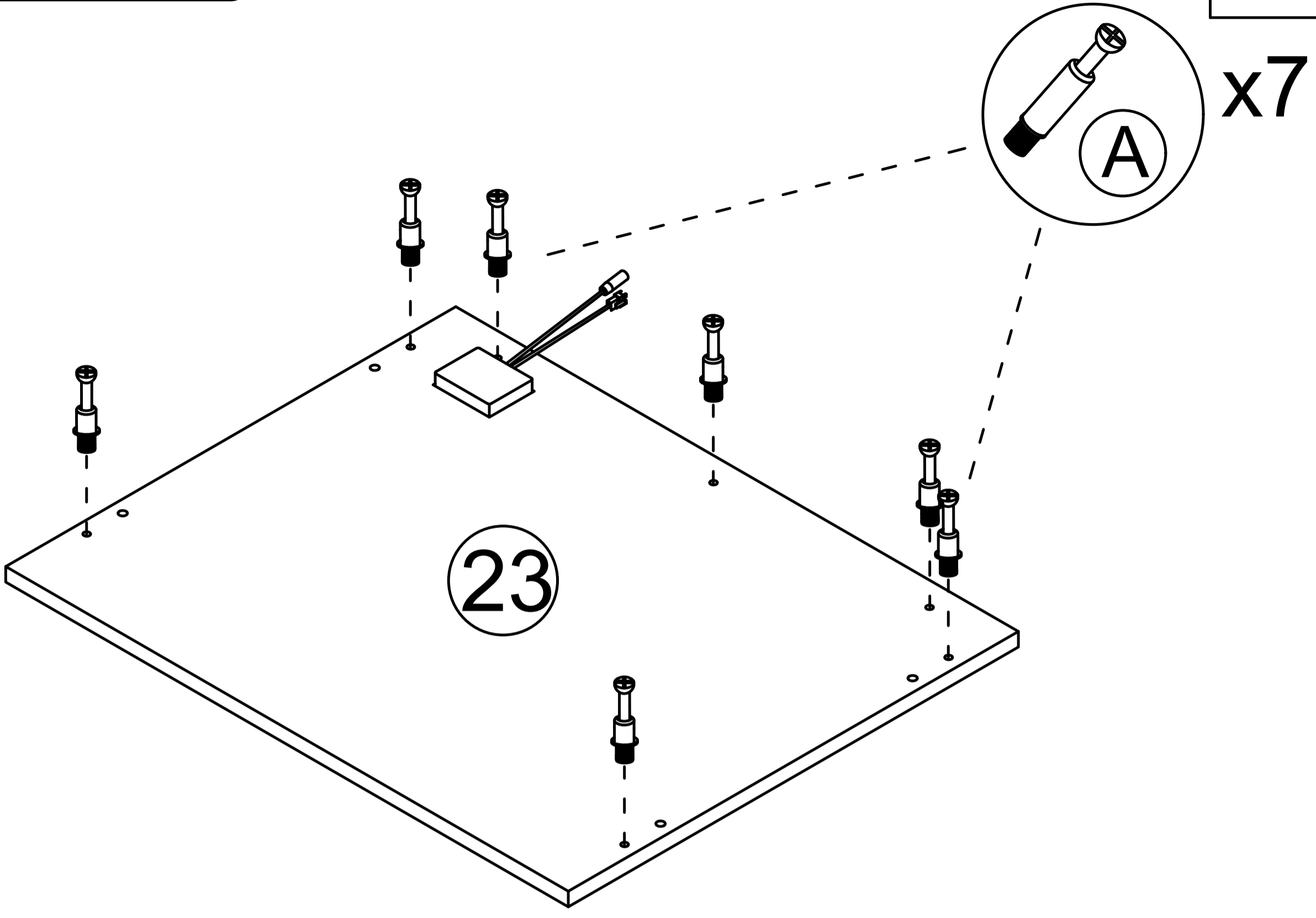
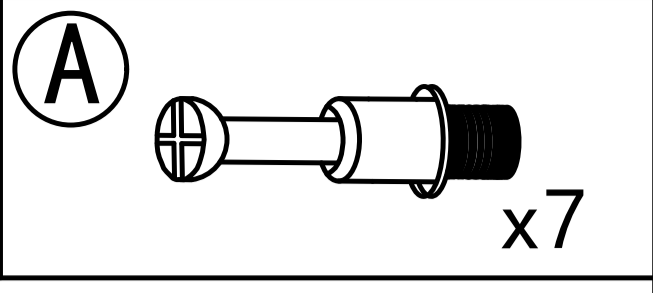
Step 44

- (B)  x10
- (G)  x4

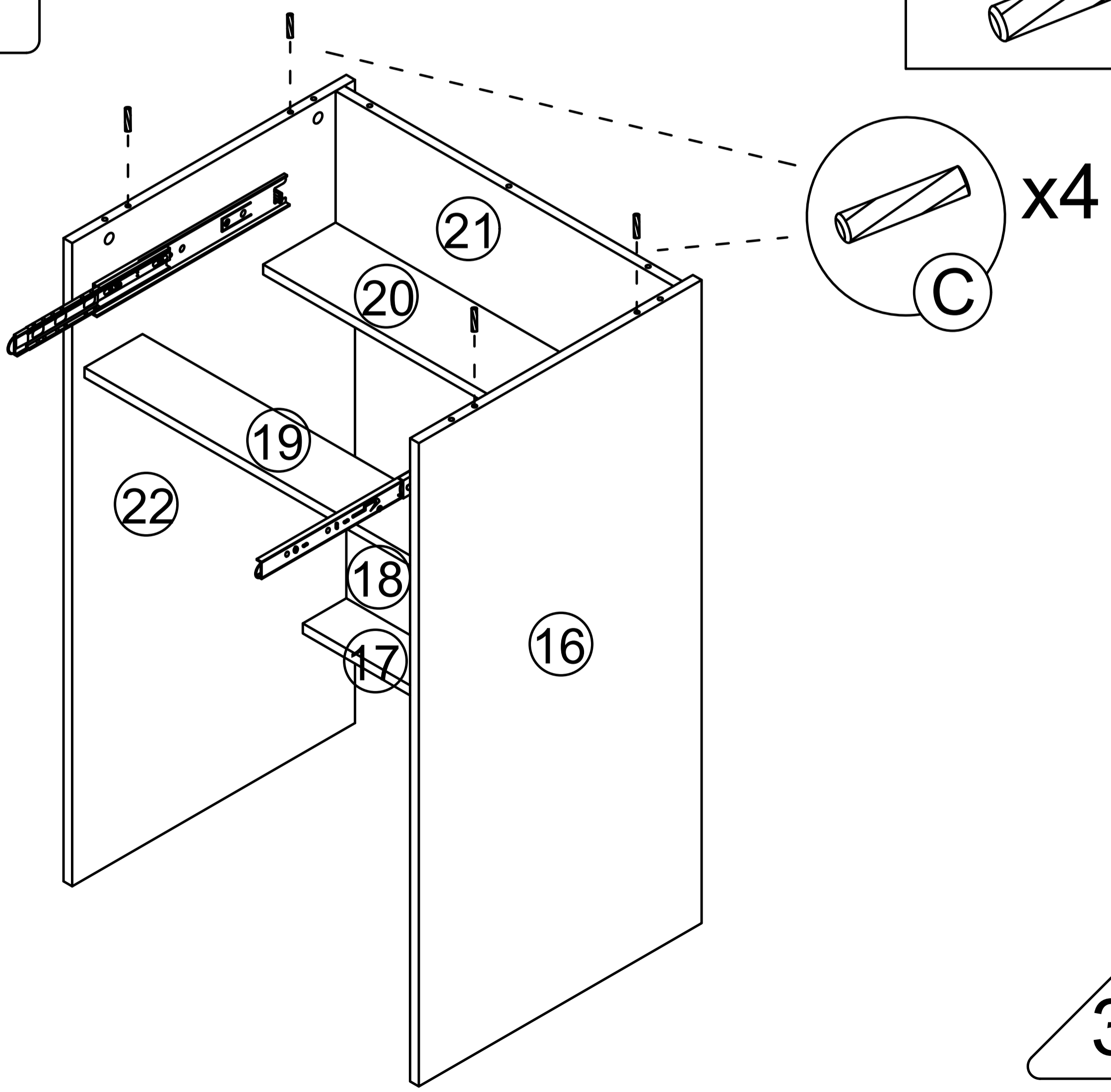
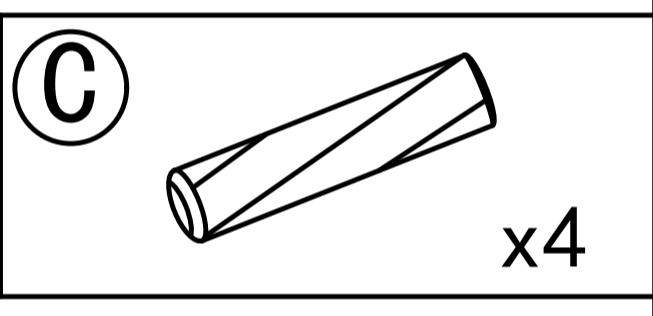


SY

Step 45

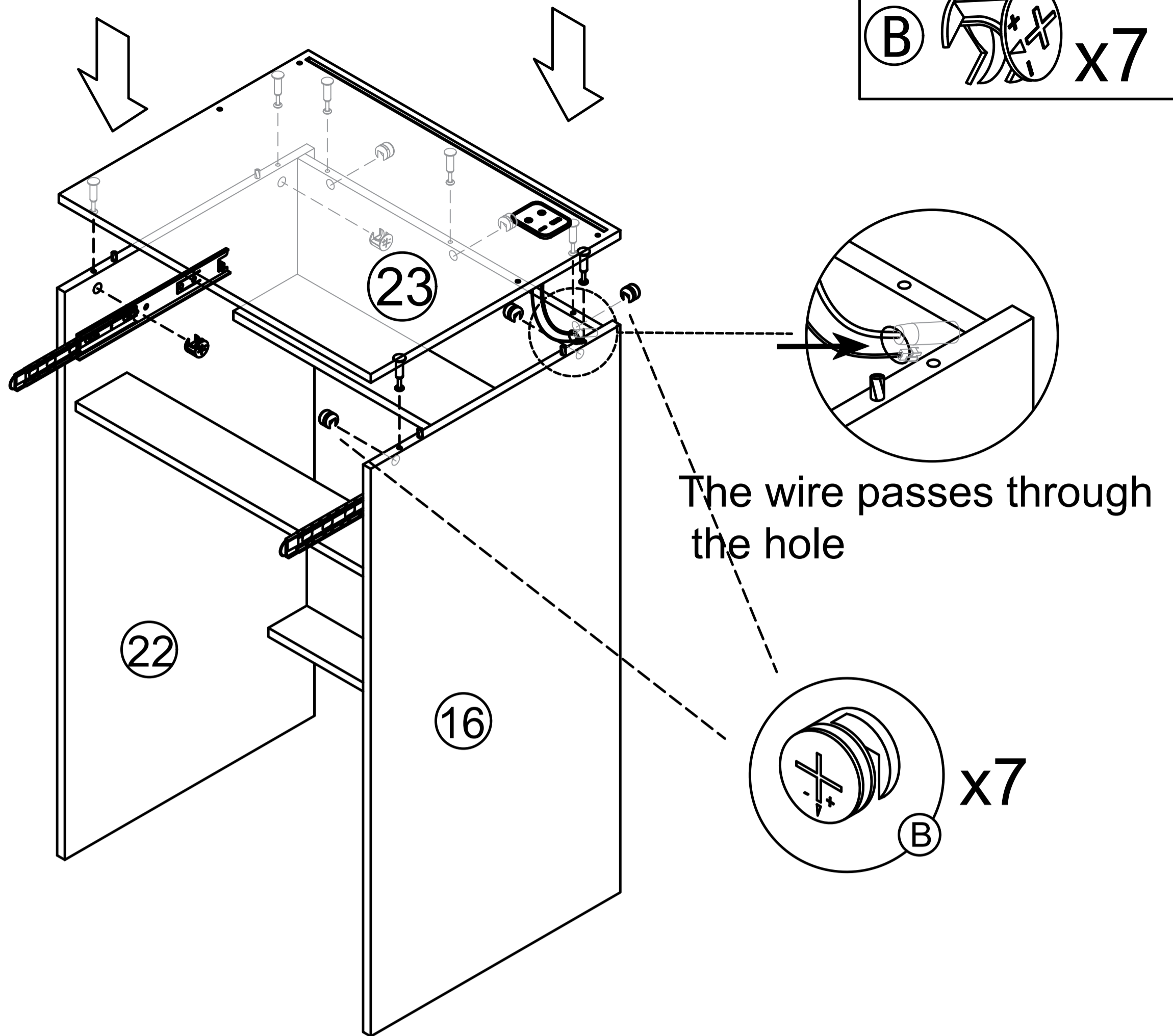


Step 46

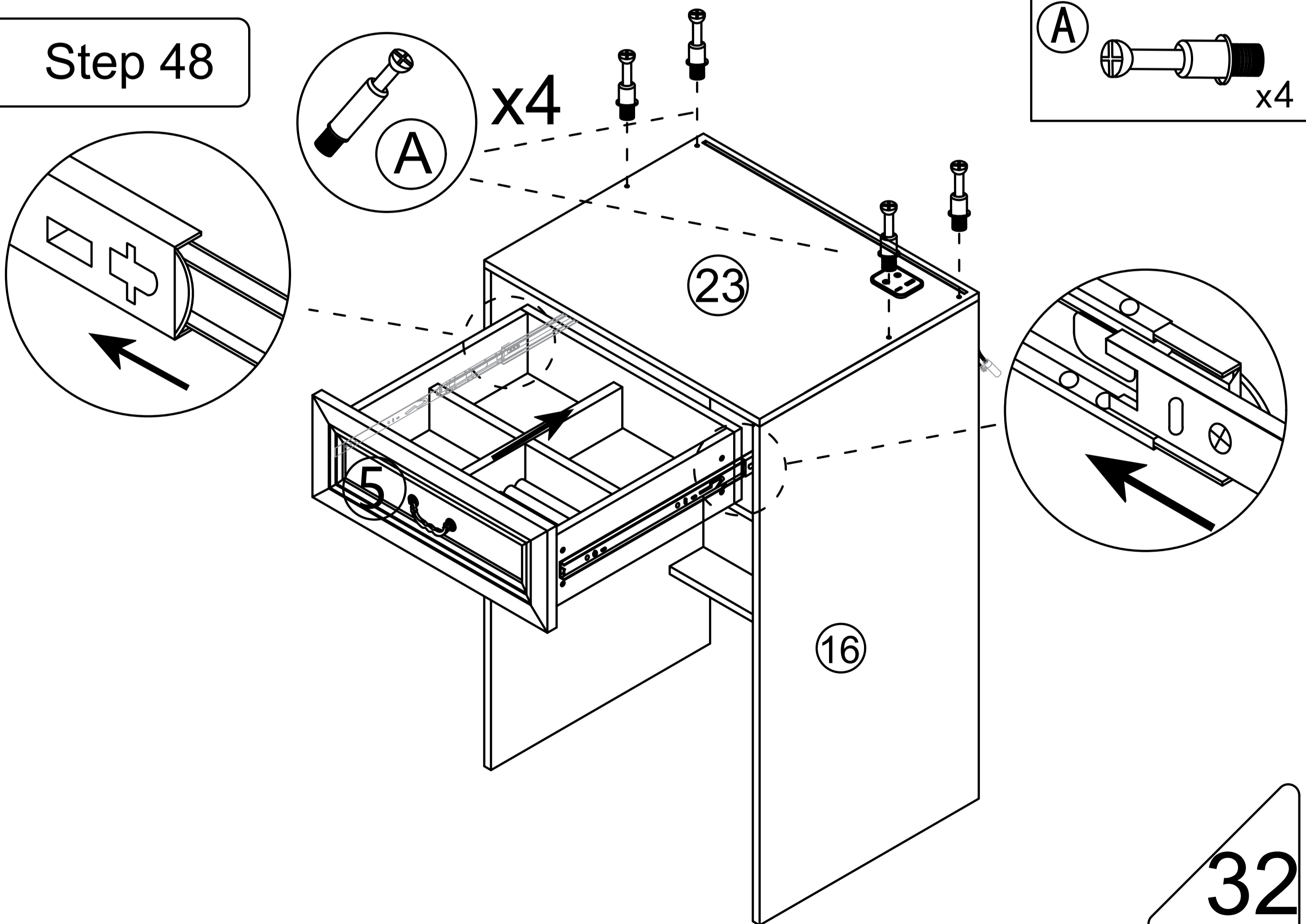


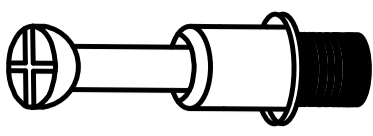
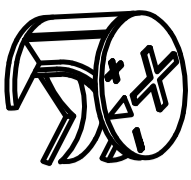

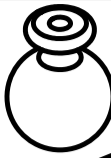

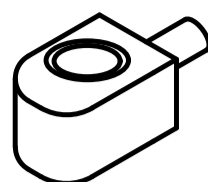





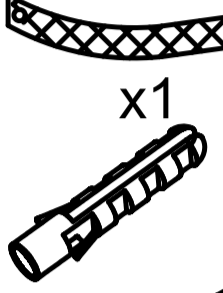
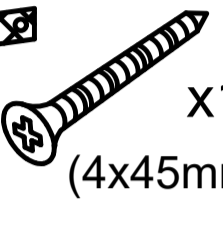


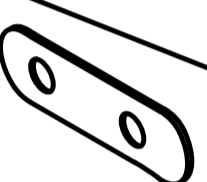

SY

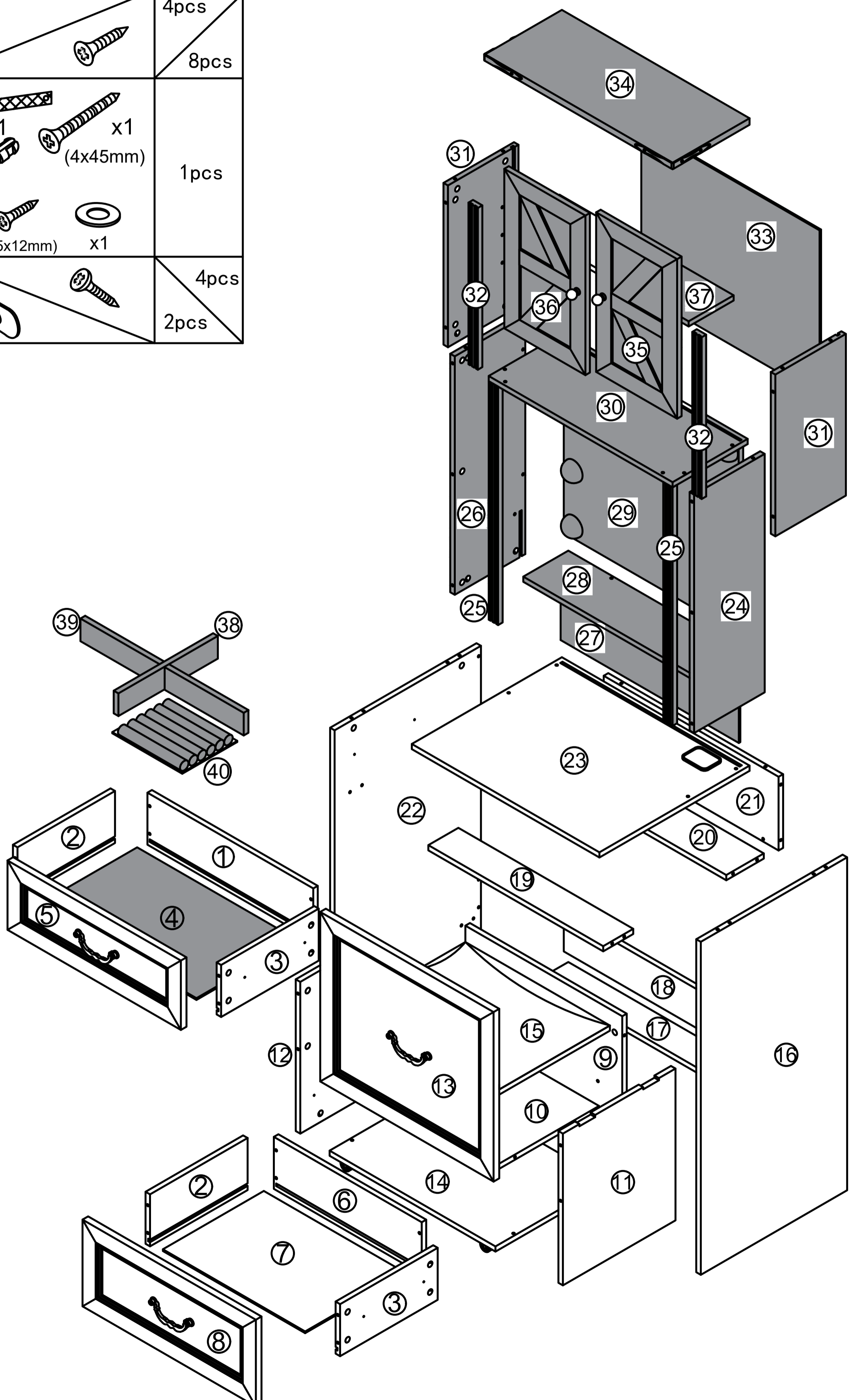
Step 47



Step 48



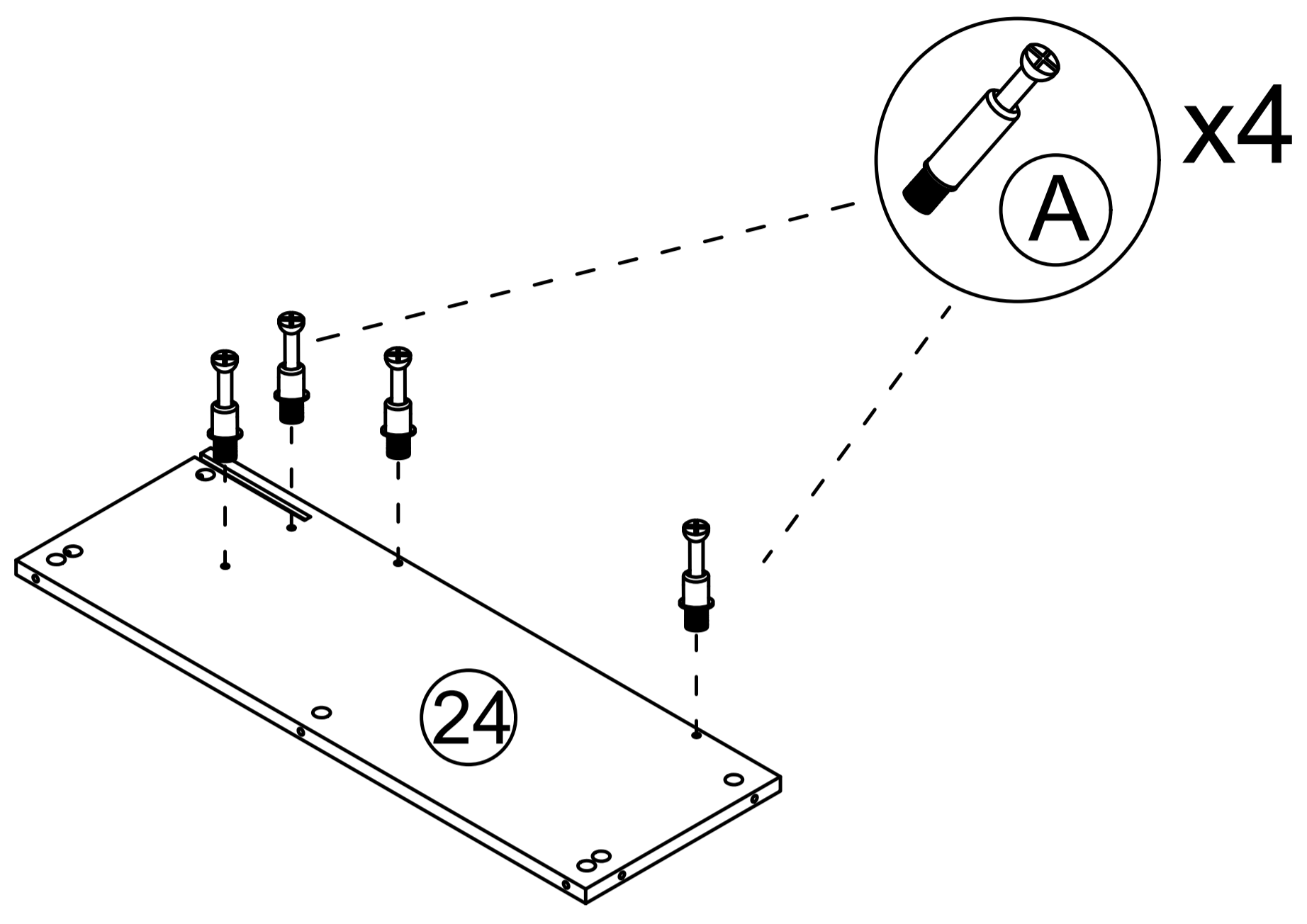
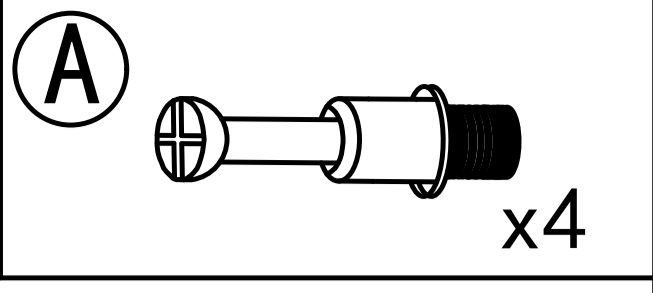
A		34pcs	B		38pcs	Q		2pcs
L		2pcs	I		10pcs	K		1pcs
O		1pcs	N		10pcs	M		4pcs
P		4pcs						6pcs
		8pcs						
R		x1		x1	1pcs			
		x1 (3.5x12mm)		x1				
F		4pcs						
		2pcs						



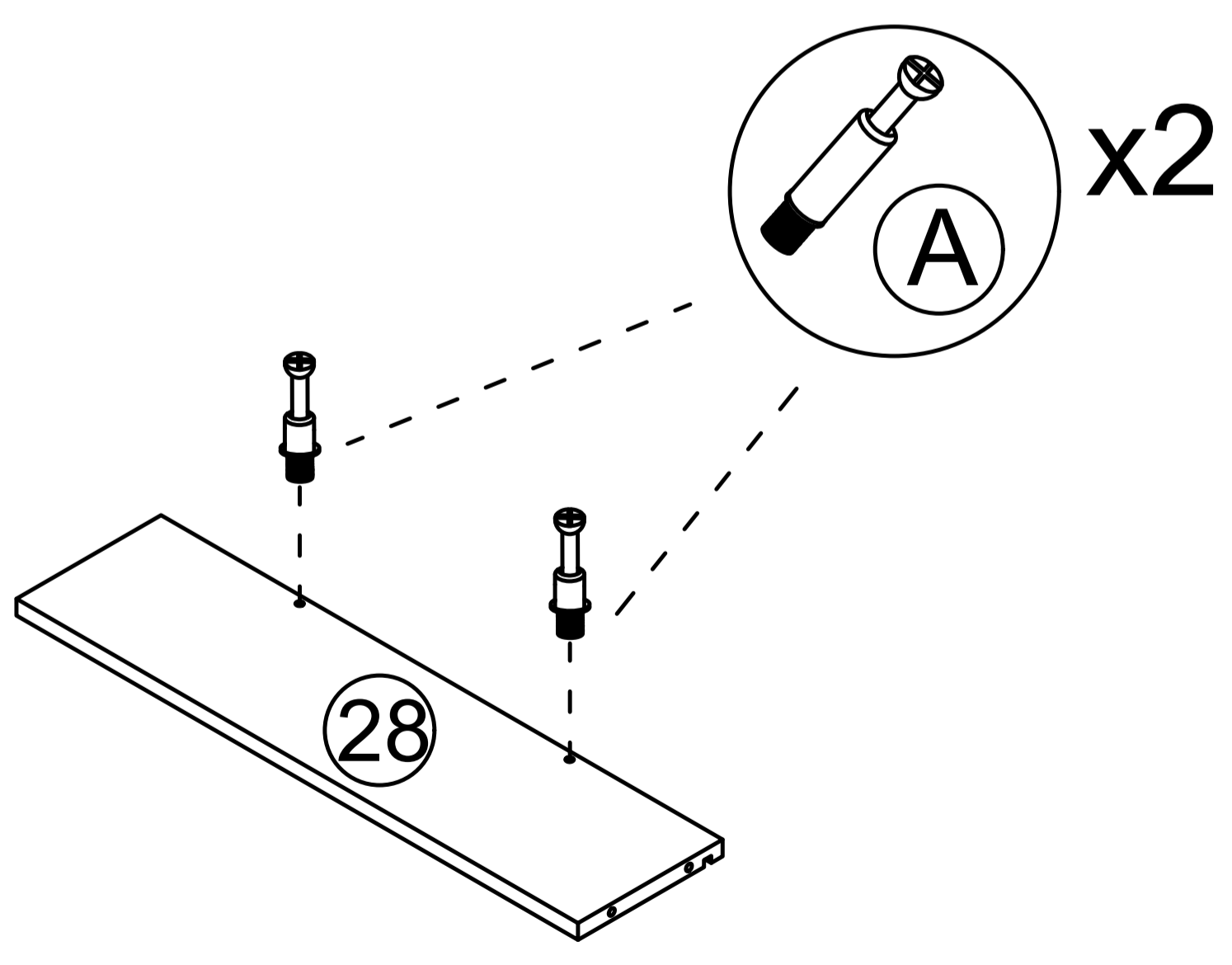
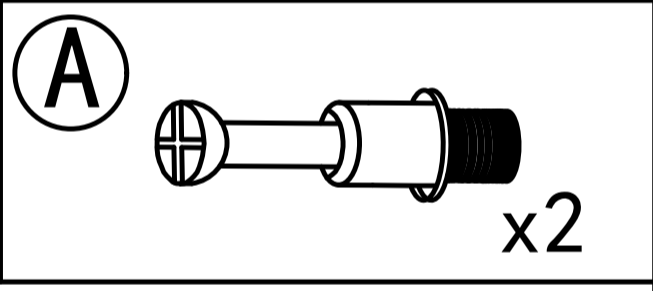
33

SY


Step 49

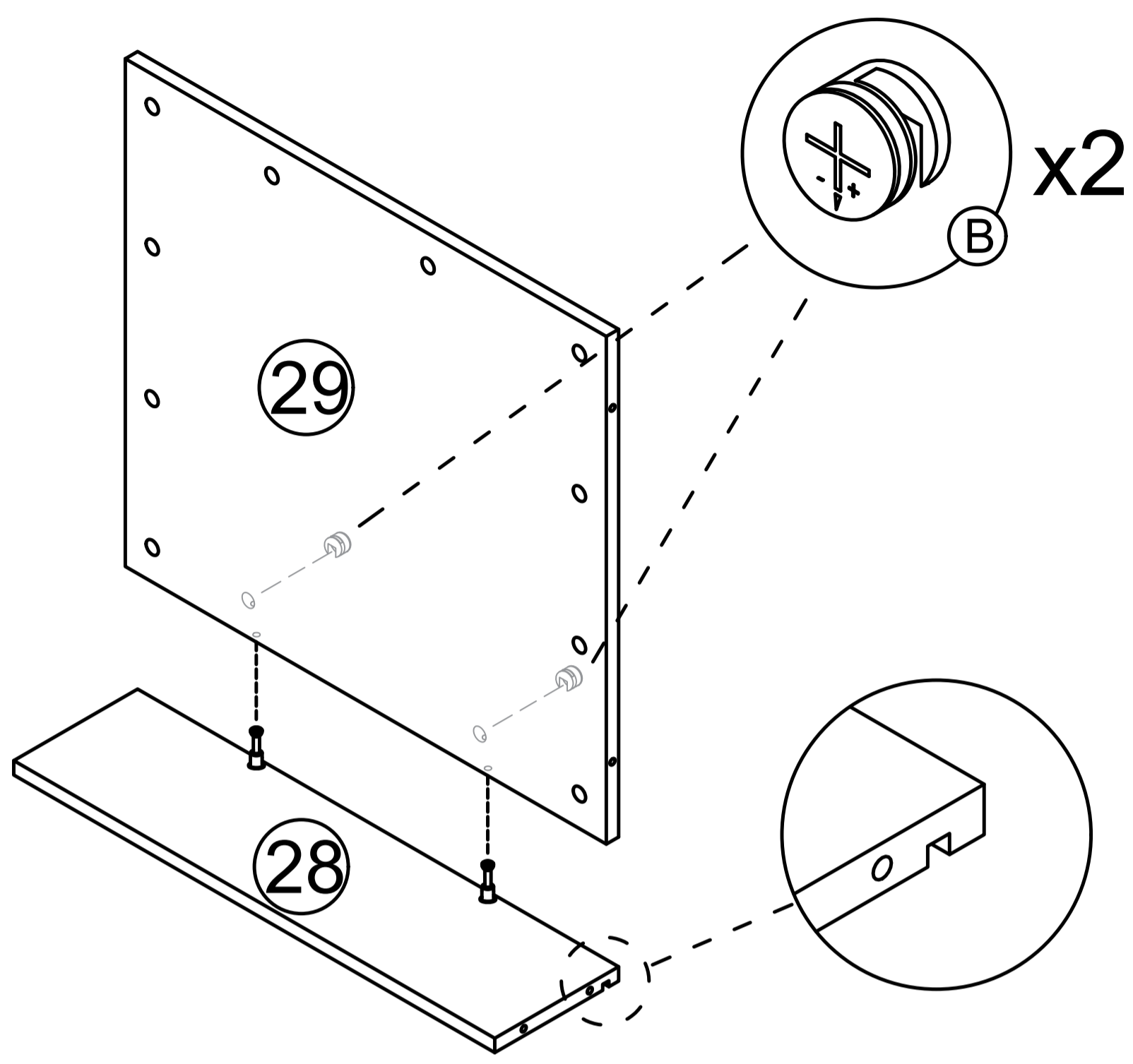


Step 50




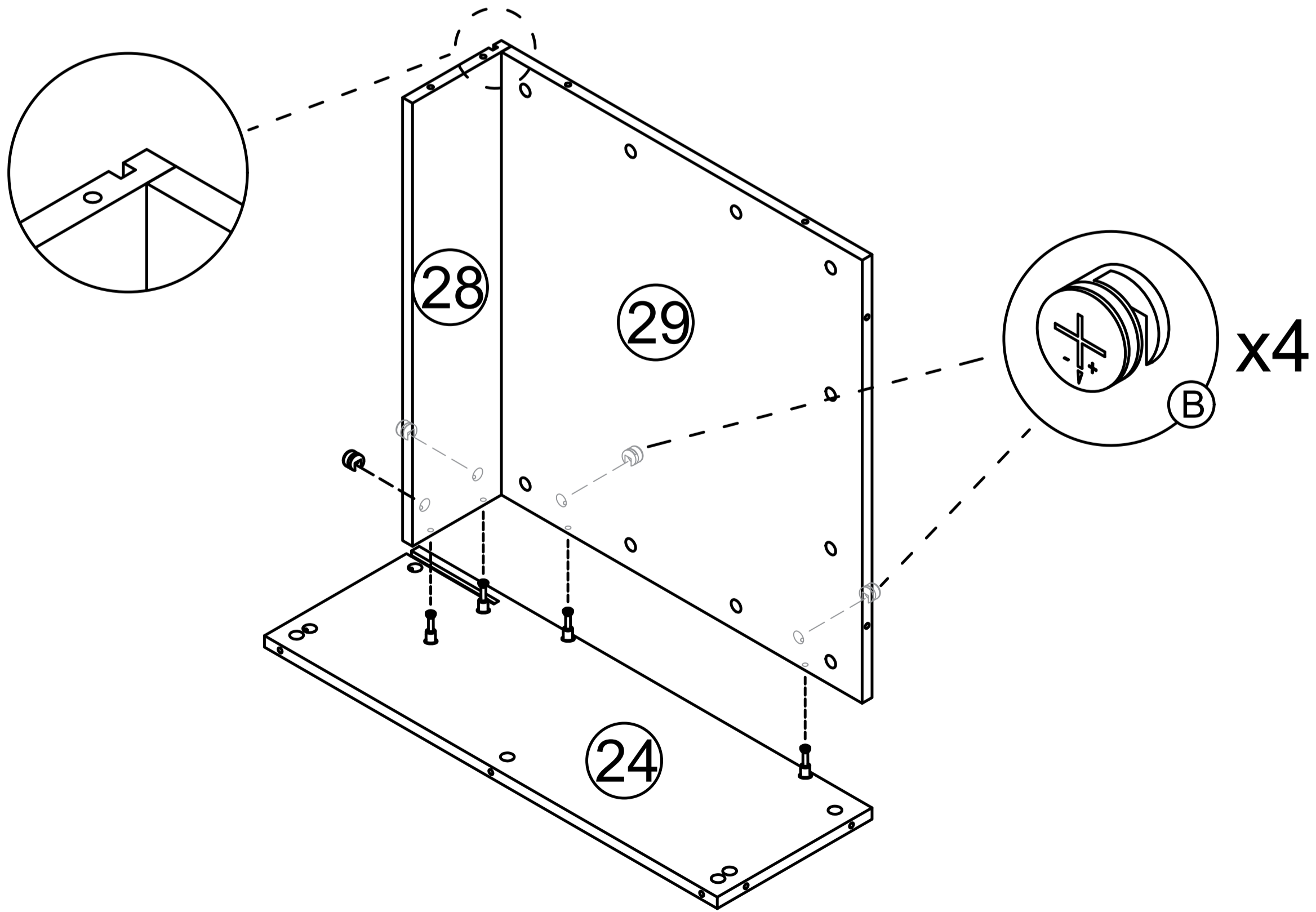
Step 51

(B)  x2

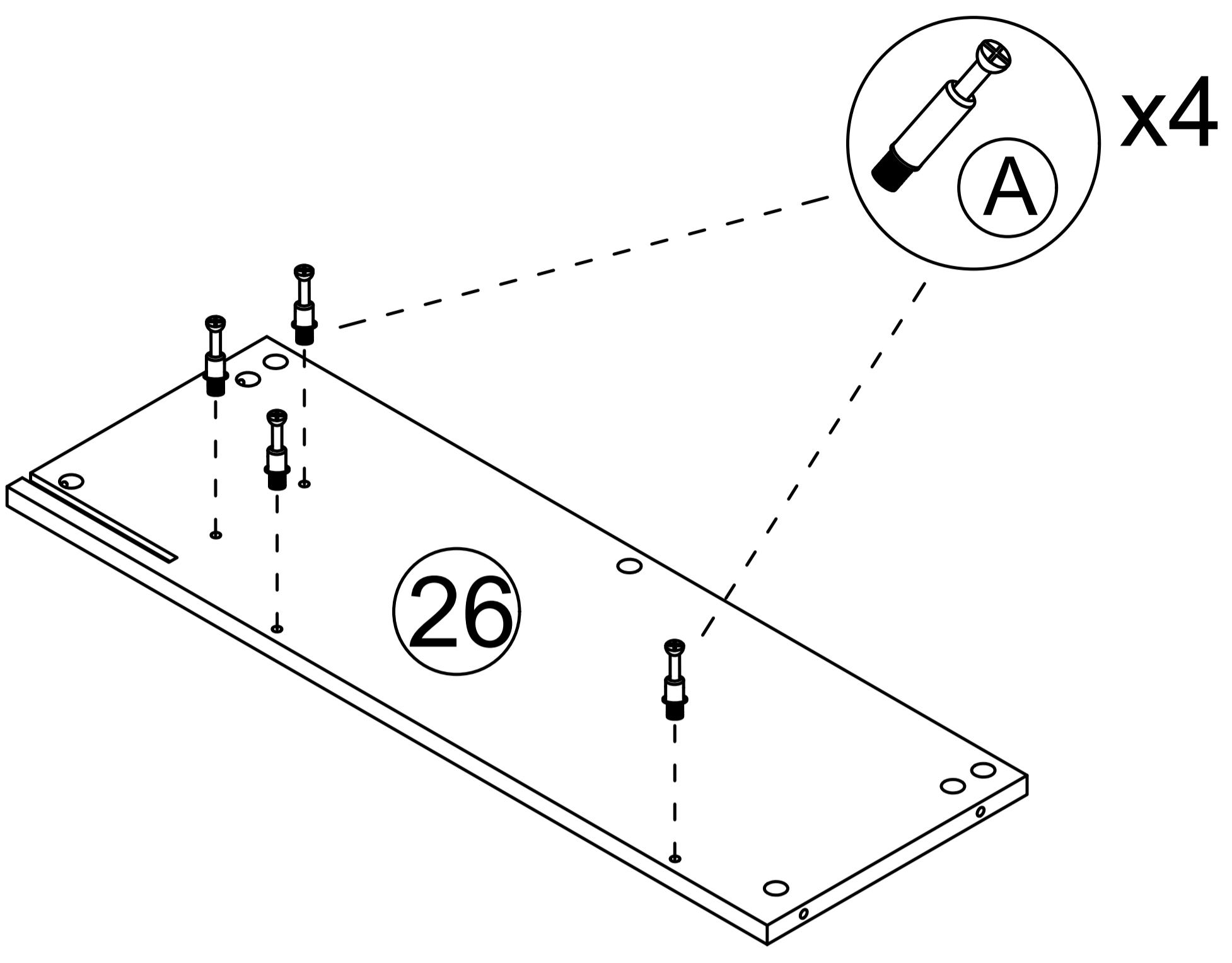
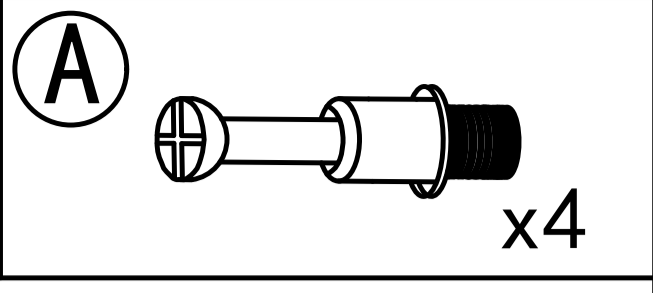


Step 52

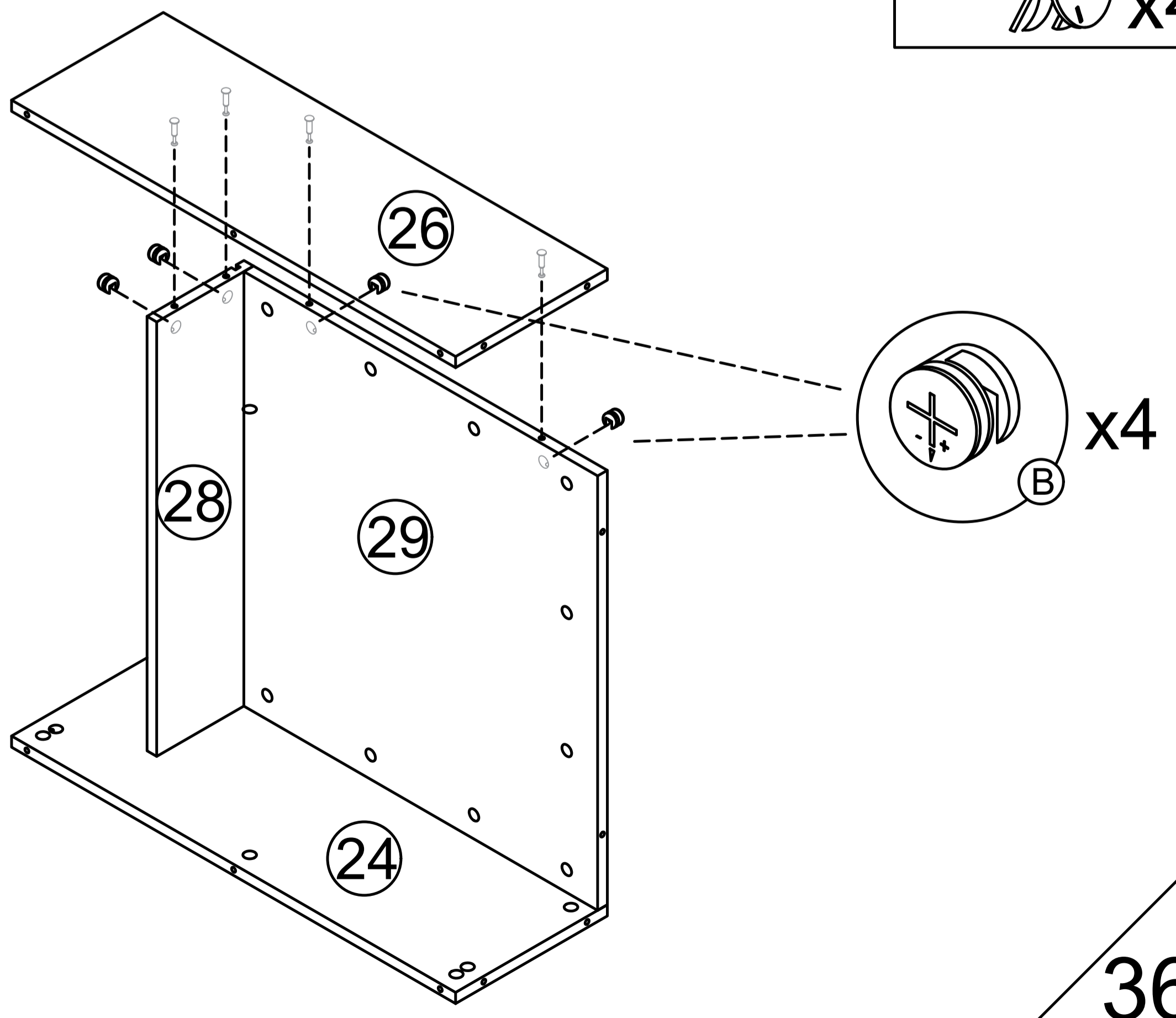
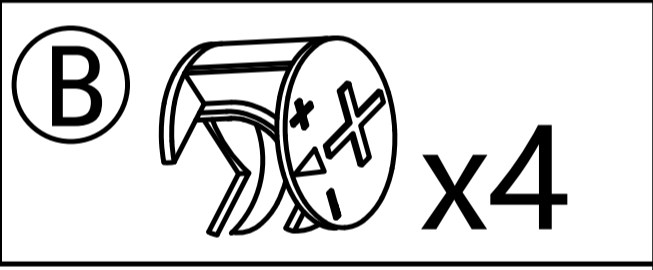
(B)  x4



Step 53



Step 54



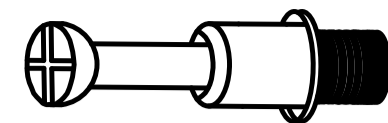
36

SY

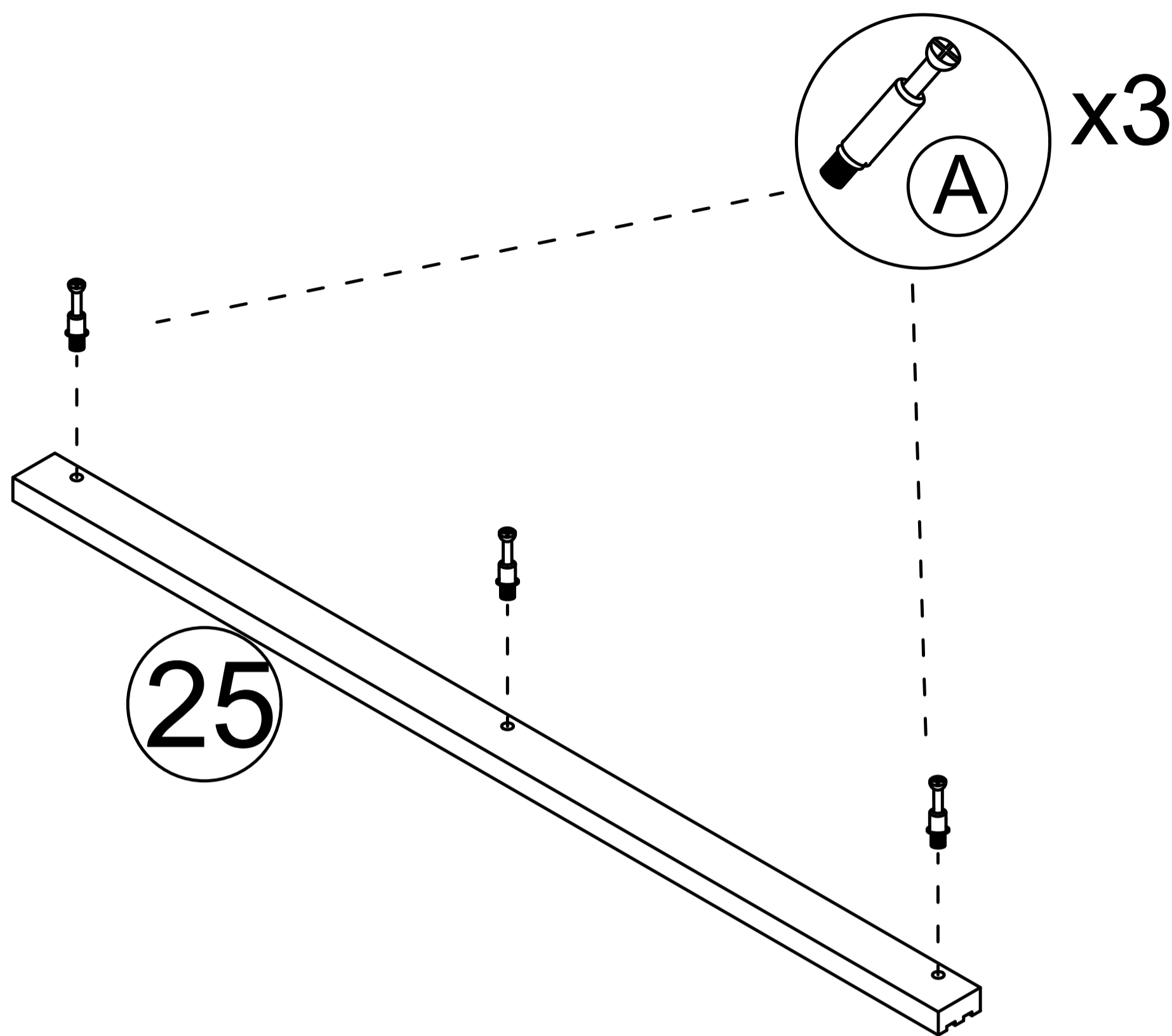
Step 55

x2

A

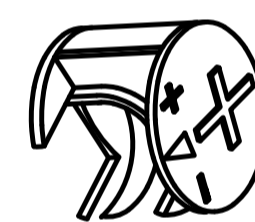


x3



Step 56

B

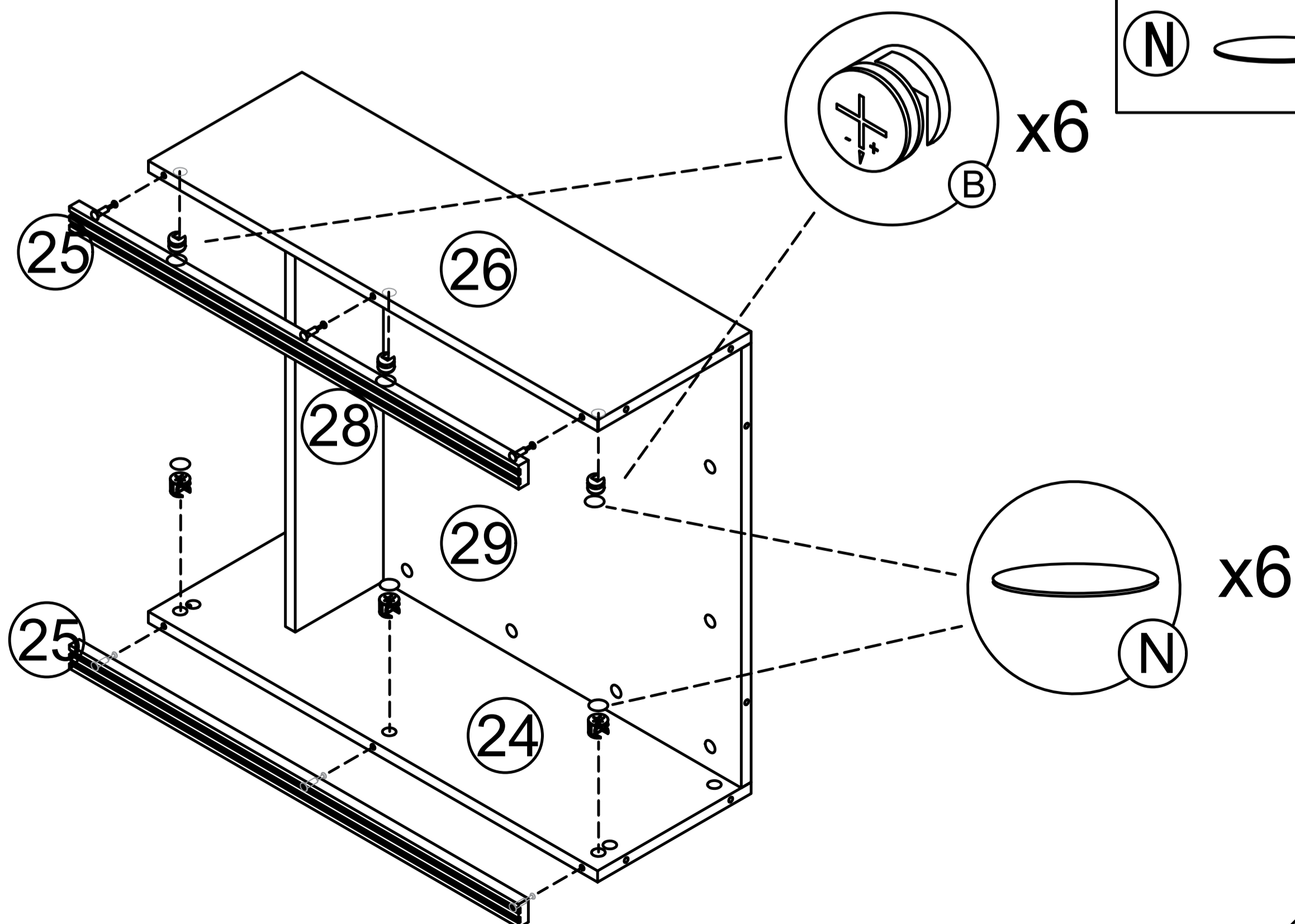


x6

N



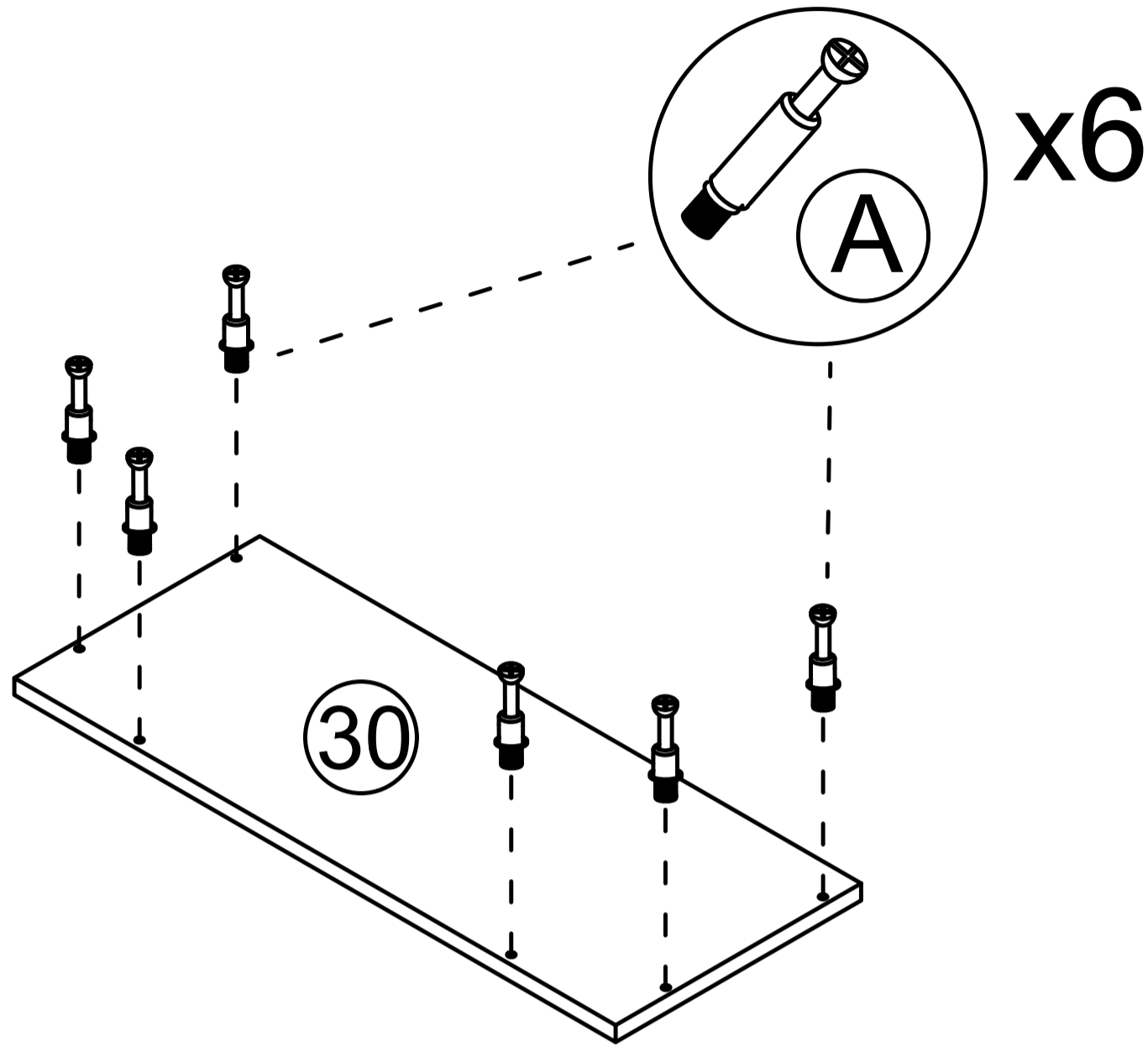
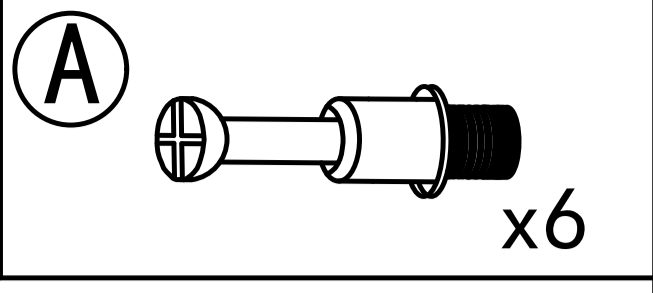
x6



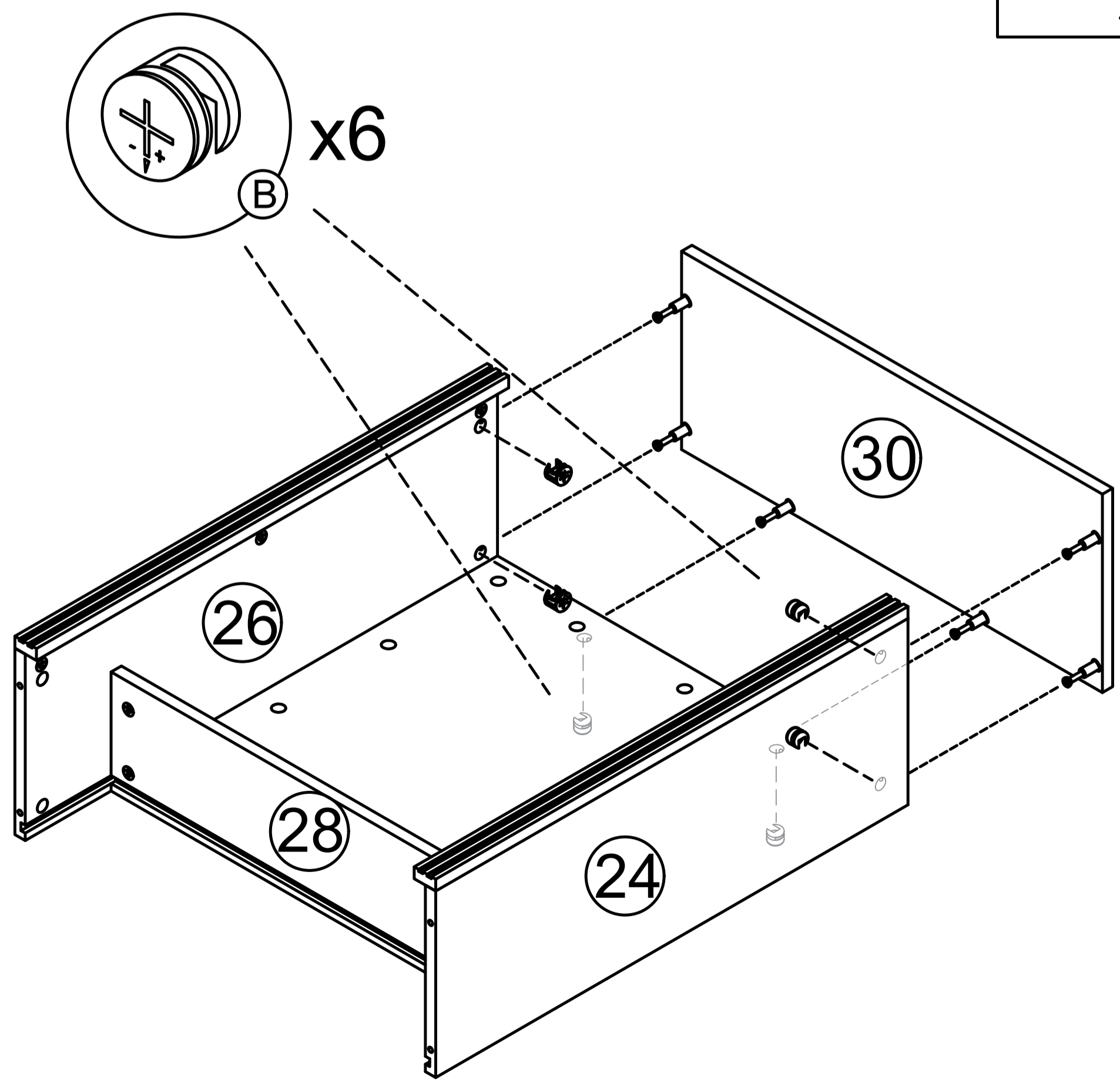
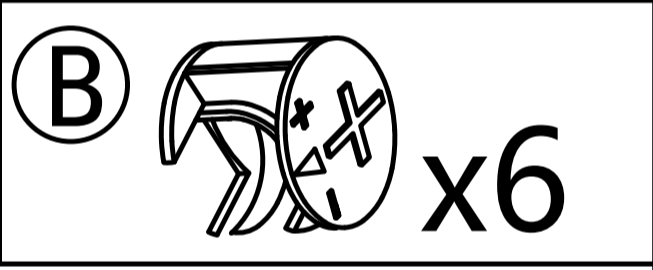
37

SY

Step 57



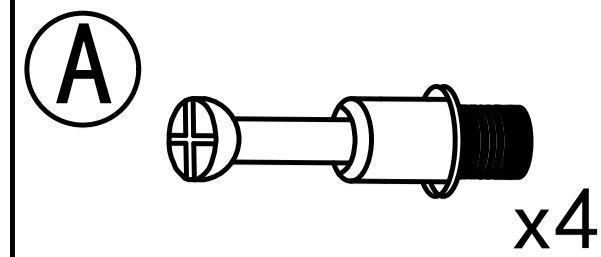
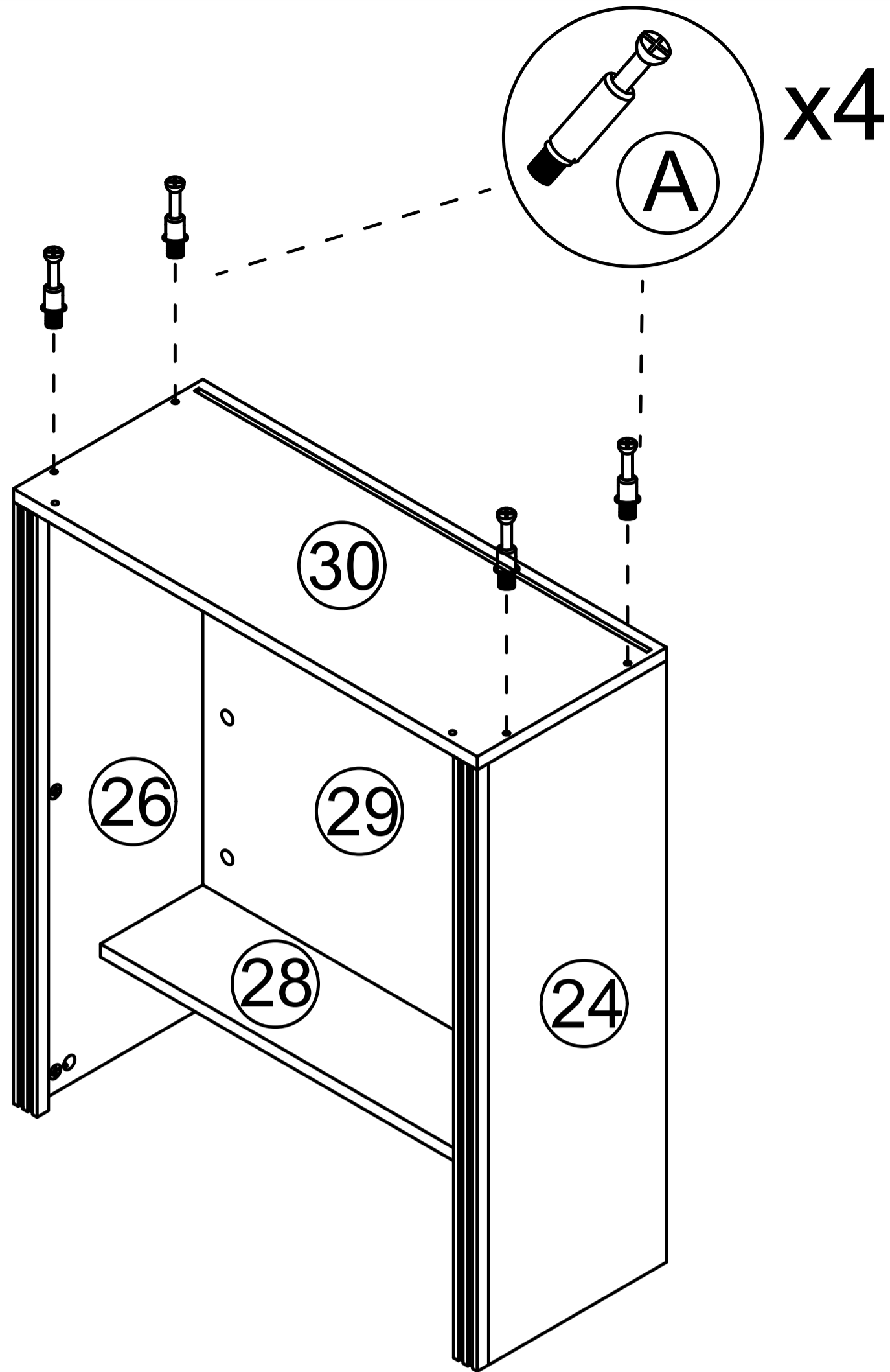
Step 58



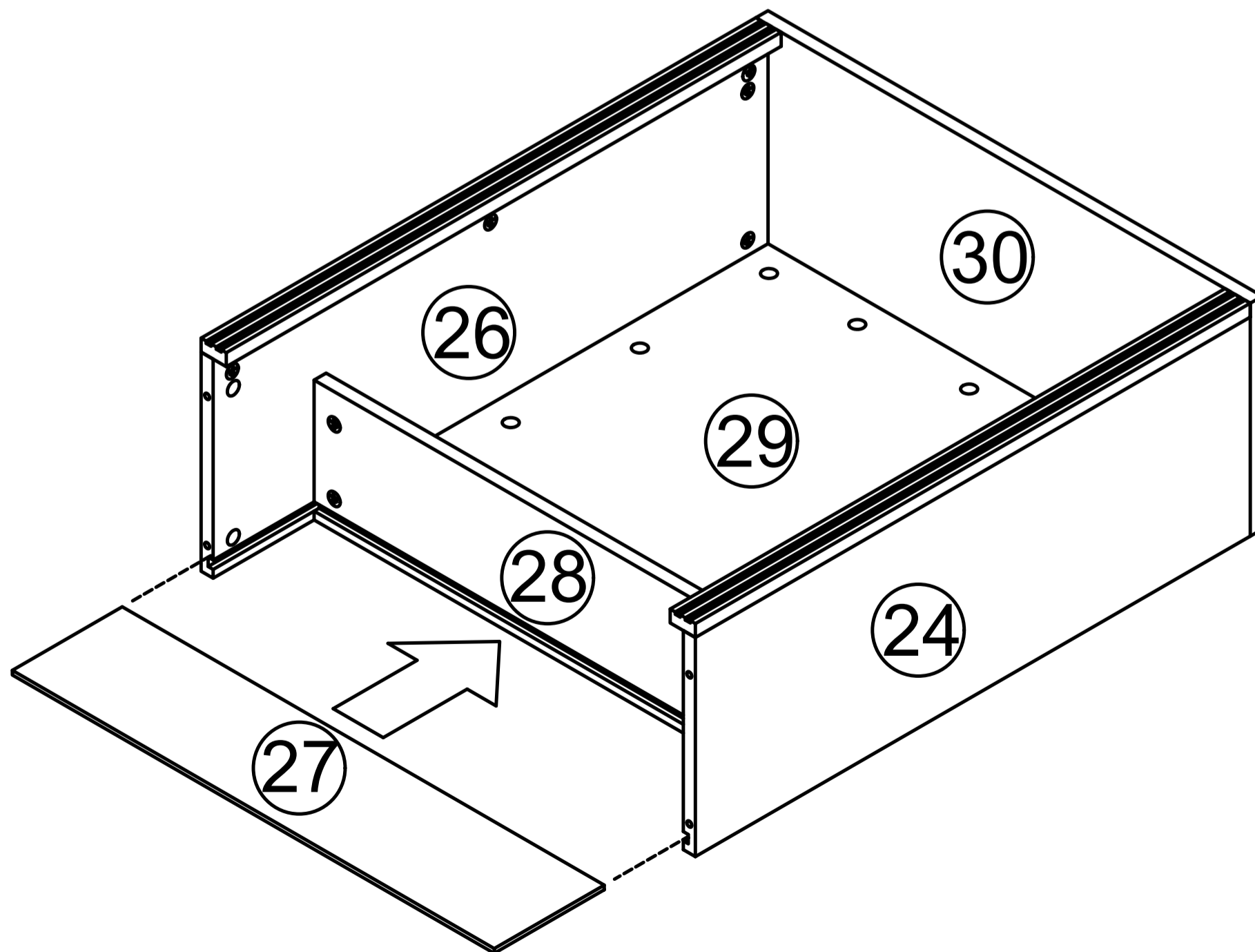
38

SY

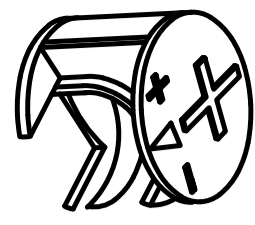

Step 59

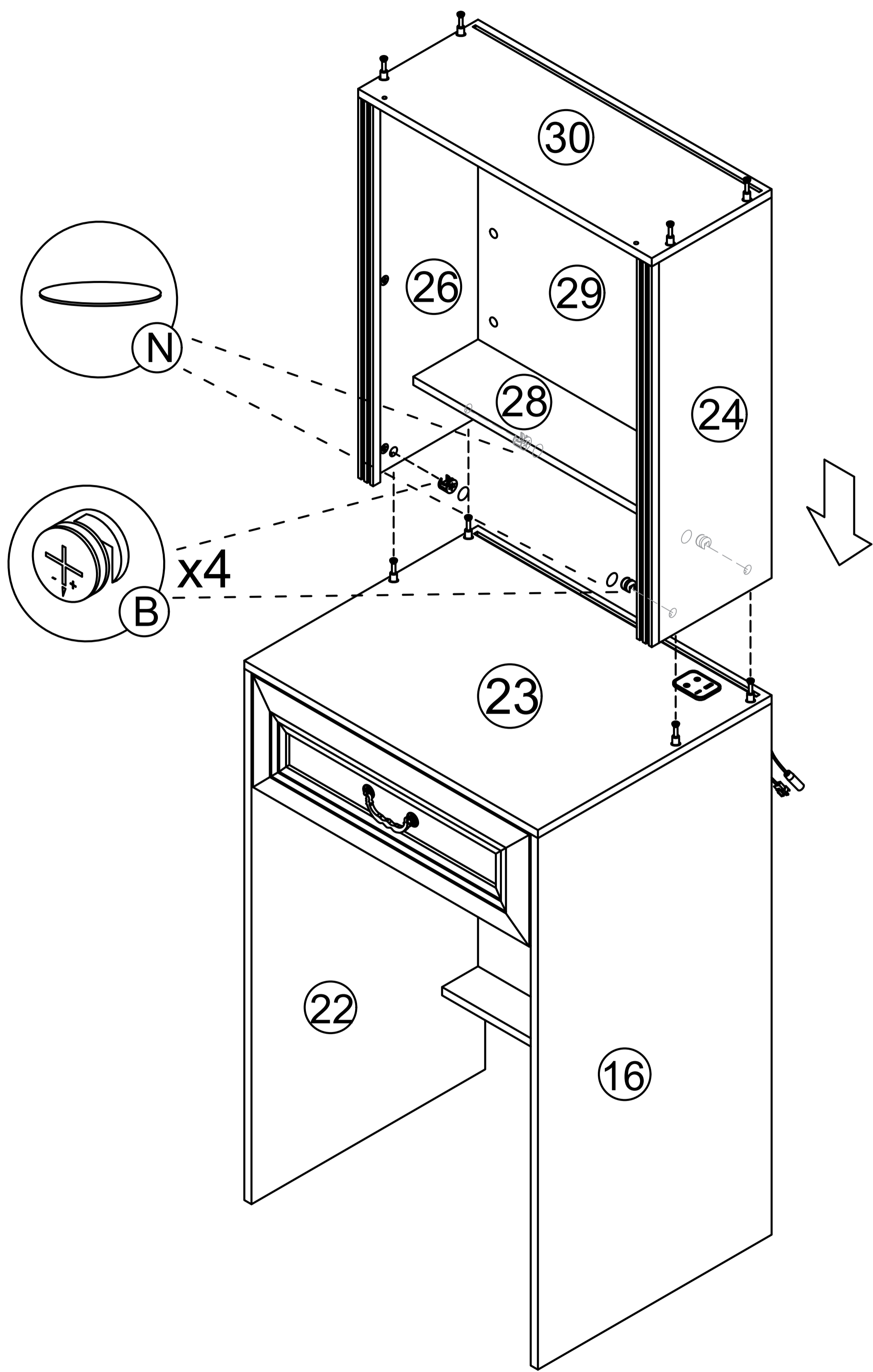


Step 60



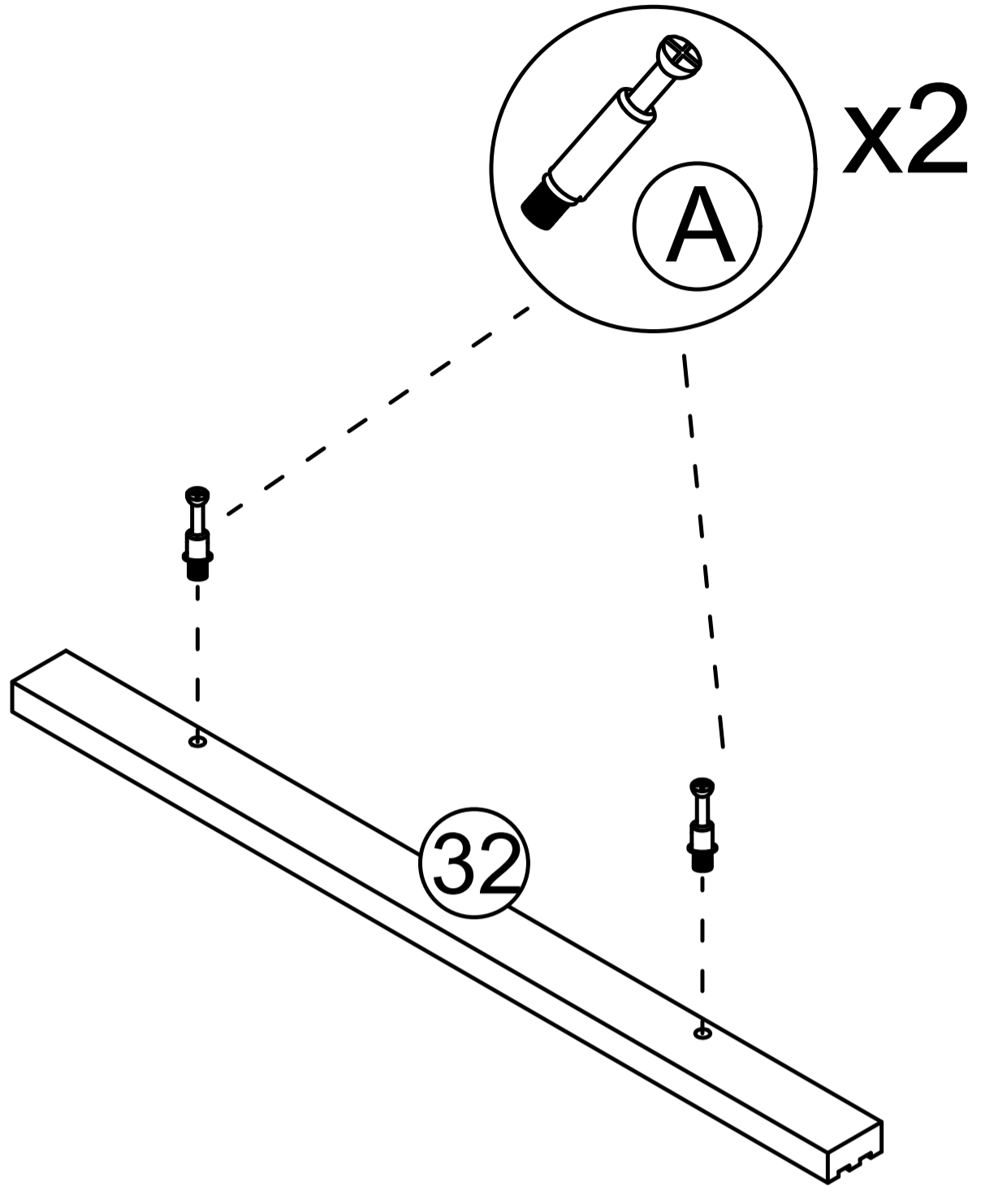
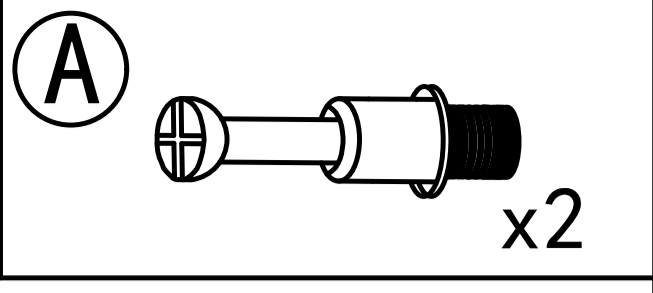
Step 61

- (B)  x4
- (N)  x4



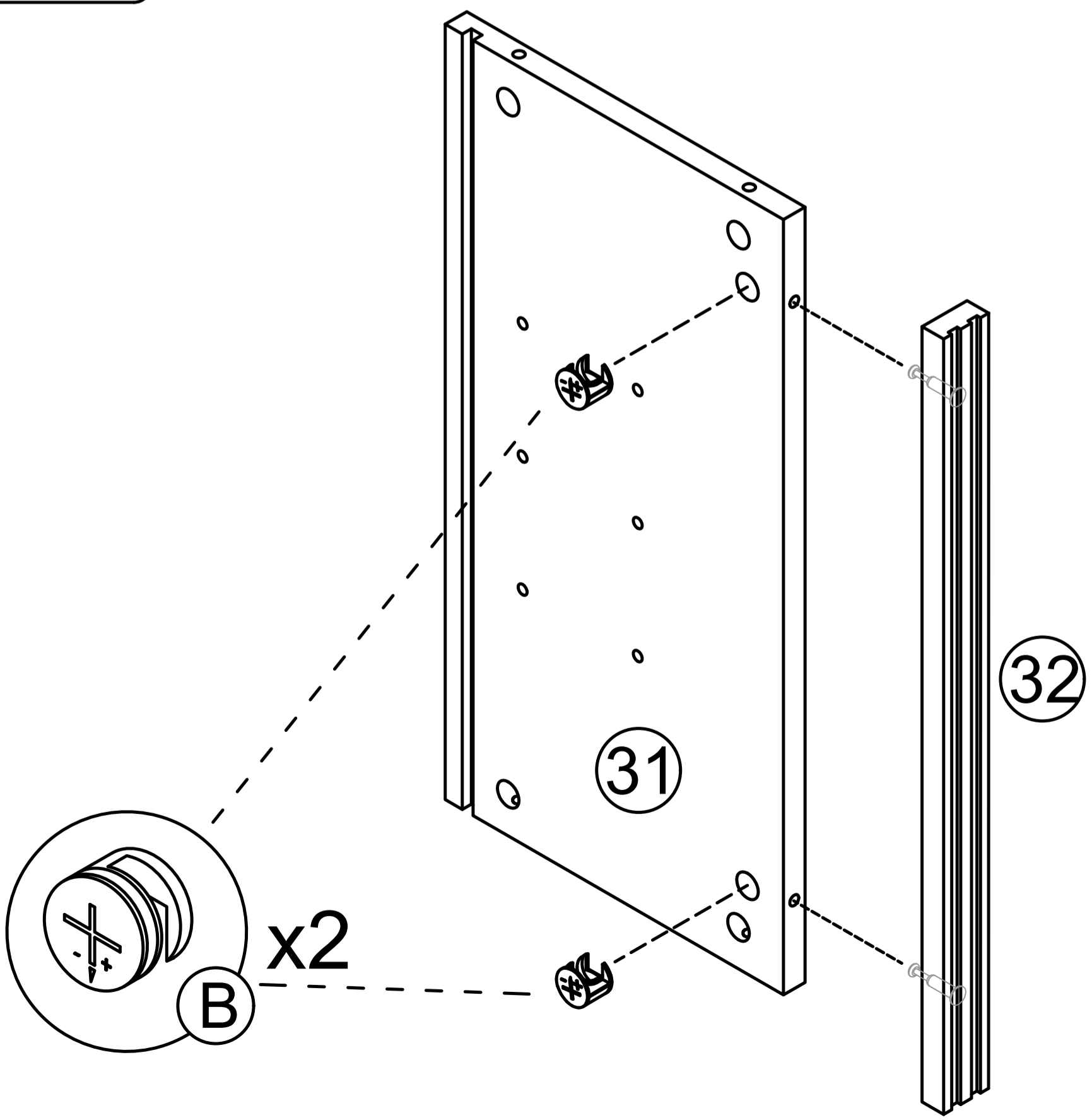
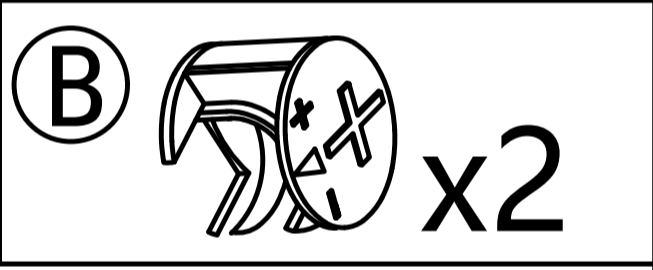
Step 62

x2



Step 63

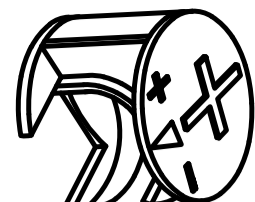
x2

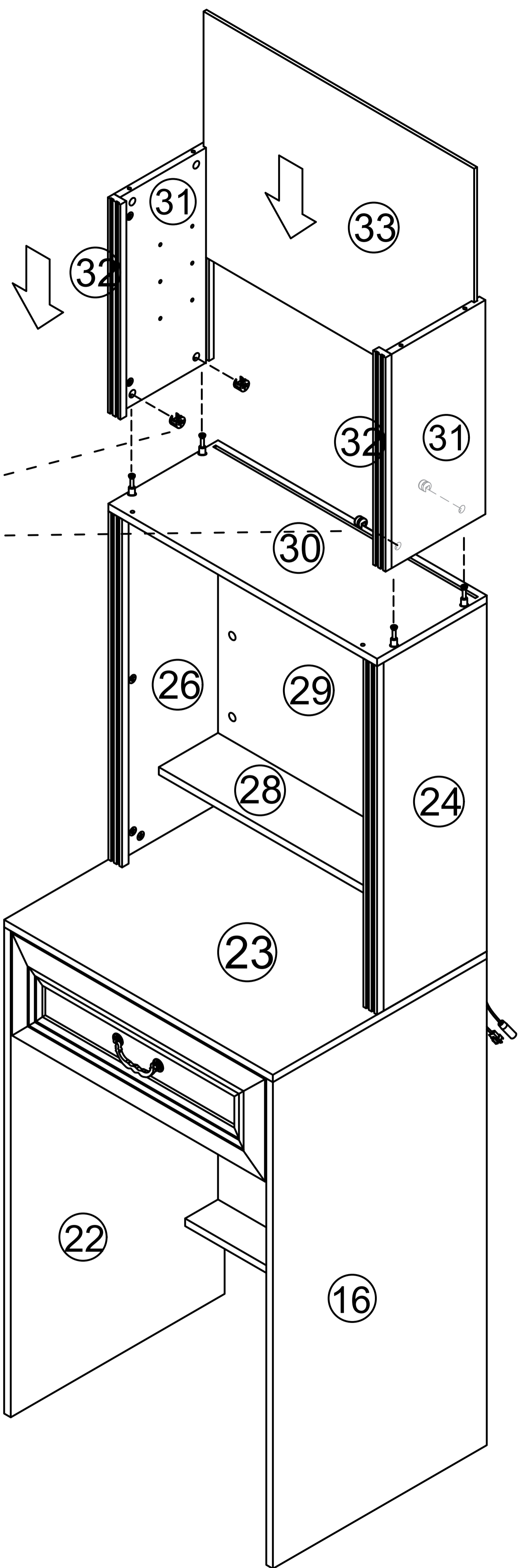
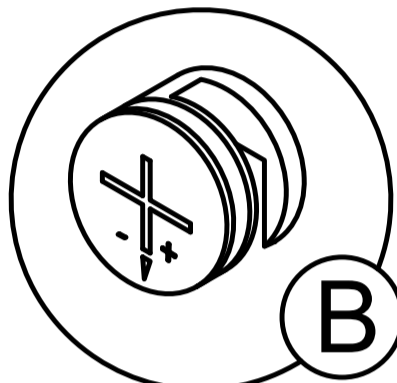


41


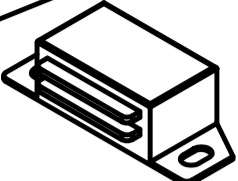
SY


Step 64

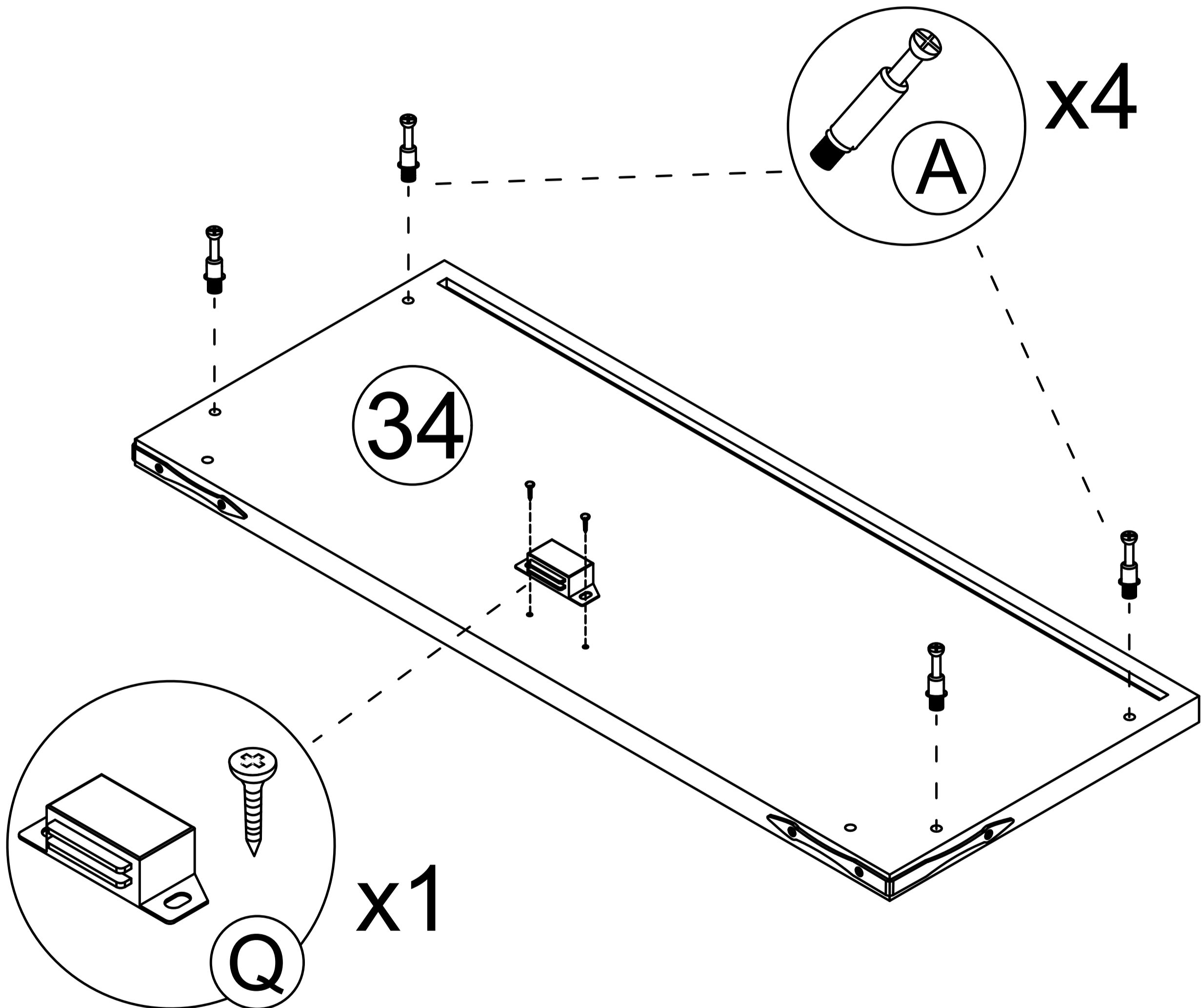
(B)  x4



Step 65

Q  x2 

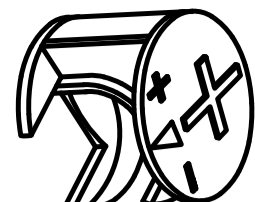
A  x4

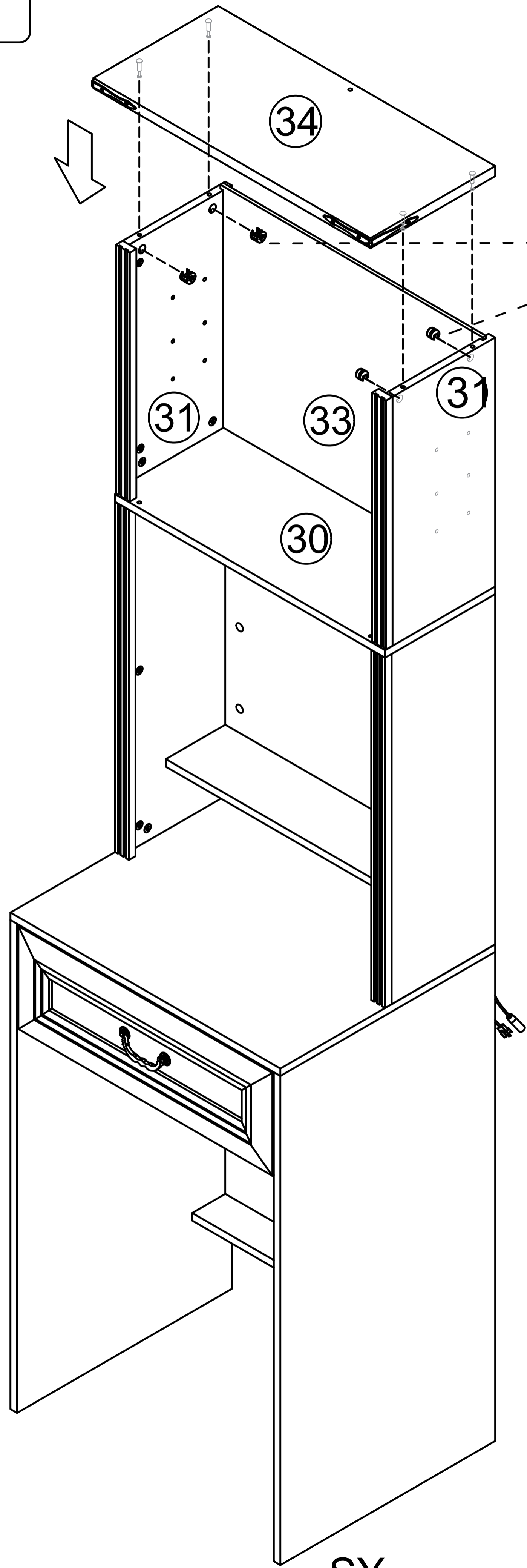


43

SY

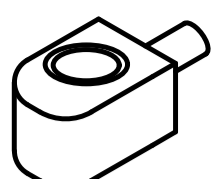
Step 66

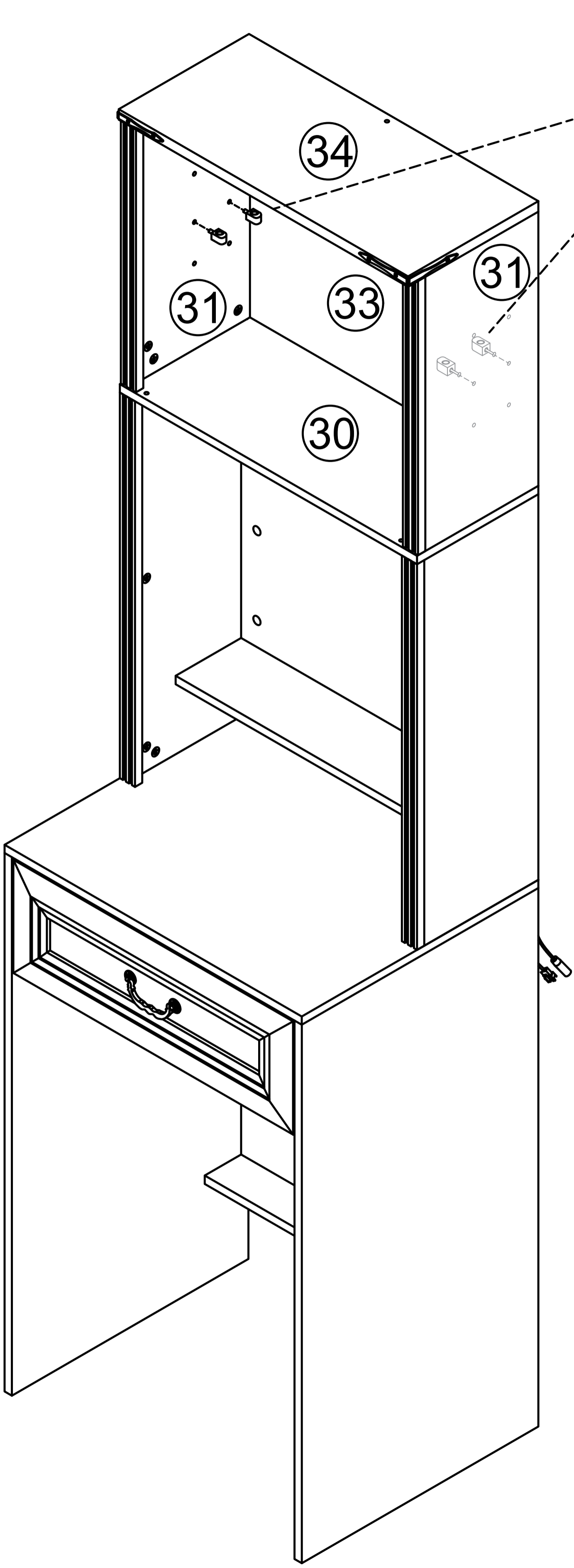
(B)  x4



SY

Step 67

(K)  x4

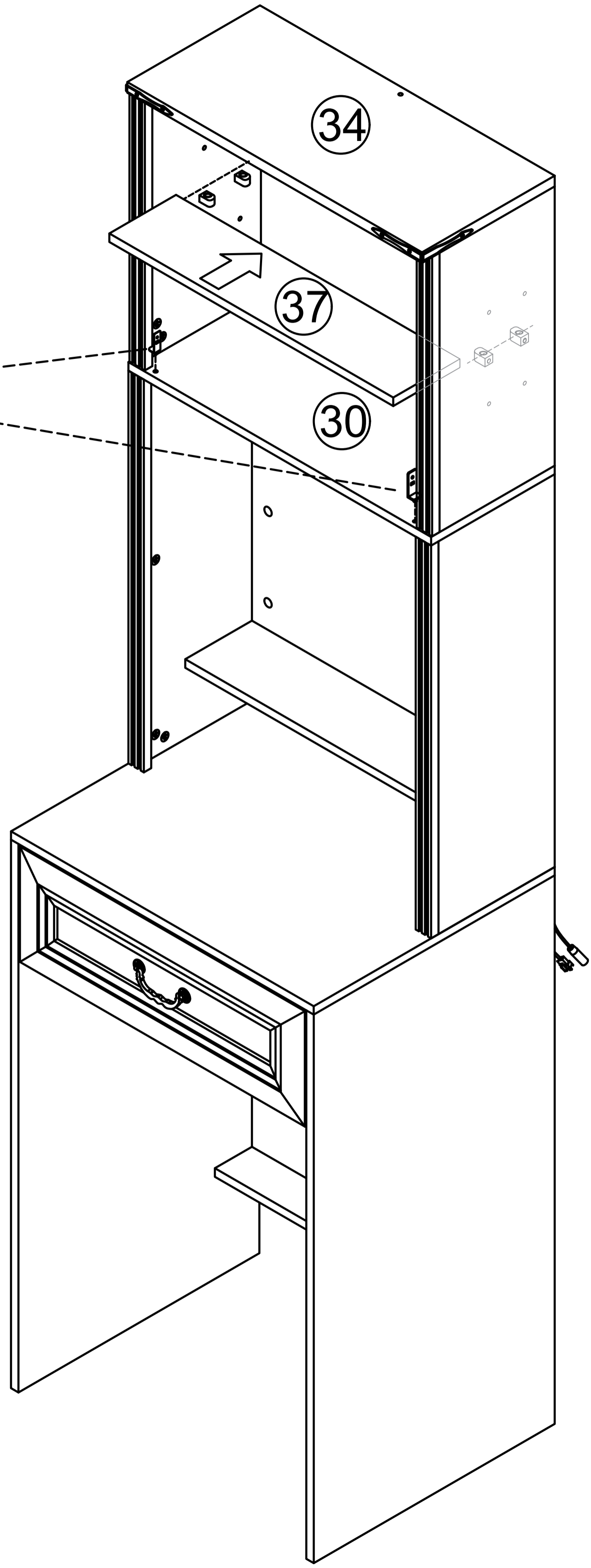
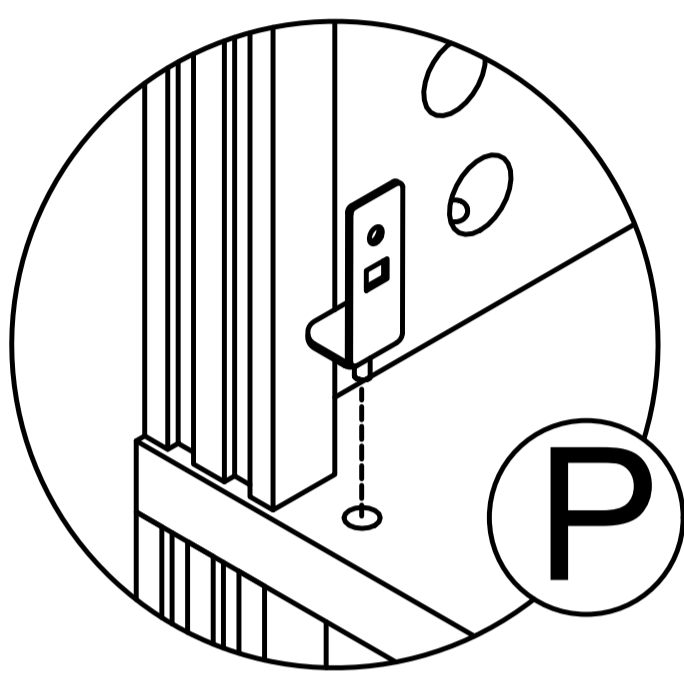
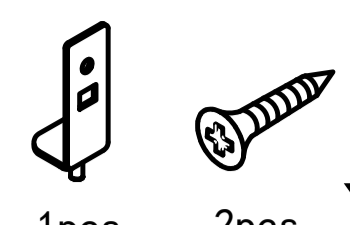


45

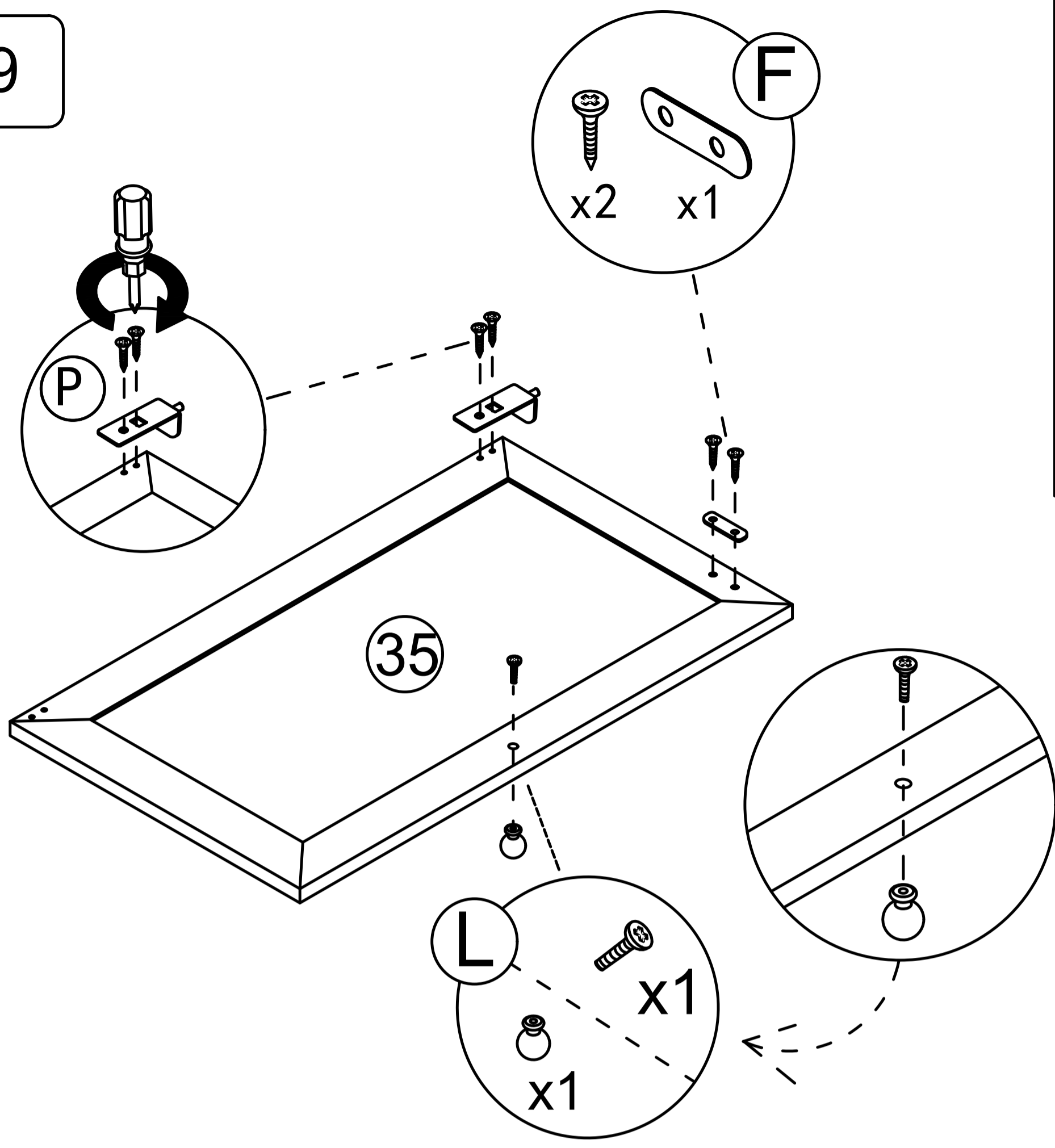
SY

Step 68

(P) 1pcs 2pcs x2

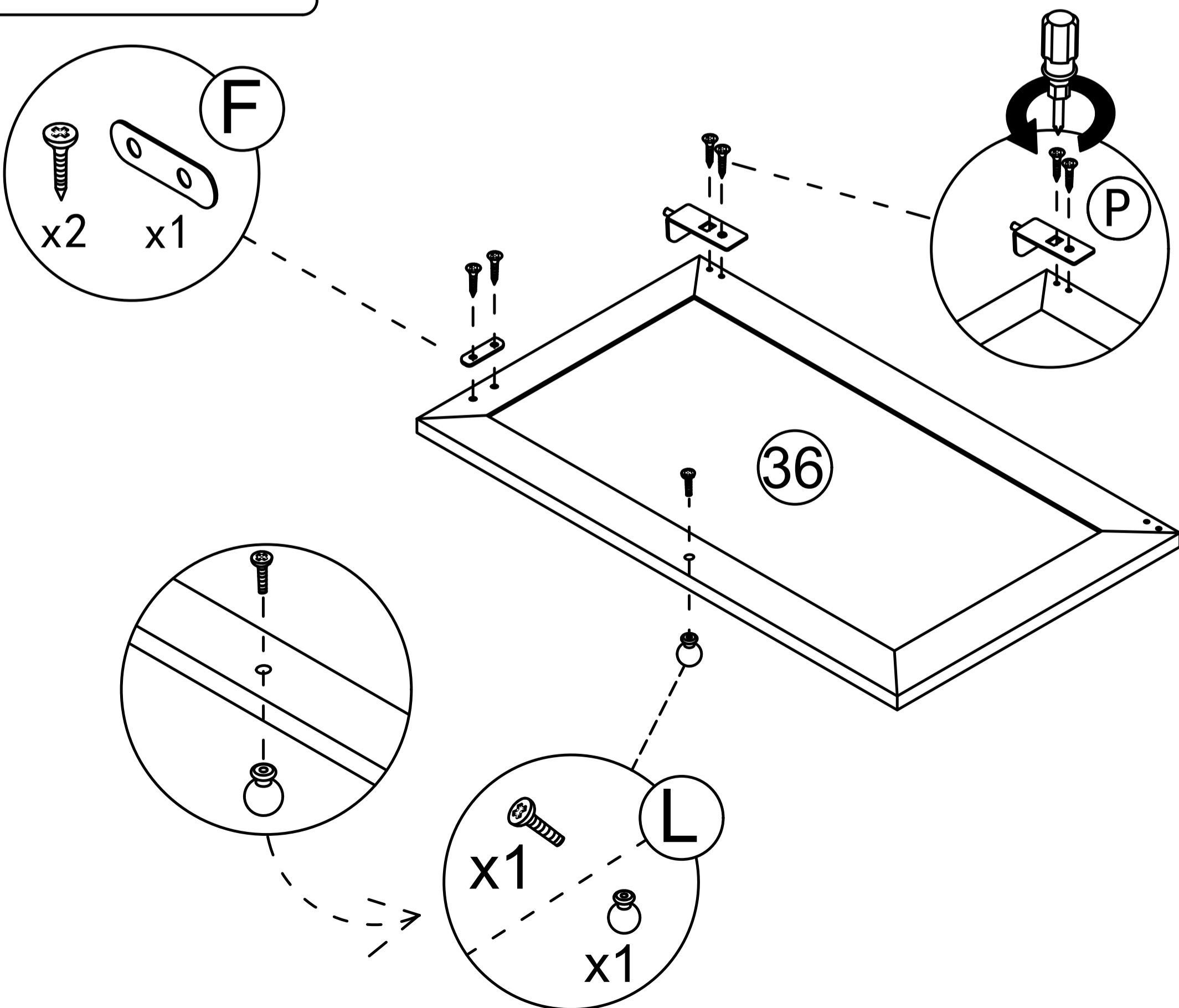


Step 69




- | | | | | | |
|-----|--|------|--|------|-----------|
| (P) | | 1pcs | | 2pcs | x1 |
| (L) | | x1 | | x1 | |
| (F) | | x1 | | x2 | |

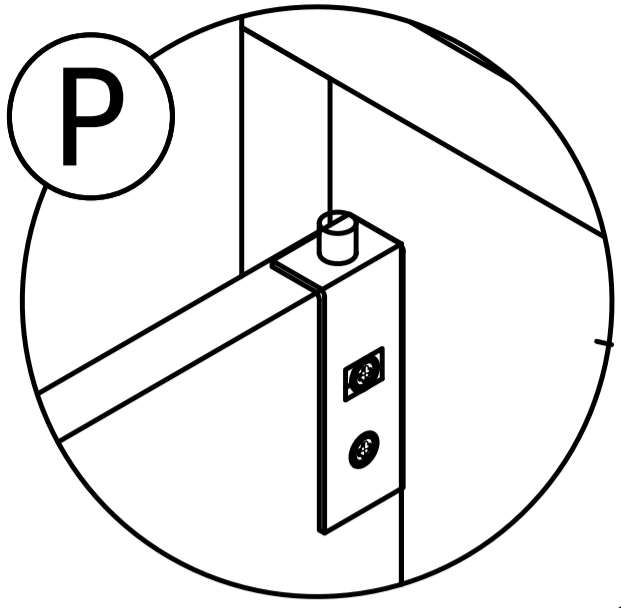
Step 70



- | | | | | | |
|-----|--|------|--|------|-----------|
| (P) | | 1pcs | | 2pcs | x1 |
| (L) | | x1 | | x1 | |
| (F) | | x1 | | x2 | |

Step 71

(P)  2pcs x2

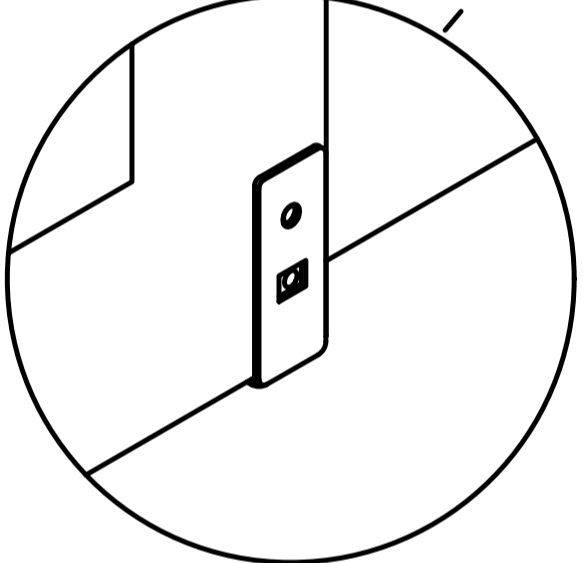


First

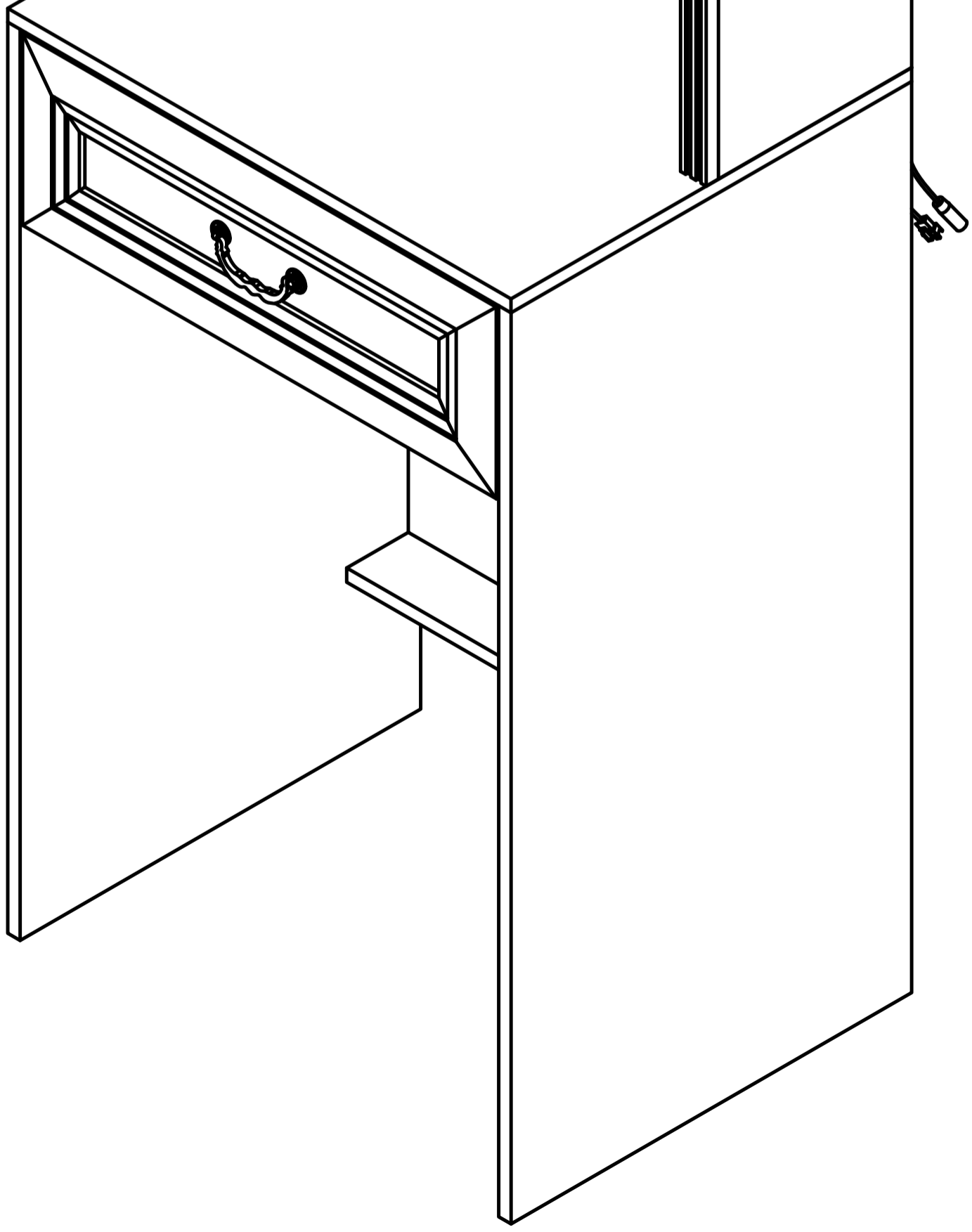
36

34


35

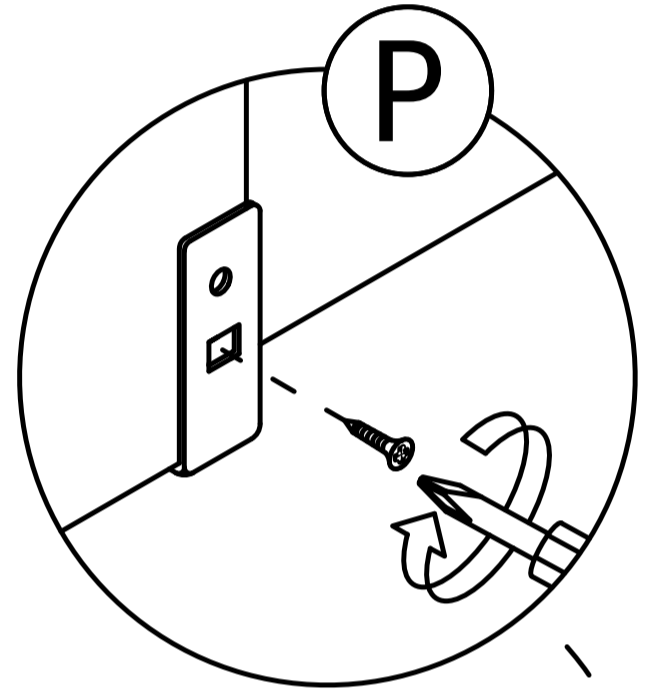


Second

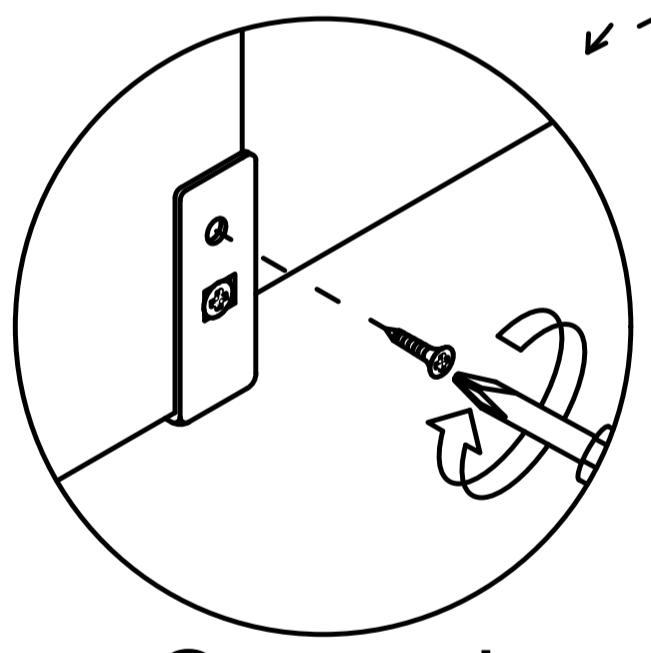


Step 72

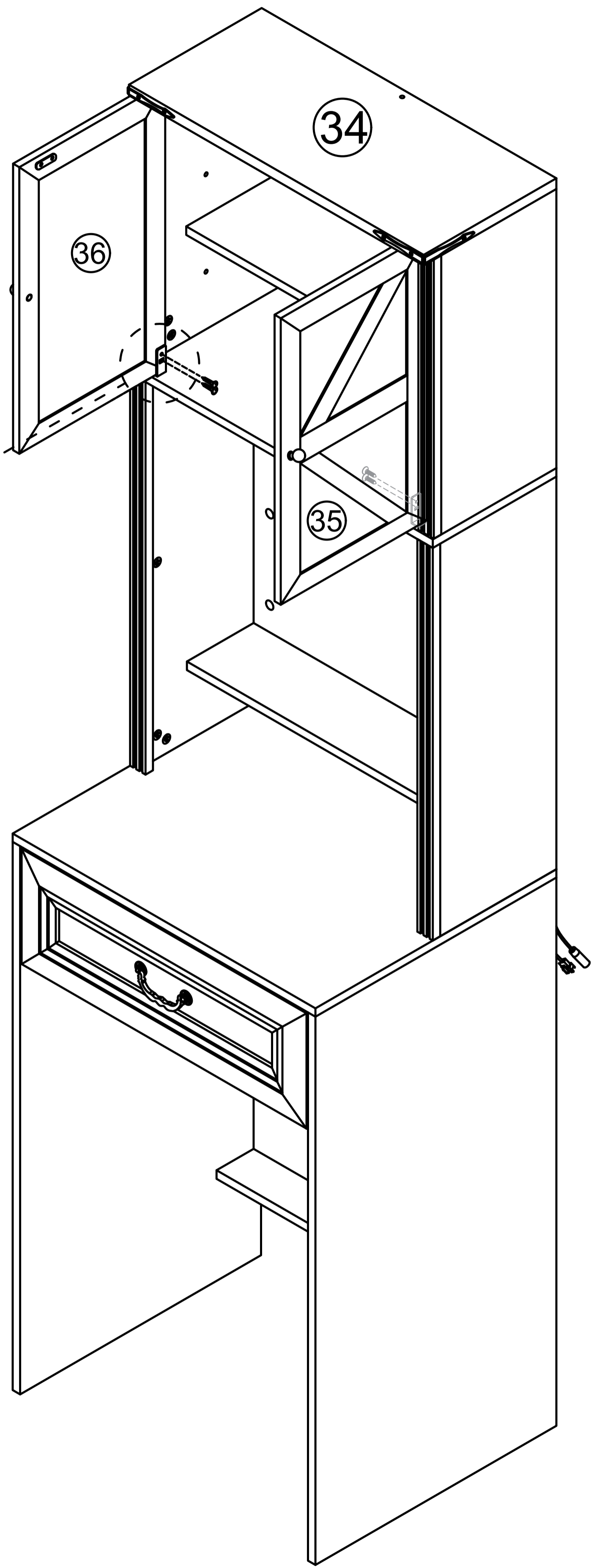
(P)  2pcs x2



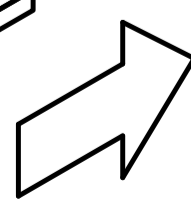
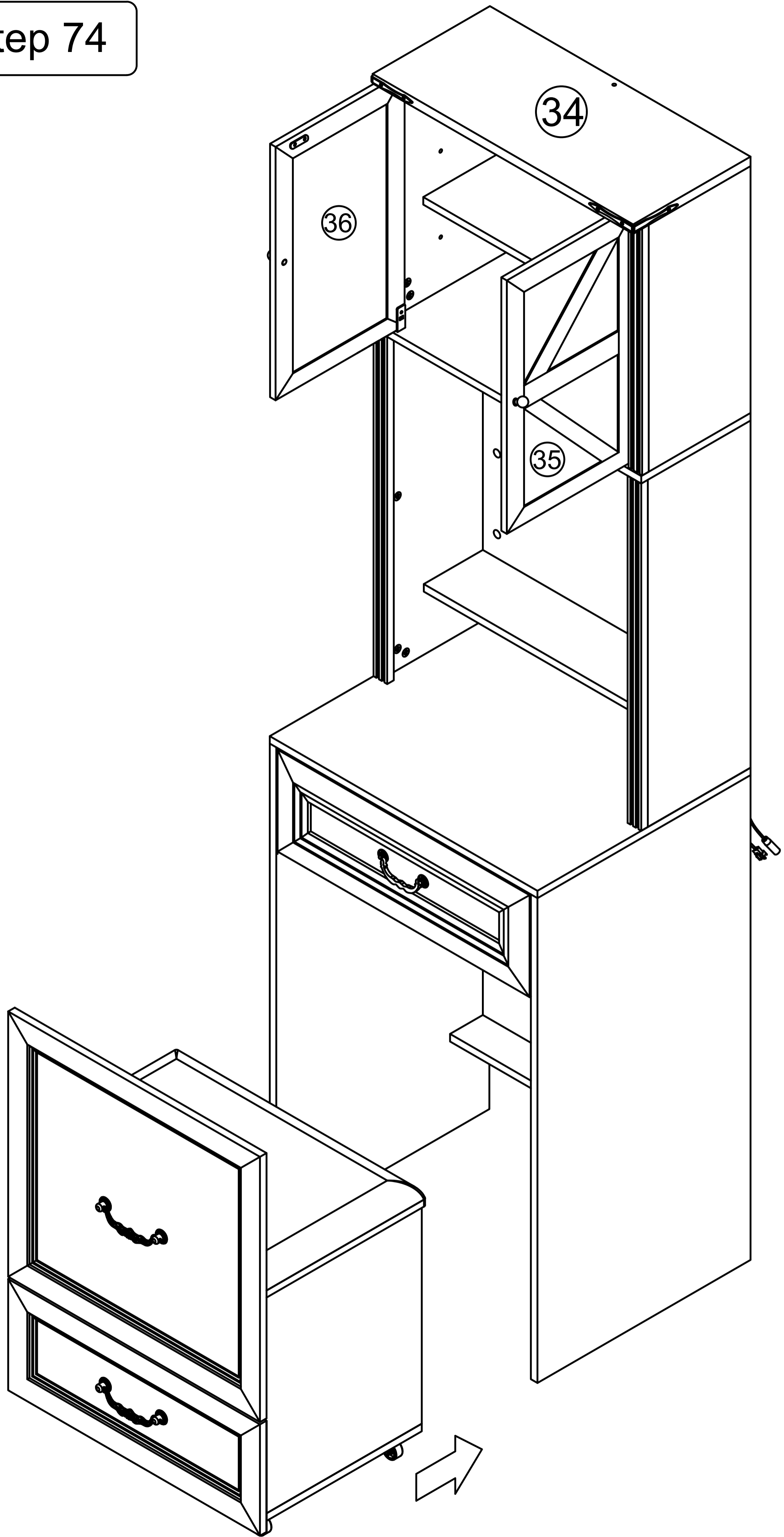
First



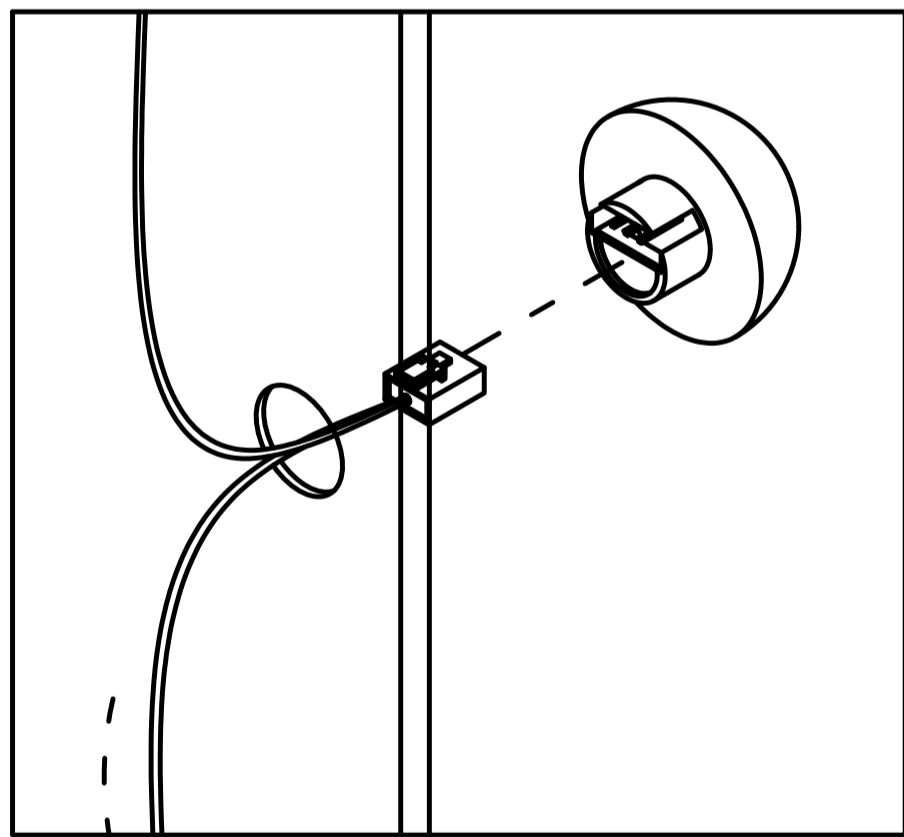
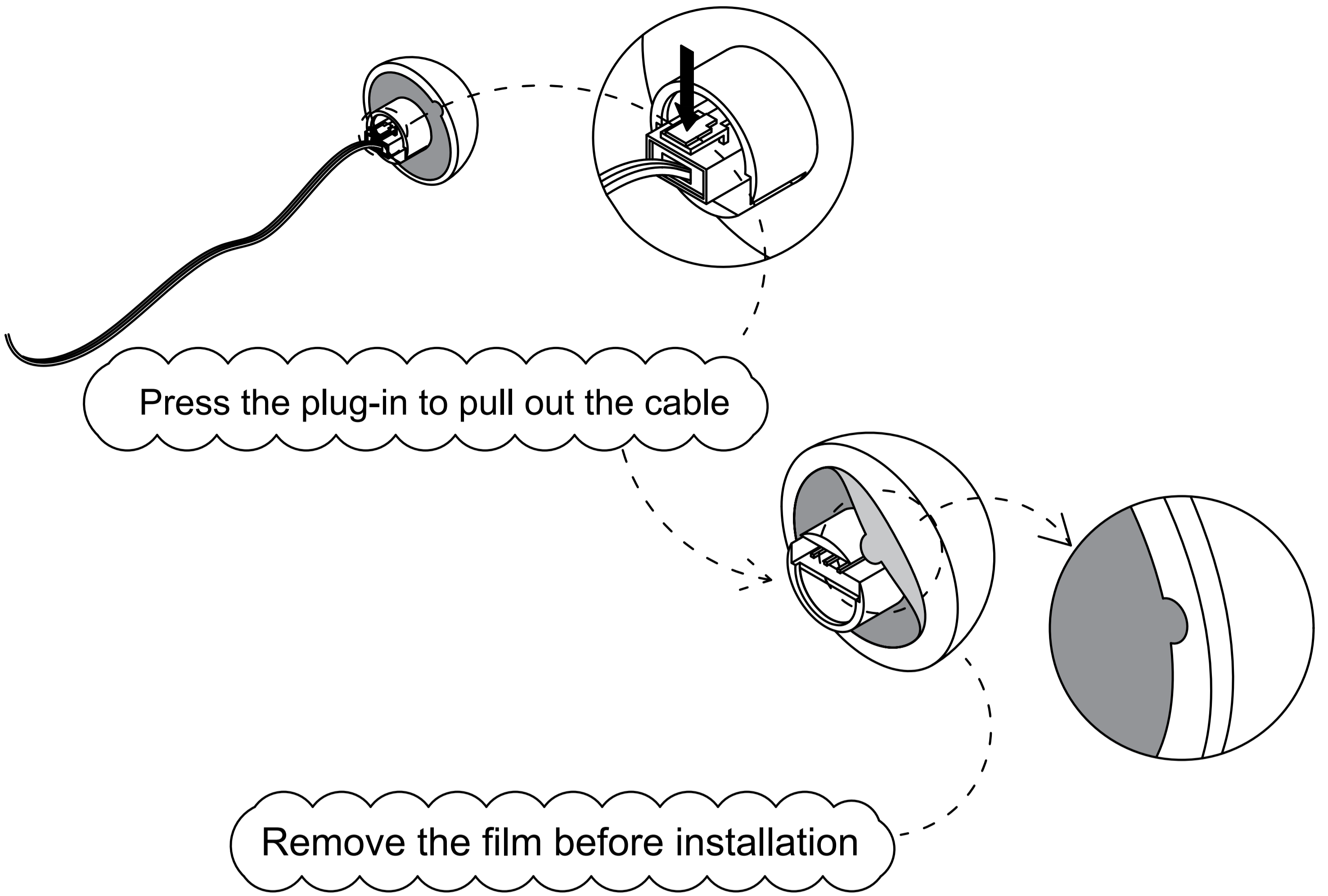
Second



Step 74

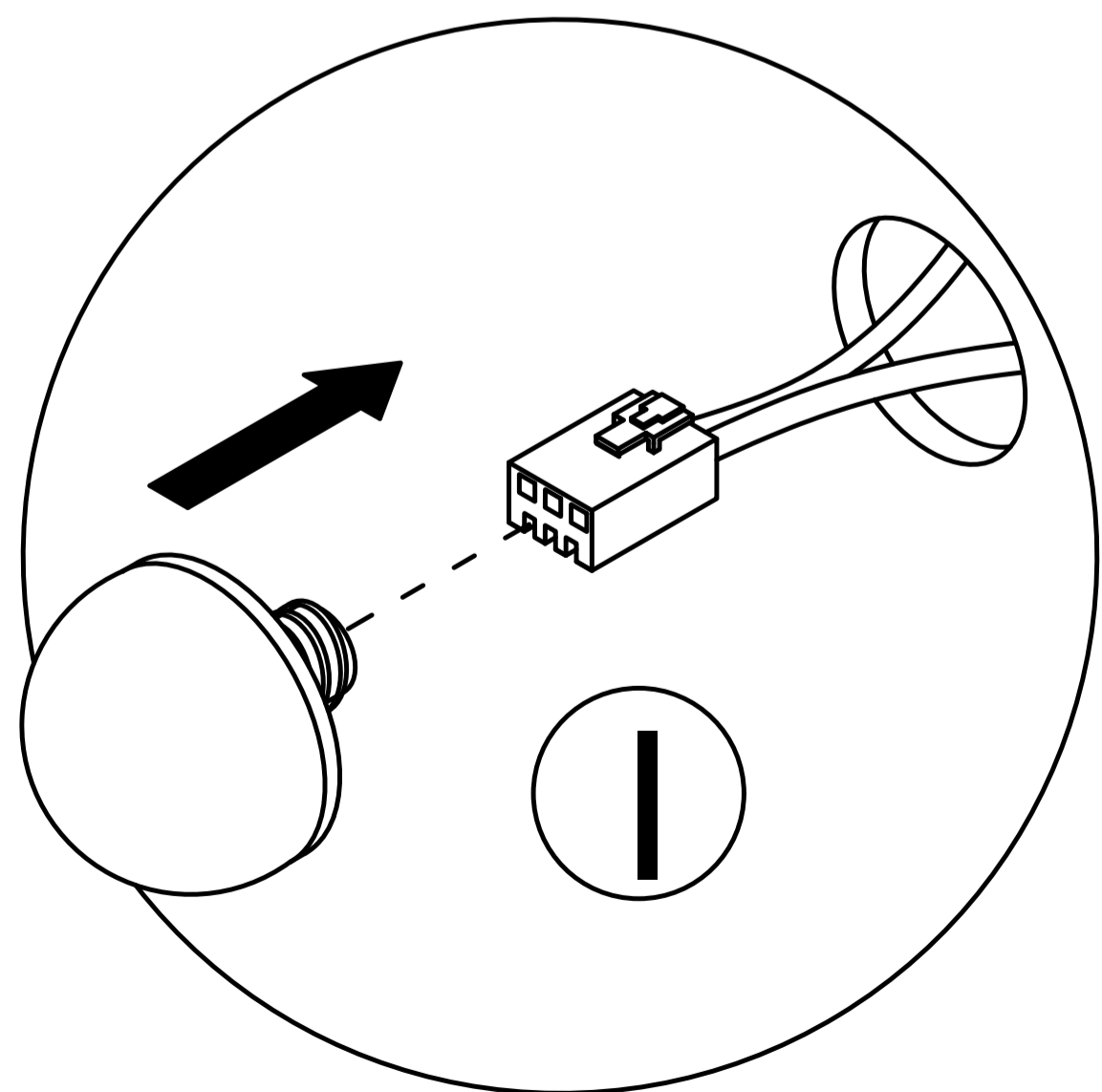


SY

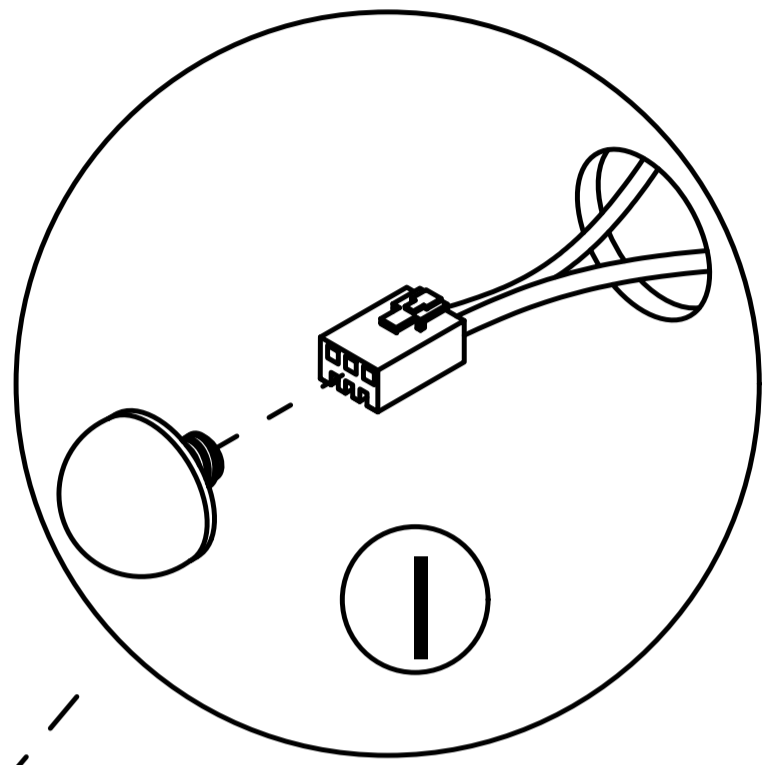
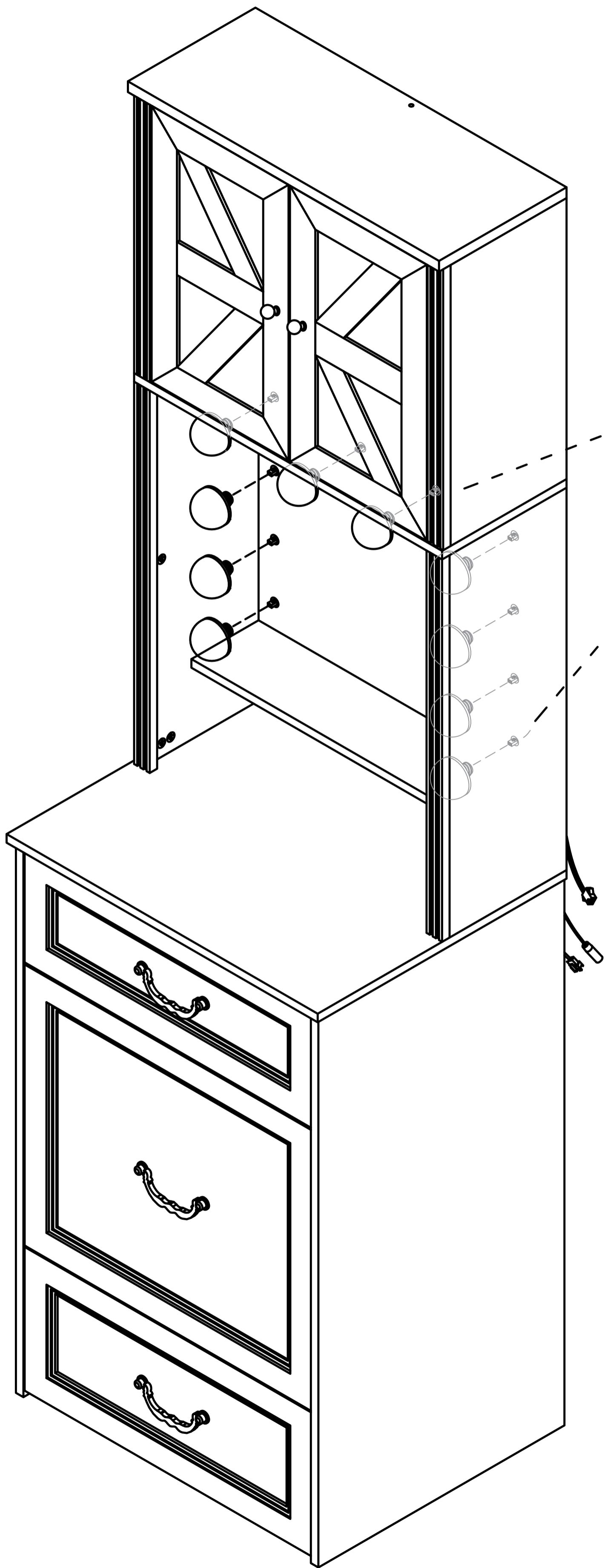
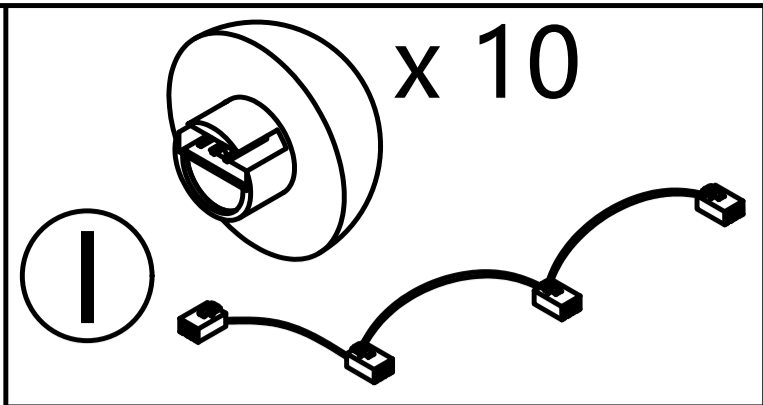


After inserting the bulb into the hole, glue the bulb to the board

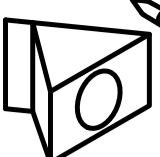

Connect the bulb to the plug

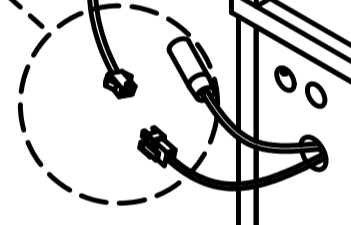
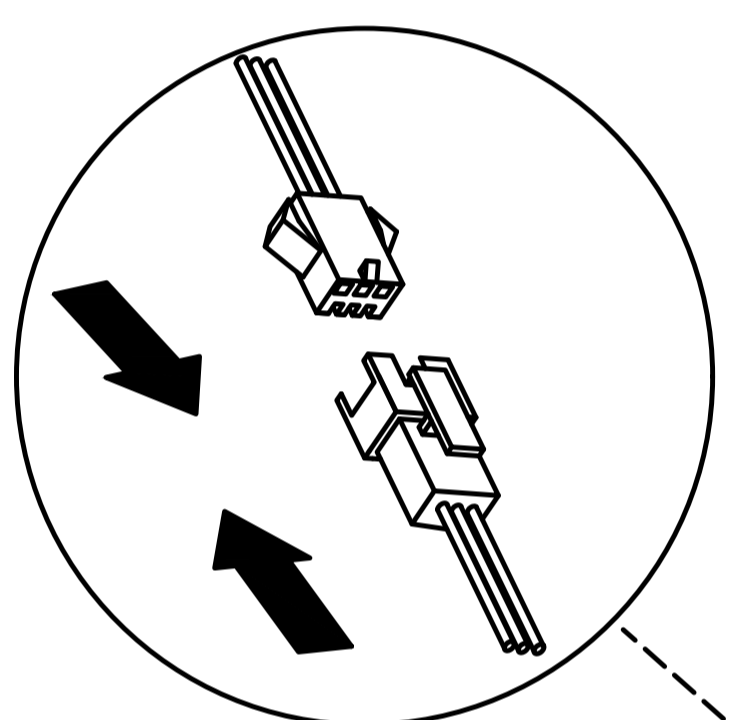
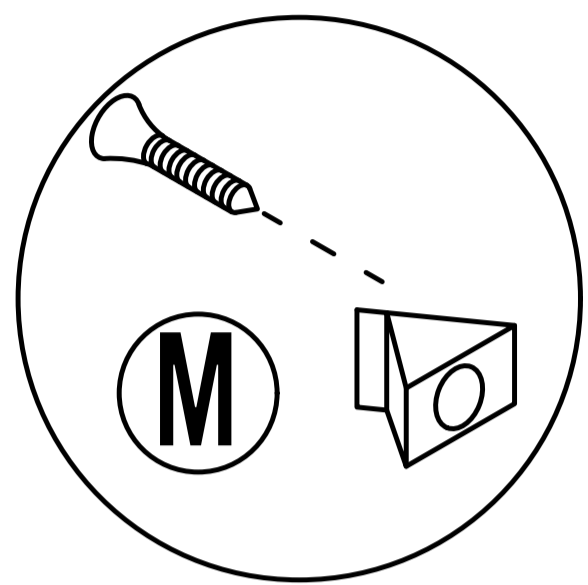
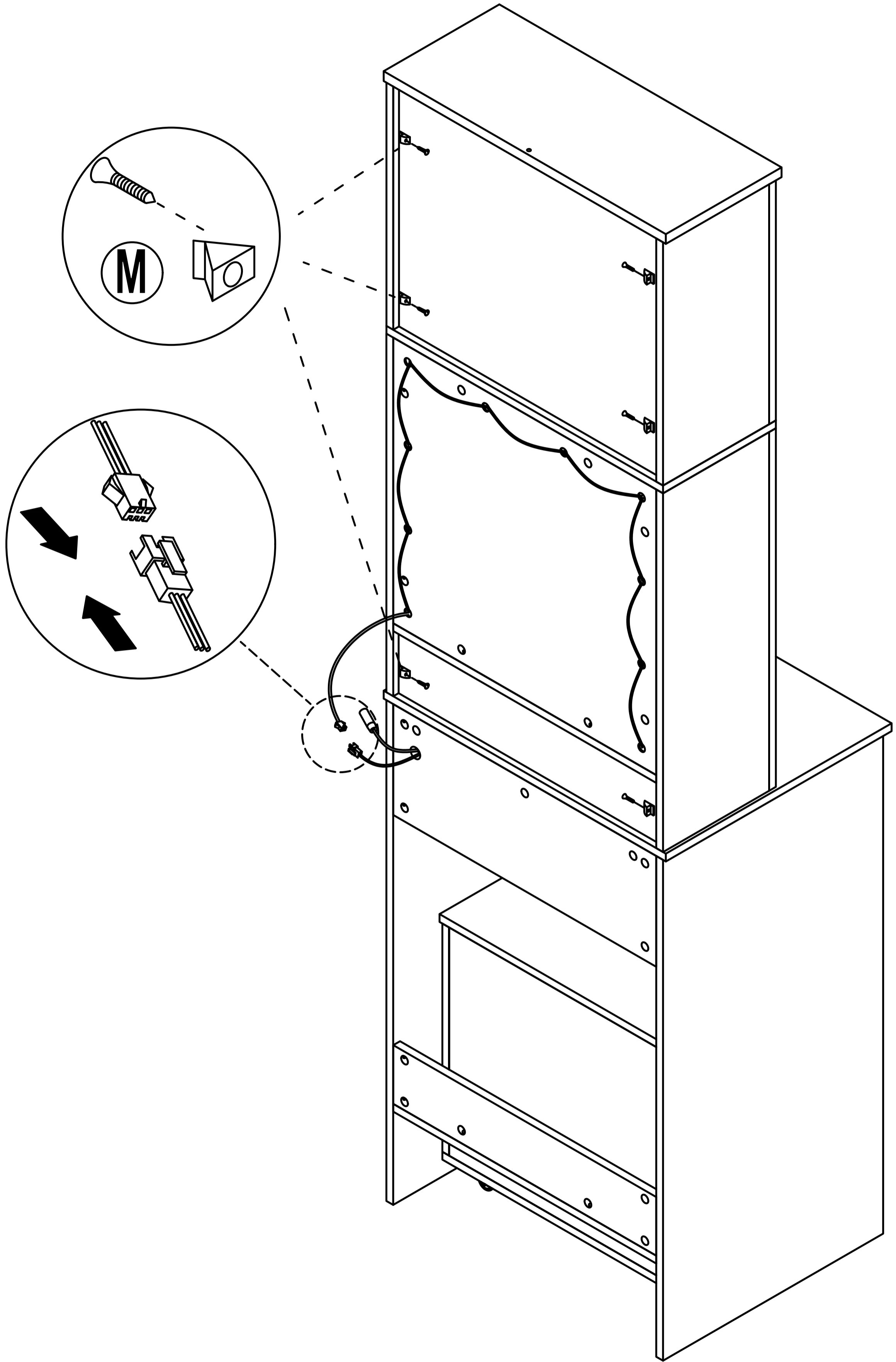


Step 75

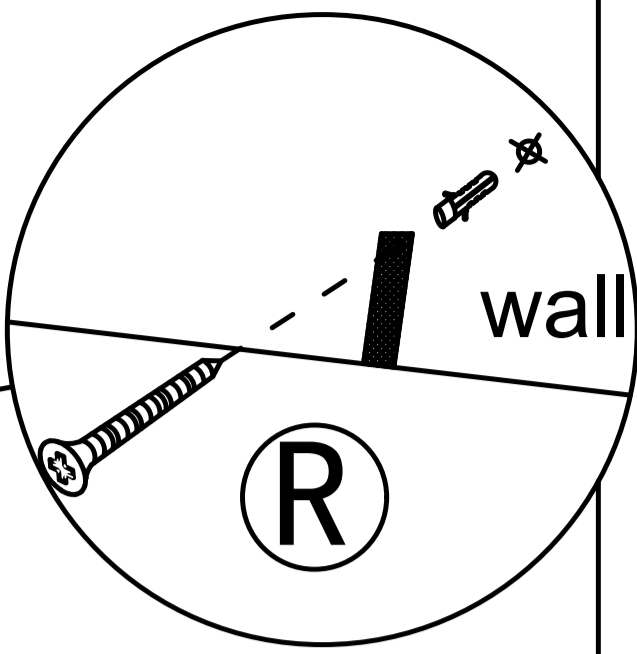
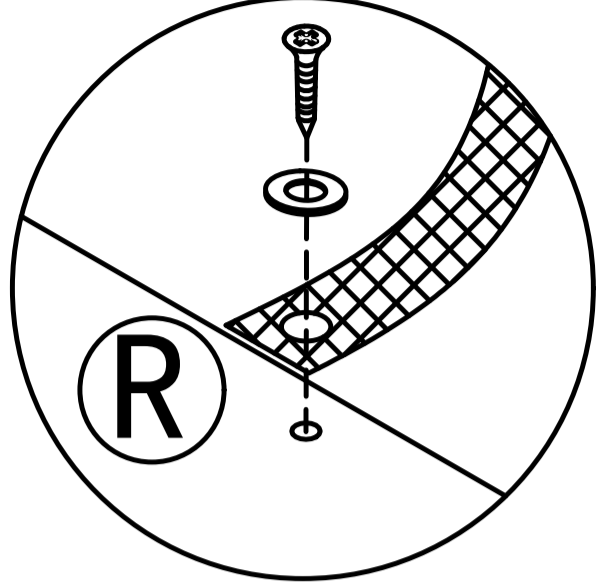


Step 76

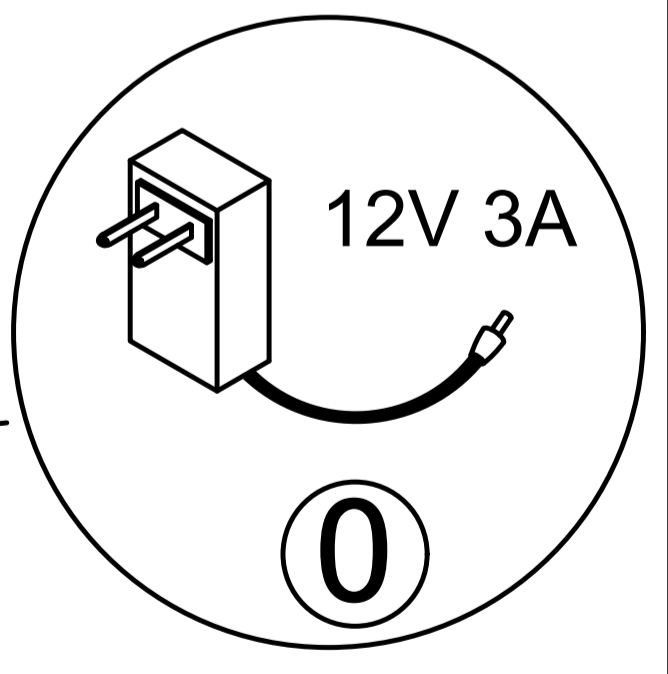
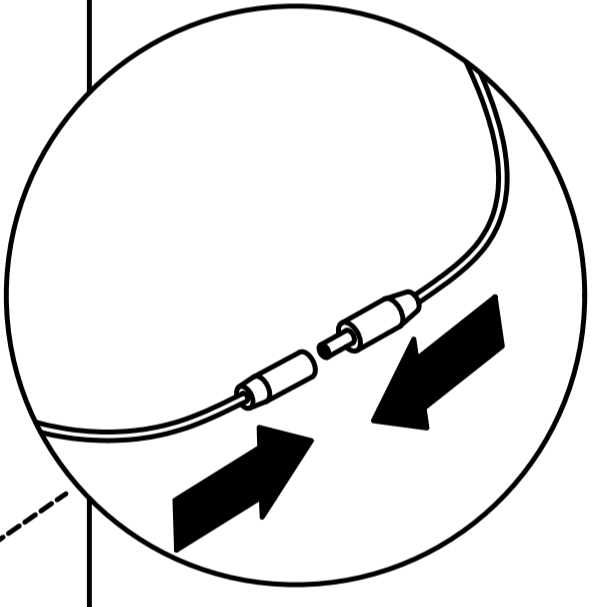
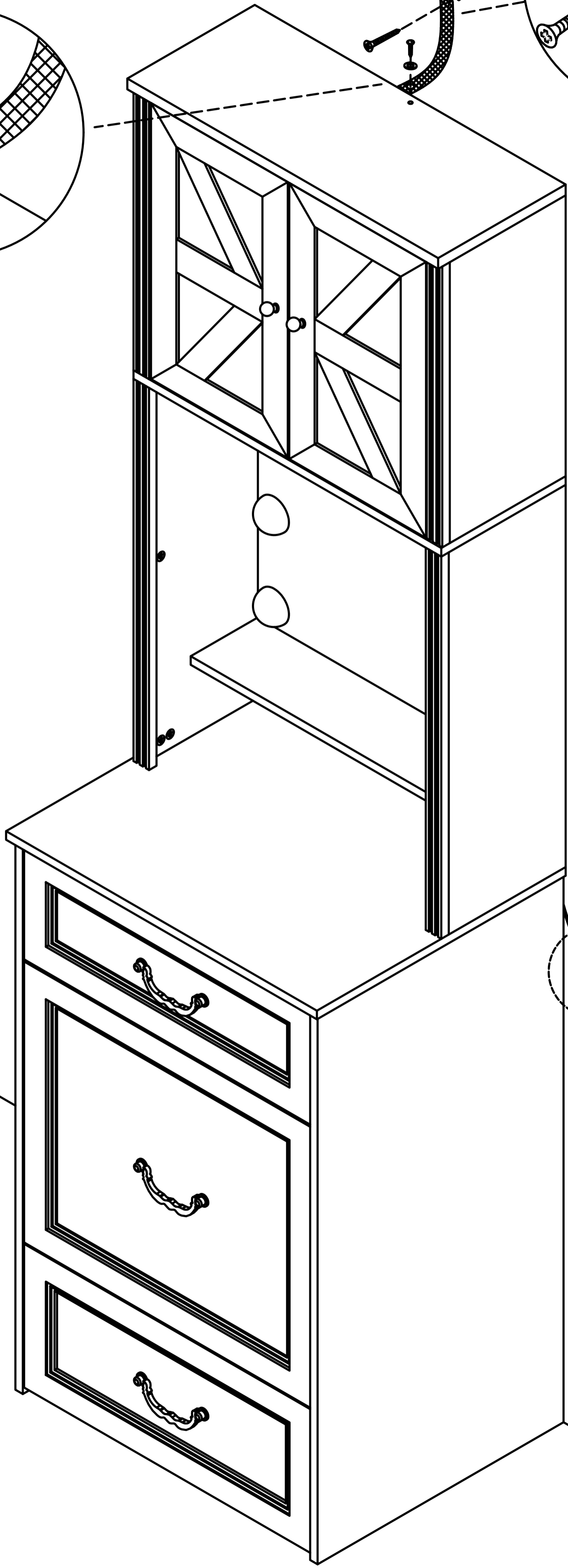
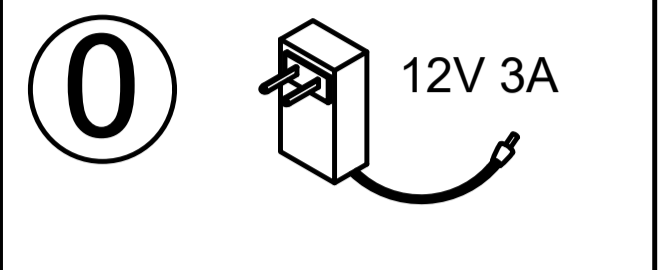
M   x6



Step 77



- R** x1 (3.5x12mm)
- x1
- x1
- R** (4x45mm) x1



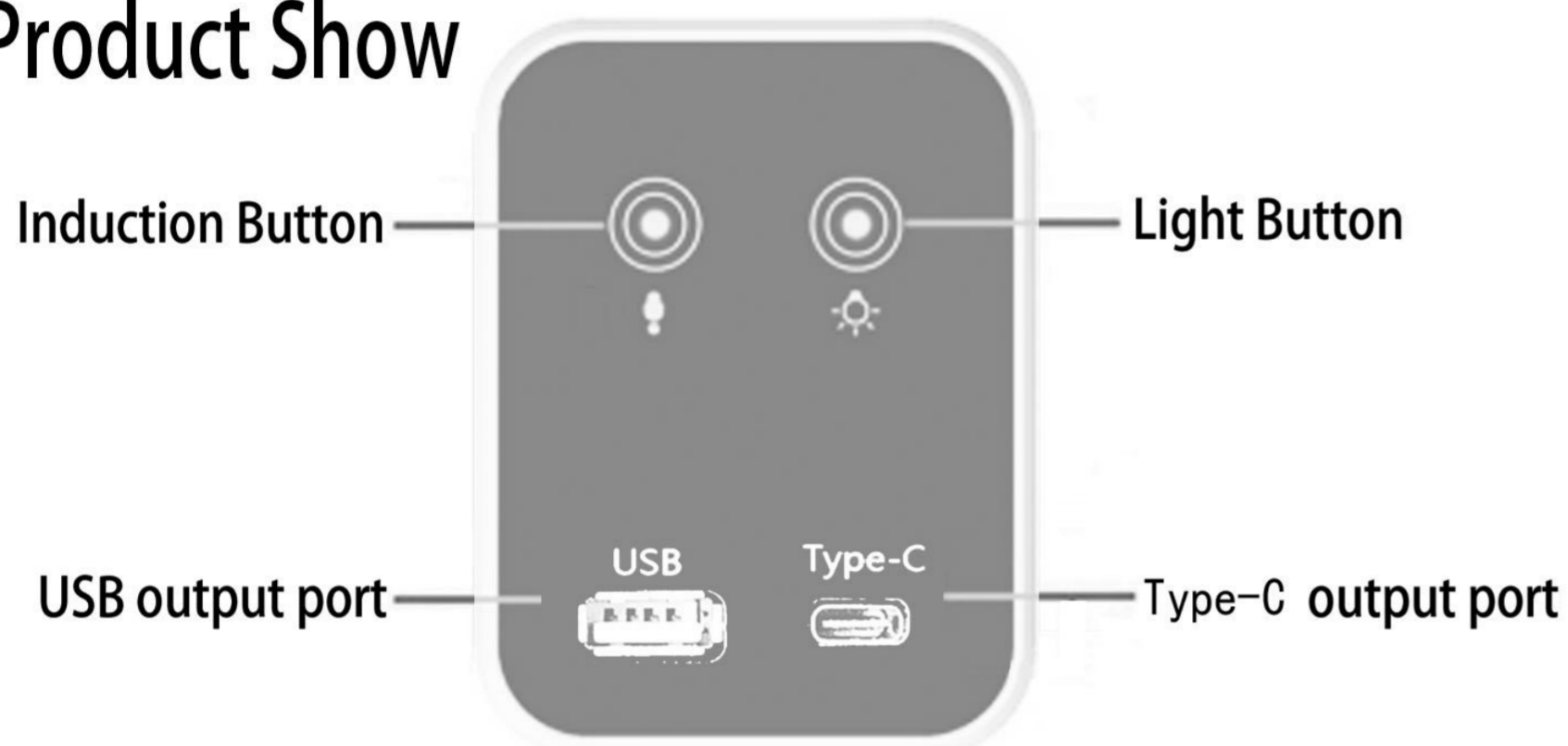
User's Guide

Thank you for purchasing this product. To use this product, please plug it into a 12V DC power supply. Please use if the product works normally after connecting to power.

Introduction

The box is an intelligent controller. It has 1 USB port and 1 type-C port and can distribute the current output up to 5V DC-2A. With 2 touch buttons, it can turn ON/OFF the light, change light colors, and adjust the light luminance.

Product Show



ATTENTION PLEASE

1. If there is no touch response suddenly, Re-plug the power to reset the touch static electricity.
2. If bubbles appear on the panel, remove the protective film.

Operation



This touch button is used to turn on/off, change colors, and adjust brightness.

A. Short touch -> lighting on -> short touch -> change light color -> short touch -> change light color -> short touch -> lighting off. B. Long touch -> adjust the luminance



This touch button is used to turn on/off the induction function.

A . Short touch to turn on the induction function. It can auto-turn on the light when people are close to the controller in 1 meters. It can auto power off the light when the body is far away from the controller after 30 seconds.

B . Long touch to turn off the induction function.

C . Note: When you touch the light button to change the light modes, the induction function will automatically turn off. It is best to turn on this function after selecting the light color and adjusting the brightness you want.