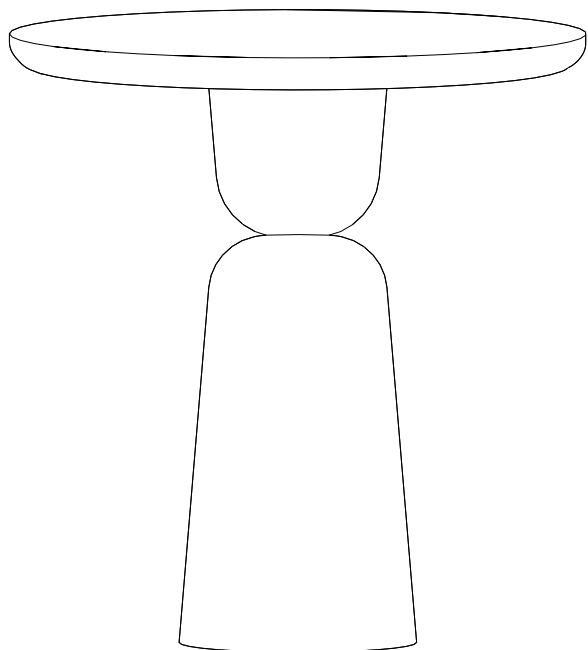
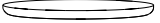




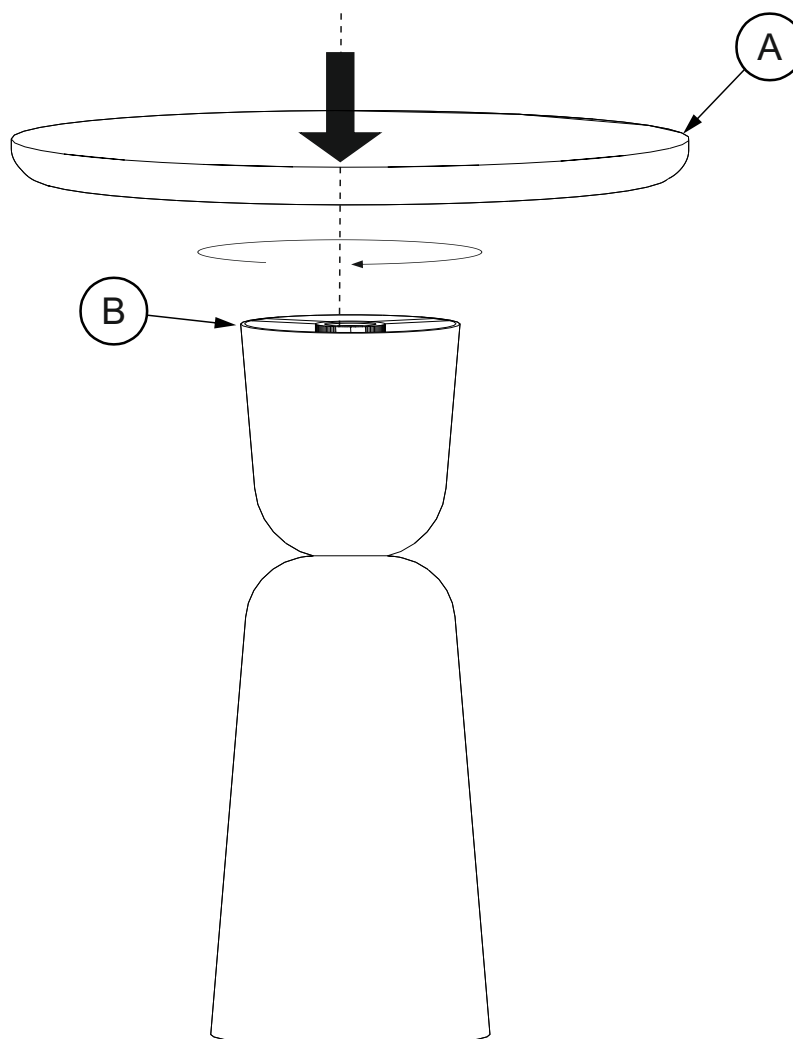
ASSEMBLY INSTRUCTION FOR

BRIXTON OUTDOOR COUNTER TABLE

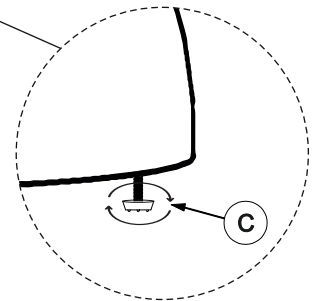
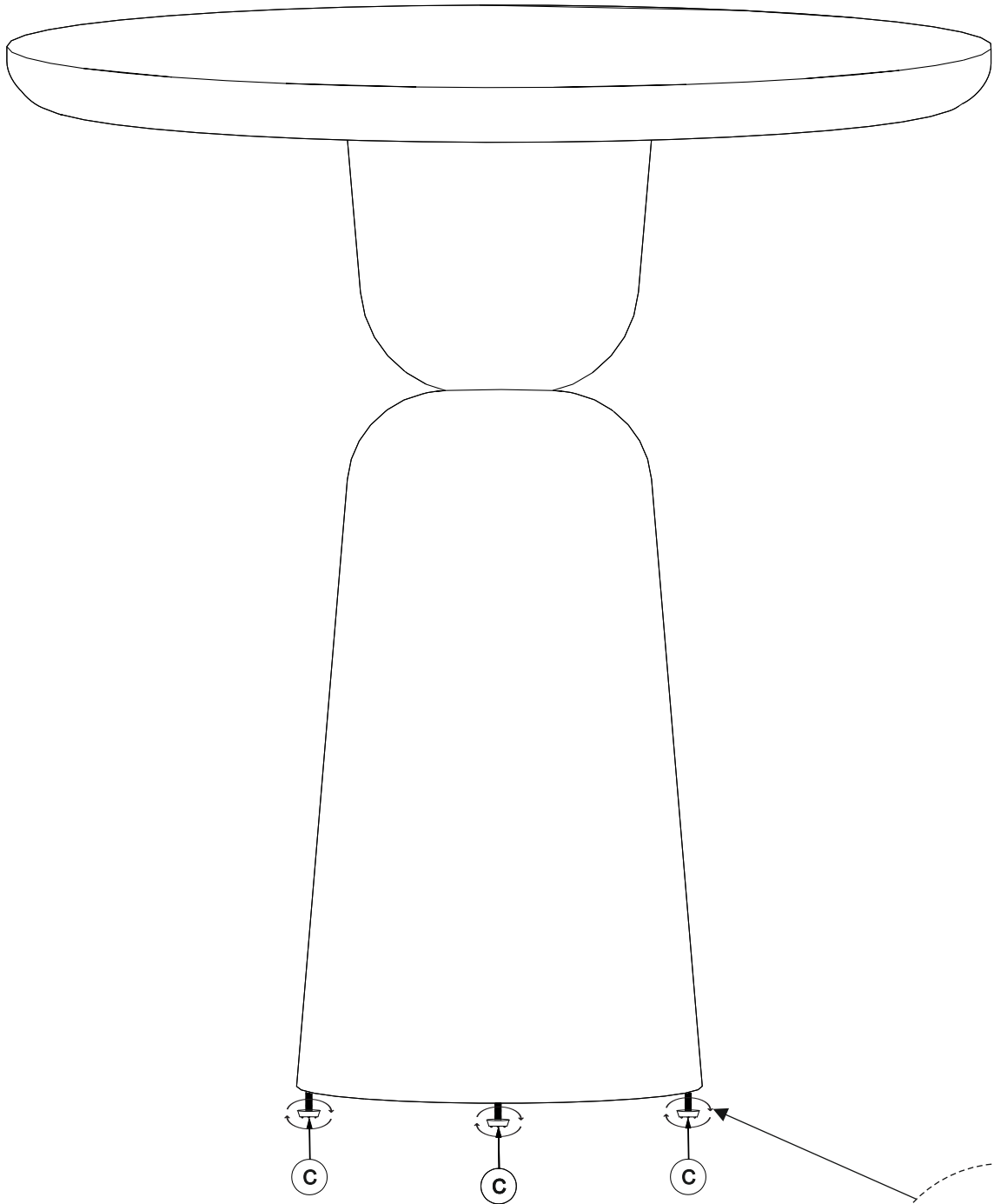


HARDWARE LIST				
A		TOP	Ø863 X 51 mm.	1
B		BASE	Ø356 X 908 mm.	1
C		LEVELER	Ø20 X 8 35 mm.	3

Step 1



Step 2



ADJUSTABLE LEVELER FOR
BALANCE TOP