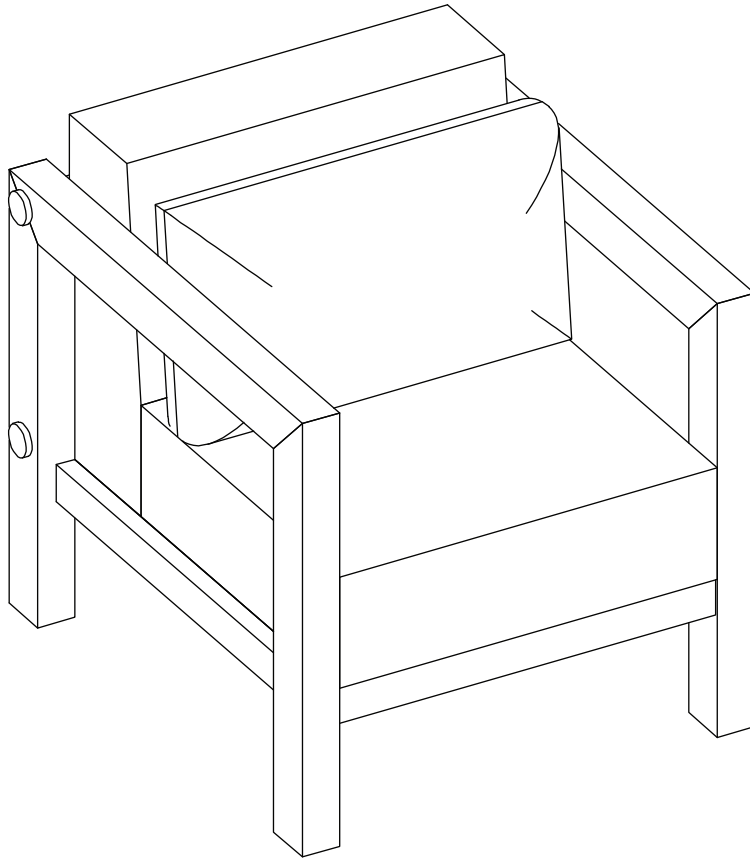


CRUISE EUCALYPTUS WOOD PATIO CHAIR

DESIGN # CPT1076

Assembly Instructions



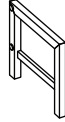
SAFAVIEH
C O U T U R E

Thanks for bringing Safavieh Couture into Your home

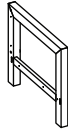
Every thing we make is incredibly simple to set up, including your new chair. You won't need any additional tools.

Parts List

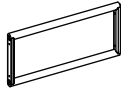
A x 1
Right leg Panel



B x 1
Left leg Panel



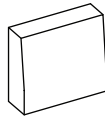
C x 1
Back panel



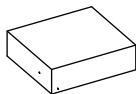
D x 1
Seat panel



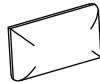
CSH1 x 1
Back Cushion



CSH2 x 1
Seat Cushion



CSH3 x 1
Pillow



Hardware List

HW1 x 10
Screws M6x0.5x 45 mm

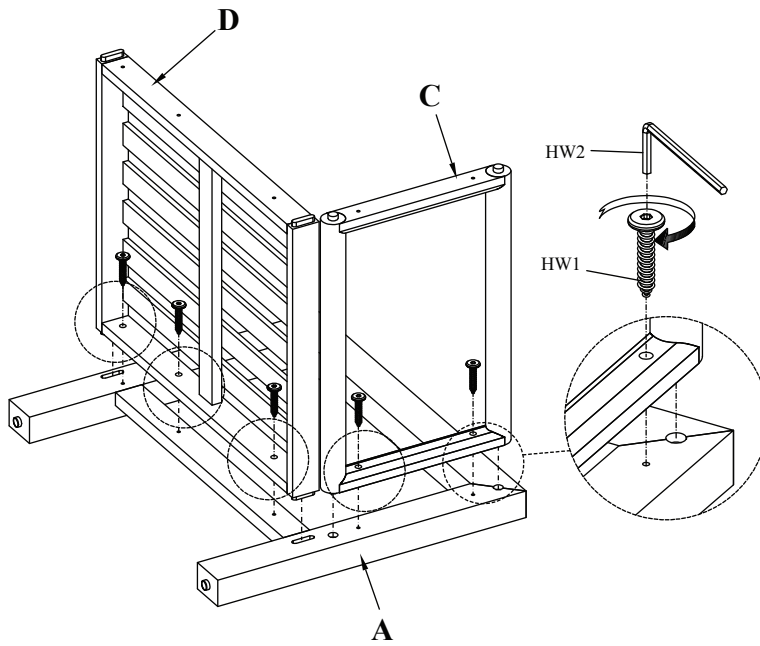


HW2 x 1
Allen key



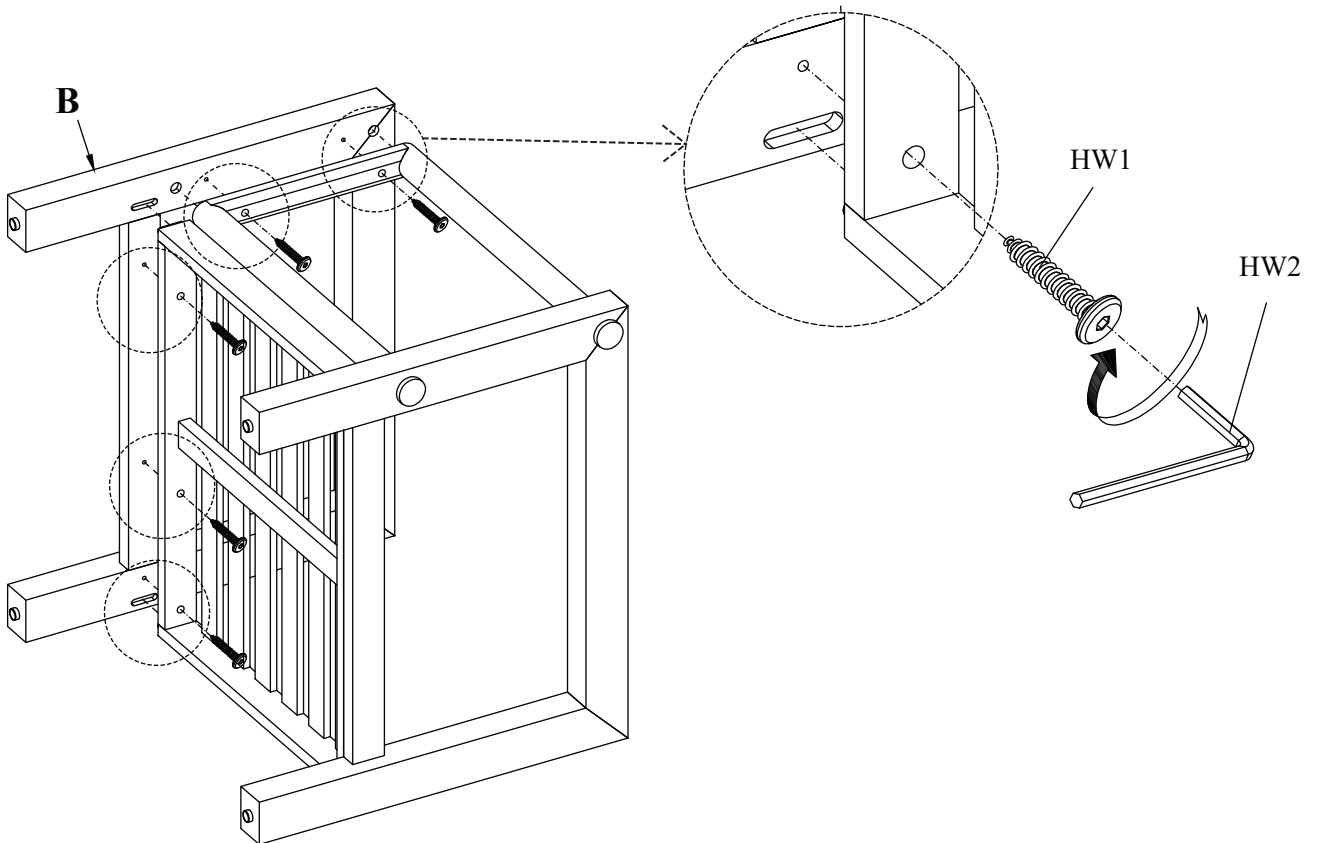
1

Place the Right Leg Panel (A) on a soft and clean surface with the inside facing up. Align the screw holes on the Back Panel (C) and the Seat Panel (D) to the screw holes on the Right Leg Panel (A). Attach them together by using the Allen Key (HW2) to screw in the Screws (HW1) in the spots shown below.



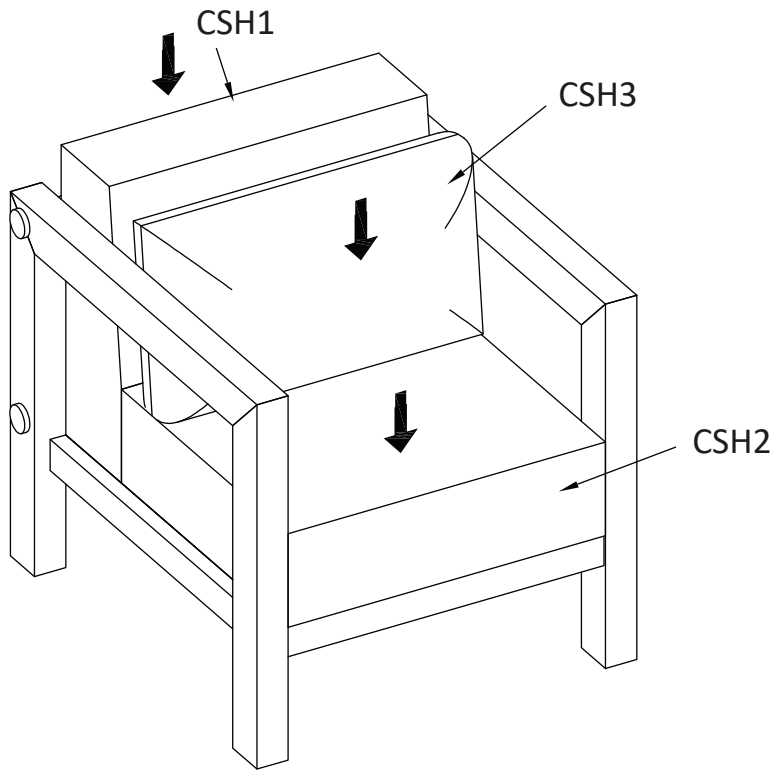
2

Align the screw holes on the Left Leg Panel (B) to screw the screw holes on the Back Panel (C) and the Seat Panel (D). Attach them together by using the Allen Key (HW2) to screw in the Screws (HW1) in the spots shown below. Make sure all screws are tightened.



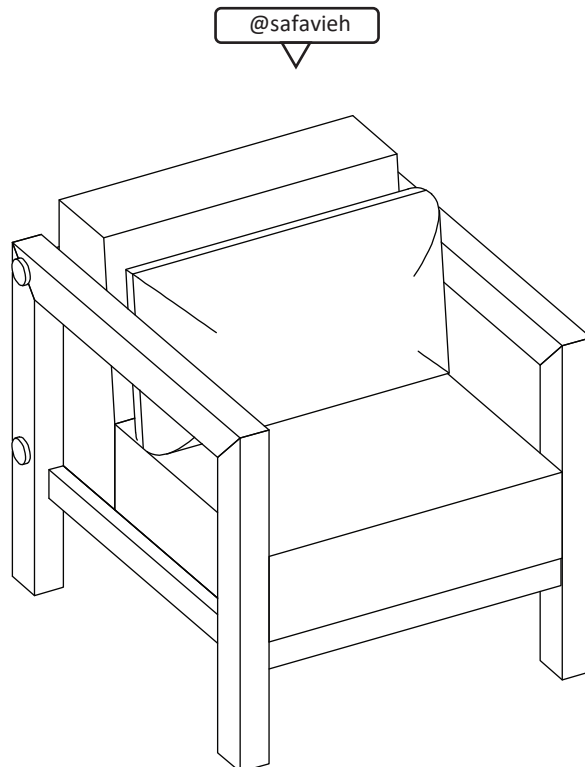
3

Turn the assembled chair upright and make sure it doesn't wobble. Place the Seat Cushion (CSH2), Back Cushion (CSH1), and Pillow (CSH3) on the assembled chair.



4

Place the chair in the place where you will use it. We'd love to see it – just tag us (we're @safavieh) and use the hashtag #safavieh on Instagram!



Need help?
Feel free to contact us via email or call
If you have any specific question!

Contact us:
CS@safavieh.com
866-422-9070