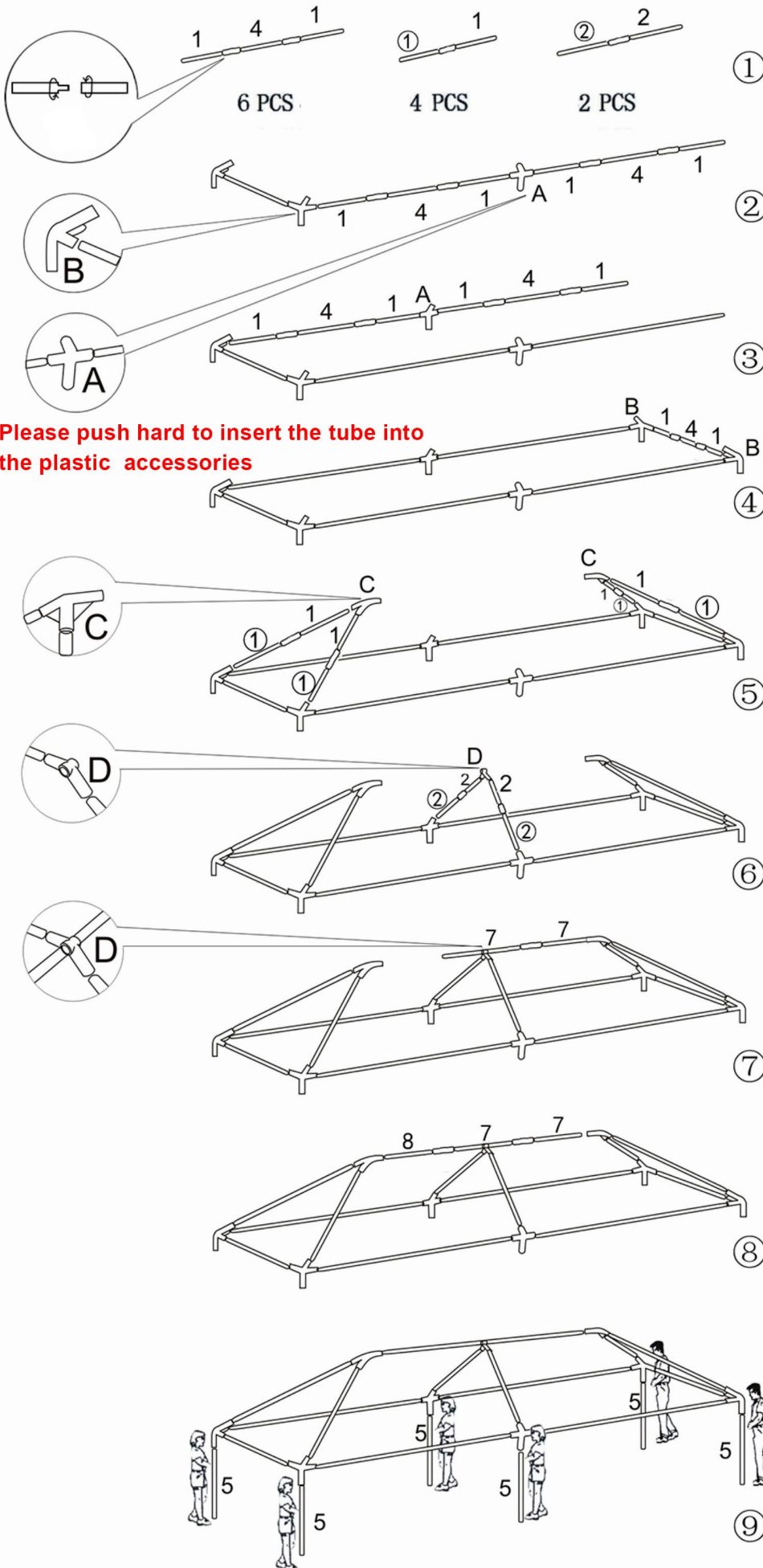


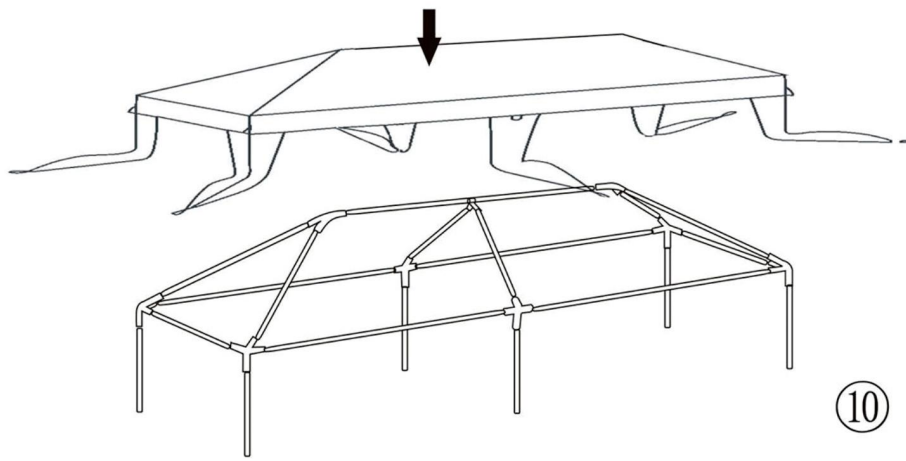
Simple Assembly Instructions

Do not use the tent in windy and rainy days, please fix the ropes and ground nails when using.

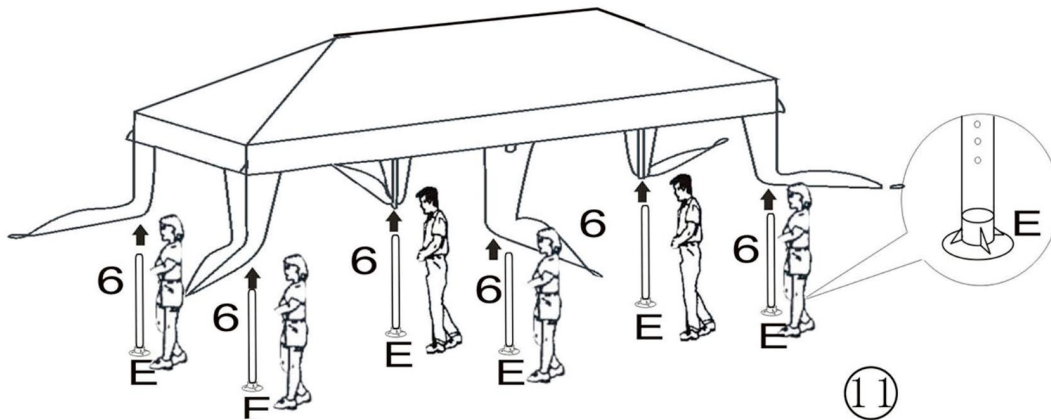


Please push hard to insert the tube into the plastic accessories

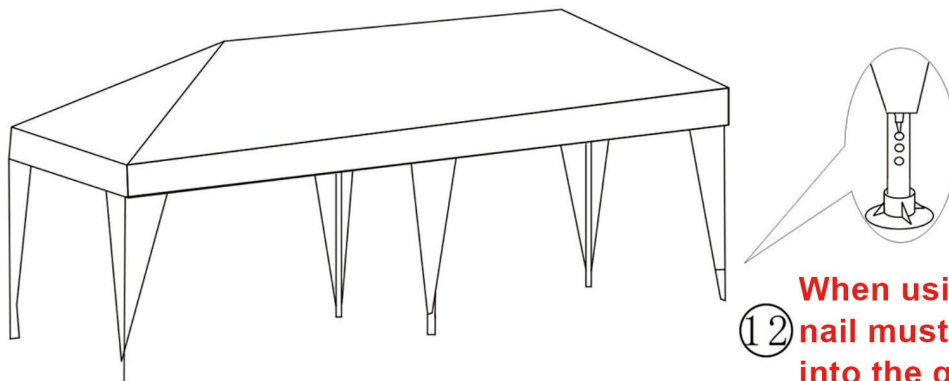
1		16 PCS		
①		4 PCS		
2		2 PCS		
②		2 PCS		
4		6 PCS		
5		6 PCS		
6		6 PCS		
7		2 PCS		
8		1 PCS		
A		2 PCS		6 PCS
B		4 PCS		12 PCS
C		2 PCS		
D		1 PCS		
E		6 PCS		
				1 PCS



⑩

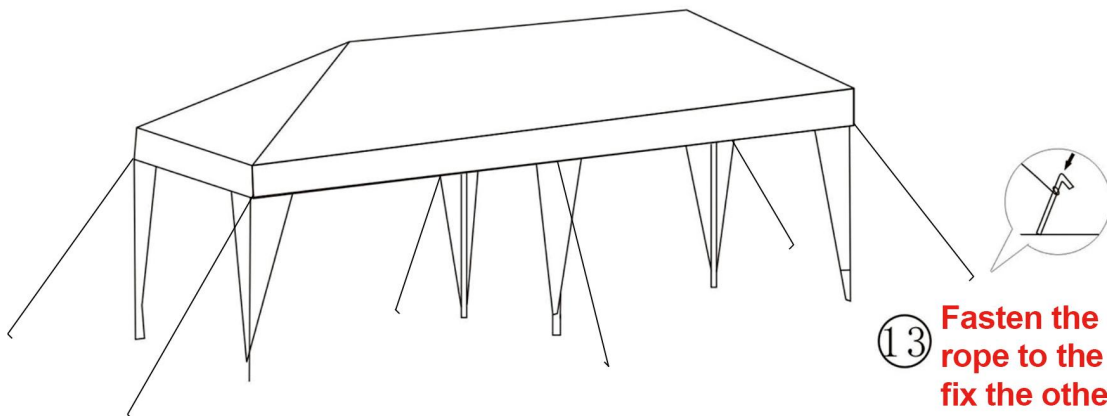


⑪



⑫

When using the tent ,the nail must be inserted into the ground



⑬

Fasten the one side of wind rope to the roof fabric,then fix the other side to the nail and insert the nail into the ground