

ASSEMBLY INSTRUCTIONS

Upholstered Platform Wood Bed

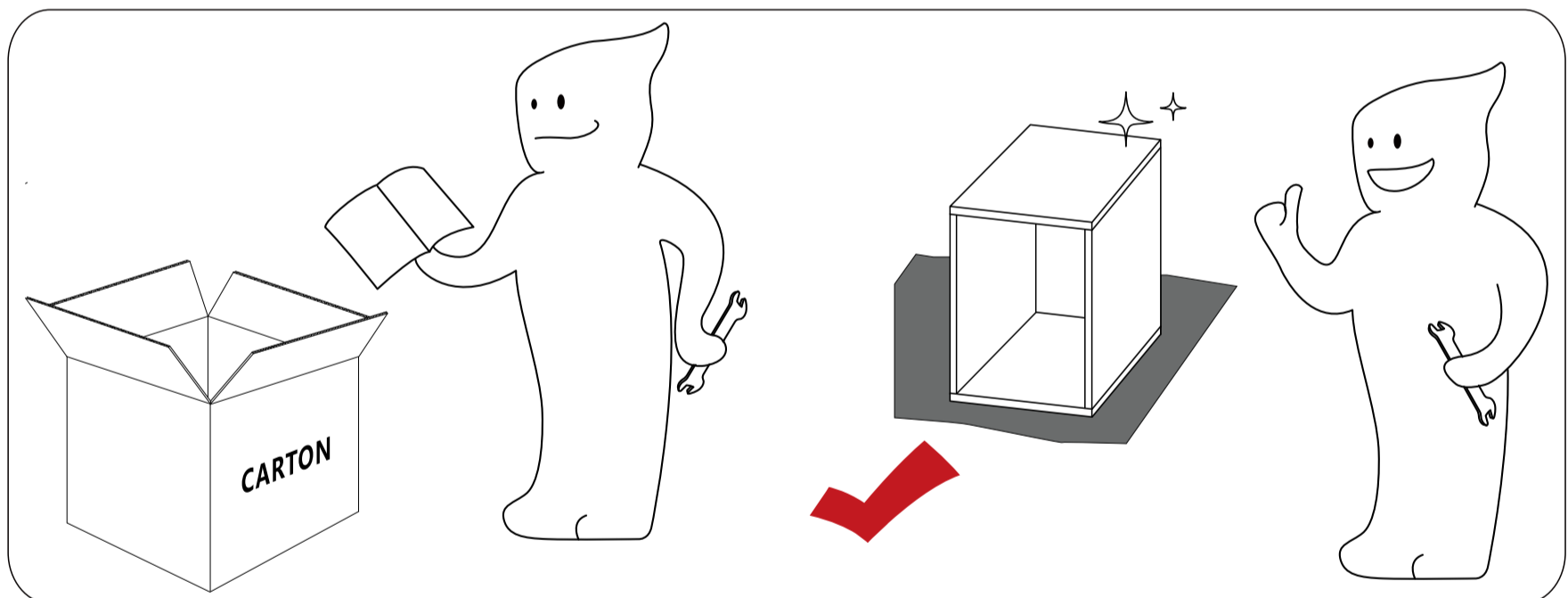
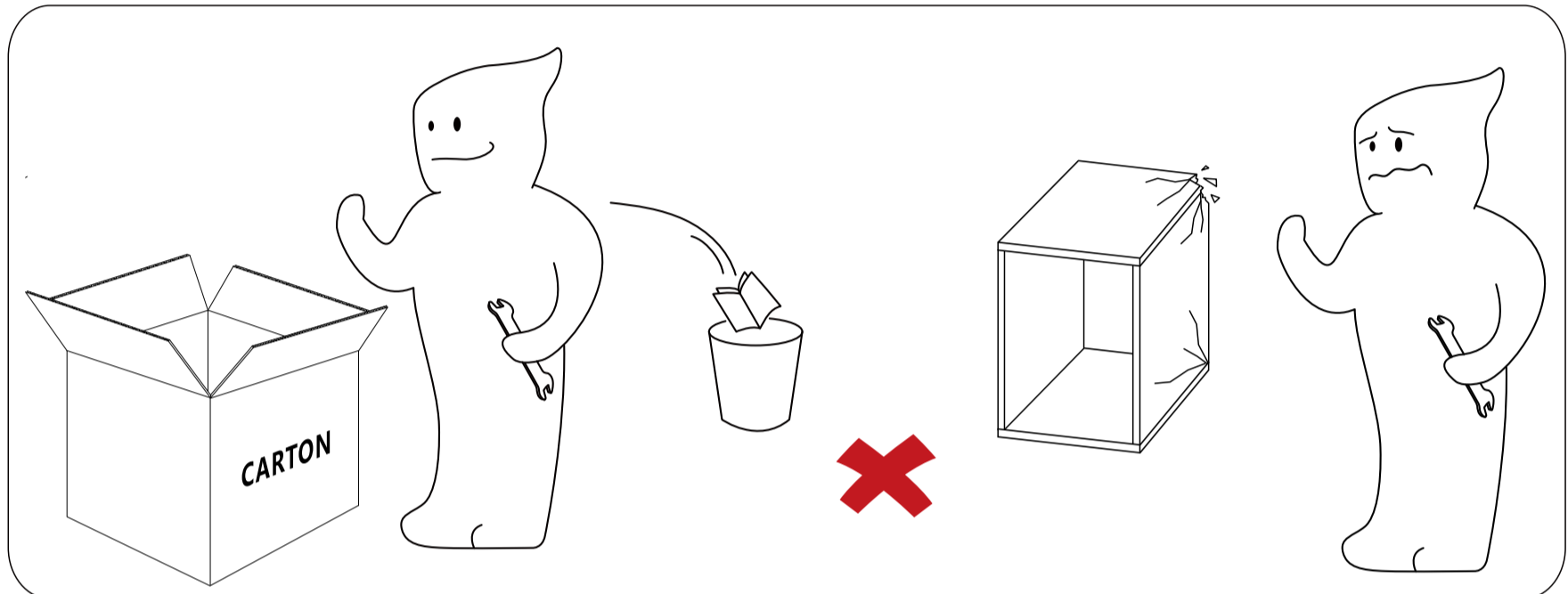


Dear Customers,

Thank you for purchasing our product. Please read this instruction manual carefully after receiving this product. It will help you assemble this product quickly, safely and correctly. You can keep this manual for future reference.

IMPORTANT

Please follow the instruction manuals and use a pad to protect the product during your assembly.



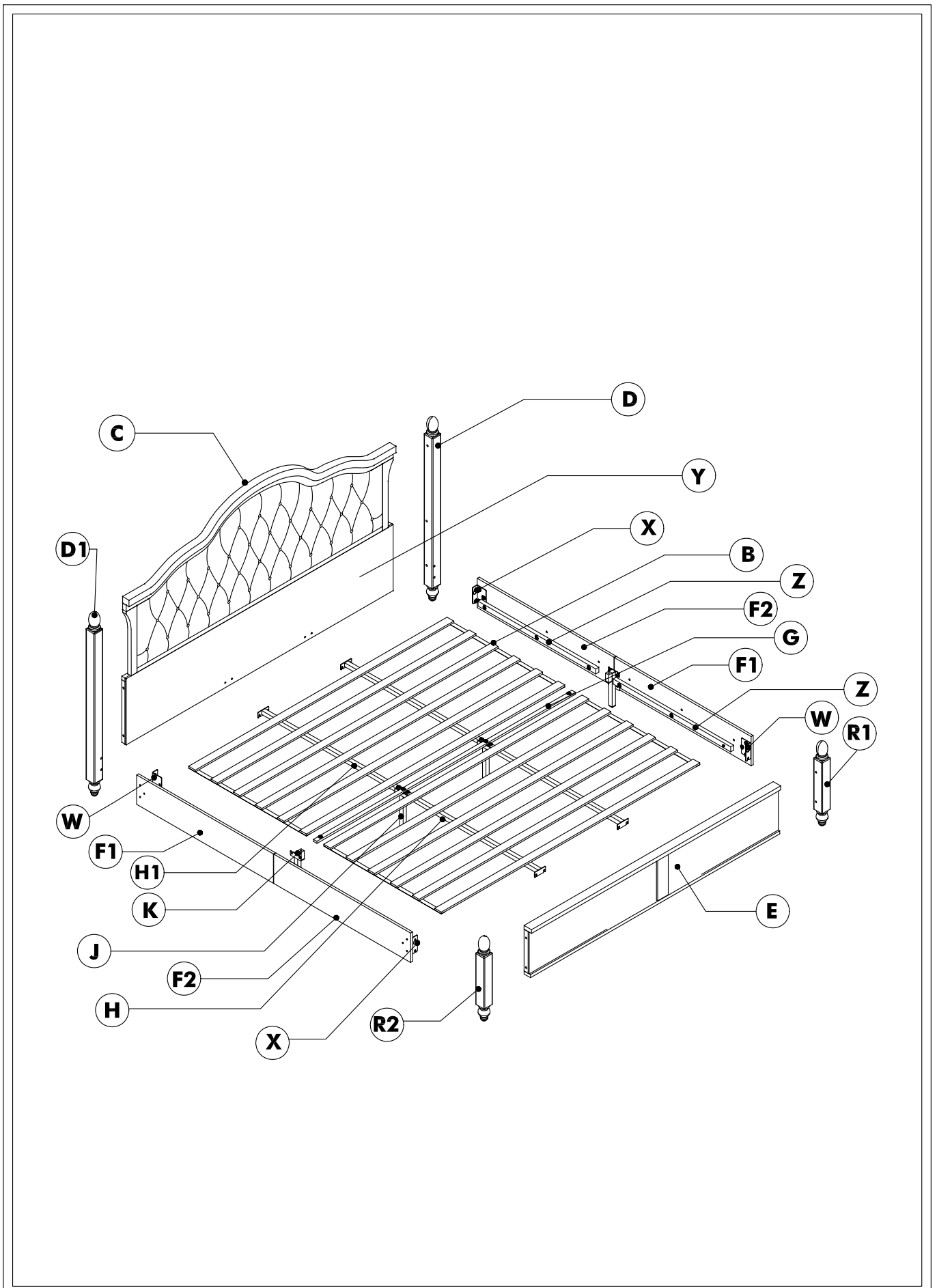
Note:

- 1. Should be assembled on flat ground to keep balance.**
- 2. Before completing the installation, do not tighten the screws.**



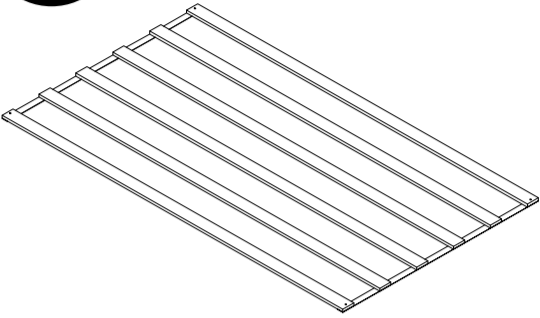
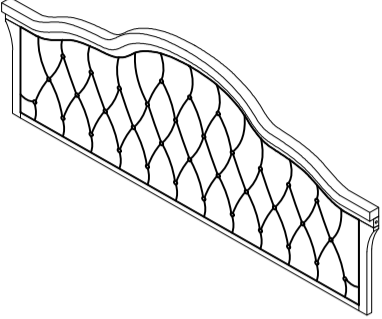


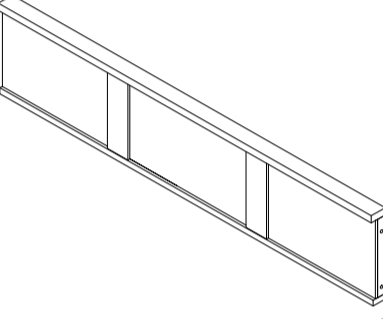
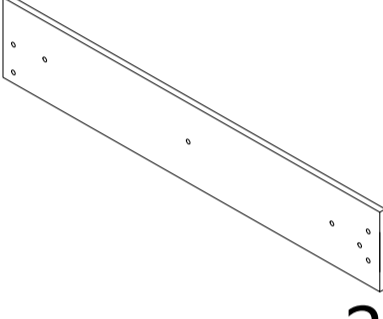
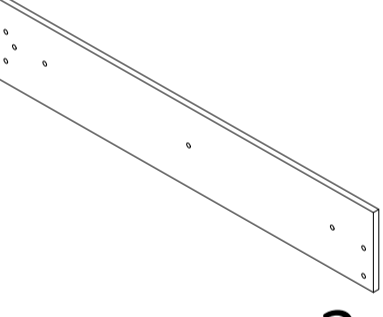
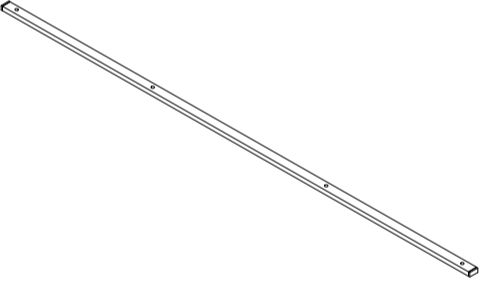
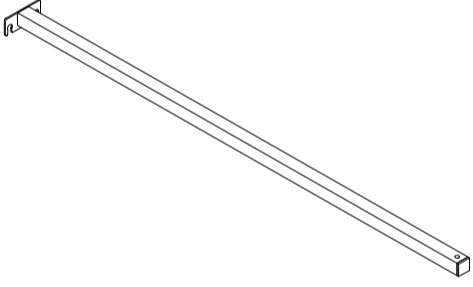
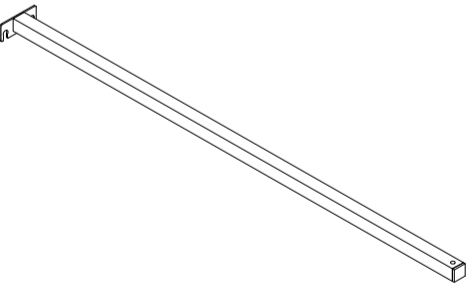
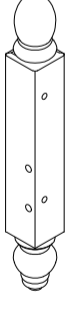
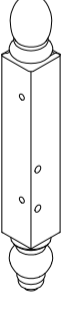
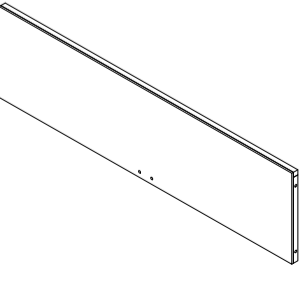
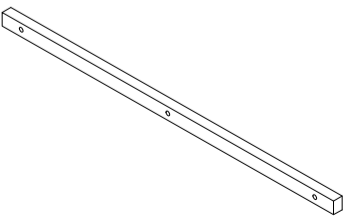
For easier and better assembly, **2** or more adults are required.

ASSEMBLY INSTRUCTIONS



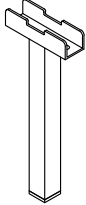
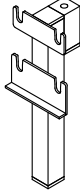
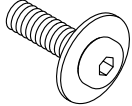
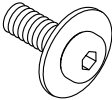
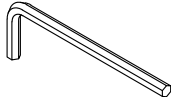
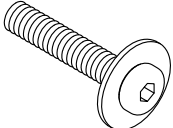
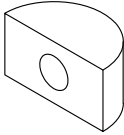
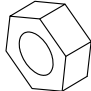
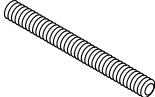
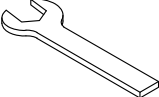
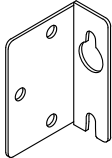
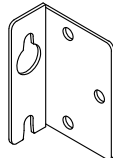
ASSEMBLY INSTRUCTIONS

BED FRAME PARTS LIST

<p>B</p>  <p>2pcs</p>	<p>C</p>  <p>1pc</p>	<p>D</p>  <p>1pc</p>
<p>D1</p>  <p>1pc</p>	<p>E</p>  <p>1pc</p>	<p>F1</p>  <p>2pcs</p>
<p>F2</p>  <p>2pcs</p>	<p>G</p>  <p>1pc</p>	<p>H</p>  <p>2pcs</p>
<p>H1</p>  <p>2pcs</p>	<p>R1</p>  <p>1pc</p>	<p>R2</p>  <p>1pc</p>
<p>Y</p>  <p>1pc</p>	<p>Z</p>  <p>4pcs</p>	

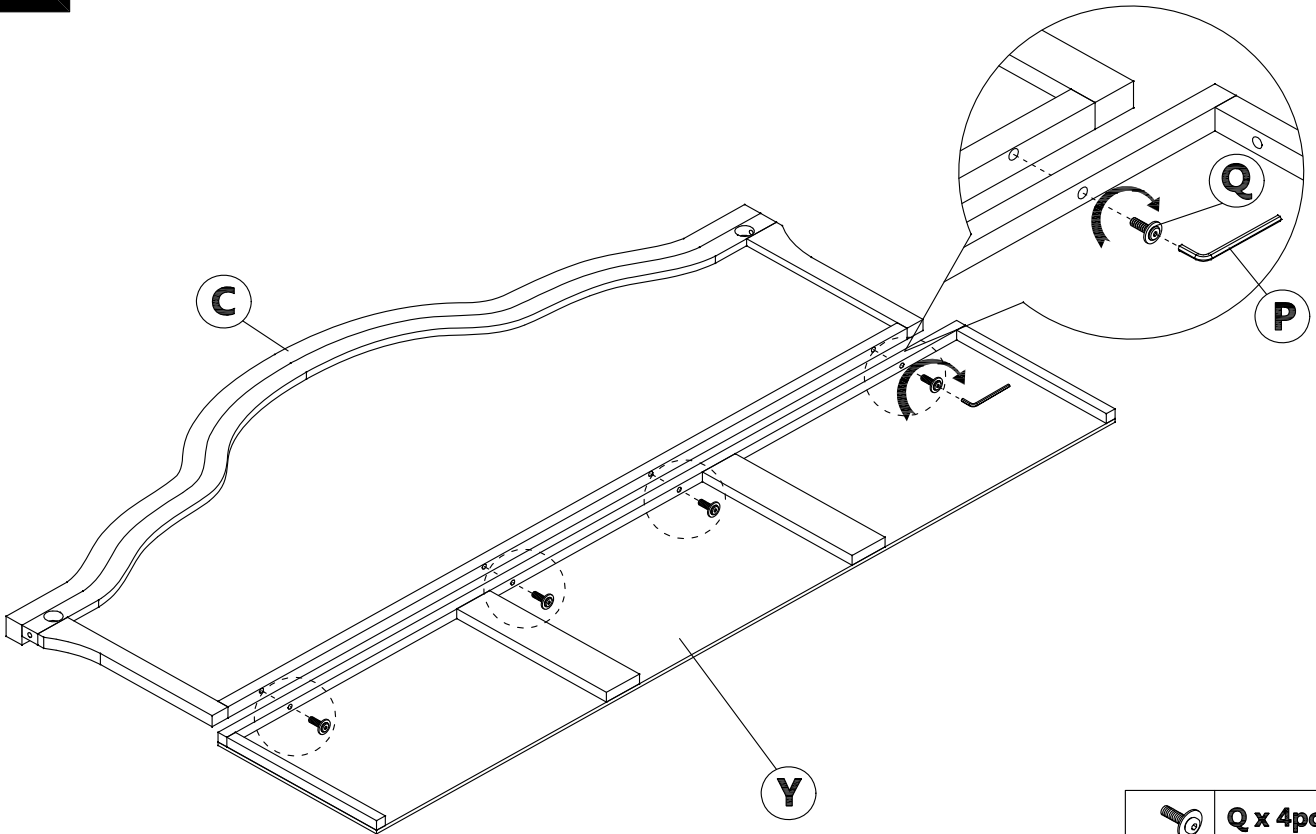
ASSEMBLY INSTRUCTIONS



FITTING PART LIST

<p>J</p>  <p>2pcs</p>	<p>K</p>  <p>2pcs</p>	<p>N M8*25mm</p>  <p>8pcs</p>
<p>O M8*16mm</p>  <p>28pcs+1pc</p>	<p>P</p>  <p>1pc</p>	<p>Q M8*35mm</p>  <p>32pcs+1pc</p>
<p>S</p>  <p>2pcs</p>	<p>T M8</p>  <p>2pcs</p>	<p>U M8*80mm</p>  <p>2pcs</p>
<p>V</p>  <p>1pc</p>	<p>W</p>  <p>2pcs</p>	<p>X</p>  <p>2pcs</p>

ASSEMBLY INSTRUCTIONS

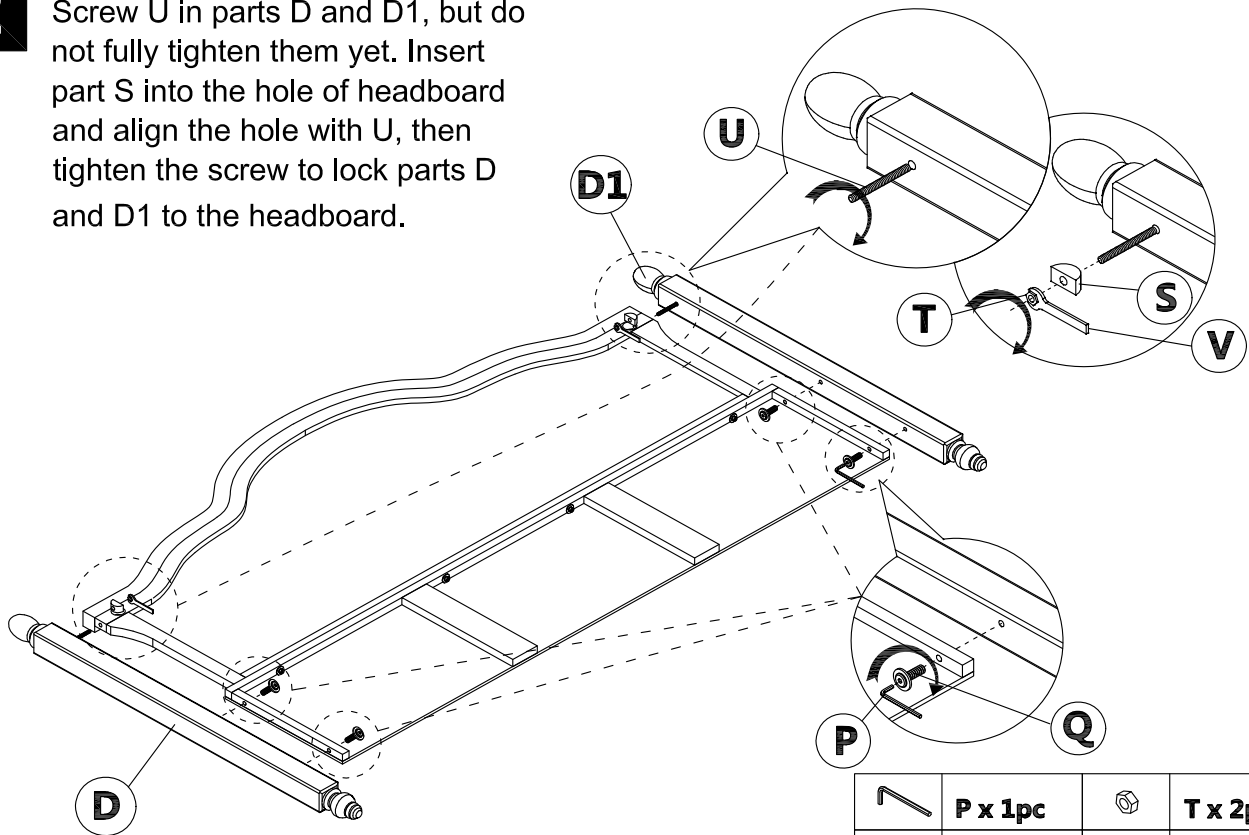
1









	Q x 4pcs
	P x 1pc

2

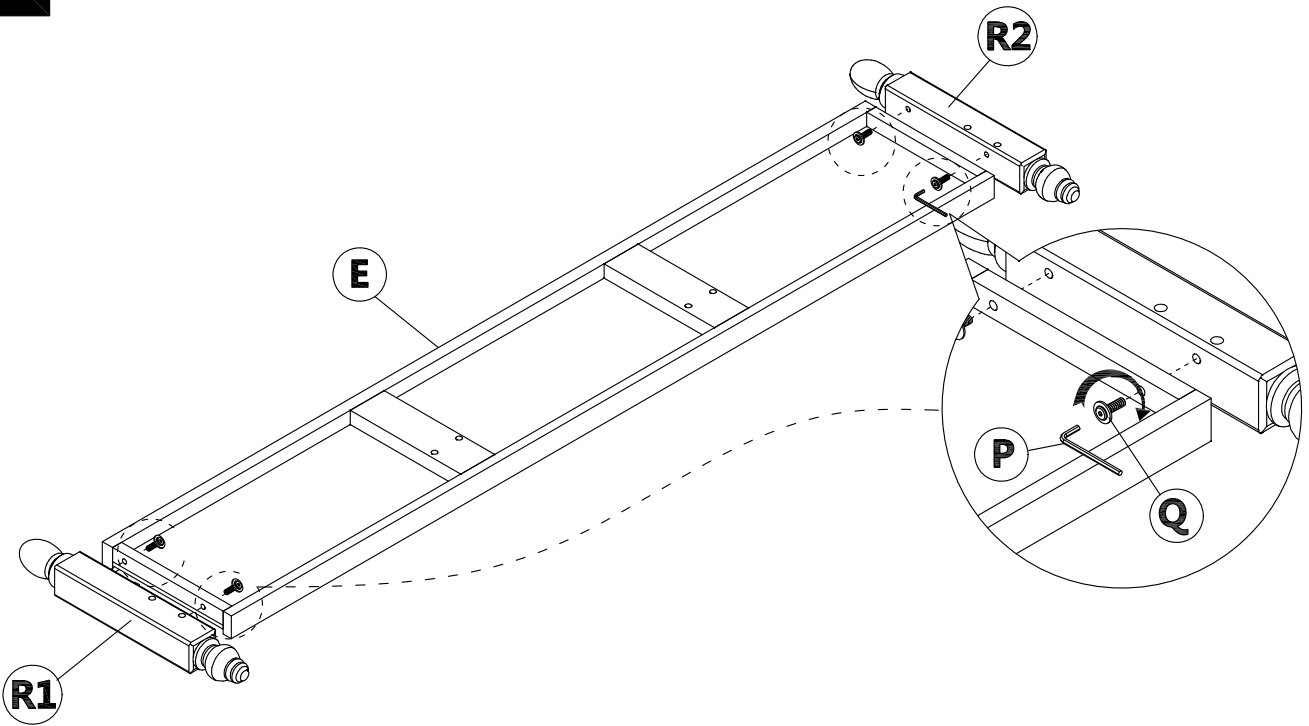
Screw U in parts D and D1, but do not fully tighten them yet. Insert part S into the hole of headboard and align the hole with U, then tighten the screw to lock parts D and D1 to the headboard.





	P x 1pc		T x 2pcs
	Q x 4pcs		U x 2pcs
	S x 2pcs		V x 1pc

ASSEMBLY INSTRUCTIONS

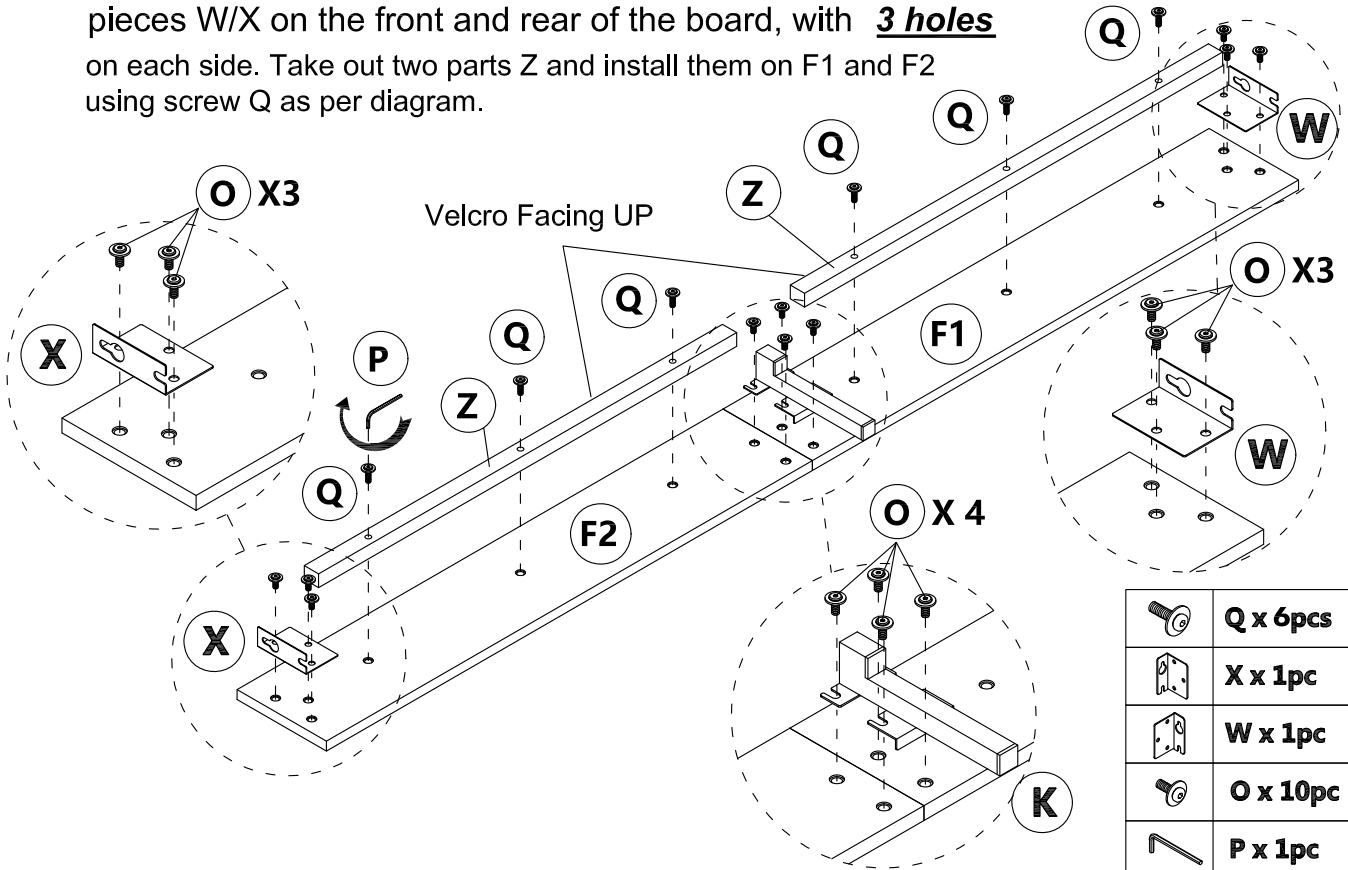
3








	Q x 4pcs
	P x 1pc

4

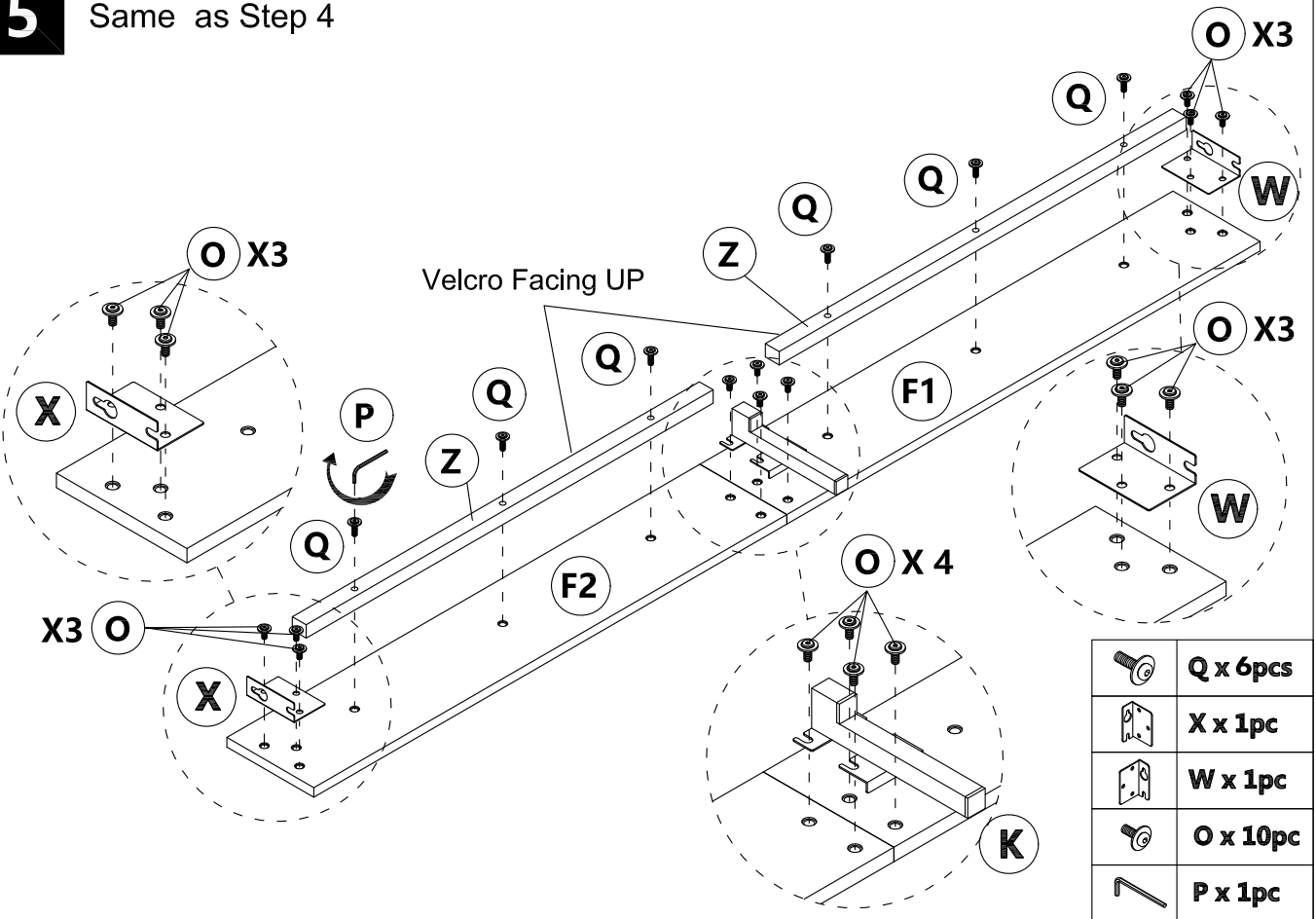
Take out parts F1 and F2, and lock the iron frame foot K in the middle as per diagram. Note that there are **2 holes** located on the inner side of the board. Then lock the bed hanging pieces W/X on the front and rear of the board, with **3 holes** on each side. Take out two parts Z and install them on F1 and F2 using screw Q as per diagram.



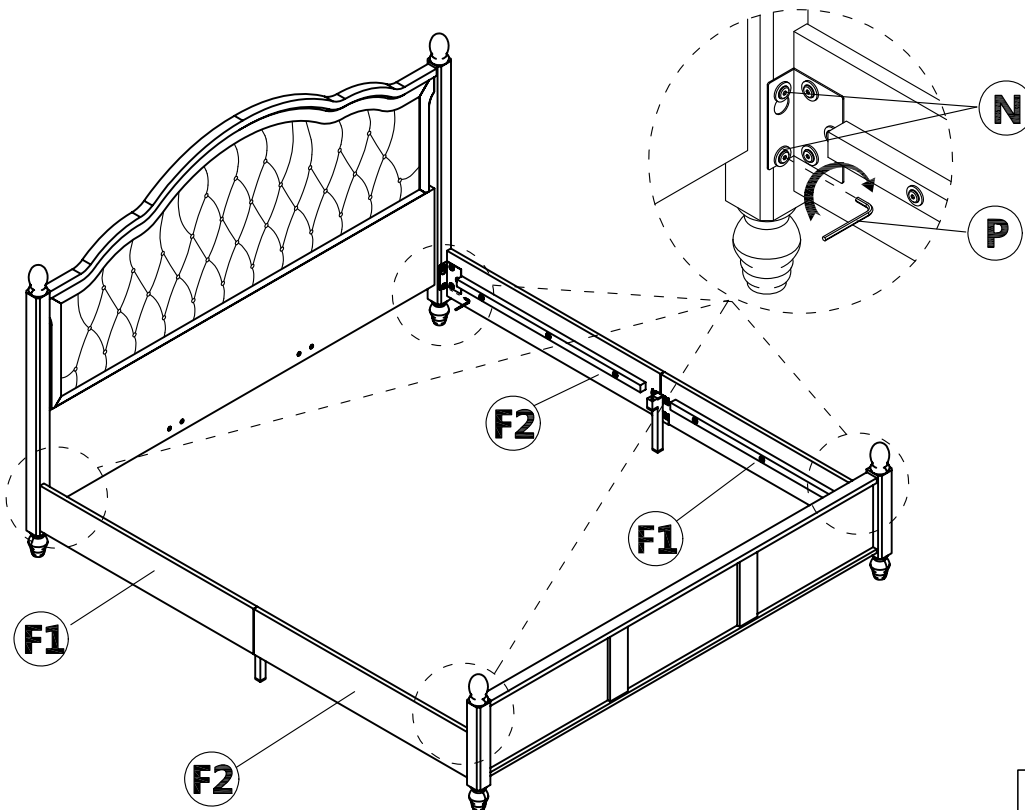
	Q x 6pcs
	X x 1pc
	W x 1pc
	O x 10pc
	P x 1pc

ASSEMBLY INSTRUCTIONS

5 Same as Step 4



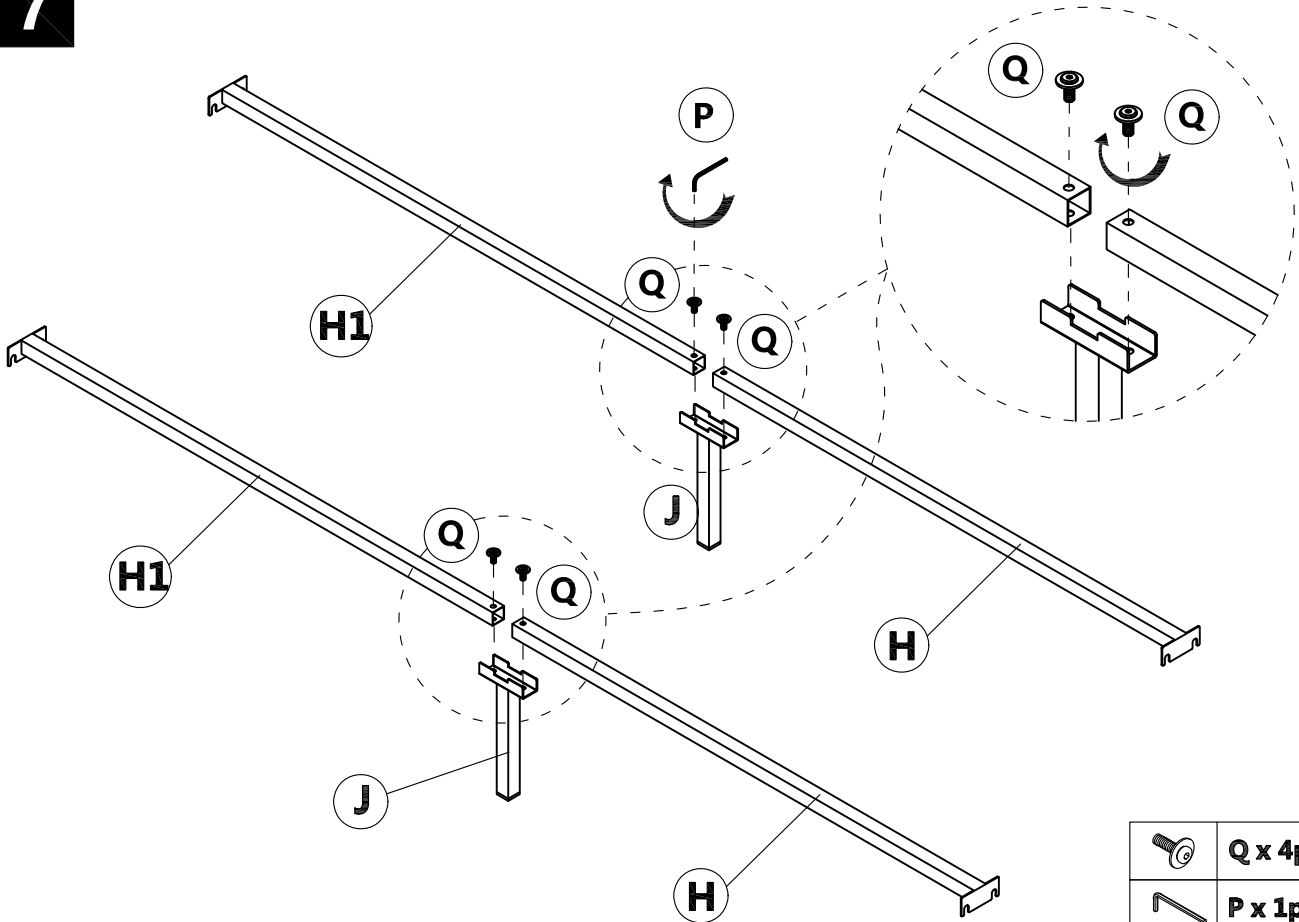
6





	N x 8pcs
	P x 1pc

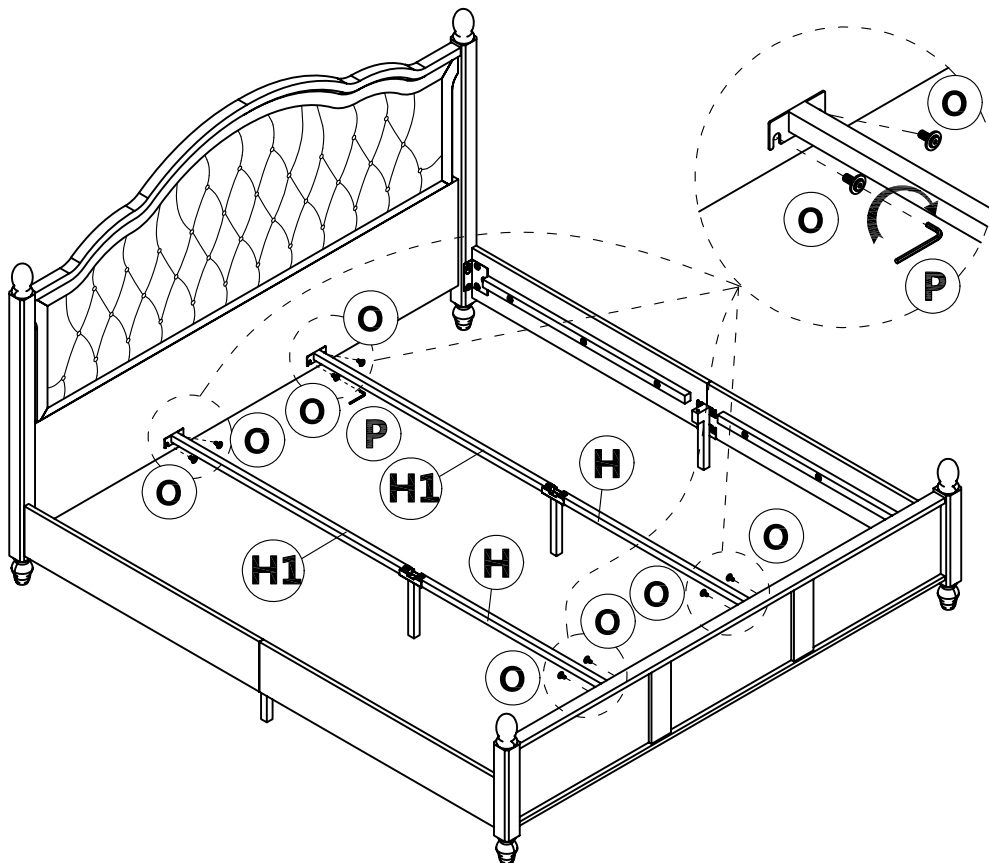
ASSEMBLY INSTRUCTIONS



7



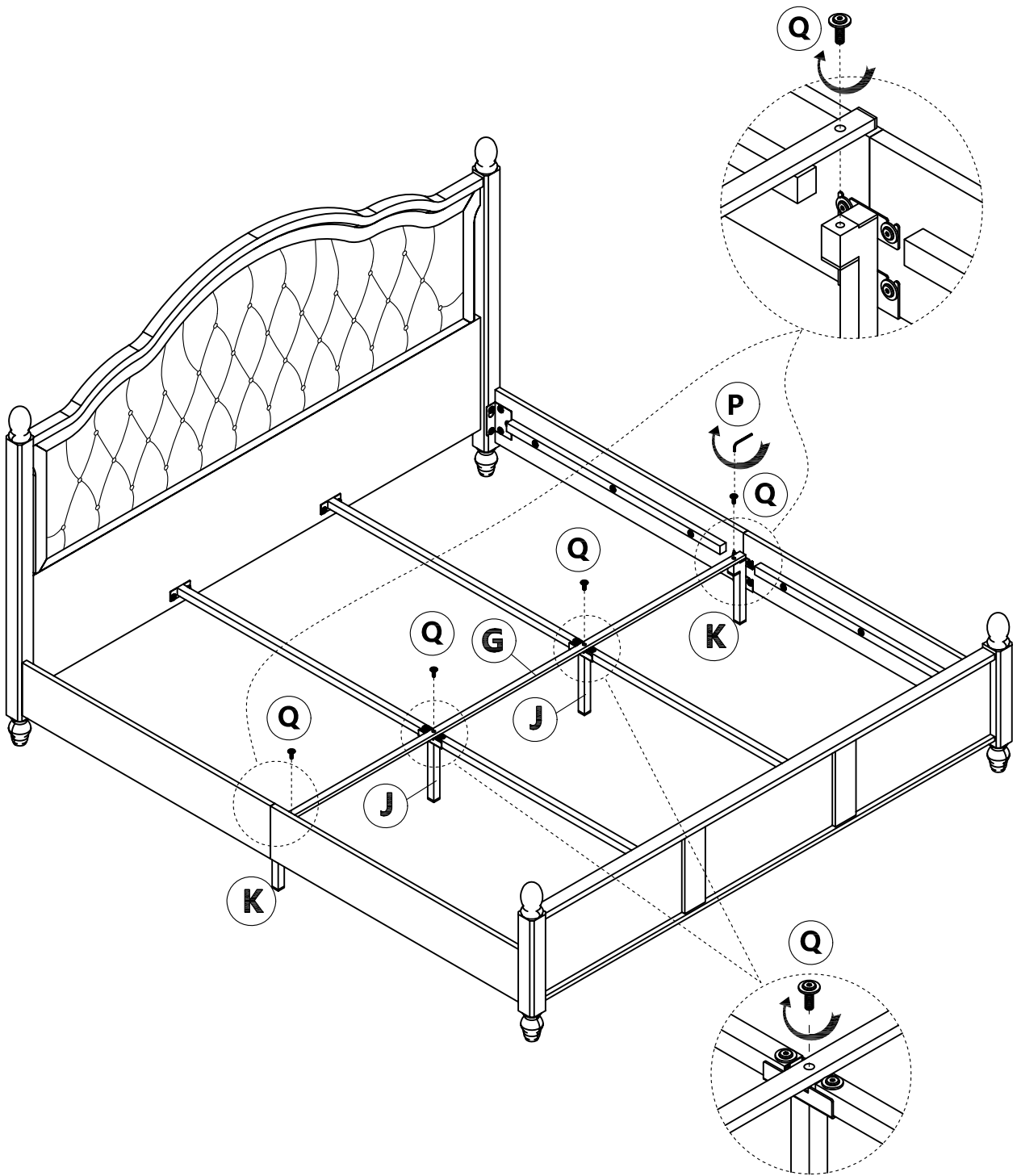
	Q x 4pcs
	P x 1pc



8



	O x 8pcs
	P x 1pc

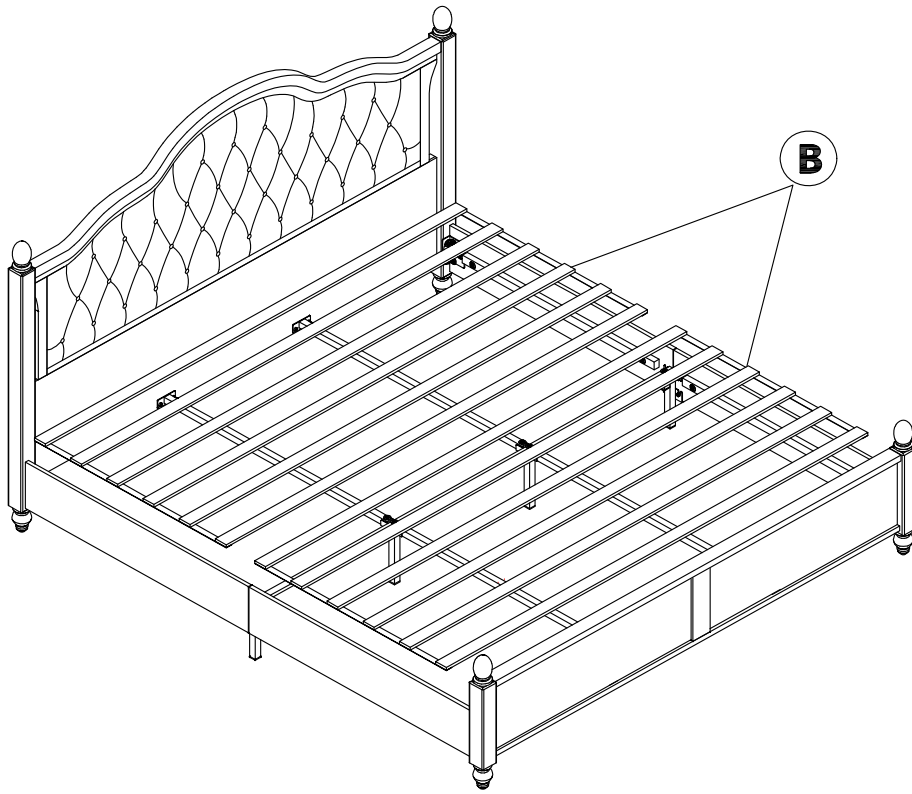
9



	Q x 4pcs
	P x 1pc

ASSEMBLY INSTRUCTIONS

10



11



Installation Complete