

Carbon Fiber Smart Drying Electric Towel Rack

Product Instruction Manual

Stainless steel 304

Electrostatic Spraying, Anti-leakage

Intelligent Timer, Automatic Power-off



Products Show:



8052C



8051C



8051



8052



8061



8062



8063



8065



8033



8055



8053



8032



8031



8083



8085



8081



8082

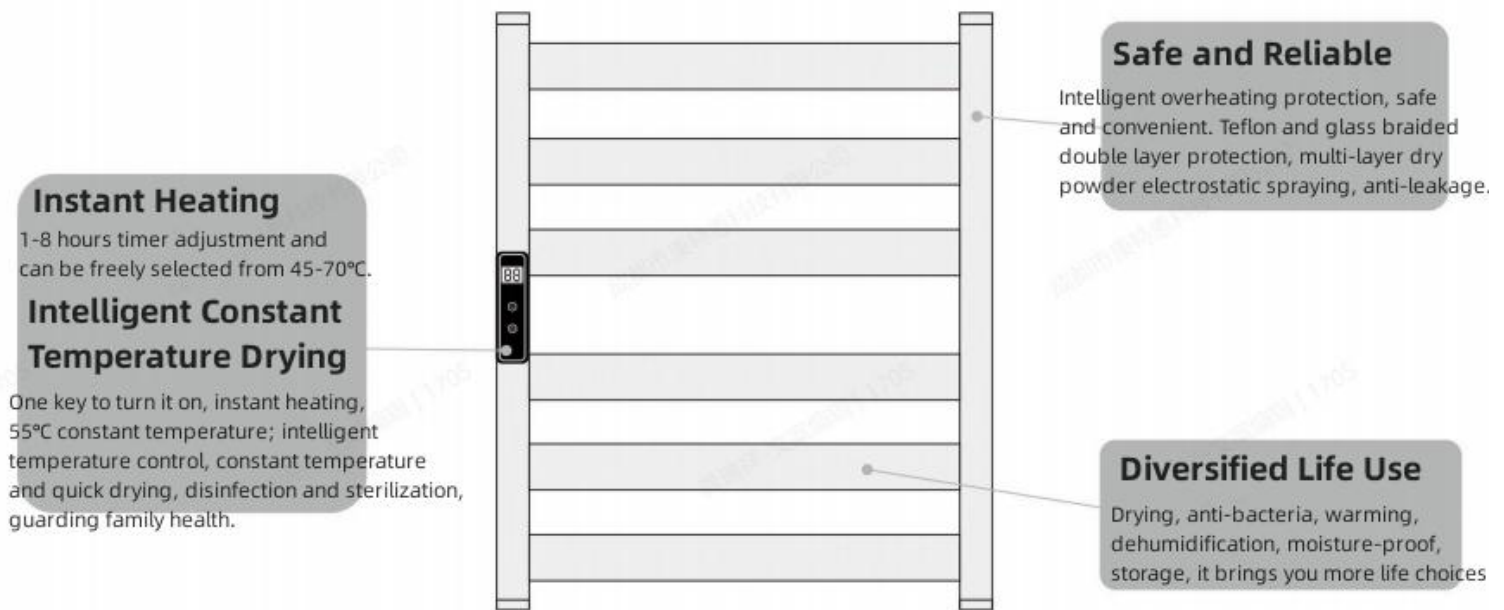
Dear Users:

Thank you for choosing to use our products, in order to facilitate your correct installation and use of this product, please read this manual carefully before installation and use, and follow the steps in this manual. After reading this manual, please keep it in a safe place for your reference. Please be sure to check the parts list on the installation drawings. If you have any questions about the use of the product, please contact us.

Contents

Product Characteristics.....1
Instructions for Use of the Product.....2
Instructions for Users.....3
Installation Instructions.....4

I. Features

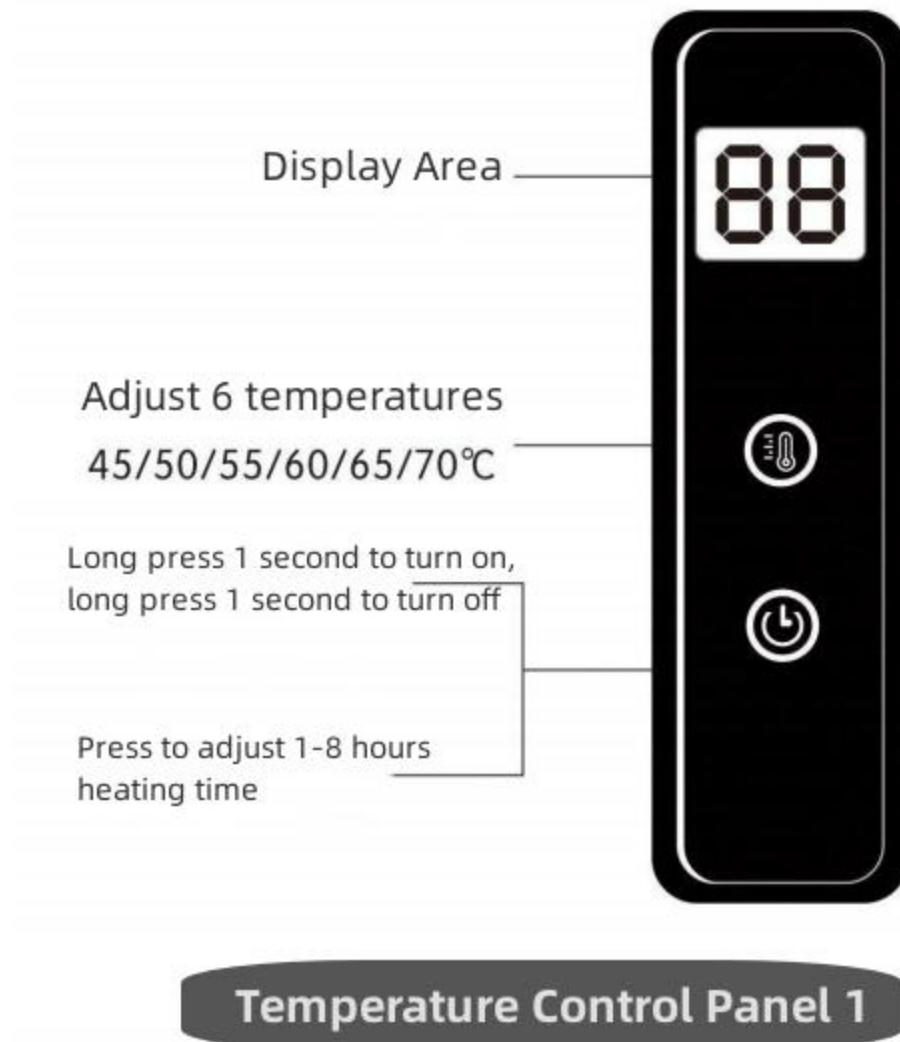


Wide Compatibility

This product is widely used in homes, hotels, commercial properties, entertainment clubs, shopping centers ,and many other industry sectors. With the development of the smart home industry, we will make continuous efforts to comprehensively assist our customers and enhance our competitiveness.

II. Temperature Control Panel Instructions

It comes to you with timer and adjustable temperature functions and upgraded safety features. It comes with the convenient and simple operation and clear labeling, even the elderly and children can understand how to use.



III. User Instructions

1. Precautions for safe use:

- (1) Before using this product, you must carefully read and understand the instruction manual;
- (2) This product is only used for drying washed textiles. Silk fabrics are prohibited to use this product to heat drying;
- (3) The product must be connected to a power supply that matches the rated voltage shown on the sign of the product;
- (4) This product is prohibited from use when the heating element or shell is damaged;
- (5) The product is supplied with a matching triangular plug and a three-core power cord, and the product must be grounded to avoid safety hazards and dangers;
- (6) The product must not be connected to the power supply until the maintenance or cleaning work is finished;
- (7) If the external wiring device needs to be repaired, the power supply must be completely disconnected;
- (8) For those who are not experienced in electrical safety operation, please use the product under the supervision and guidance of a professional and ensure safety during use;
- (9) To avoid injury to infants, the lowest heating shelf should be installed at least 600mm from the floor;
- (10) This product should be installed or used as far away as possible from showers, bathtubs, or places where water can easily be splashed.
- (11) If the power cord is damaged, please have it replaced by the manufacturer or by a qualified electrician or

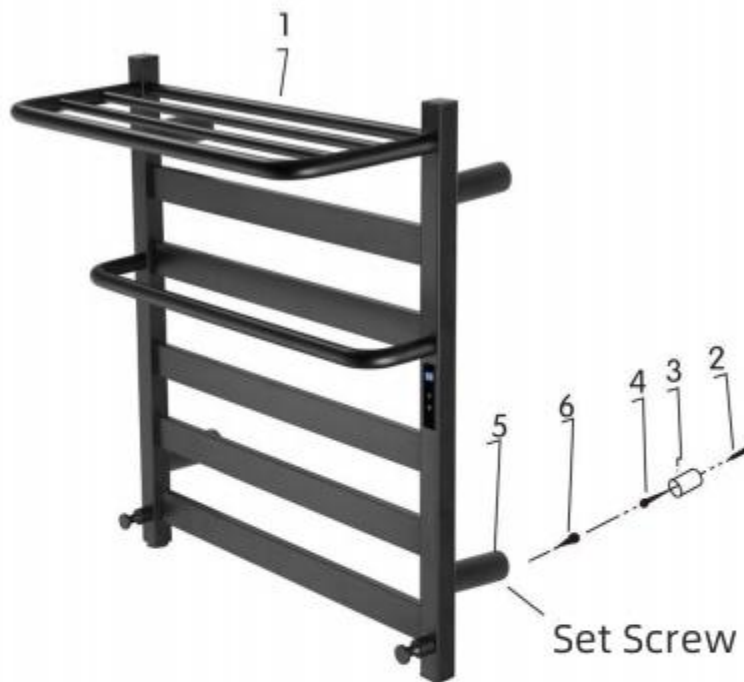
similar professional to avoid danger.

2. How to Clean the Electric Towel Rack

- (1) Please be sure to unplug the power supply and allow the electric towel rack to cool down before each cleaning of the dryer/electric towel rack.
- (2) Never immerse the dryer/electric towel rack, power cord, or power plug in water.
- (3) Make sure the electrical wiring is dry.
- (4) Wipe the electric towel rack housing with a damp cloth and then dry it with a dry soft cloth.

Note: Never use metal balls or other rough and hard wipes to clean the towel rack to avoid damaging the surface of the towel rack.

IV. Installation Instructions (Installation Schematic Shown Below as An Example)



Nail-free Installation Tools



No.	Name/Spec.	Qt.
1	Towel Holder	1PCS
2	Expansion Screw Sleeve	4PCS
3	Fixing Copper Parts	4PCS
4	Self-tapping Screws	4PCS
5	Pedestals	4PCS
6	5mm Screws	4PCS

Concealed Installation Method

1. Use (6) screws to connect (5) pedestals with towel rack main frame.
2. Mark the position for the pedestals on the wall.
3. Place (3) copper parts (deep hole end outward) with (4) self-tapping screws on the wall to fix it.
4. Set the towel rack and lock the set screw on the pedestal.
5. Complete installation.

Nail-free Installation Method

1. Attach (5) pedestals to towel rack main frame with (6) screws.
2. Mark the position for the pedestals on the wall.
3. Use (8) 6mm screws to fit (3) copper parts brass parts (hole deep one end outward) to (7) nail-free bottom piece, use nail-free glue (9) to fix the bottom piece on the wall.
4. 48 hours later, put on the towel rack and lock the set screw on the foot base.
5. Complete the installation