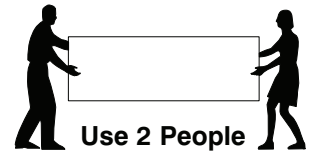
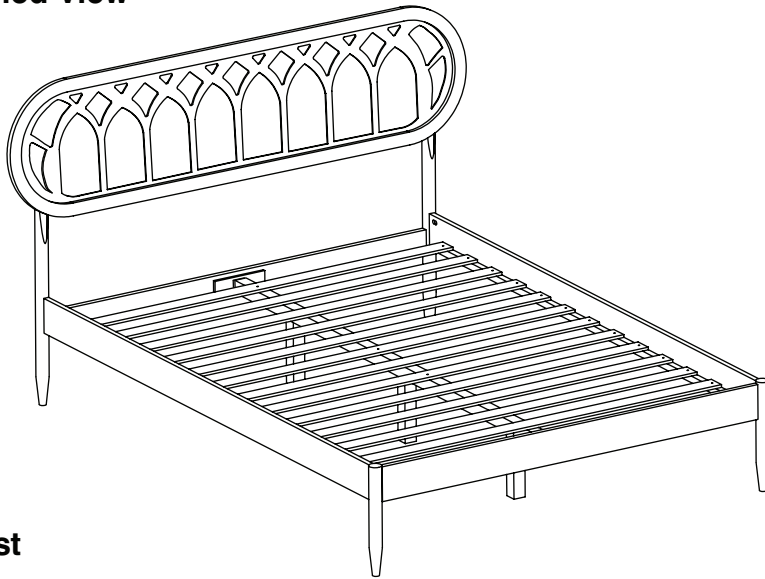


# 0240-1 Queen Bed

## Assembly Instructions

WI-0724

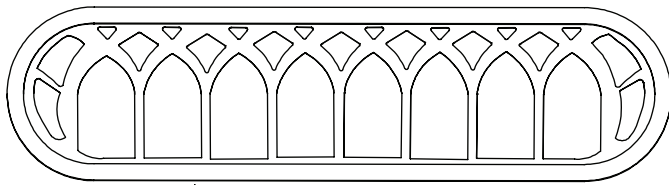
### 1 Assembled View



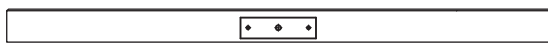
**Note:** Do not assemble using power tools. This can cause the bolts to be overtightened

### 2 Parts List

#### Parts in Box A:



**A** Headboard Panel x 1



**B** Headboard Support x 1

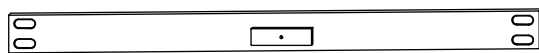


**C**  
Headboard Post (Left) x 1



**D**  
Headboard Post (Right) x 1

#### Parts in Box B:



**E** Footboard Panel x 1

**H**

Footboard Post (Left Hand) x 1



**J**

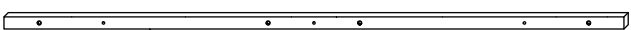
Footboard Post (Right Hand) x 1



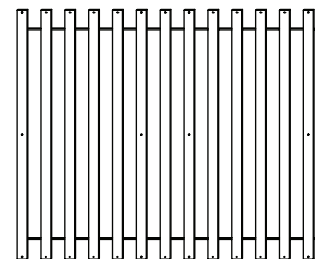
**F** Side Rail x 2



**K**  
Support Leg x 3



**G** Long Support x 1



**L** Set of Bed Slats x 1

# 0240-1 Queen Bed

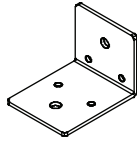
## Assembly Instructions

WI-0724

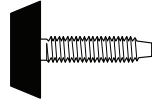
### 3 Hardware List



1 M4 Allen Key  
x 1



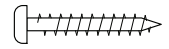
2 Center Rail  
Bracket x 2



3 Adjustable  
Foot x 3



4 Barrel Nut  
x 3



5 Wood Screw  
(M4 x 32mm)  
x 18



6 Wood Dowel  
(10 x 40mm) x 6



7 M6 x 15mm JCB  
x 4



8 M6 x 30mm JCB  
x 4

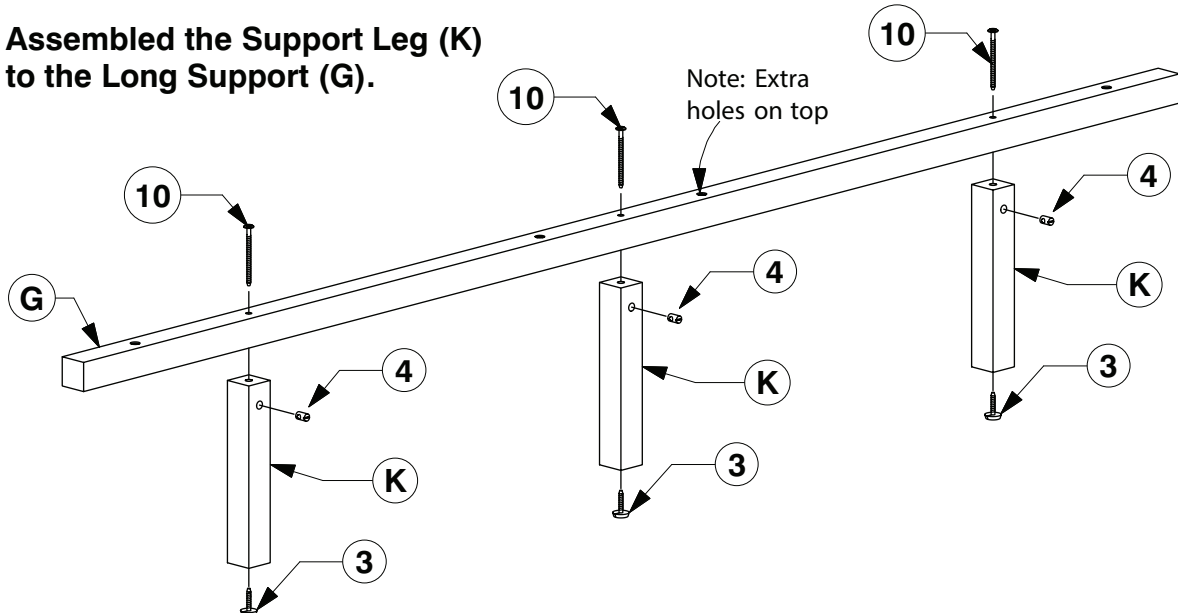


9 M6 x 40mm JCB  
x 28

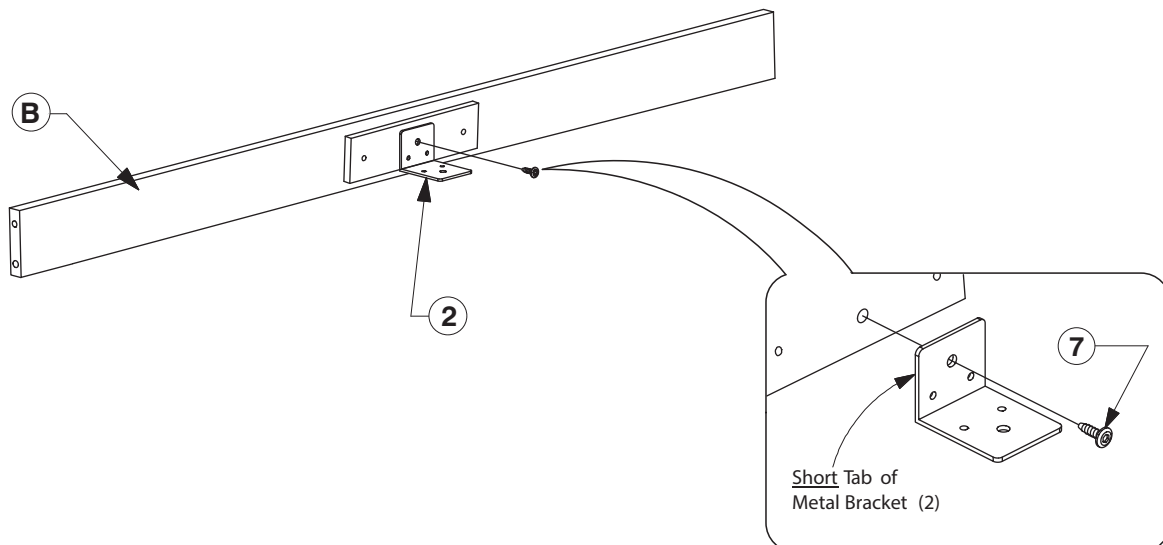


10 M6 x 90mm JCB x 3

### 4 Assembled the Support Leg (K) to the Long Support (G).



### 5 Fit the Center Rail Bracket (2) to the Headboard Support (B).

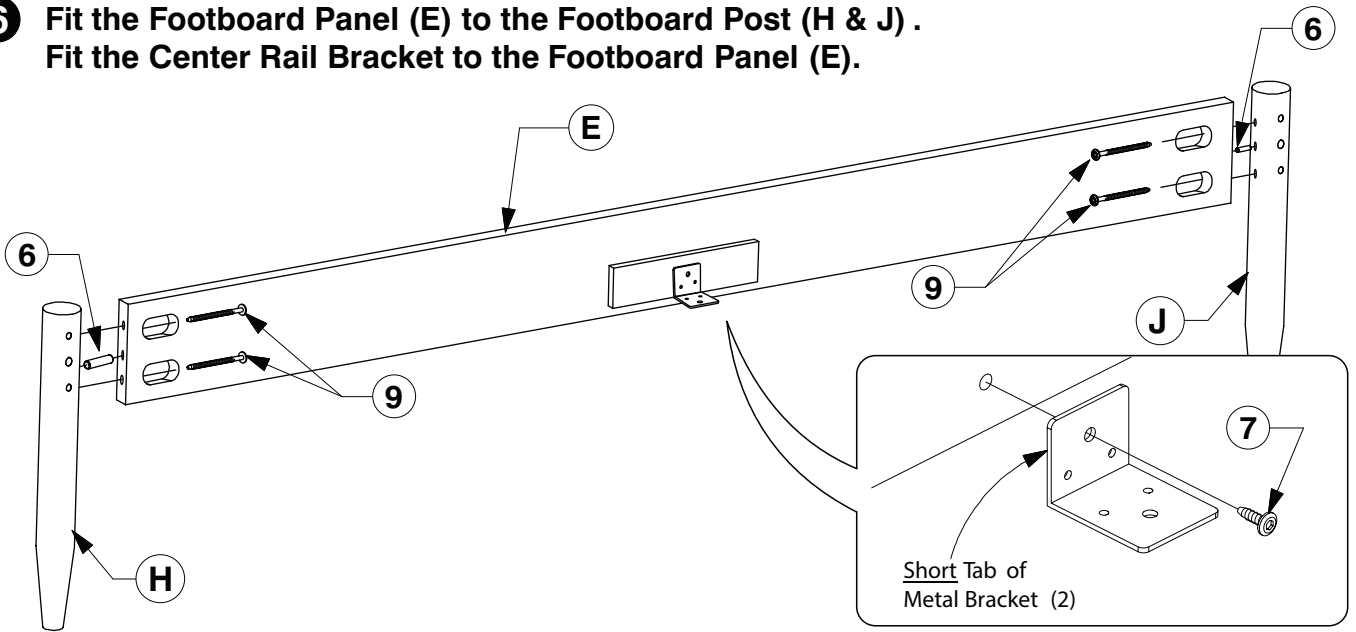


# 0240-1 Queen Bed

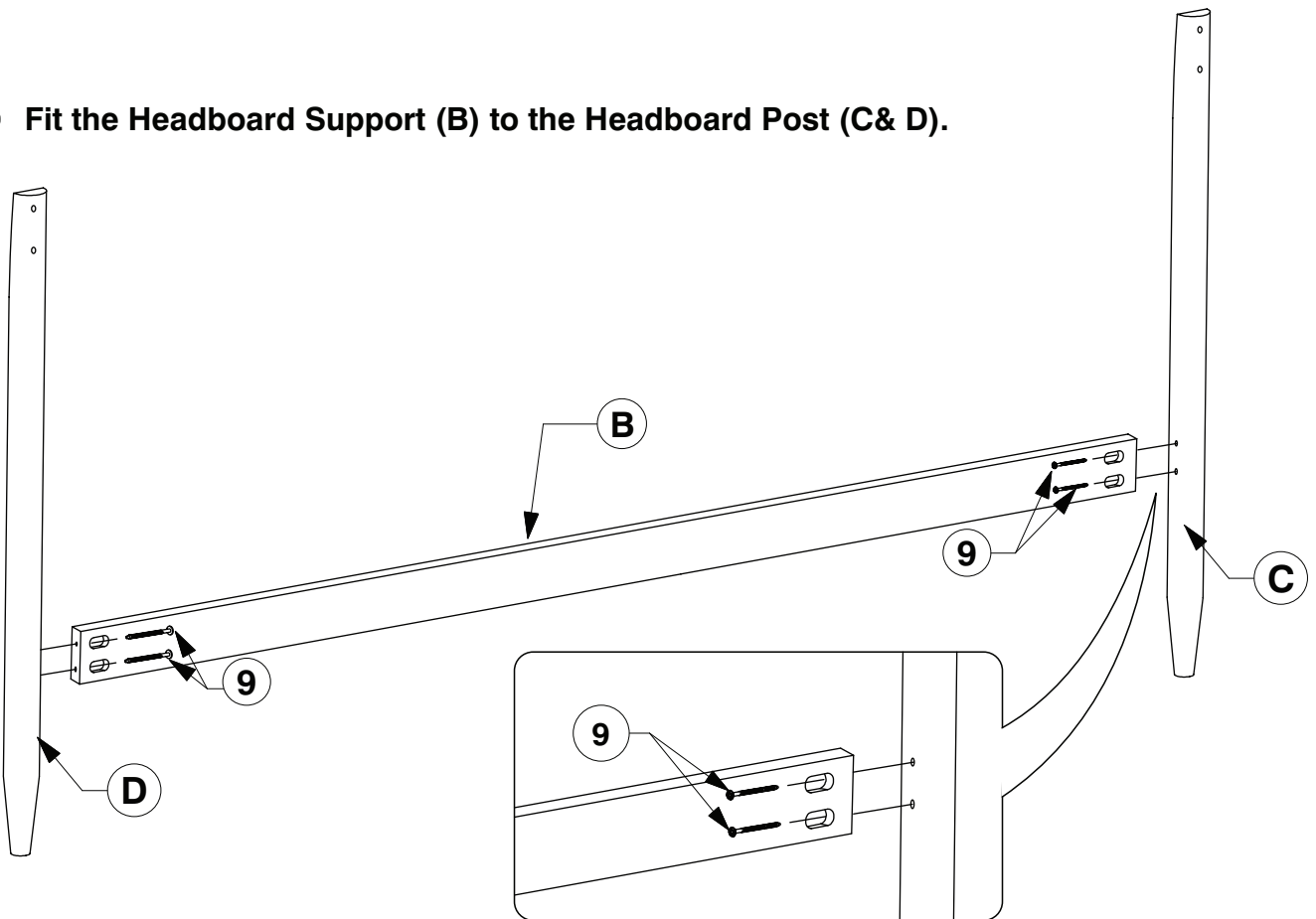
## Assembly Instructions

WI-0724

- 6** Fit the Footboard Panel (E) to the Footboard Post (H & J).  
Fit the Center Rail Bracket to the Footboard Panel (E).



- 7** Fit the Headboard Support (B) to the Headboard Post (C & D).

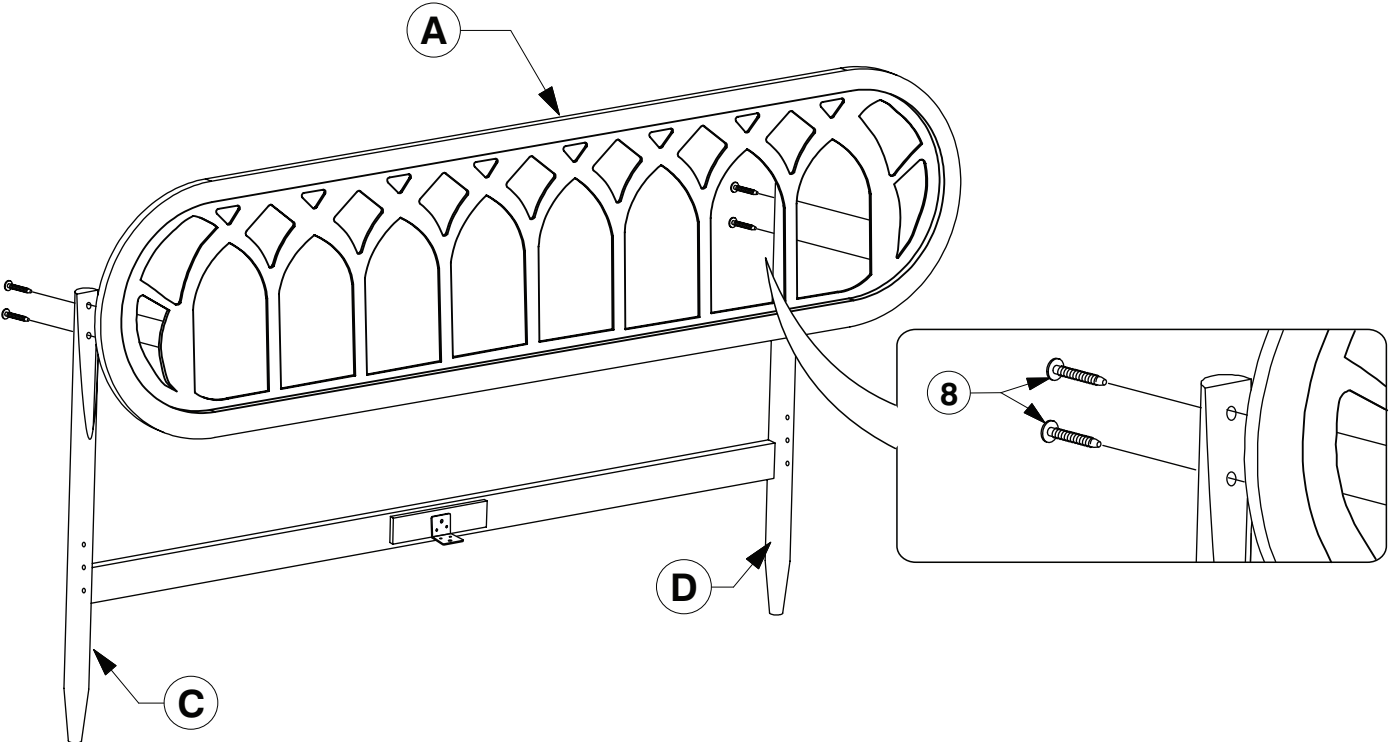


# 0240-1 Queen Bed

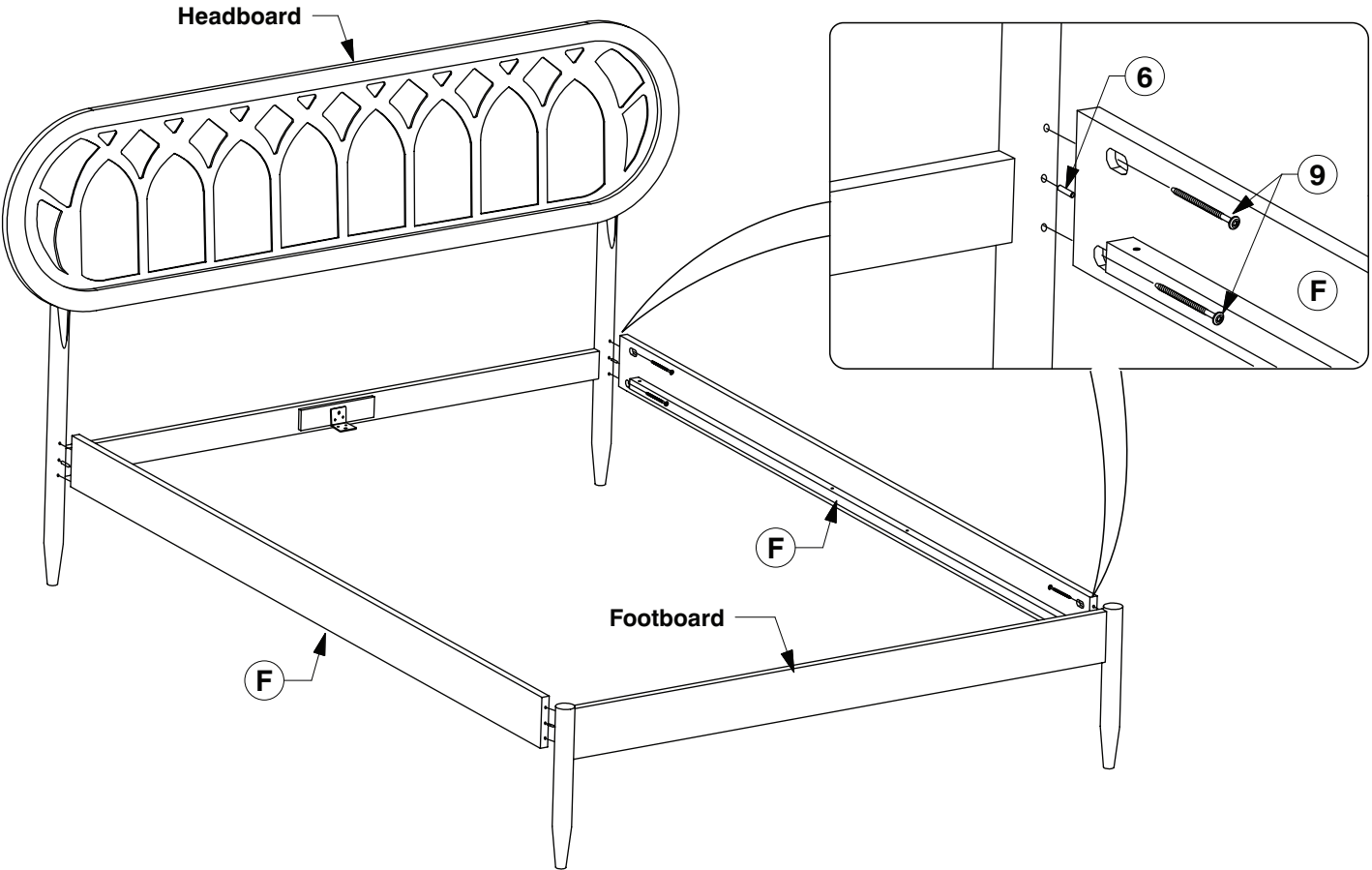
## Assembly Instructions

WI-0724

**8** Fit the Headboard Panel (A) to the Headboard Post (C & D).



**9** Assemble the Side Rail (F) to the Headboard & Footboard.

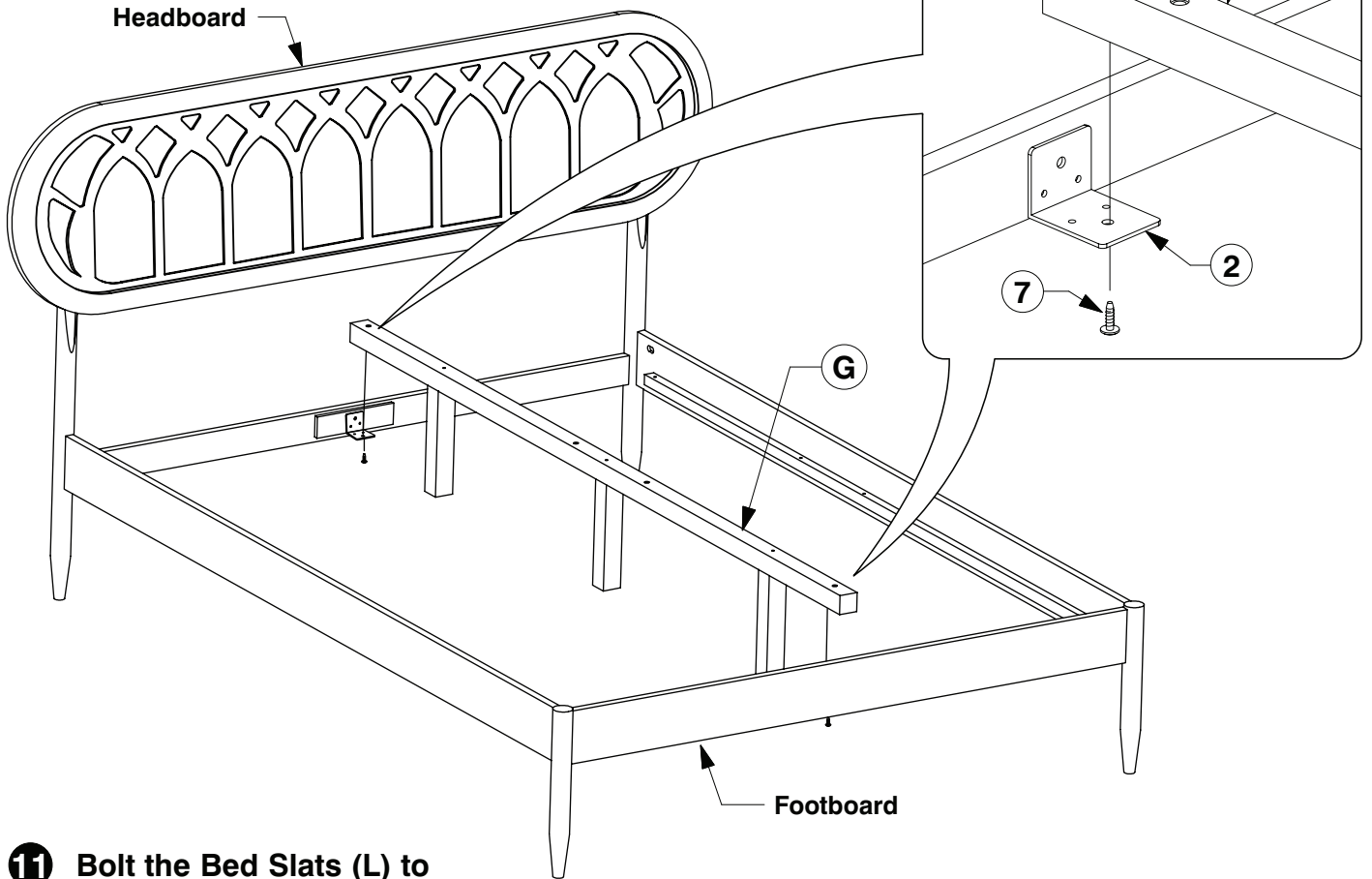


# 0240-1 Queen Bed

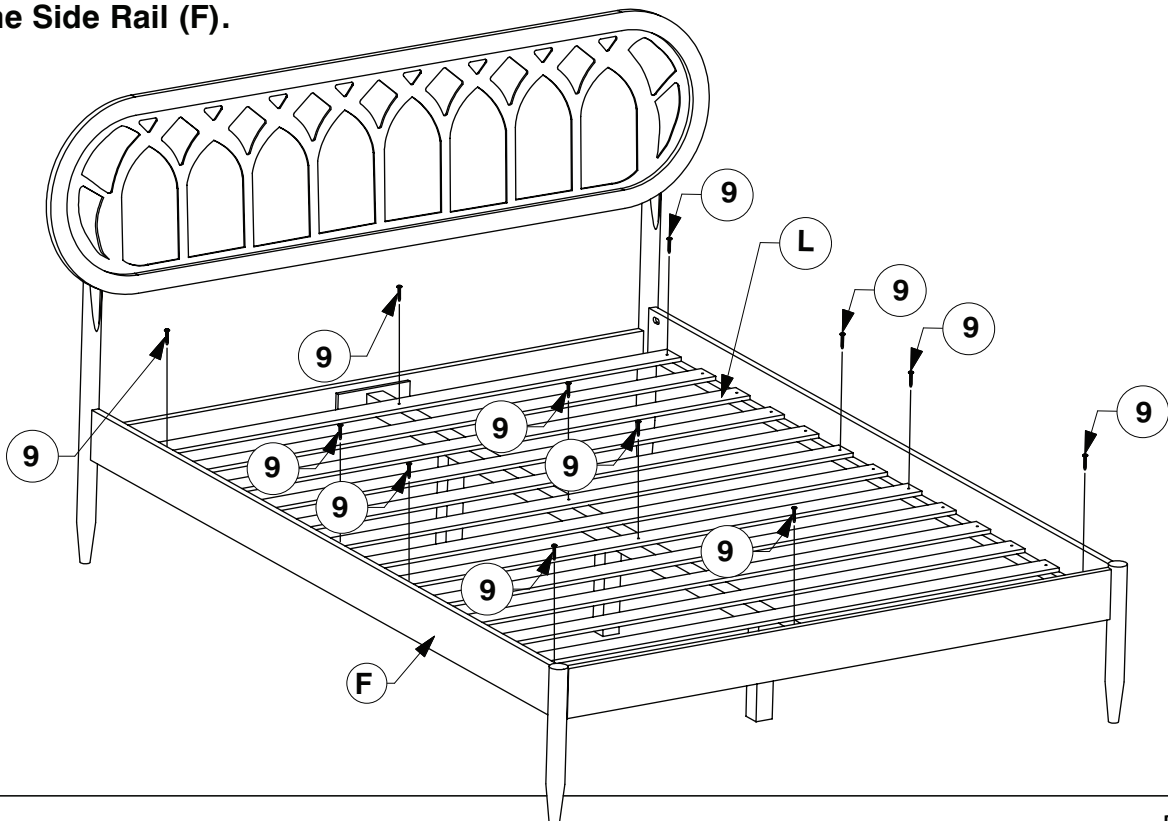
## Assembly Instructions

WI-0724

- 10** Bolt the Long Support (G) to the Center Rail Brackets (2) on the Headboard / Footboard.



- 11** Bolt the Bed Slats (L) to the Side Rail (F).



---

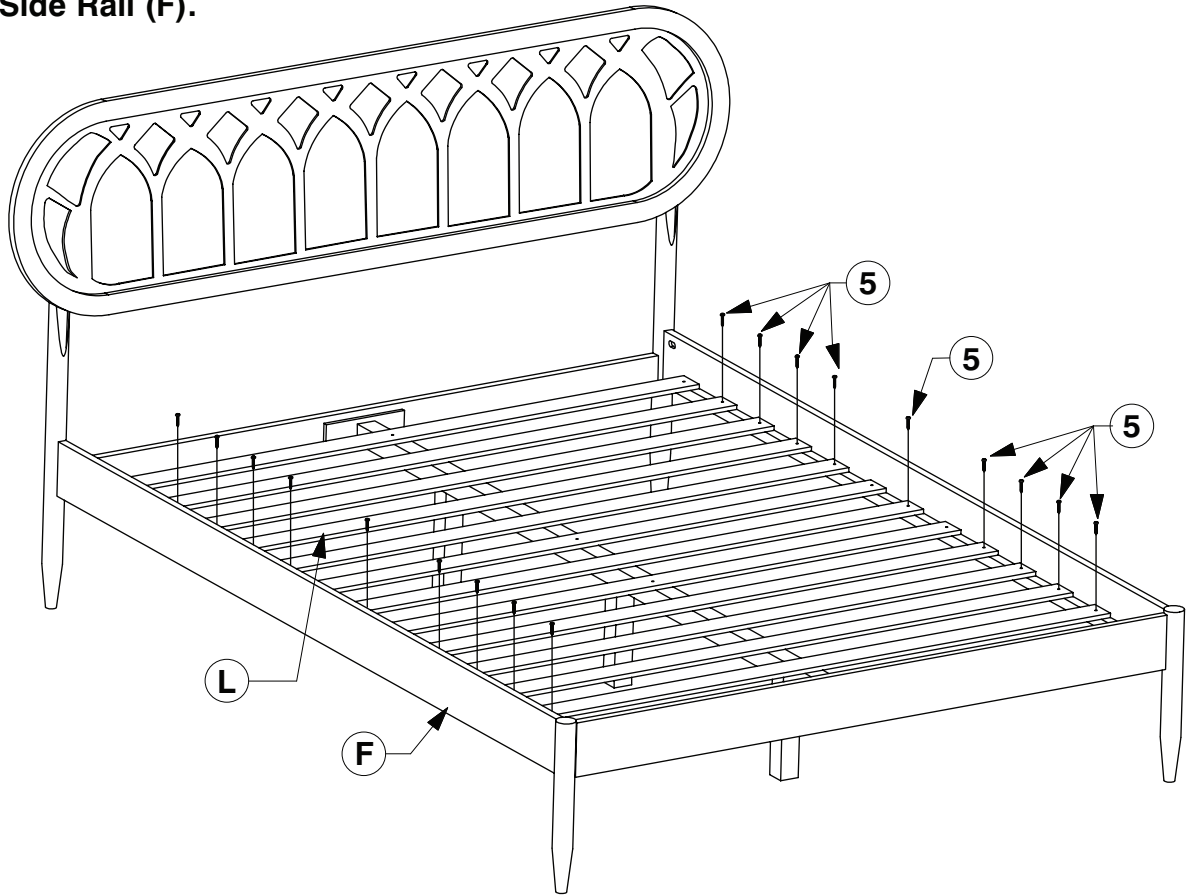
# 0240-1 Queen Bed

## Assembly Instructions

---

WI-0724

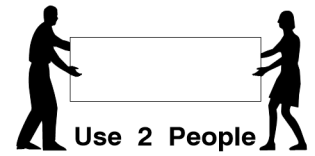
- 12** Screw the Bed Slats (L) to the Side Rail (F).



# 9013 6 Drawer Dresser

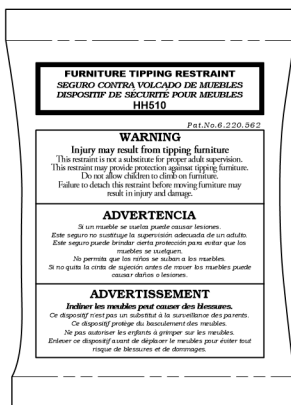
Assembly Instructions

WI-0724



**Note:** Do not assemble using power tools. This can cause the bolts to be overtightened

## WARNING



Anti Tipping Kit  
Anti Tipping Kit x 1



**Children have died from furniture tipover.**

**To reduce the risk of furniture tipover:**

- ALWAYS install anti-tip device provided.
- NEVER put a TV on this product.
- NEVER allow children to stand, climb, or hang on any drawers, doors or shelves.
- NEVER open more than one drawer at a time.
- DO NOT defeat or remove the drawer interlock system; it is an important stability and safety system.
- Place heaviest items in the lowest drawer.

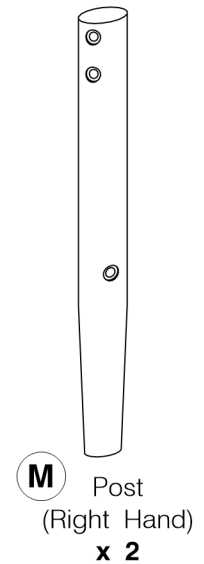
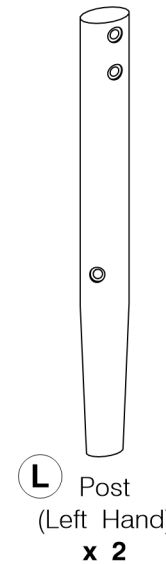
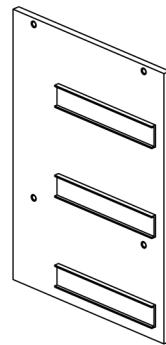
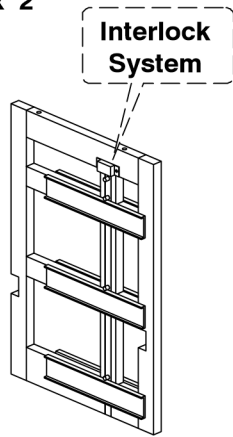
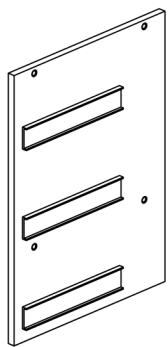
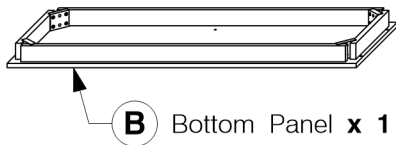
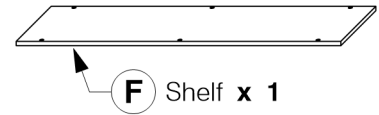
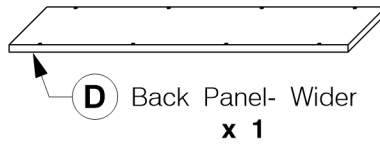
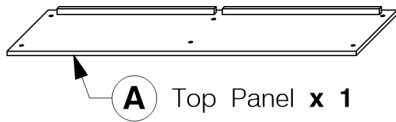
# 9013 6 Drawer Dresser

Assembly Instructions

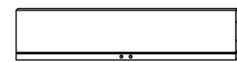
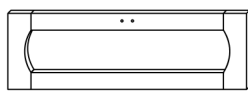
WI-0724

## 1 Parts List

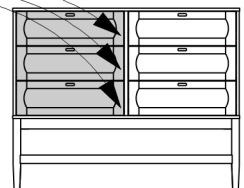
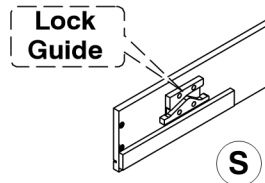
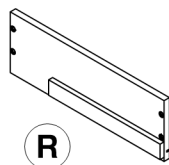
### Parts in Box A:



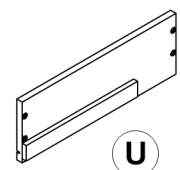
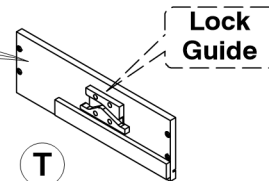
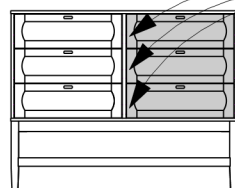
### Parts in Box B:



#### Parts for LEFT Side Drawer



#### Parts for RIGHT Side Drawer

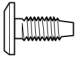
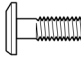
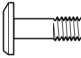

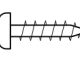
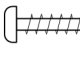
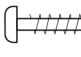

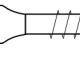





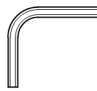


# 9013 6 Drawer Dresser

Assembly Instructions

WI-0724

## 2 Hardware List

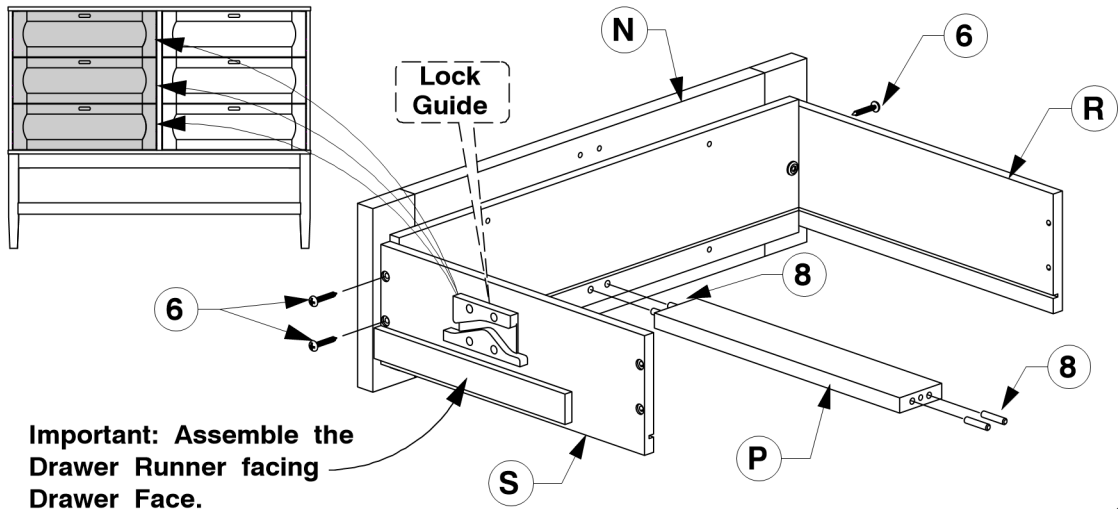
- |   |   |   |  |   |
|---|---|---|--|---|
|  |  |  |  |  |
| 1 M6 x 15mm JCB<br>x 28   | 2 M6 x 30mm JCB<br>x 2  | 3 M6 x 40mm JCB<br>x 4  | 4 M6 x 60mm JCB<br>x 10  | 5 Wood Screw (M4 x 20mm)<br>x 24  |
|  |  |  |  |  |
| 6 Wood Screw (M4 x 25mm)<br>x 60  | 7 Wood Screw (M4 x 32mm)<br>x 16  | 8 M6 x 25mm Wood Dowel<br>x 24  | 9 CSK Cap Wood Screw (M6 x 60mm)<br>x 6  | 10 'L' Bracket (5005-3)<br>x 14   |
|  |  |  |  |  |
| 11 Spring Washer x 8  | 12 Flat Washer x 8  | 13 M4 x 25mm Wood Screw<br>x 12   | 14 Handle (3321-25)<br>x 6   | 15 Allen Key x 1  |

## 3 Assemble the Drawers.

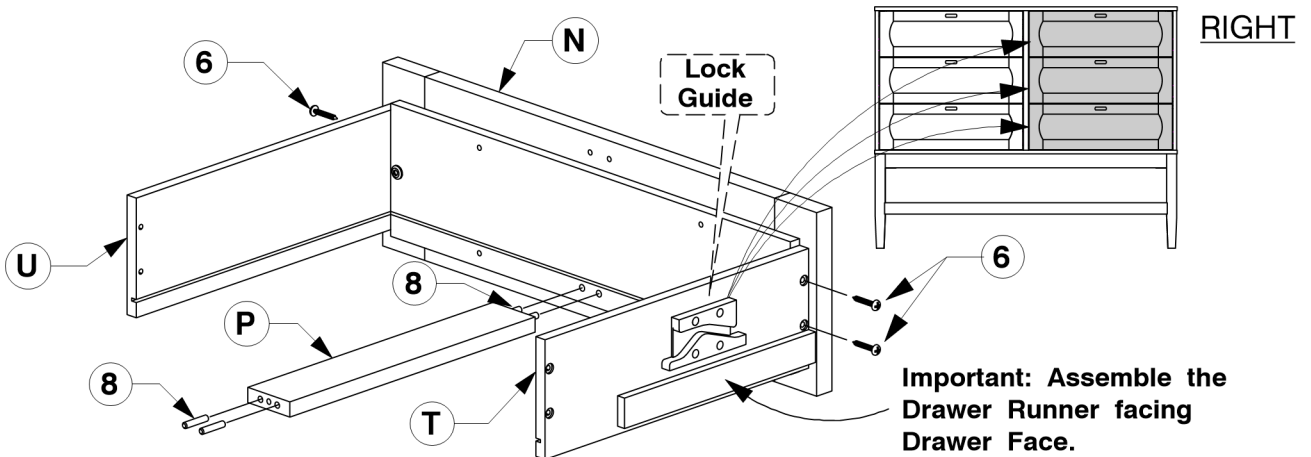
### STEP 3.1

X 3

LEFT



X 3



RIGHT

# 9013 6 Drawer Dresser

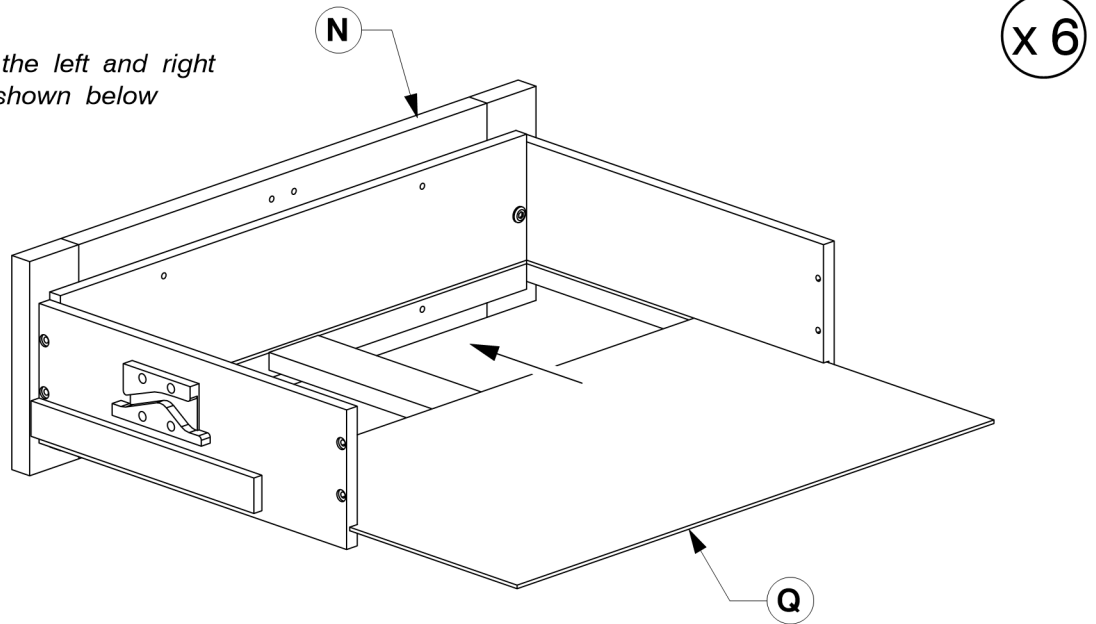
Assembly Instructions

WI-0724

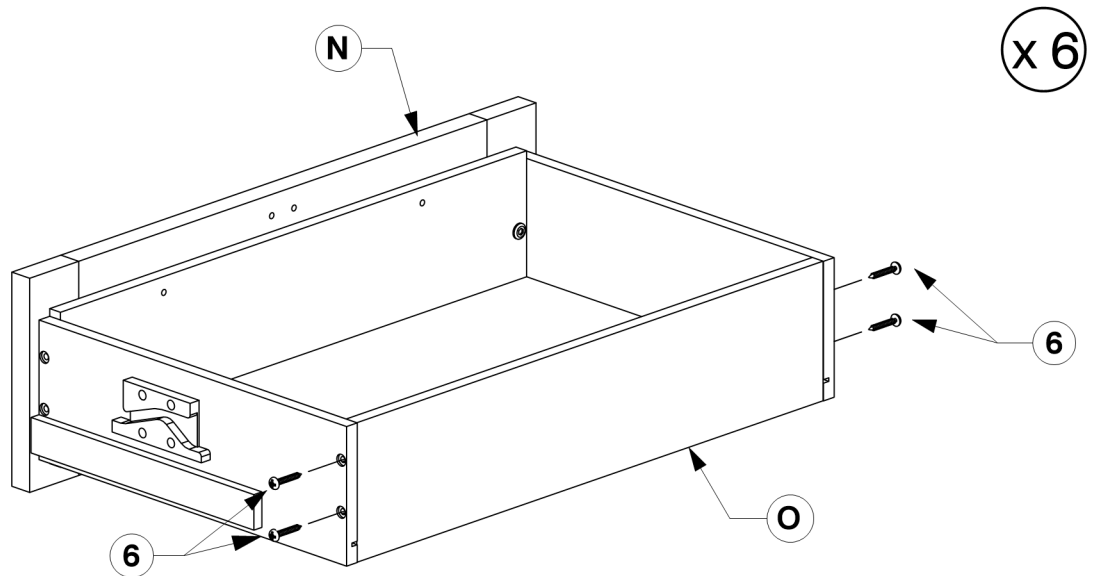
## 3 Assemble the Drawers.

### STEP 3.2

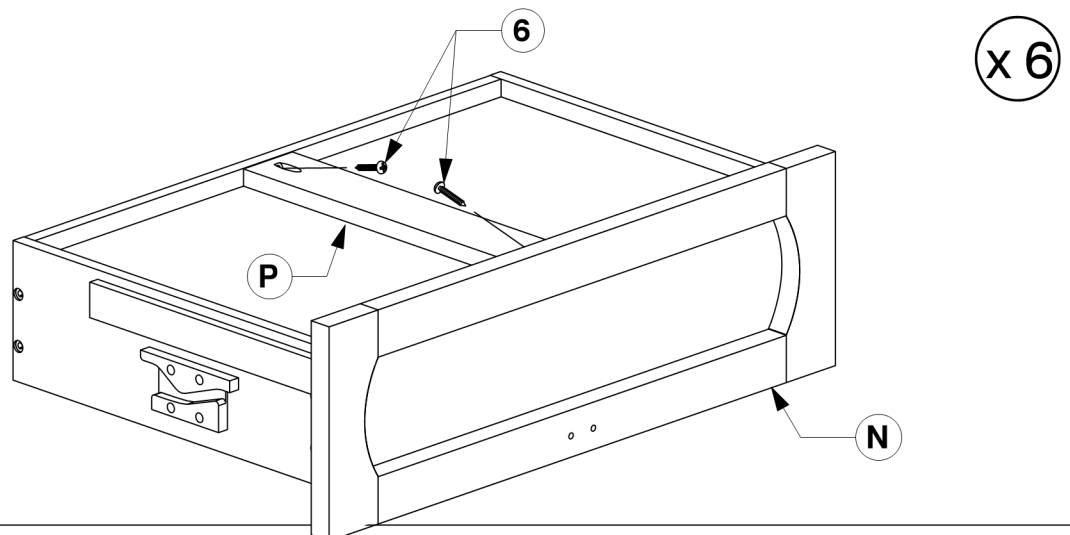
\* 3 Assemble the left and right drawers as shown below



### STEP 3.3



### STEP 3.4

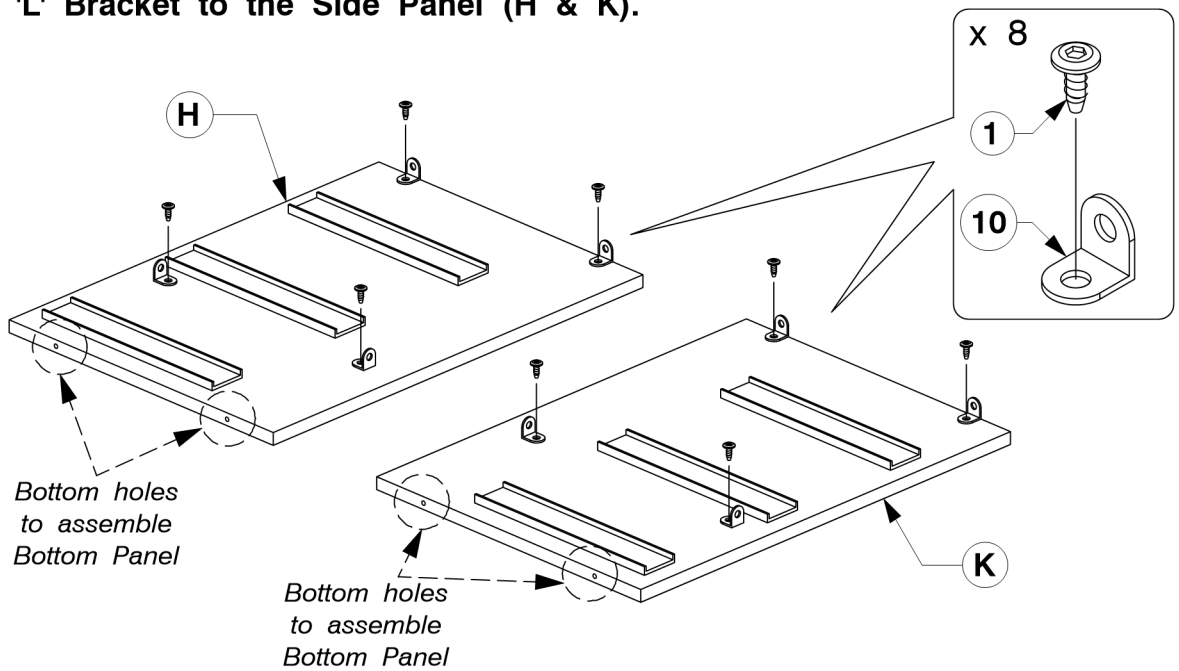


# 9013 6 Drawer Dresser

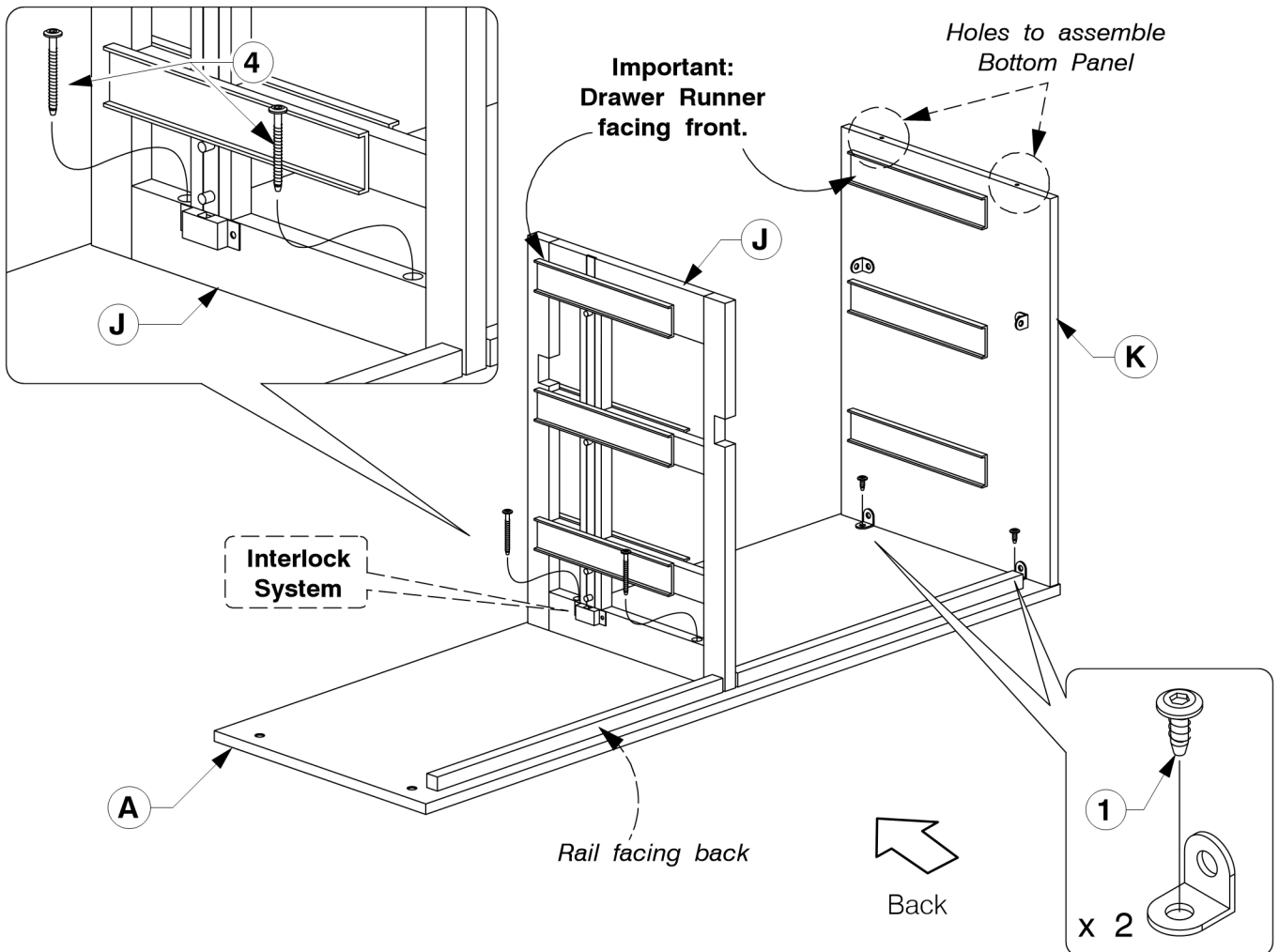
Assembly Instructions

WI-0724

## 4 Fit the 'L' Bracket to the Side Panel (H & K).



## 5 Fit the Side Panel- Right Hand (K) & Center Frame (J) to the Top Panel (A).

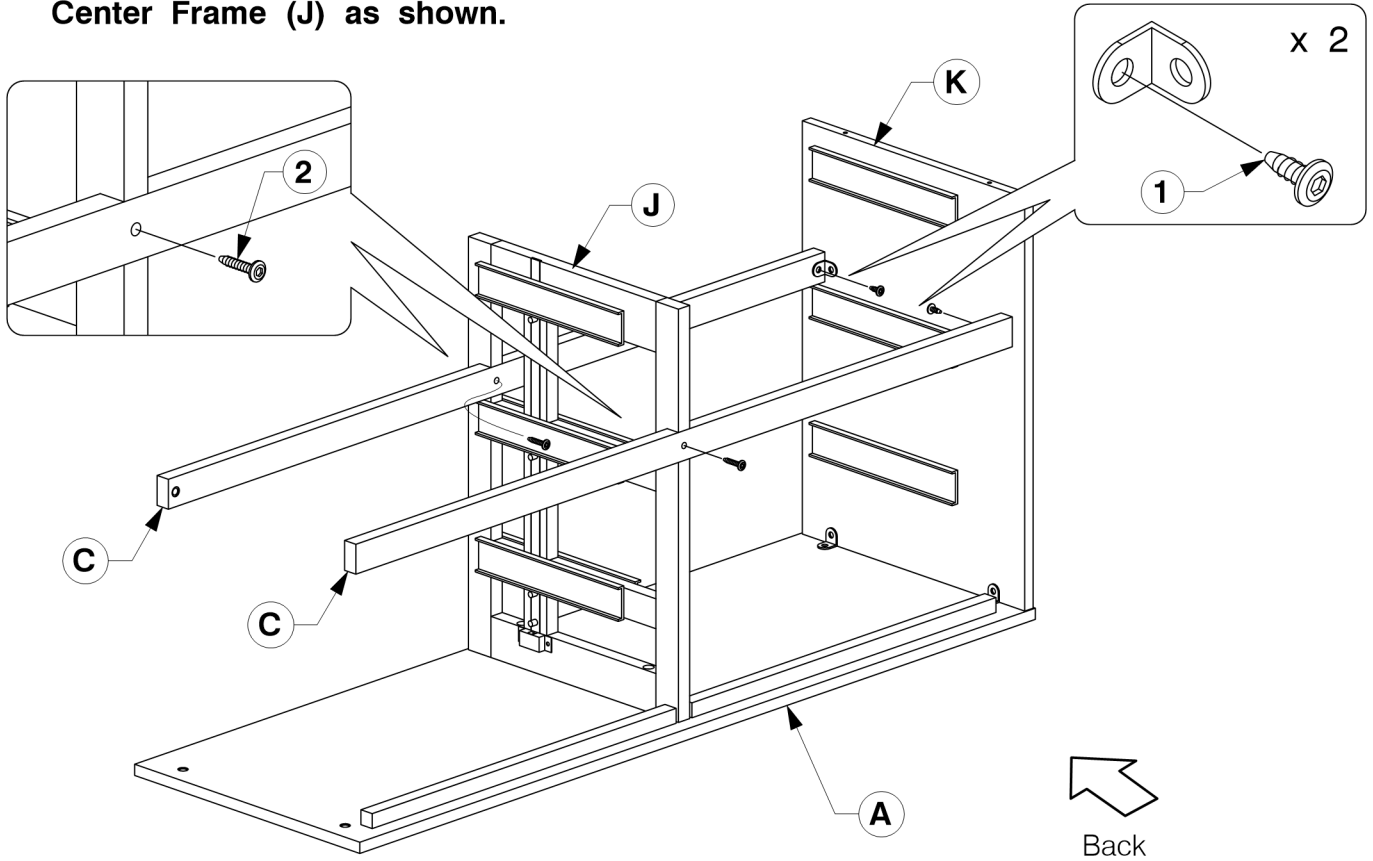


# 9013 6 Drawer Dresser

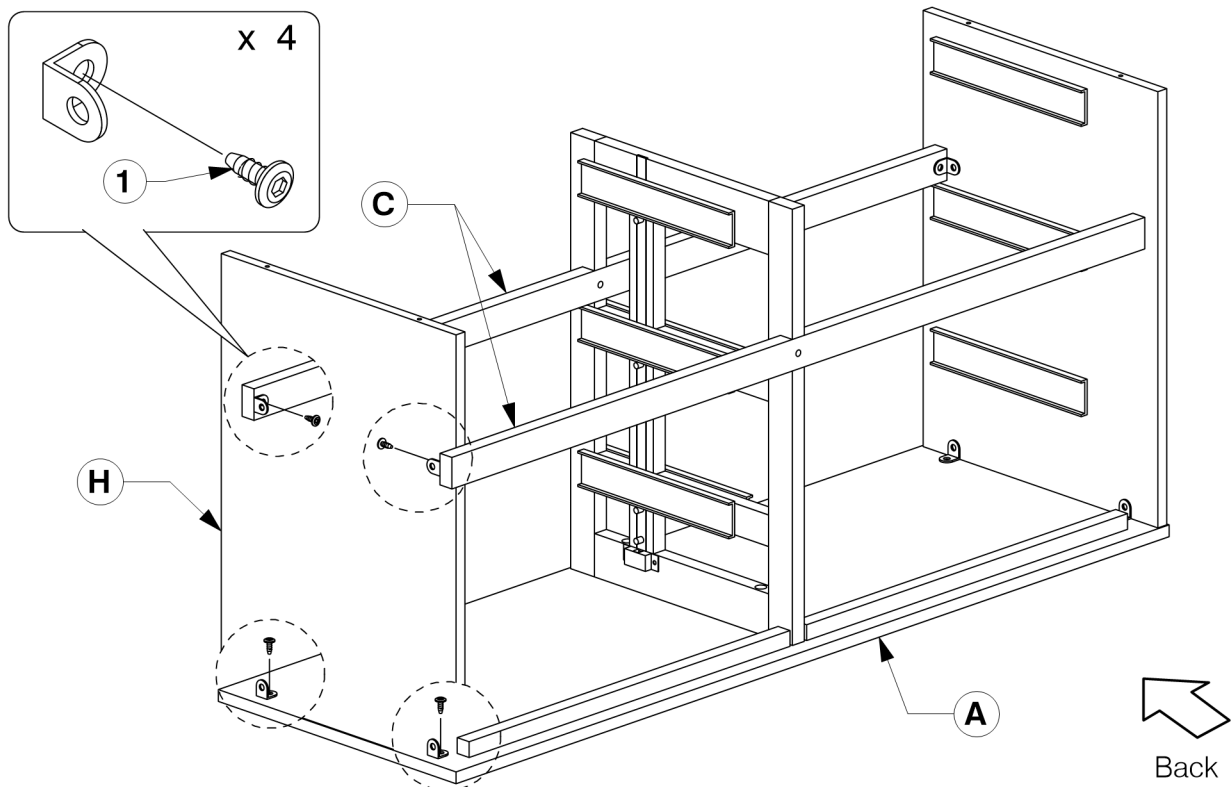
Assembly Instructions

WI-0724

- 6** Fit the Support Bar (C) to the Side Panel- Right Hand (K) & Center Frame (J) as shown.



- 7** Fit the other side of Side Panel- Left Hand (H) to the Top Panel (A) & Support Bar (C).

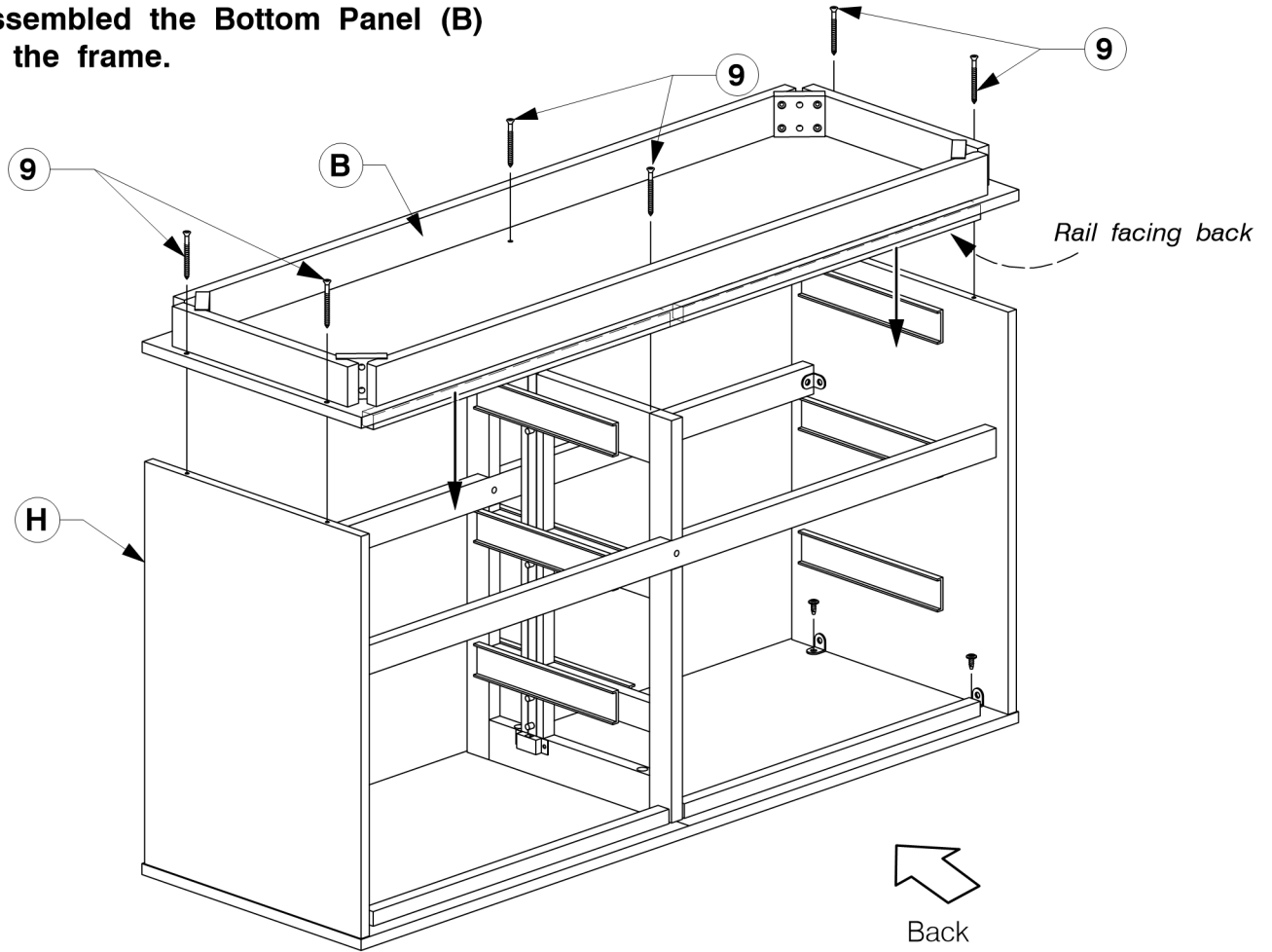


# 9013 6 Drawer Dresser

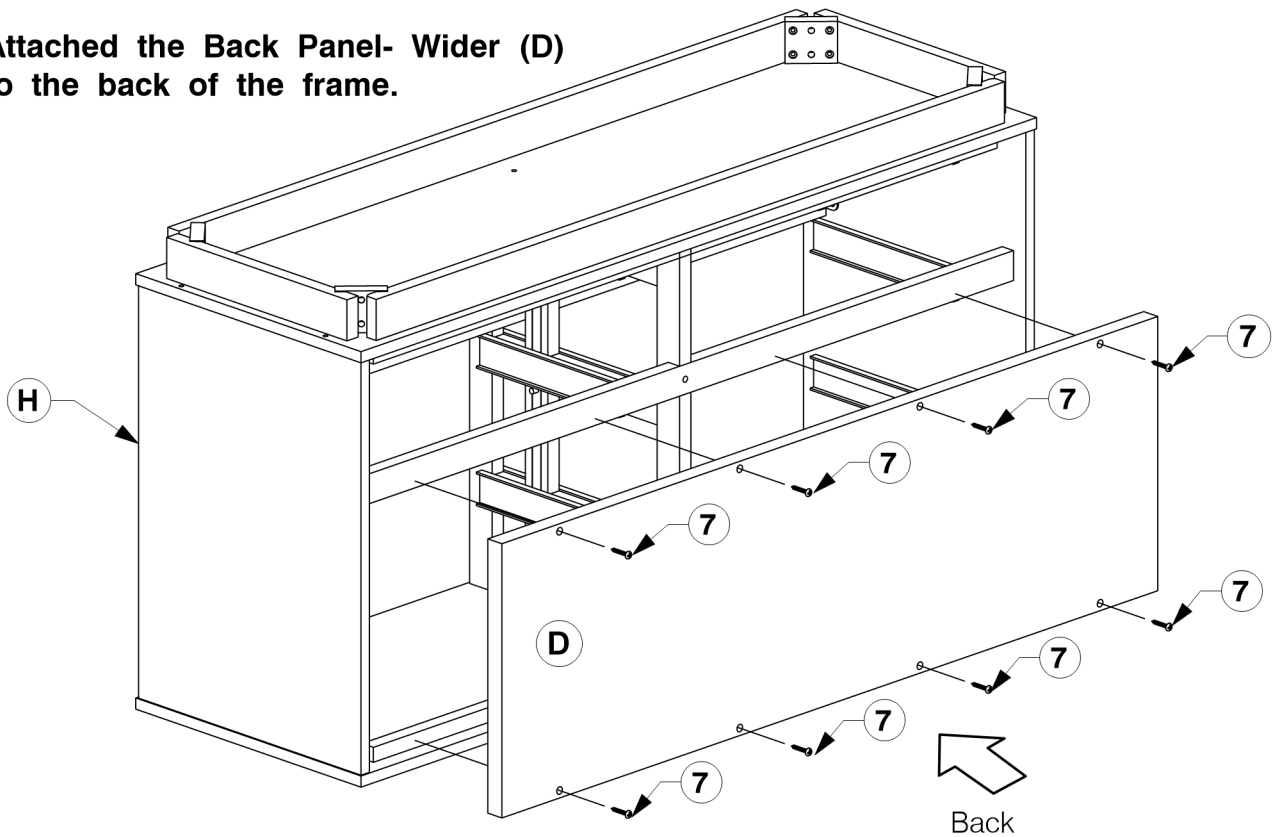
Assembly Instructions

WI-0724

- 8** Assembled the Bottom Panel (B) to the frame.



- 9** Attached the Back Panel- Wider (D) to the back of the frame.

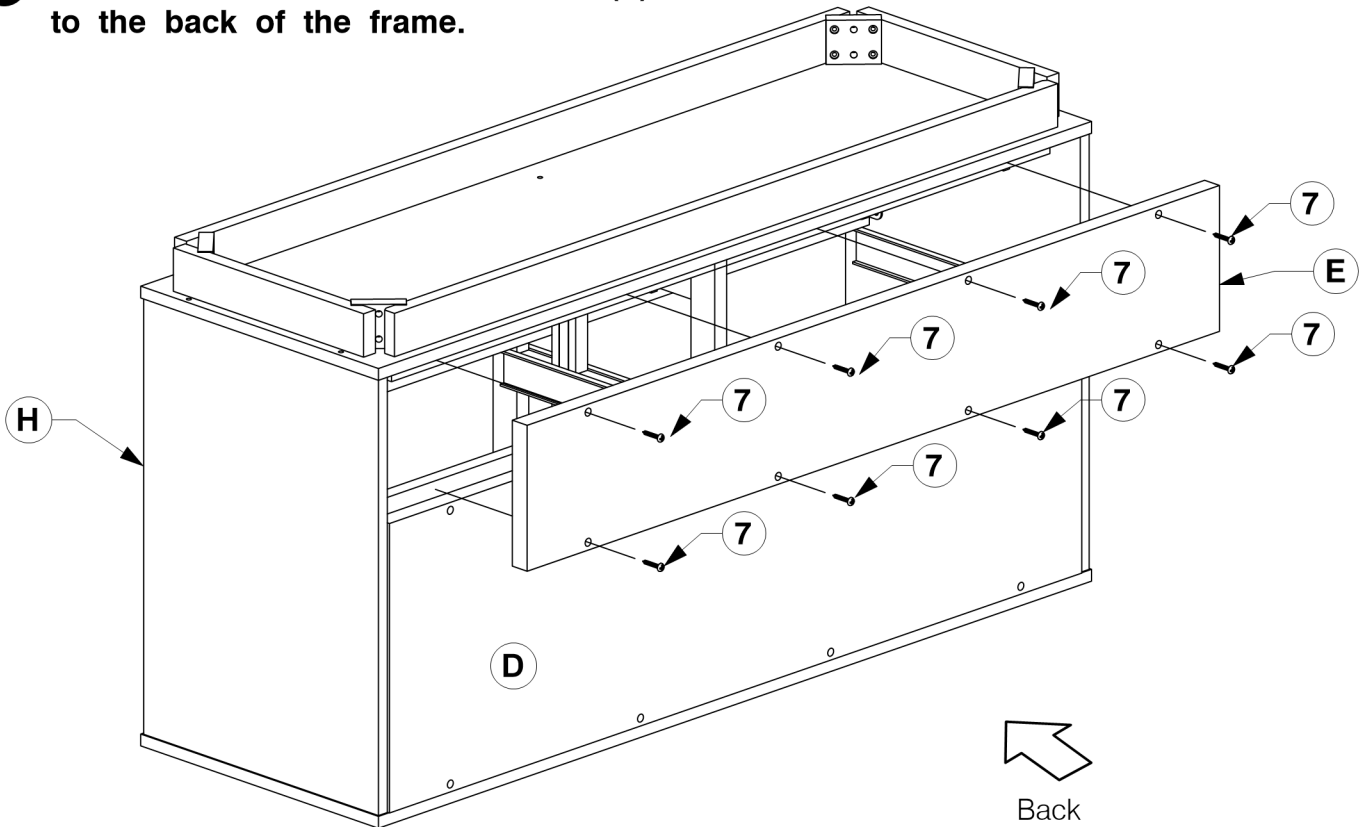


# 9013 6 Drawer Dresser

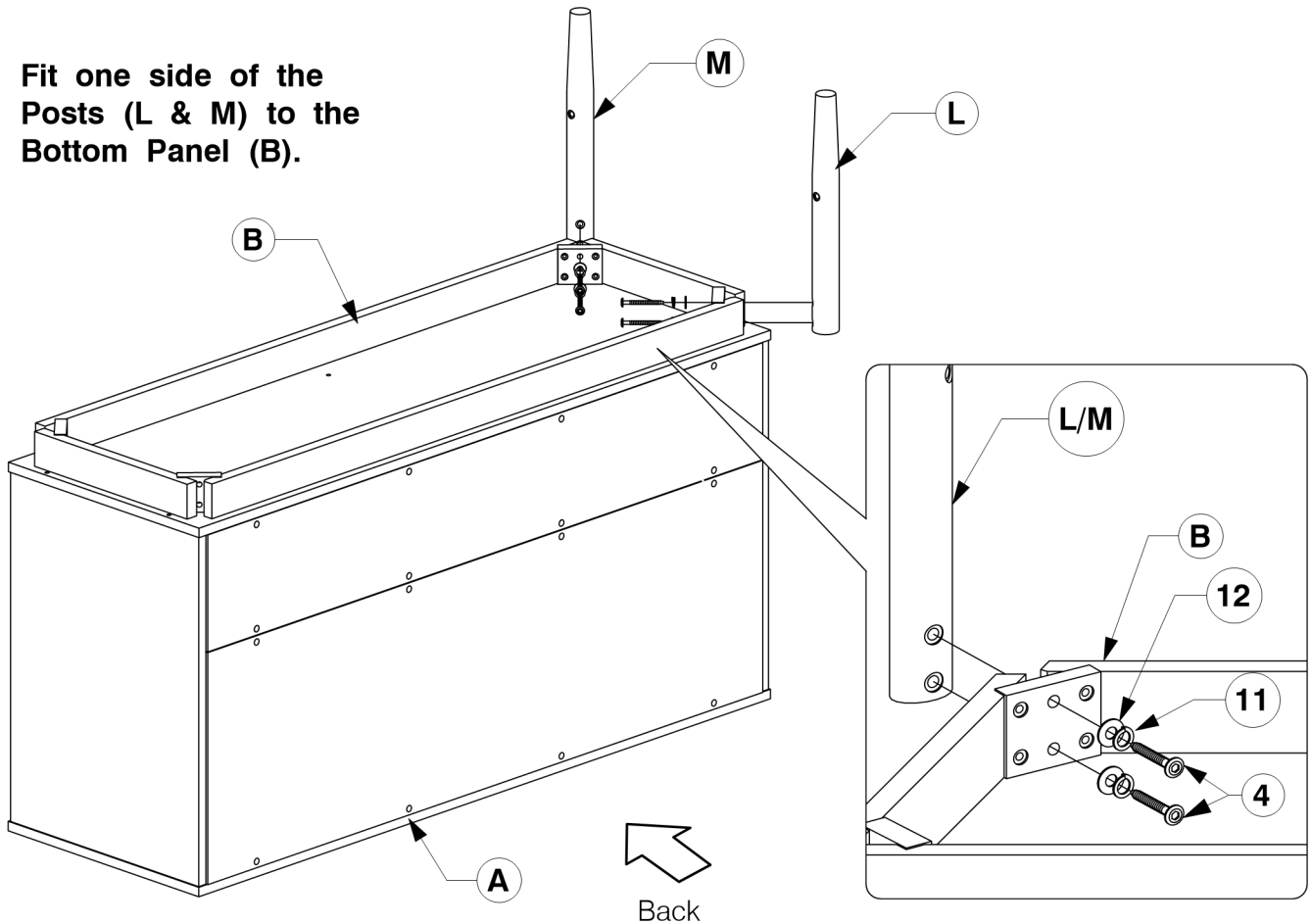
Assembly Instructions

WI-0724

- 10** Attached the Back Panel- Narrow (E) to the back of the frame.



- 11** Fit one side of the Posts (L & M) to the Bottom Panel (B).

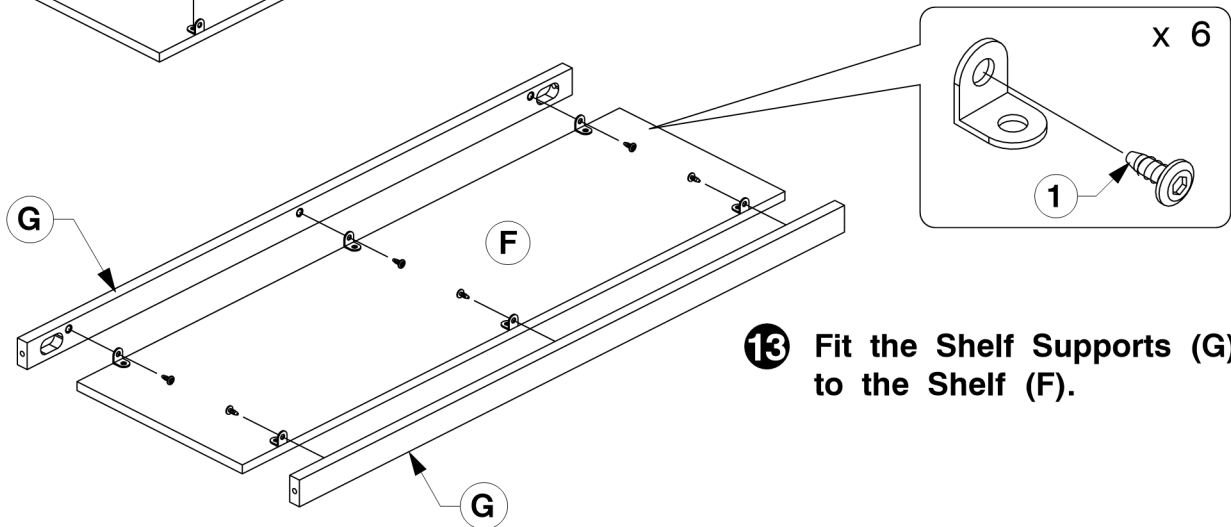
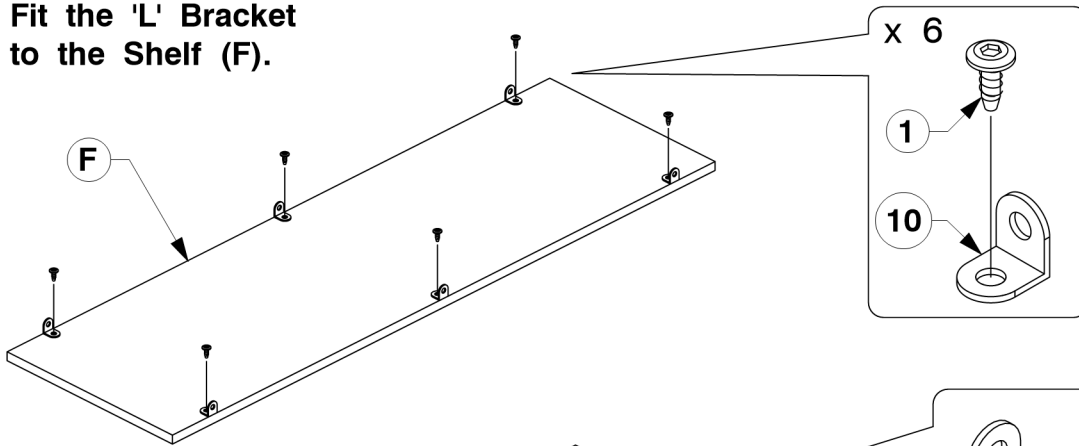


# 9013 6 Drawer Dresser

Assembly Instructions

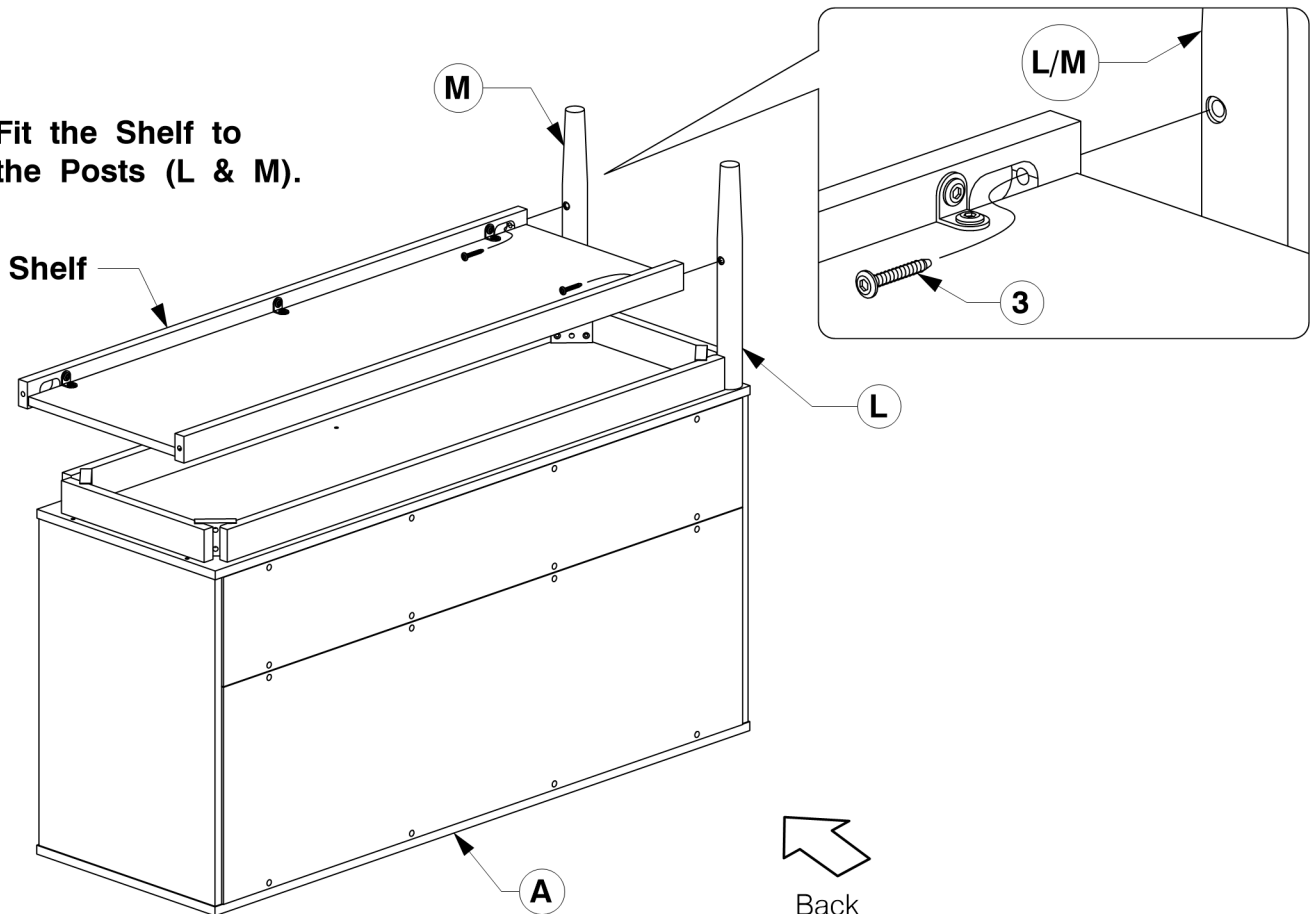
WI-0724

**12** Fit the 'L' Bracket to the Shelf (F).



**13** Fit the Shelf Supports (G) to the Shelf (F).

**14** Fit the Shelf to the Posts (L & M).

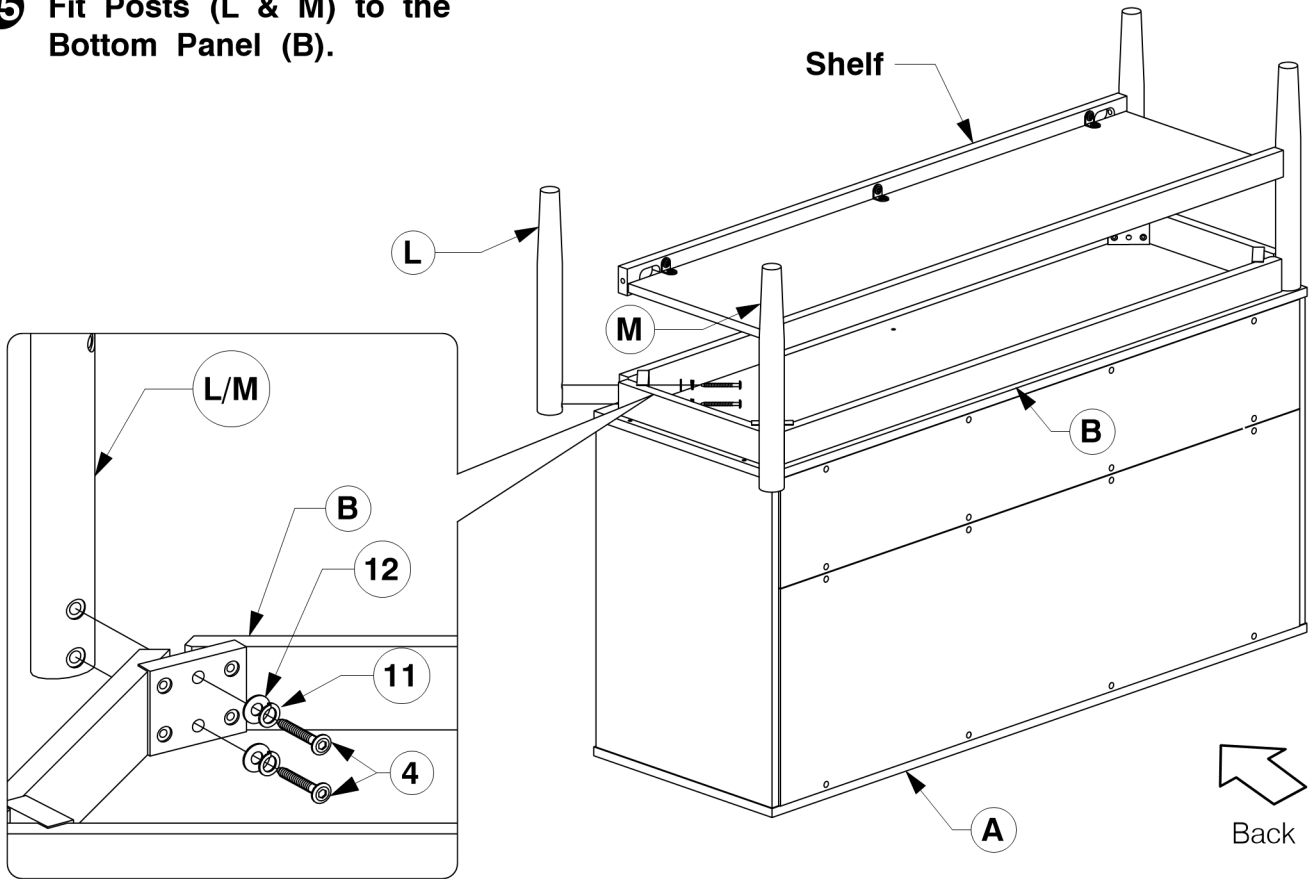


# 9013 6 Drawer Dresser

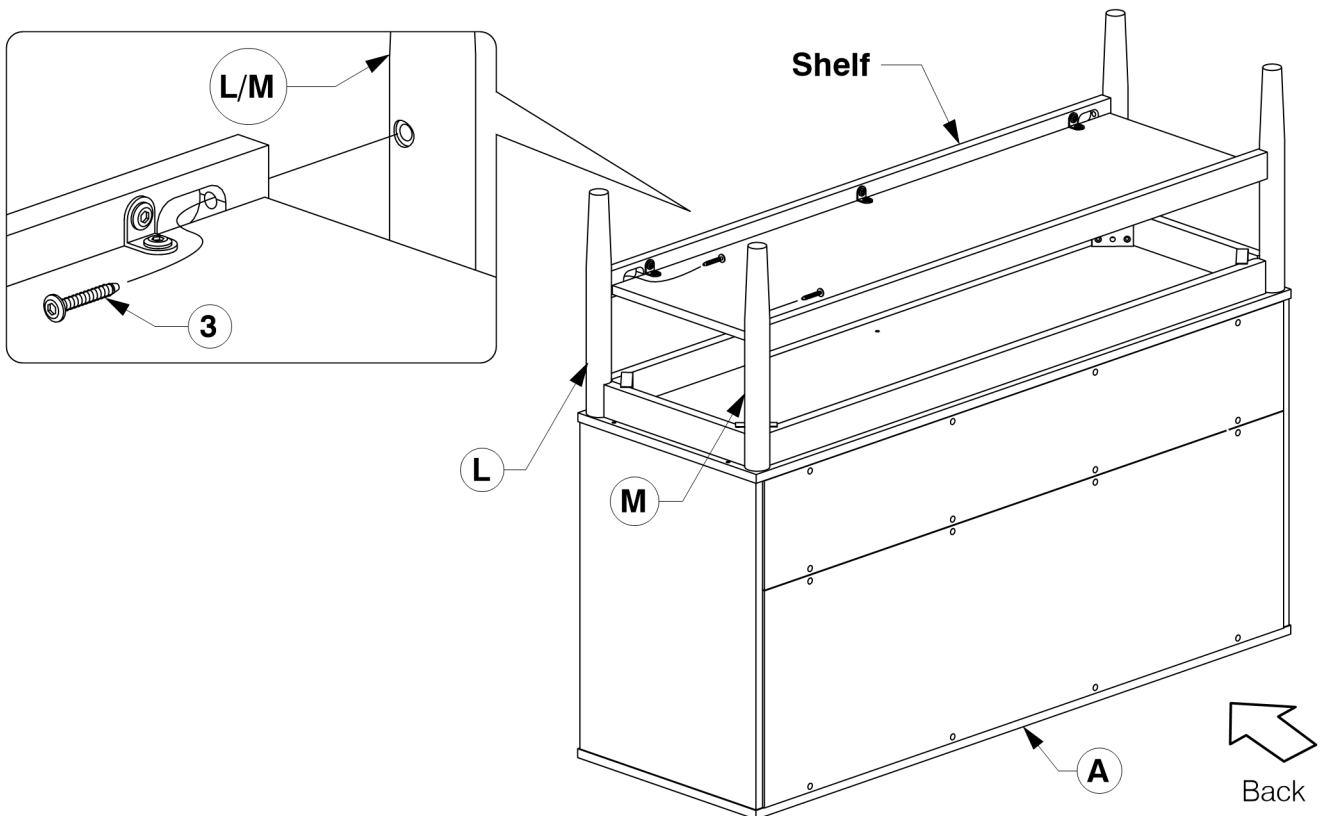
Assembly Instructions

WI-0724

- 15** Fit Posts (L & M) to the Bottom Panel (B).



- 16** Tighten the Shelf to the Posts (L & M).



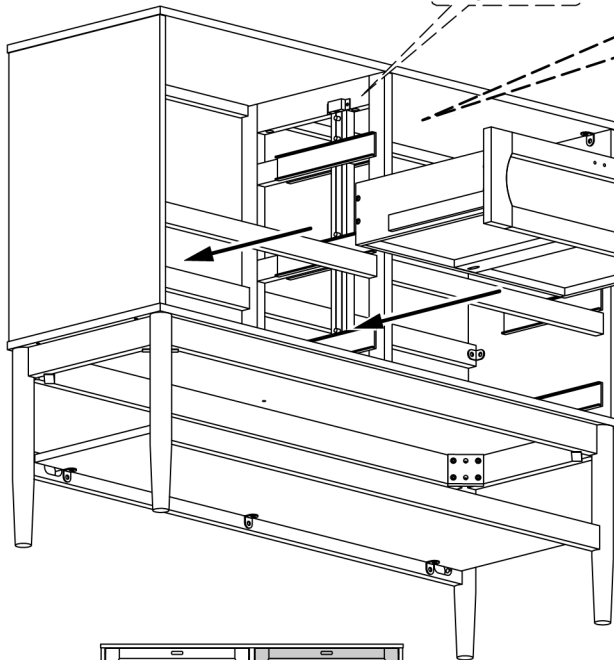
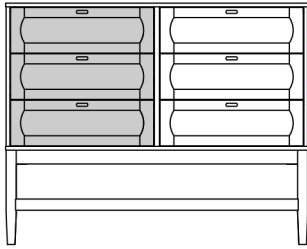
# 9013 6 Drawer Dresser

Assembly Instructions

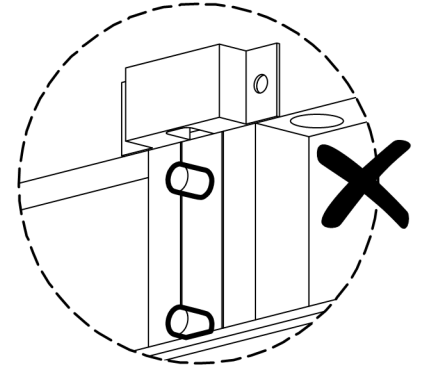
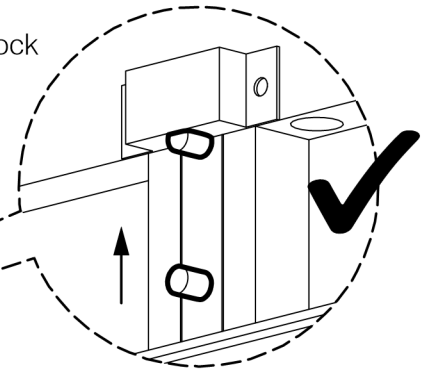
WI-0724

## 17 Install the Drawers.

LEFT

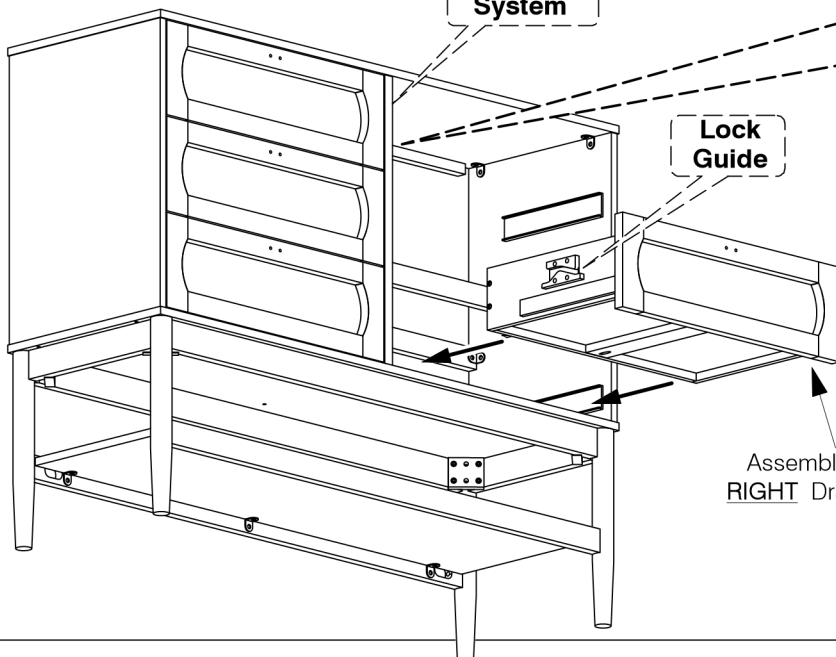
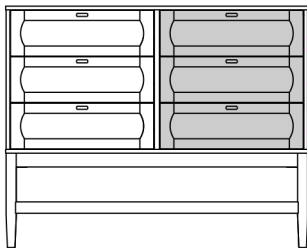


- Push the interlock bar **upwards** before inserting the drawers.

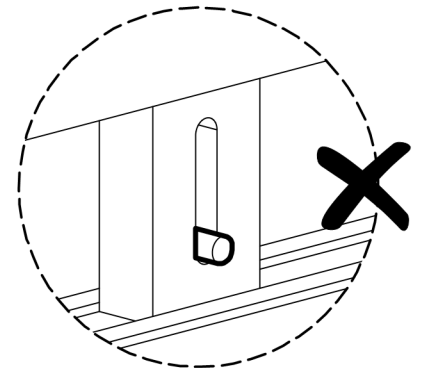
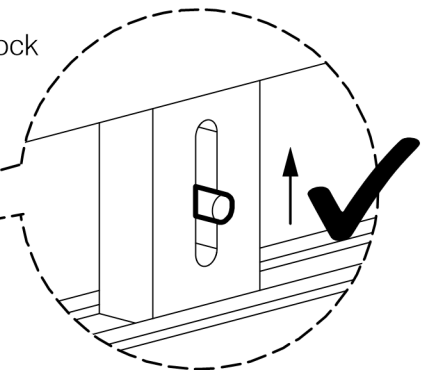


Assembled  
LEFT Drawer

RIGHT



- Push the interlock bar **upwards** before inserting the drawers.



Assembled  
RIGHT Drawer

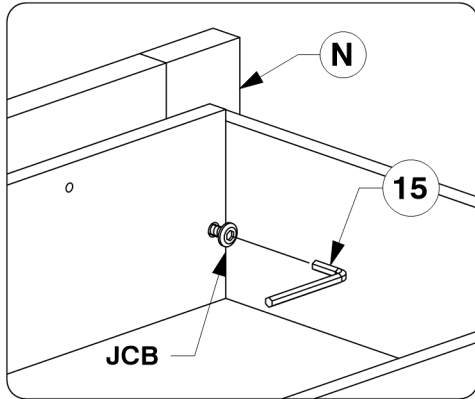
# 9013 6 Drawer Dresser

Assembly Instructions

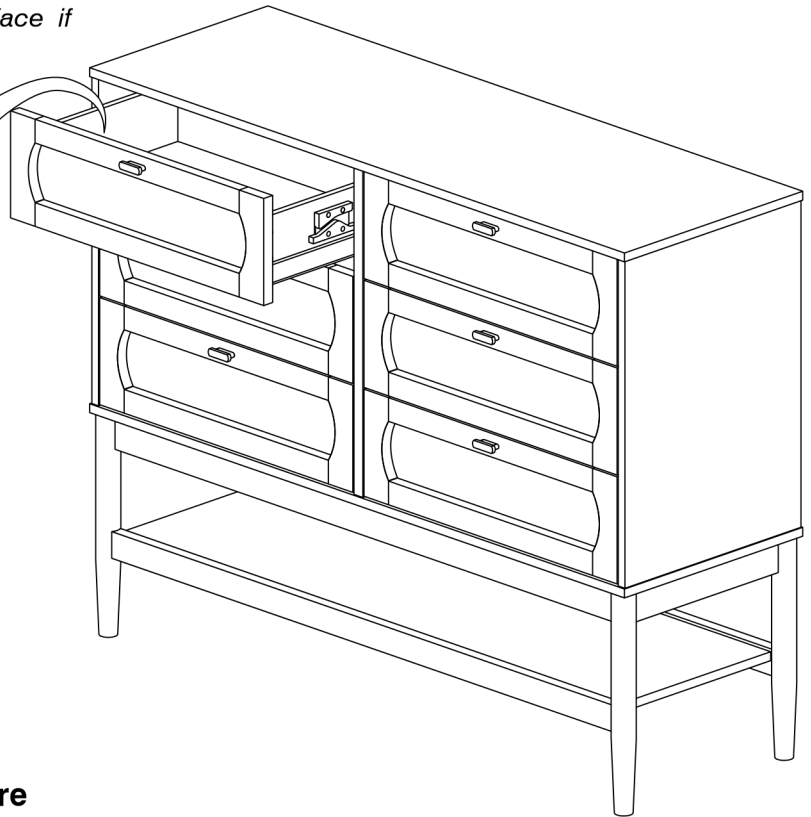
WI-0724

## 18 Adjust the Drawer Face (N).

\* NOTE: Before fitting the Wood Screws.  
Loosen the JCBs on the Drawer Face if  
the face needs alignment.

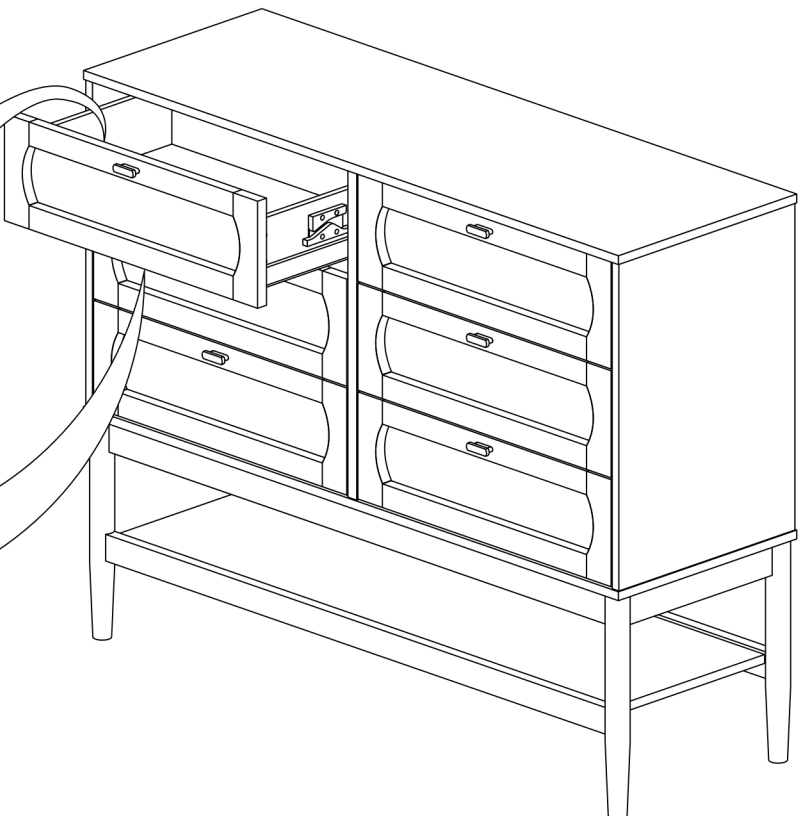
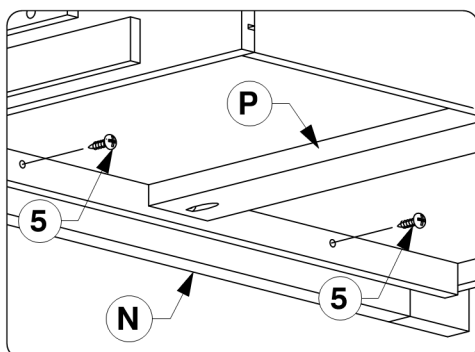
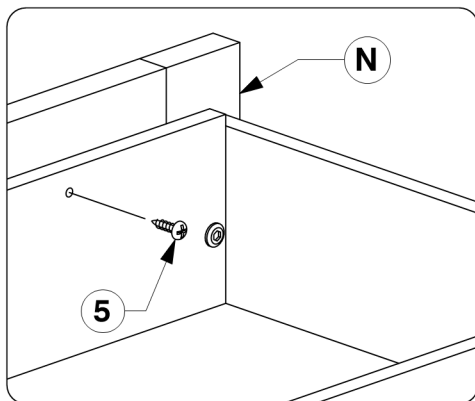


\* NOTE: Only one drawer  
can be open at a time.



## 19 After the Drawer Faces (N) are aligned, secure with wood screws.

\* NOTE: Only one drawer  
can be open at a time.



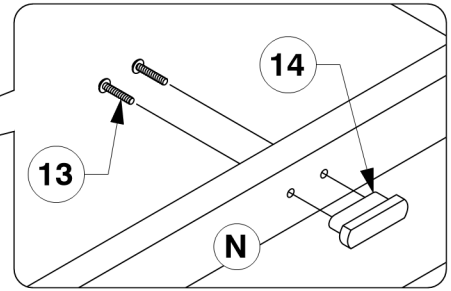
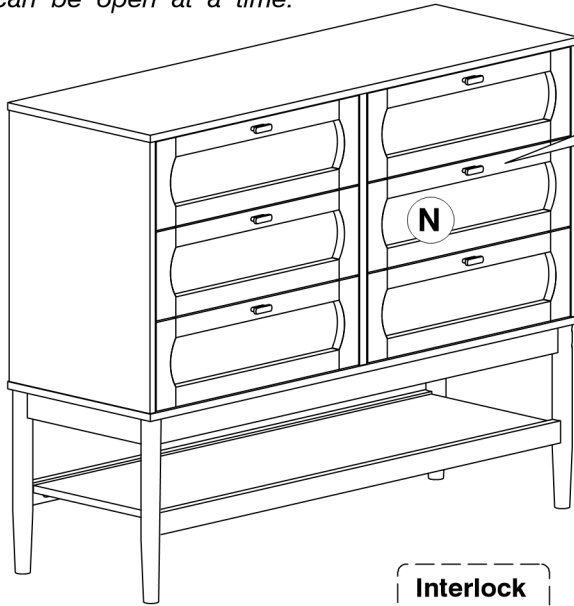
# 9013 6 Drawer Dresser

Assembly Instructions

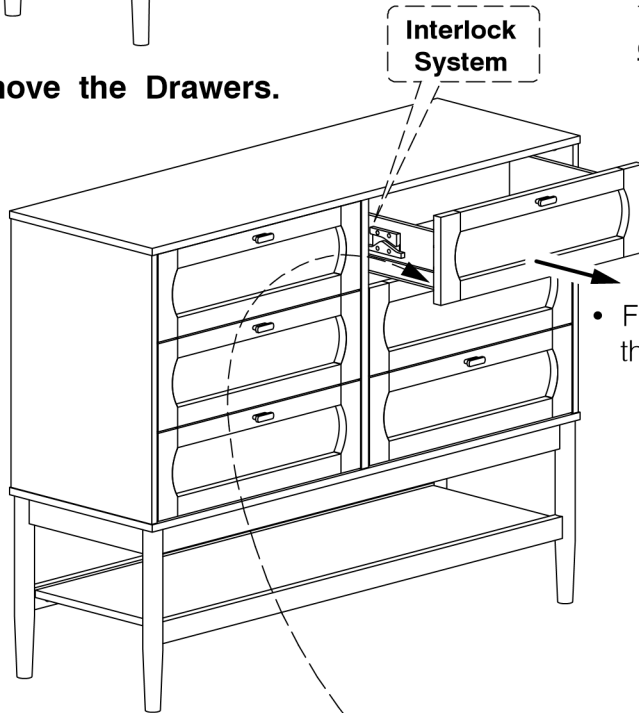
WI-0724

## 20 Finally, fit the Handle to the Drawer Face (N).

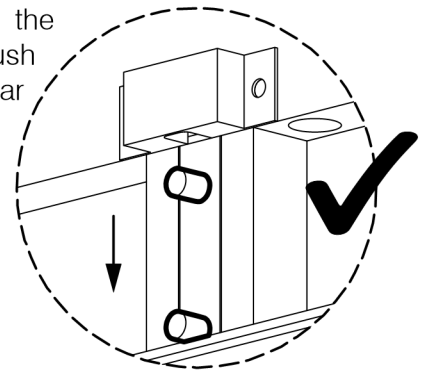
\* NOTE: Only one drawer can be open at a time.



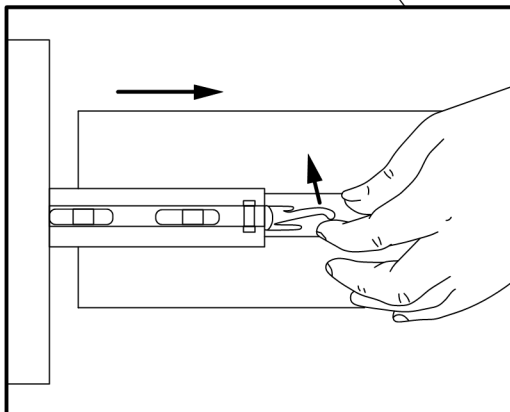
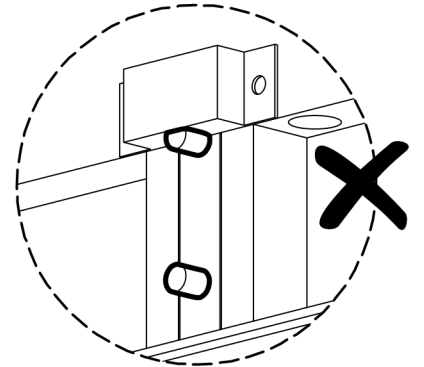
## 21 Remove the Drawers.



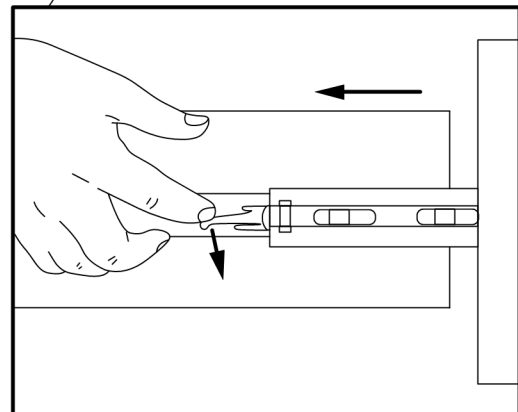
• After removing the top drawer, push the interlock bar **down**. Then remove the lower drawers.



• Fully open the Drawer.



• Lift the **LEFT** side clip up.

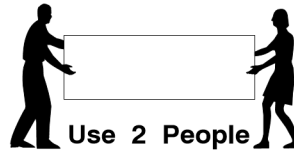
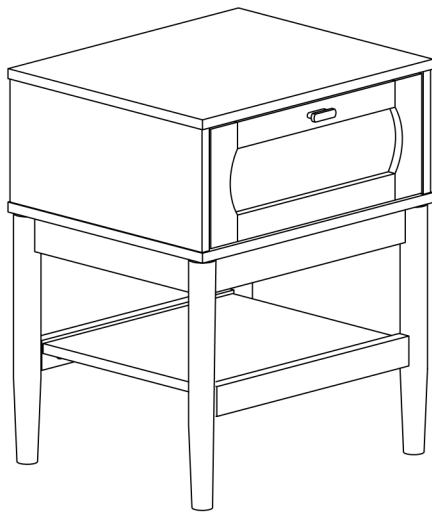


• Push **RIGHT** side clip down.

# 9013 1 Drawer 1 Shelf Nightstand

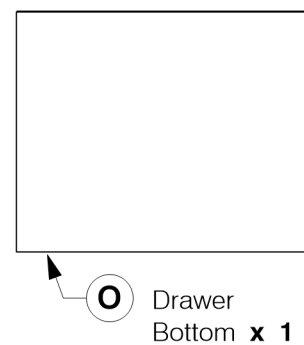
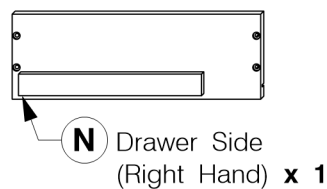
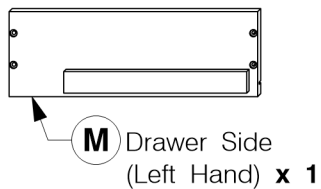
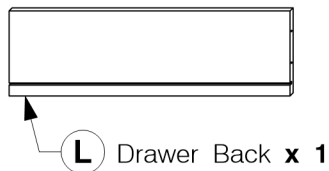
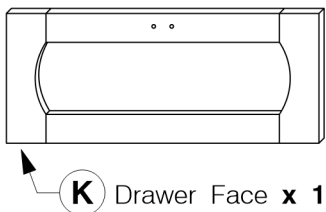
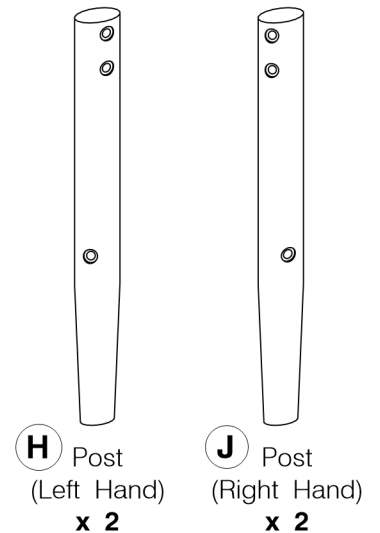
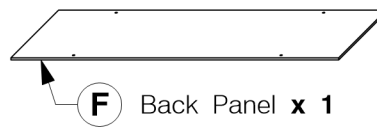
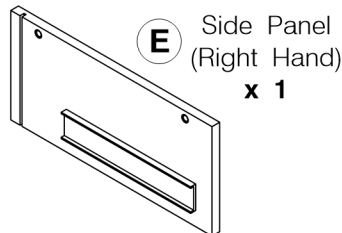
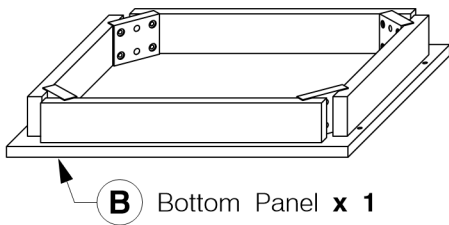
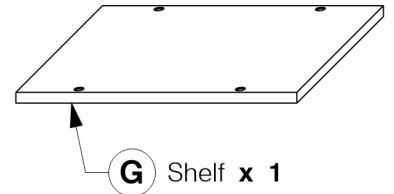
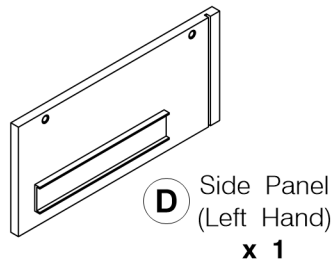
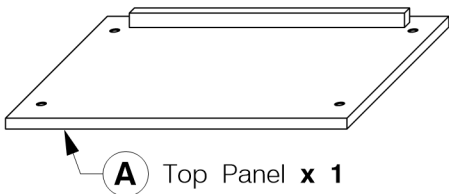
Assembly Instructions

WI-0724



**Note:** Do not assemble using power tools. This can cause the bolts to be overtightened

## 1 Parts List





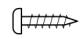
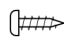





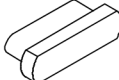



# 9013 1 Drawer 1 Shelf Nightstand

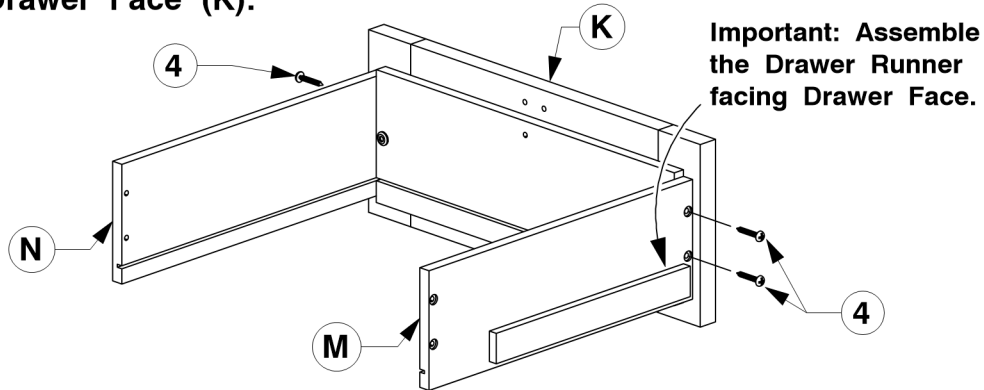
## Assembly Instructions

WI-0724

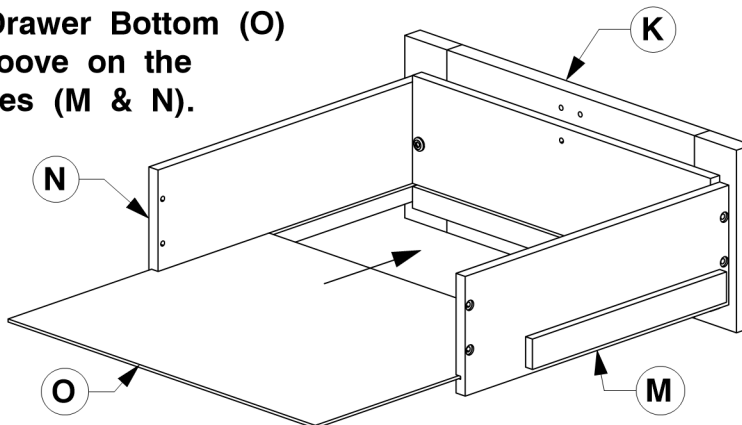
### 2 Hardware List

- |  |  |  |   |   |   |  |
|--|--|--|---|---|---|--|
| <br><b>1</b> M6 x 15mm JCB<br>x 16              | <br><b>2</b> M6 x 40mm JCB<br>x 4 | <br><b>3</b> M6 x 60mm JCB<br>x 8 | <br><b>4</b> M4 x 25mm Wood Screw<br>x 8 | <br><b>5</b> M4 x 20mm Wood Screw<br>x 2 | <br><b>6</b> M4 x 16mm Wood Screw<br>x 4 |  |
| <br><b>7</b> CSK Cap Wood Screw (M6 x 60mm) x 4 | <br><b>8</b> Spring Washer x 8    | <br><b>9</b> Flat Washer x 8      | <br><b>10</b> 'L' Bracket (5005-3) x 8   | <br><b>11</b> M4 x 25mm Wood Screw x 2    | <br><b>12</b> Handle (3321-25) x 1       | <br><b>13</b> Allen Key x 1 |

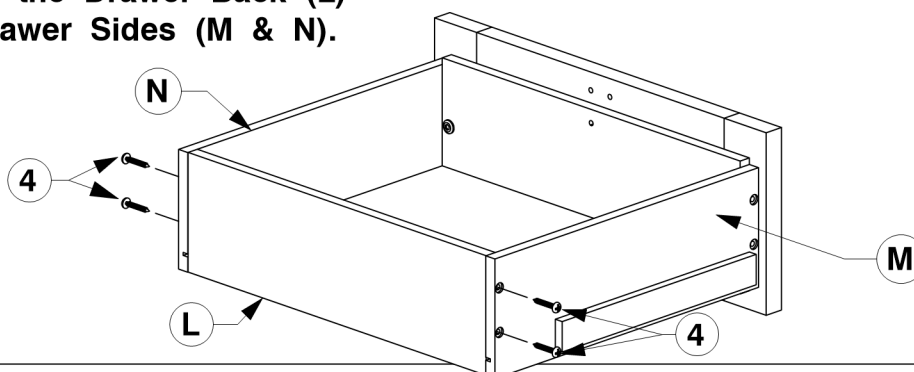
### 3 Assemble the Drawer Sides (M & N) to the Drawer Face (K).



### 4 Slide the Drawer Bottom (O) into the groove on the Drawer Sides (M & N).



### 5 Assemble the Drawer Back (L) to the Drawer Sides (M & N).

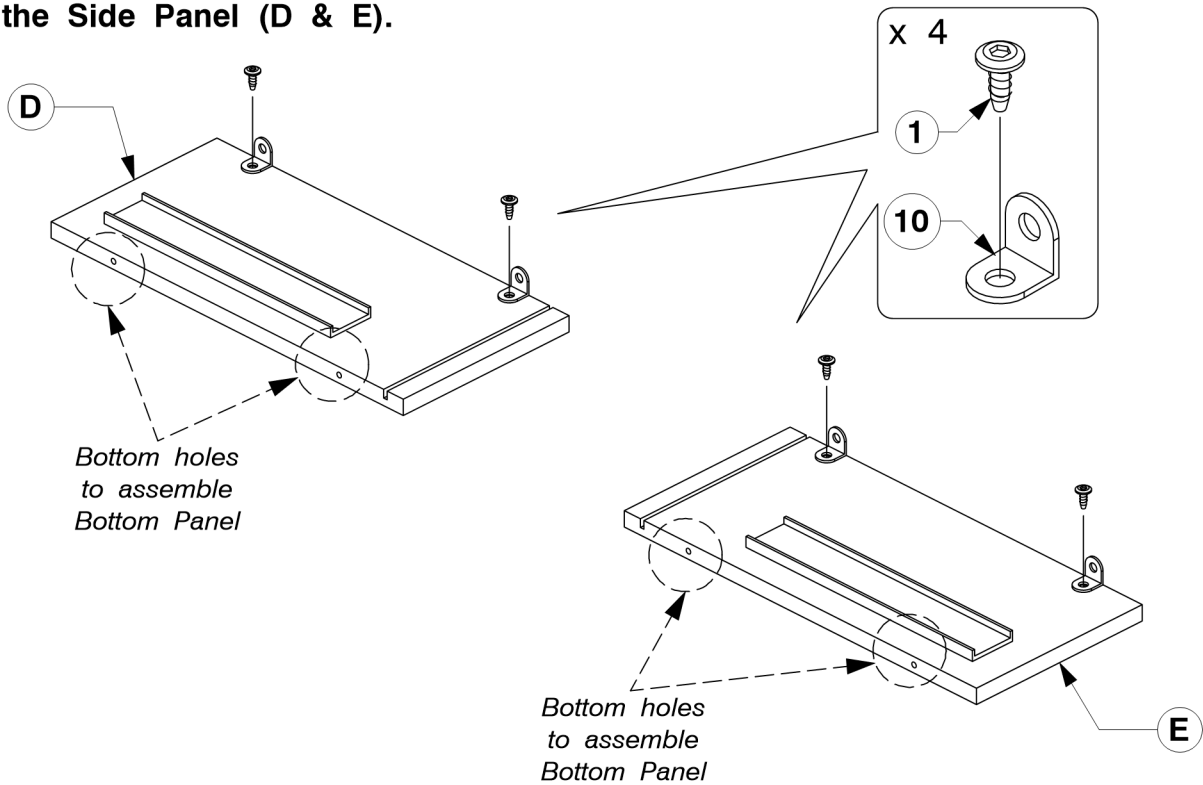


# 9013 1 Drawer 1 Shelf Nightstand

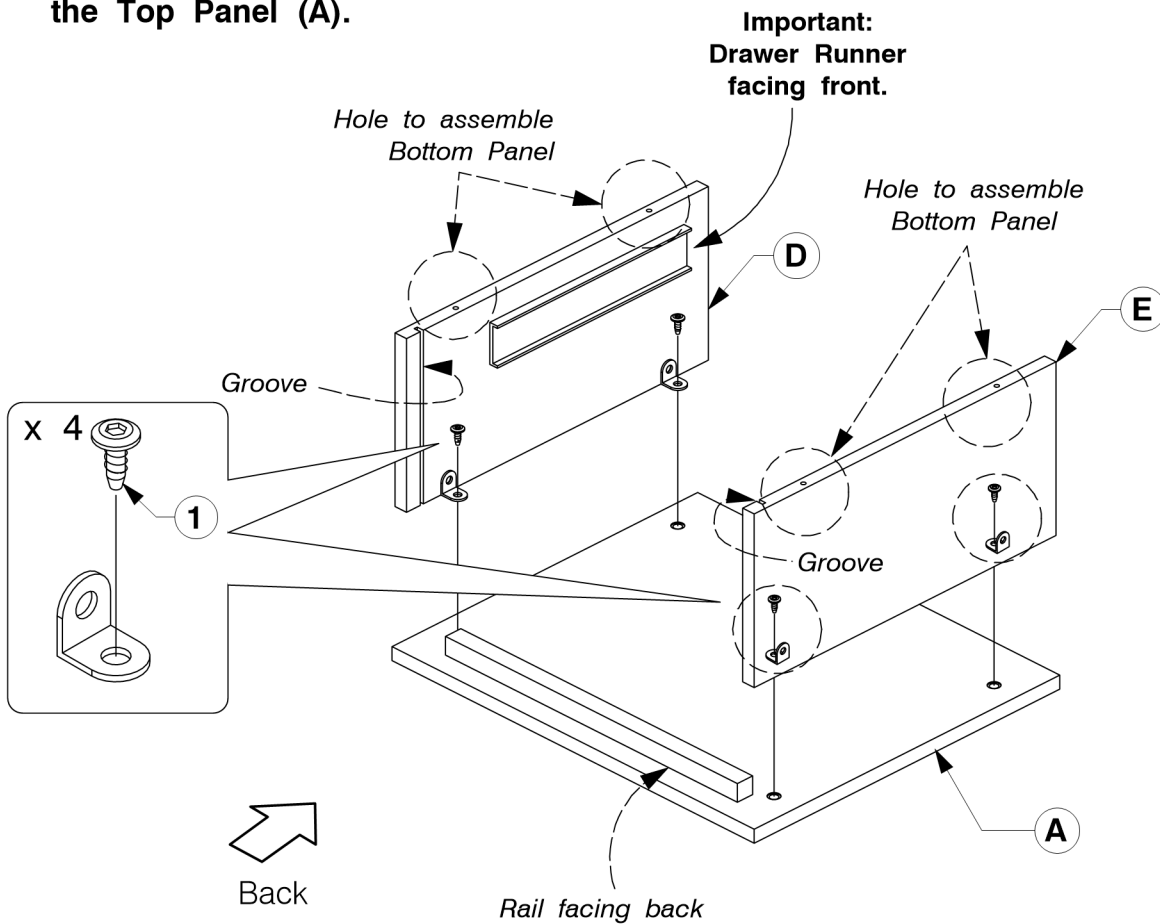
Assembly Instructions

WI-0724

## 6 Fit the 'L' Bracket to the Side Panel (D & E).



## 7 Assembled the Side Panel (D & E) to the Top Panel (A).

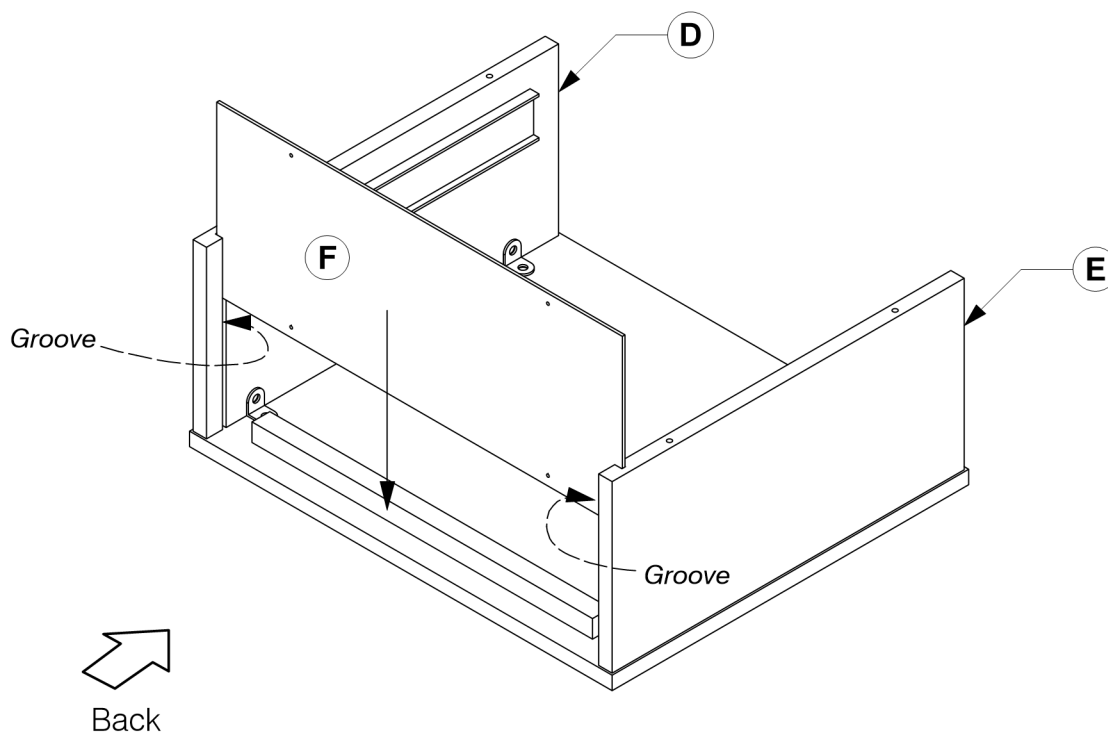


# 9013 1 Drawer 1 Shelf Nightstand

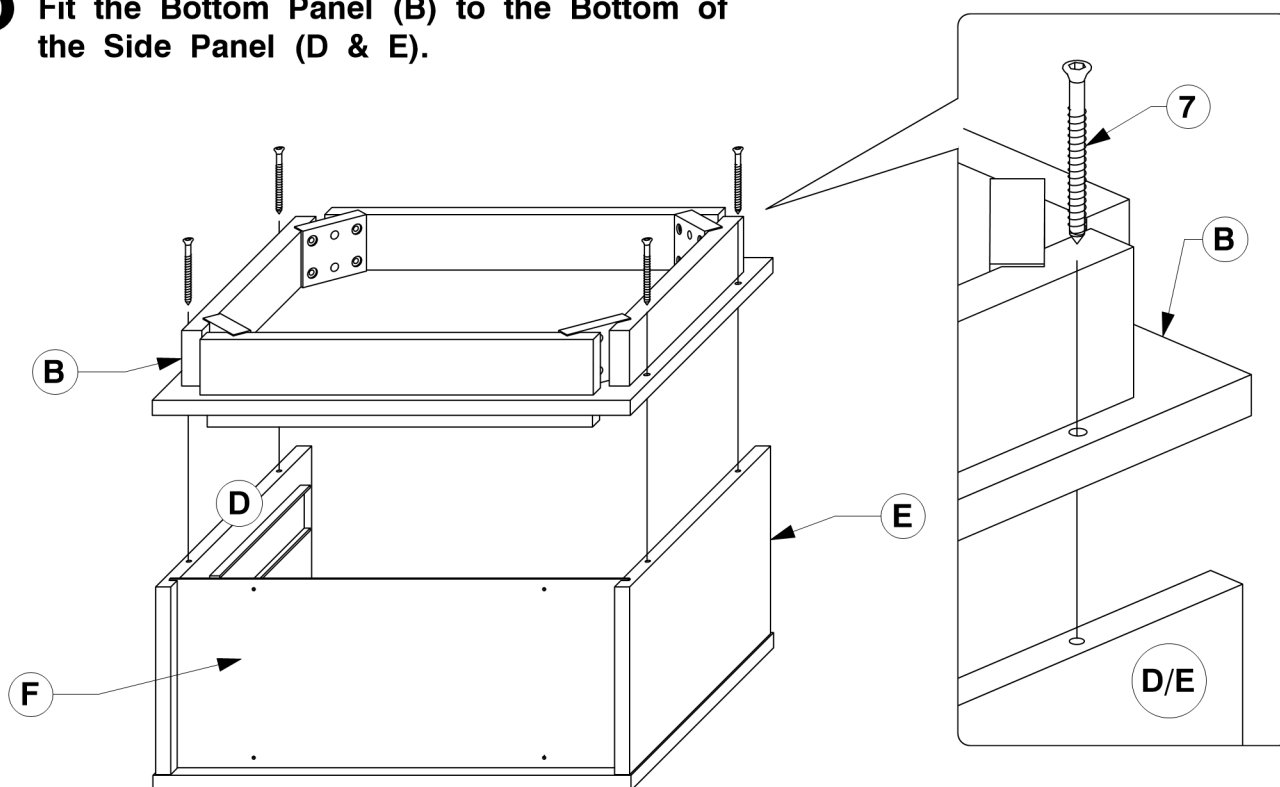
Assembly Instructions

WI-0724

- 8** Slide the Back Panel (F) into the groove on the back of the Side Panel (D & E).



- 9** Fit the Bottom Panel (B) to the Bottom of the Side Panel (D & E).

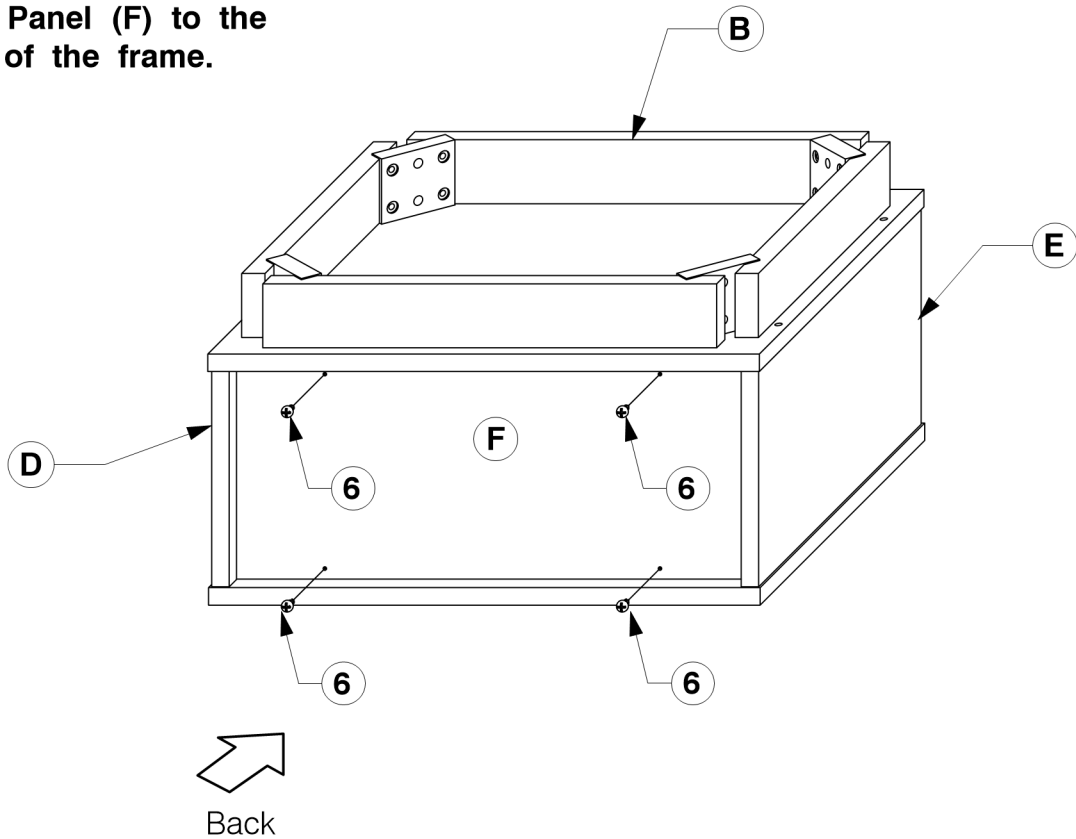


# 9013 1 Drawer 1 Shelf Nightstand

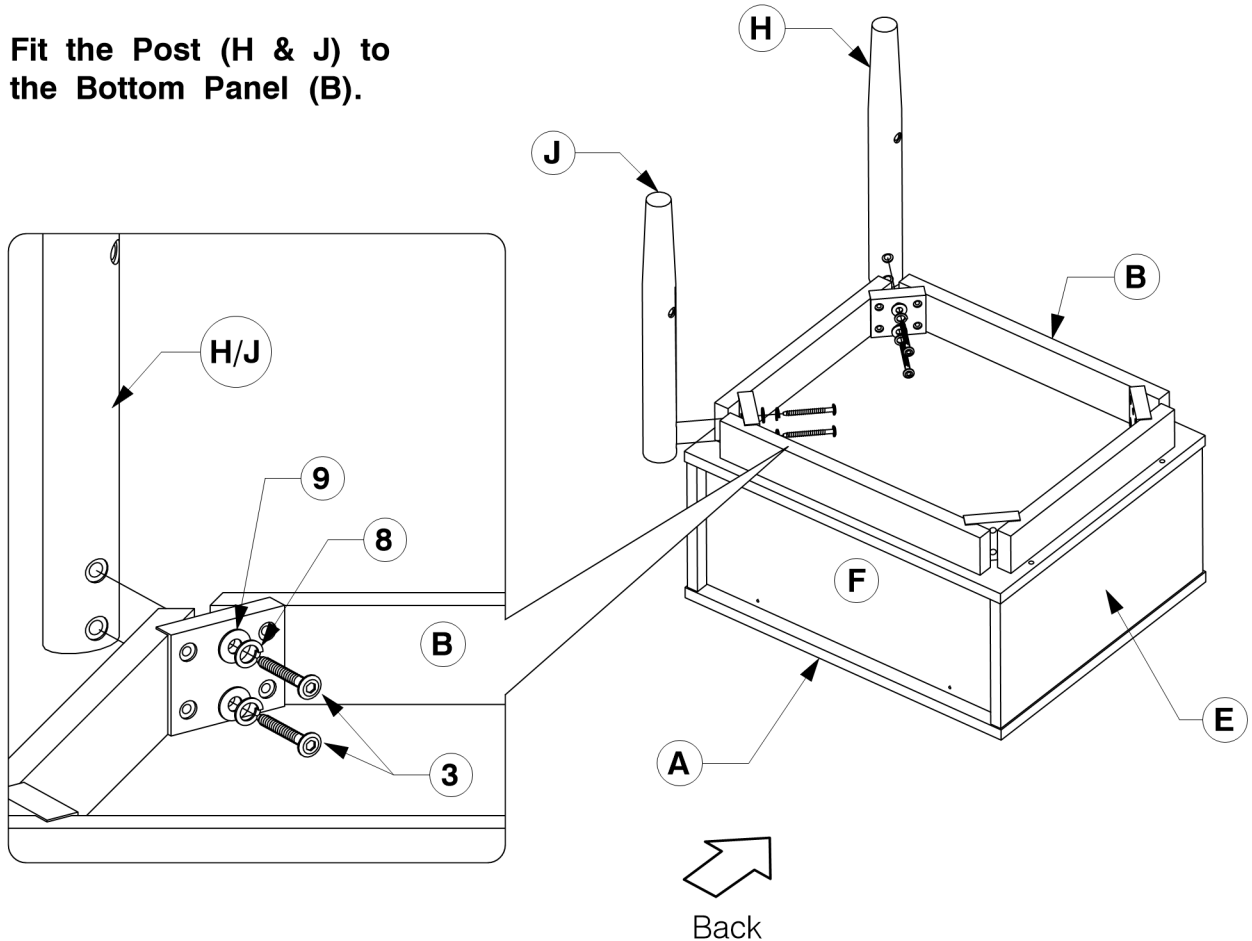
Assembly Instructions

WI-0724

- 10** Use screws to tighten the Back Panel (F) to the back of the frame.



- 11** Fit the Post (H & J) to the Bottom Panel (B).

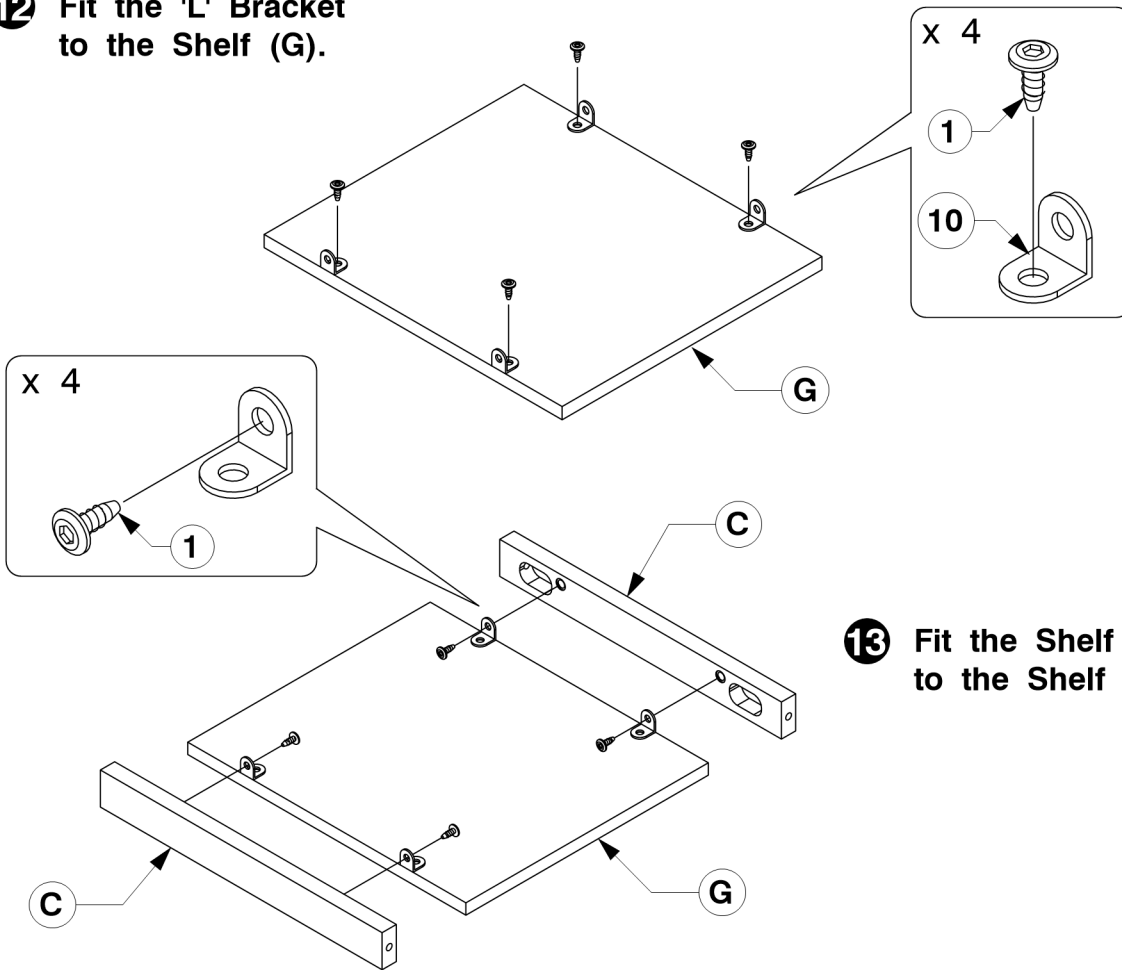


# 9013 1 Drawer 1 Shelf Nightstand

Assembly Instructions

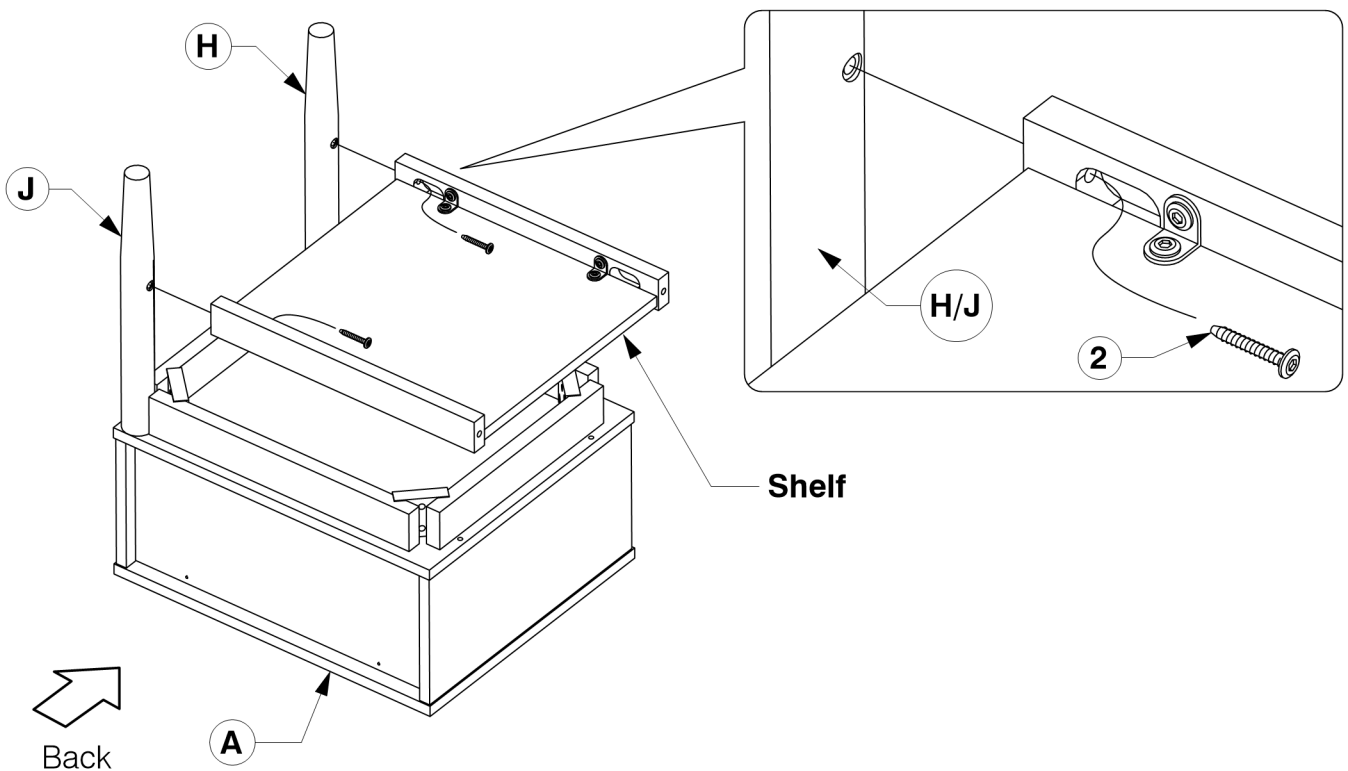
WI-0724

**12** Fit the 'L' Bracket to the Shelf (G).



**13** Fit the Shelf Supports (C) to the Shelf (G).

**14** Fit the Shelf to the Posts (H & J).

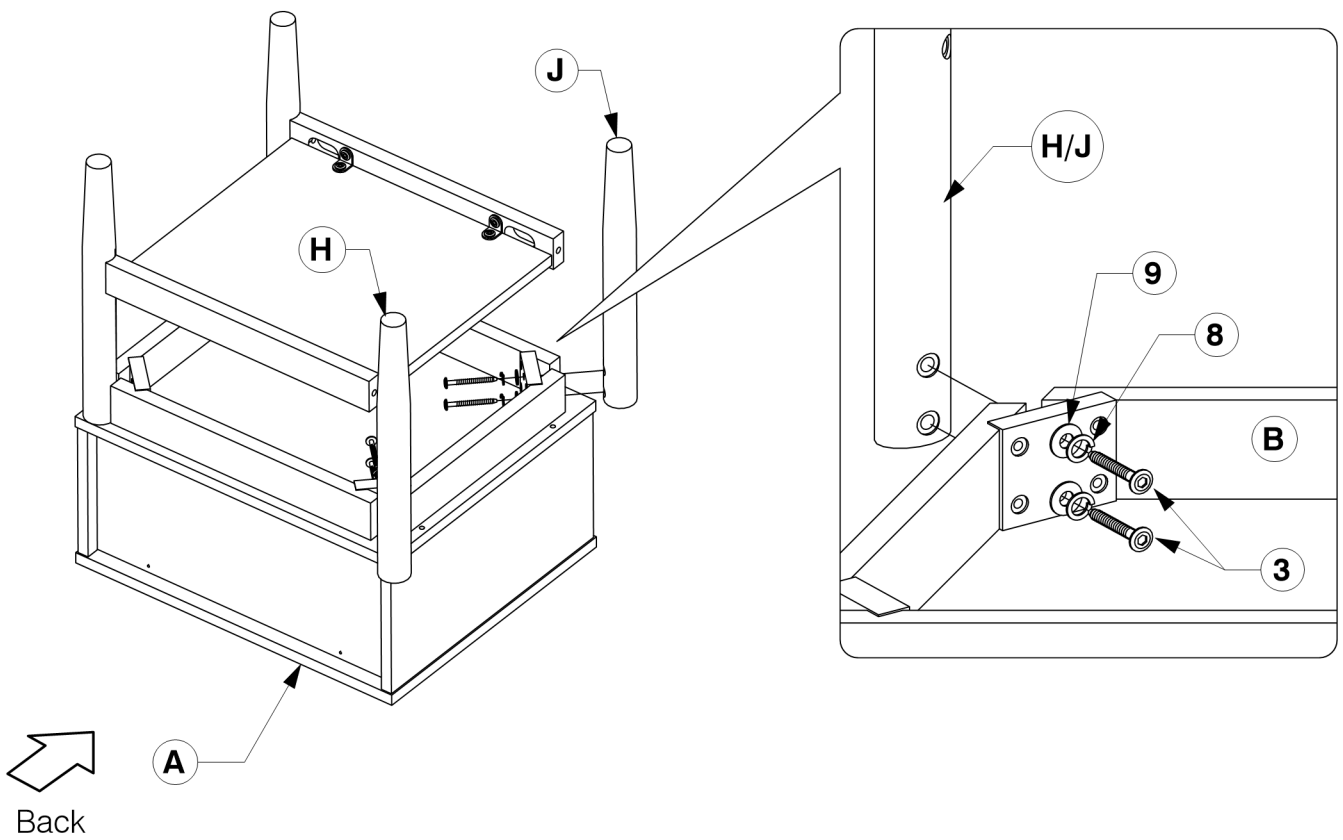


# 9013 1 Drawer 1 Shelf Nightstand

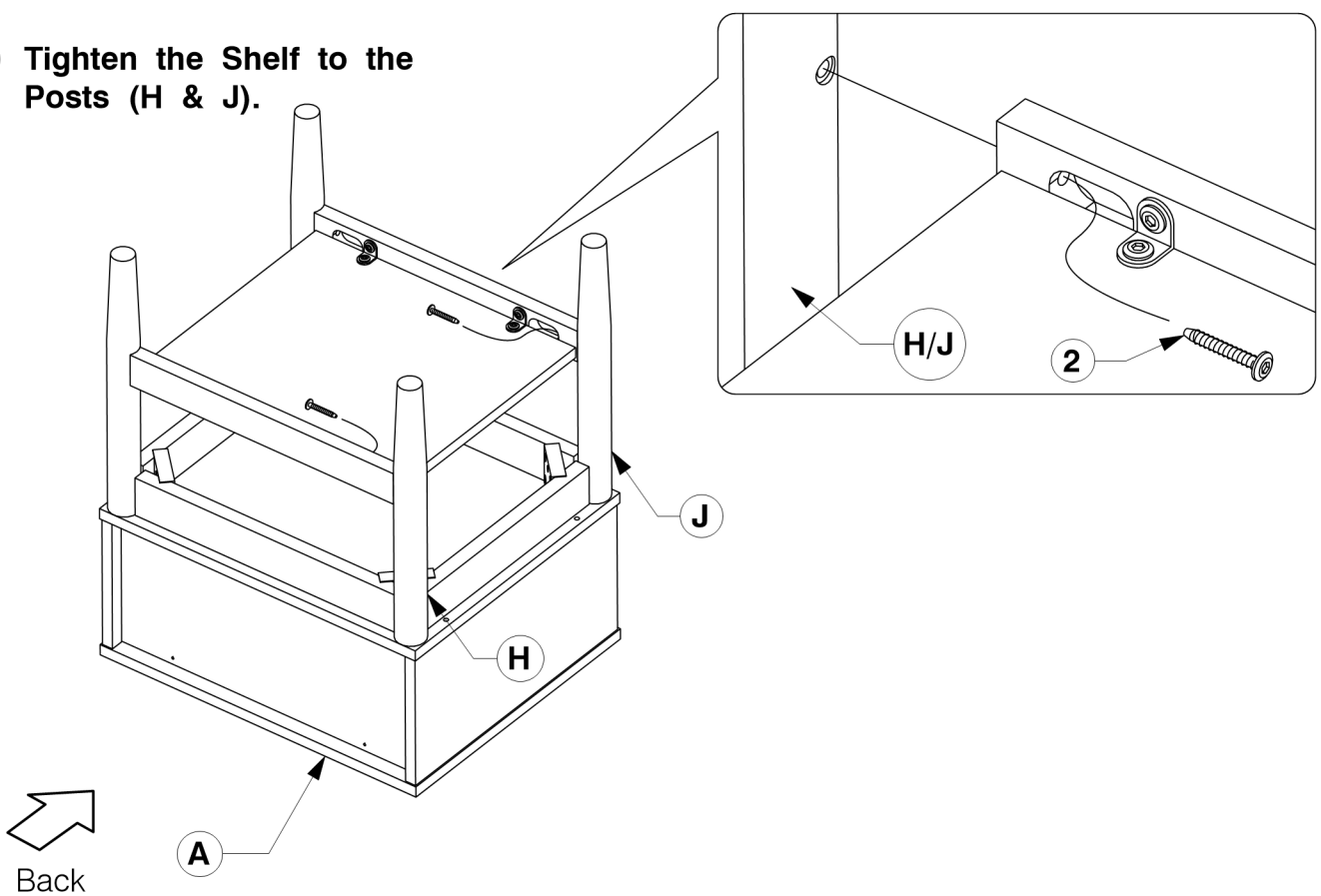
Assembly Instructions

WI-0724

## 15 Fit Posts (H & J) to the Bottom Panel (B).



## 16 Tighten the Shelf to the Posts (H & J).



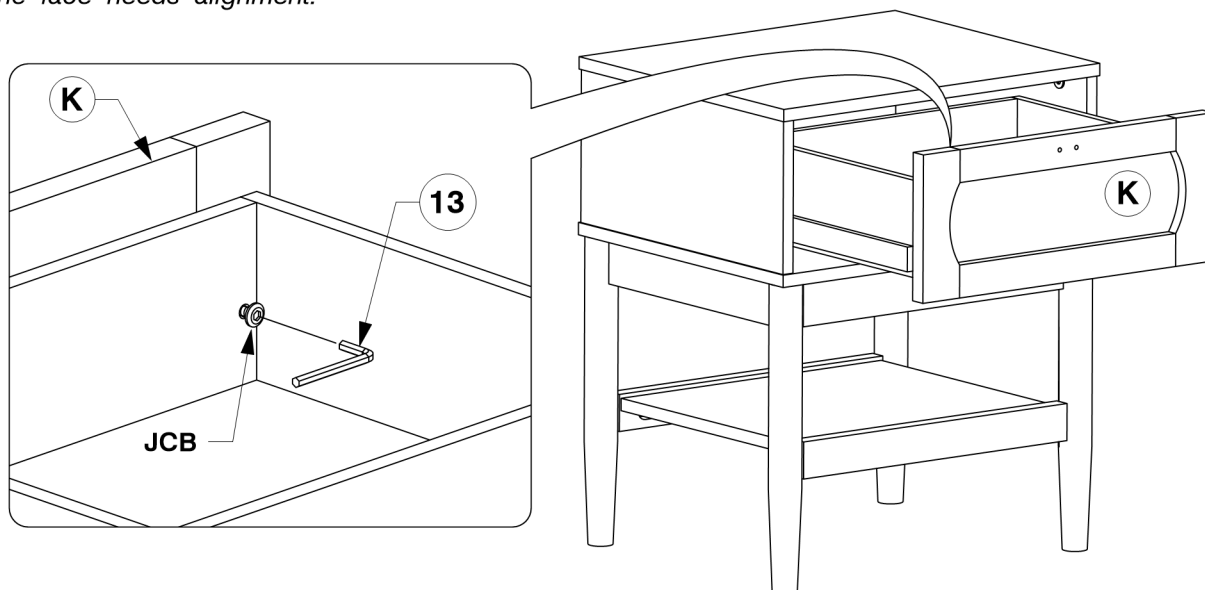
# 9013 1 Drawer 1 Shelf Nightstand

Assembly Instructions

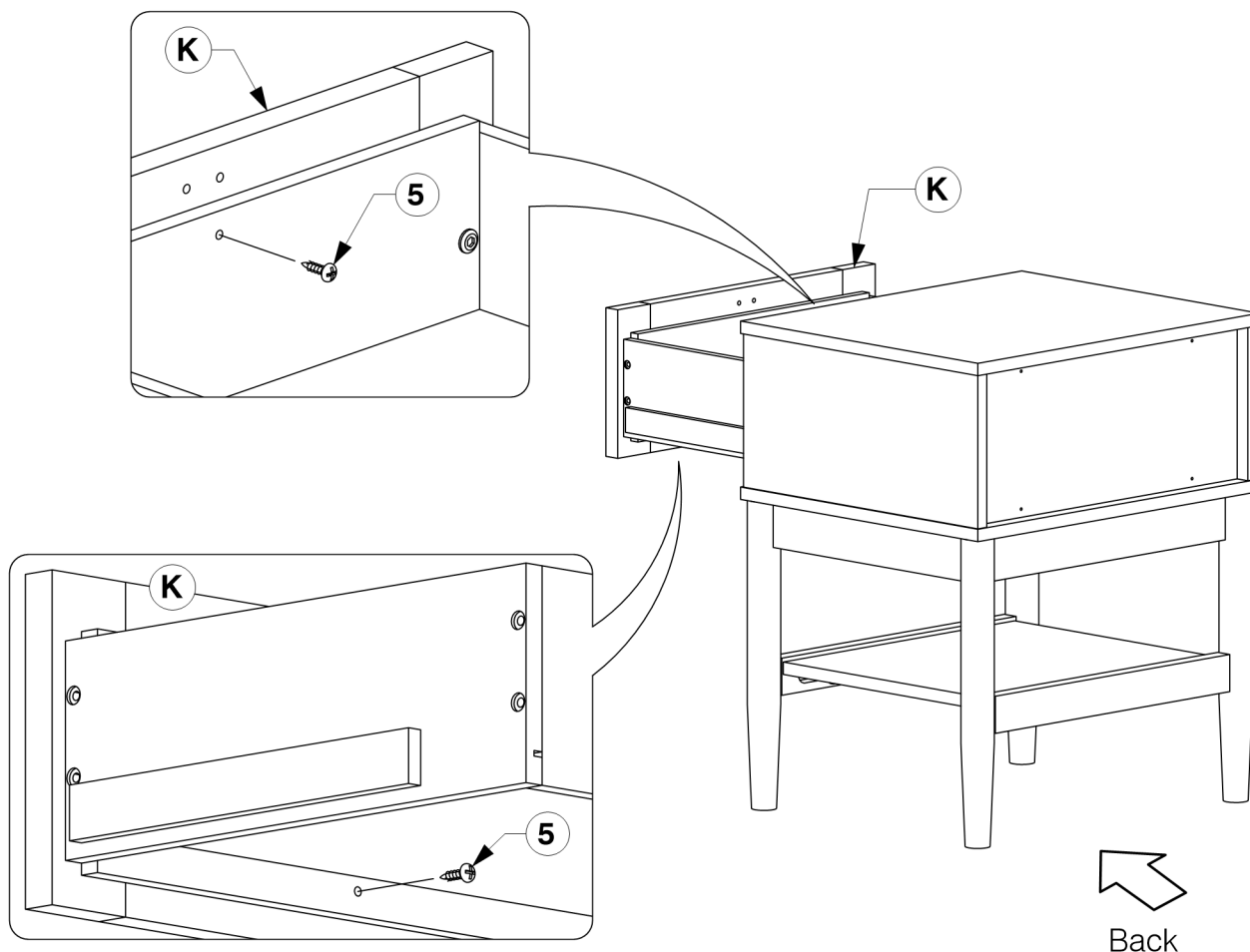
WI-0724

## 17 Fit and adjust the Drawer Face (K).

\* NOTE: Before fitting the Wood Screws.  
Loosen the JCBs on the Drawer Face if  
the face needs alignment.



## 18 After the Drawer Faces (K) are aligned, secure with wood screws.



# 9013 1 Drawer 1 Shelf Nightstand

Assembly Instructions

WI-0724

**19** Finally, fit the Handle to the Drawer Face (K).

