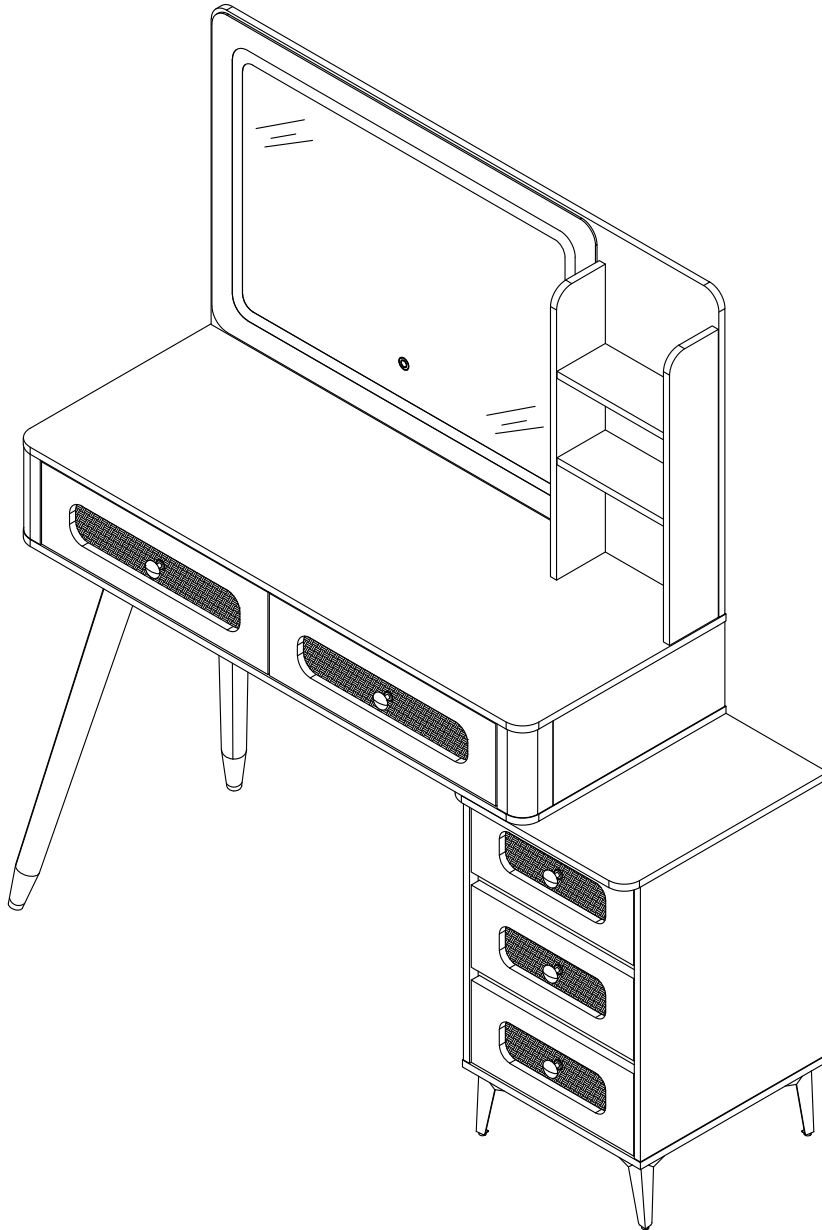
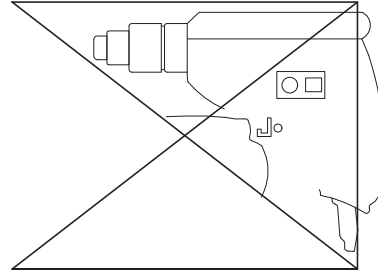
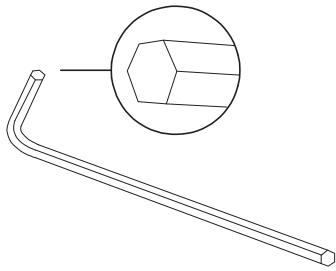


# TABLE

Assembly Instructions - Please keep for future reference



Important - Please read these instructions fully before starting assembly



(DE): Verwenden Sie beim Anbringen der Tischplatte keinen Bohrer!  
Bitte verwenden Sie die im Paket enthaltenen Werkzeuge.

(UK): Do not use an electric drill when installing the desktop!  
Please use the tools provided in the package.

(FR): Ne pas utiliser de perceuse électrique lors de l'installation  
du plateau de table ! Veuillez utiliser les outils fournis dans  
l'emballage.

(IT): Non utilizzare un trapano elettrico durante l'installazione  
del piano del tavolo! Si prega di utilizzare gli strumenti forniti  
nella confezione.

(ES): ¡No utilice un taladro eléctrico al instalar el escritorio!  
Por favor, use las herramientas incluidas en el paquete.

(NL): Gebruik geen elektrische boormachine bij het monteren van het  
tafelblad! Gebruik de meegeleverde gereedschappen uit de verpakking.

(SE): Använd inte en elektrisk bormaskin vid montering av  
bordsskivan! Använd de verktyg som medföljer i förpackningen.

(PL): Nie używaj wiertarki elektrycznej podczas montażu blatu! Użyj  
narzędzi dołączonych do opakowania.



# Safety and Care Advice

**Important – Please read these instructions fully before starting assembly**

- Check you have all the components and tools listed on the following pages.
- Remove all fittings from the plastic bags and separate them into their groups.
- Keep children and animals away from the work area, small parts could choke if swallowed.
- Make sure you have enough space to layout the parts before starting.

- During assembly do not stand or put weight on the product, this could cause damage.
- Assemble the item as close to its final position (in the same room) as possible.
- Assemble on a soft level surface to avoid damaging the unit or your floor.
- Parts of the assembly will be easier with 2 people.



power drill is set on a low torque setting.

- To reduce the likelihood of damaging your product please ensure that your

## Care and maintenance

• Only clean using a damp cloth and mild detergent, do not use bleach or abrasive cleaners.

• From time to time check that there are no loose screws on this unit.

• This product should not be discarded with household waste. Take to your local authority waste disposal centre.

## Handy Hints

• Assemble all parts and bolts loosely during assembly, only once the product is complete should you fully tighten the bolts

• Regularly check and ensure That all bolts and fittings are tightened properly.

## **WARNING** In order to help prevent overturning – please follow these instructions

To help prevent product toppling over please follow the below steps:-

Use the anti tip strap or wall fixing method provided (if applicable)

Do not allow children to climb or hang on the furniture

Do not open more than one drawer at a time

Do not place heavy items in the top drawers

Do not place heavy items on top of the furniture, unless the furniture has been designed for this purpose

Please note that only the anti tip strap is provided.

You will need to provide wall plugs and screws applicable for your wall type

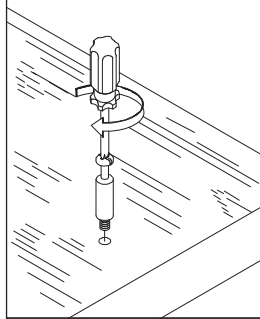
# Using Camlocks

## Step 1

Connect the male camlock as directed in the assembly instructions using a screwdriver.

1

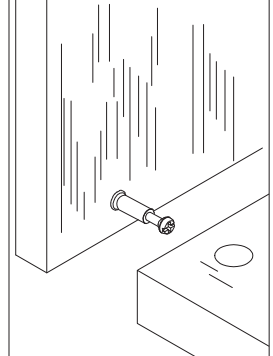
DO NOT OVER TIGHTEN.  
NE PAS SERRER EXCESSIVEMENT.



## Step 2

Push the male camlock into the entry hole.

2

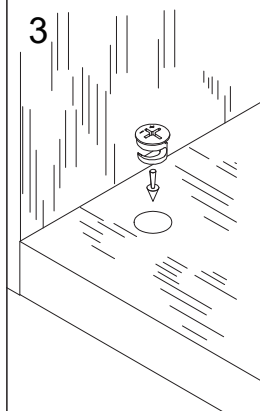


## Step 3

Insert the female camlock as shown in the instruction.

Note: ensure that the arrow on the top of the camlock points towards the entry hole for the male camlock.

3



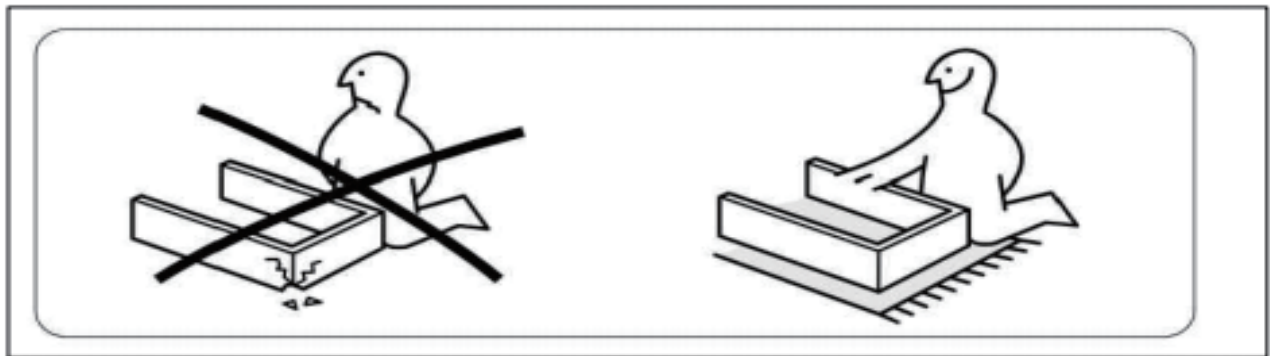
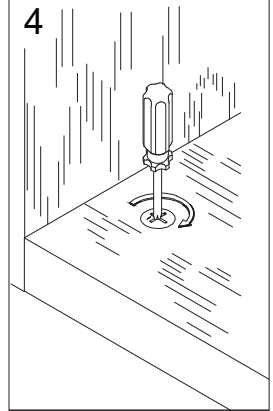
## Step 4

Turn the female camlock clockwise with a screwdriver.

You should feel a click when the camlock is locked in place.

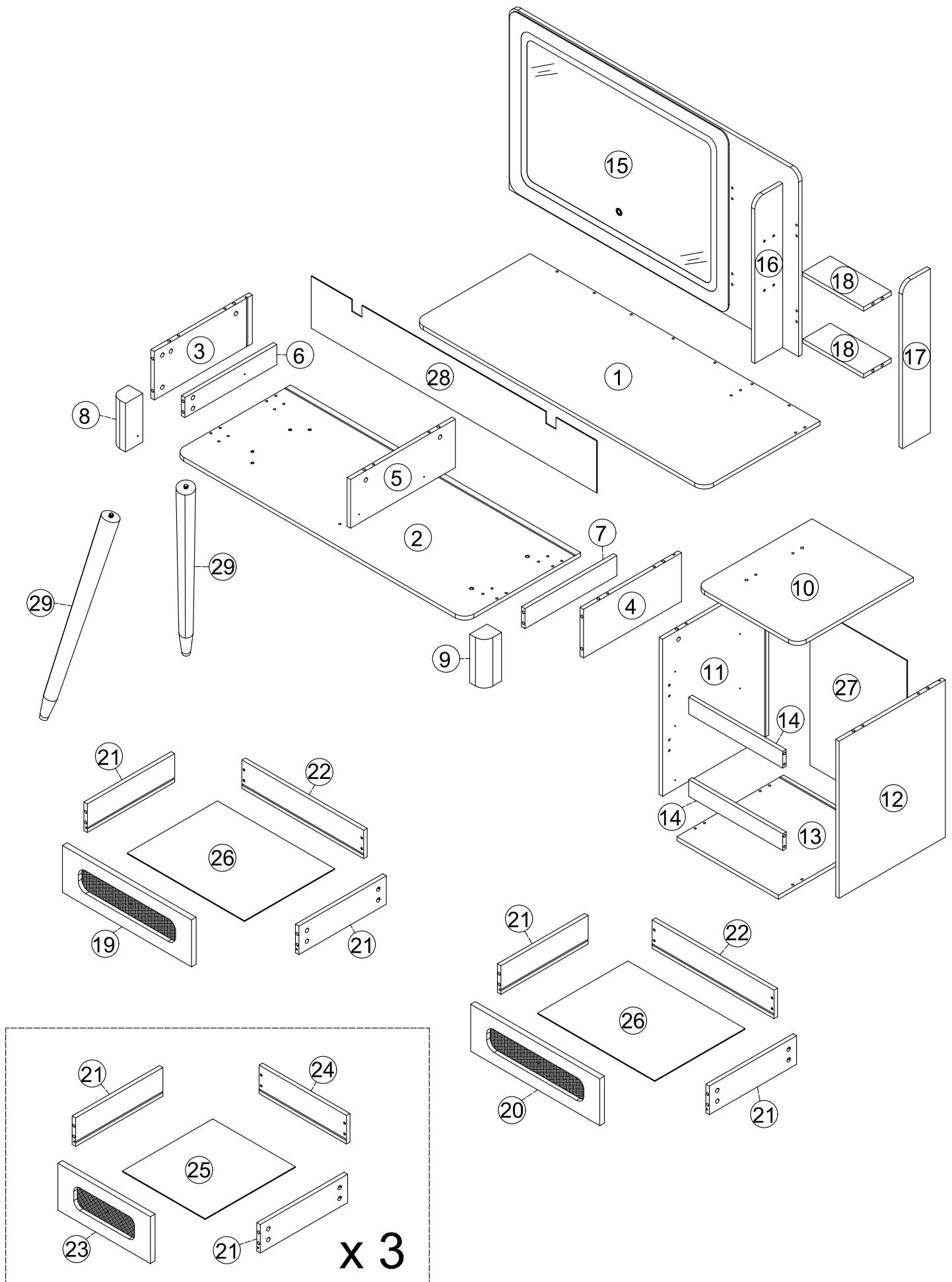
The joint is now secure.

4

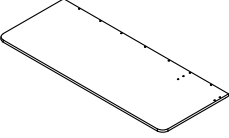
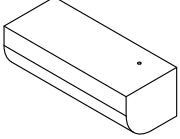
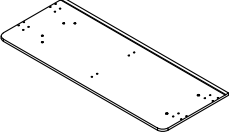
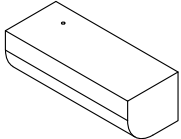
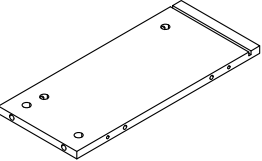
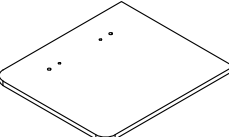
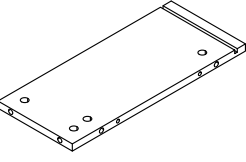
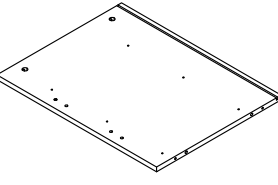
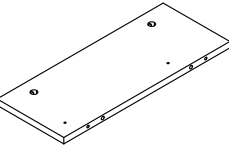
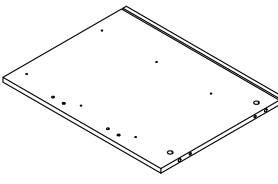
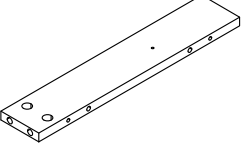
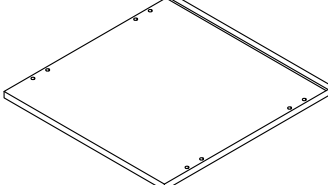
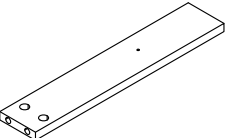
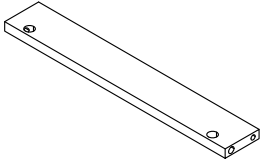


**Make sure to put one carpet or some thicker film under the cabinet body during the installation in order to avoid scratch or damage to the parts.**

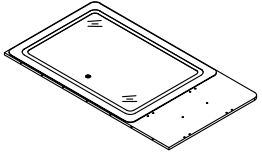
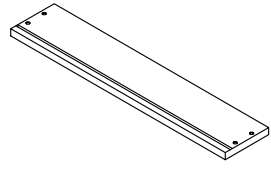
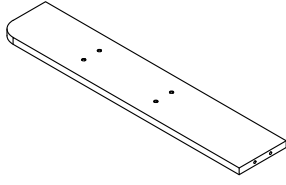
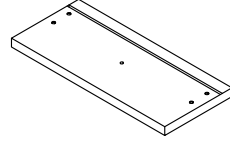
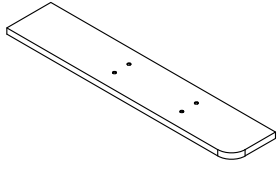
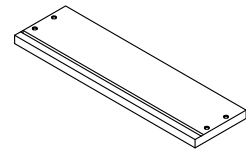
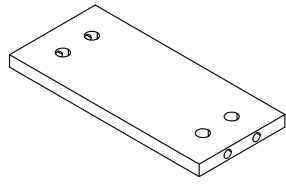
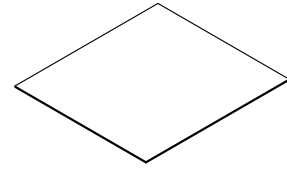
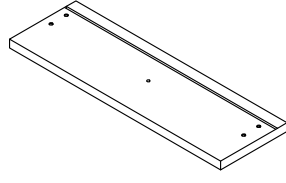
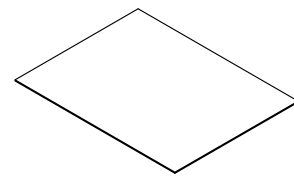
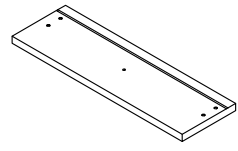
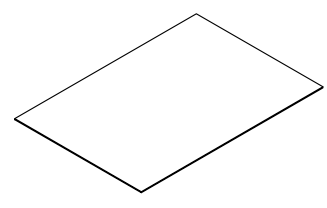
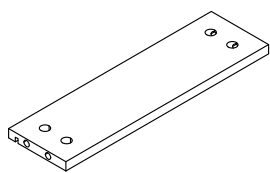
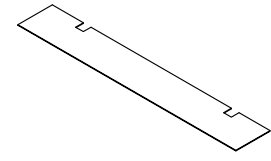
# Assembly Instructions



# Assembly Instructions

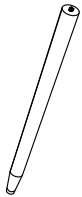
①  1	⑧  1
②  1	⑨  1
③  1	⑩  1
④  1	⑪  1
⑤  1	⑫  1
⑥  1	⑬  1
⑦  1	⑭  2

# Assembly Instructions

<p>15</p>  <p>1</p>	<p>22</p>  <p>2</p>
<p>16</p>  <p>1</p>	<p>23</p>  <p>3</p>
<p>17</p>  <p>1</p>	<p>24</p>  <p>3</p>
<p>18</p>  <p>2</p>	<p>25</p>  <p>3</p>
<p>19</p>  <p>1</p>	<p>26</p>  <p>2</p>
<p>20</p>  <p>1</p>	<p>27</p>  <p>1</p>
<p>21</p>  <p>10</p>	<p>28</p>  <p>1</p>

# Assembly Instructions

29

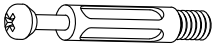






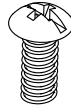
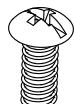
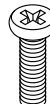



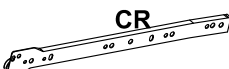





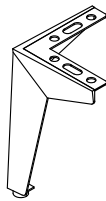
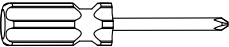
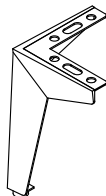


2

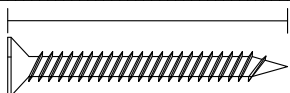
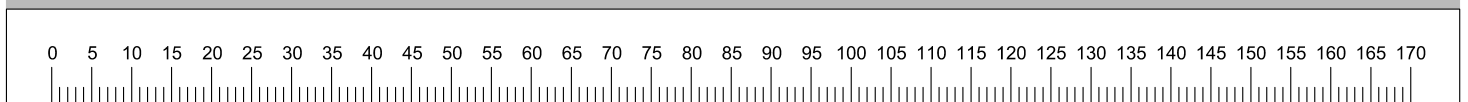
# Components - Fittings

Please check you have all the panels listed below

Note: The quantities below are the correct amount to complete the assembly. In some cases more fittings may be supplied than are required.

<p><b>(A)</b></p>  <p>M6x35 x70</p>	<p><b>(B)</b></p>  <p>Ø12 x70</p>	<p><b>(C)</b></p>  <p>M6x30 x34</p>	<p><b>(D)</b></p>  <p>M5x50 x29</p>
<p><b>(E)</b></p>  <p>M4x10 x40</p>	<p><b>(F)</b></p>   <p>M4x6 x5</p>	<p><b>(G)</b></p>  <p>M6x10 x2</p>	<p><b>(H)</b></p>  <p>M4x12 x4</p>
<p><b>(I)</b></p>  <p>M6x20 x2</p>	<p><b>(J)</b></p>  <p>M4x12 x22</p>	<p><b>(K)</b></p>  <p>x2</p>	<p><b>CL</b></p>  <p><b>CL</b></p> <p>x5</p>
<p><b>CR</b></p>  <p>x5</p>	<p><b>DL</b></p>  <p>x5</p>	<p><b>DR</b></p>  <p>x5</p>	<p><b>(L)</b></p>  <p>L1 L2 L3 L4</p> <p>x2</p>
<p><b>(M)</b></p>   <p>M4x14 x8</p>	<p><b>(N)</b></p>  <p>x70</p>	<p><b>(O)</b></p>  <p>x1</p>	<p><b>(P)</b></p>  <p>x4</p>

Ruler - Use this ruler to help correctly identify the screws

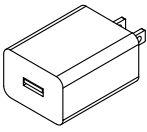


The screws length is measured from the head to the point (35mm screw shown).

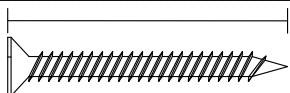
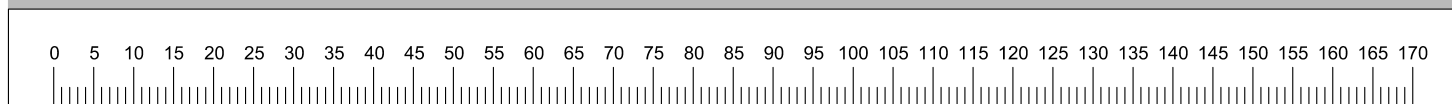
# Components - Fittings

Please check you have all the panels listed below

Note: The quantities below are the correct amount to complete the assembly. In some cases more fittings may be supplied than are required.

<p>Q</p>  <p>x1</p>			

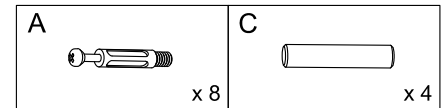
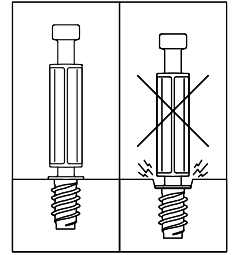
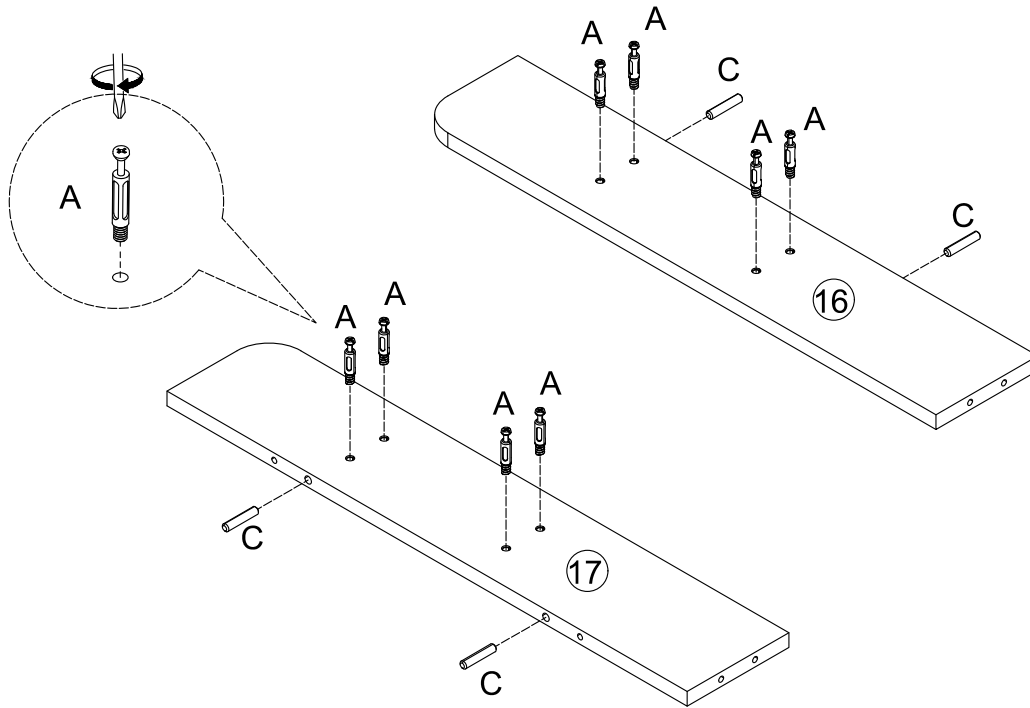
Ruler - Use this ruler to help correctly identify the screws



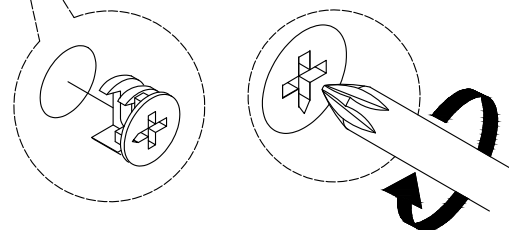
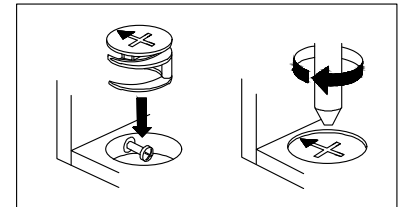
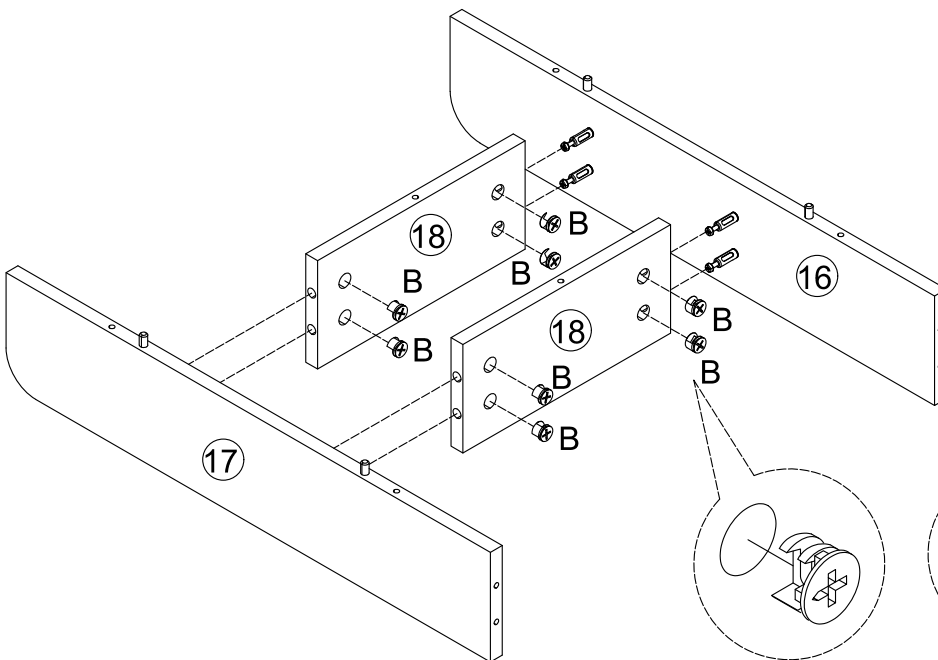
The screws length is measured from the head to the point (35mm screw shown).

# Assembly Instructions

## Step 1

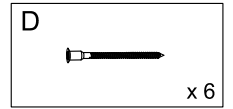
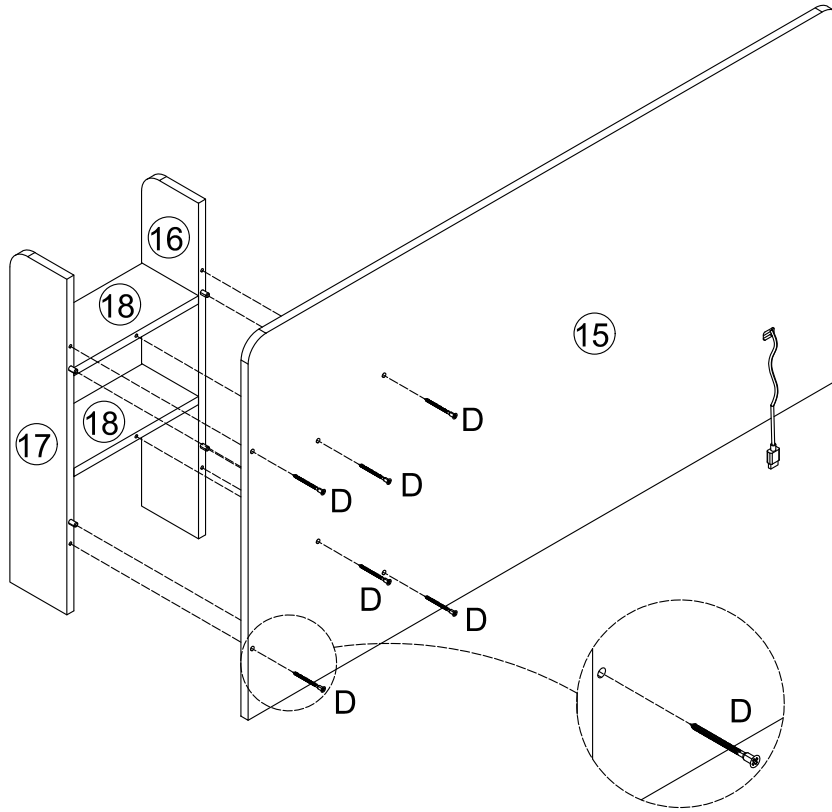


## Step 2

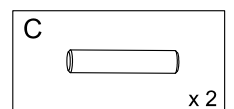
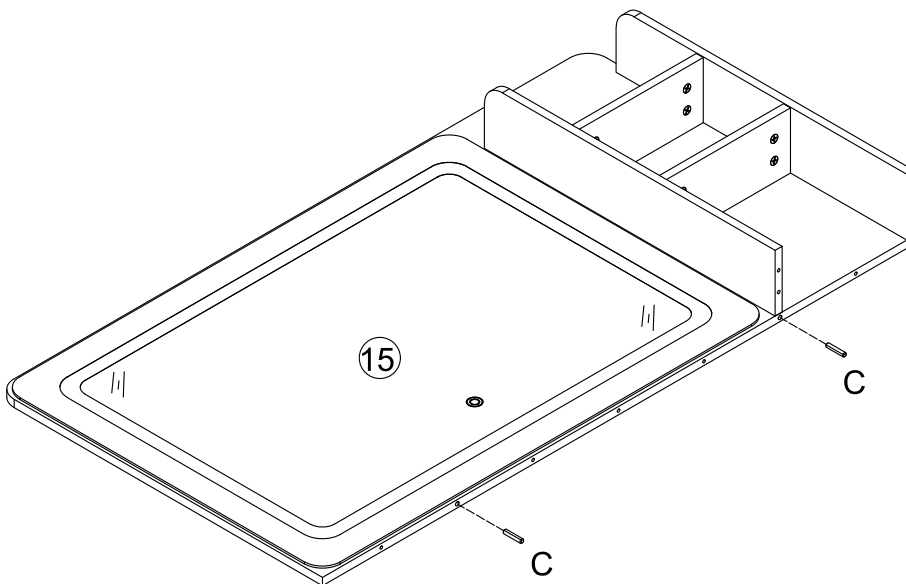


# Assembly Instructions

## Step 3

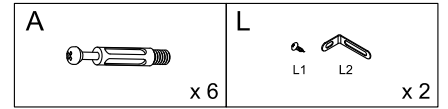
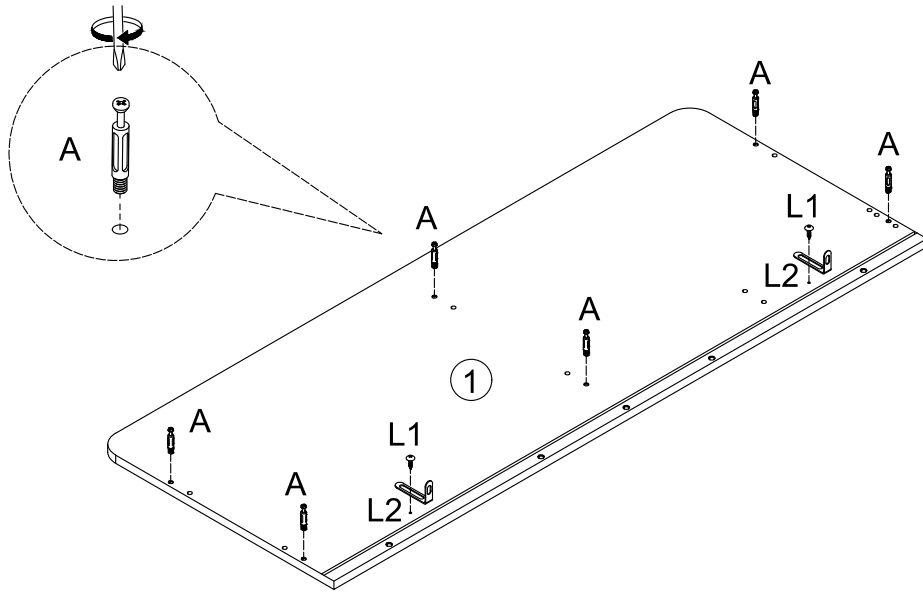


## Step 4

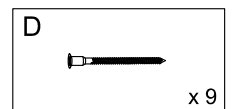
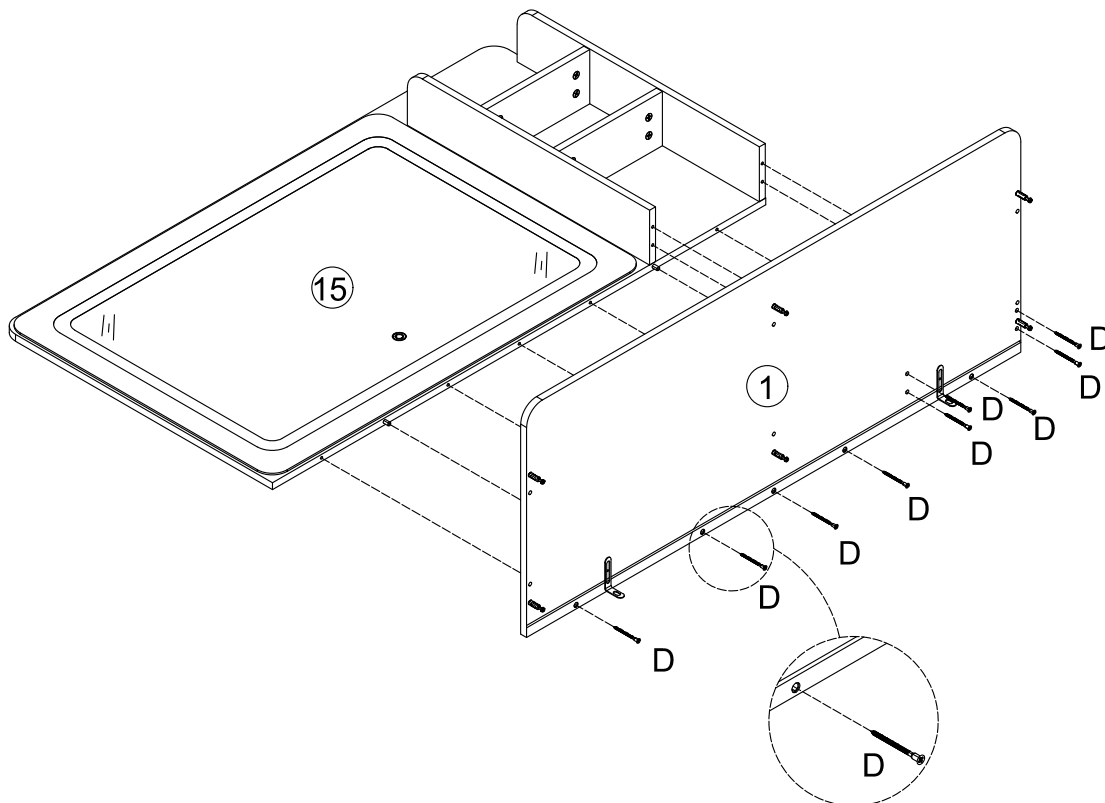


# Assembly Instructions

## Step 5

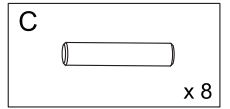
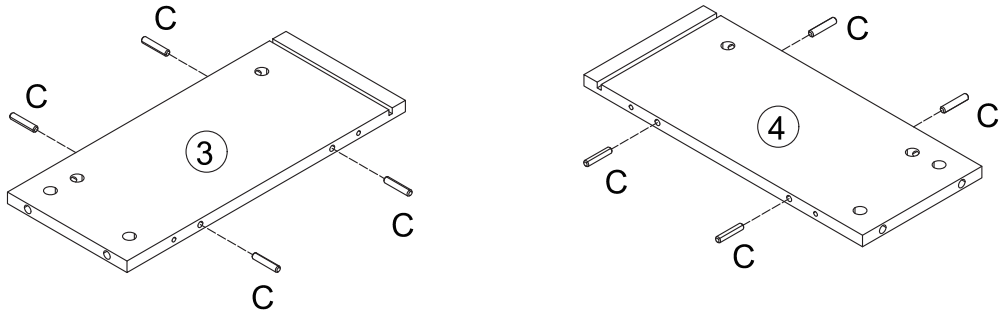


## Step 6

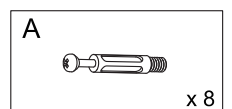
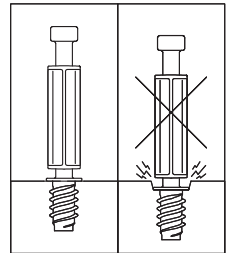
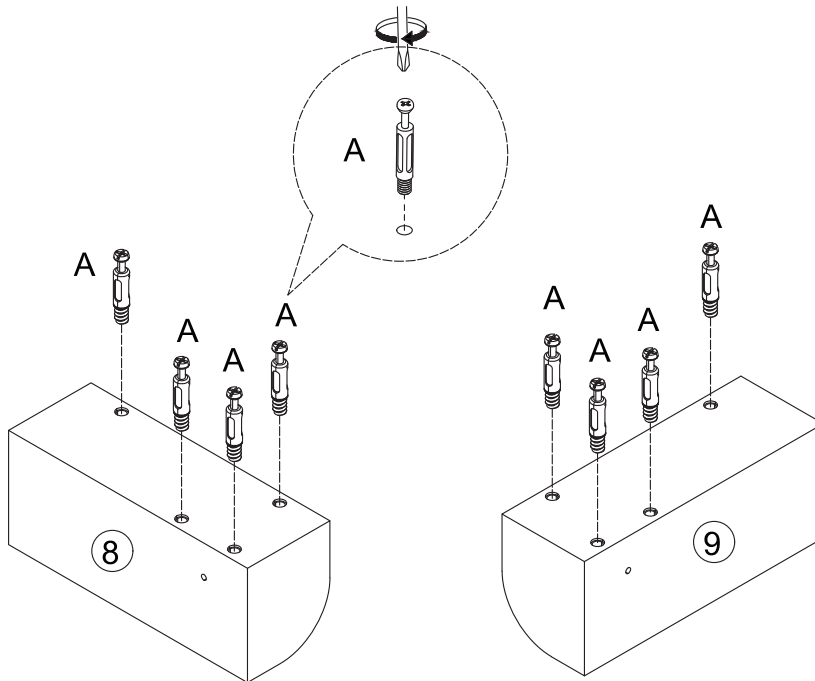


# Assembly Instructions

## Step 7

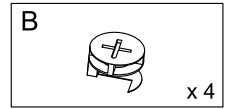
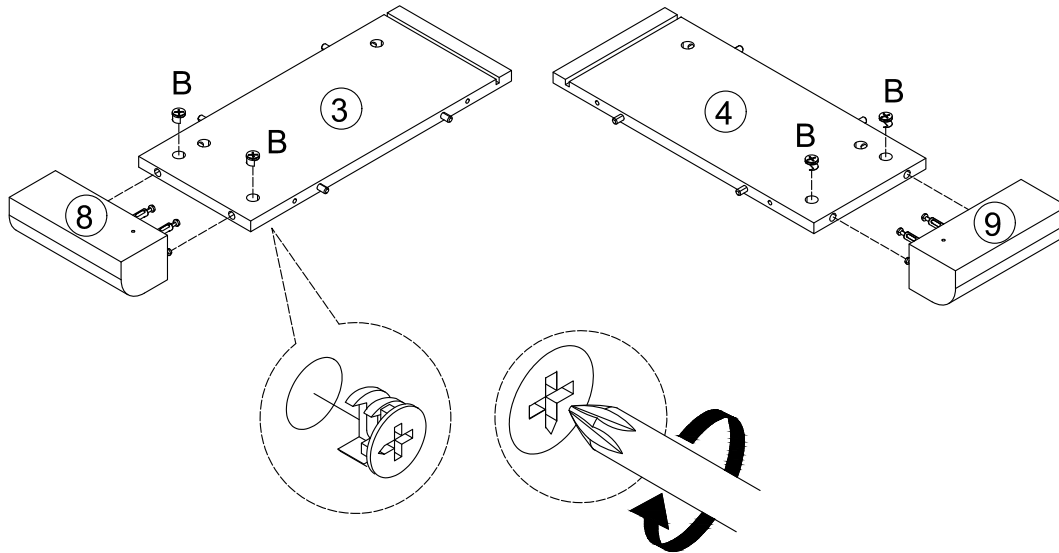
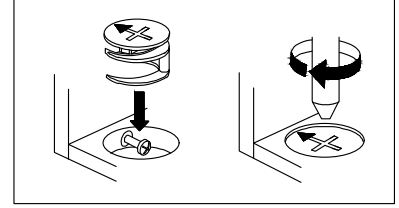


## Step 8

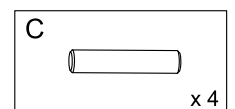
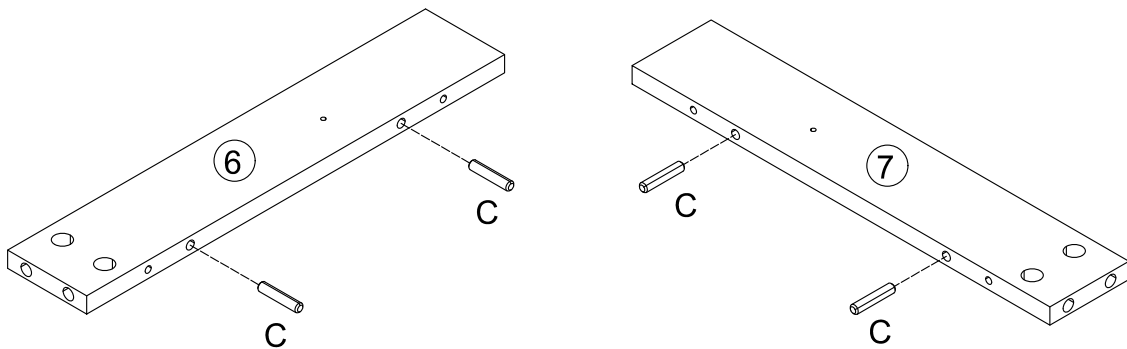


# Assembly Instructions

## Step 9

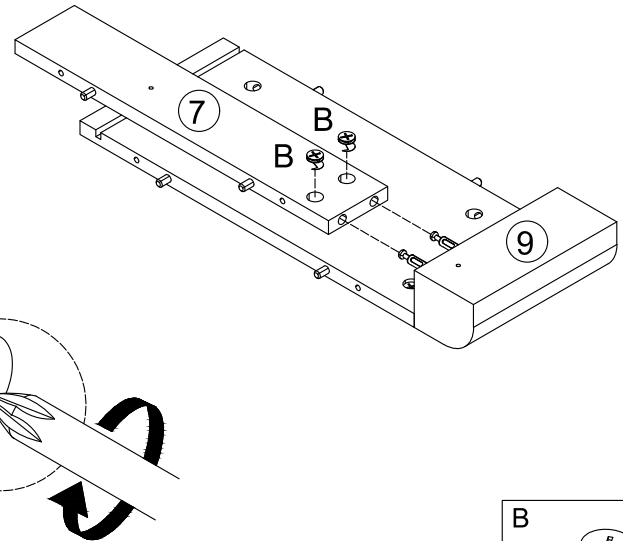
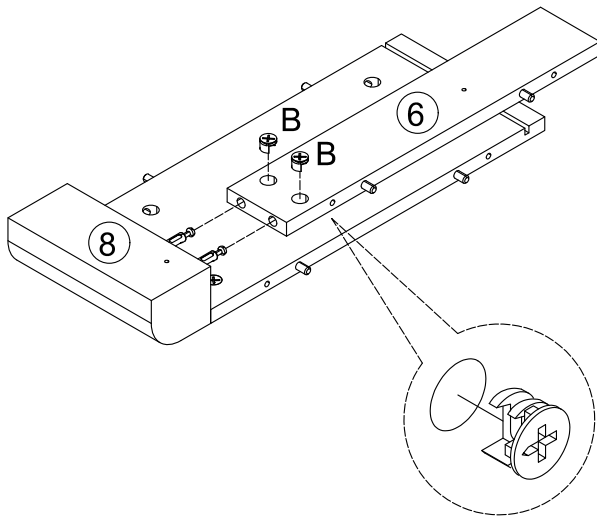
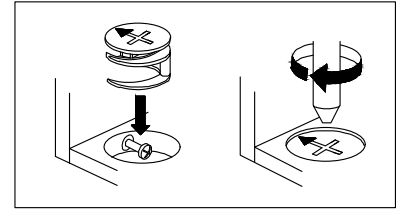


## Step 10

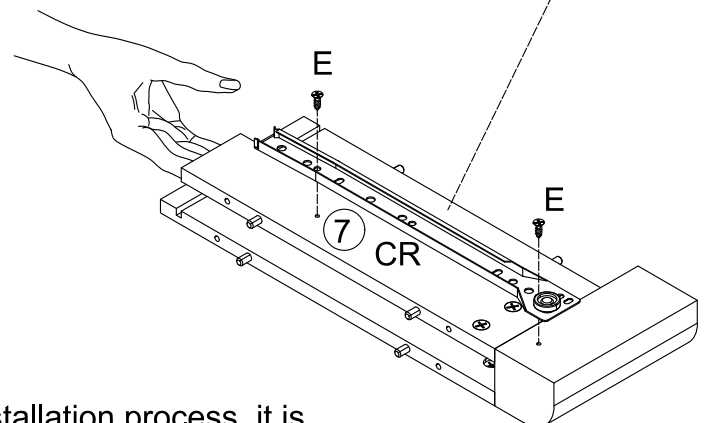
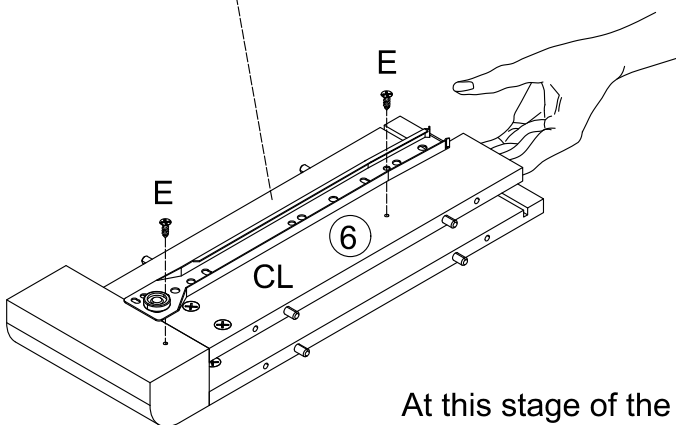
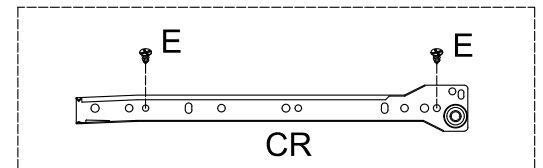
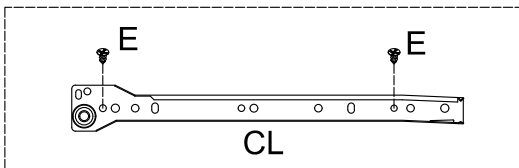


# Assembly Instructions

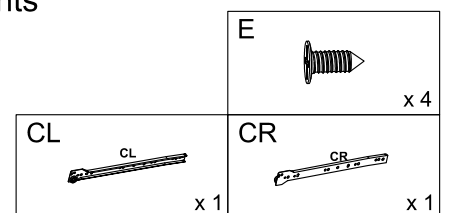
## Step 11



## Step 12

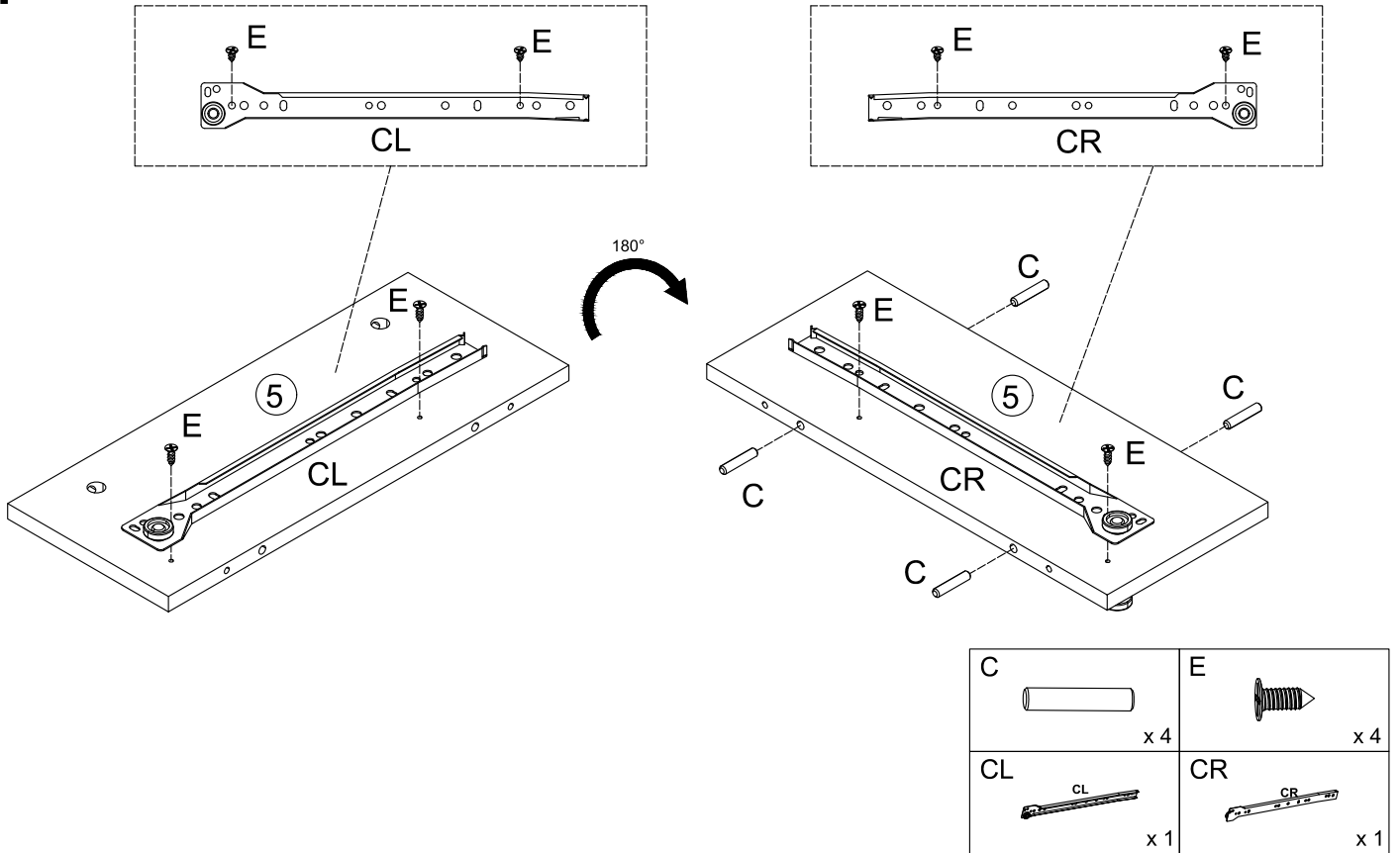


At this stage of the installation process, it is necessary to manually support Components 6 and 7 to prevent potential damage.

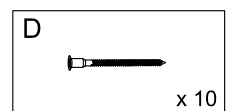
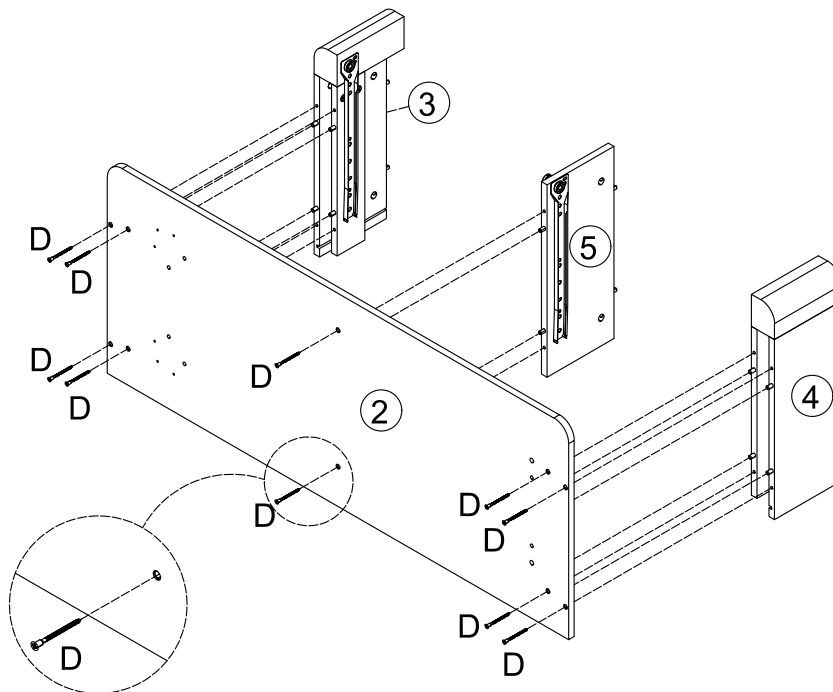


# Assembly Instructions

## Step 13

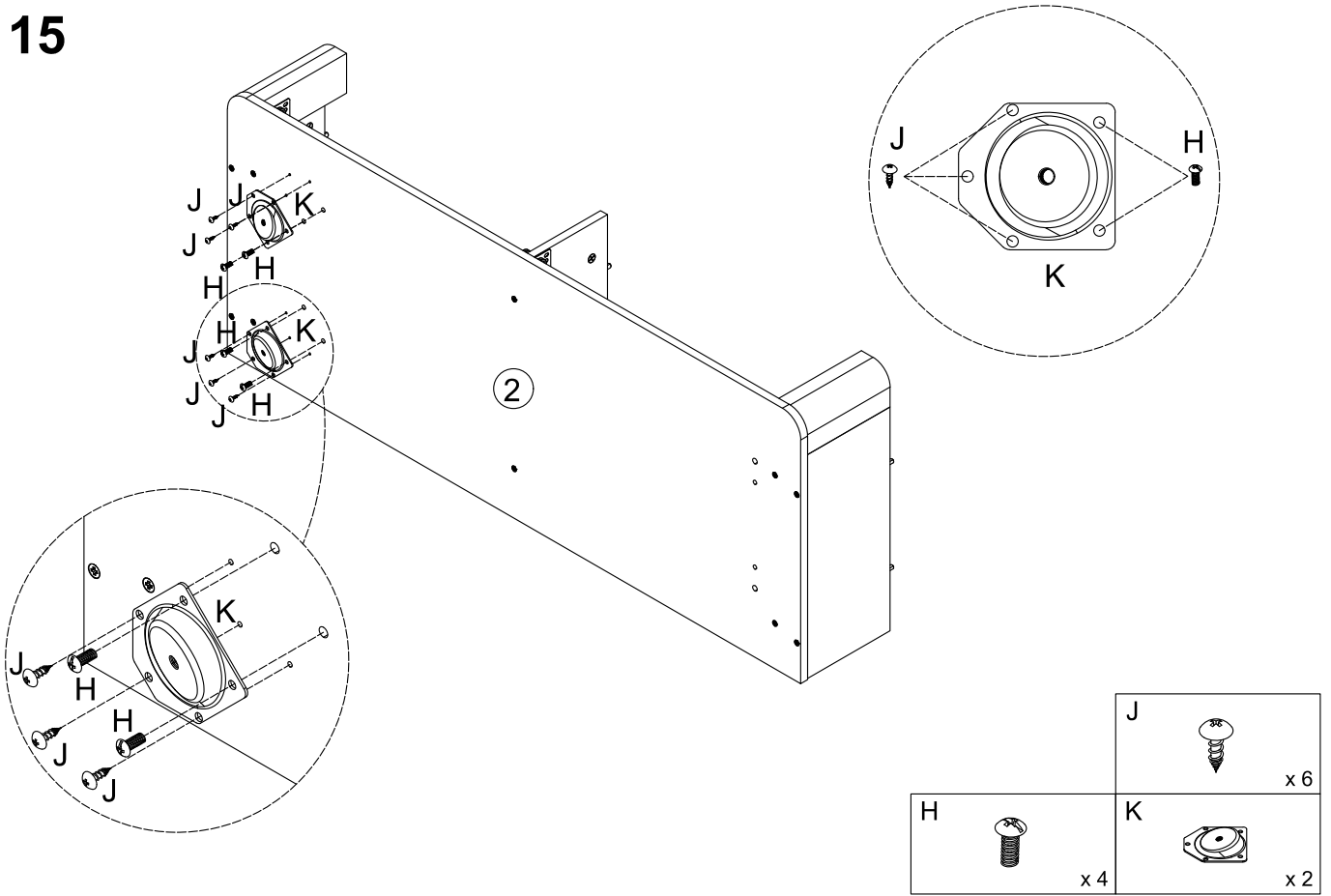


## Step 14

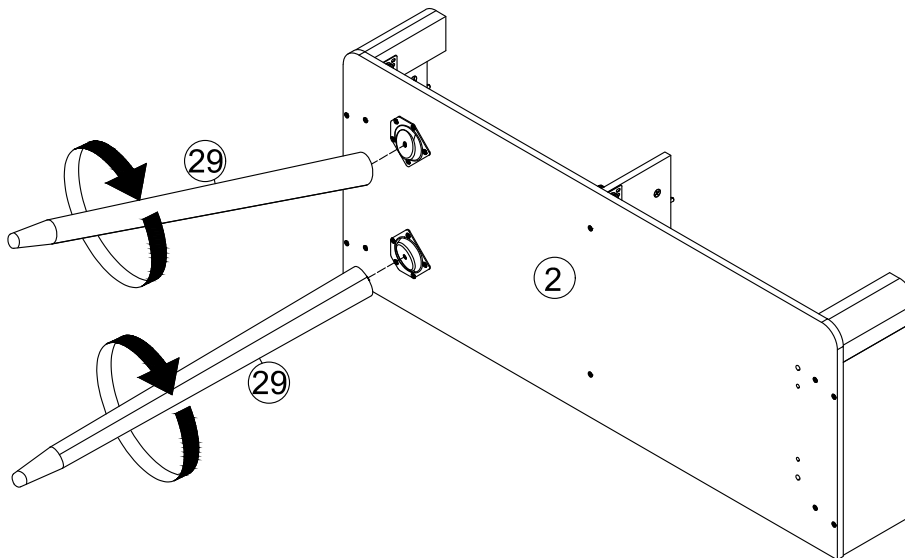


# Assembly Instructions

## Step 15

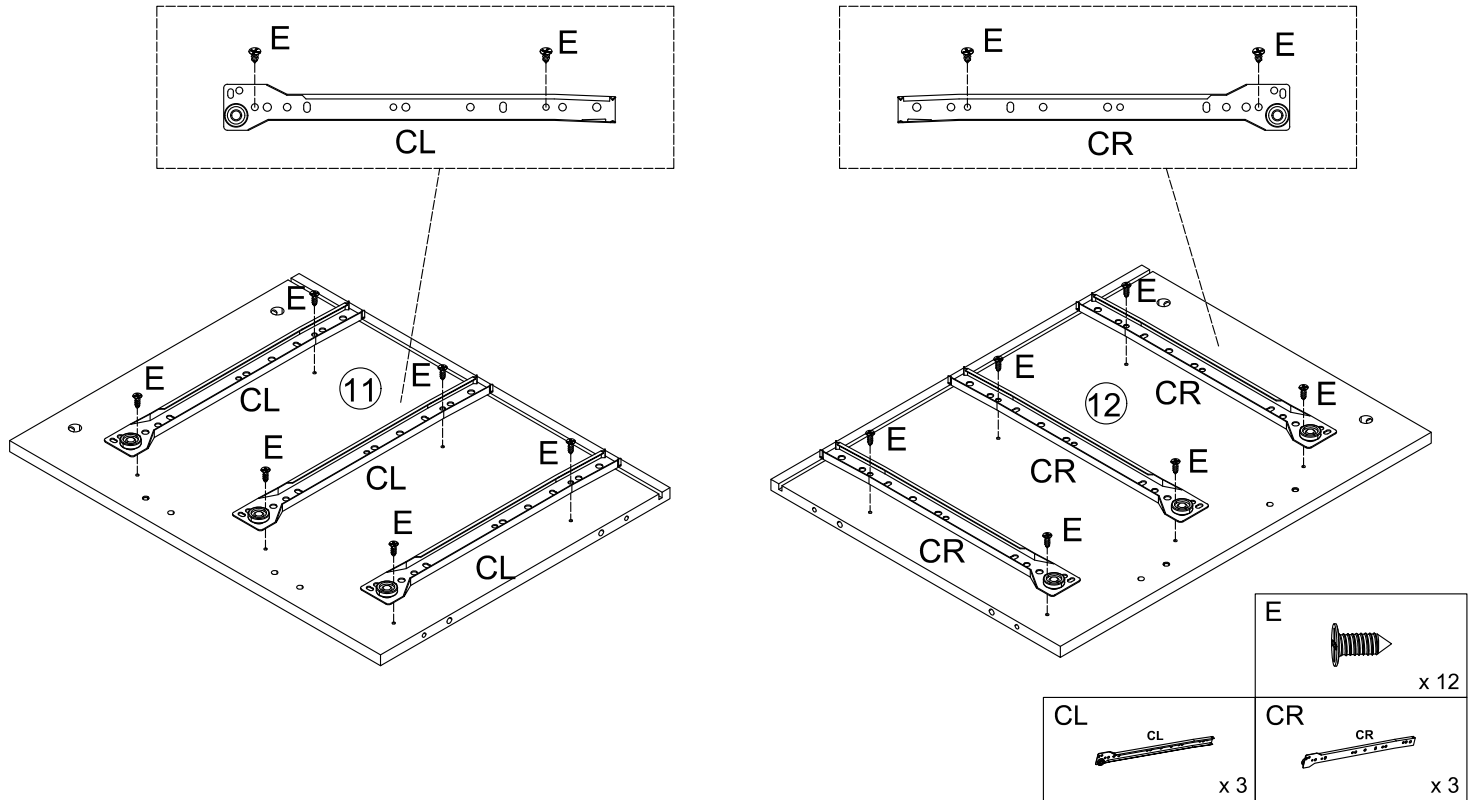


## Step 16

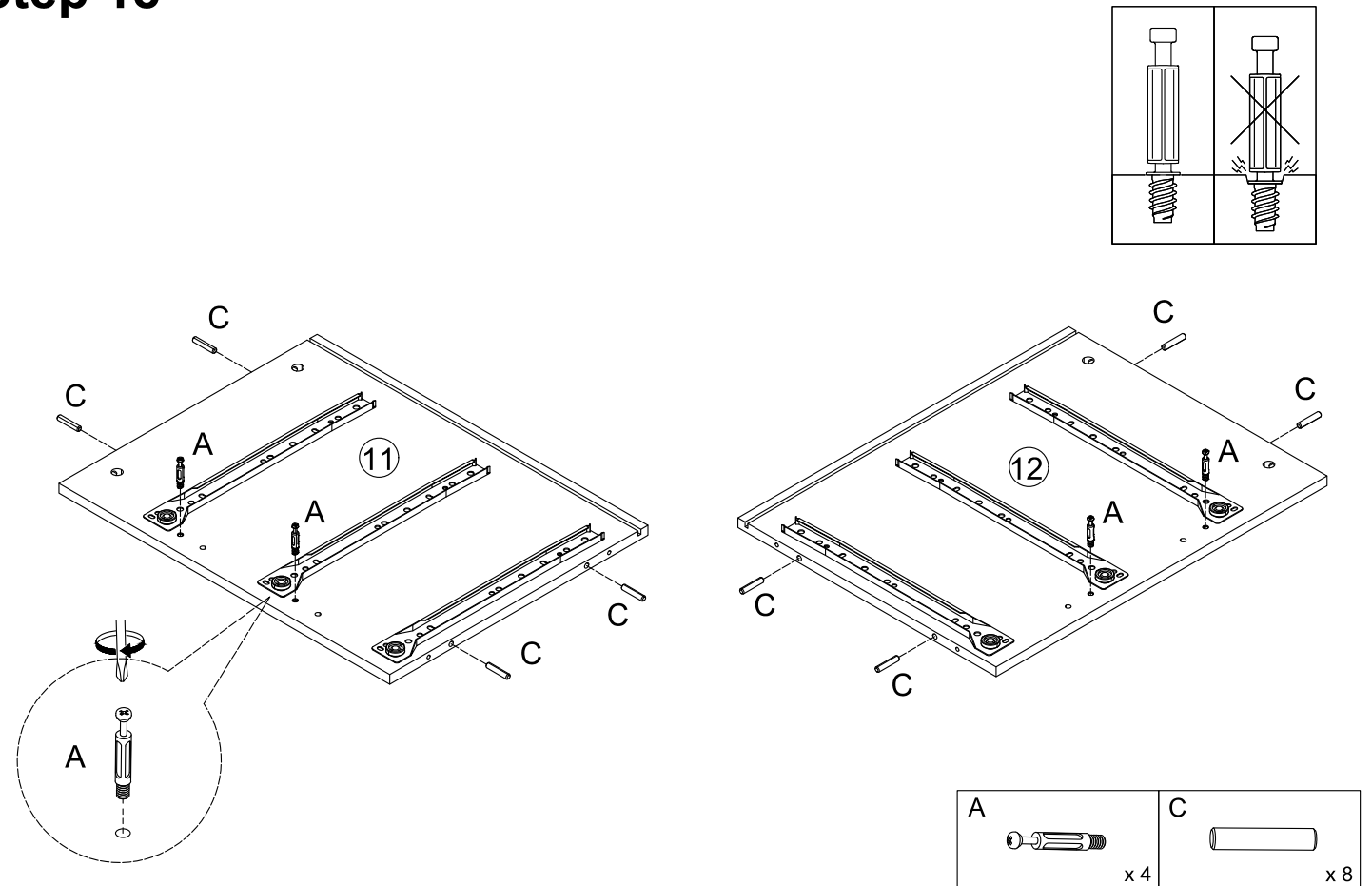


# Assembly Instructions

## Step 17

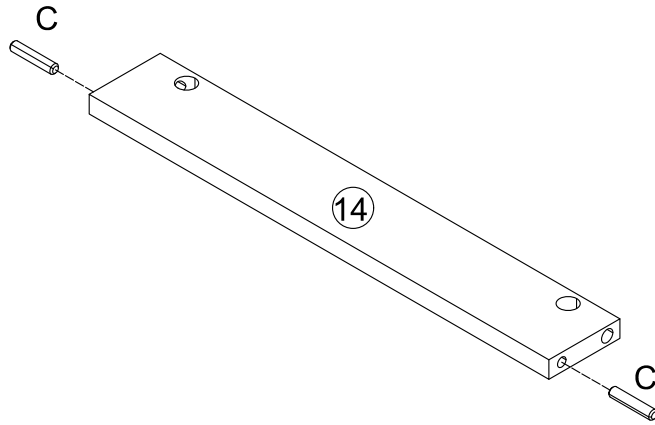


## Step 18

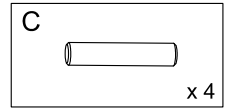


# Assembly Instructions

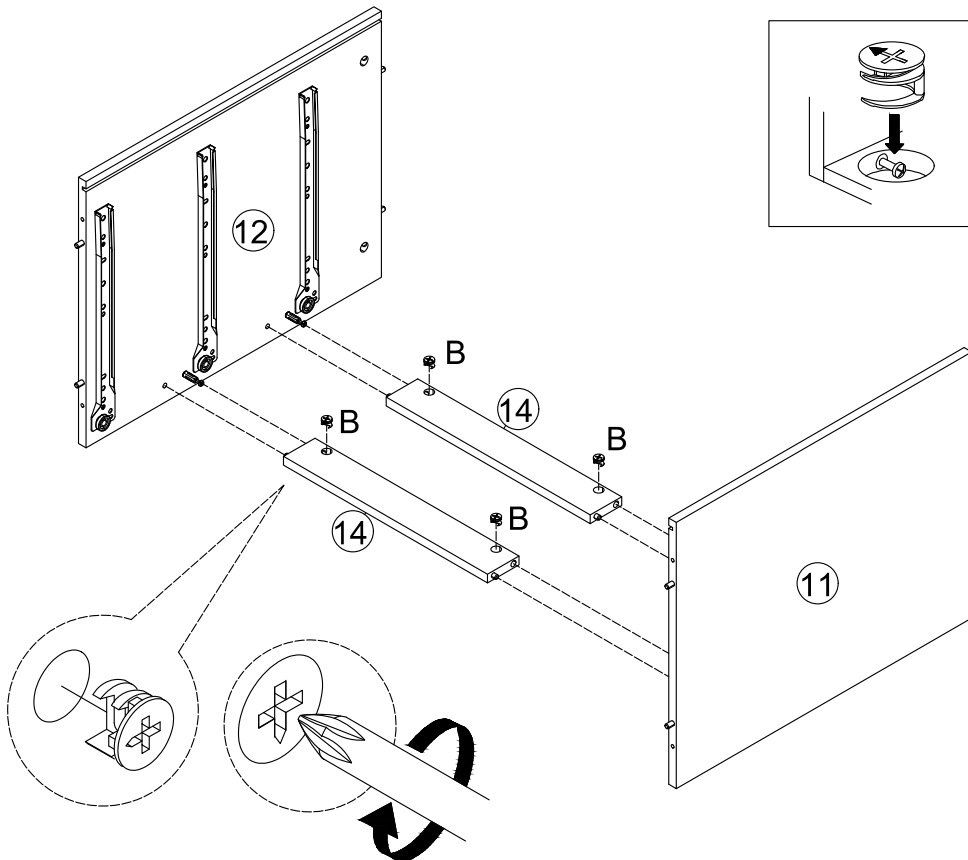
## Step 19



x 2

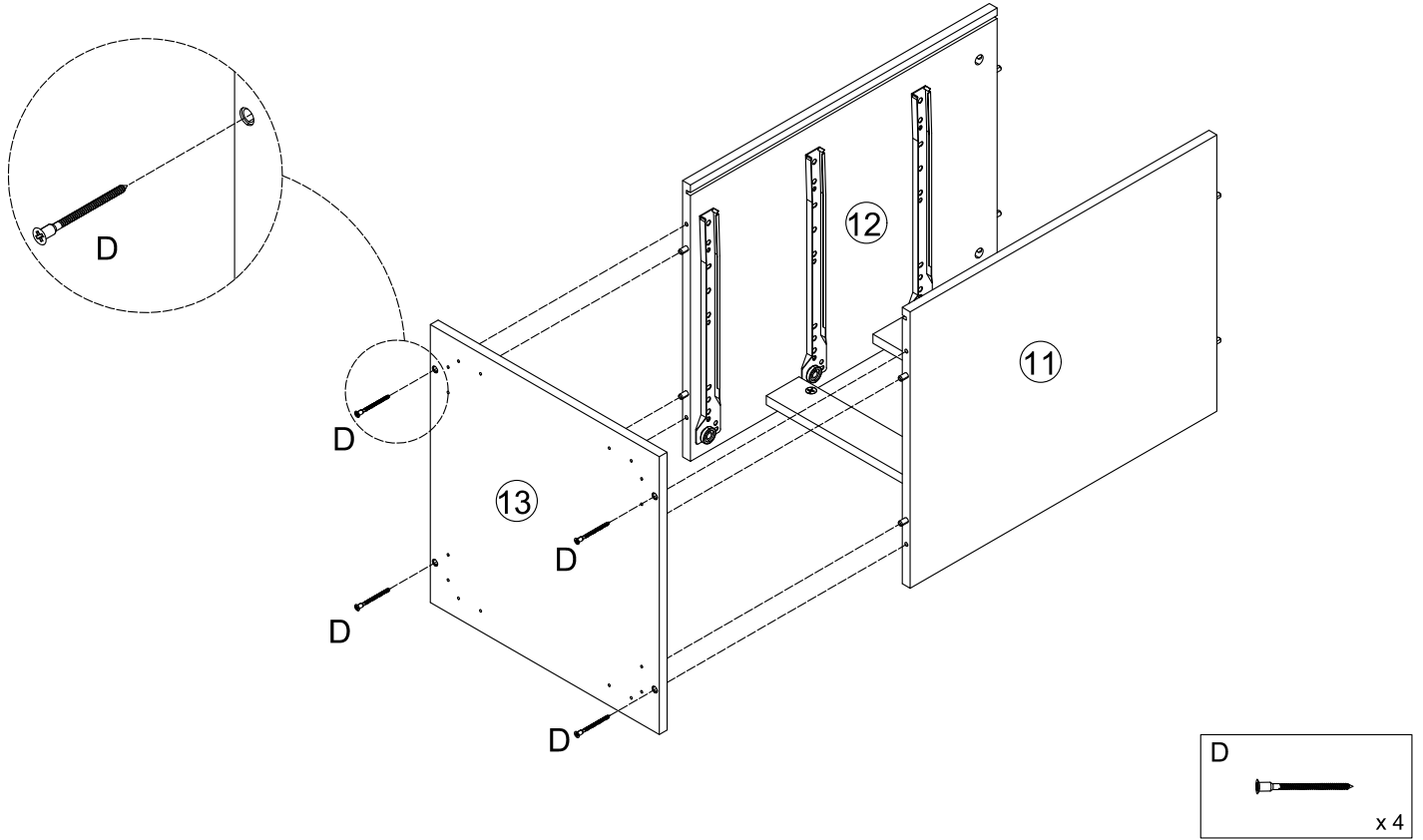


## Step 20

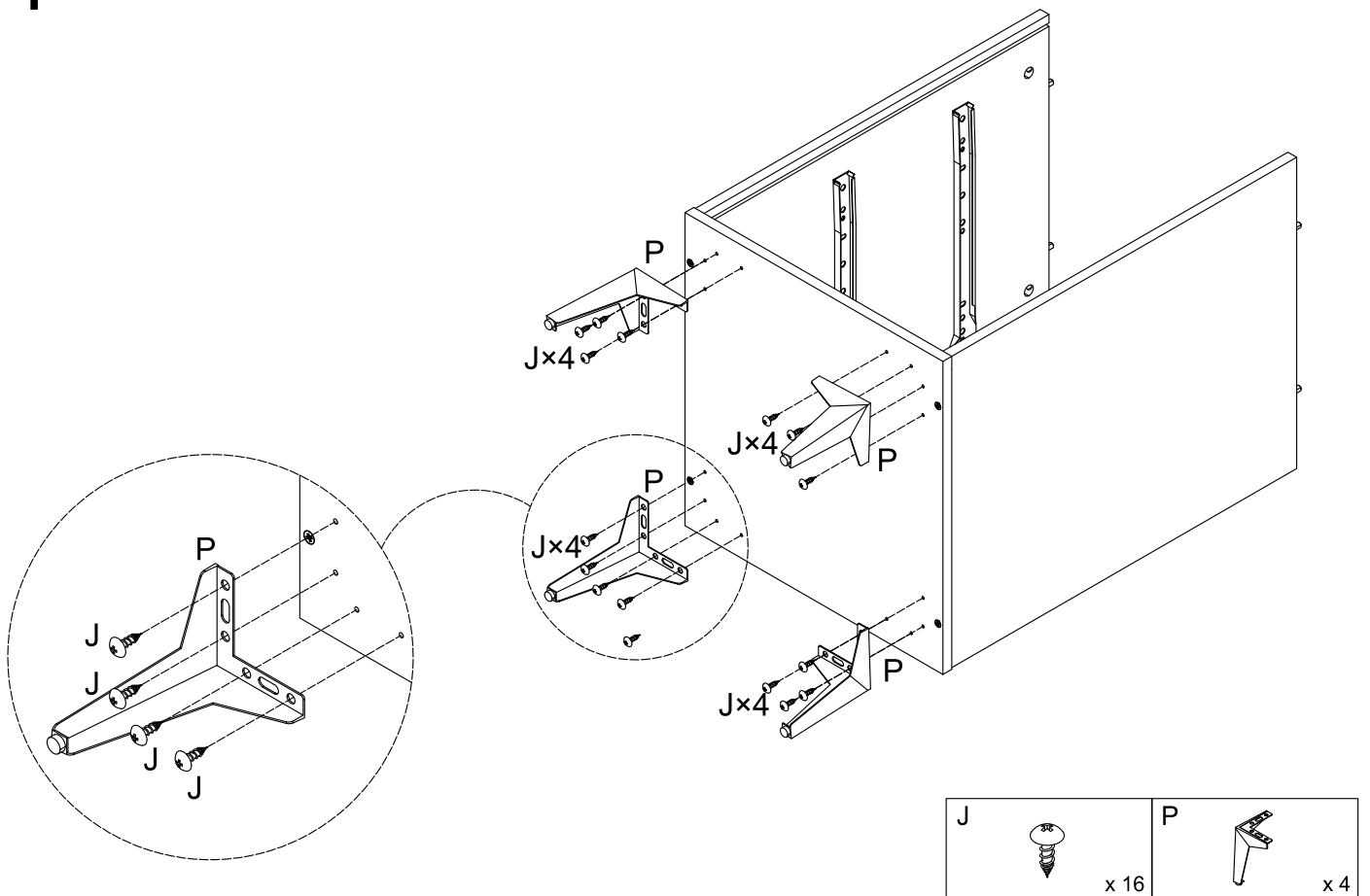


# Assembly Instructions

## Step 21

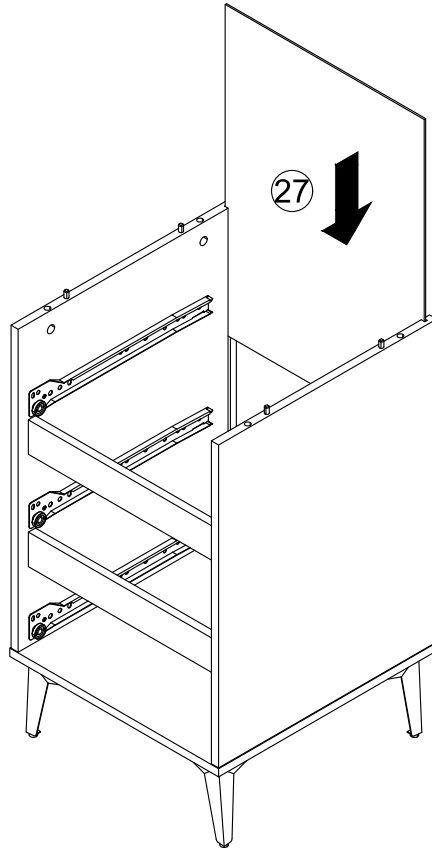


## Step 22

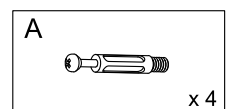
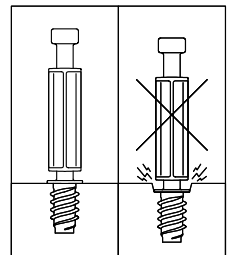
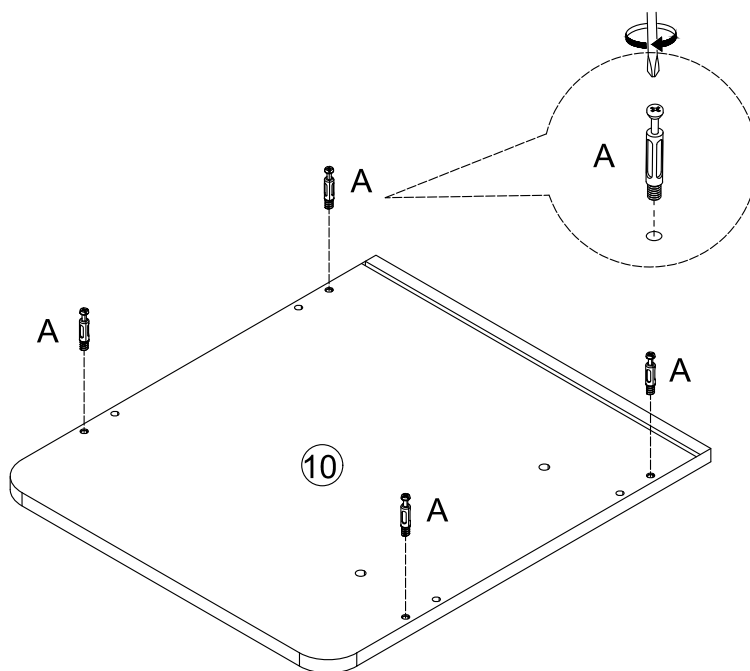


# Assembly Instructions

## Step 23

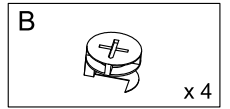
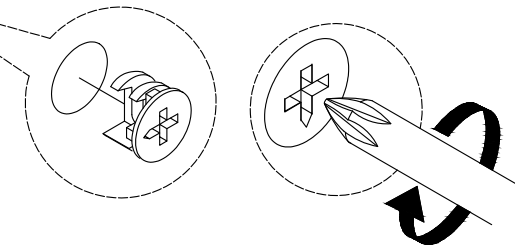
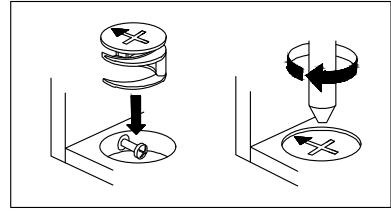
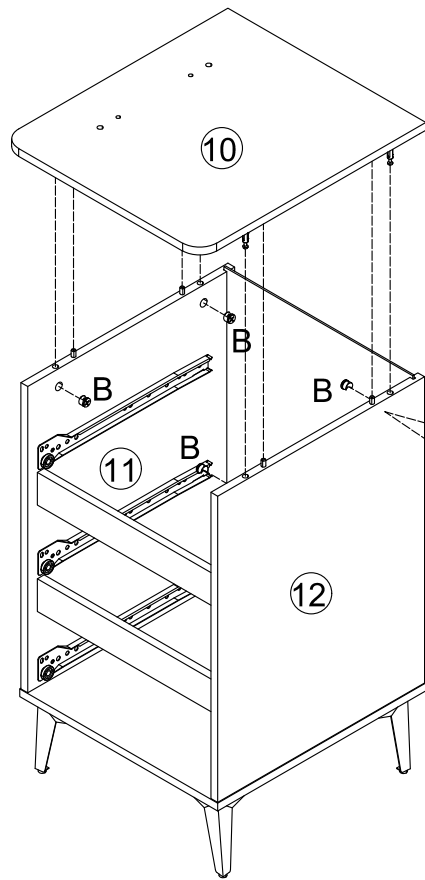


## Step 24

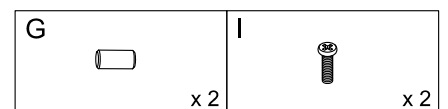
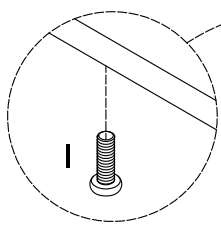
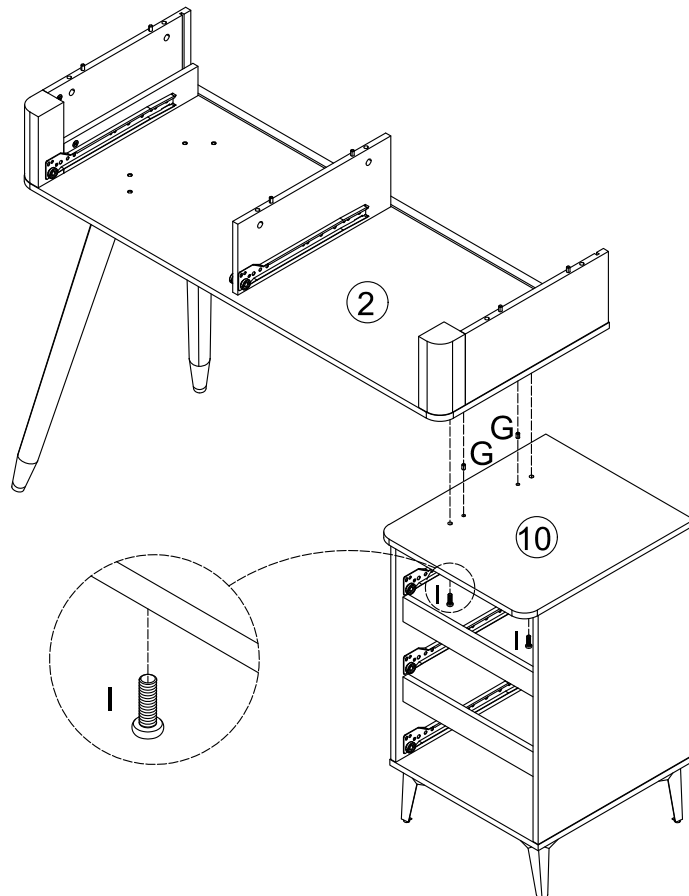


# Assembly Instructions

## Step 25

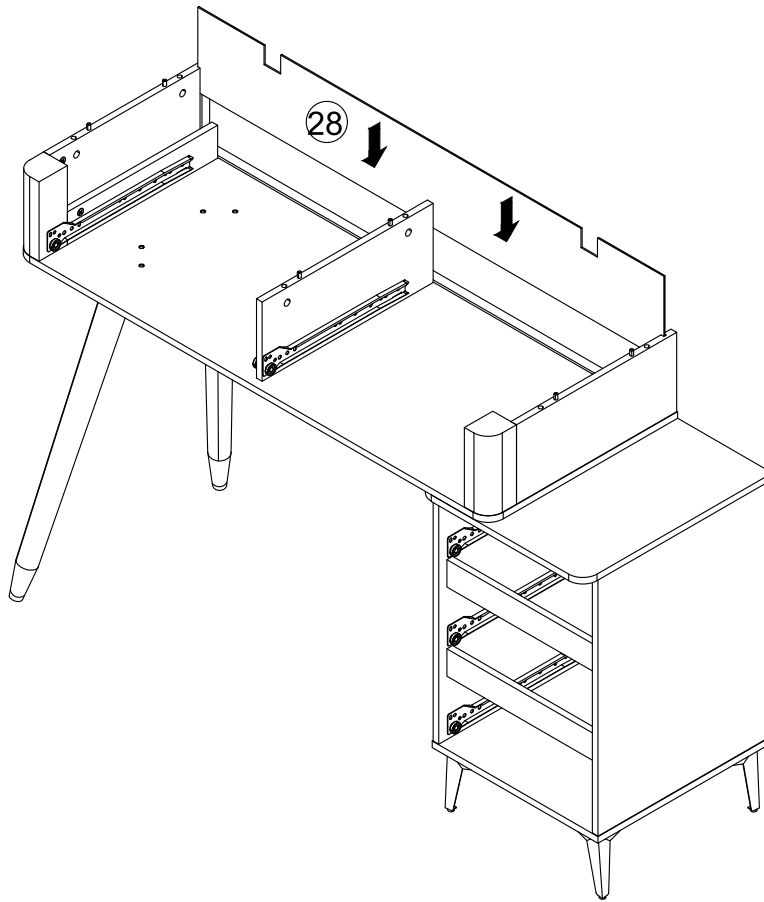


## Step 26

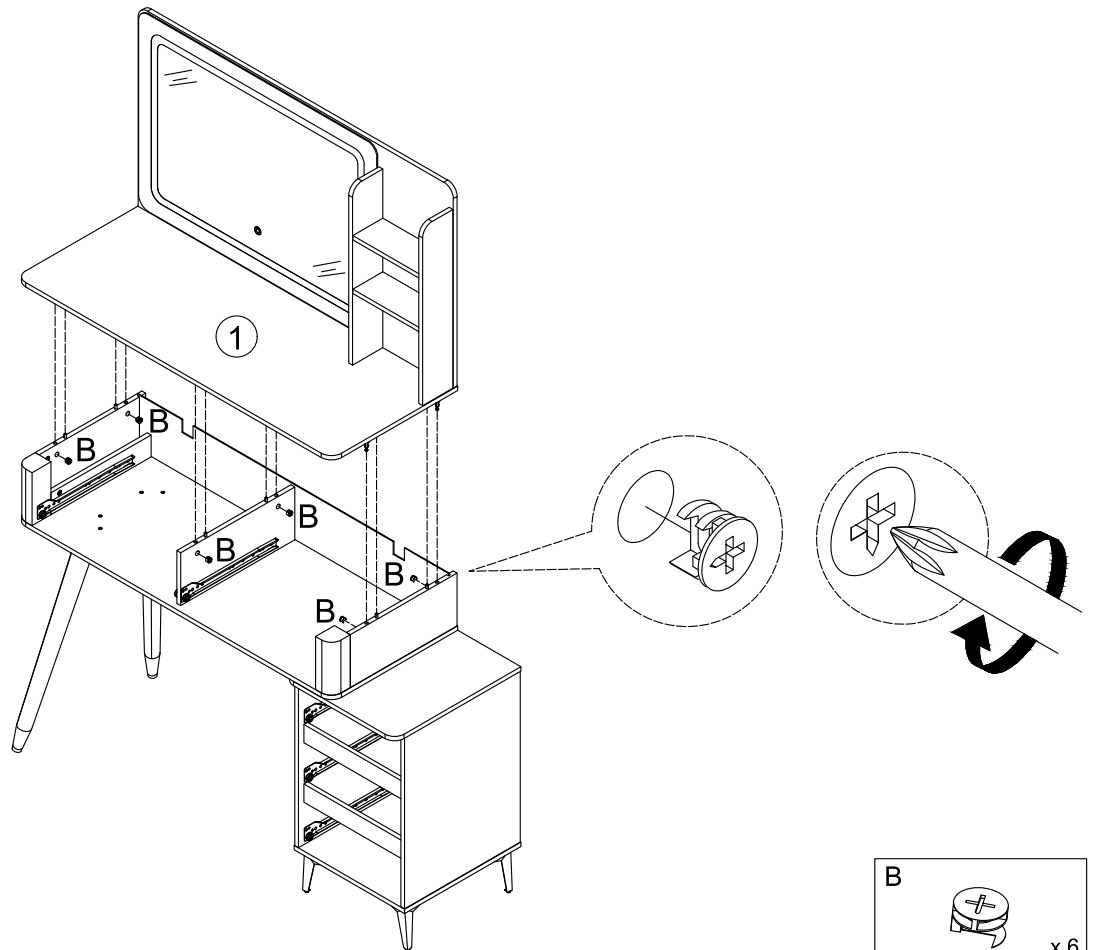


# Assembly Instructions

## Step 27

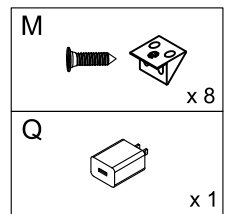
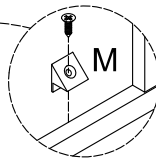
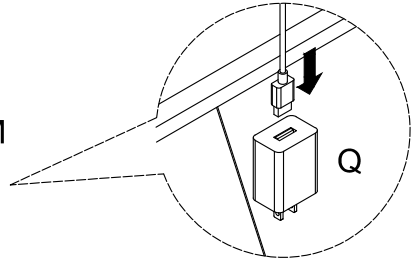
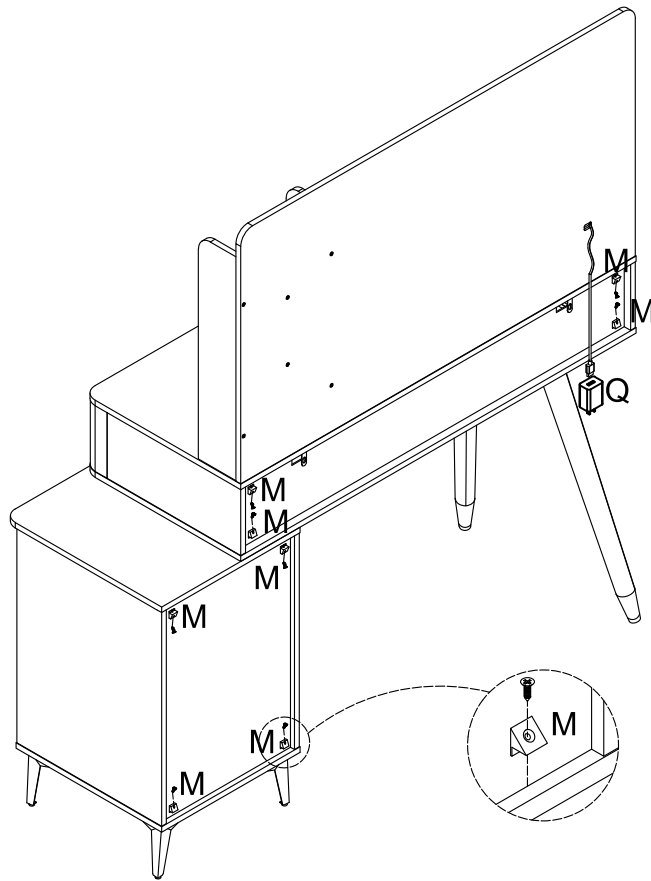


## Step 28

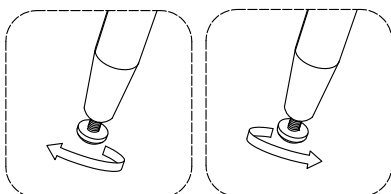
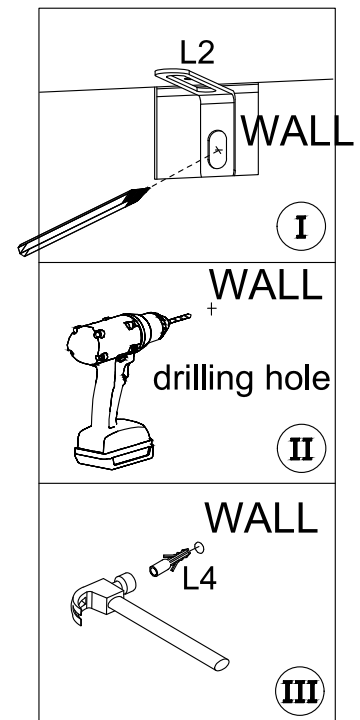
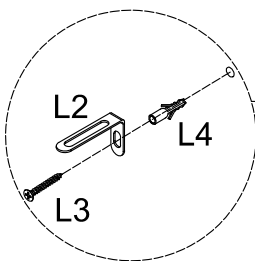
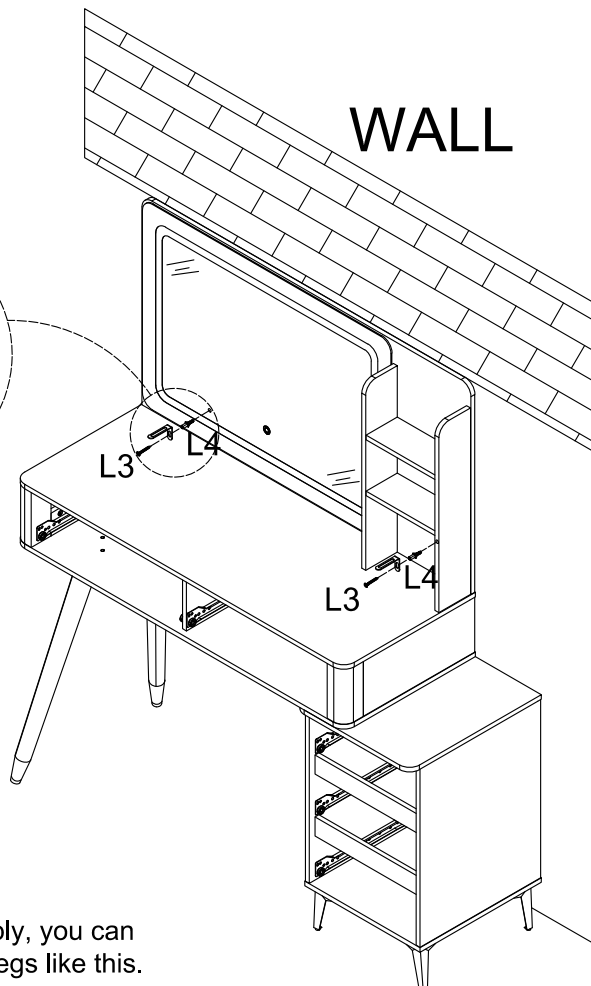


# Assembly Instructions

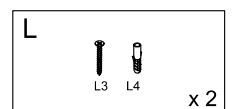
## Step 29



## Step 30

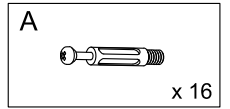
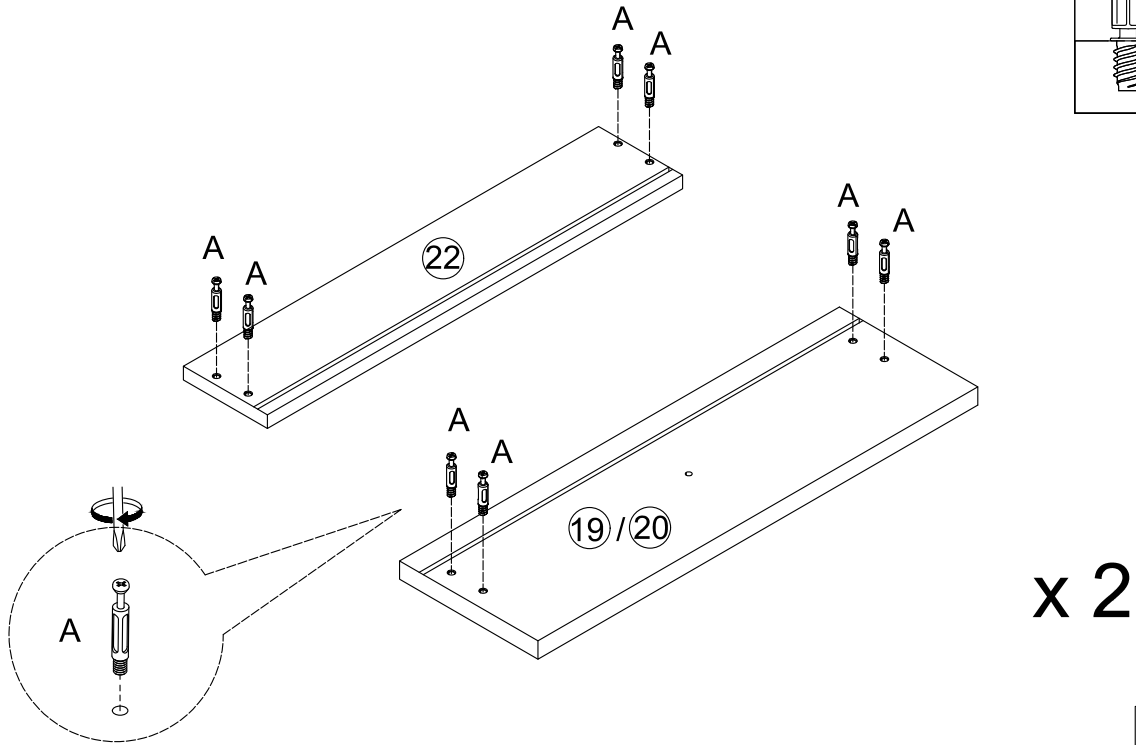


If the cabinet is not placed stably, you can adjust the height of the metal legs like this.

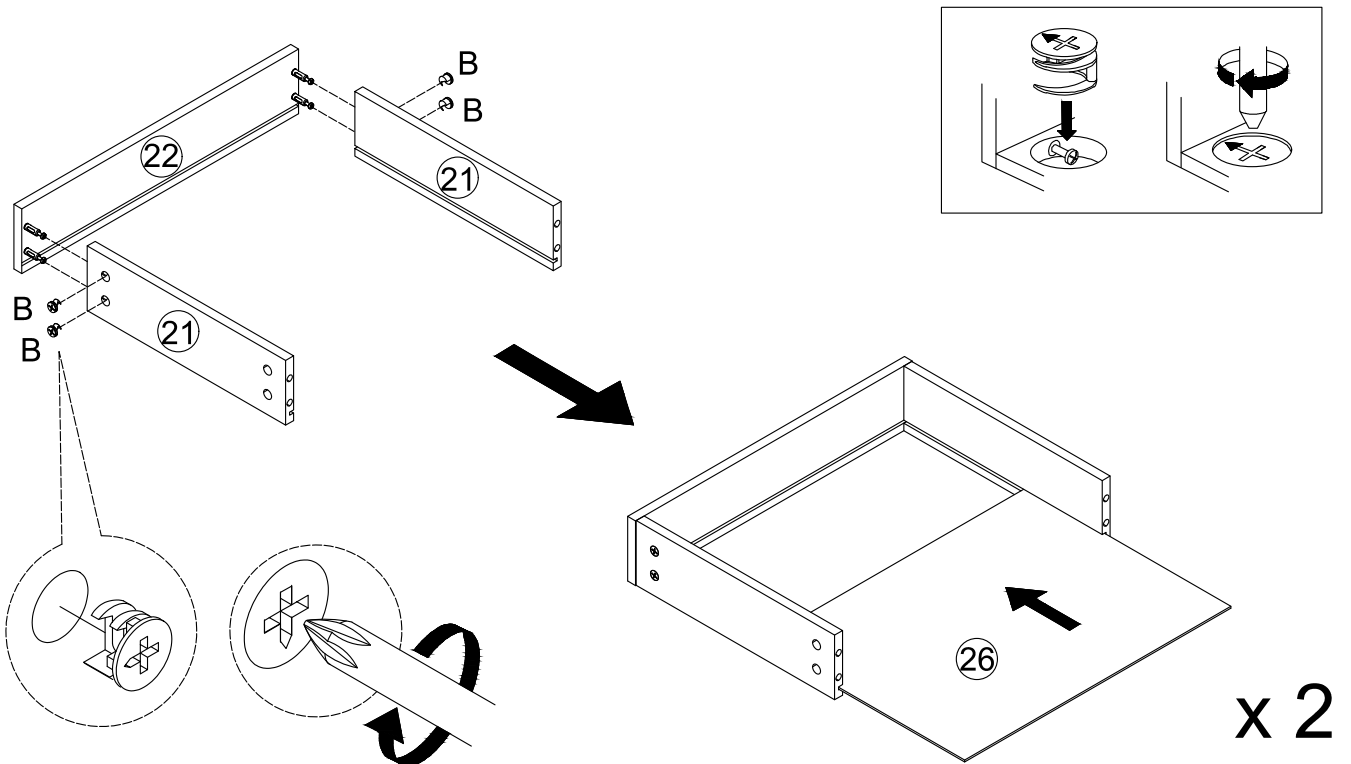


# Assembly Instructions

## Step 31

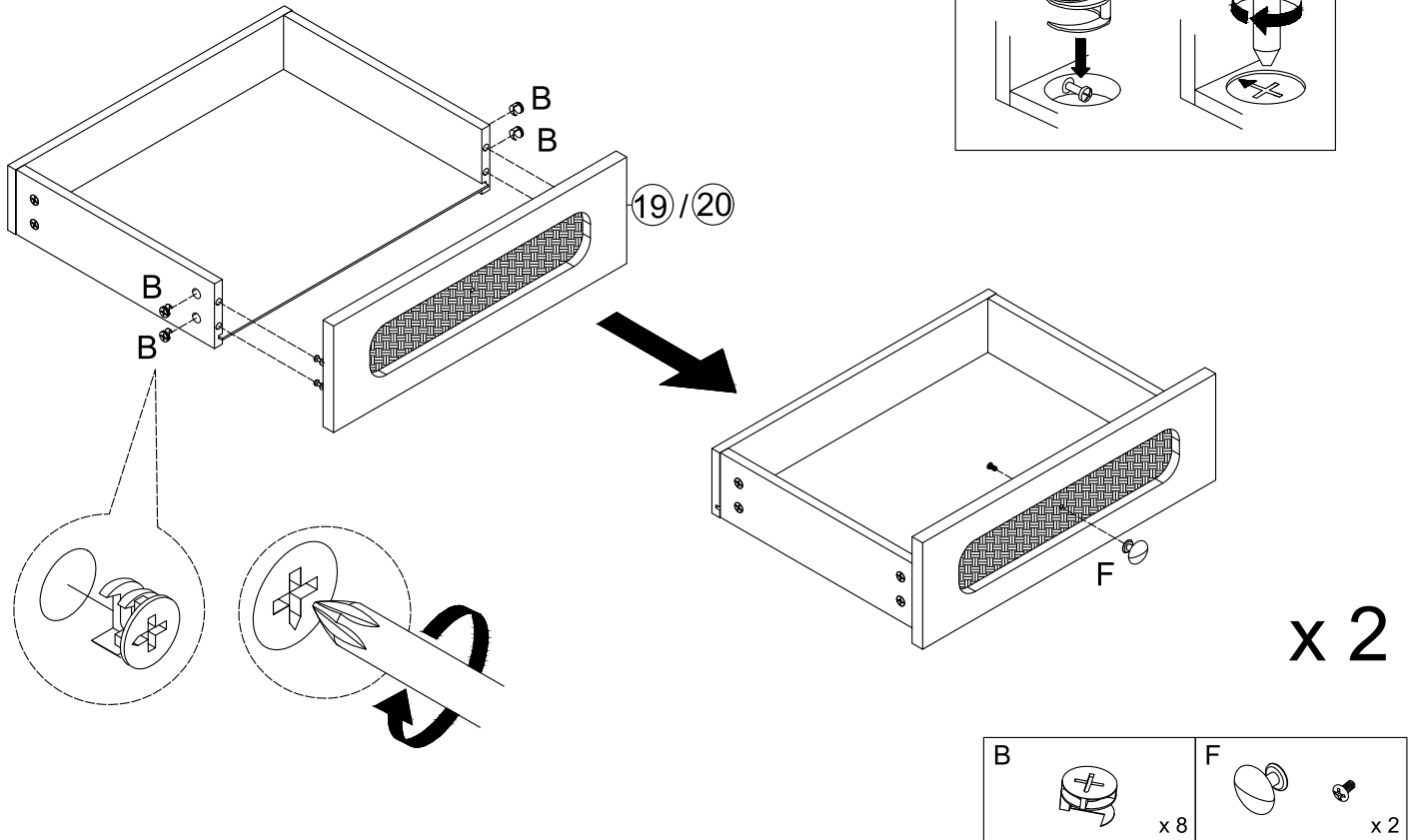


## Step 32

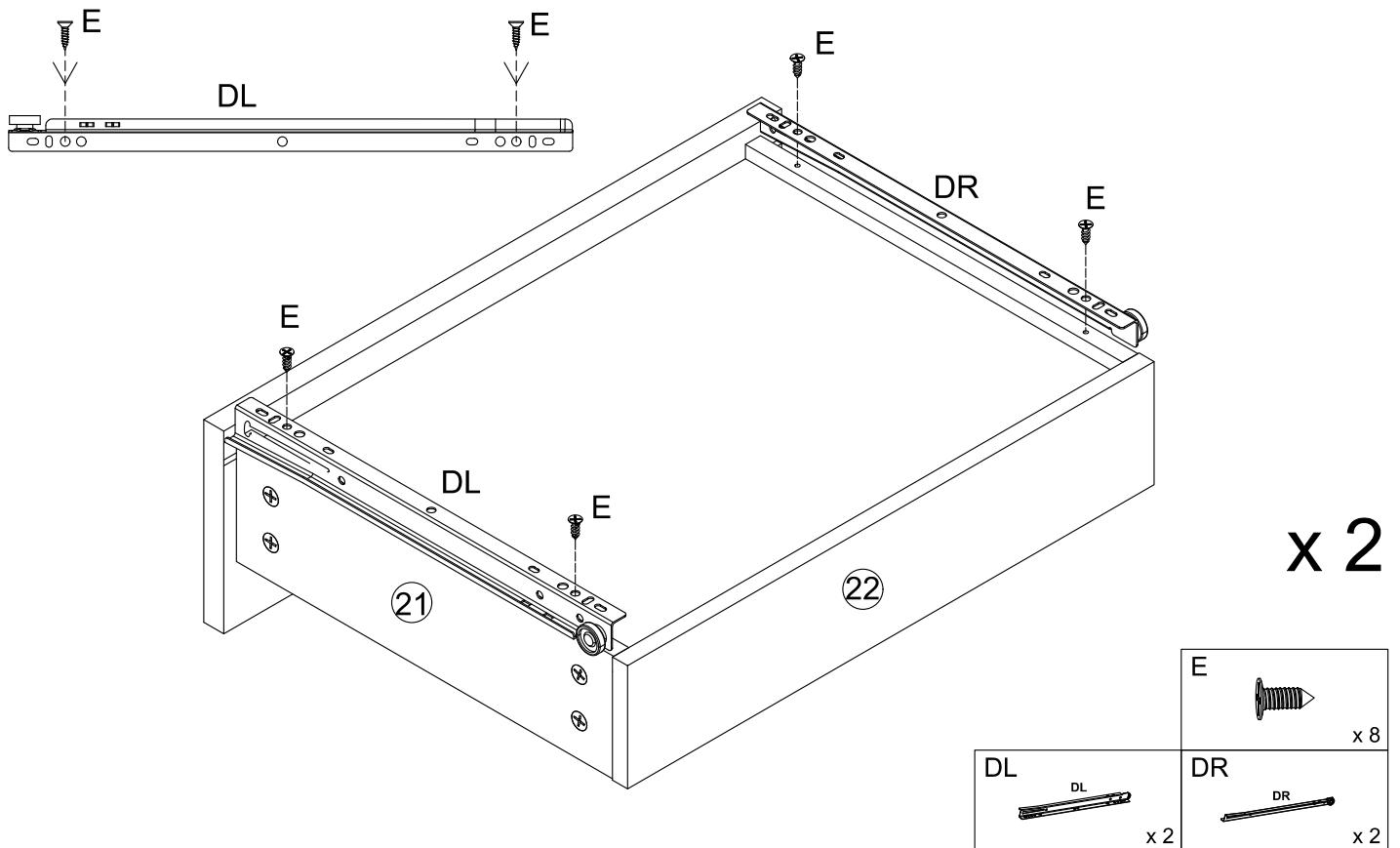


# Assembly Instructions

## Step 33

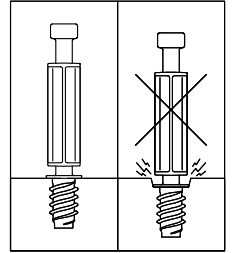
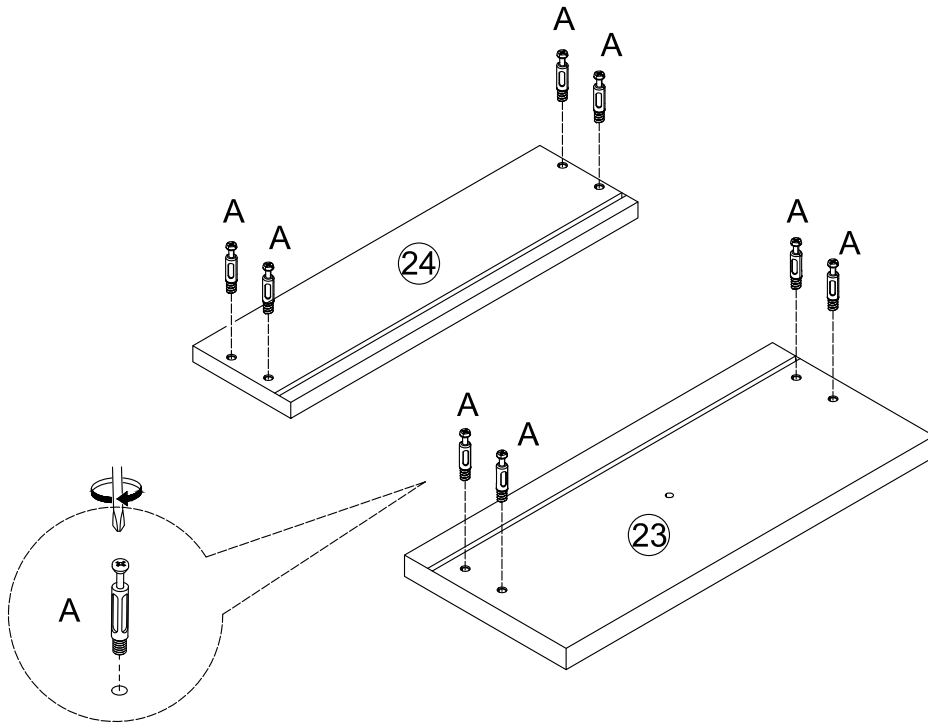


## Step 34

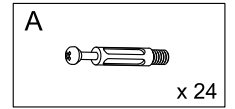


# Assembly Instructions

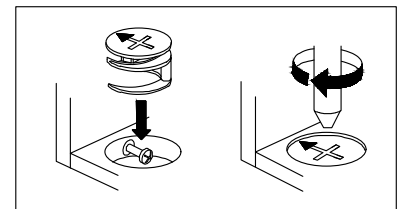
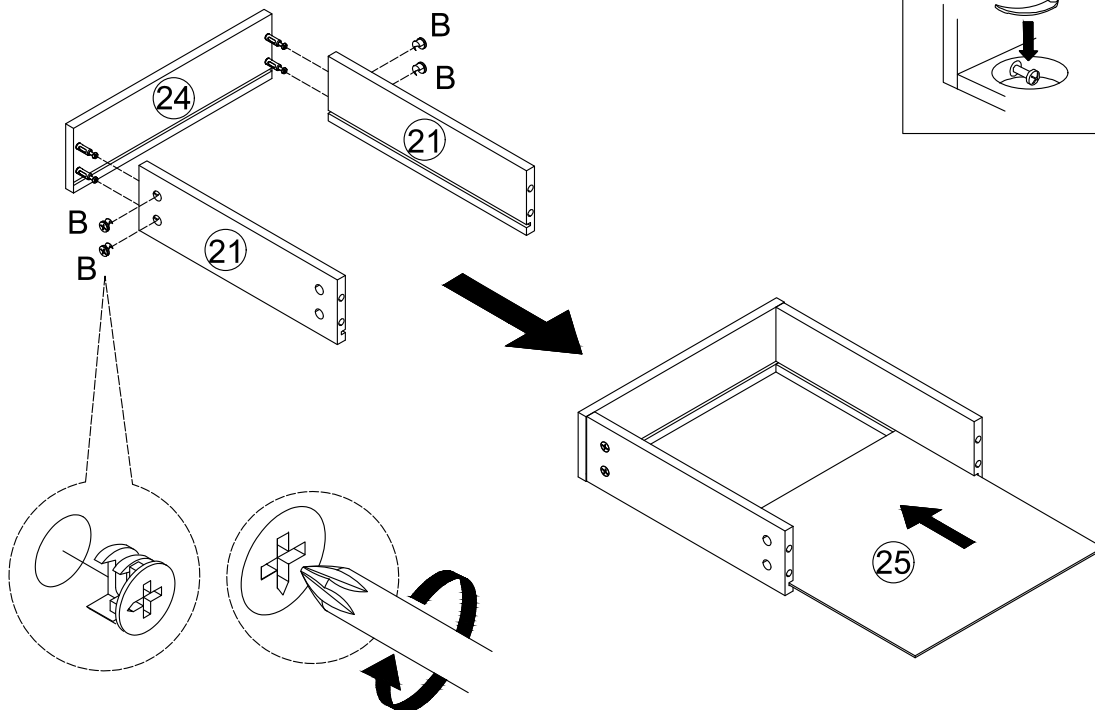
## Step 35



x 3



## Step 36

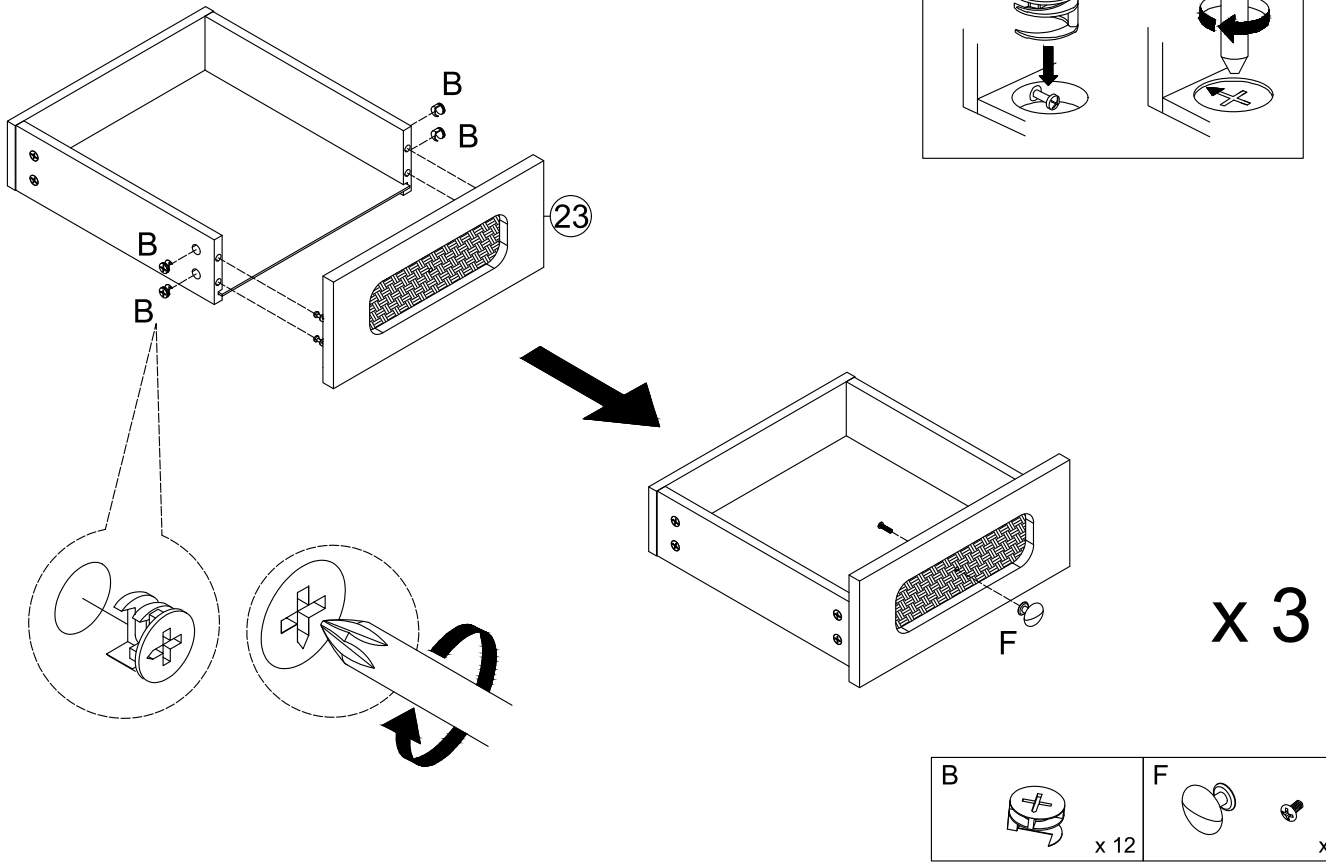


x 3

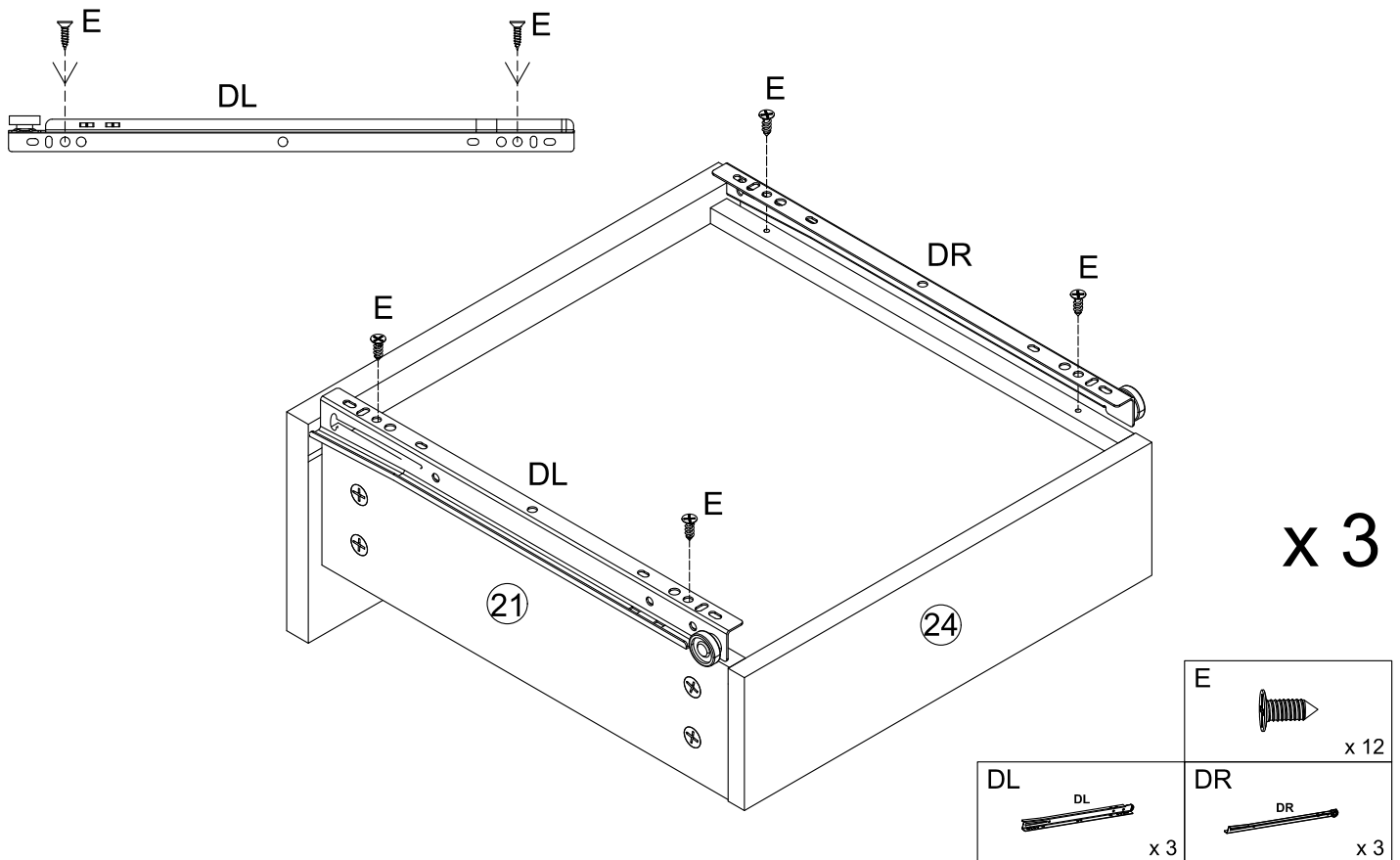


# Assembly Instructions

## Step 37

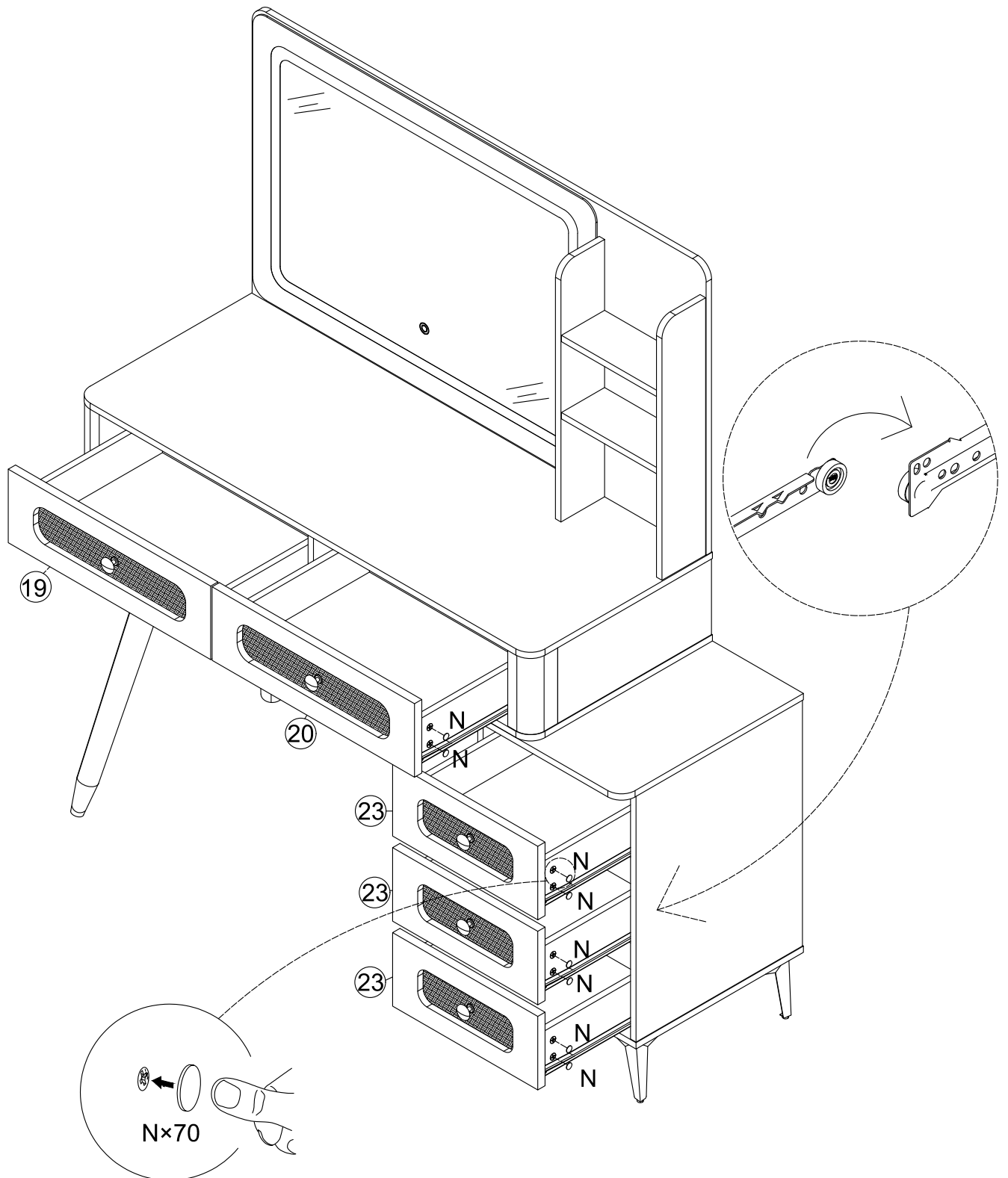


## Step 38

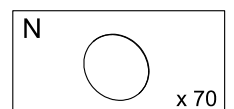


# Assembly Instructions

## Step 39

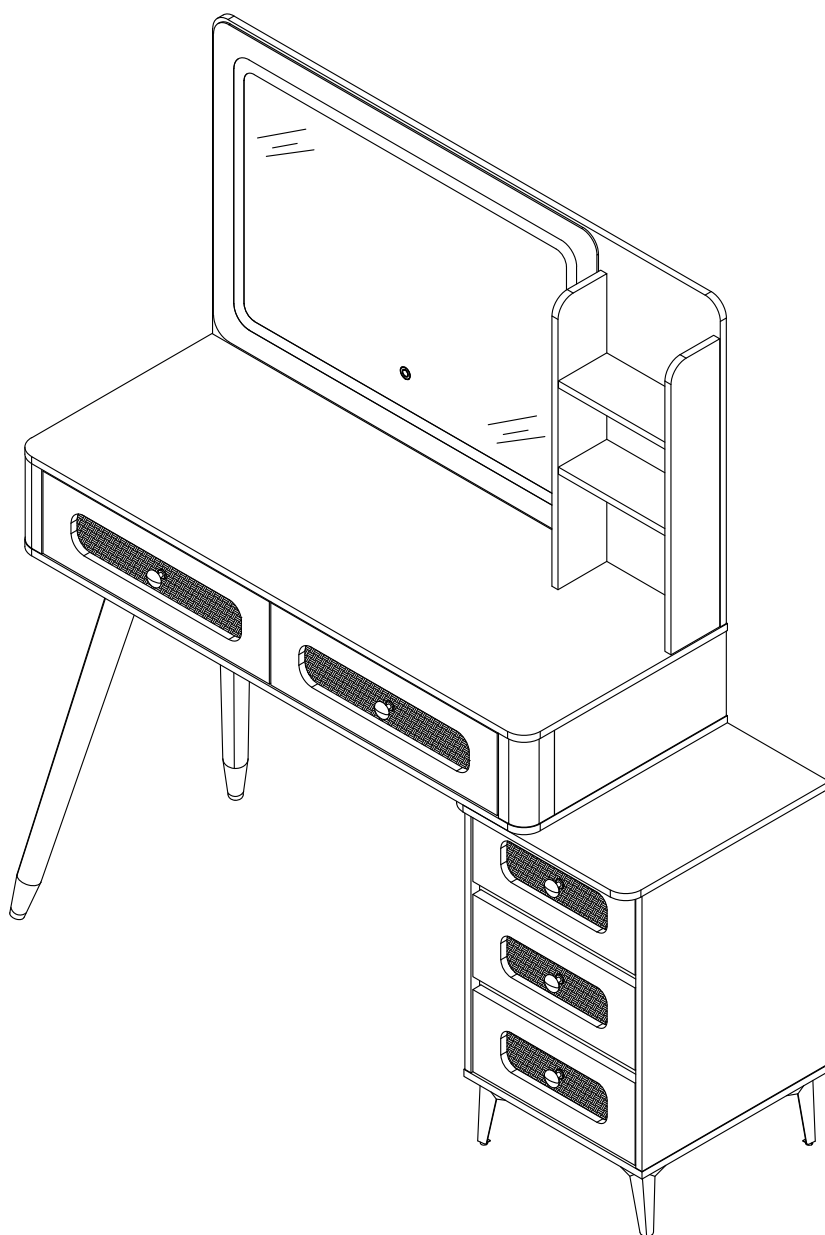


Using Cover-up Sticker N \*70 to cover the exposed part of Screws.



# Assembly Instructions

## Step 40



# Assembly Instructions



Product Name: Dressing Table

"This device complies with Part 15 of the FCC Rules.

Operation is subject to the following two conditions: (1) this device may not cause harmful interference, and (2) this device must accept any interference received, including interference that may cause undesired operation."