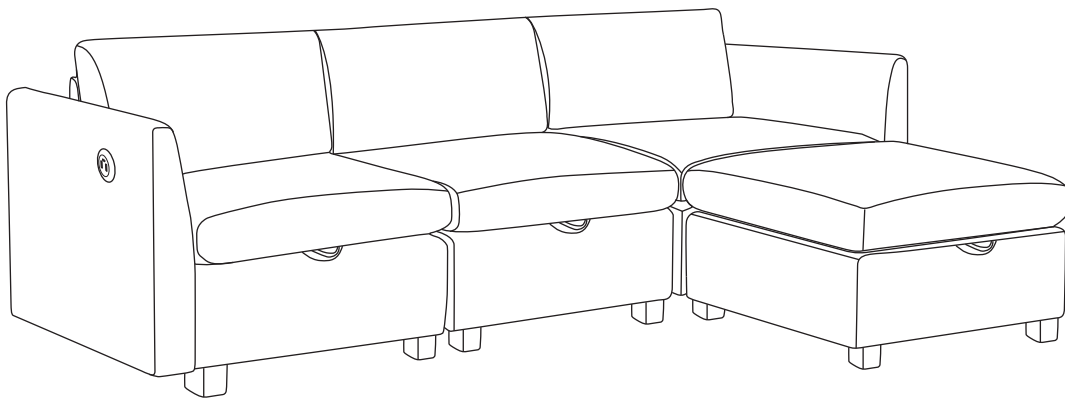


Assembly Instructions & User's Manual for Modular Sofa



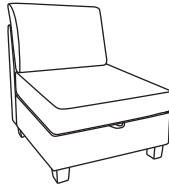
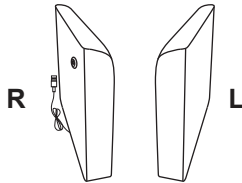

This line drawing is for reference only. The final actual product is subject to the set combination you purchased.

Delivery & Assembly Note

Your modular sofa set will arrive in multiple packages, which may be delivered at different times. Please wait until all packages have been delivered before starting assembly. We appreciate your patience and understanding.

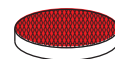
ATTENTION !

Our modular sofa mainly comes in three types of cartons, namely A, B and C. Depending on the combination of the sofa set you purchased, you will receive different quantities of cartons A, B and C.

Carton	Description	SKU#	
A	Armless Chair	MG-S001-A	
B	Left arm+ Right arm	MG-S001-B	
C	Ottoman	MG-S001-C	

Anti-friction pad

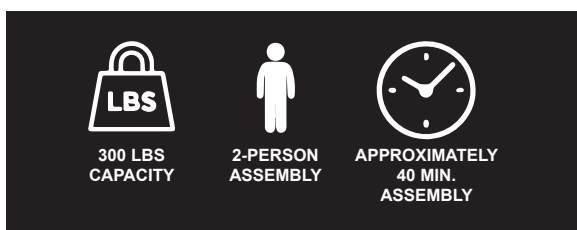
To prevent fabric damage from screw friction during backrest/armrest installation, fully cover screw head with anti-friction pad after installing screw K.



Anti-friction pad "N"

NOTICE

1. Please read these instructions fully before starting assembly. Check you have all the components and tools listed on pages. Keep the instructions for later reference. Parts of the assembly will be easier with 2 people. Seek professional assistance if necessary.
2. Please place all parts on a flat surface. Place a soft blanket or similar underneath to protect against scratches or stains. Avoid dragging or sliding components across the floor.
3. Regularly check all fittings and fastenings to ensure they are secure and to prevent accidents. If any parts are missing, broken, damaged, or worn, discontinue use of the product until repairs have been made using factory authorized parts.
4. Do not place furniture close to fire sources or high-temperature objects to avoid the risk of fire. Do not place furniture in damp environments to prevent material damage.
5. Clean furniture with a damp cloth, avoid using cleaning agents containing corrosive chemicals.
6. Do not allow children to climb on the furniture as this may result in tipping and serious personal injury. Assemble the furniture away from the reach of children.
7. The sponge and cloth may be squeezed and deformed during transportation, please don't worry, after you take it out of the bag, you can gently pat the sponge to speed up the recovery of elasticity, or leave it for a few days, it can recover to its original elasticity.
8. Fabrics can fade or change color in direct sunlight. Minimize direct sunlight exposure to extend the life of your furniture.



Questions or Comments?

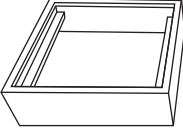
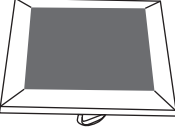
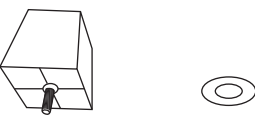
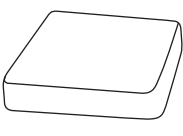
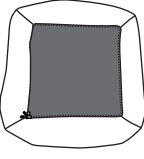

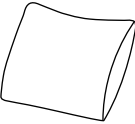

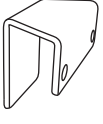






For product support or feedback, please contact us at:

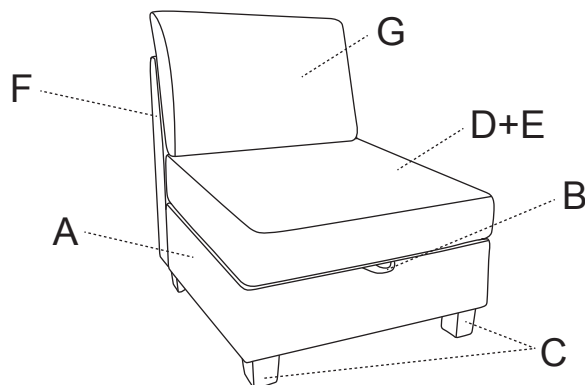
Email: msgfeedback@outlook.com

INDEX

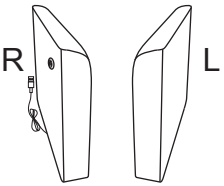








Compnents list-----	1-3
Cushion decompress & Cover fitting-----	4
Assembly of Armless Chair-----	5-8
Assembly of Arm Chair-----	9-13
Assembly of Ottoman-----	14-16
How to connect units as a set-----	17-21

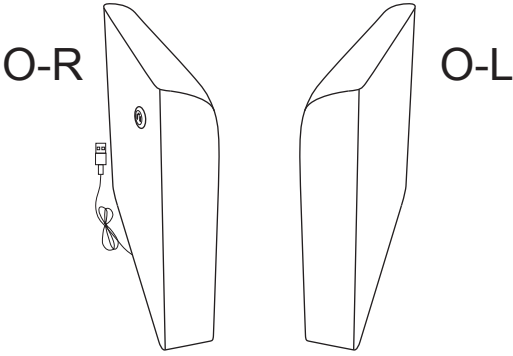
Components of Carton A

<p>A x1</p>  <p>Base</p>	<p>B x1</p>  <p>Seat Board</p>	<p>C x4</p>  <p>C1*4 C2*4</p>
<p>D x1</p>  <p>Seat Cushion</p>	<p>E x1</p>  <p>Seat Cushion Cover</p>	<p>F x1</p>  <p>Back Frame</p>
<p>G x1</p>  <p>Back Cushion</p>	<p>H x2</p>  <p>U-Clip</p>	<p>I x2</p>  <p>Bracket</p>
<p>J x2</p>  <p>Connector</p>	<p>K x4</p>  <p>M6X35 mm</p>	<p>L x4</p>  <p>M6X25 mm</p>
<p>M x1</p> 	<p>N x8</p> <div style="border: 1px dashed black; padding: 5px; text-align: center;">  <p>It must be placed over the screw head after the screw K is installed.</p> </div>  <p>Anti-friction Pad</p>	

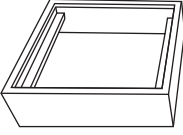
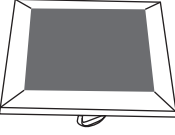
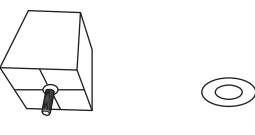
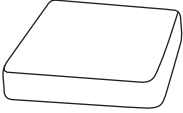
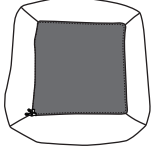



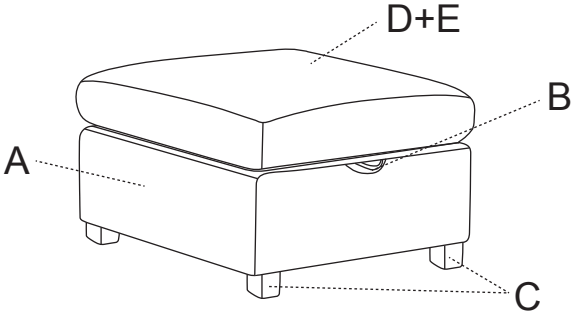
Components of Carton B

 <p>O x1</p>	 <p>I x4</p> <p>Bracket</p>	 <p>J x2</p> <p>Connector</p>
 <p>K x8</p> <p>M6X35 mm</p>	 <p>L x4</p> <p>M6X25 mm</p>	 <p>M x1</p>
<div style="border: 1px dashed black; padding: 5px; margin-bottom: 10px;">  <p>It must be placed over the screw head after the screw K is installed.</p> </div>  <p>N x8</p> <p>Anti-friction Pad</p>	 <p>P x1</p> <p>Plug</p>	



Components of Carton C

<p>A x1</p>  <p>Base</p>	<p>B x1</p>  <p>Seat Board</p>	<p>C x4</p>  <p>C1*4 C2*4</p>
<p>D x1</p>  <p>Seat Cushion</p>	<p>E x1</p>  <p>Seat Cushion Cover</p>	<p>H x3</p>  <p>U-Clip</p>



Cushion decompress & Cover fitting

Compressed cushion is inside Base A

1. Unpack the Seat Cushion:

Open the packaging and remove the vacuum-compressed seat cushion. It will start to expand quickly.

2. Let It Fully Expand:

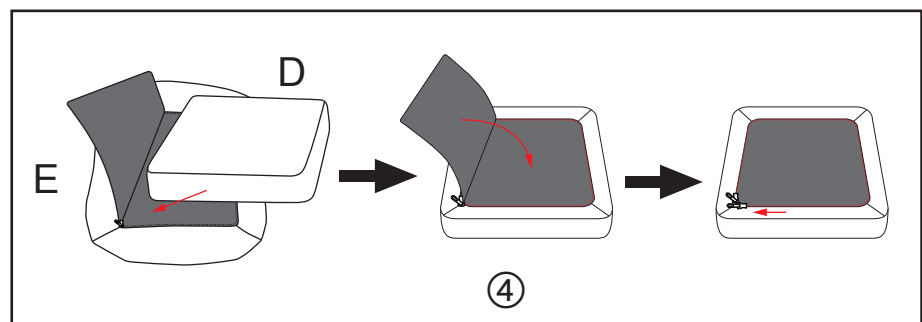
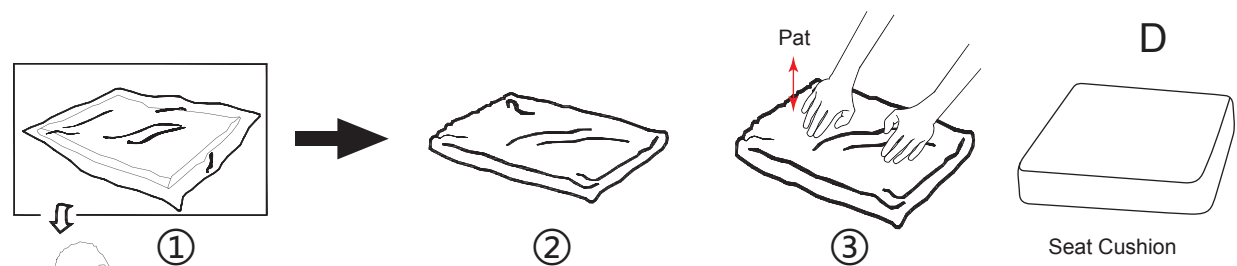
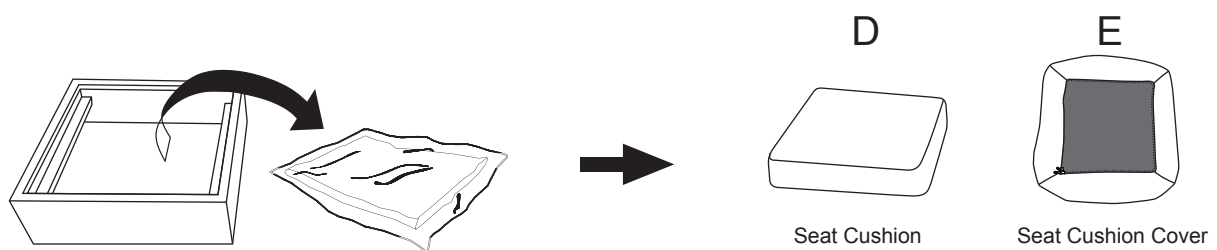
Allow the cushion to fully regain its original shape. This usually takes about 2 hours. Make sure it is completely expanded before proceeding.

3. Fluff the Cushion:

Gently pat the cushion all around to make it plump and even.

4. Attach the cover to the Cushion:

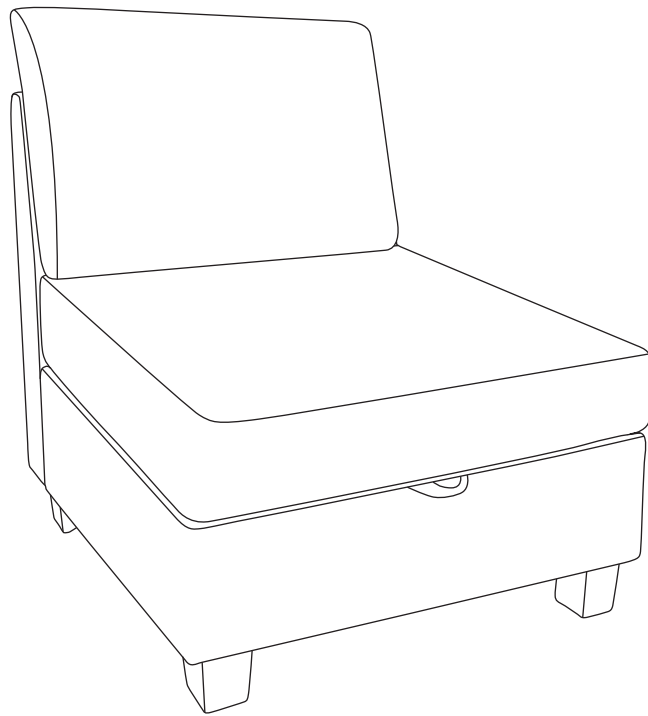
Once the cushion has fully expanded, insert it into the cover, ensuring that all four corners are pushed down to the bottom and fit snugly, then zip up the cover.

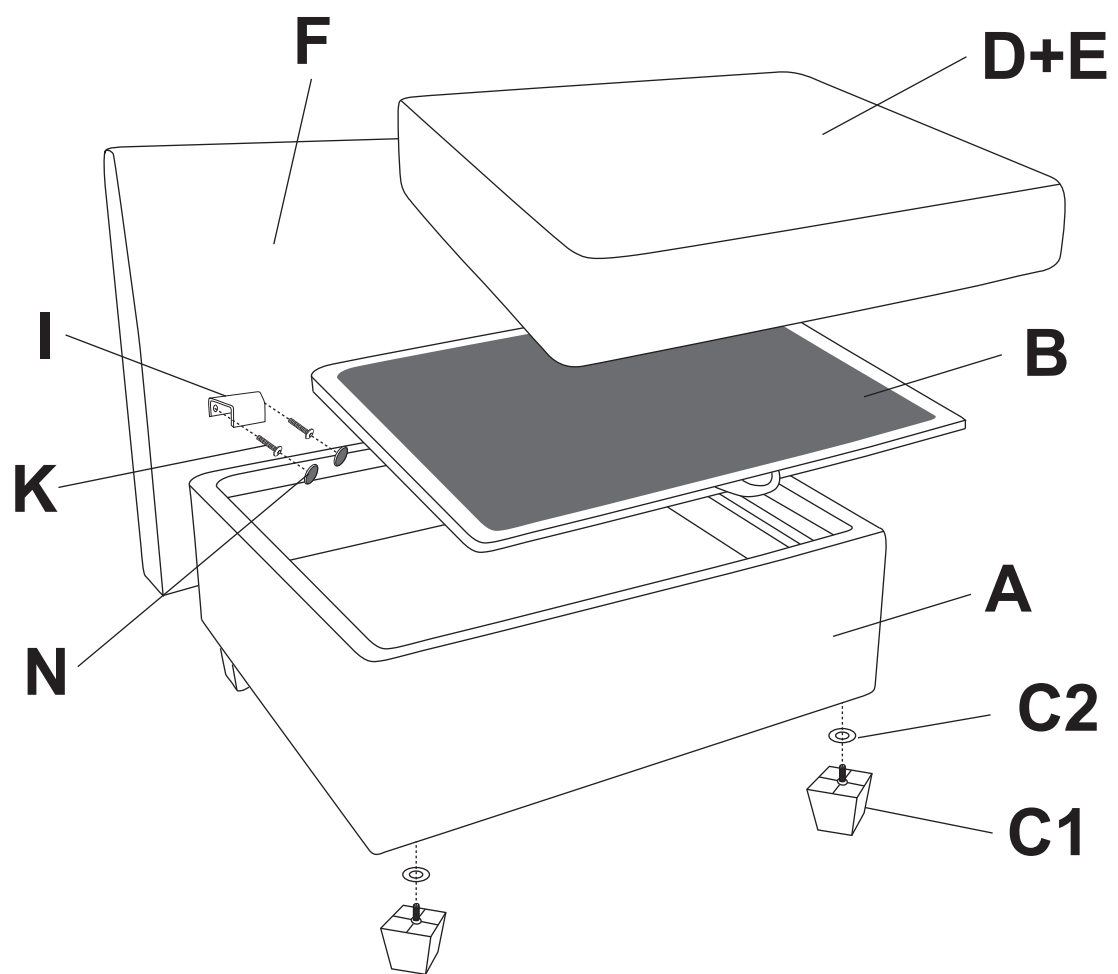


When using a knife or scissors to open the packaging, exercise extreme caution to avoid damaging the product.

Assembly of Armless Chair

Carton A





Assembly of Armless Chair

The Armless chair is packed in box "A"

A

C1

C2

Screw the foot (C1) with washer(C2) into bottom of the Base(A)

F

K

M

I

K

M

F

N

⚠

Attach the anti-friction pad (N) to the screw head and ensure it is fully covered.

I

I

F

A

A

F

J

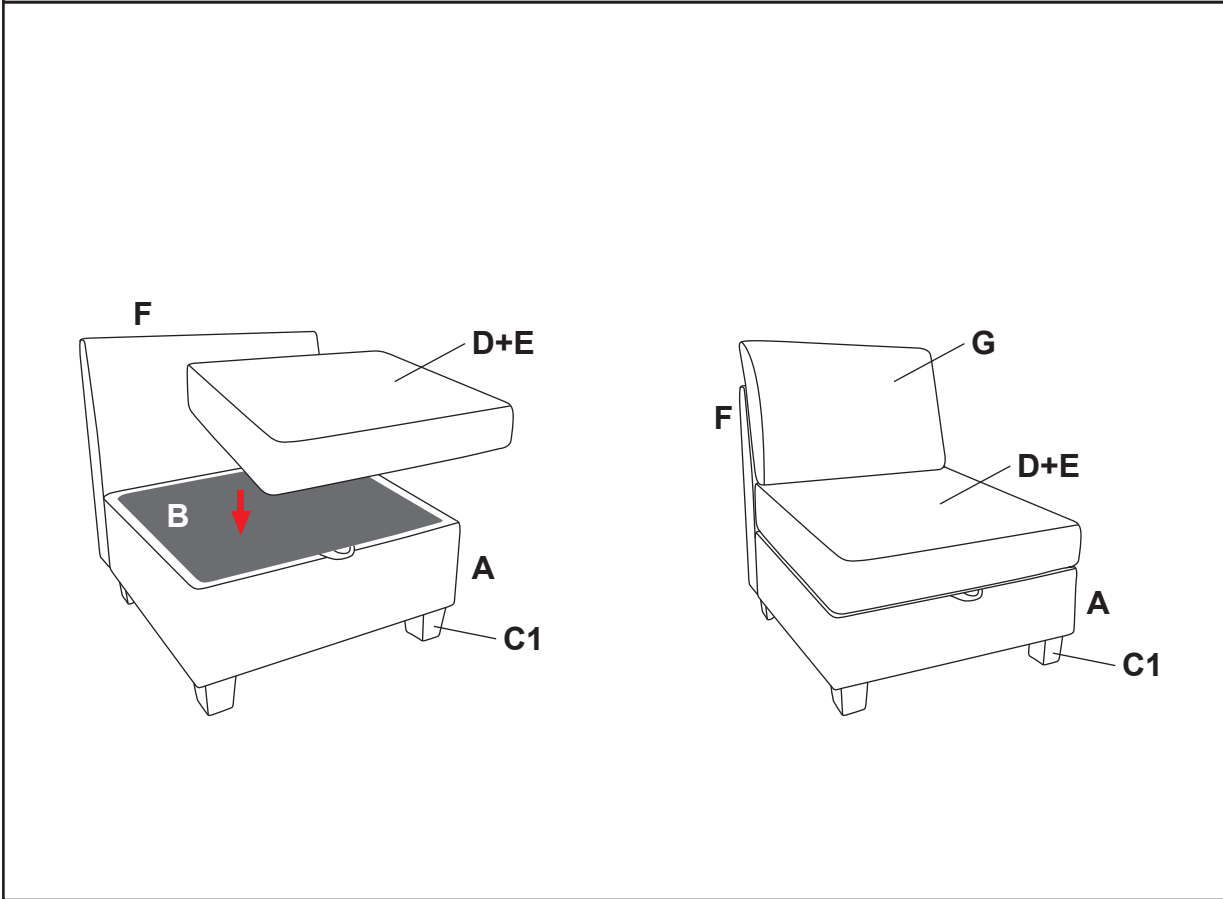
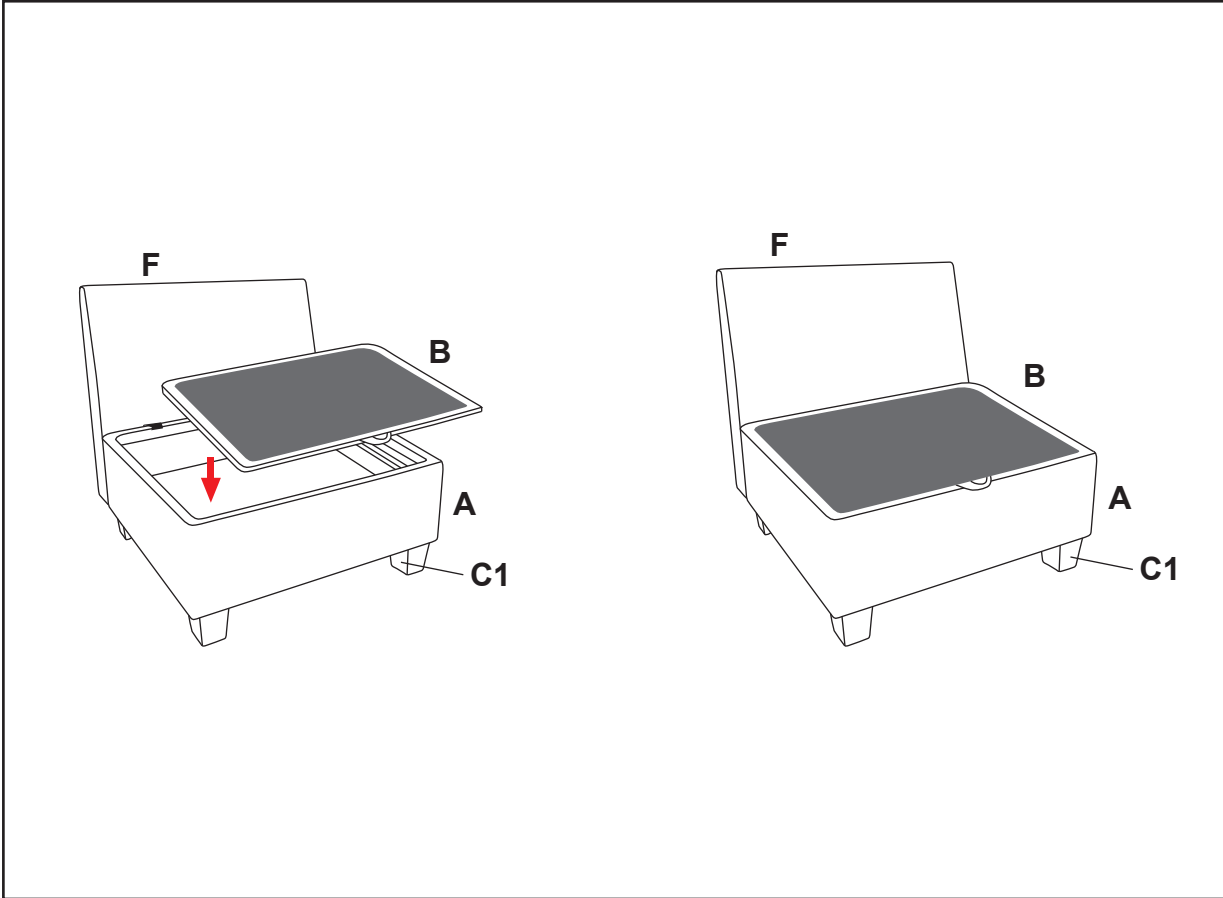
L

M

Insert the backrest (F) with the bracket (I) into either side of the base(A).

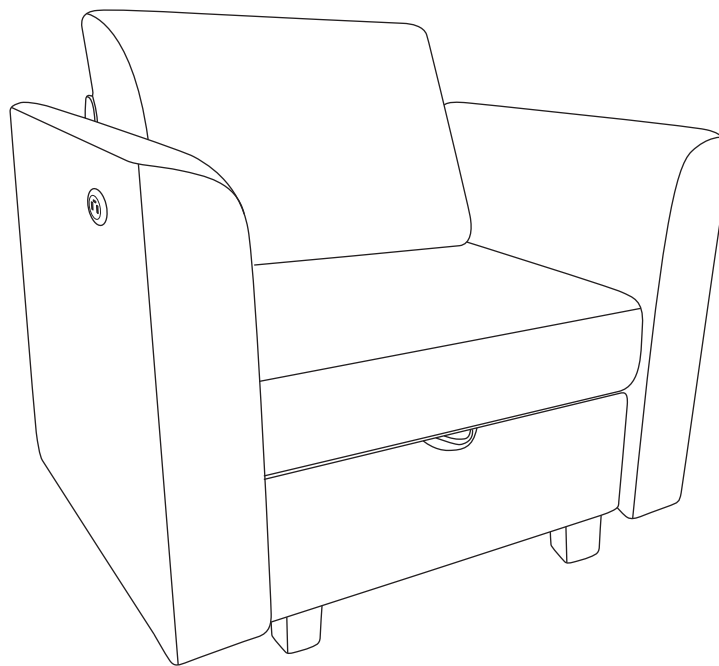
Join the Base (A) and the backrest (F) at the bottom and fasten them firmly with the connecting piece (J).

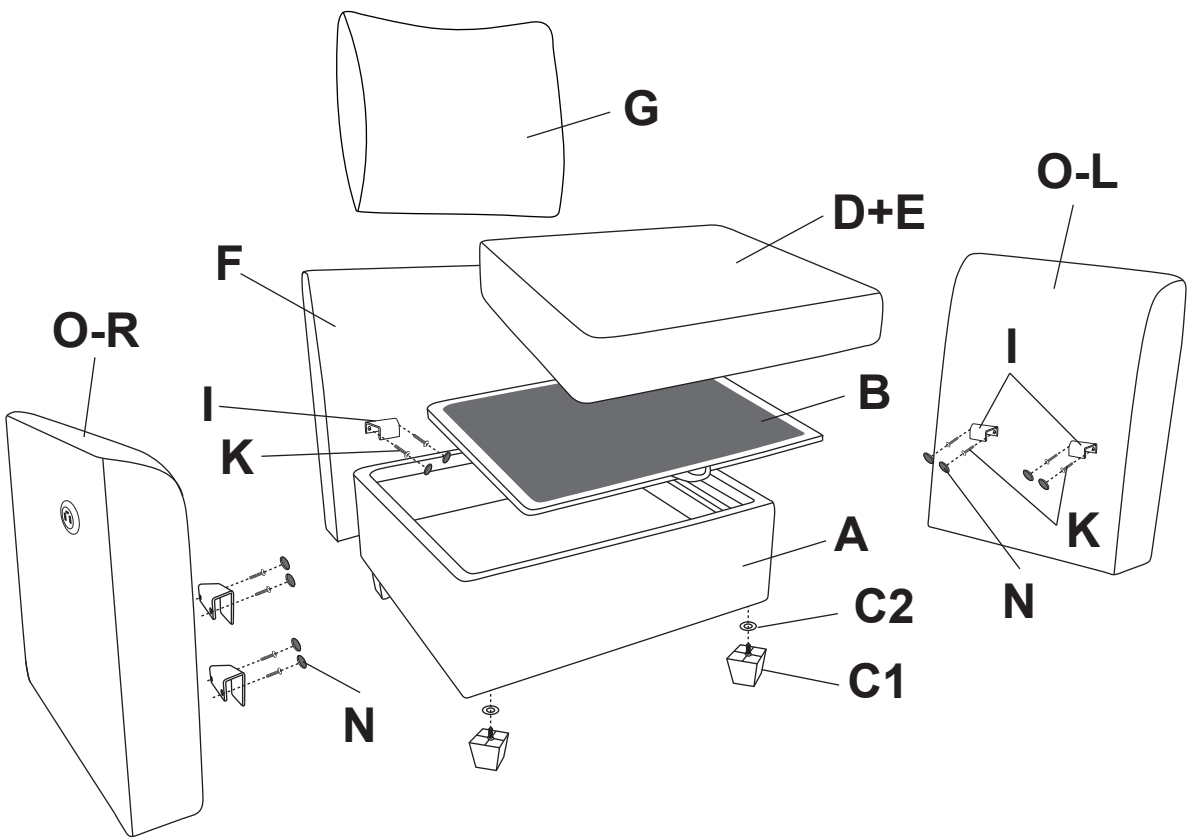
Assembly of Armless Chair



Assembly of Arm Chair

Carton A+Carton B





Assembly of Arm Chair

Find Carton A to complete step1

A

Screw the foot (C1) with washer(C2) into bottom of the Base(A)

F

Attach the anti-friction pad (N) to the screw head and ensure it is fully covered.

The diagram illustrates the first two steps of assembly. On the left, a rectangular base (A) is shown with four feet (C1) being attached to its bottom surface using washers (C2). On the right, the backrest (F) is shown being attached to the base. Brackets (I) and screws (K) are used to secure the backrest to the base. A red box highlights the attachment of anti-friction pads (N) to the screw heads, with a warning triangle indicating that the pads must be fully covered.

A

Insert the backrest (F) with the bracket (I) into either side of the base(A).

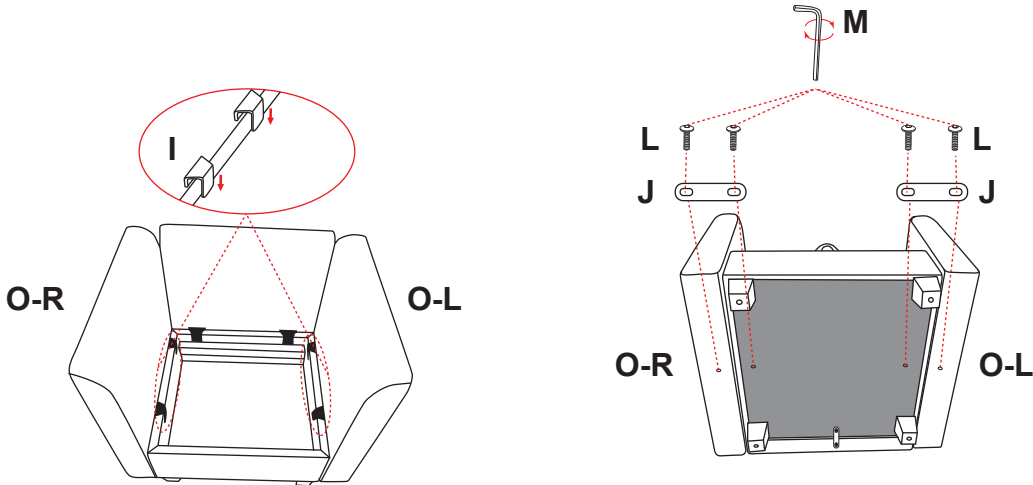
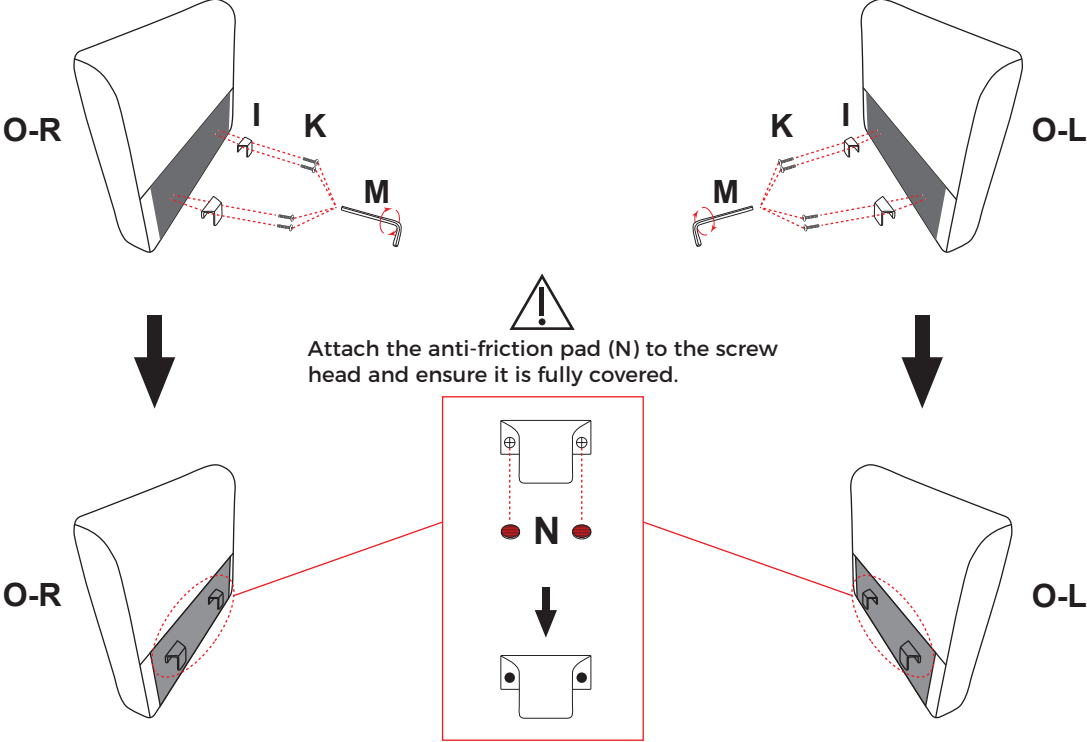
F

Join the Base (A) and the backrest (F) at the bottom and fasten them firmly with the connecting piece (J).

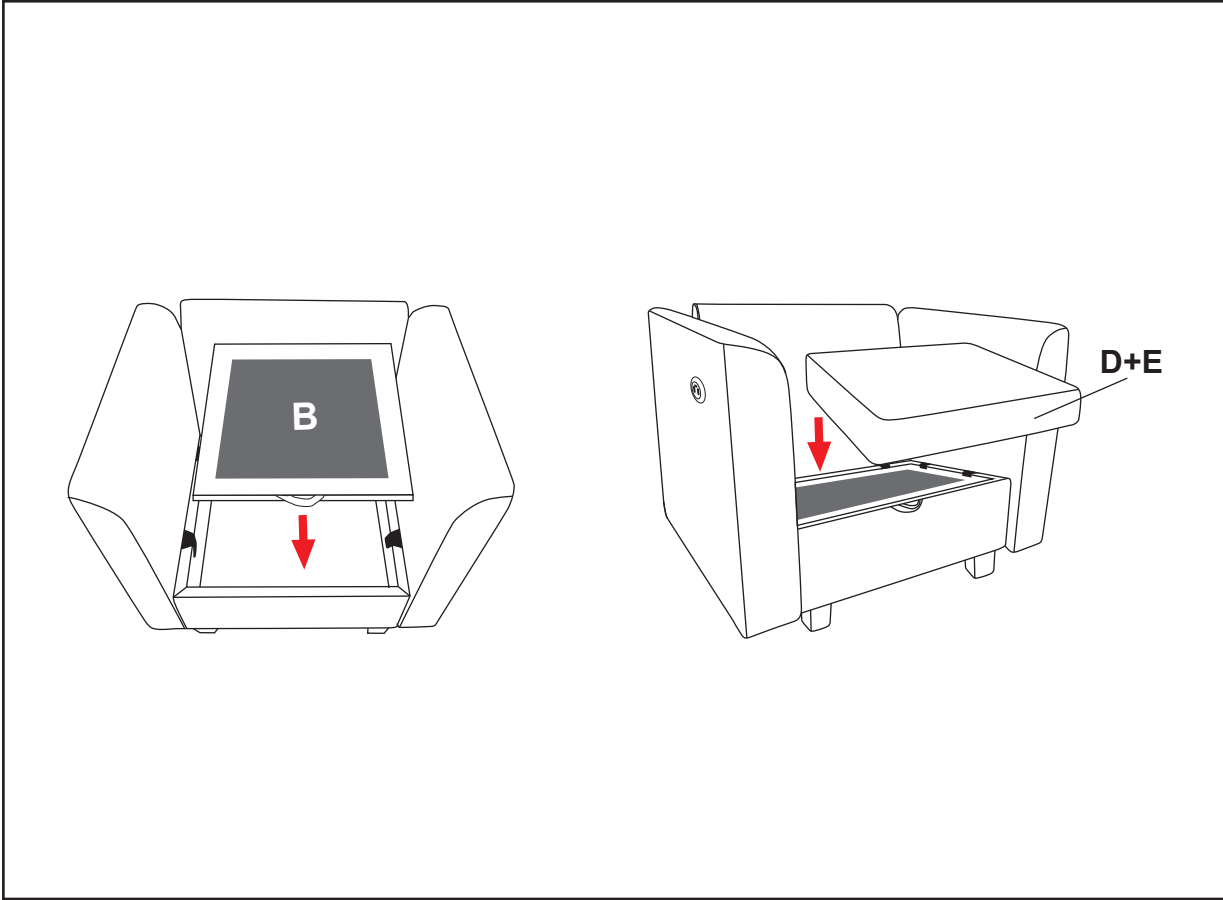
The diagram illustrates the final two steps of assembly. On the left, the backrest (F) is shown being inserted into the base (A) through brackets (I). On the right, the backrest (F) is shown being joined to the base (A) at the bottom using connecting pieces (J) and screws (L, M).

Assembly of Arm Chair

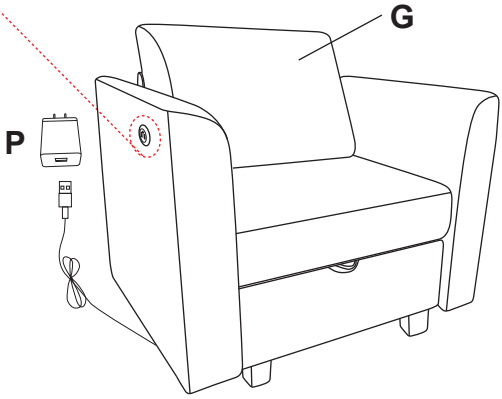
Find the left and right armrest in box "B"



Assembly of Arm Chair

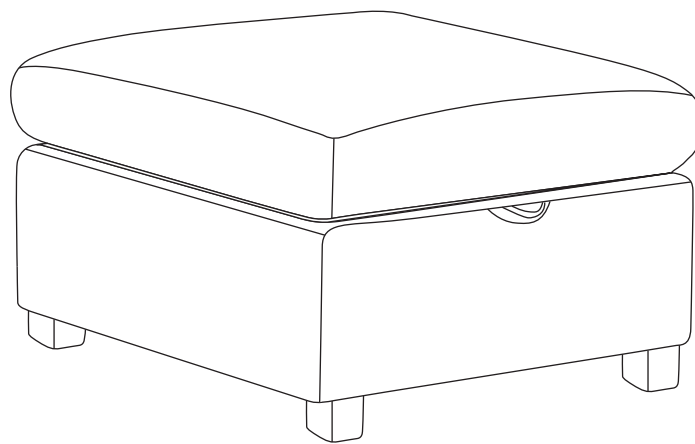


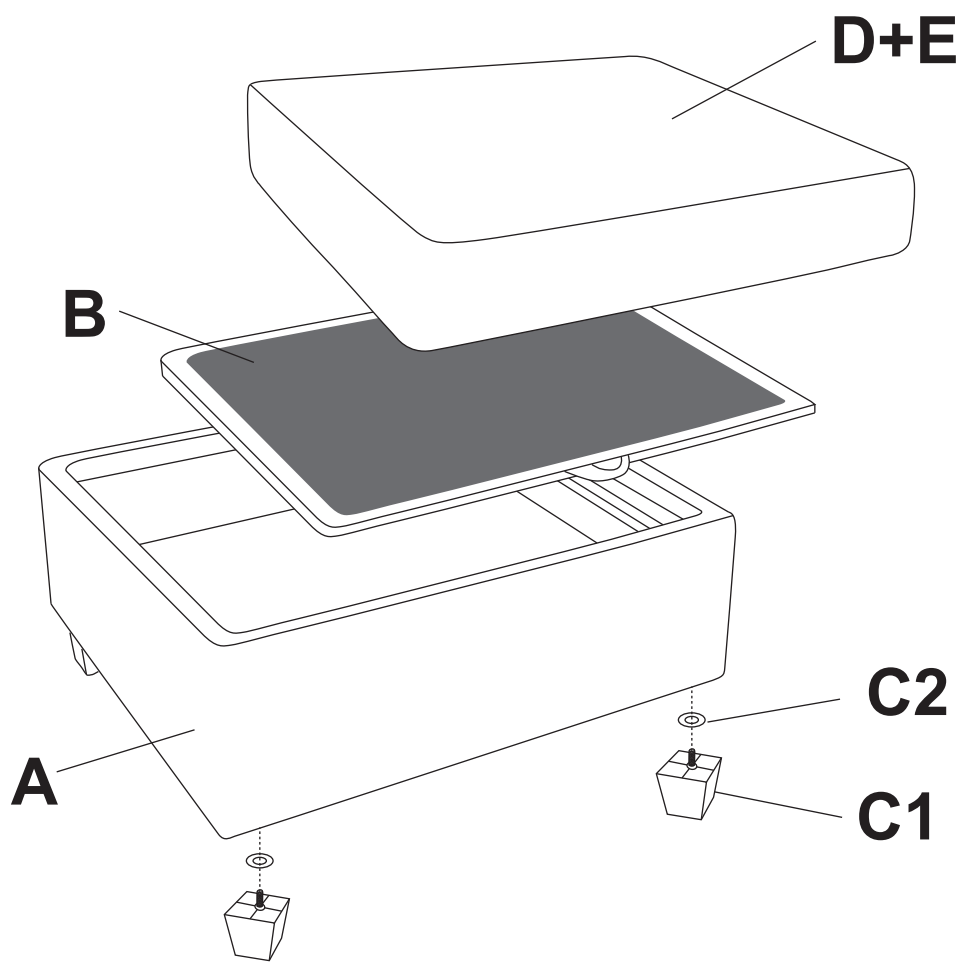
It is equipped with a USB outlet (5V/2A) and a Type-C outlet (5V/2A) to conveniently charge your devices, such as smartphones, iPads, and headphones.



Assembly of Ottoman

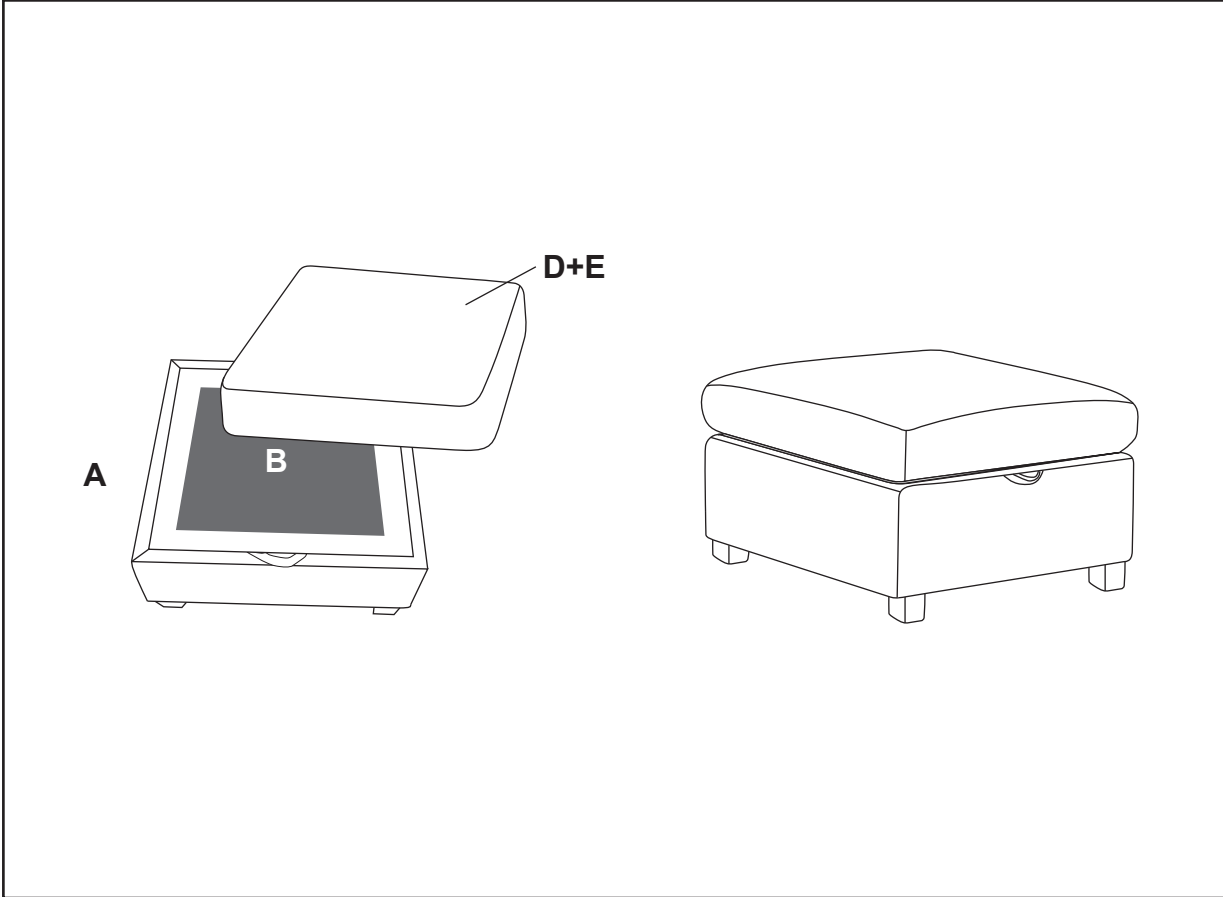
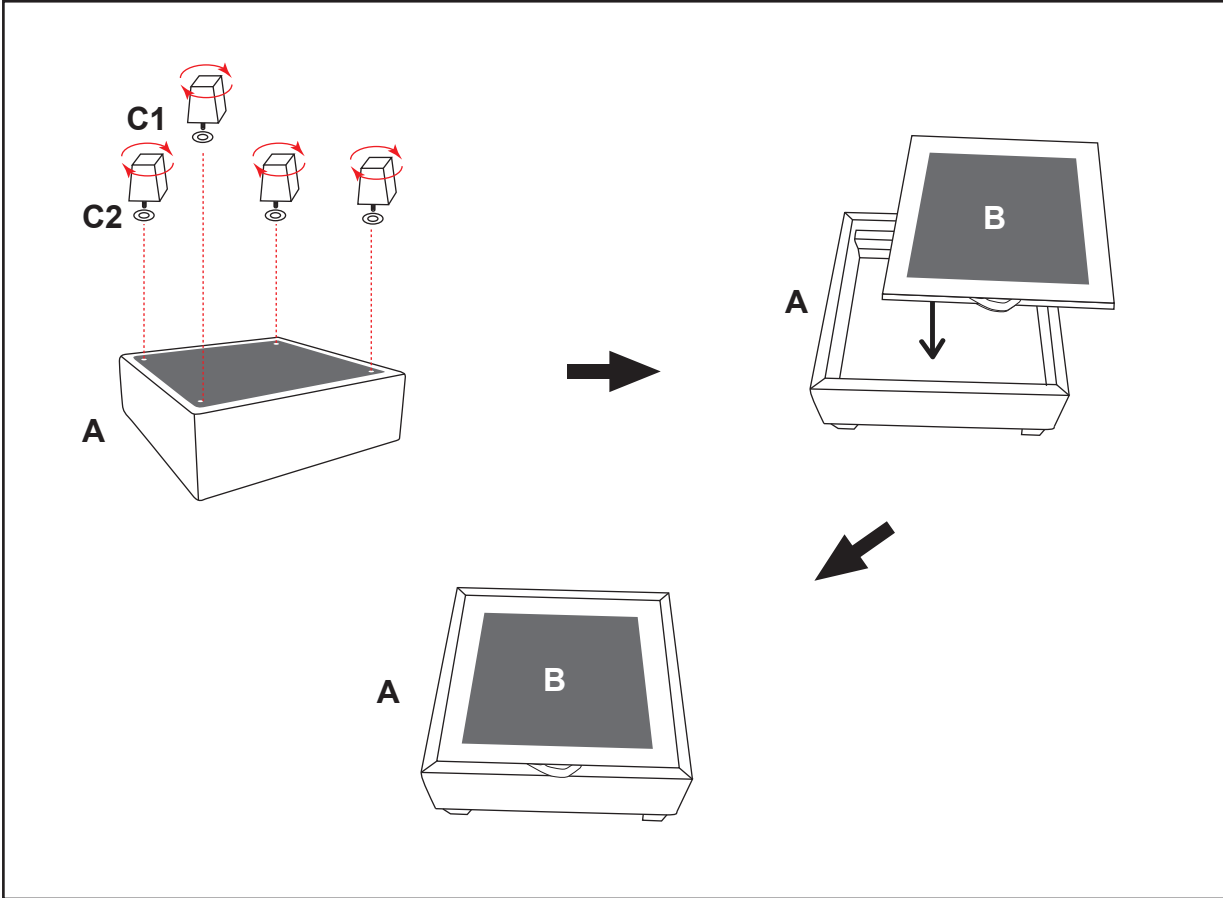
Carton C





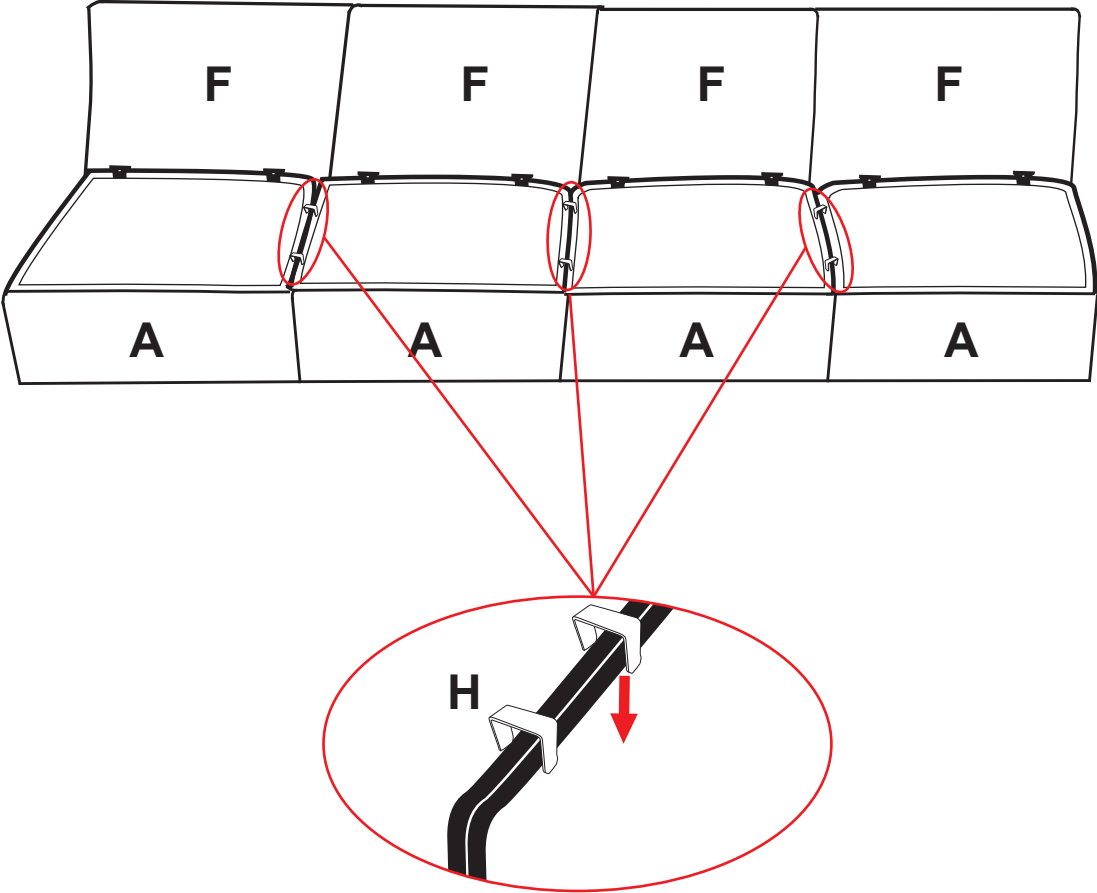
Assembly of Ottoman

Find carton C to complete the assembly



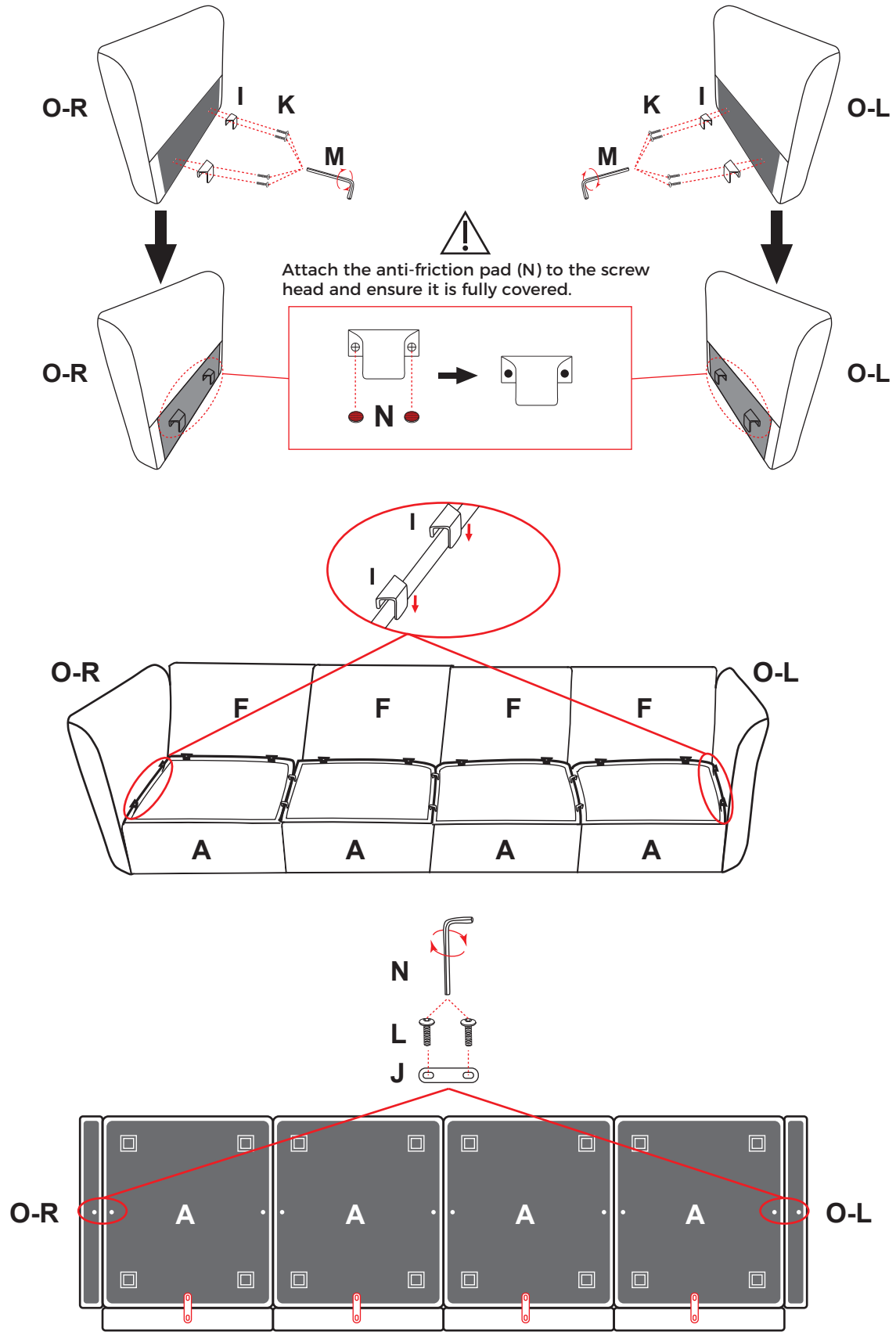
How to connect each unit as a set

Use the U - Clip (H) to secure the seats together.



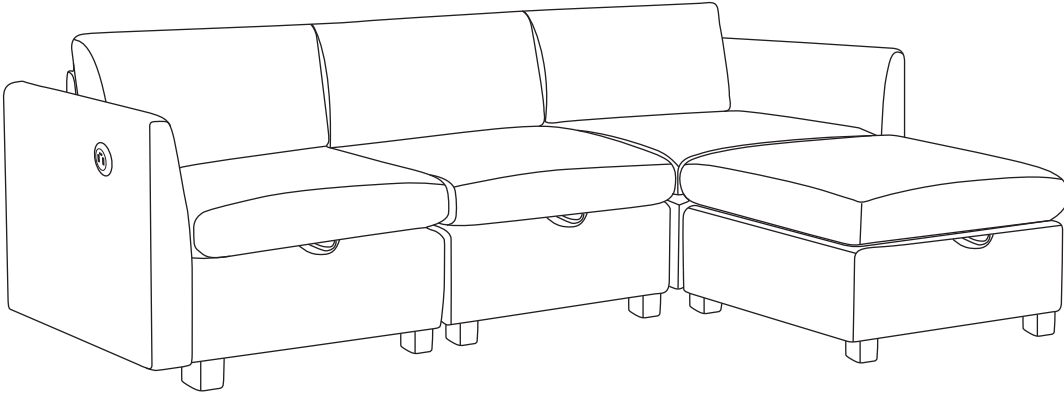
How to connect each unit as a set

Find the left and right armrest in box "B"

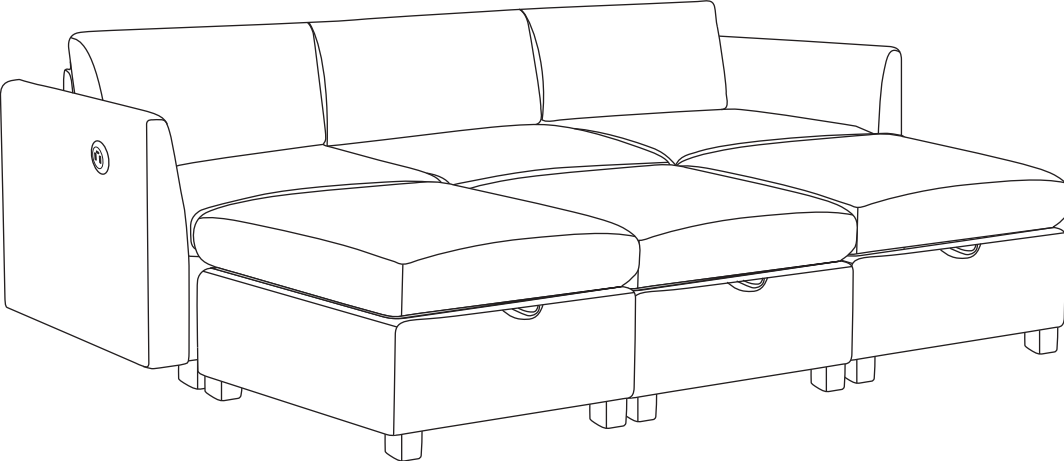


Use connector (J) to secure the armrest O-L and O-R to the base(A)

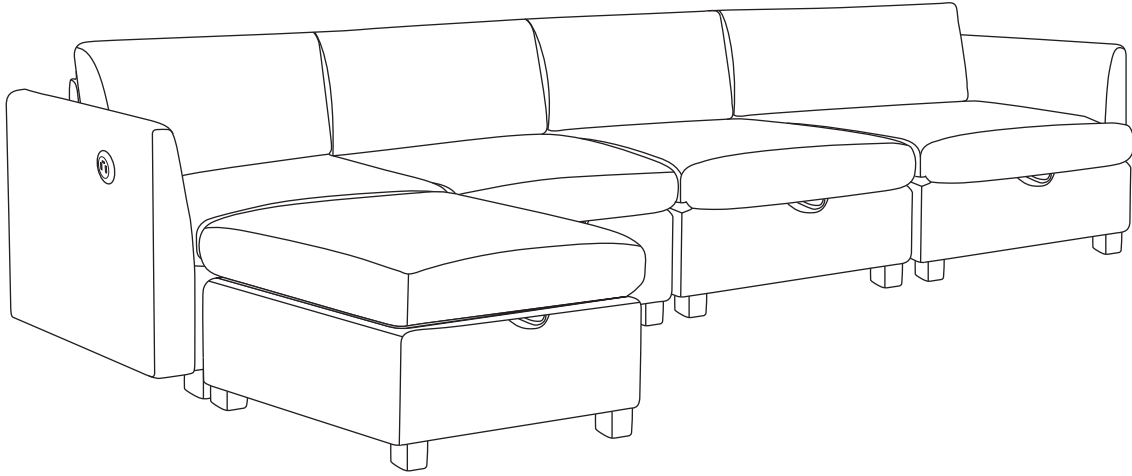
Congratulation, Now it's time to live, relax, and enjoy your Lounge Modular sofa set with the following combination below:



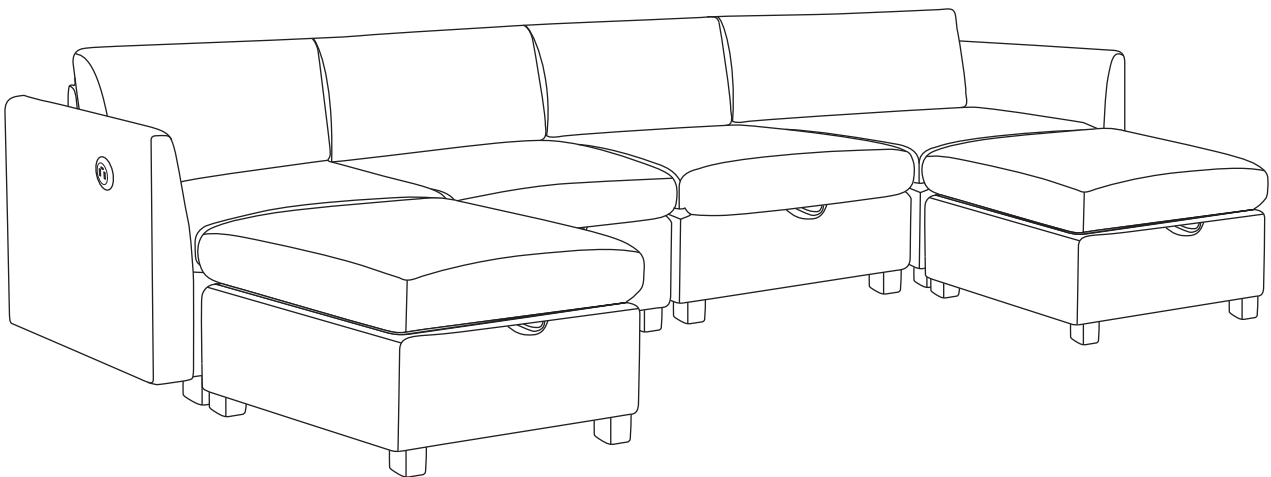
3A+1B+1C



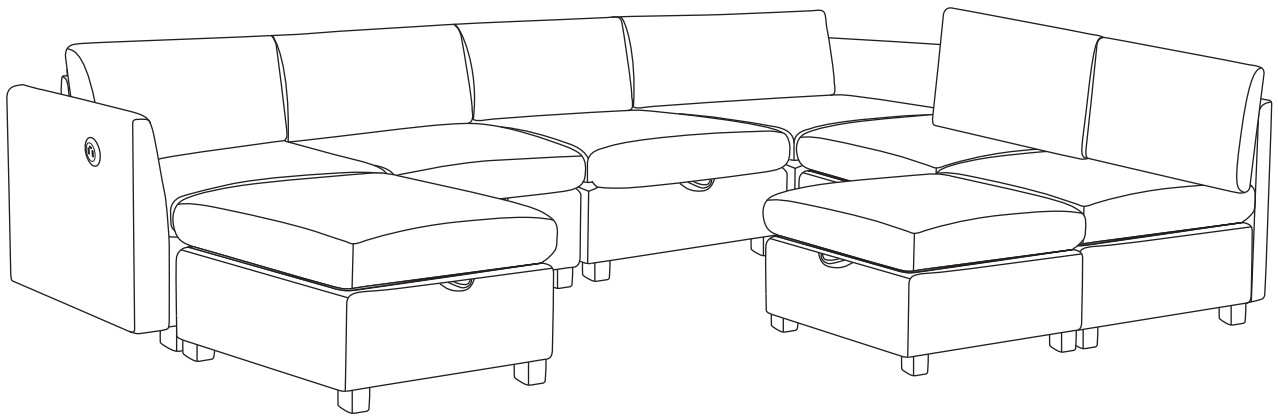
3A+1B+3C



4A+1B+2C



4A+1B+1C



6A+1B+2C

More combination methods are waiting for you to unlock.

If you encounter any difficulties during assembly, our friendly Customer Care team is always available to assist you.

Email us: [**msgfeedback@outlook.com**](mailto:msgfeedback@outlook.com)