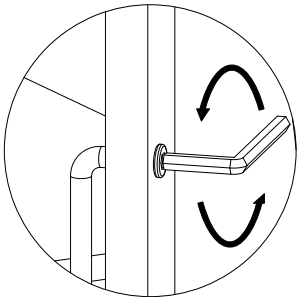


# ASSEMBLY INSTRUCTION & PARTS IDENTIFICATION 4 DOOR CONSOLE EBONY OAK

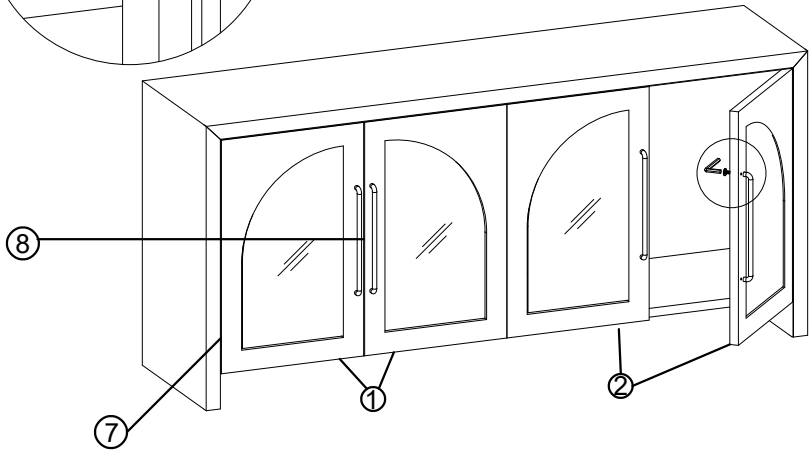
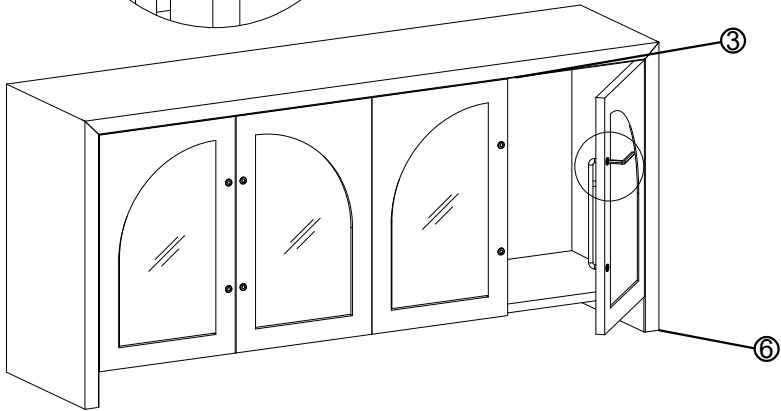
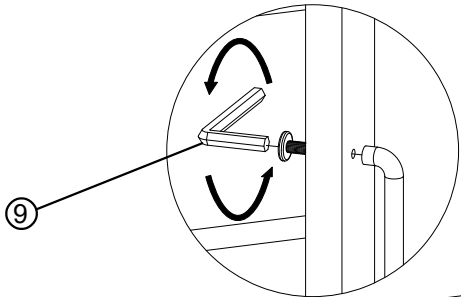
Thank you for purchasing this quality product. Be sure to check all packing material carefully for small parts that may have come loose inside the carton during shipment.

Part Key							
No	Code	Description	Qty	No	Code	Description	Qty
1		Left Facing Door	2 Pc	7		Hinge	8 Pcs
2		Right Facing Door	2 Pc	8		Door Pull with Bolts	8 Pcs
3		Door Catch	4 Pc			Bolt size 30x6 MM	
4		Shelf Pin 20mm	8 Pc	9		Allen Key 4mm	1 Pc
5		Shelf	2 Pcs	10		Anti Tip Kit	2 Sets
6		Leveler 20x8mm	4 Pcs				

SET UP REQUIRES 2 PEOPLE

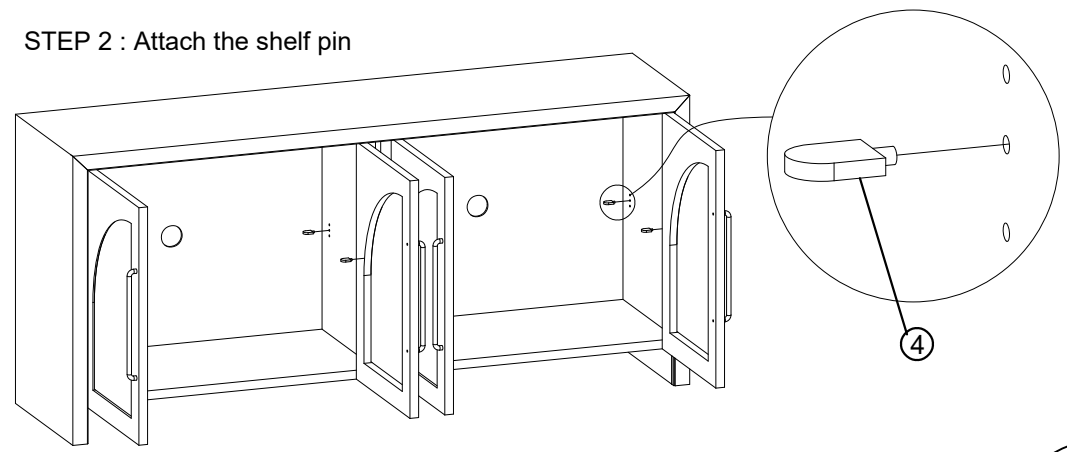


**STEP 1 : Attach the Door Pulls to the door using the Allen Key provided. See diagram**

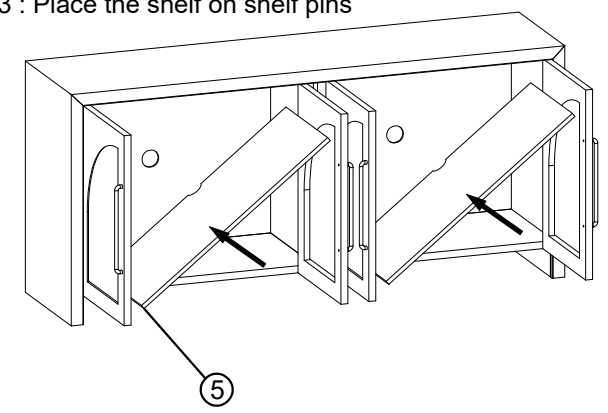


# ASSEMBLY INSTRUCTION & PARTS IDENTIFICATION 4 DOOR CONSOLE EBONY OAK

STEP 2 : Attach the shelf pin



STEP 3 : Place the shelf on shelf pins



**STEP 4:**  
PLEASE NOTE : To help prevent the possibility of tip-over, install the tip-over restraint provided.

