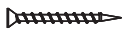

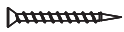


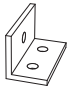
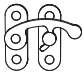





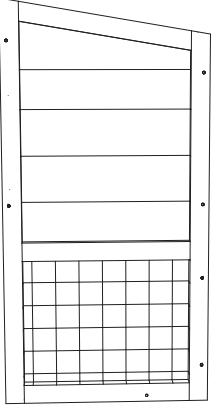
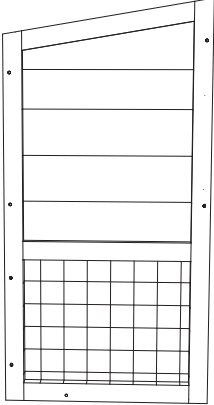

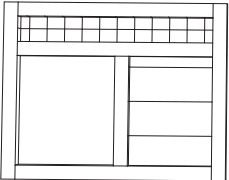
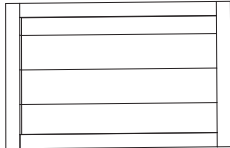
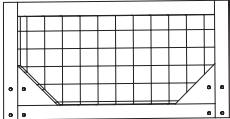
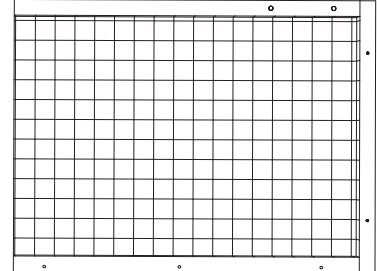
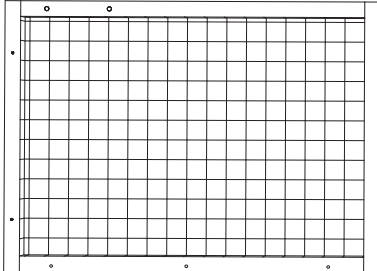
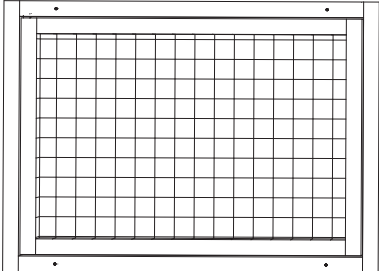
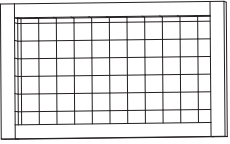
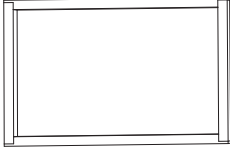
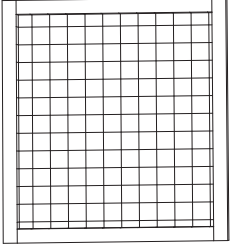
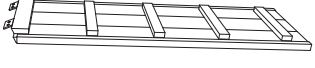
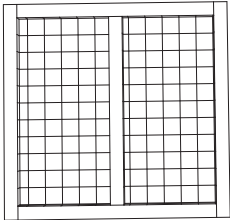

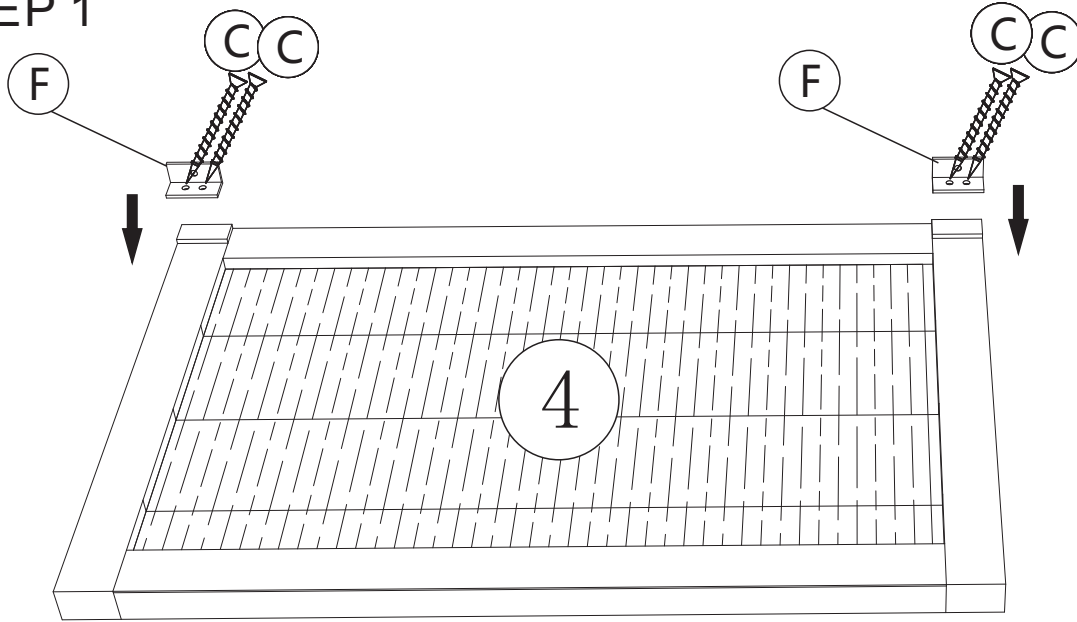


ASSEMBLY INSTRUCTIONS

 A M3.5*50 4PCS	 B M3.5*40 28PCS	 C M3.0*20 19PCS	 D M6.0*20 8PCS
 E M6.0*50 4PCS	 F 4PCS	 G 1PCS	 H 1PCS
 J 2PCS	 K 1PCS	 L M6.0*30 8PCS	 M 1PCS

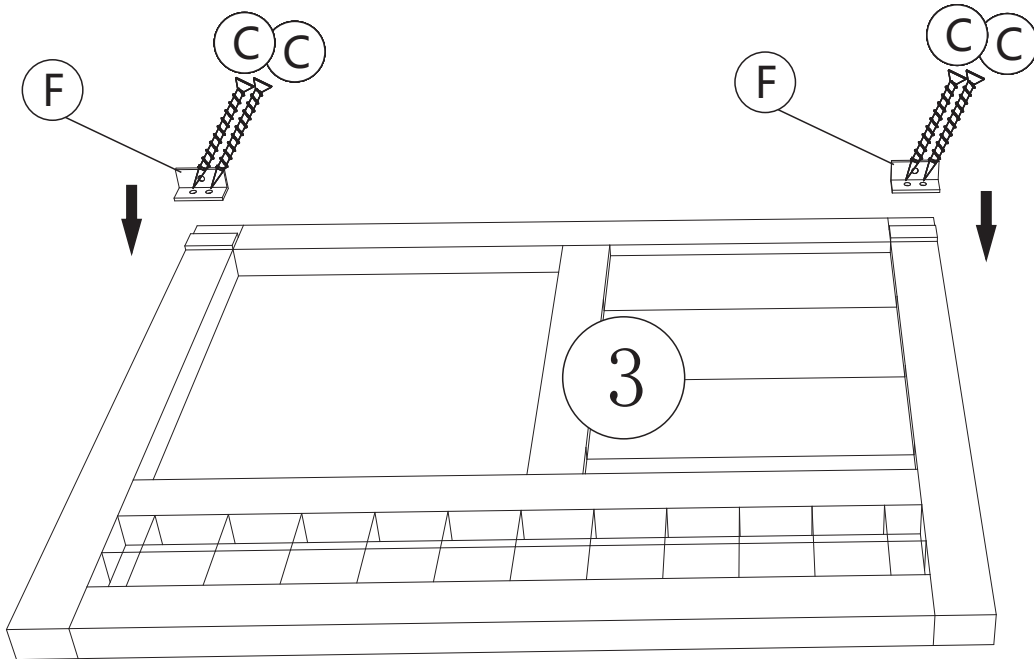
 1			 2			 N M3.0*16 8PCS		
 3		 4		 5				
 6		 7		 8				
 9		 10		 11				
 12		 13 x2		 14				

STEP 1



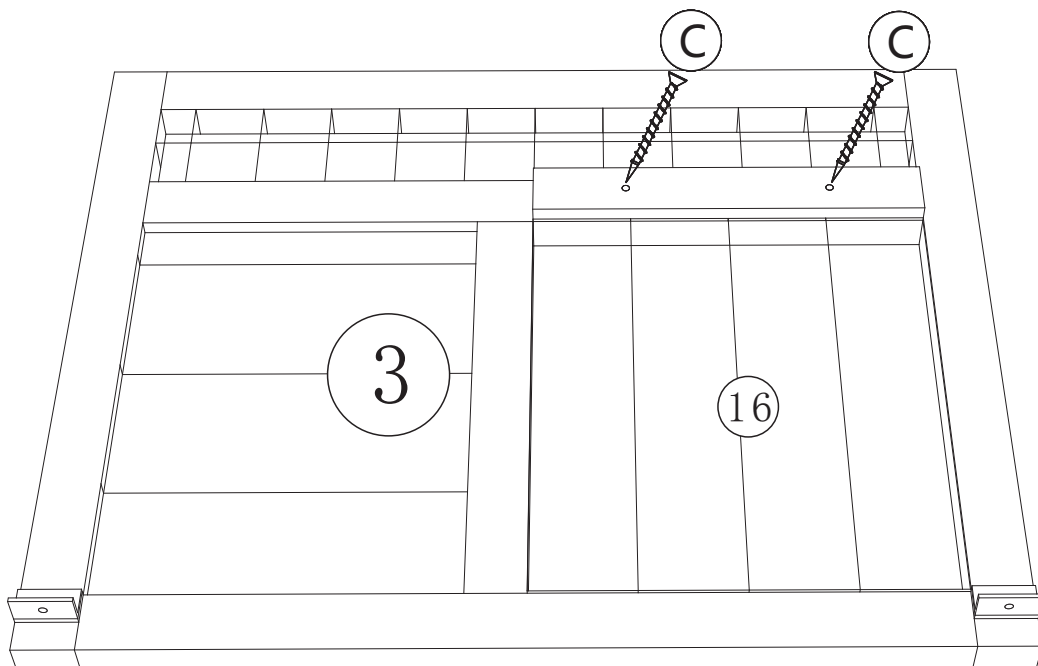
Fx2
Cx4

STEP 2



Fx2
Cx4

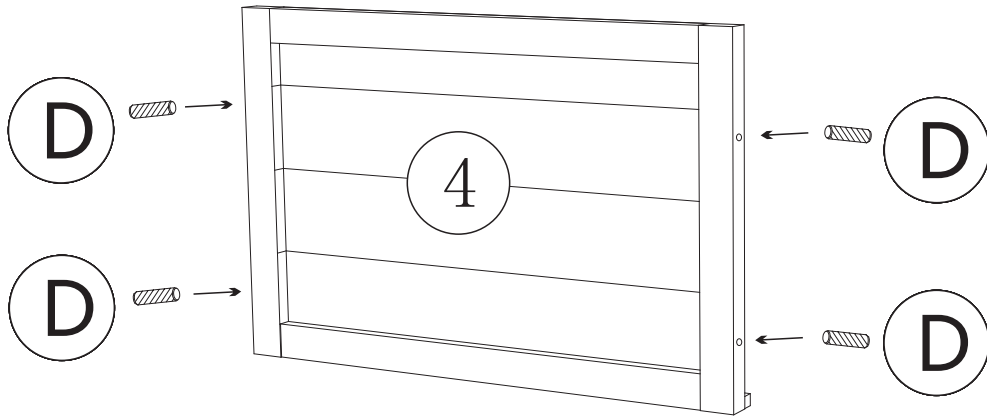
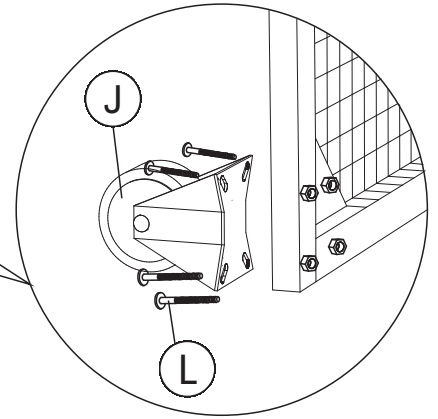
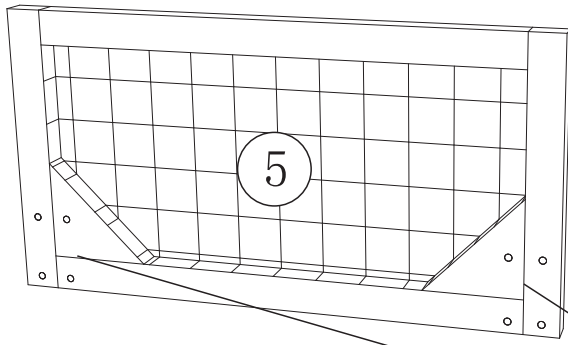
STEP 3



Cx2

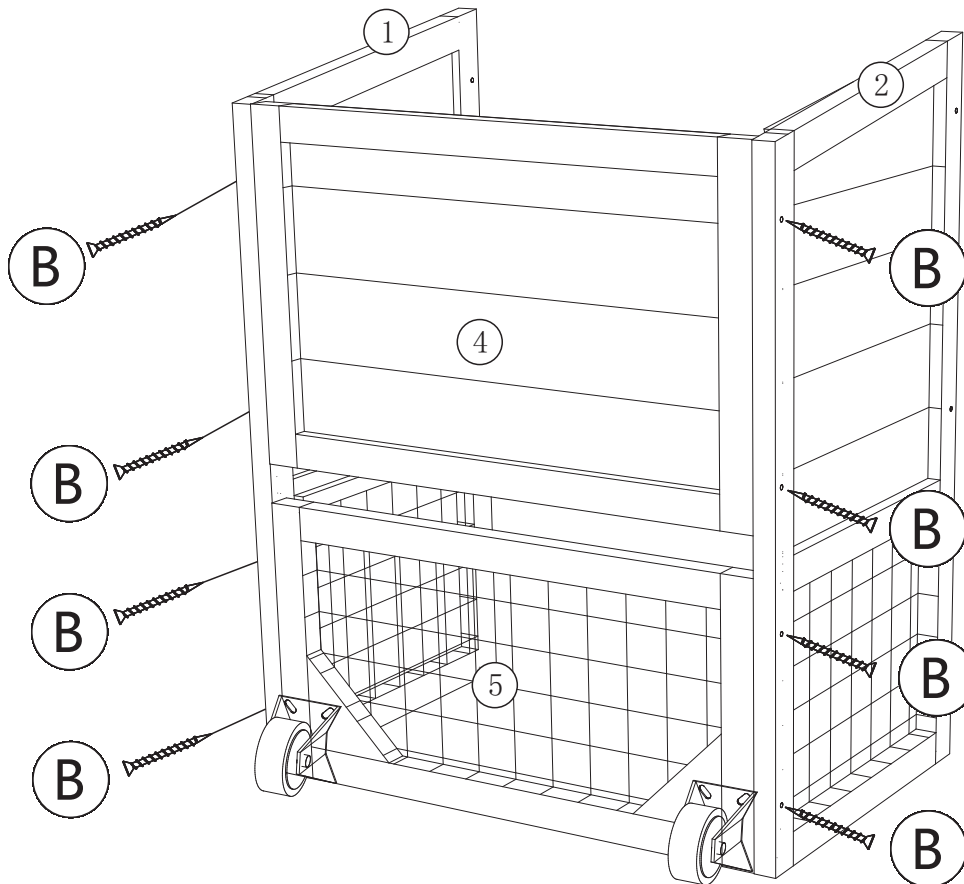
STEP 4

Dx4
Jx2
Lx8

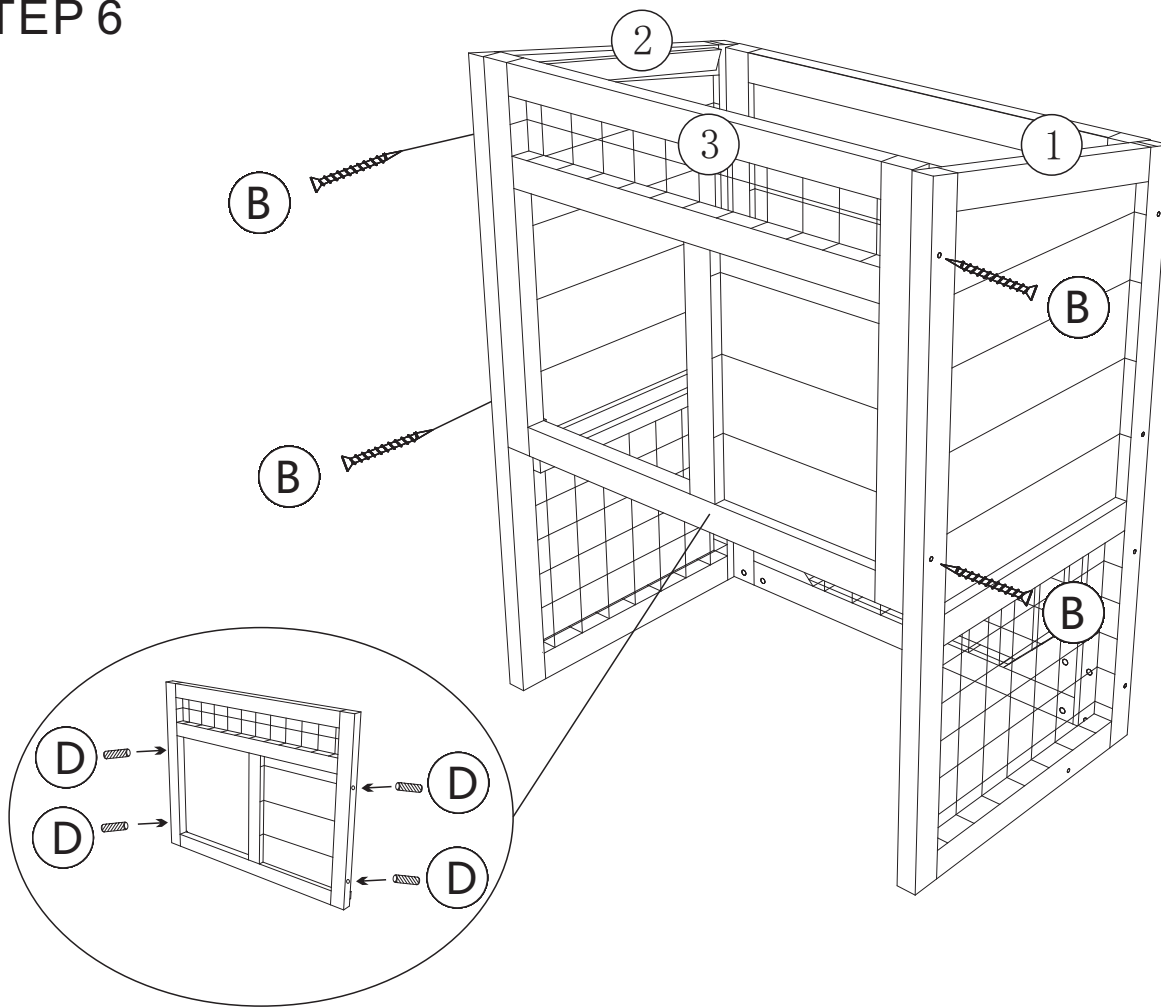


STEP 5

Bx8

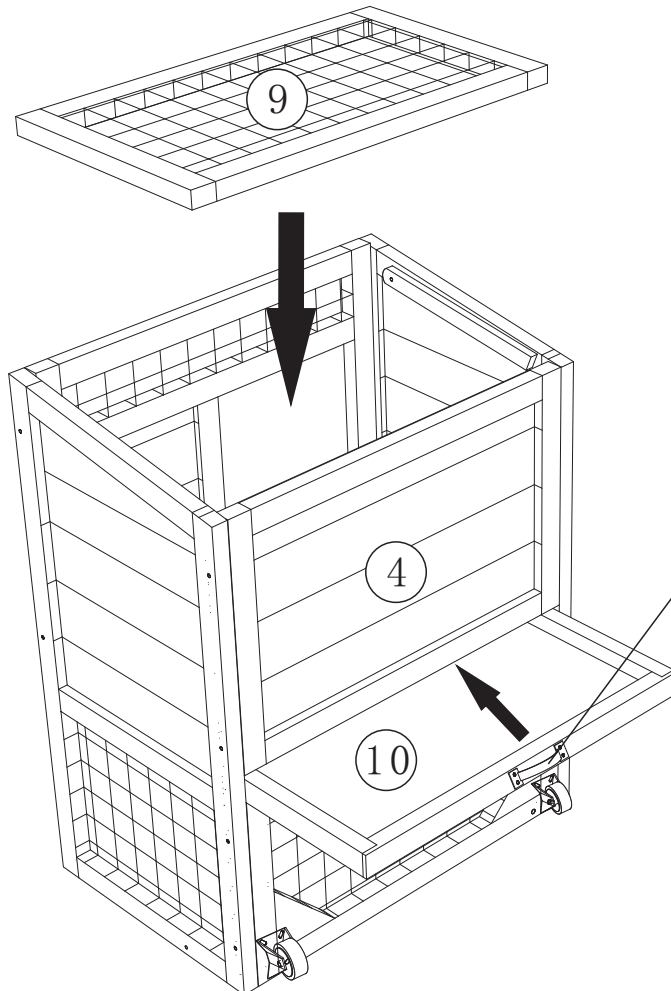


STEP 6



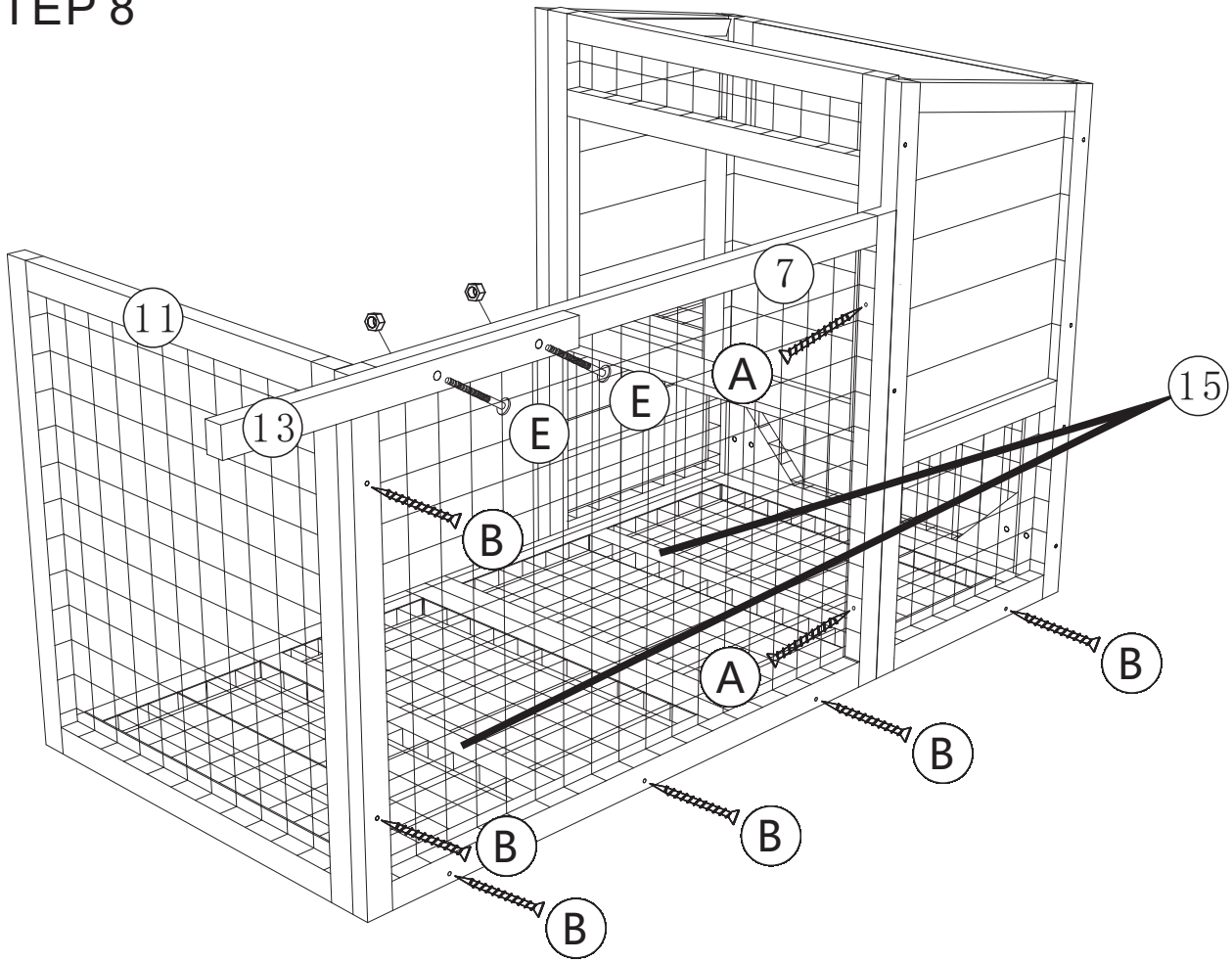
Bx4
Dx4

STEP 7



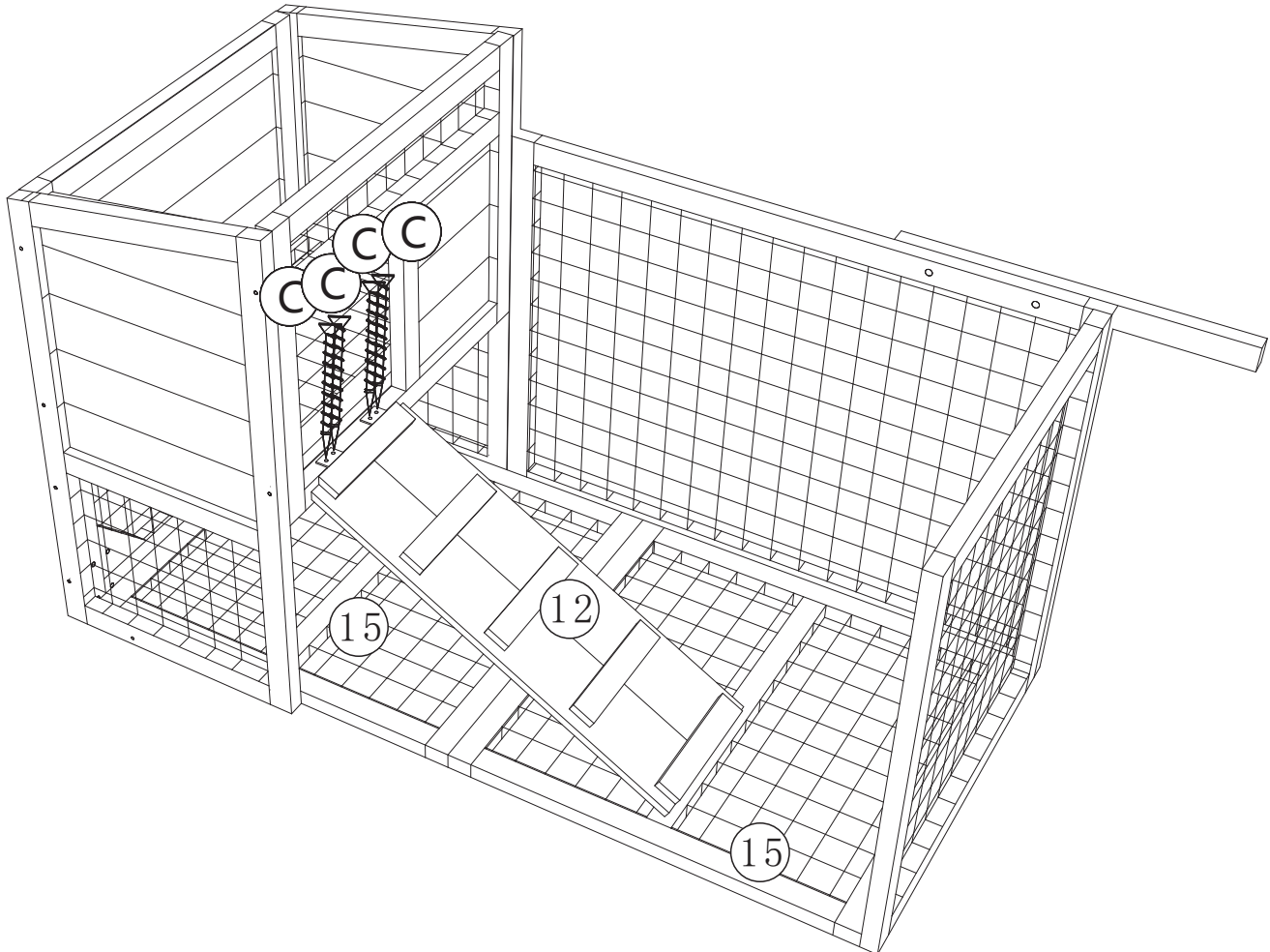
Mx1
Nx4

STEP 8



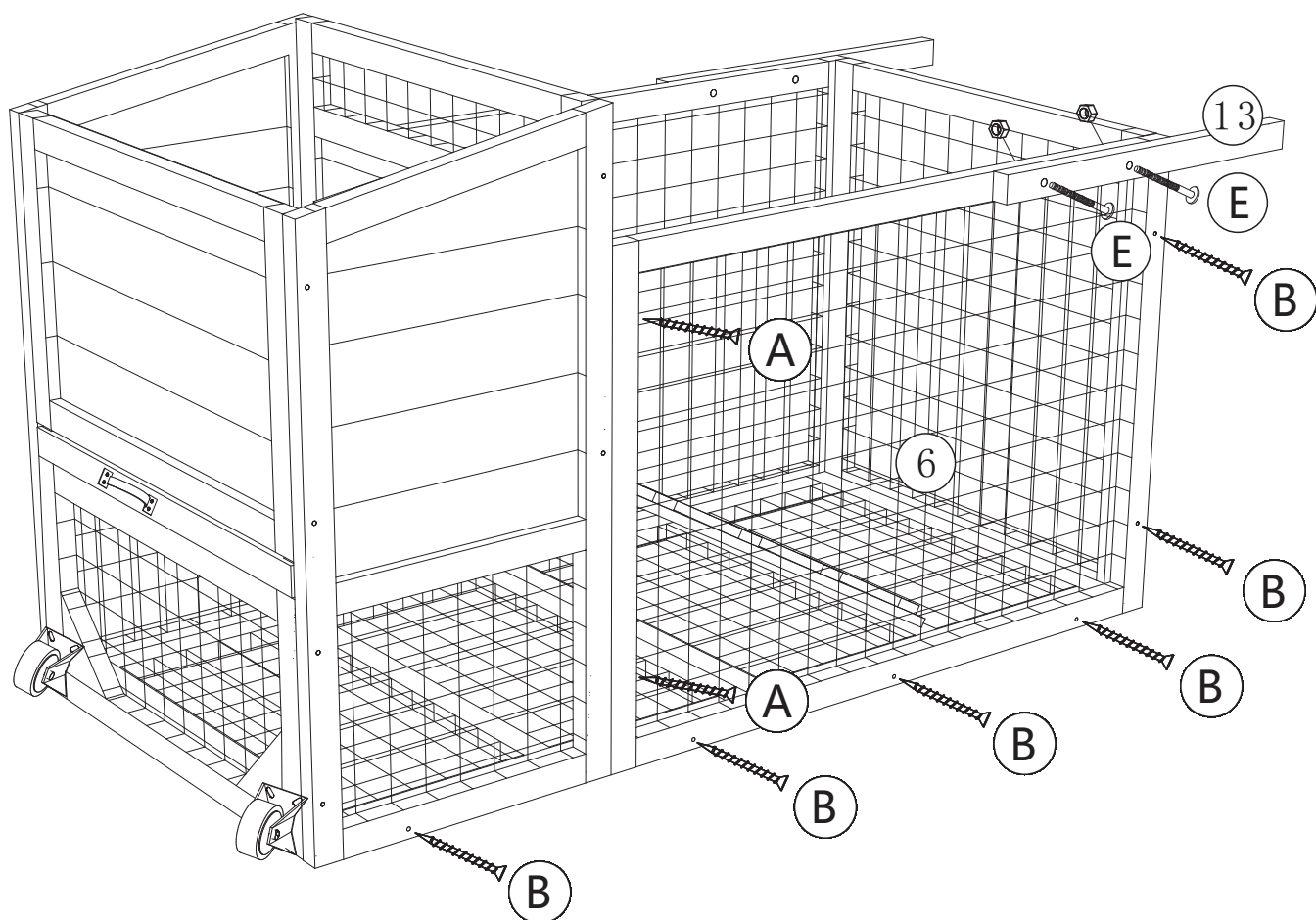
Ax2
Bx6
Ex2

STEP 9



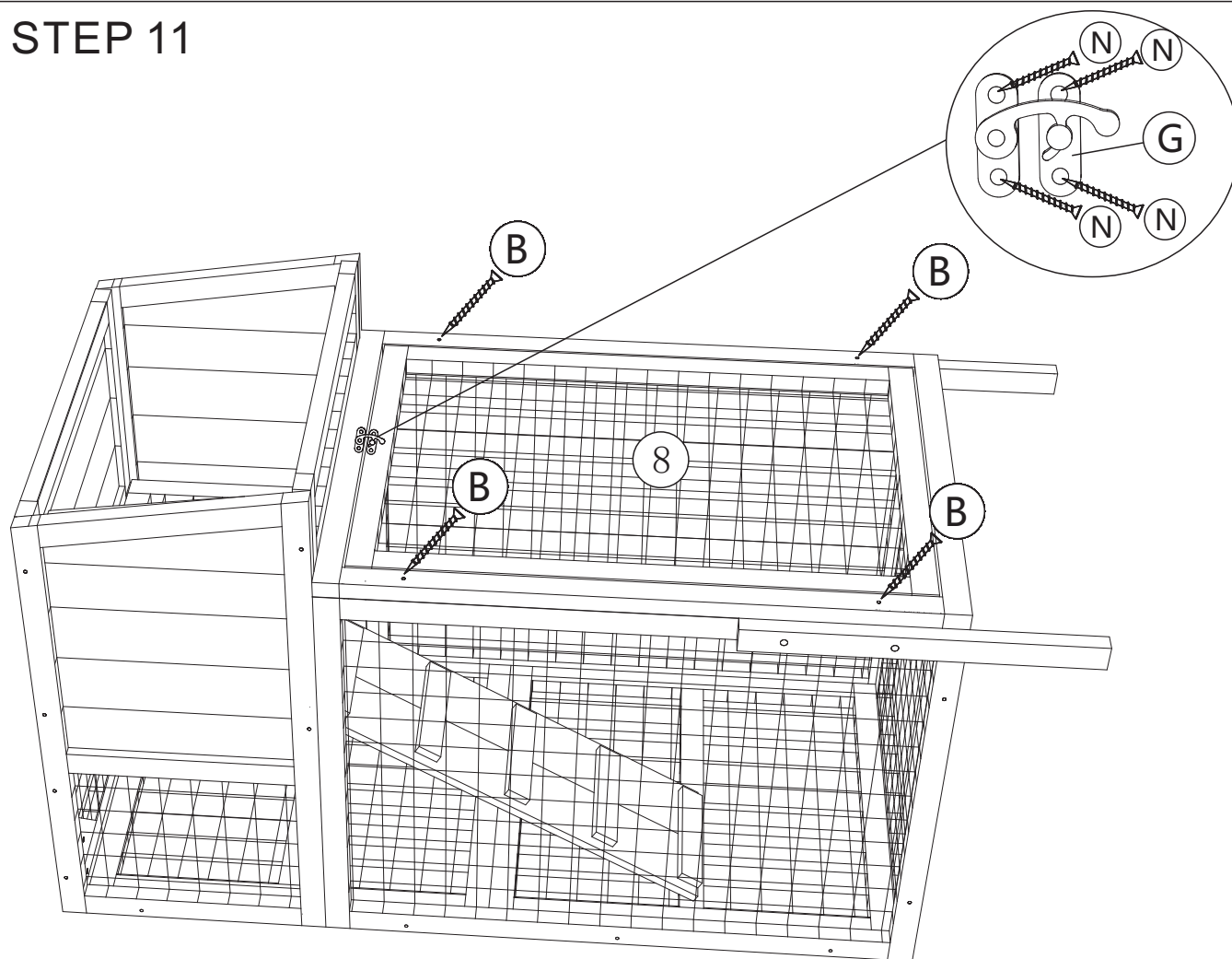
Cx4

STEP 10



Ax2
Bx6
Ex2

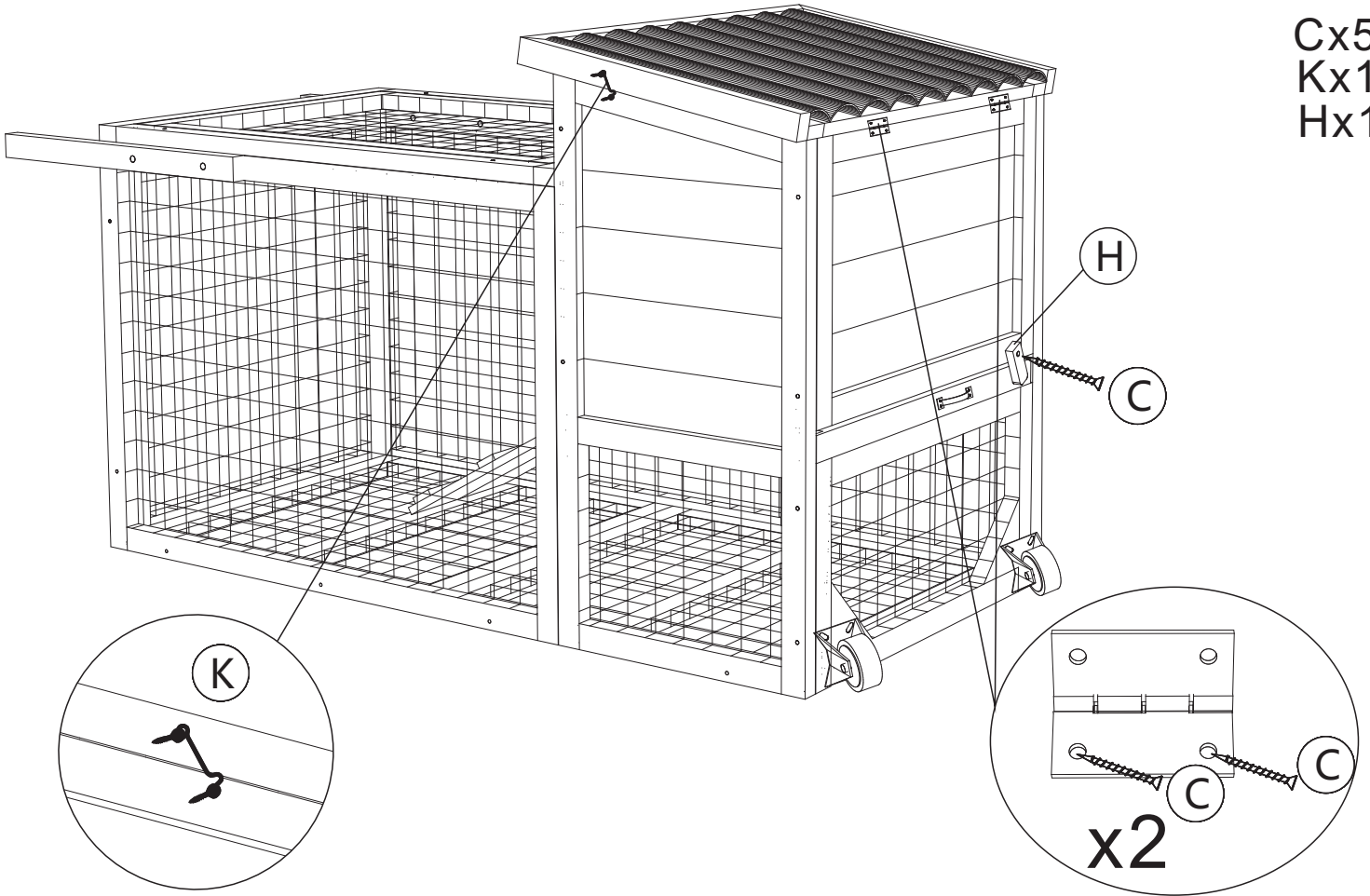
STEP 11



Bx4
Gx1
Nx4

STEP 12

Cx5
Kx1
Hx1



STEP 13

