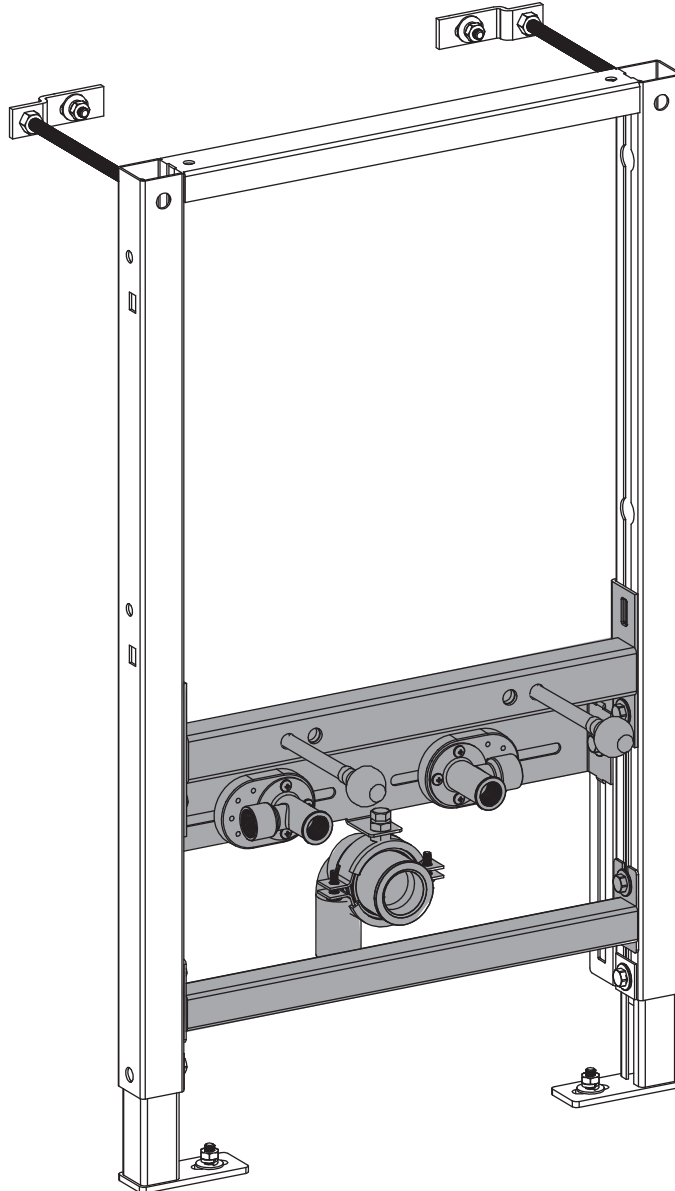


Wall-Hung Carrier System INSTALLATION INSTRUCTIONS

Swiss Madison[®]
well made forever

Concealed In-Wall Bidet Carrier System

SM-WC124



@SwissMadison
#WellMadeForever





PRIOR TO INSTALLATION:

- Inspect carrier to ensure no damages have occurred while in shipping.
- Observe all plumbing and building codes in accordance with your state and local requirements.
- All dimensions are nominal! Be sure to measure prior to installation.
- The step-by-step guidelines in the installation instructions are a general reference. Should there be any discrepancies, Swiss Madison cannot be held liable. It is recommended to install all Swiss Madison products by hiring a licensed professional.
- Read installation and maintenance instructions thoroughly before installing. Be sure to use proper tools and always wear proper personal safety accessories for your protection.
- Additional floor and wall preparations may be necessary to avoid damage to the product.
- Carrier will not fit in a 2x4 wall (2x6 minimum wall).
- An access panel will be needed behind to make all connections. It is not recommended to do this on an exterior wall.
- All four bolts will need to be loosened to adjust the frame height. Do not take out loosened bolts while adjusting.
- Separate water shut offs should be installed and accessible.
- A mixing valve may be required per code and will avoid scalding.
- This product is a required component for all Swiss Madison wall-hung bidet installations.

If you have any questions or concerns please contact us:

1-434-623-4766

info@swissmadison.com

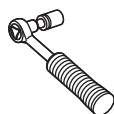
SUGGESTED TOOLS & MATERIALS:



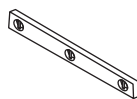
Safety Glasses



Wrench



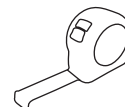
Socket Wrench



Level



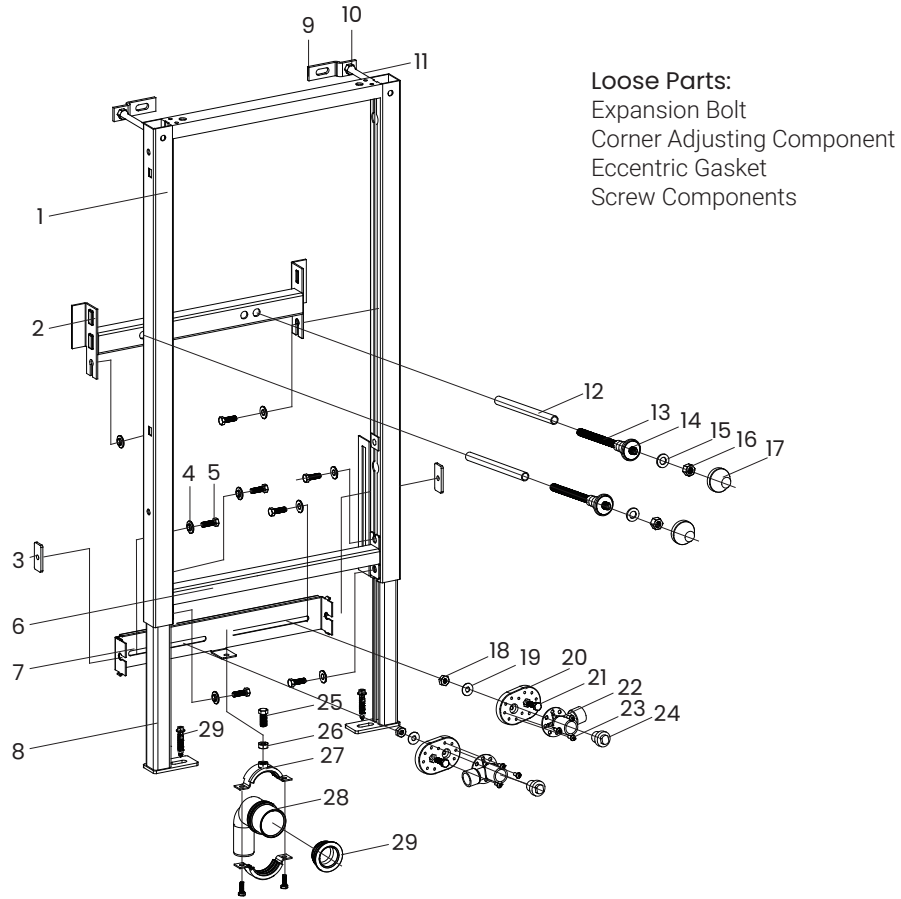
Screwdriver



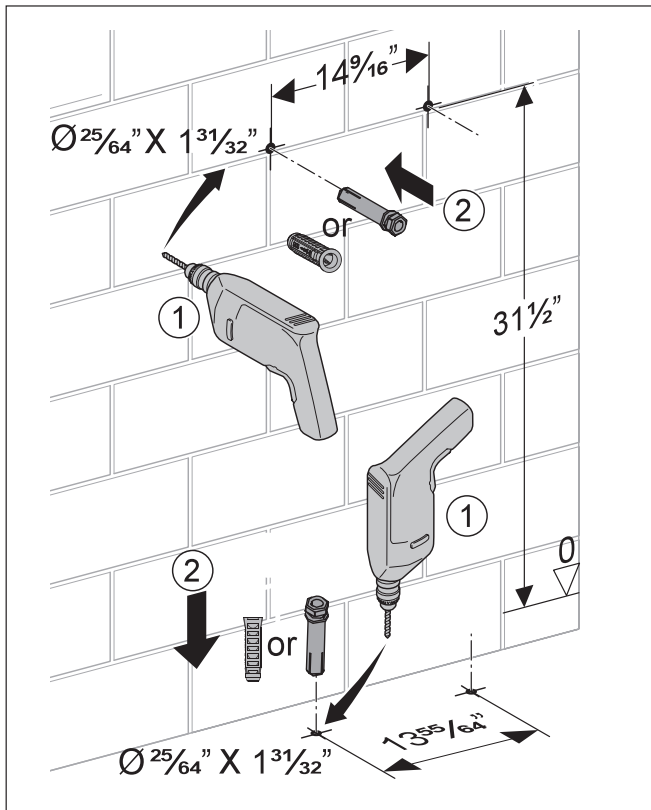
Tape Measure



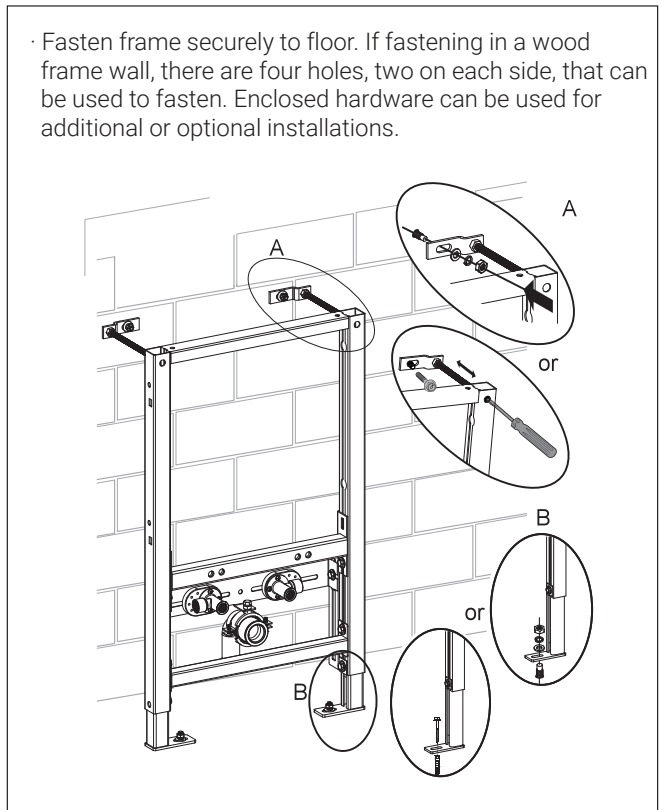
Drill



1.

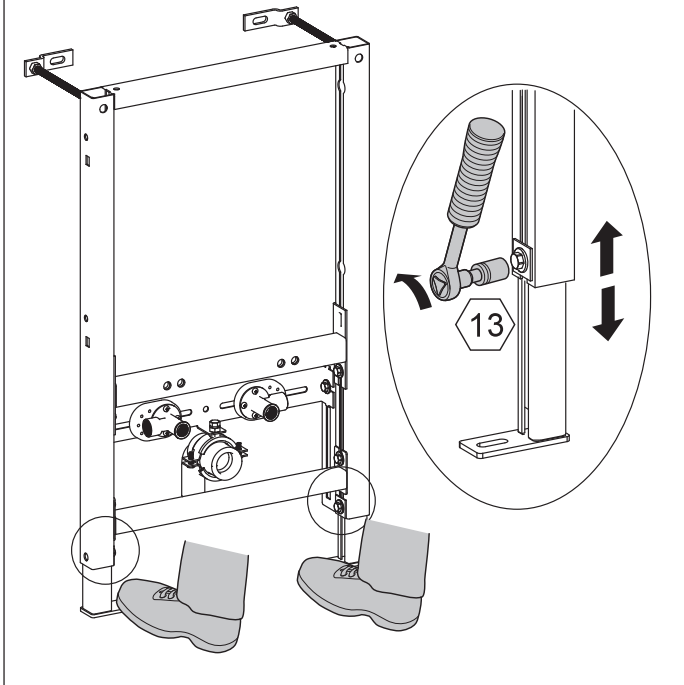


2.

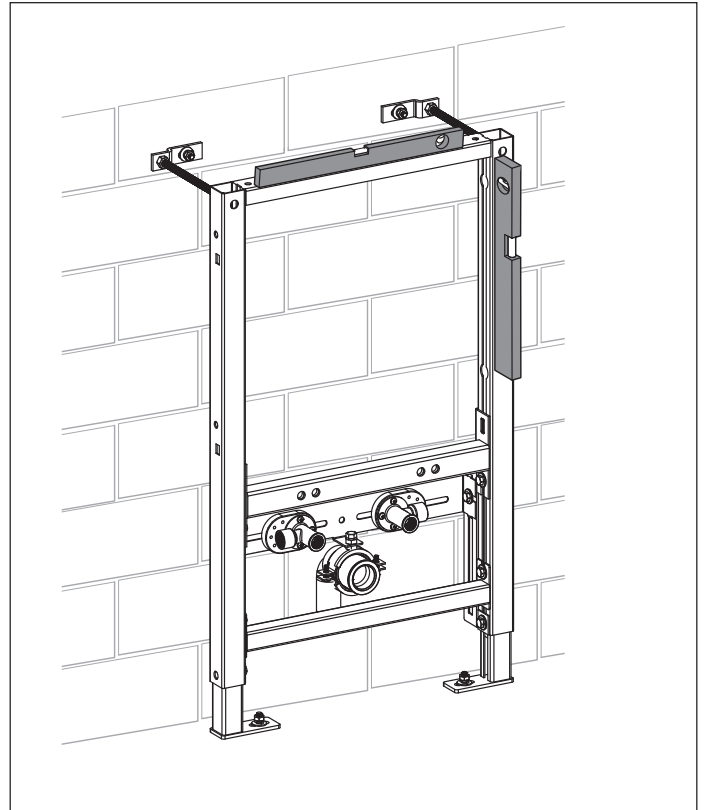


3.

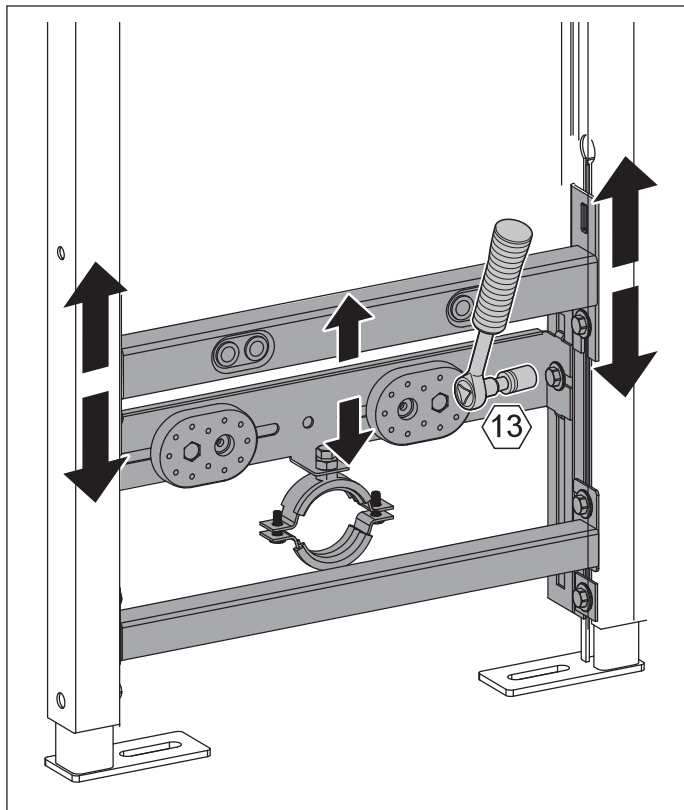
- Carefully measure from your finished floor to your trap center to set the height of carrier discharge.
- With access from behind, adjustments can be made later.



4.

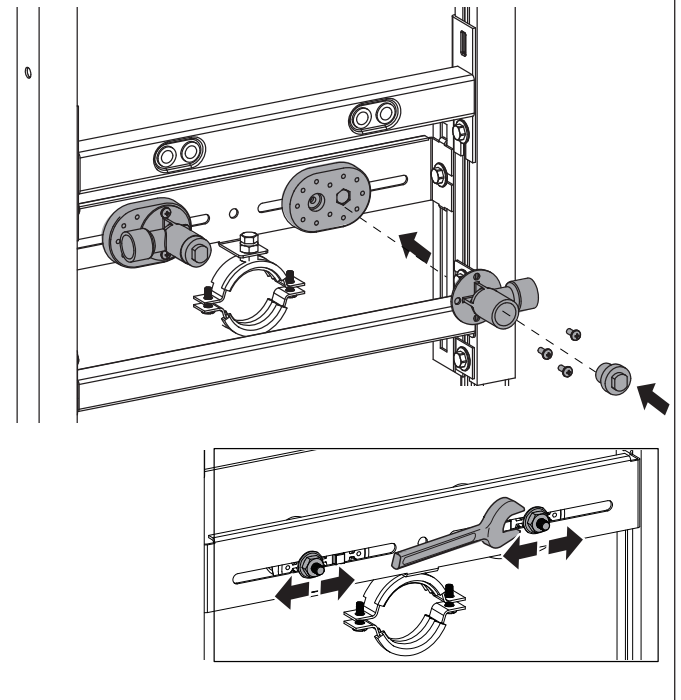


5.

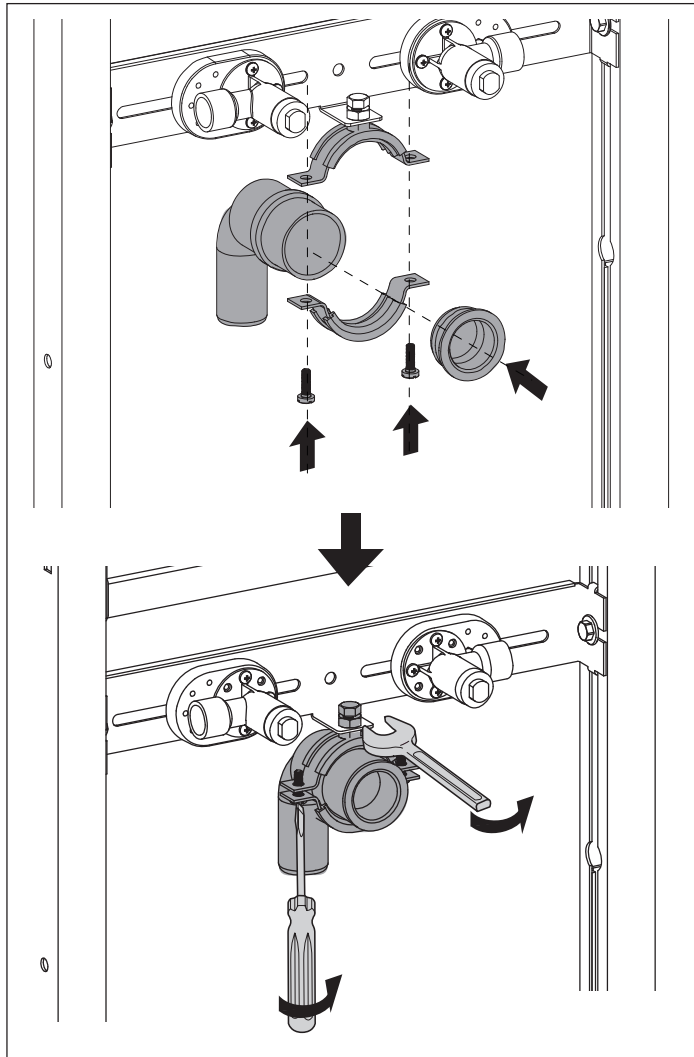


6.

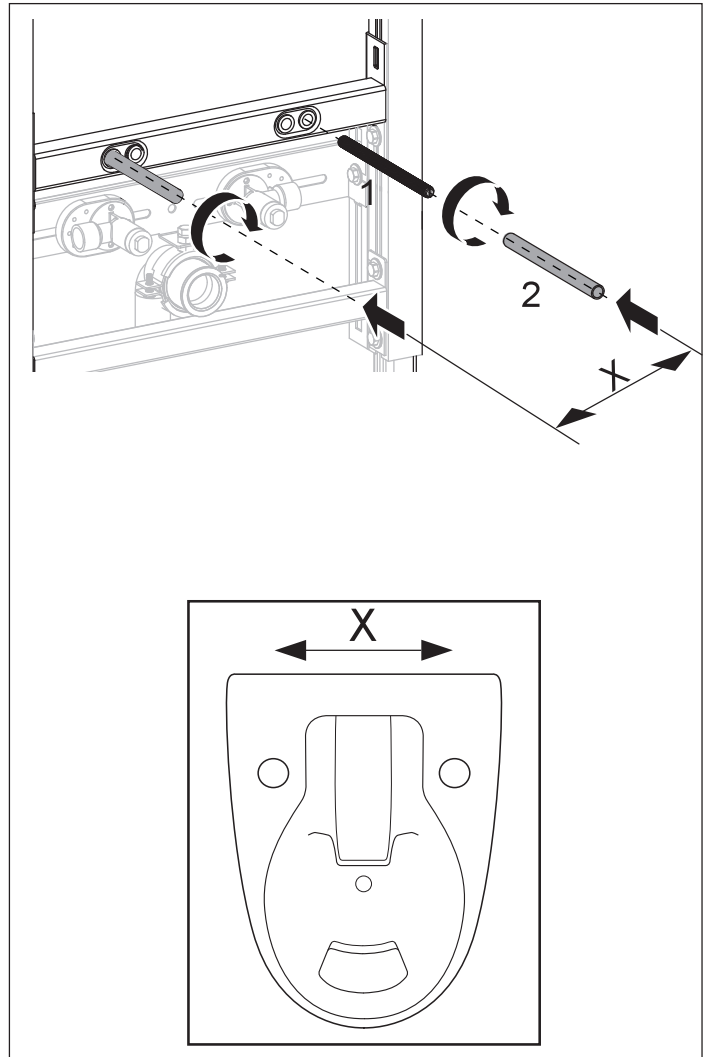
- Plastic plugs are included for test or rough plumbing.



7.

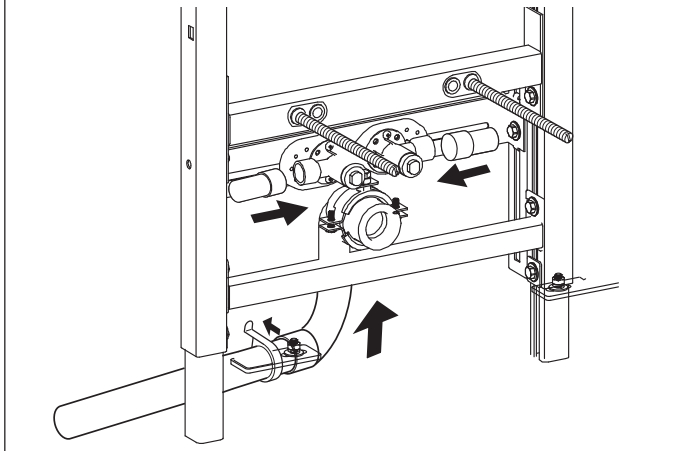


8.

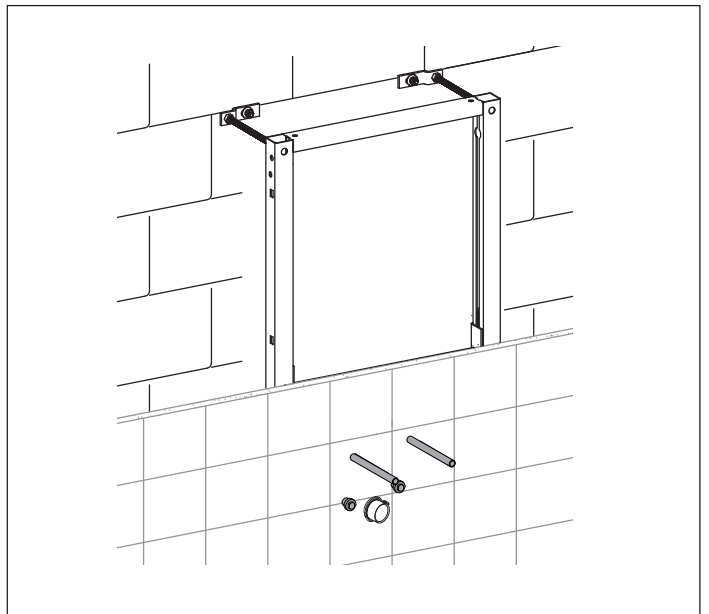


9.

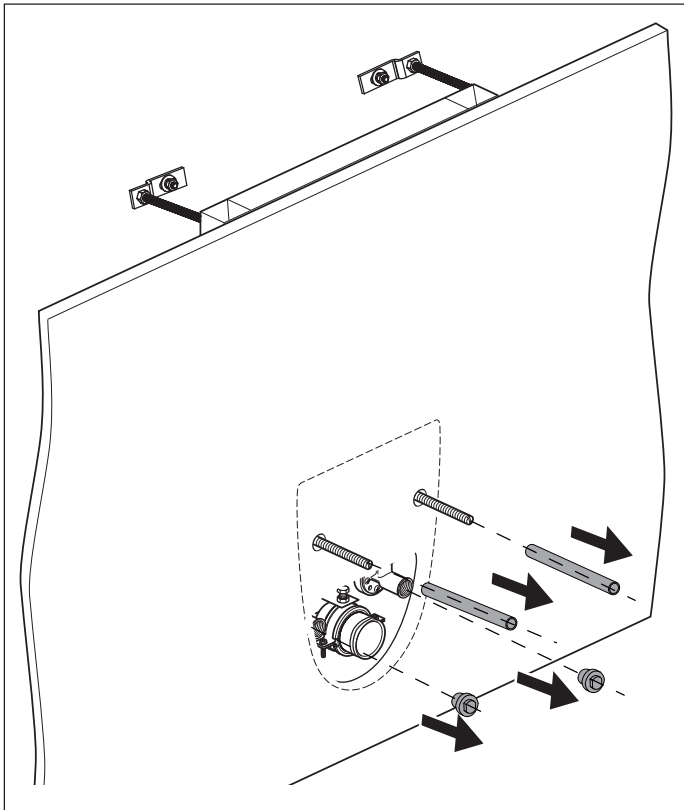
· Install threaded rods into bracket. Measure to make sure which holes apply to your installation. Make sure to leave the slotted end of the rod out for adjustment. Cut and place clear tubes over rods to protect during construction.



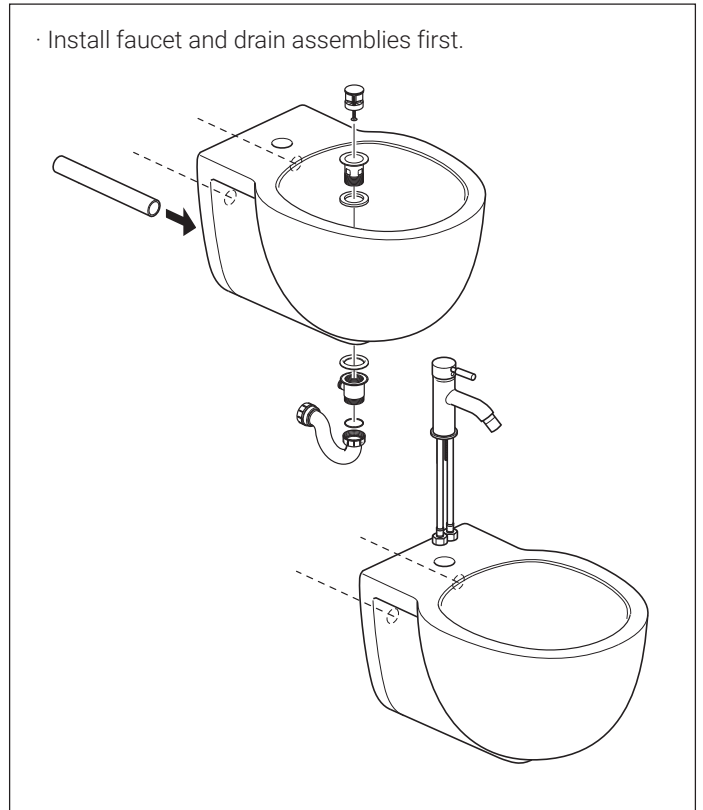
10.



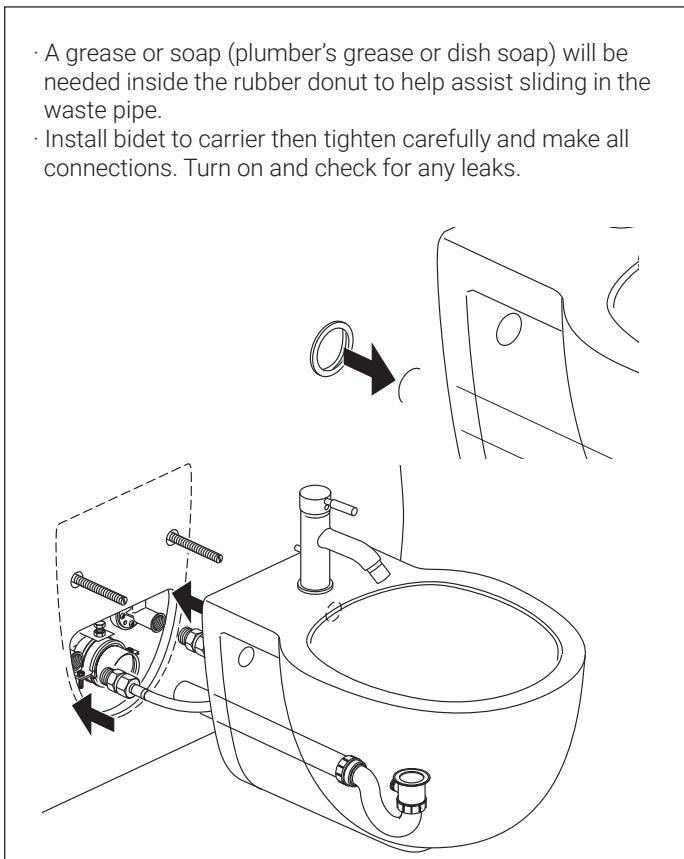
11.



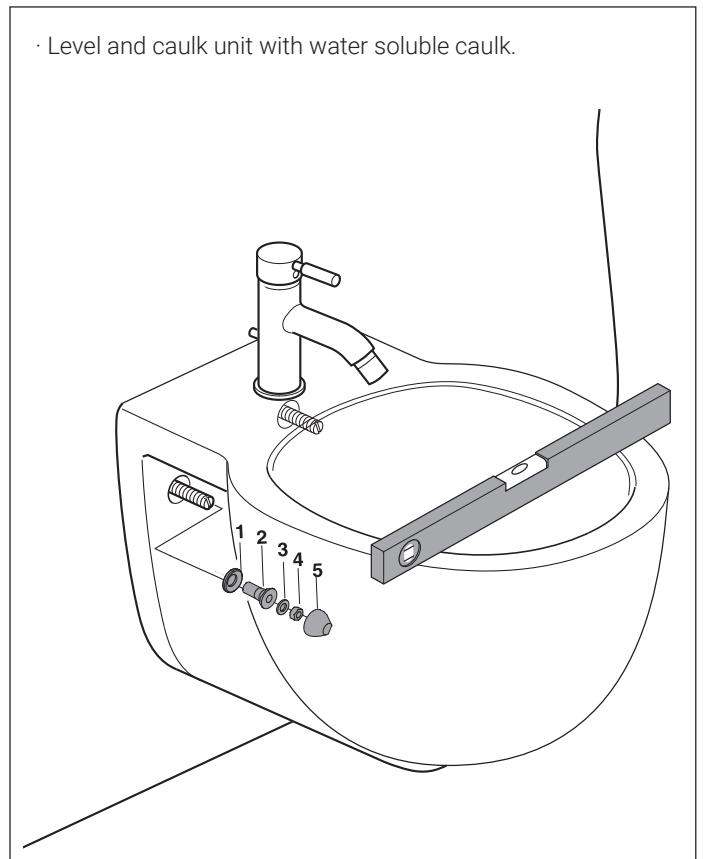
12.



13.



14.



ONE YEAR LIMITED WARRANTY

Swiss Madison® products are made with quality materials and excellent craftsmanship to provide our customers with beautiful, durable, long-lasting products. Should there be any defects in materials or craftsmanship under regular use that are discovered within the first year of installation, Swiss Madison® will provide replacement parts at no charge, or at its discretion, replace any product or part of the product that is deemed defective, under normal installation, use, service or maintenance. This warranty applies only to the original purchaser. Proof of purchase will be required in the instance of a claim.

Swiss Madison® recommends all installations of Swiss Madison® products to be conducted by a licensed, professional plumber or contractor. Swiss Madison® will not be held responsible for any damage or product failure due to improper installation, misuse, or failure to utilize a licensed professional for installation. Swiss Madison® is not responsible for any installation or removal costs.

This One Year Limited Warranty Will Be Voided If:


- The installation recommendations were not followed by the installer
- The product has been moved from its initial place of installation
- The product has in any way been modified from its packaged state
- The product has been subjected to improper maintenance, abuse, misuse, excessive use of chemicals, accidents, or other damages, etc.

Swiss Madison® makes no implication that its products comply with any local building or plumbing codes. It is the consumer's responsibility and obligation to determine local code compliance prior to and during installation. This warranty extends only to the original purchaser and first consumer.

Swiss Madison® is not responsible for any special, incidental or consequential damages associated with the installation, replacement, return or use of the original purchaser's product. This includes, but is not limited to: freight costs, labor, travel time, lost profit, home damages and other contingent liabilities and costs (including, without limitation, costs associated with 'professionals' or 'experts', investigations, audits, analyses, attorneys and any other professional/hired services).

The Swiss Madison® warranty is a comprehensive and explicit limit of liability. All items not disclosed within the warranty are not addressable within the responsibility of Swiss Madison®. Certain states have variances regarding implied warranties; in those situations, we remain fully compliant.

**If you have any questions or concerns, please contact us directly at
1-434-MADISON (623-4766)**

 **WARNING:** Contents of your order may contain sharp and possibly other harmful pieces and may cause hazard to children and adults. Swiss Madison® is not responsible in any way for personal damages.