

2-Light Drum Semi Flush Mount With Acrylic Shade

Caution: Please turn off power before installation and read the manual carefully, we advise you contact professional electricians to install for safety purpose.

Product Features

Style: Modern/Farmhouse/Traditional

Material: Metal, Fabric

Base Type: E26

Light Source Included: No

Voltage: 120VAC

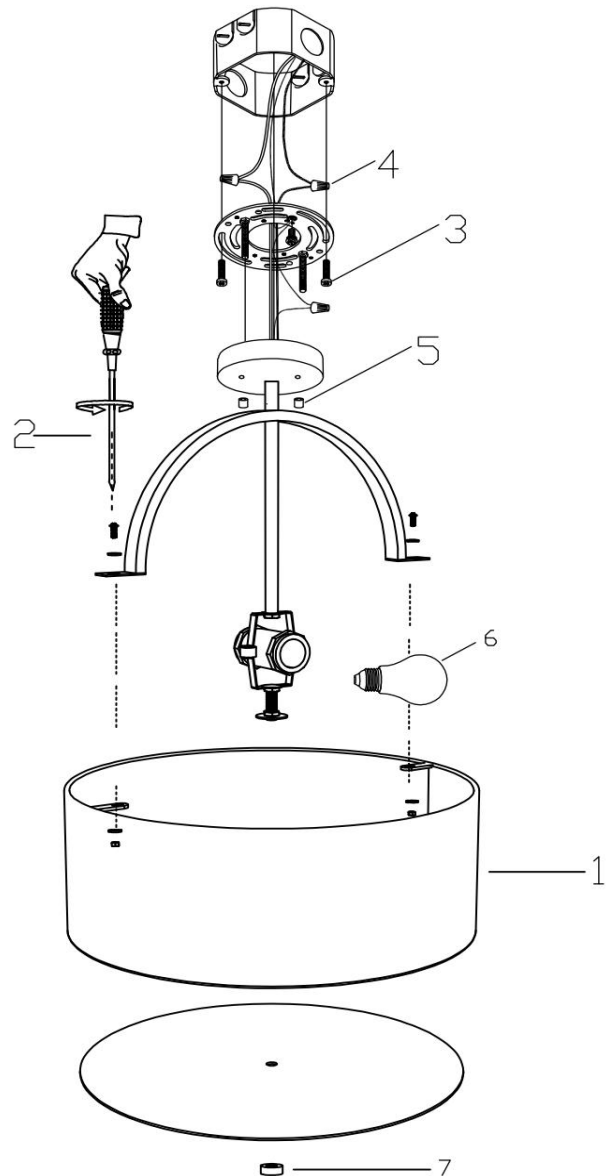
Wattage: 40W Max (Per bulb)

Package includes

1 x Ceiling Light

1 x Accessories Kit

1 x User's Manual



Installation Instructions

1. Align the shade with the screw holes.
2. Secure the shade using screws.
3. Use screws to fix the mounting plate to the junction box.
4. Connect the live wire of the fixture to the live wire by using the wiring cap, and also connect the neutral wire of the fixture to the neutral wire. Connect the ground wire of the fixture to the ground wire.
5. Fix the canopy to the mounting plate with the cap nuts.
6. Install the light bulb (not included).
7. Align the acrylic shade hole with the thread and fix it with the cap nut.

Note: please use this product accordingly to its intended purpose, do not retrofit or remodeling the product. The warranty does not cover if the failure is caused by the third party product, or natural disasters.

Made in China