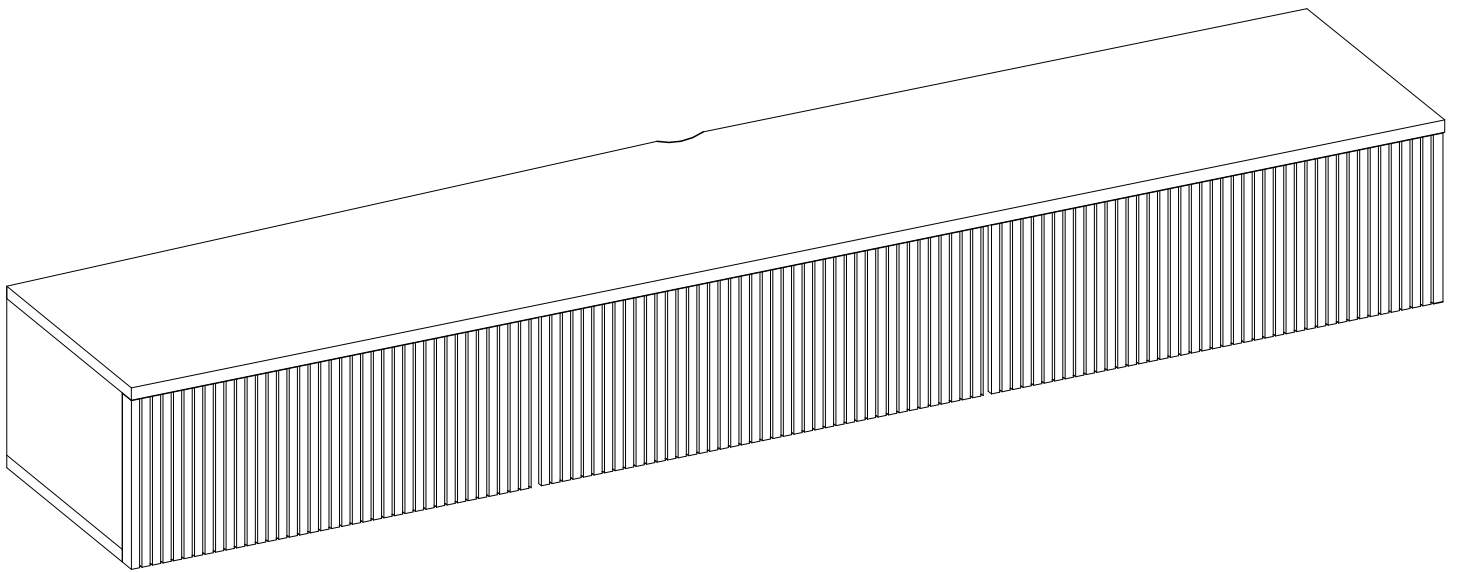
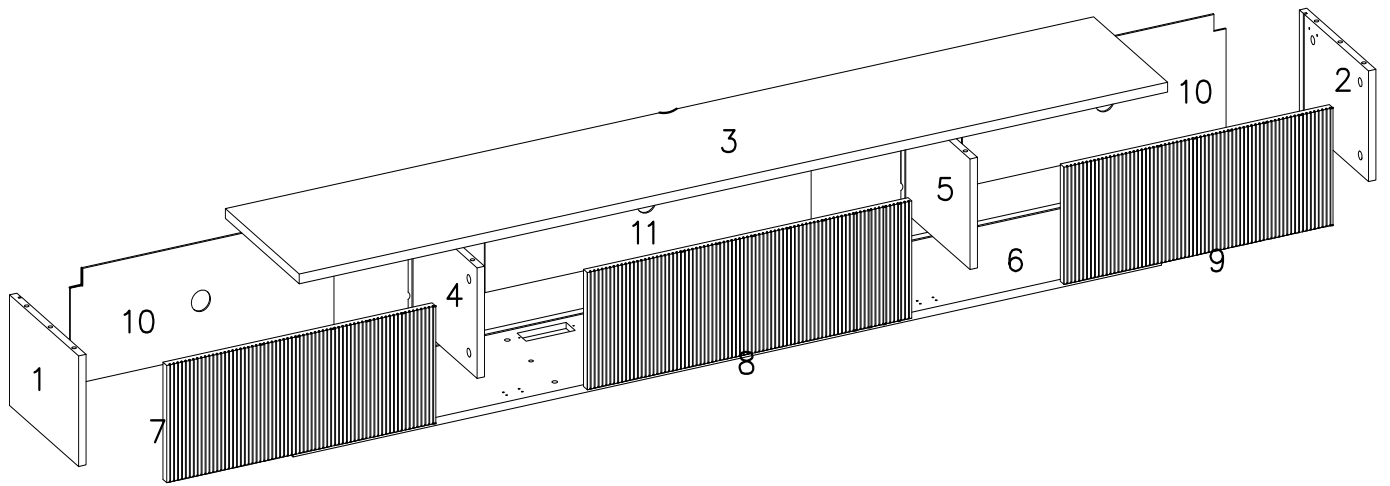


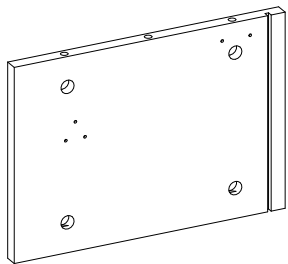
Installation & Assembly





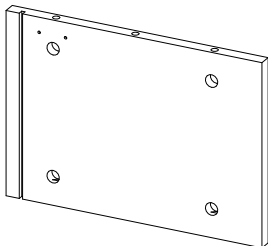
<p>A</p> <p>A1 A2</p> <p>16pcs</p>	<p>B</p> <p>$\varnothing 8 \times 30\text{mm}$</p> <p>8pcs</p>	<p>C</p> <p>$\varnothing 3.5 \times 14\text{mm}$</p> <p>69pcs</p>	<p>D</p> <p>$\varnothing 3.5 \times 40\text{mm}$</p> <p>8pcs</p>	<p>E</p> <p>$\varnothing 3.5 \times 30\text{mm}$</p> <p>8pcs</p>	<p>F</p> <p>$8 \times 40\text{mm}$</p> <p>8pcs</p>	<p>G</p> <p>6pcs</p>	<p>H</p> <p>H1 H2</p> <p>3pcs</p>
<p>I</p> <p>3pcs</p>	<p>J</p> <p>J1x1</p> <p>J2x4</p> <p>J3x4</p> <p>1pc</p>	<p>K</p> <p>K1*1</p> <p>K2*2</p> <p>1pc</p>	<p>L</p> <p>L1*4 L2*4</p> <p>L3*2 L4*2</p> <p>1pc</p>	<p>M</p> <p>12pcs</p>	<p>N</p> <p>16pcs</p>		

1



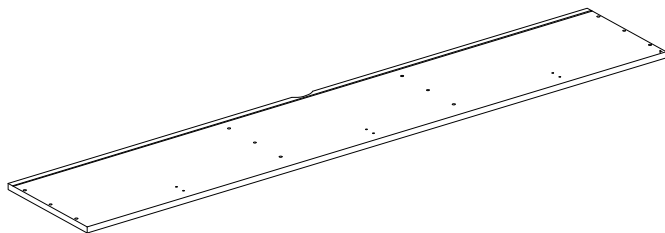
203*278*15mm 1pc

2



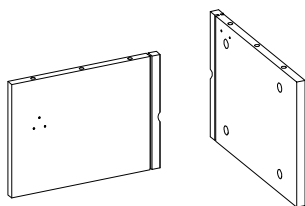
203*278*15mm 1pc

3



1650*300*15mm 1pc

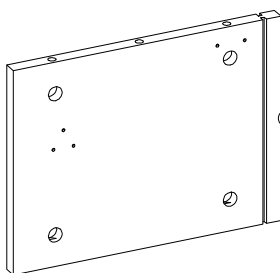
4



one side the other side

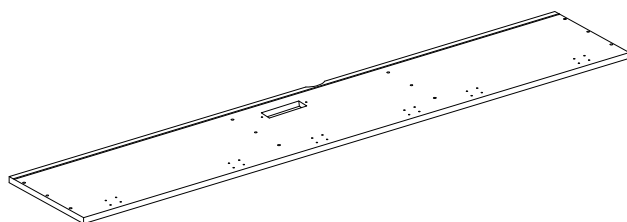
203*278*15mm 1pc

5



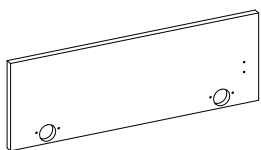
203*278*15mm 1pc

6



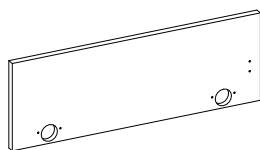
1650*279*15mm 1pc

7



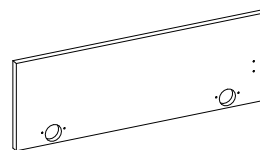
548*213*15mm 1pc

8



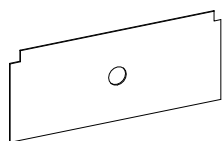
542*213*15mm 1pc

9



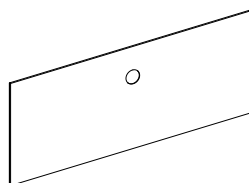
548*213*15mm 1pc

10



538*213*3mm 2pcs

11

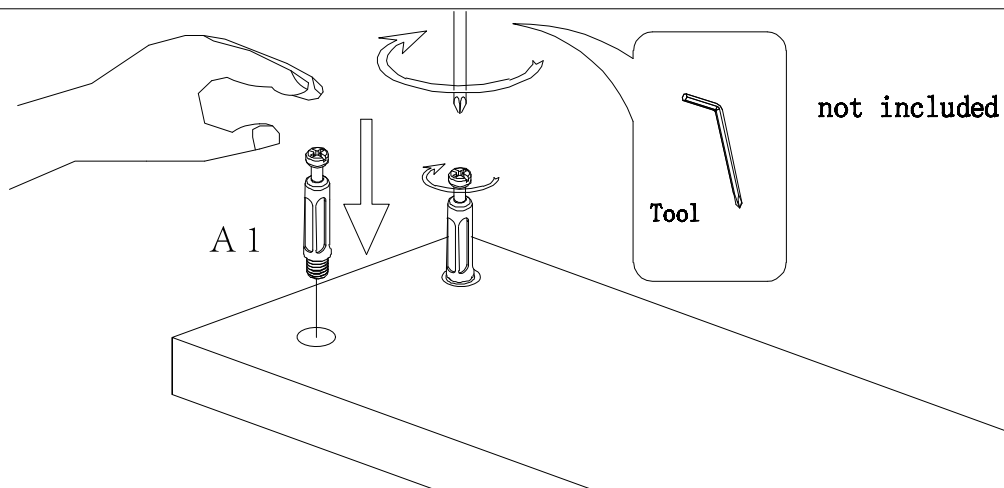


538*213*3mm 1pc

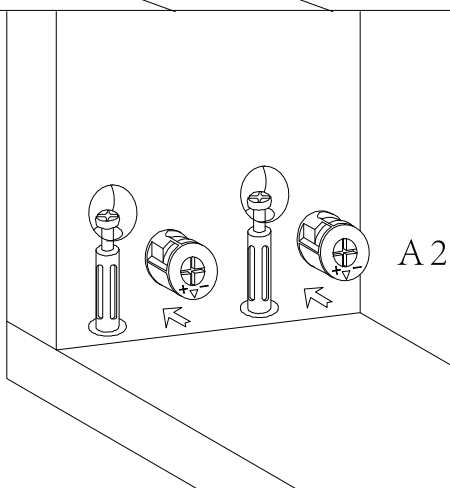
Hardware installation demonstration

NOTE: Please make sure
"A1" hardware tightened
and can't be pulled out!

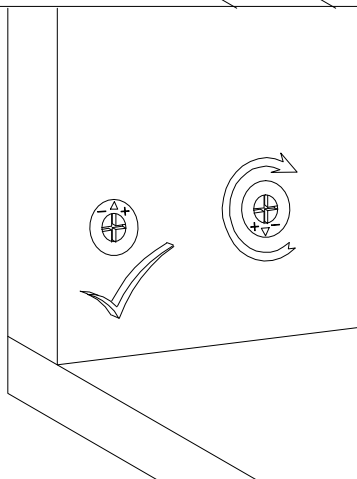
I



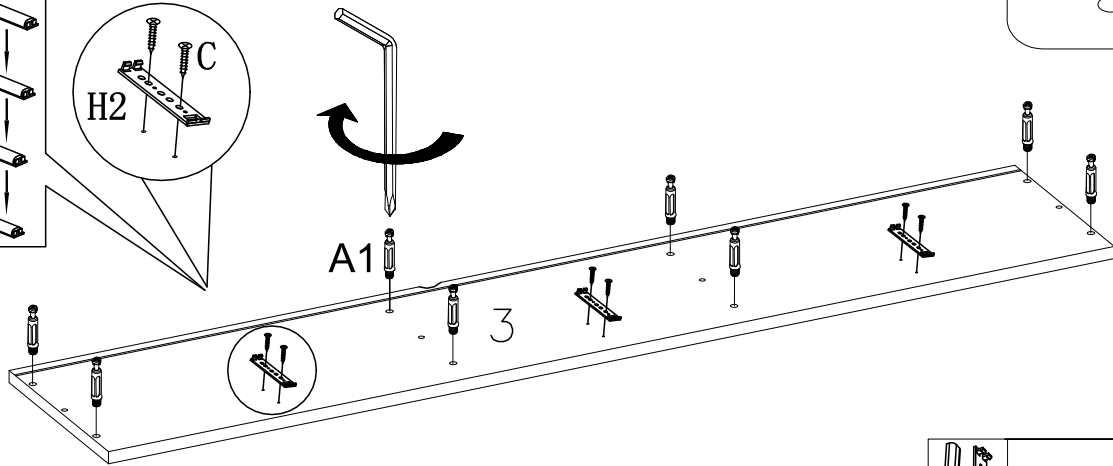
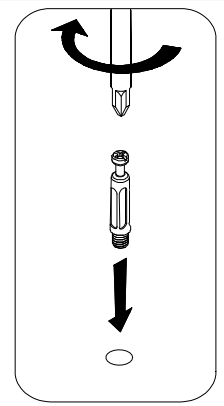
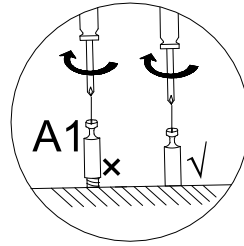
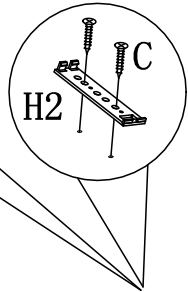
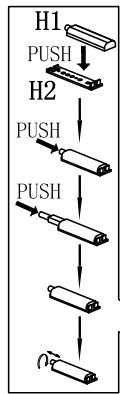
II



III

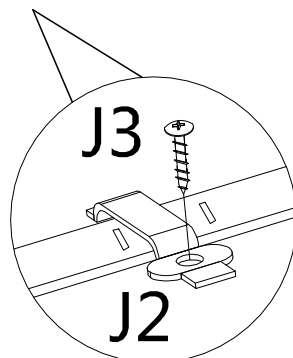
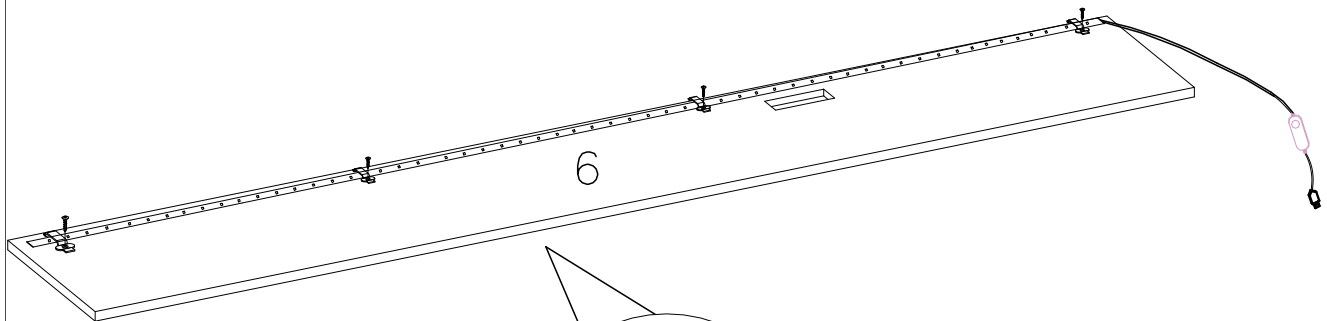
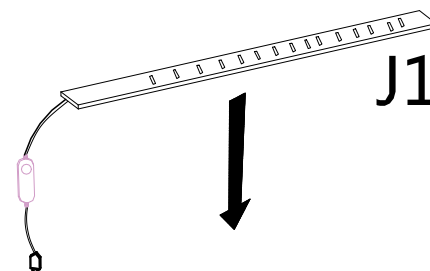
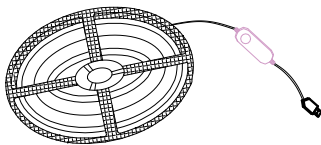


STEP 1



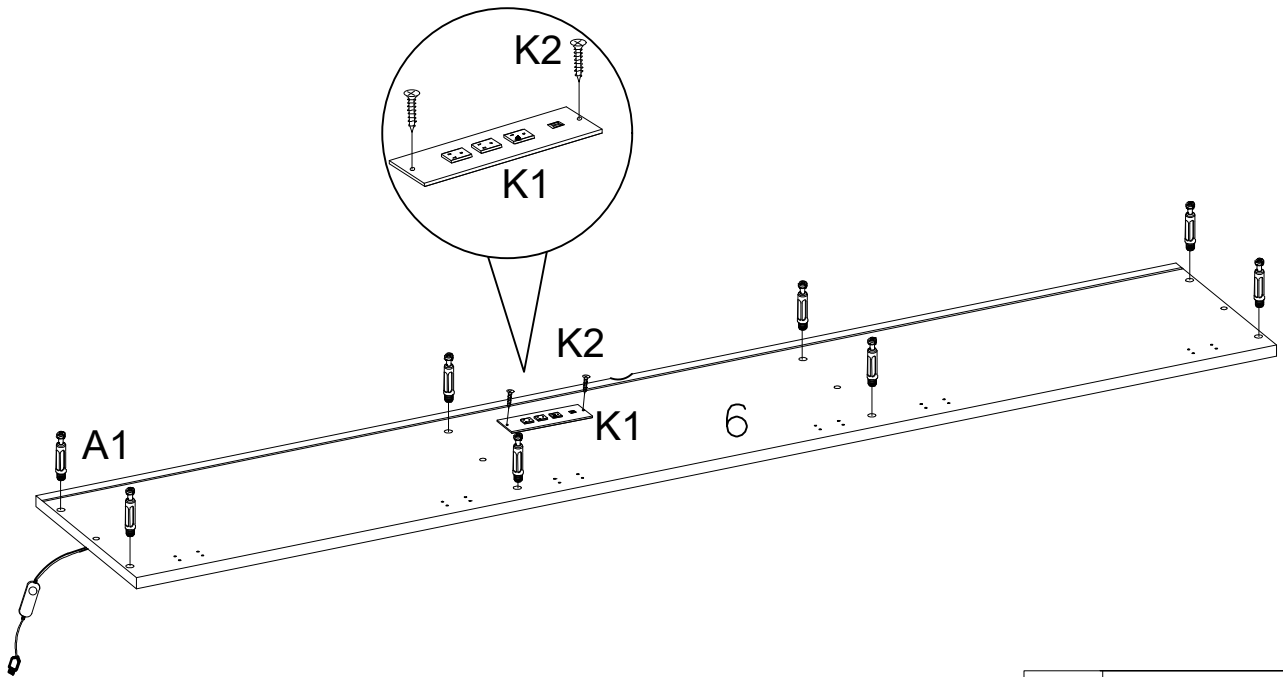
		H × 3PCS
	C × 6PCS	A1 × 8PCS

STEP 2



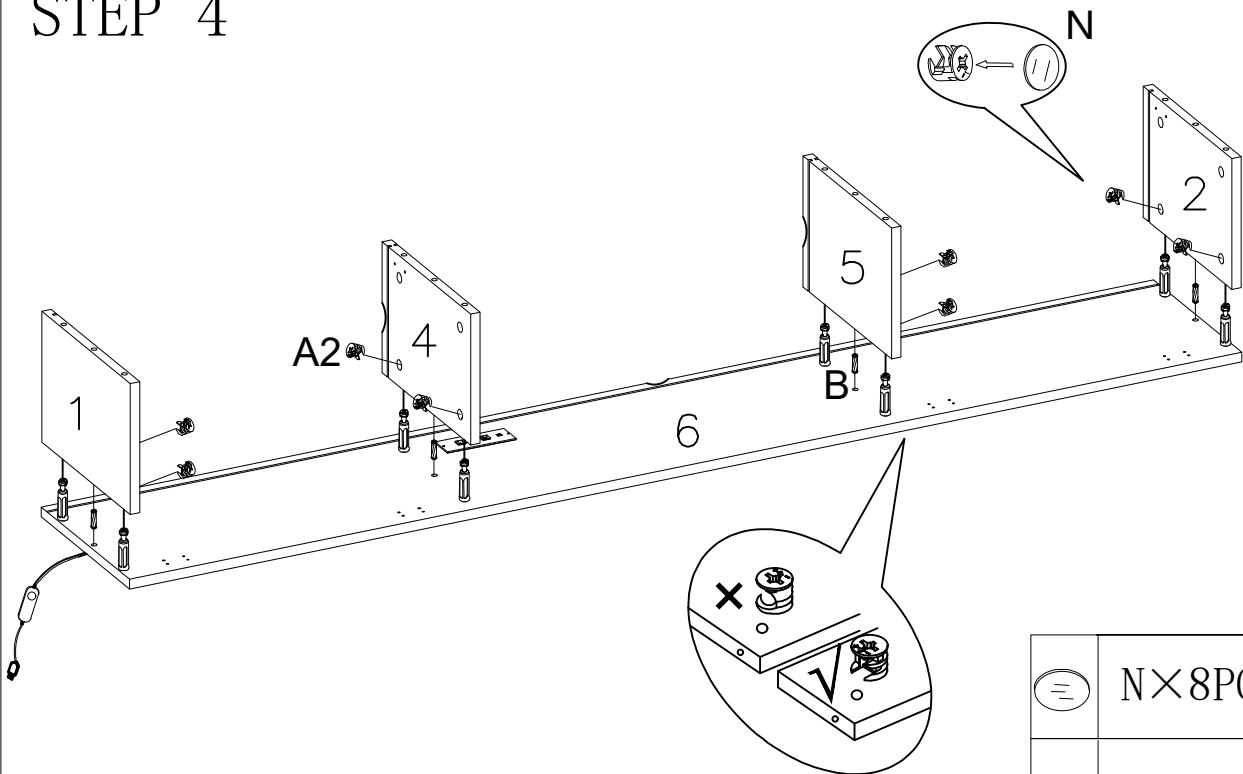
	J1 × 1PC
	J2 × 4PCS
	J3 × 4PCS

STEP 3



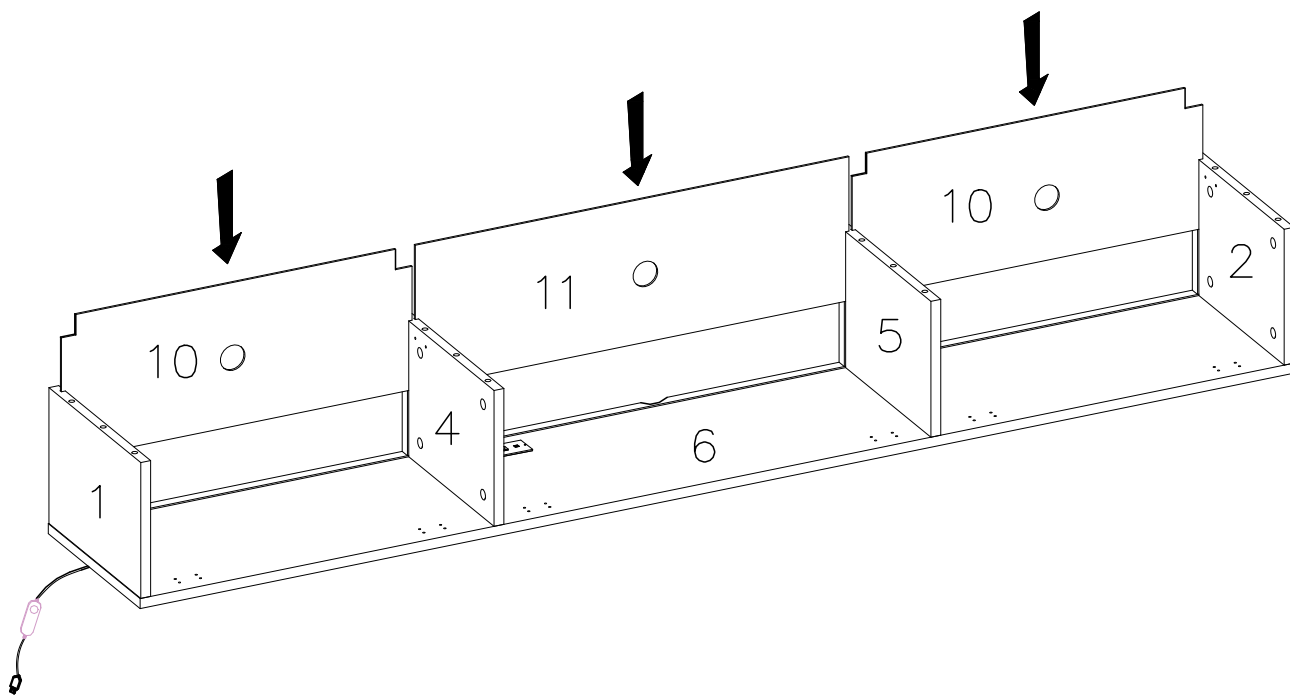
		K1 × 1 PC
	K2 × 2 PCS	
		A1 × 8 PCS

STEP 4

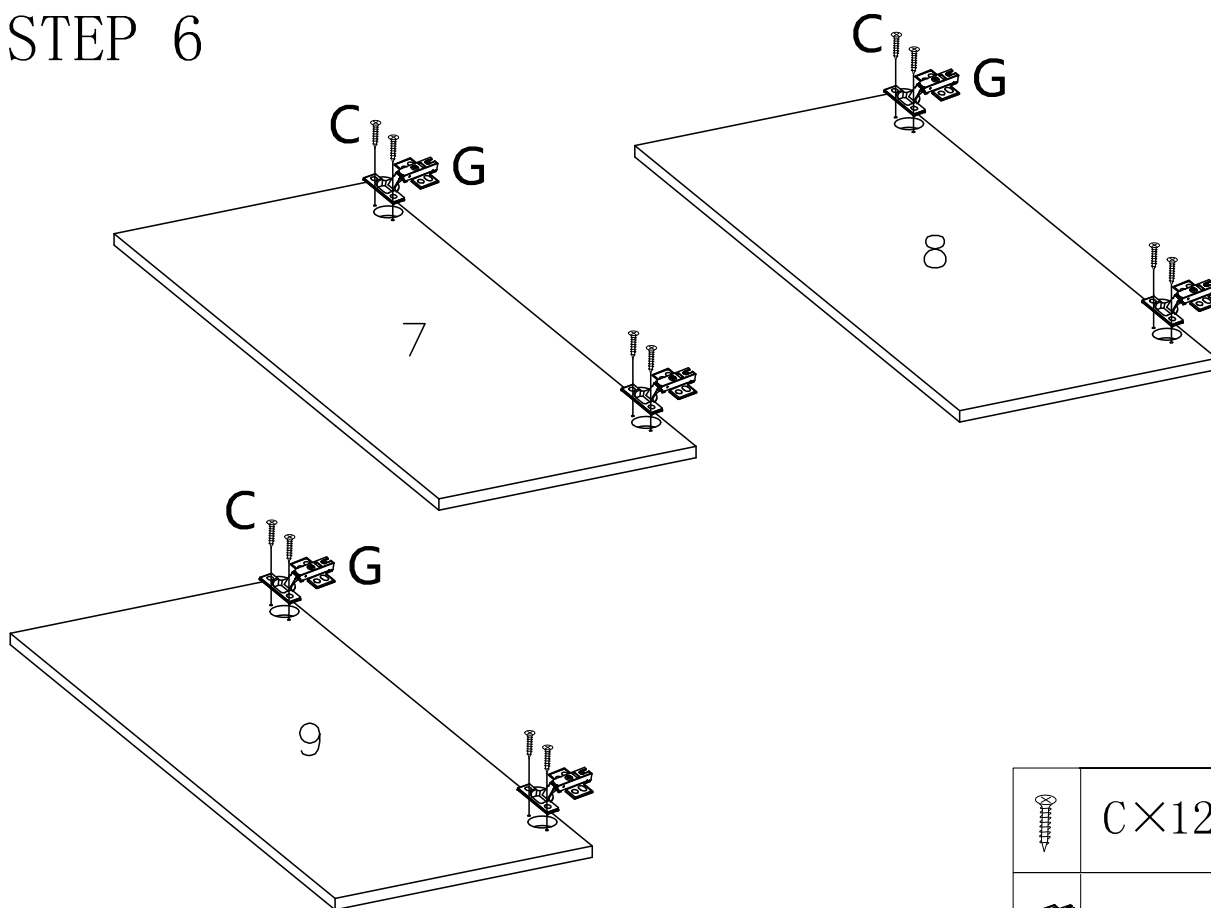




	N × 8 PCS
	A2 × 8 PCS
	B × 4 PCS

STEP 5

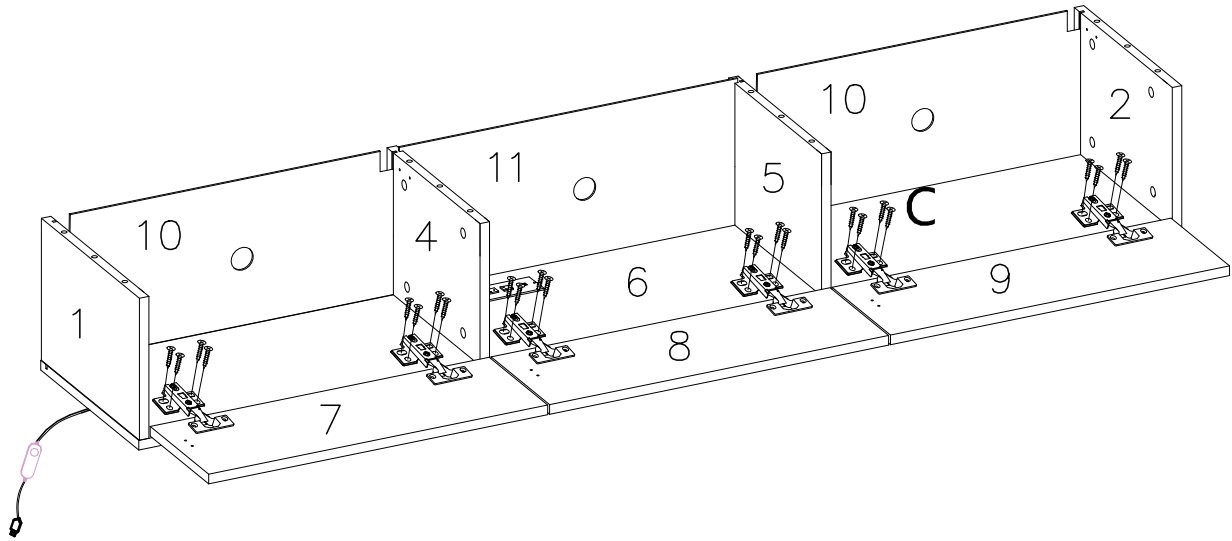



STEP 6



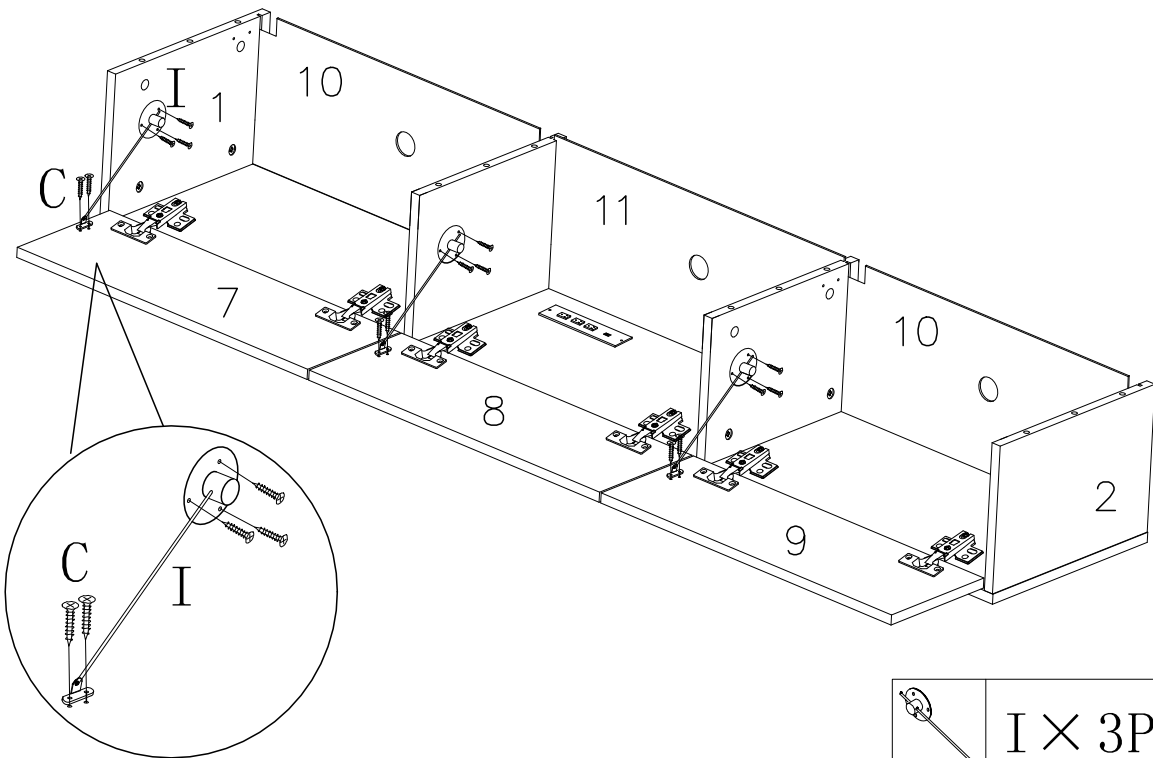
	C × 12PCS
	G × 6PCS



STEP 7






	C × 24PCS
---	-----------

STEP 8



	I × 3PCS
	C × 15PCS

STEP 9

	A2 × 8PCS
	N × 8PCS
	B × 4PCS

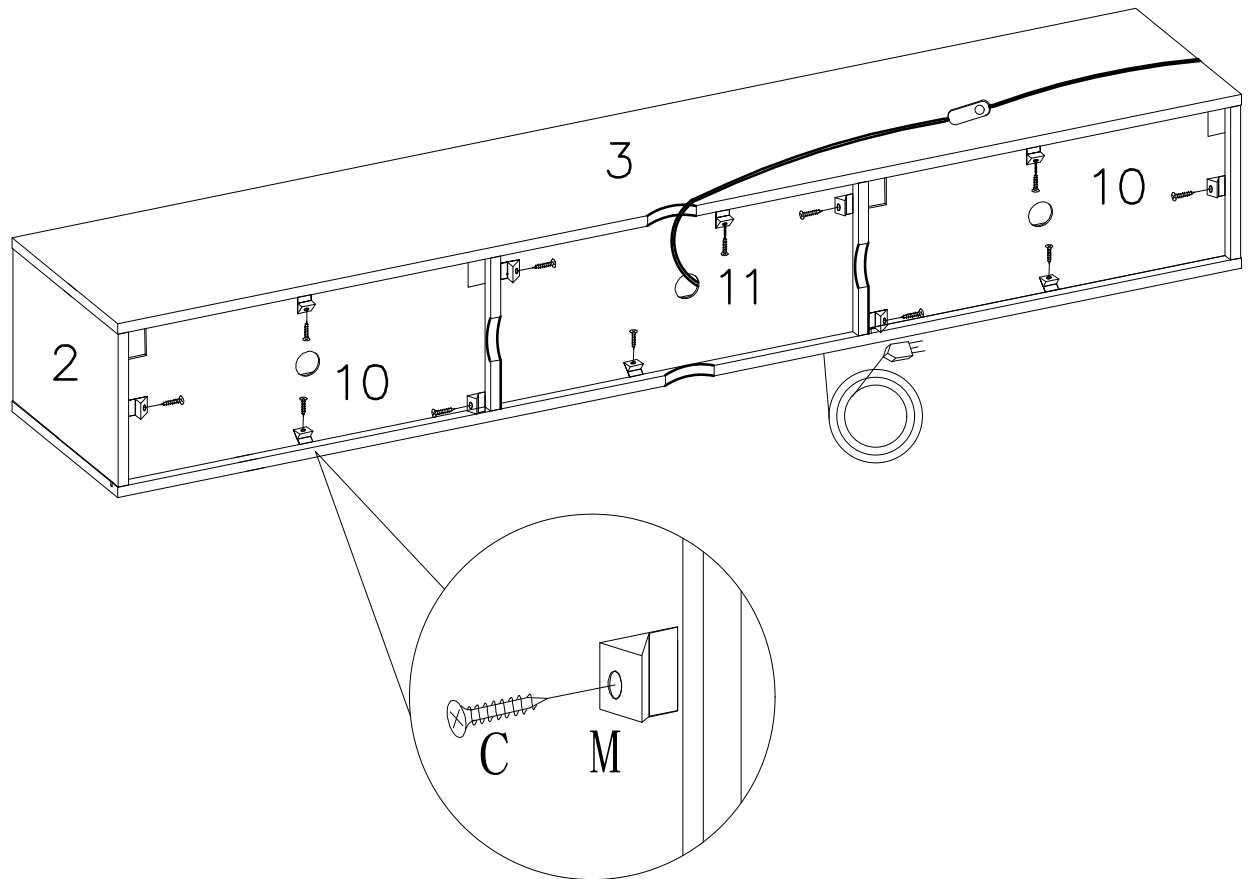
STEP 10

Cabinet door left and right fine adjustment

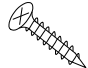
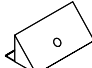
Cabinet door up and down fine adjustment

Fine-tune the gap after the cabinet door is closed

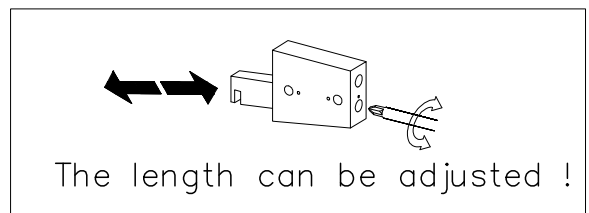
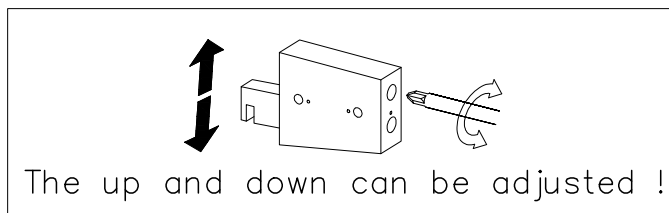
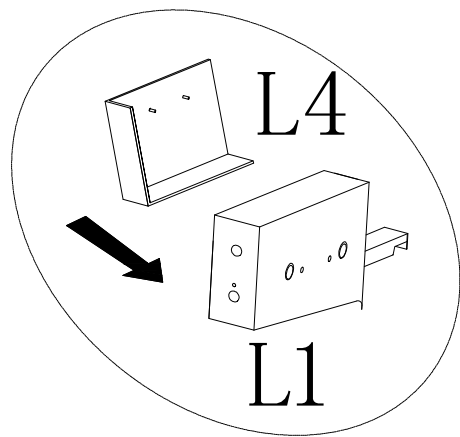
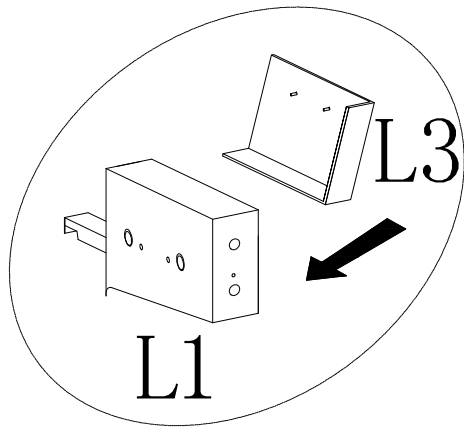
STEP 11



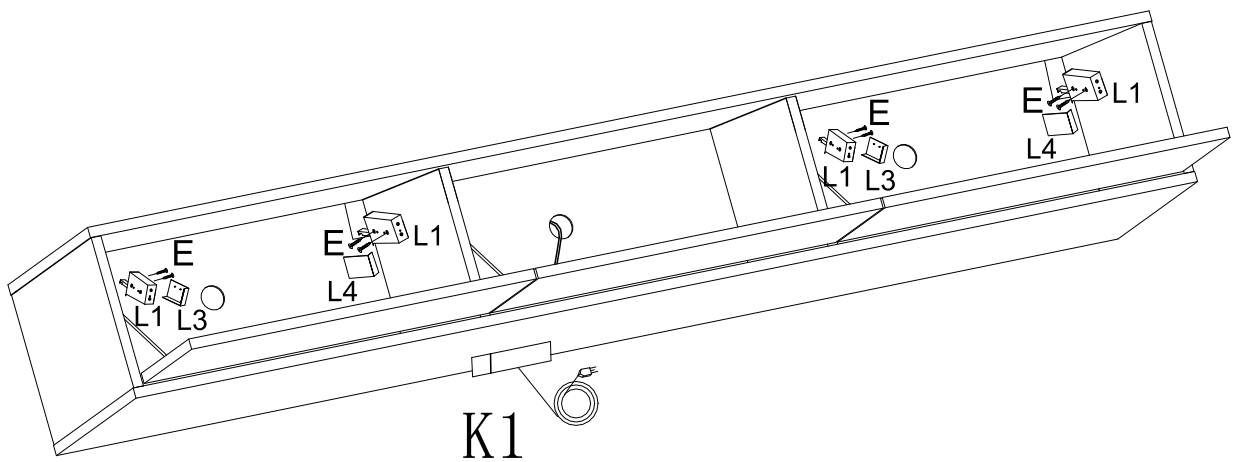
This step is very important to prevent the product from shaking



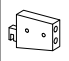

	C× 12PCS
	M× 12PCS

STEP 12



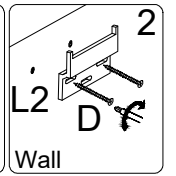
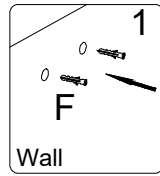
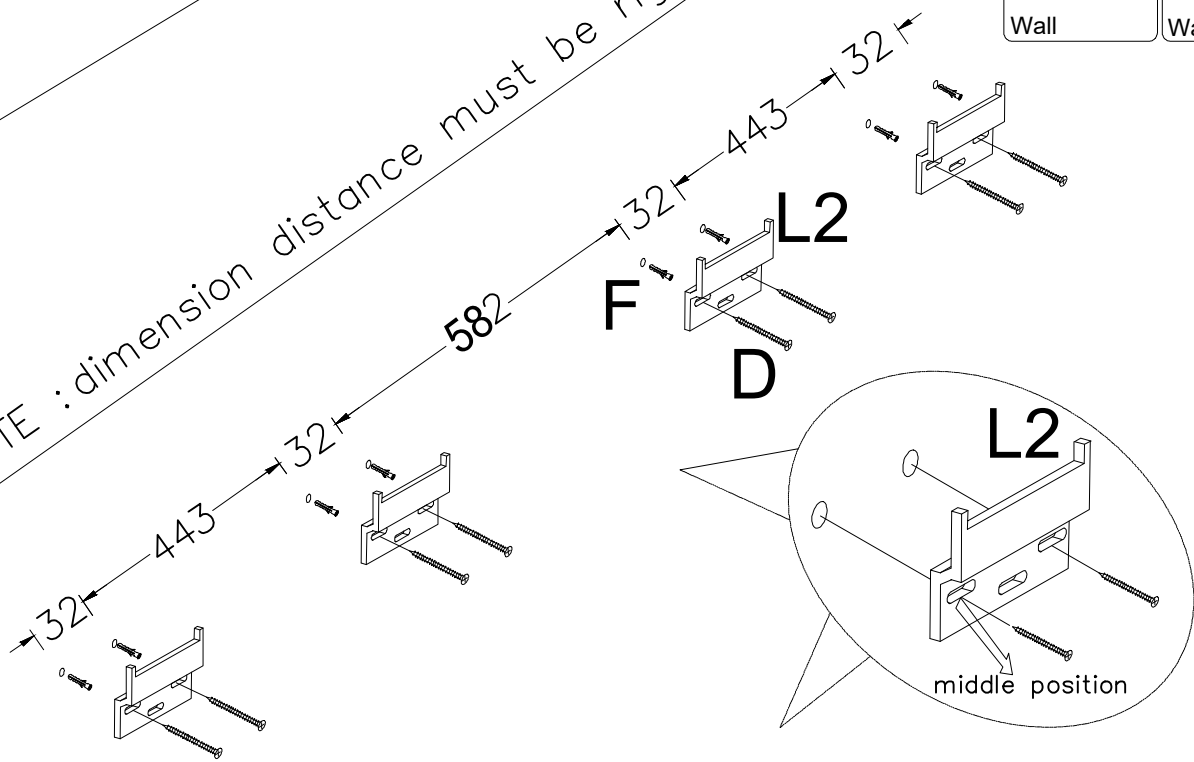
STEP 13



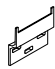


	E × 8PCS		L3 × 2PCS
	L1 × 4PCS		L4 × 2PCS

STEP 14

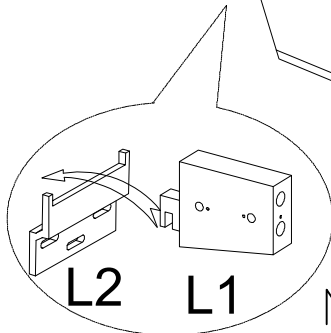
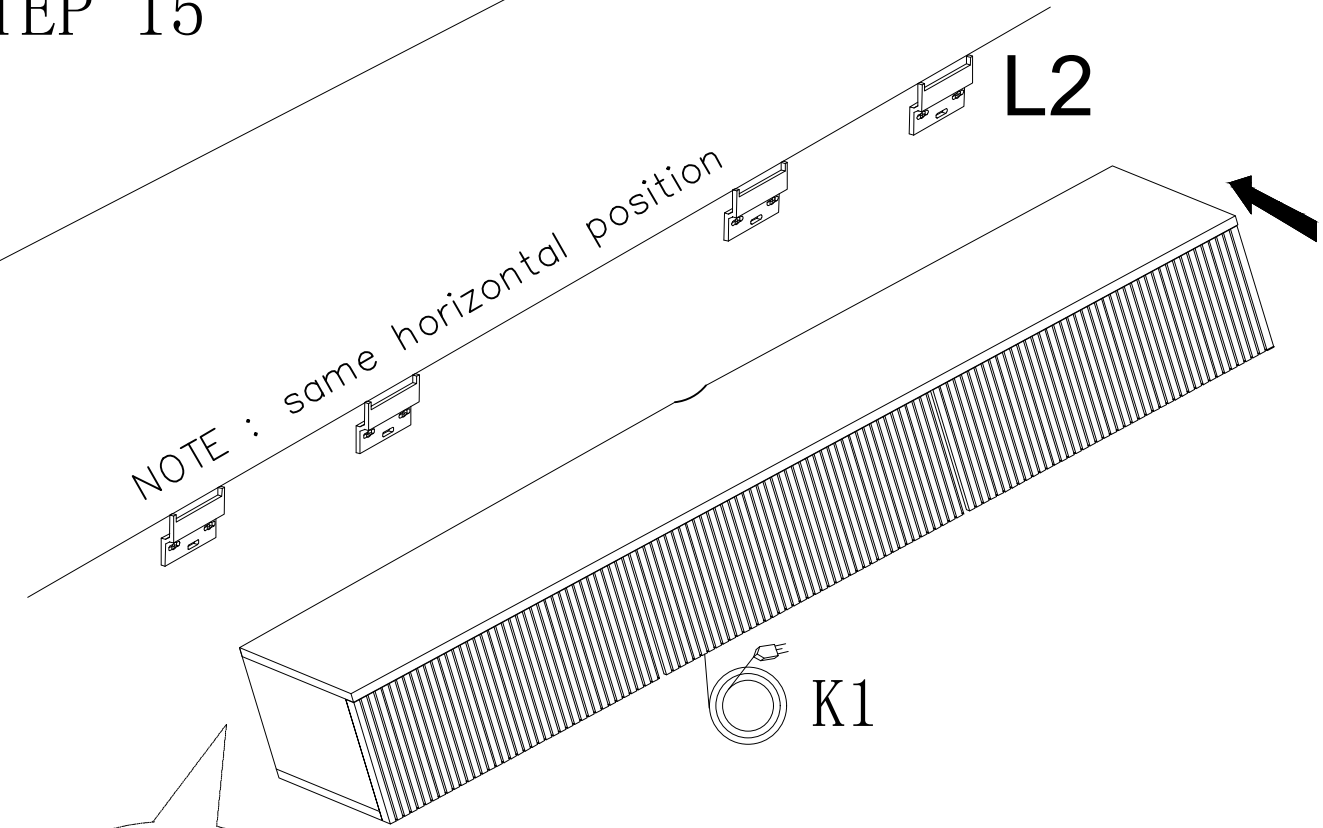
NOTE : dimension distance must be right !



	D × 8PCS		F × 8PCS		L2 × 4PCS
---	-----------------	---	-----------------	---	------------------

STEP 15

NOTE : same horizontal position



NOTE : install the cabinet on the L2 !