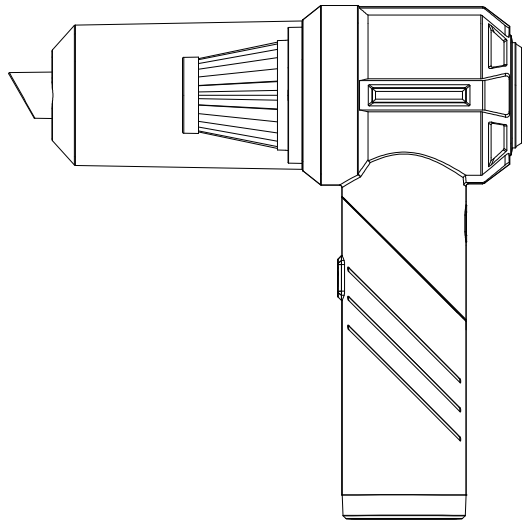
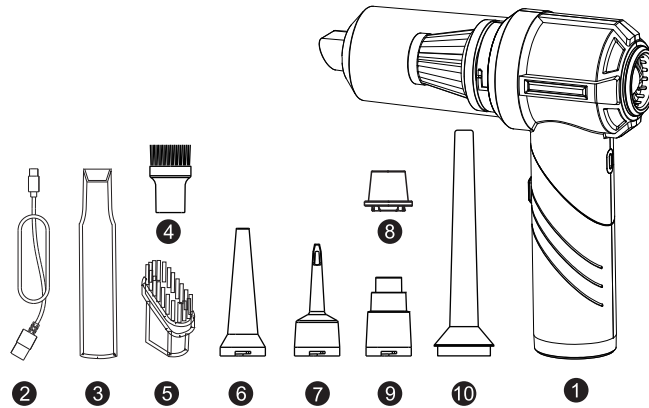


User Manual



Package List



- | | |
|-------------------------|---------------------------------|
| ① Vacuum Cleaner | ⑥ Small Mouth Inflatable Nozzle |
| ② Type-C Charging Cable | ⑦ Tip Inflatable Nozzle |
| ③ Long Flat Nozzle | ⑧ Small Exhaust Nozzle |
| ④ Brush For Blow Nozzle | ⑨ Large Mouth Inflatable Nozzle |
| ⑤ Brush For Flat Nozzle | ⑩ Long Blow Nozzle |

Package List

- * Product Type: Vacuum Cleaner
- * Material: ABS, PVC
- * Color: Silver&Black
- * Motor: Brushless Motor
- * Rated Voltage: 11.1V
- * Rated Power: 100W
- * Input: 5V/2A Type-C
- * Suction Level: 1-3Level (9000PA/15000PA/20000PA)
- * Power Supply: Built-in 6000mAh Rechargeable Battery
- * Runtime: 30Mins in level 1, 18Mins in level 2, 12Mins in level 3
- * Charged Time: About 3-3.5Hrs
- * Dust Cup Capacity: 400ML/13.5OZ
- * Type-C Charging Cable Length: About 75cm/29.5in

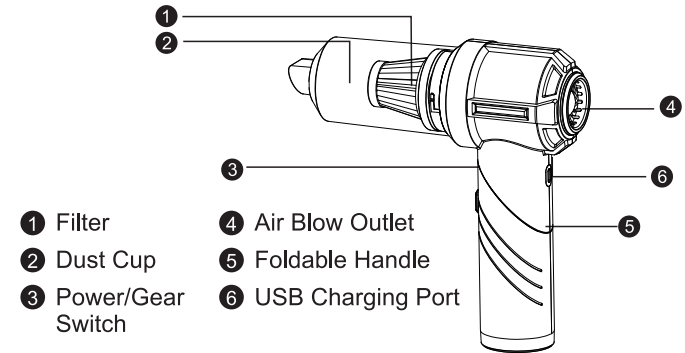
Highlights

- * Offering 3 levels of strong suction power, our powerful vacuum cleaner can instantly remove dust, crumbs, pet hair, and other large debris within seconds at home, office or cars.
- * Equipped with an array of accessories, this cordless vacuum cleaner allows you to blow, suck, and inflate for various cleaning and maintenance tasks.
- * Powered by built-in 6000mAh rechargeable batteries, this

portable cordless car vacuum supports up to 30mins running in low suction level after about 3.5hours fully charged.

- * Washable and detachable filter is effortless to maintain.
- * Foldable, cordless and lightweight design make this car vacuum portable and easy storage.

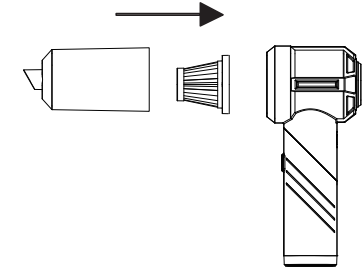
Product Structure



Installation Instruction

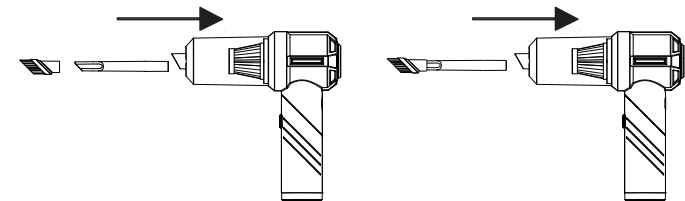
Installation of main machine dust collecting cup group

1. Install the filter cover into the dust collecting cup as shown in the figure;
2. Rotate the dust collecting cup assembly counterclockwise as shown in the figure, and a "click" sound indicates that the installation is successful;



Dust Collection Mode

Insert the two in one flat suction into the suction port of the host;

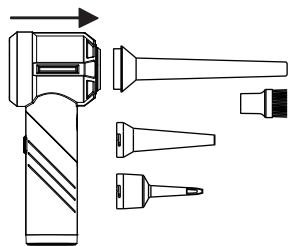


Welcome

Thanks for purchasing this **Car Vacuum Cleaner**, Please read this user manual carefully before use.

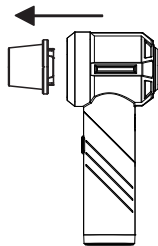
Blowing Mode

According to the arrow direction as shown in the figure, install the air nozzle on the host.

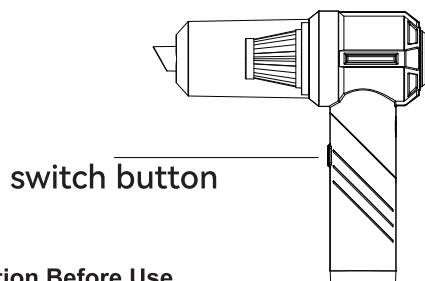


Extraction Mode

According to the arrow direction as shown in the figure, install the air extraction nozzle on the host.



Operation



Preparation Before Use

1. Charge with the included type-c cable. Make sure that all parts of the cordless vacuum cleaner have been assembled in place. Check whether the power is sufficient to ensure the normal operation of the product.
2. Do not start the machine when charging. The red indicator light of the charging line is in normal charging state, and the green light is always on when fully charged.
3. Insert the charging cable into the USB interface and the other end into the charging interface.

Charging Instructions

1. Insert the charging cable into the USB interface and the other end into the charging interface.
2. Do not start the machine when charging. The red indicator light of the charging line is in normal charging state, and the green light is always on when fully charged.

Start-Up

1. Press the switch button 3 seconds, the main machine starts to the standard working mode.
2. Press again to switch suction gear. Green light means level 1 (9000PA), yellow light means level 2(15000PA), red light means level3(20000PA).

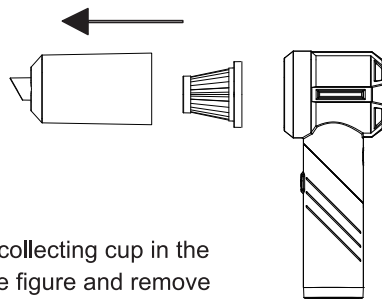
Close

Press the switch button 3 seconds to close.

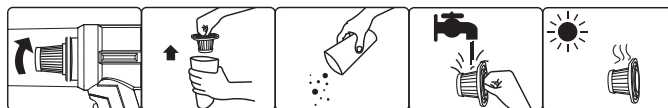
Be Careful

- * When using a new battery or storing a battery for the first time for a longtime, please fully charge the battery.
- * Please charge for more than 3 hours before the first use.
- * Please fully charge before long-term storage. If the battery enters the power shortage state, the machine will not be able to charge, affecting normal use
- * Please read all contents of this manual carefully before using this product.
- * Keep this manual properly. If you transfer the product to a third party for use, please attach this manual with the machine. Any operation inconsistent with the instructions in the manual may cause serious personal injury, property loss or damage to the product itself.
- * Our company will not bear any legal liability for the loss caused by the failure to operate in accordance with the product instructions.
- * Please read the instructions that are very important to your personal safety carefully to avoid accidents and possible damage to the product.
- * Please be very careful when working with the product to avoid danger.
- * Keep the product properly and keep it out of the reach of children and people who are unable to judge the environmental risk.
- * Do not store the product at a high place to avoid the risk of accidental fall.

Clean & Maintenance



1. First, rotate the dust collecting cup in the direction shown in the figure and remove it from the host;



2. Take out the filter screen in the dust bin and dump the garbage into the garbage can
3. Separate the filter cover and dust collecting cup in sequence, and clean the filter cover with a brush. The dust collecting cup can be washed and dried before use
4. To reinstall the dust bin, put the filter screen into the dust bin and rotate and tighten it in the opposite direction according to step 1 above.

Troubleshooting

Product Name	Possible Causes	Treatment Method
Machine Inoperative	1.Insufficient battery current	Timely charging
	2.Machine power switch not activated	Start power switch
Unable To Charge	1.Check whether the adapter is 5V	Select 5V adapter
	2.Circuit board broken	Contact customer service
Machine Suction Decreases	1.The filter screen or filter cover is blocked	Timely cleaning
	2.Low battery	Timely charging
	3.Machine suction outlet blocked	Clean the suction port
Excessive Noise	1.Dust collecting cup is full	Clean the dust collecting cup
	2.The suction port of the machine is blocked	Clean the suction port
	3.Machine suction outlet blocked	Clean filter screen
	4.Filter assembly not installed	Install the filter assembly