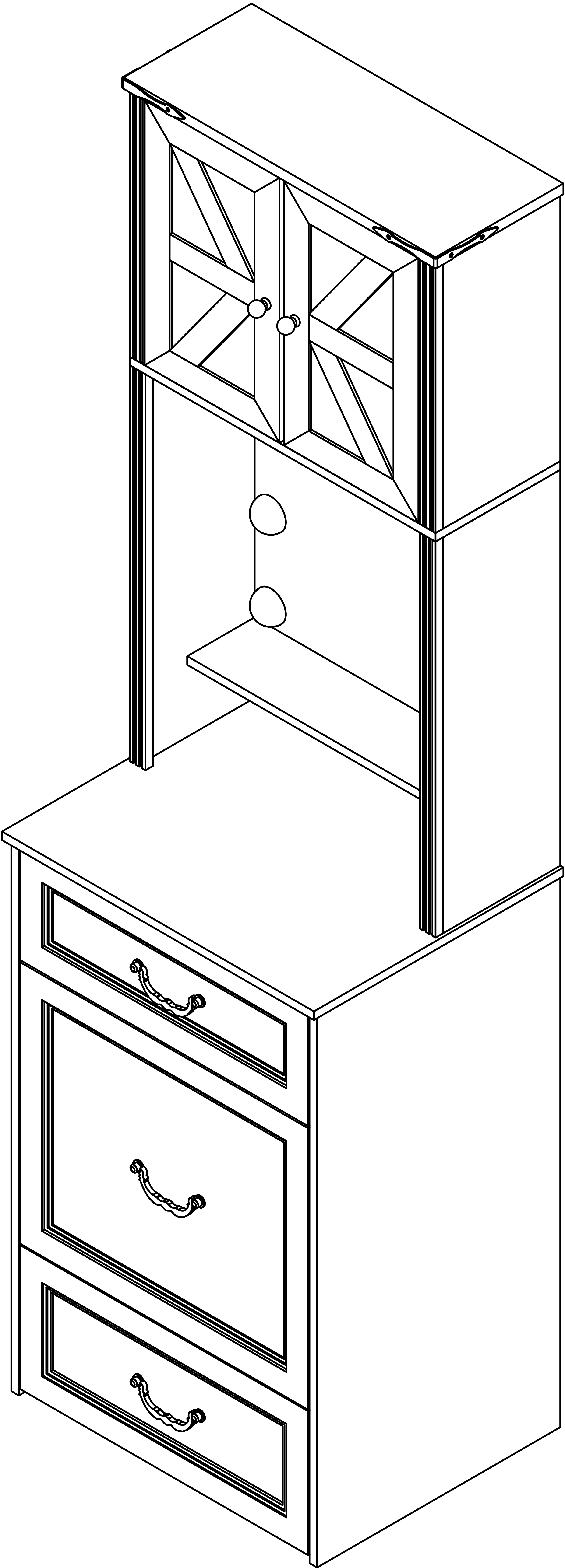
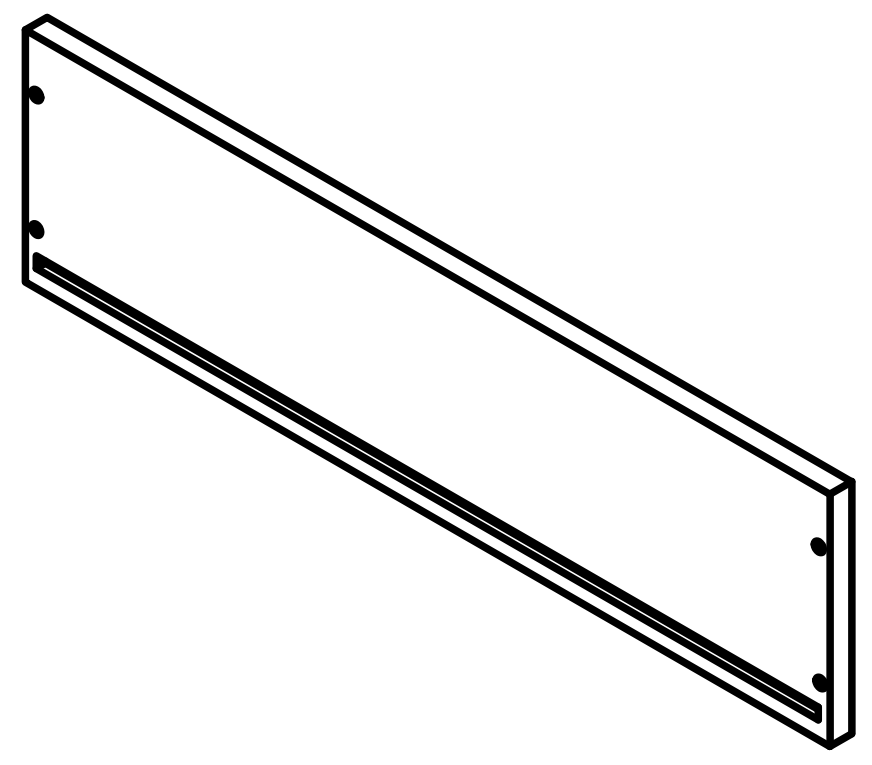


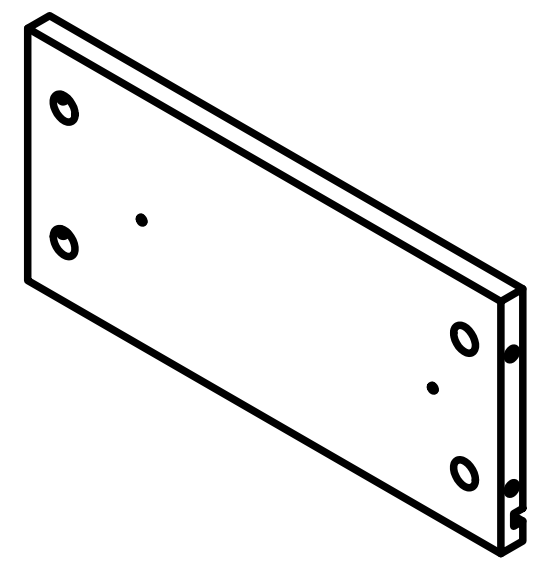
85099 Product Installation Instructions



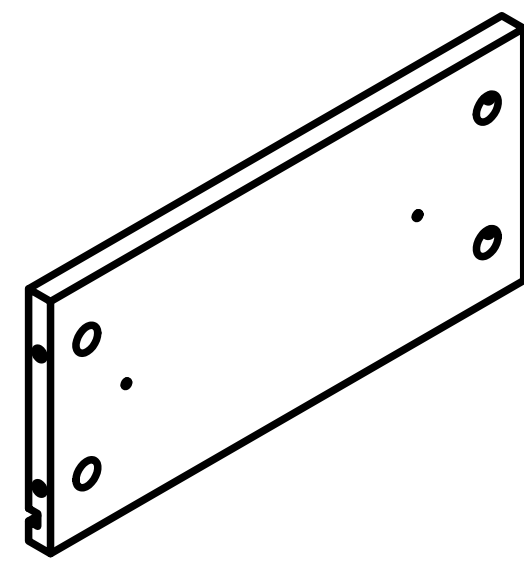
SY



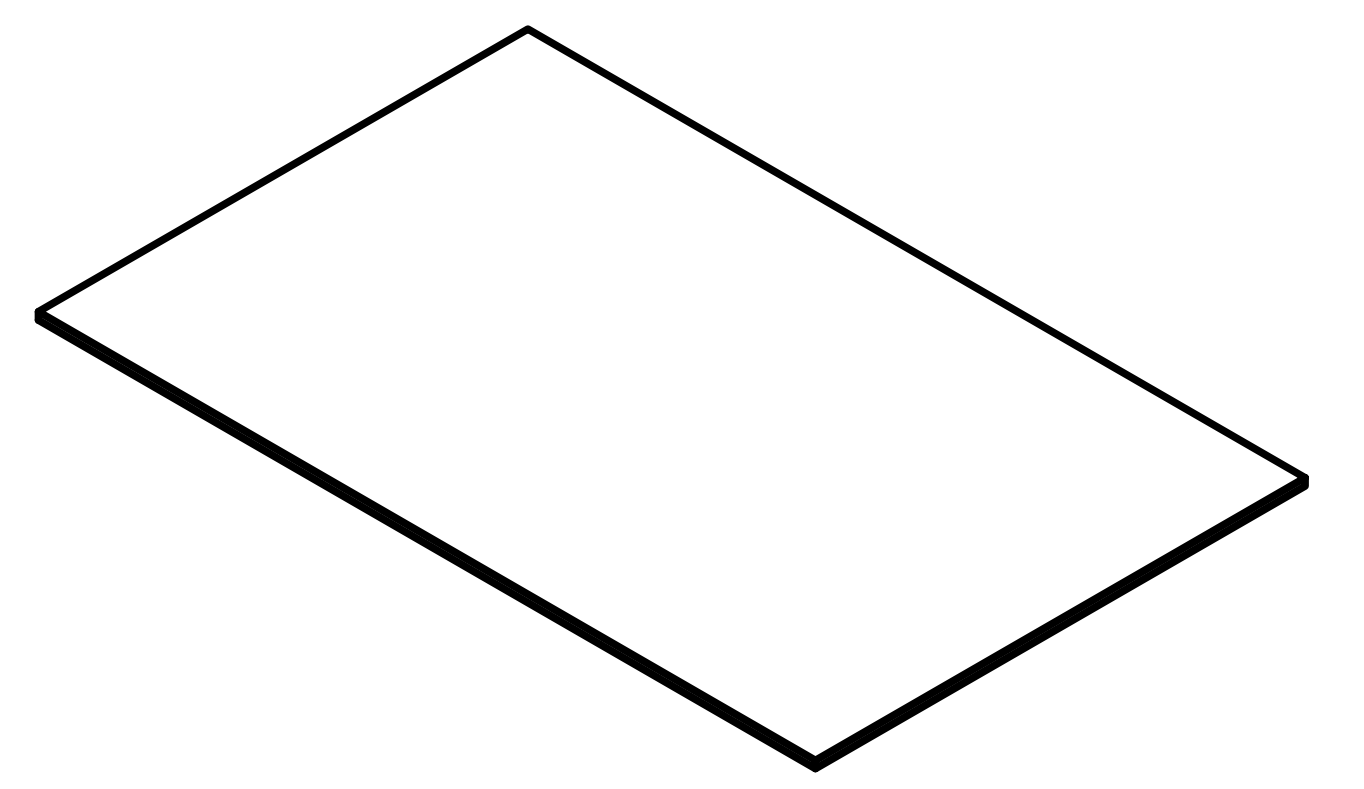
1x1



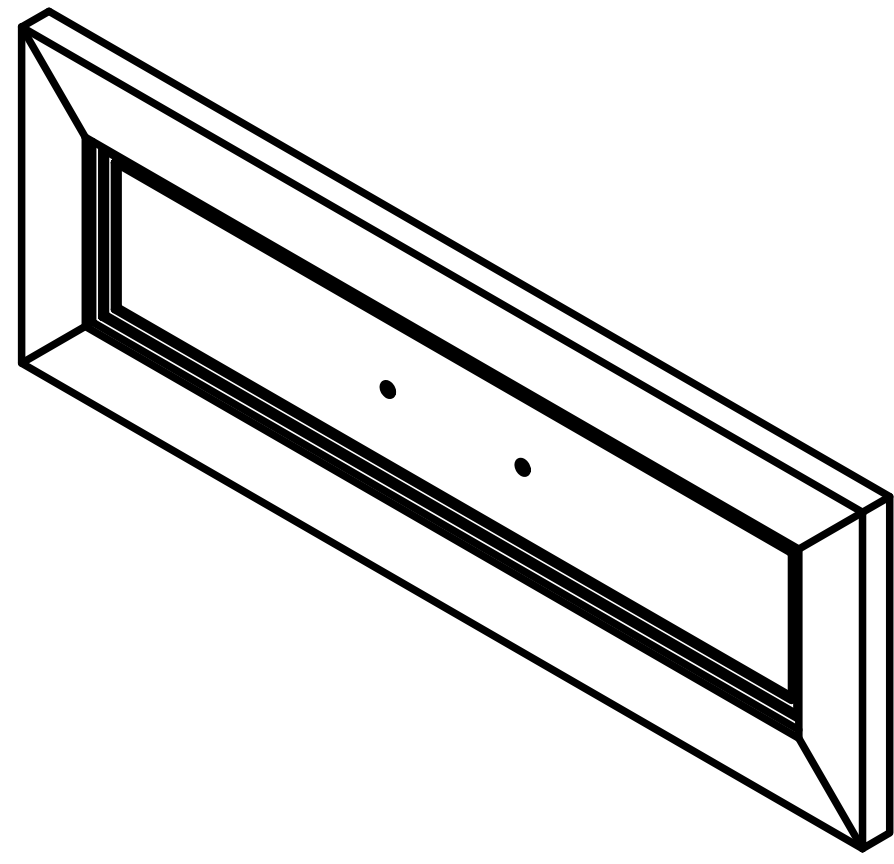
2x2



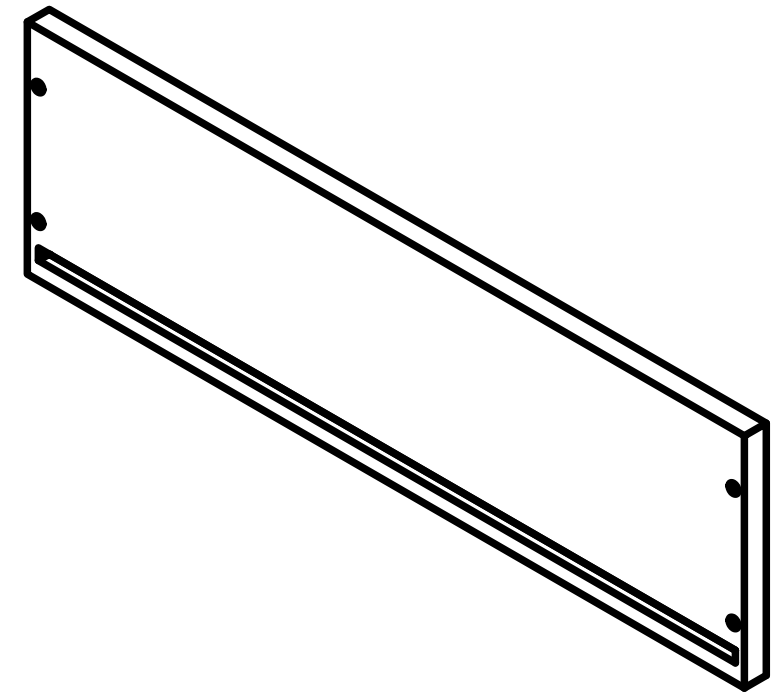
3x2



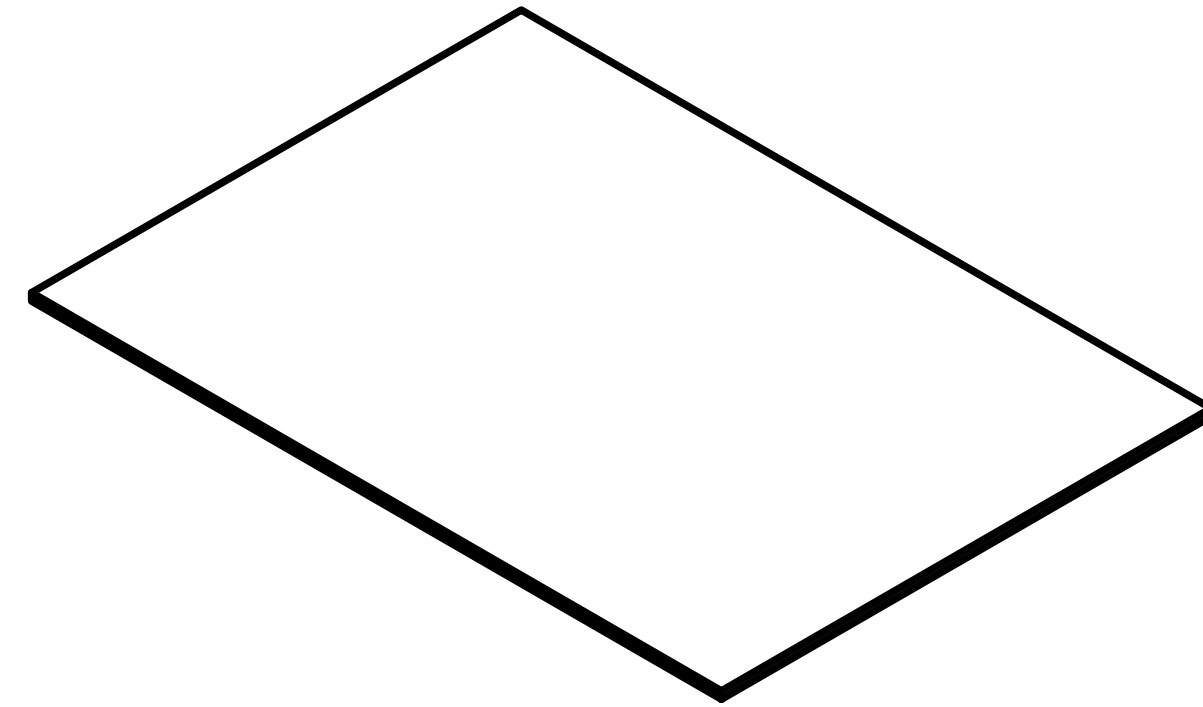
4x1



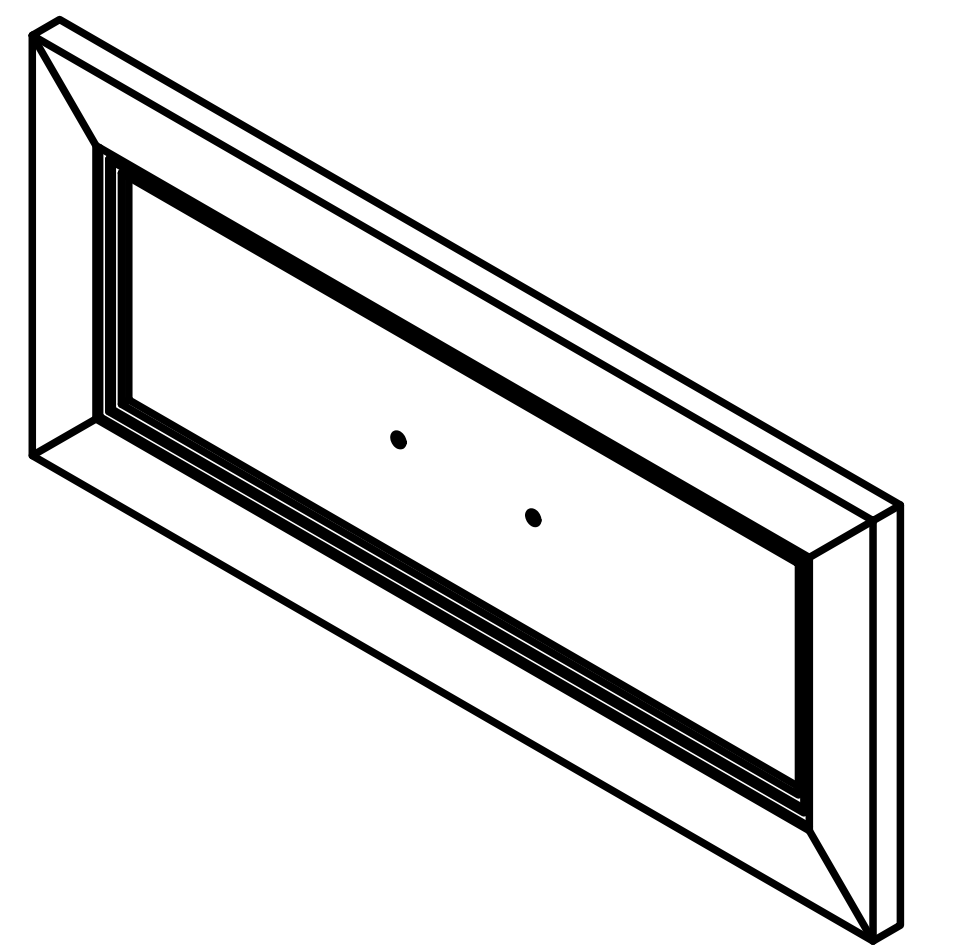
5x1



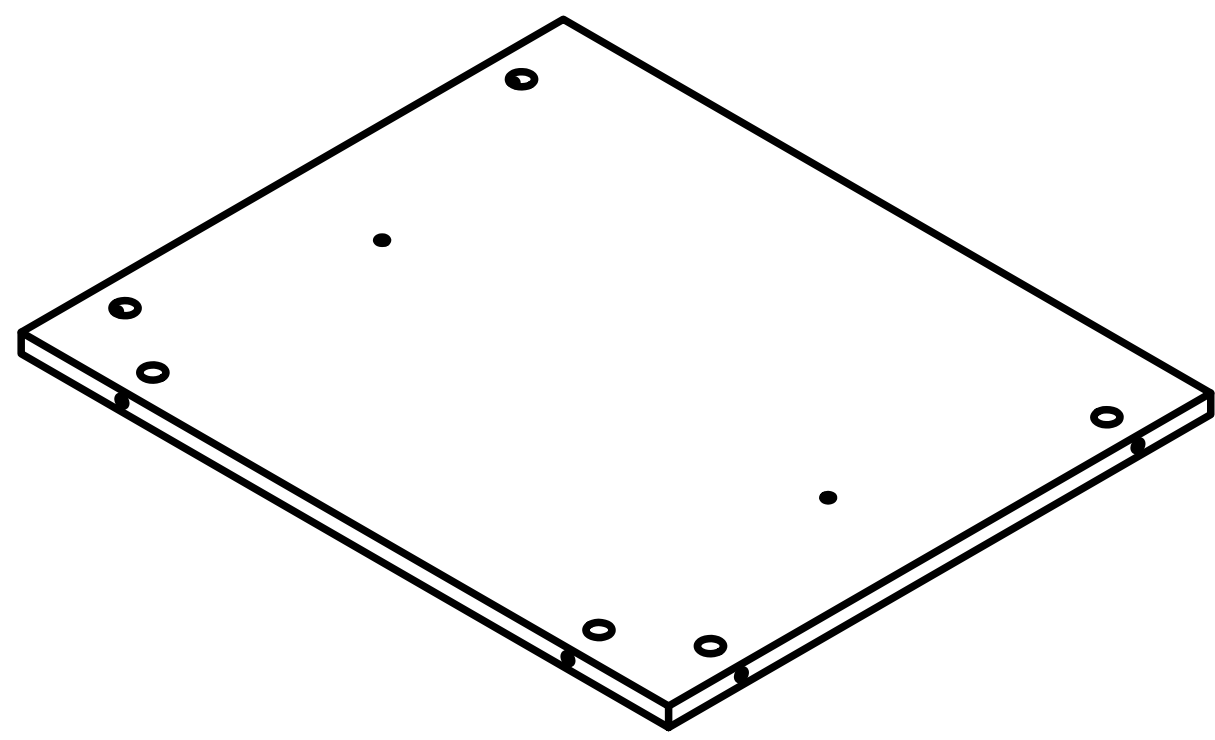
6x1



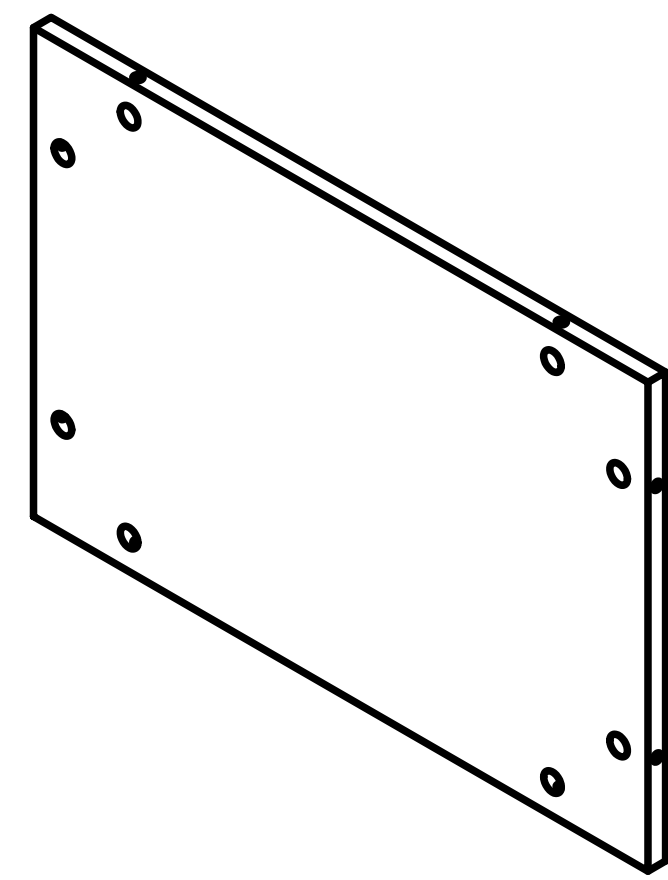
7x1



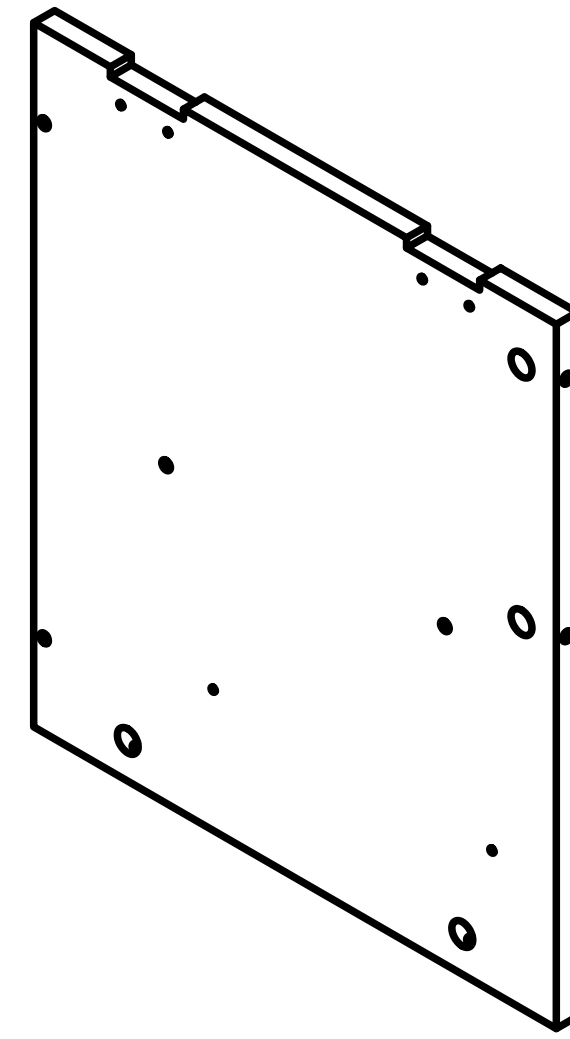
8x1



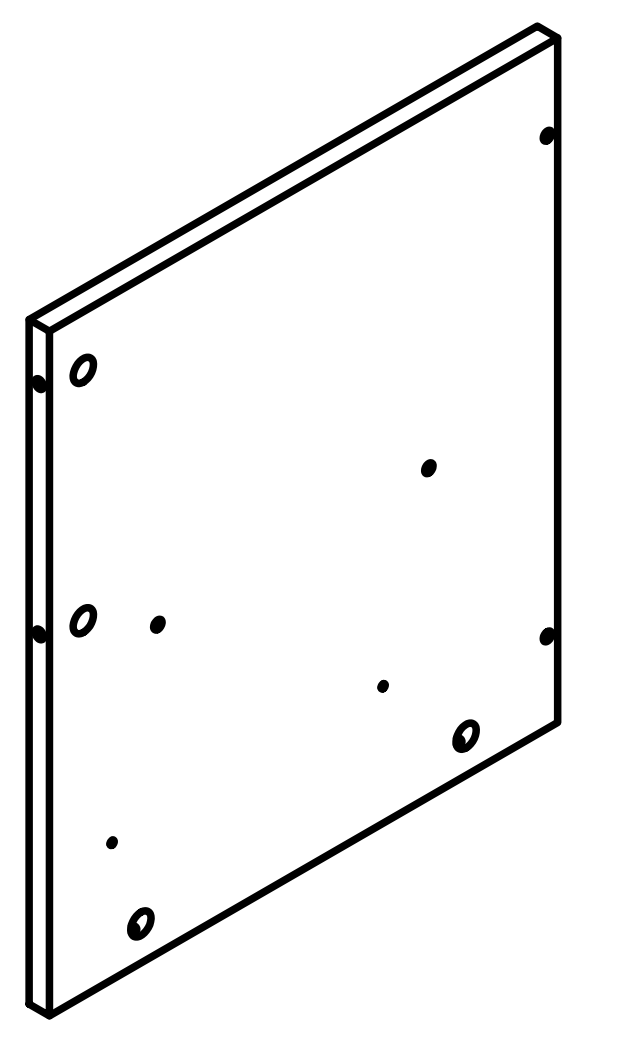
9x1



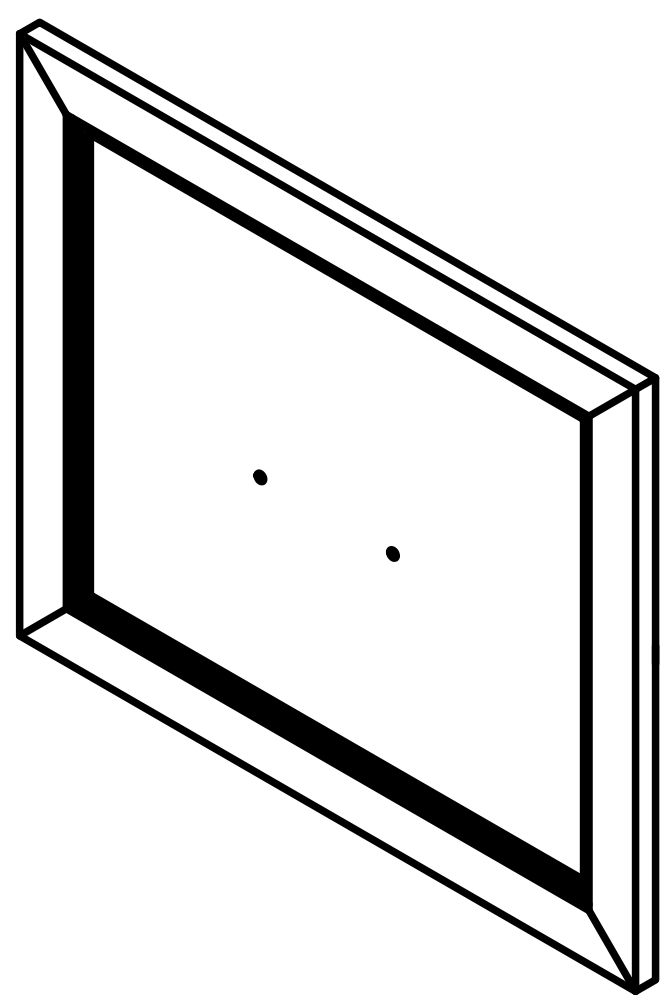
10x1



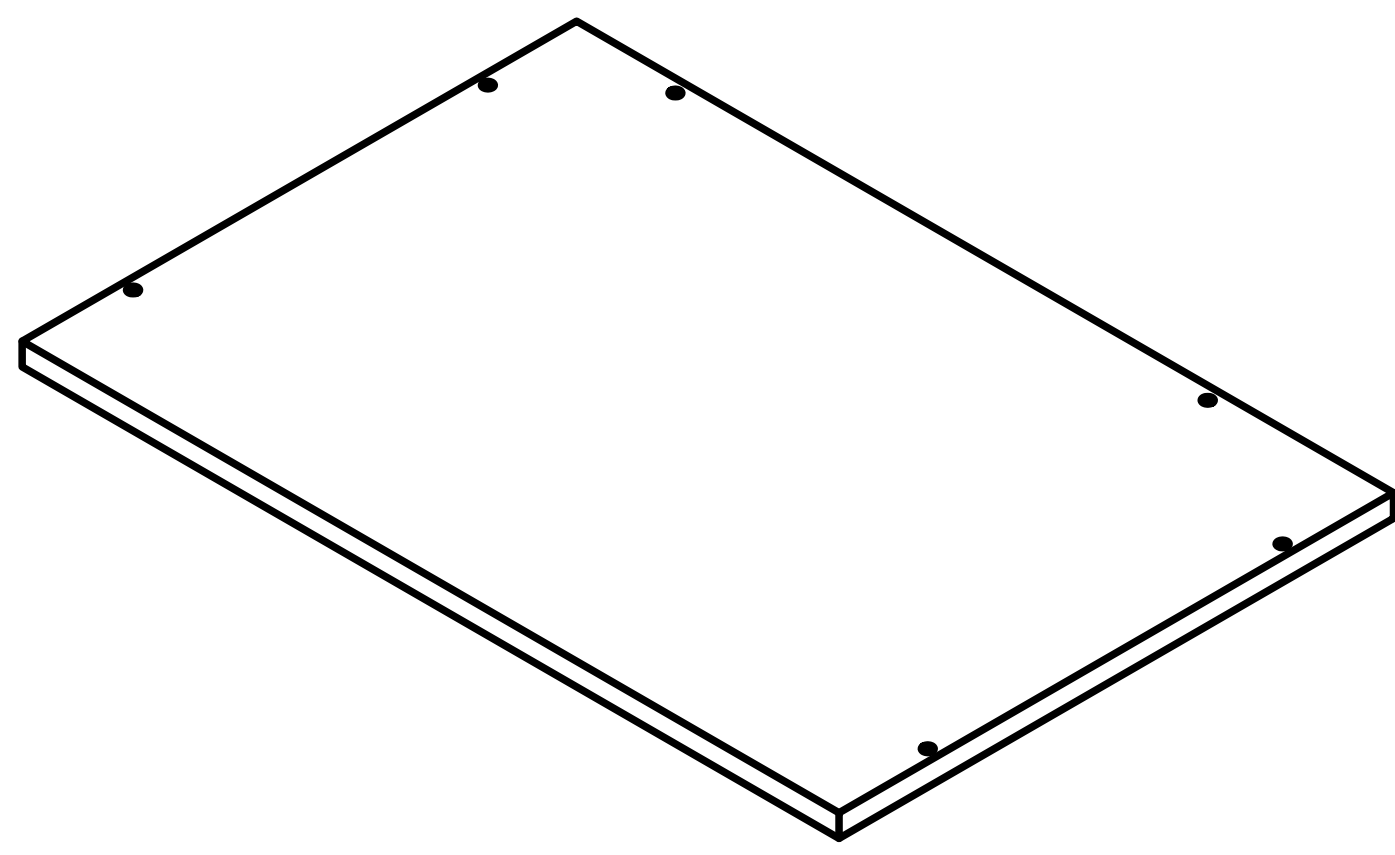
11x1



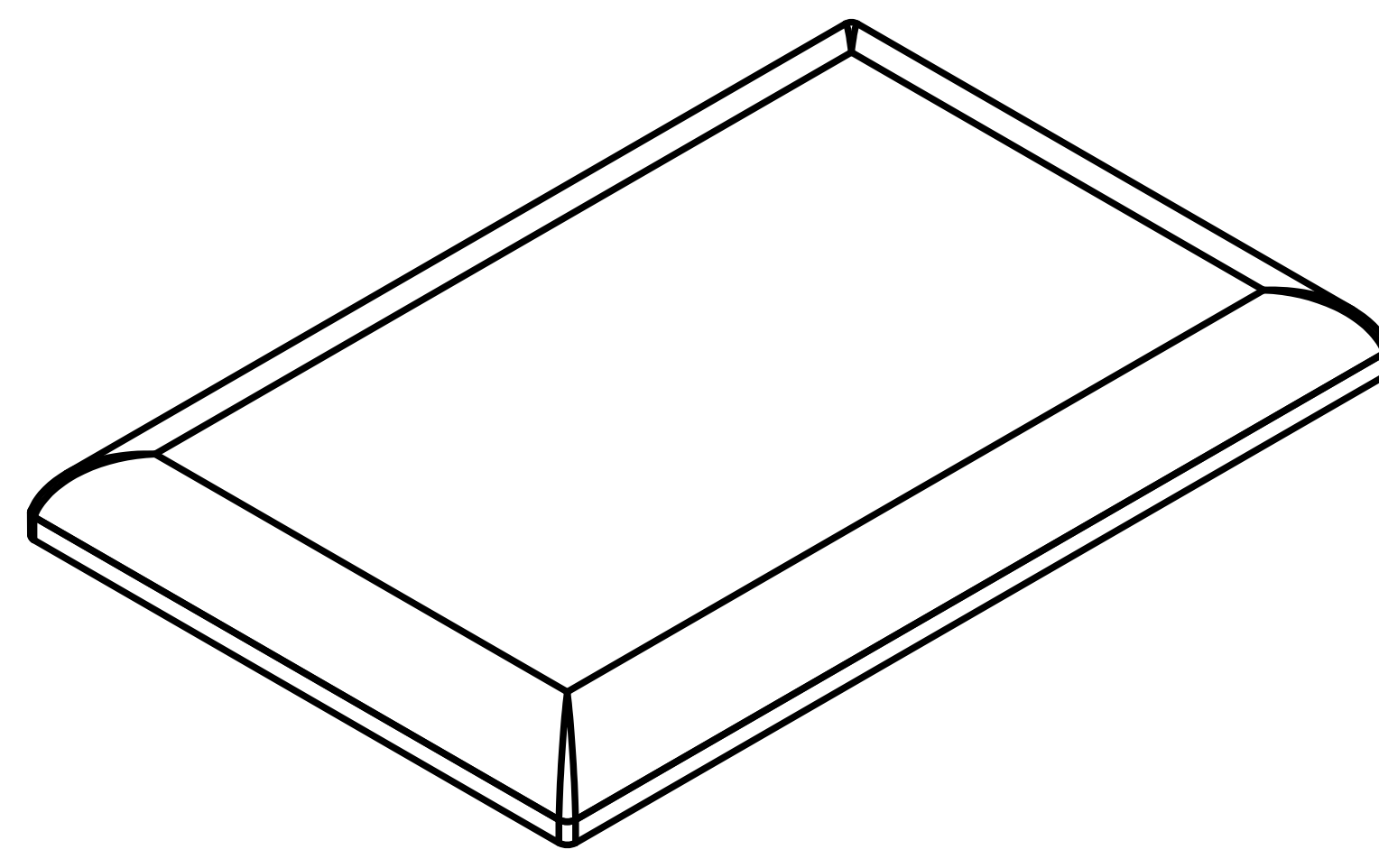
12x1



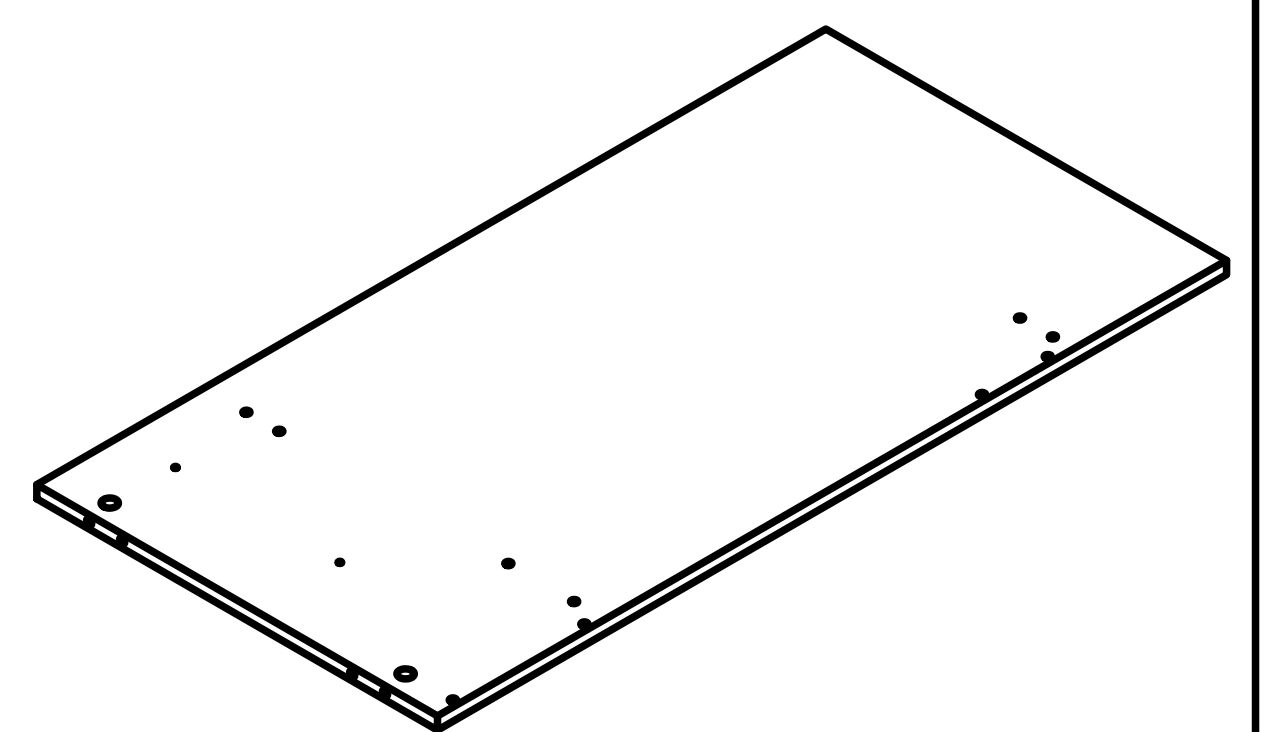
13x1



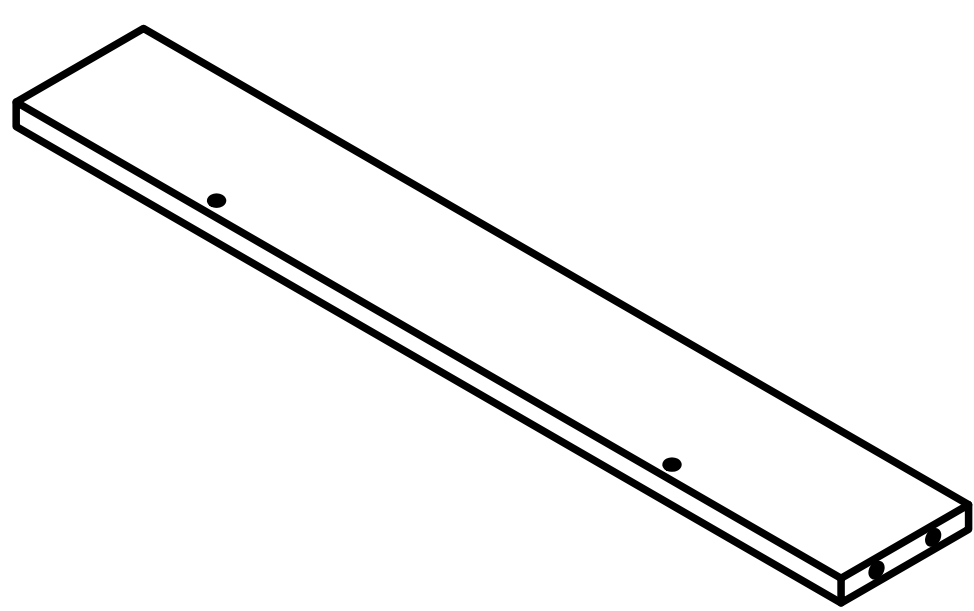
14x1



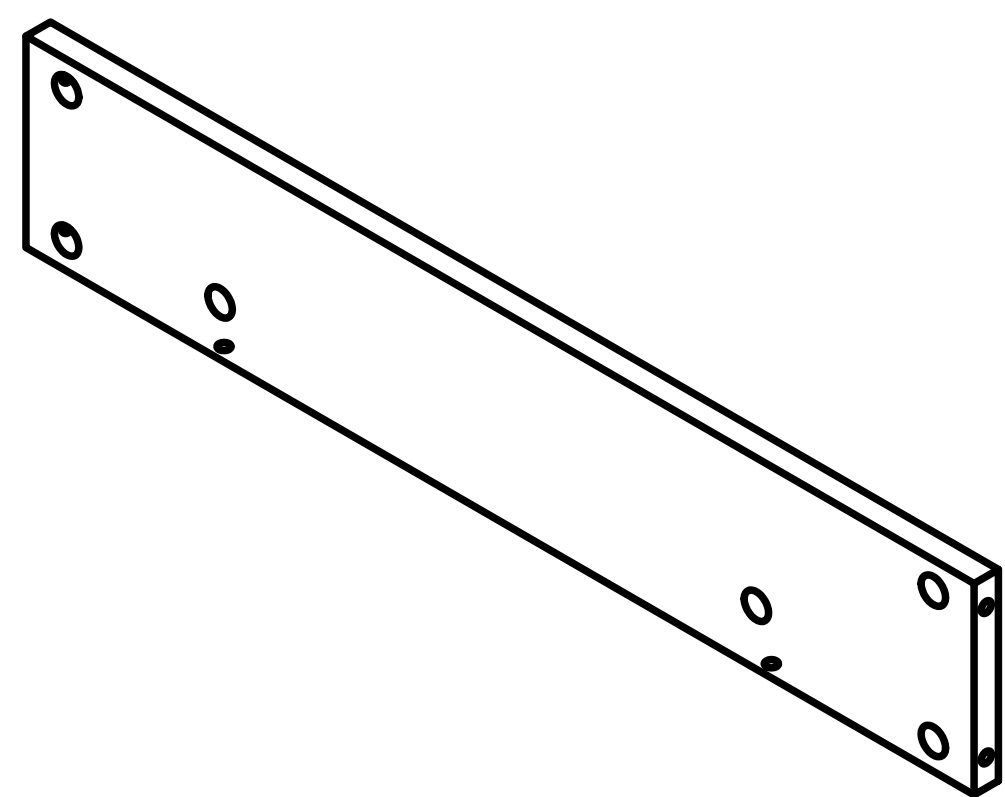
15x1



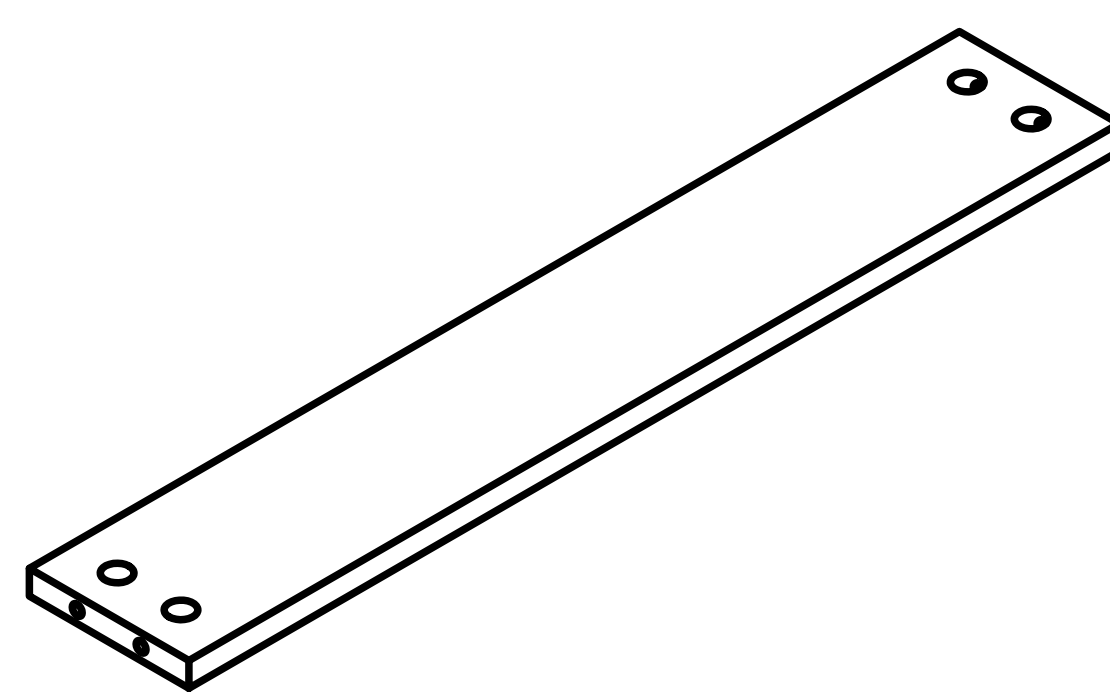
16x1



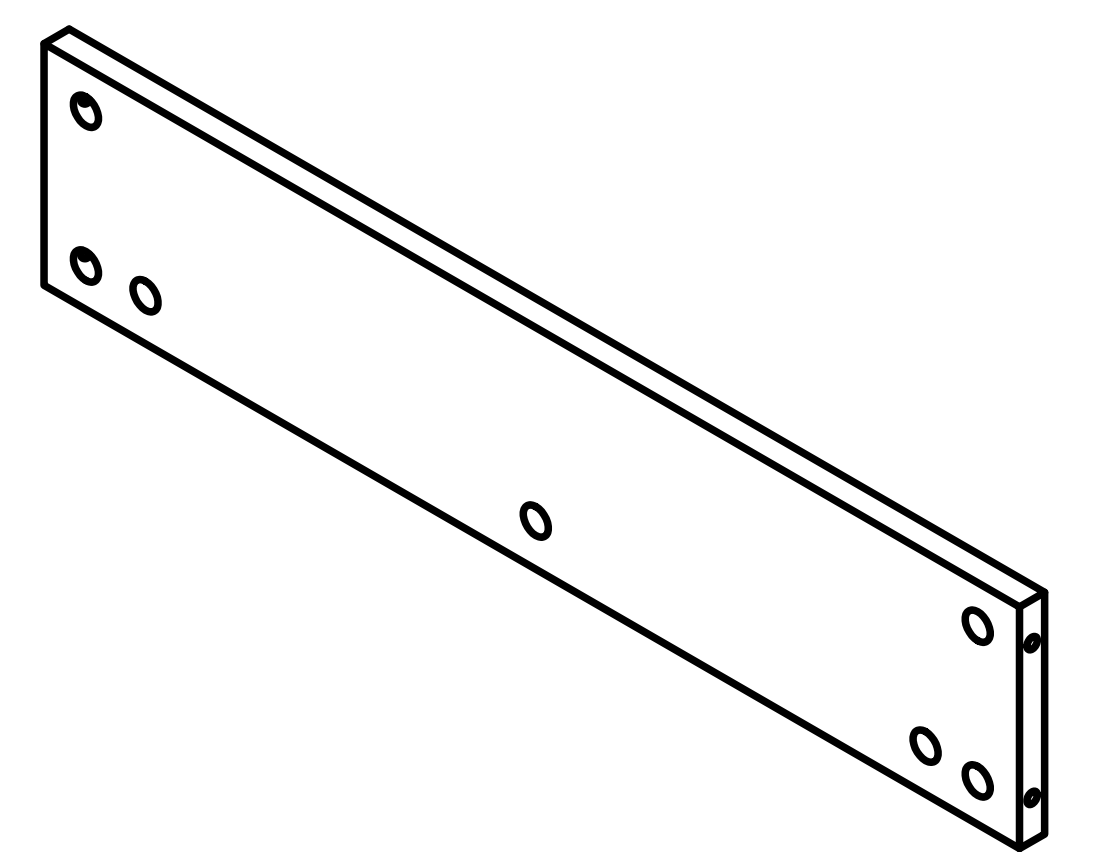
17x1



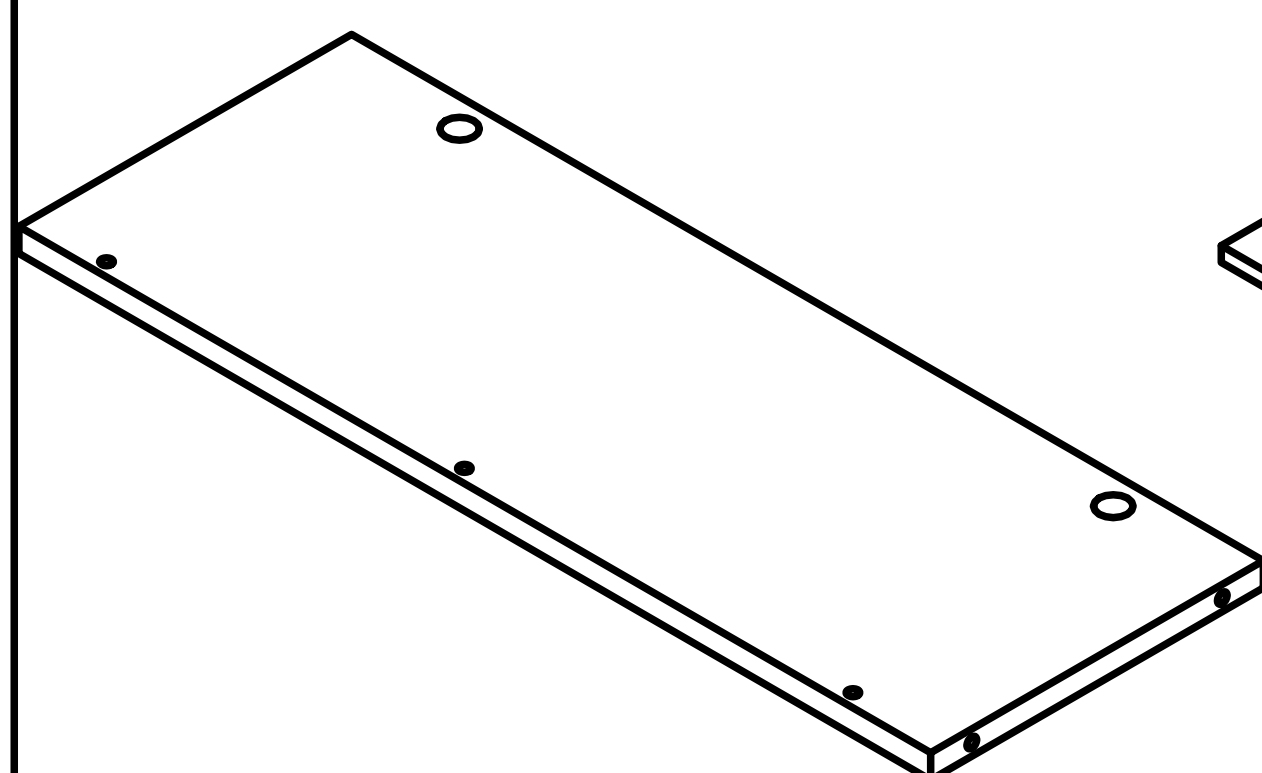
18x1



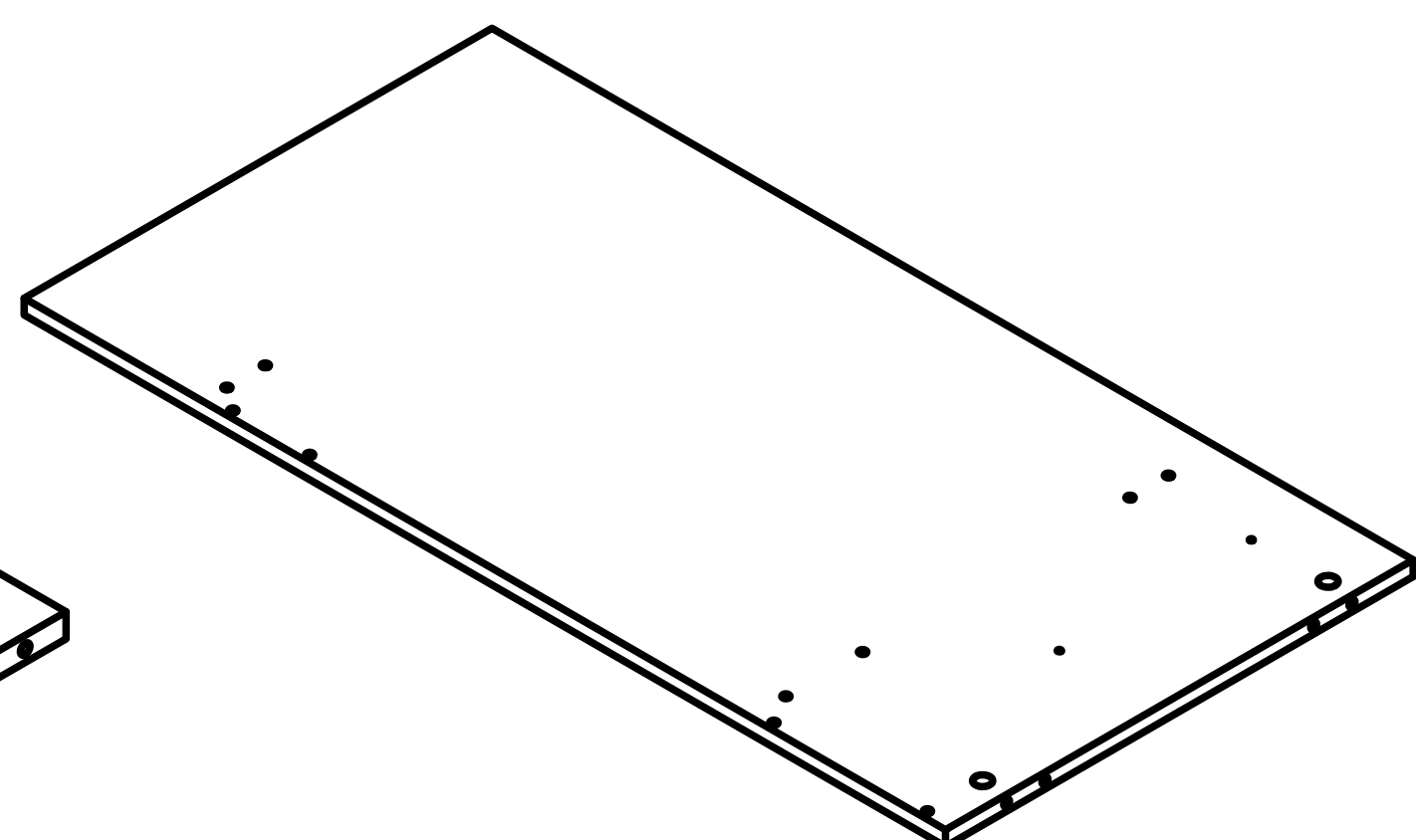
19x1



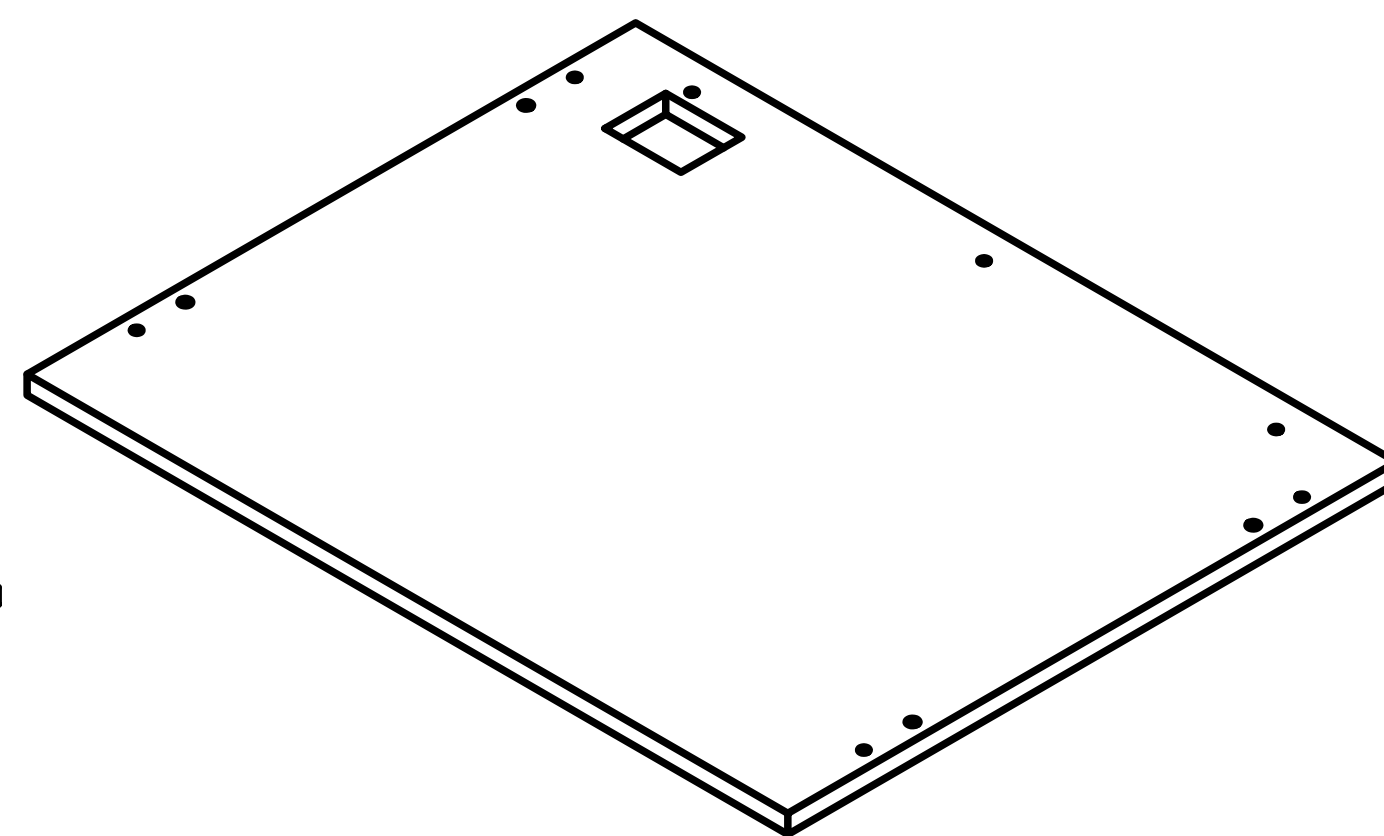
20x1



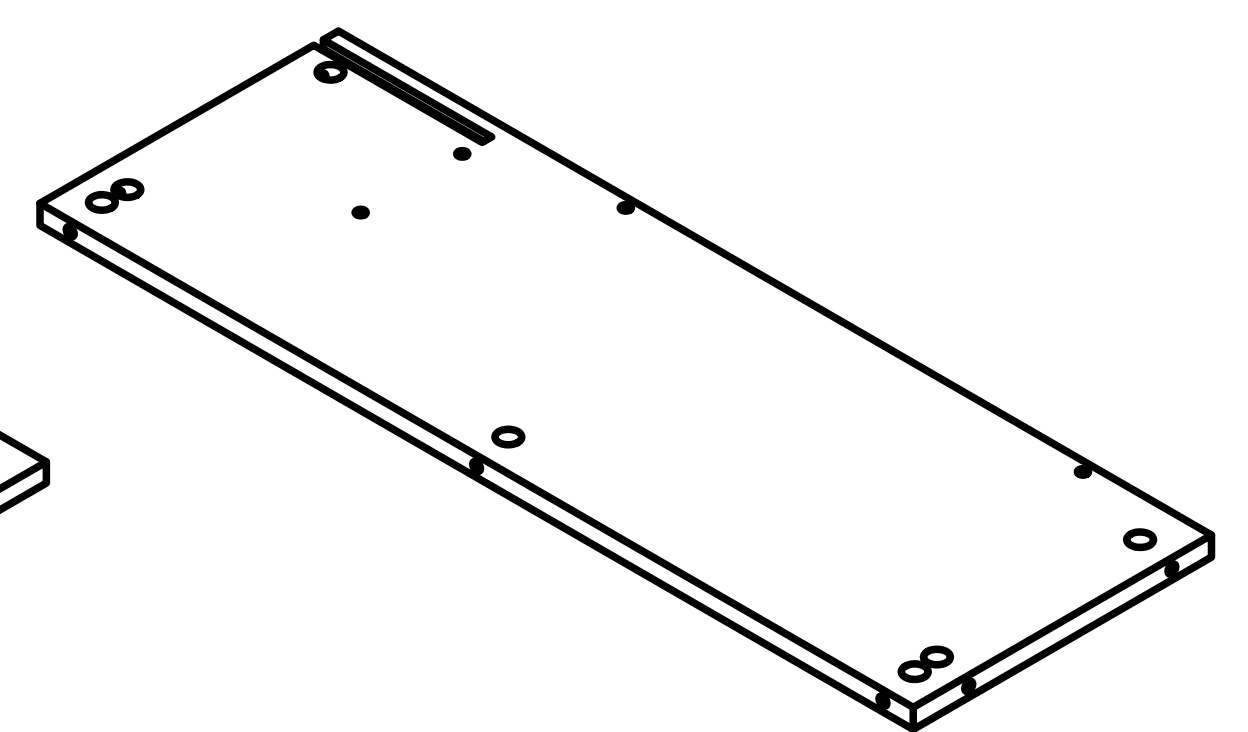
21x1



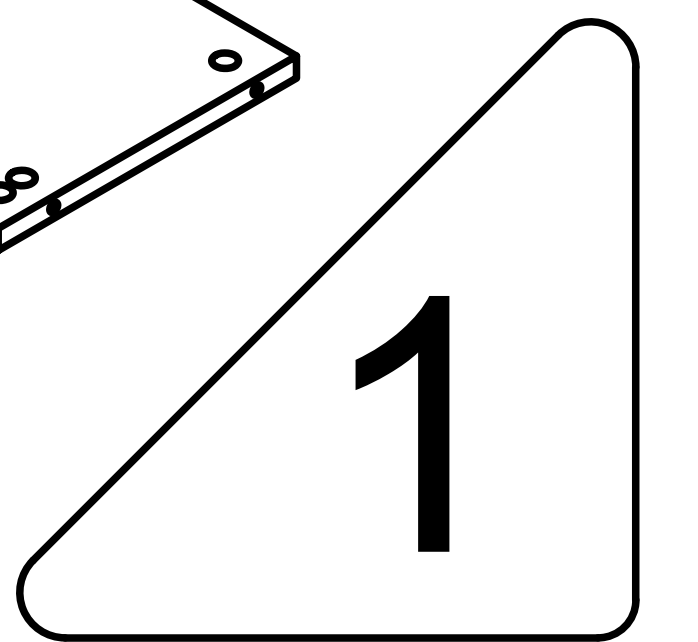
22x1



23x1



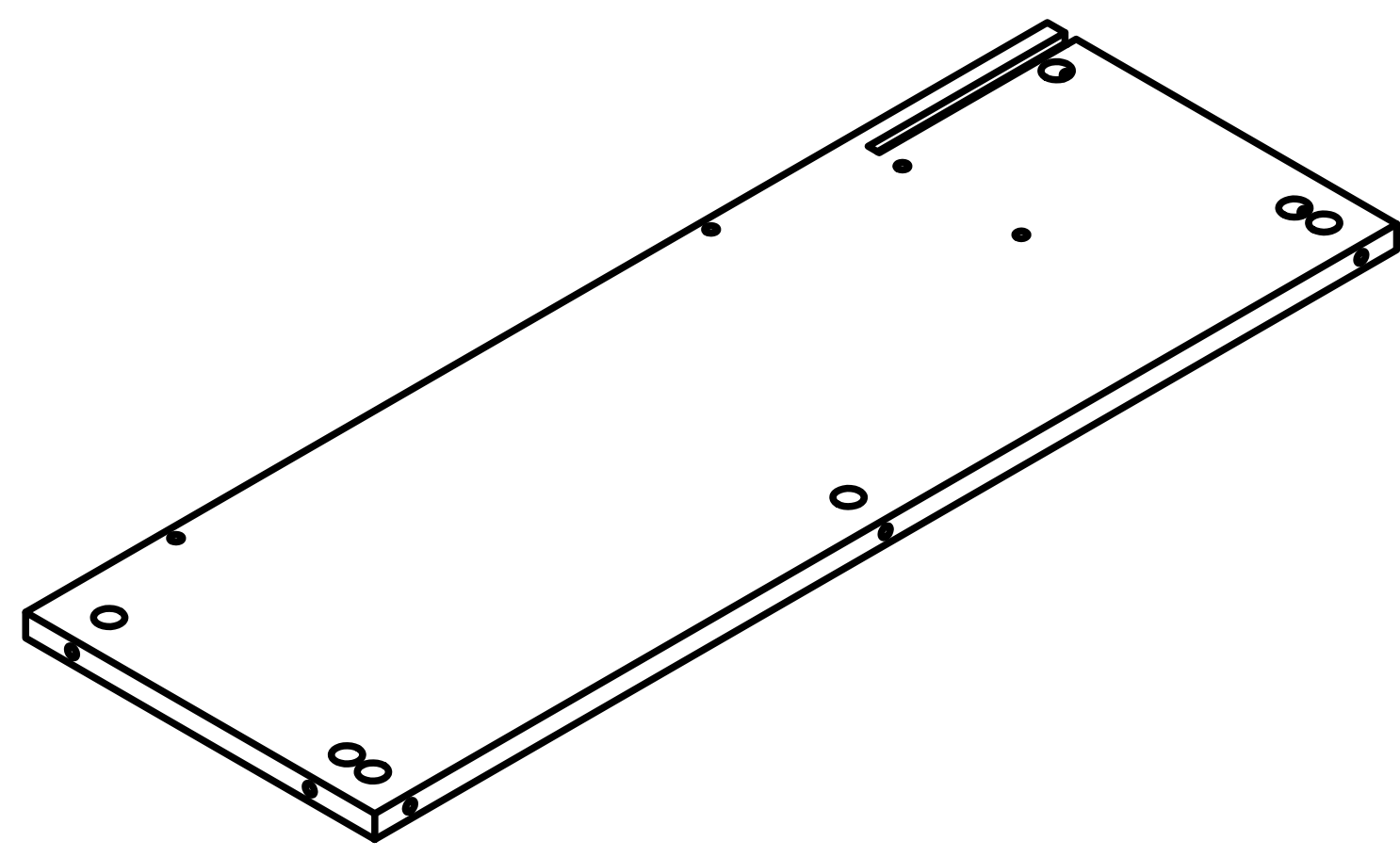
24x1



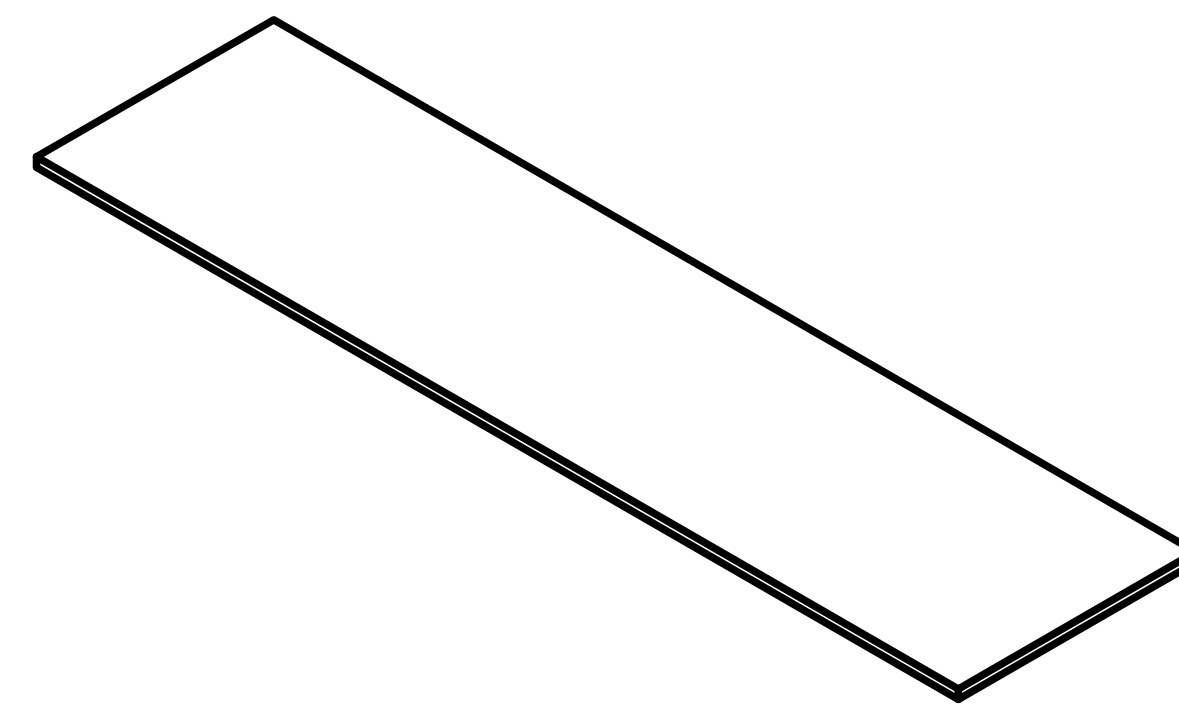
1



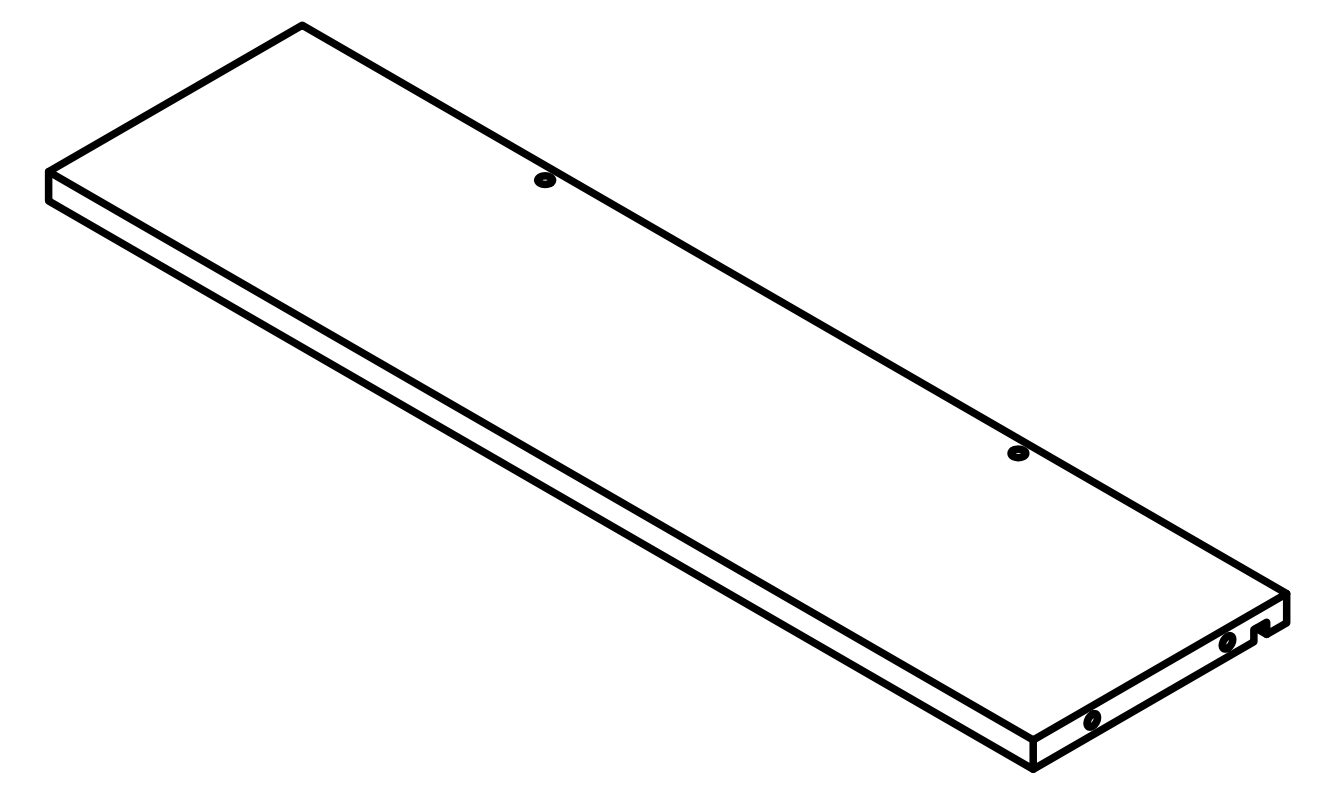
25x2



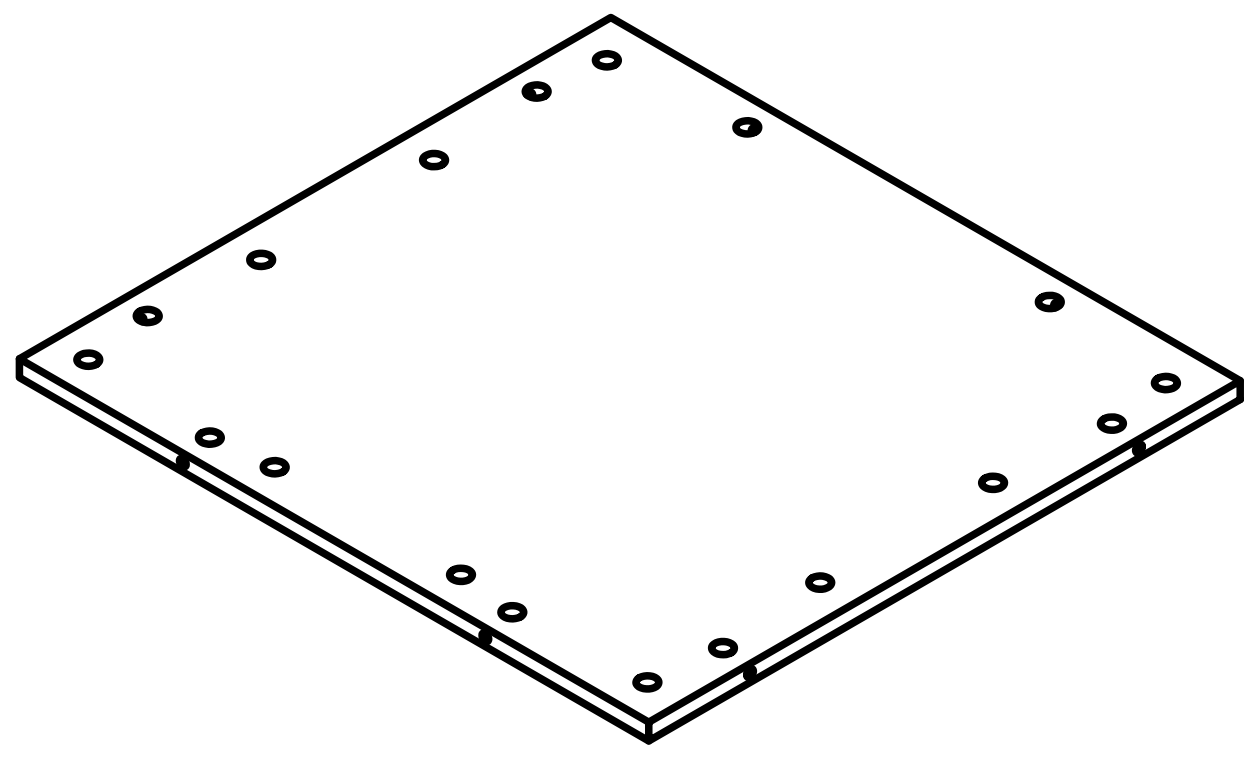
26x1



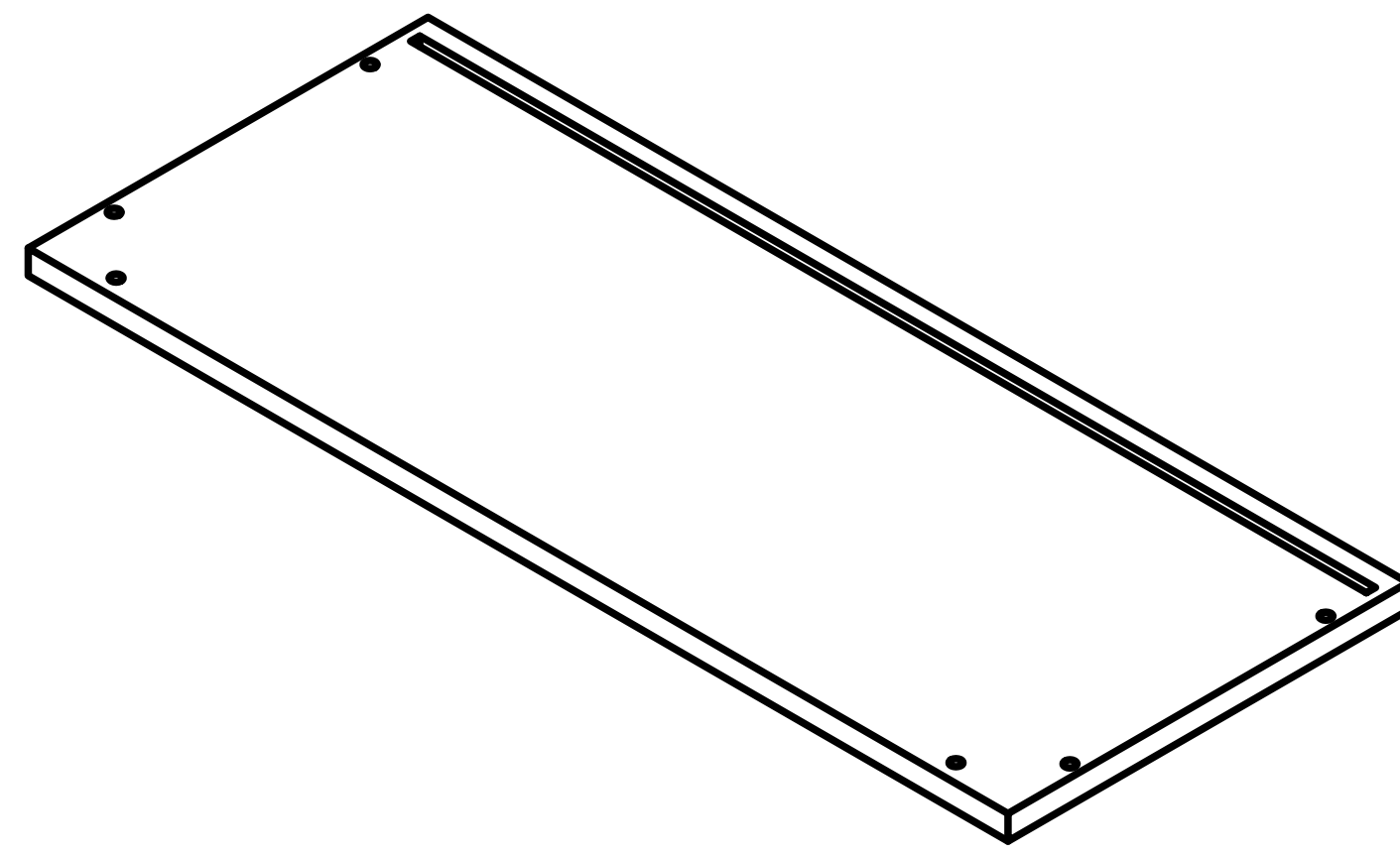
27x1



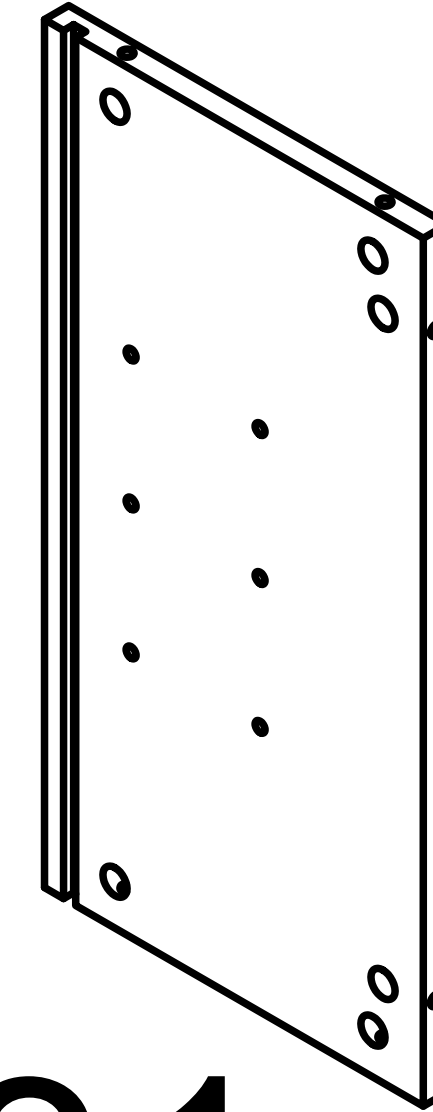
28x1



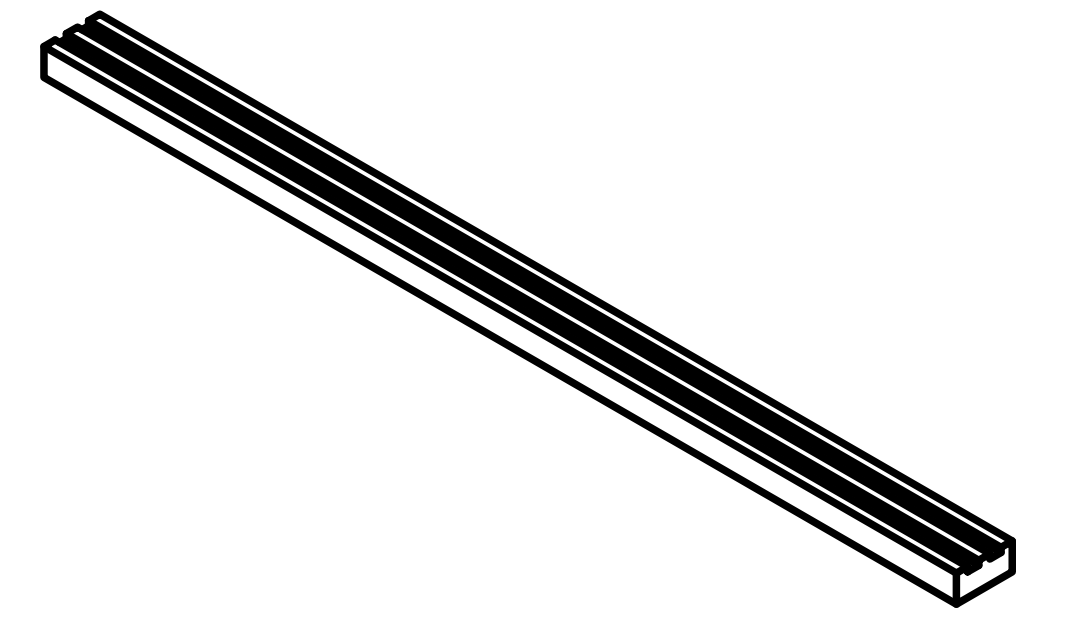
29x1



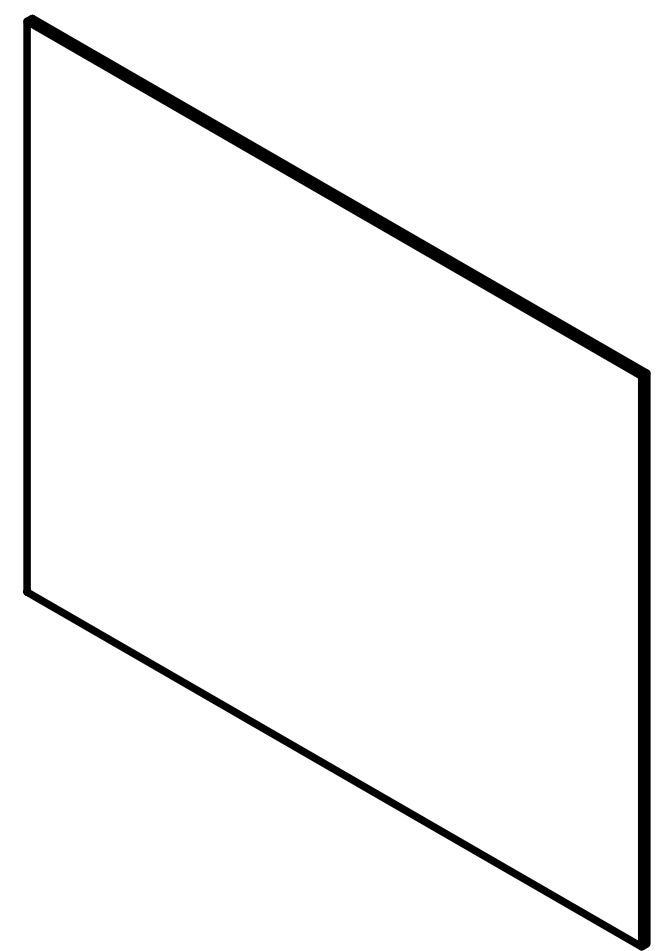
30x1



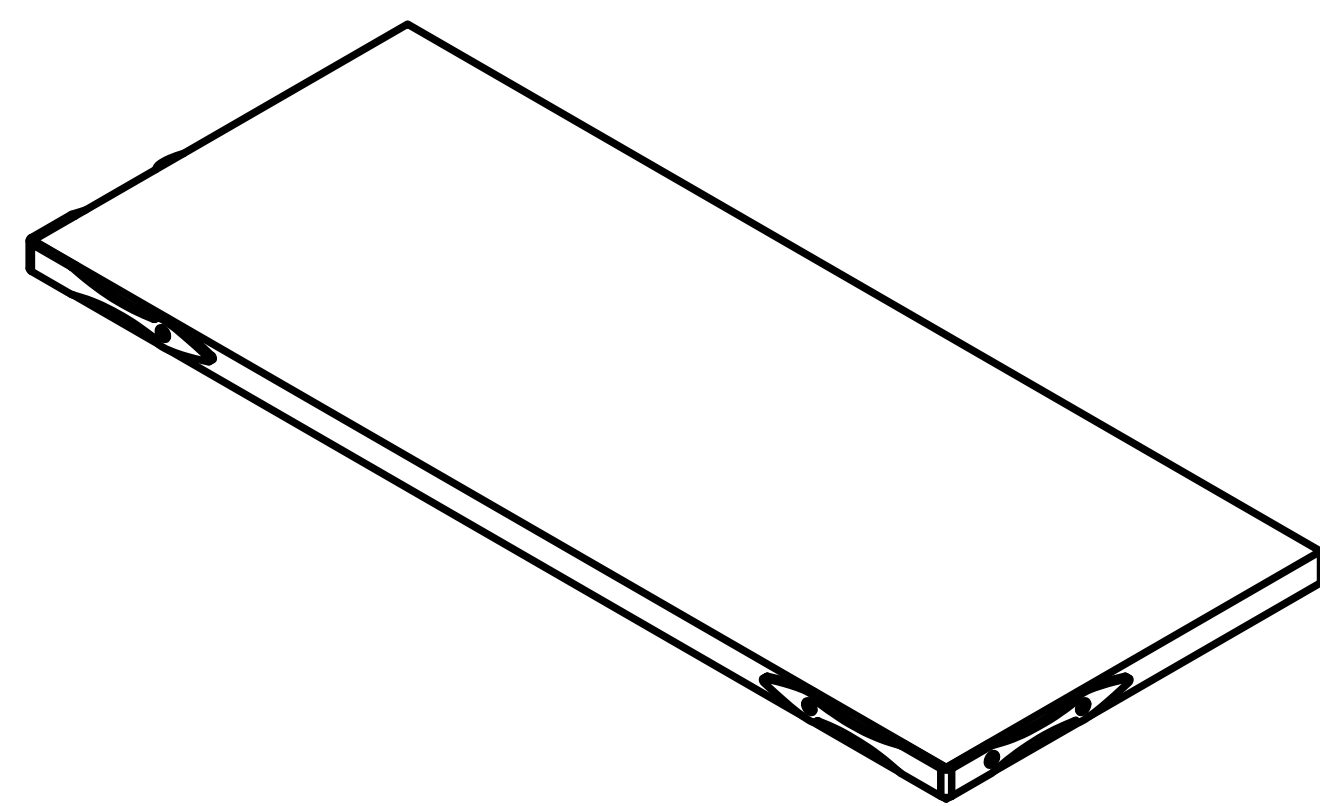
31x2



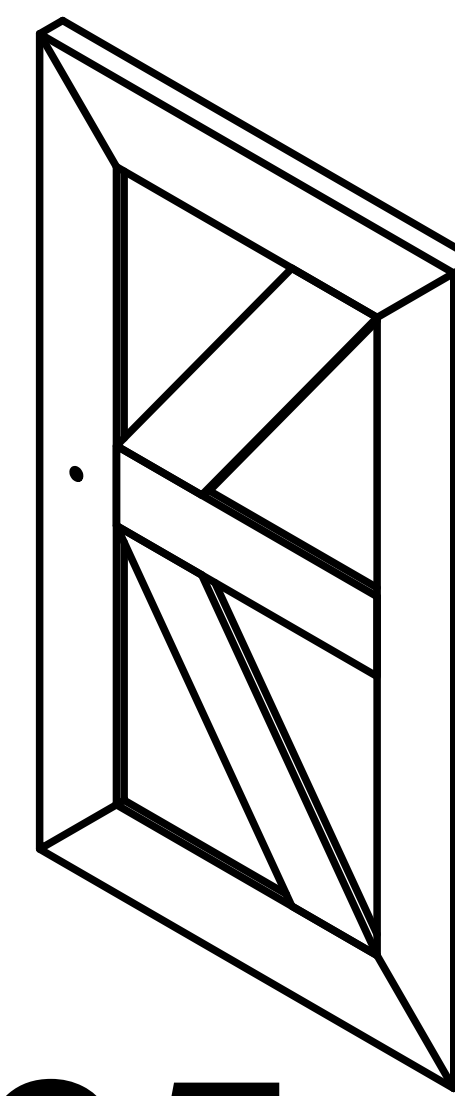
32x2



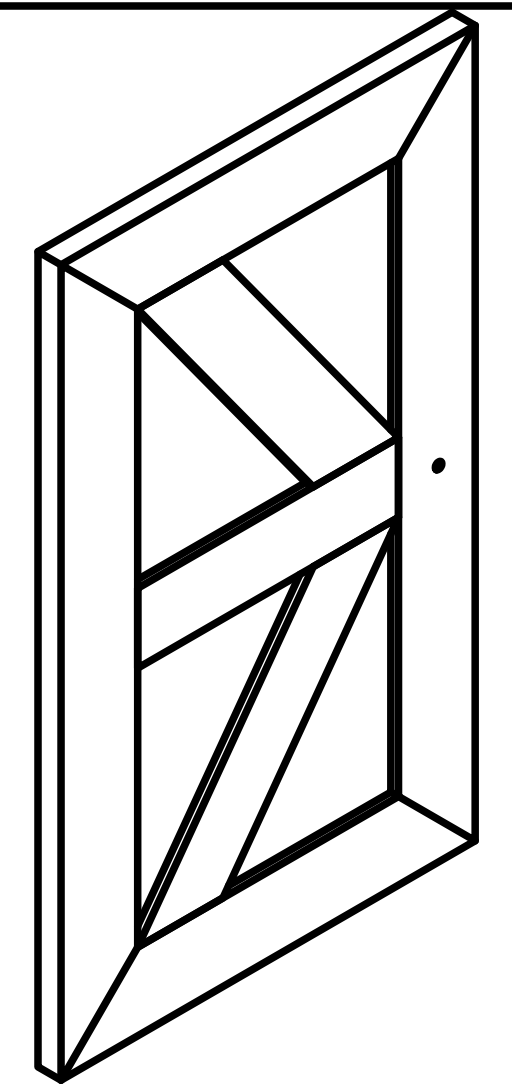
33x1



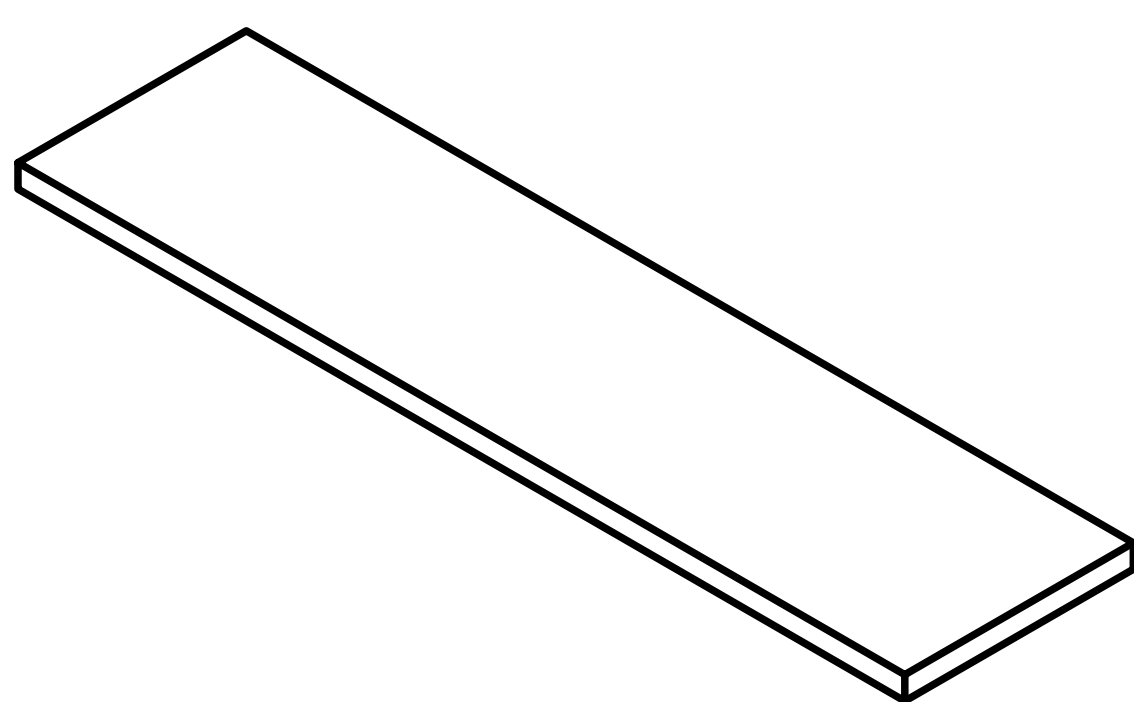
34x1



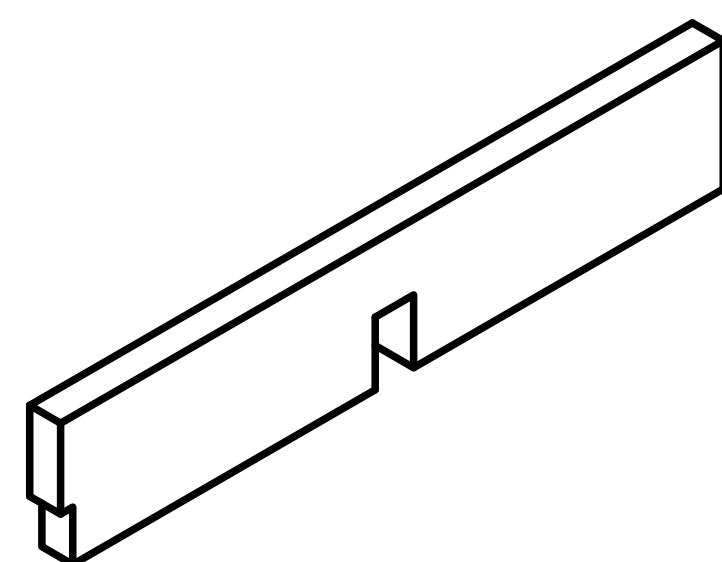
35x1



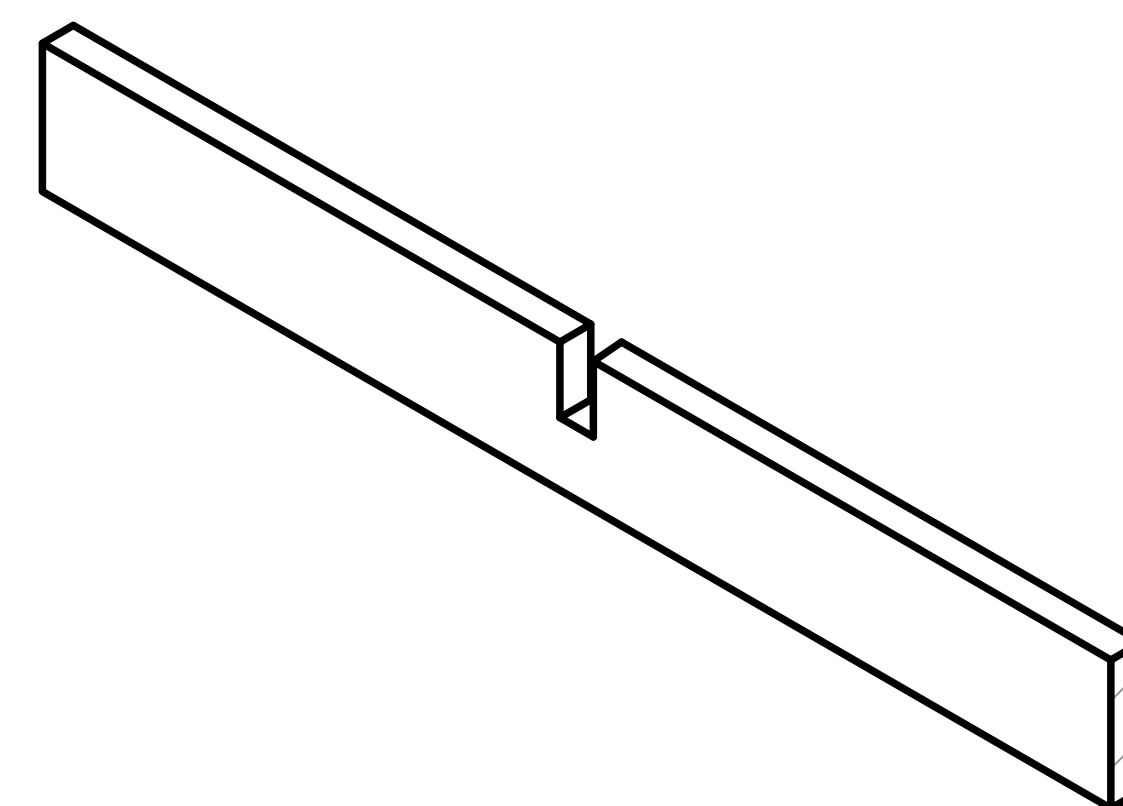
36x1



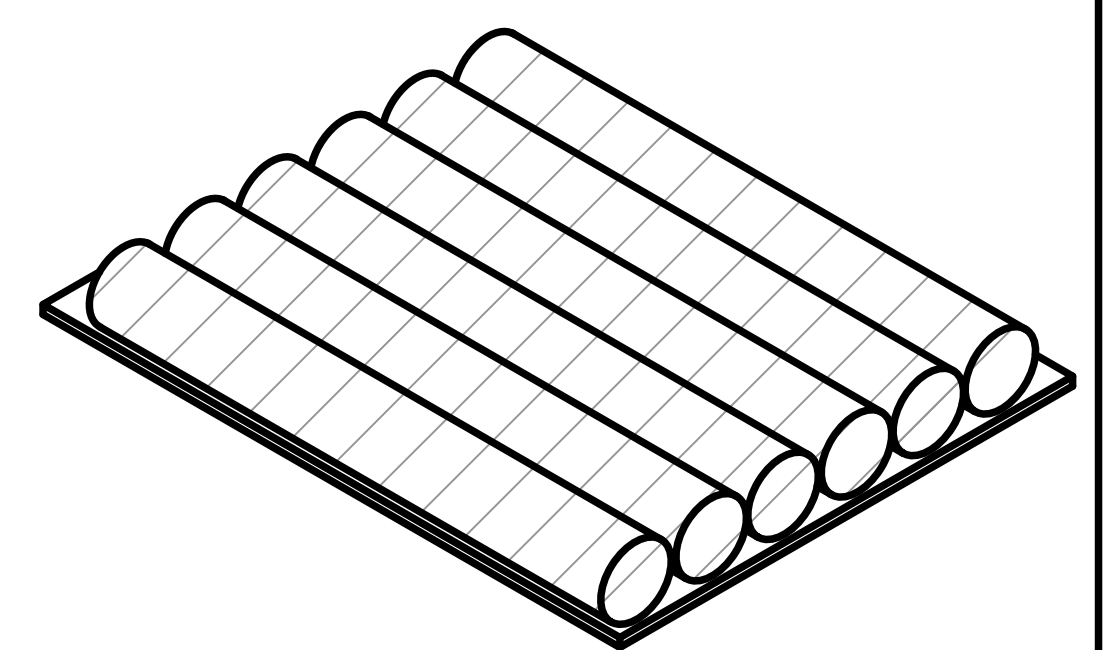
37x1



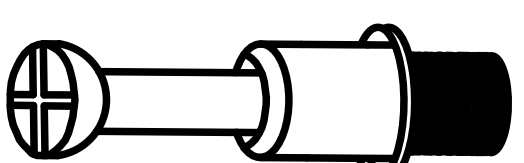
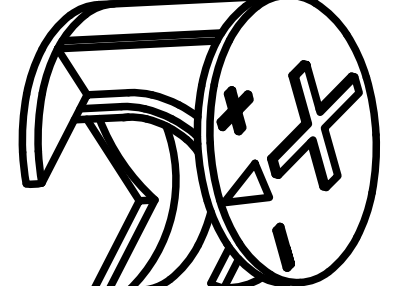

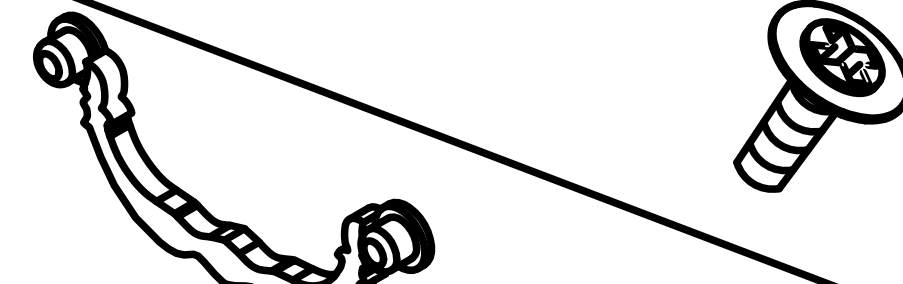
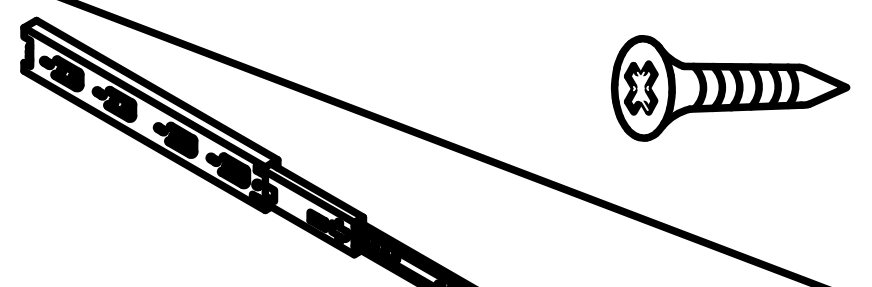
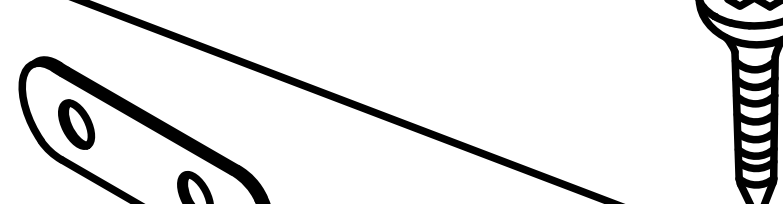
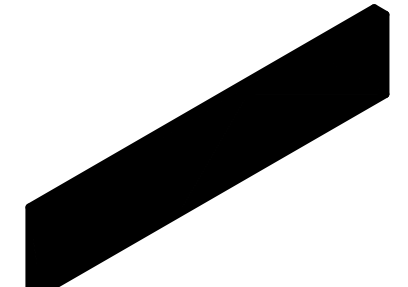
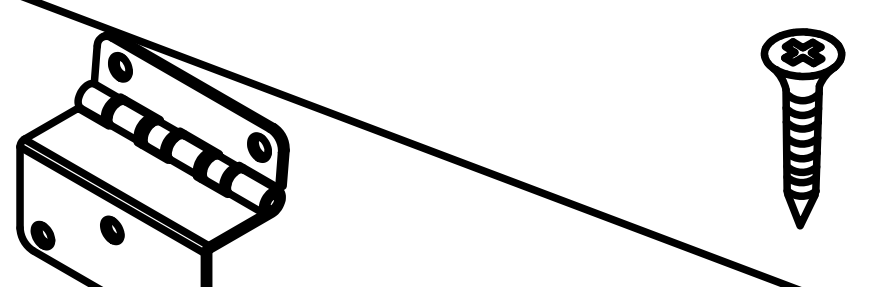
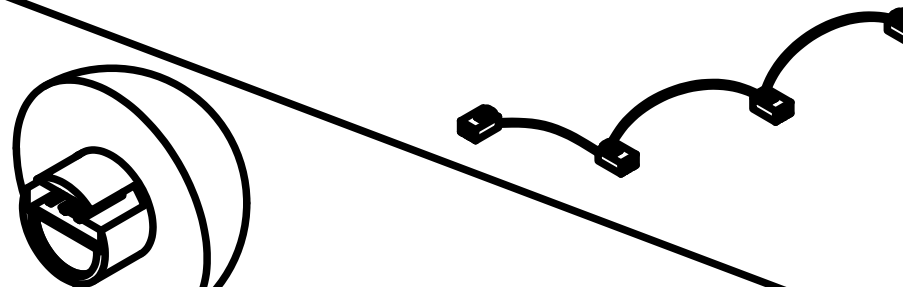
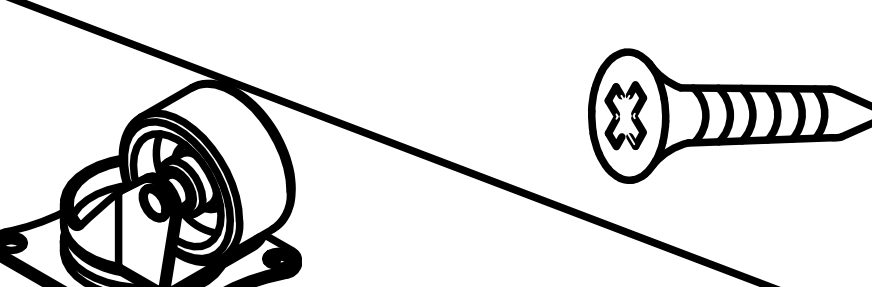
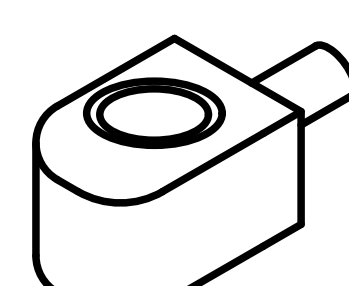
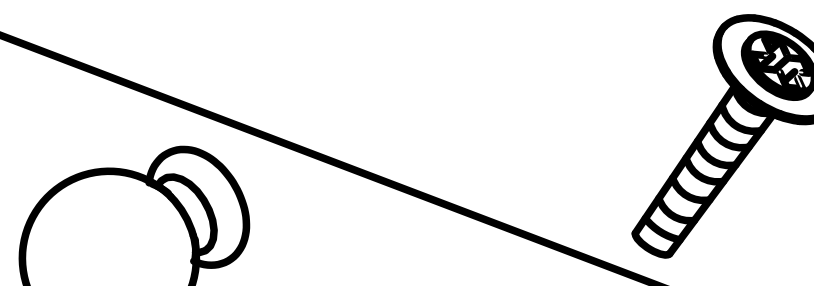
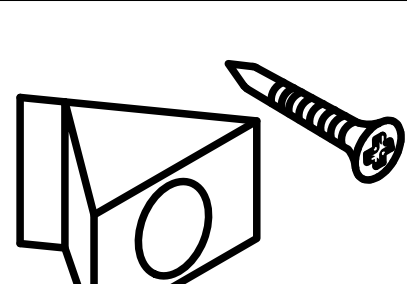

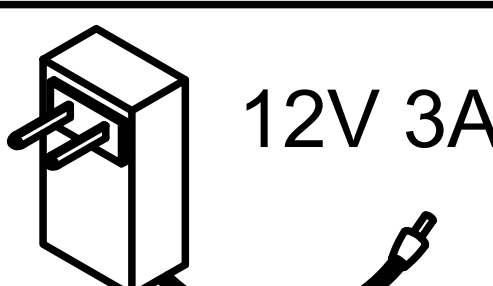
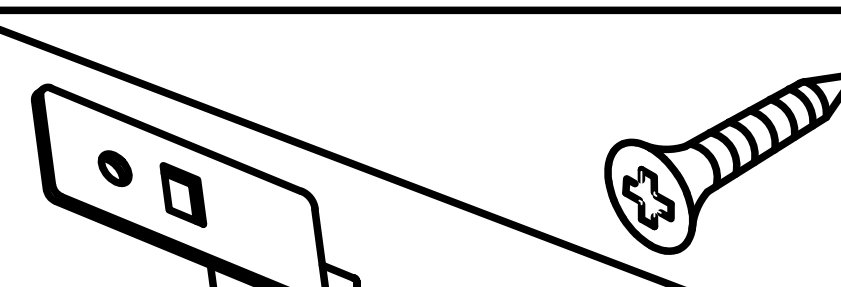
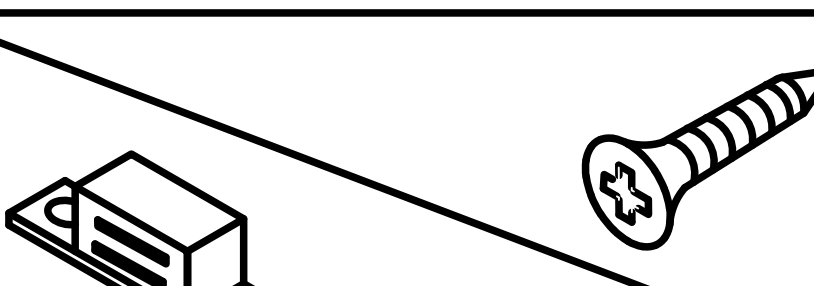
38x1

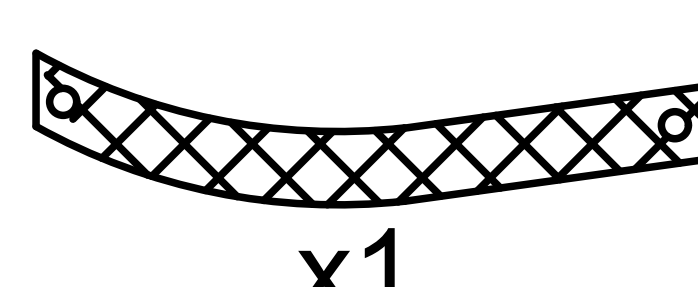
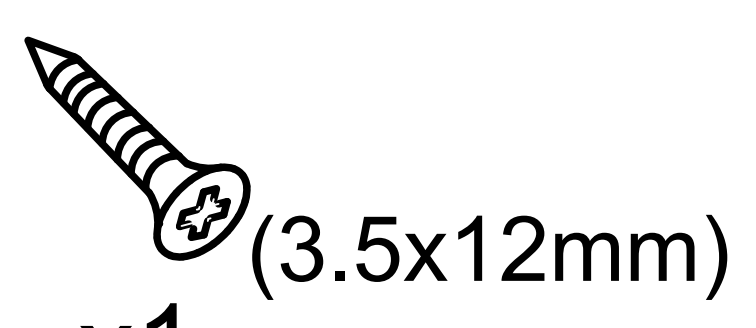
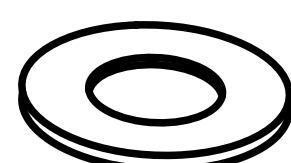
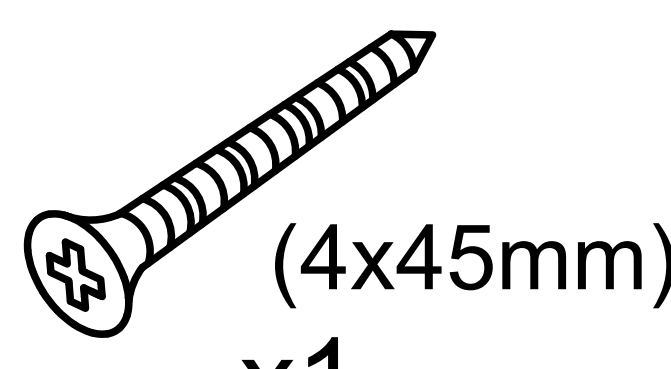
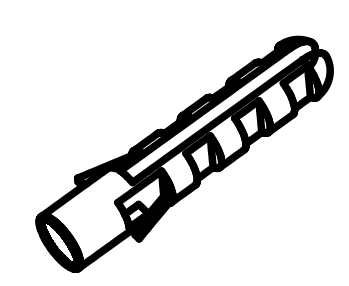


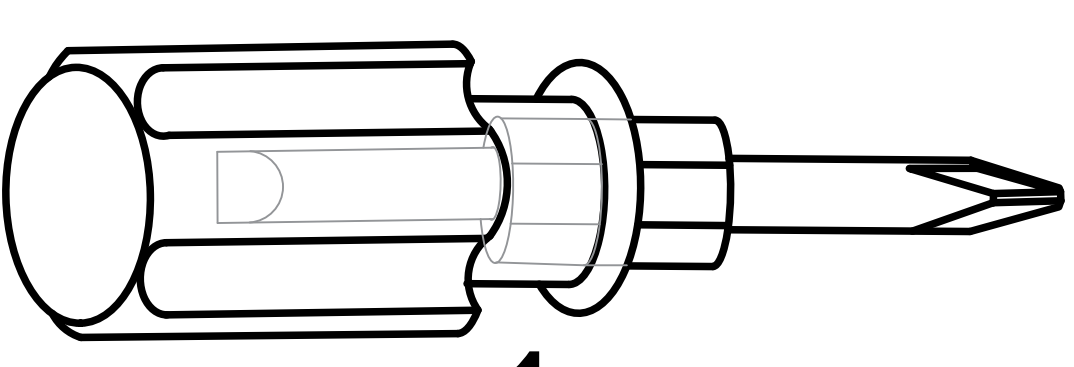
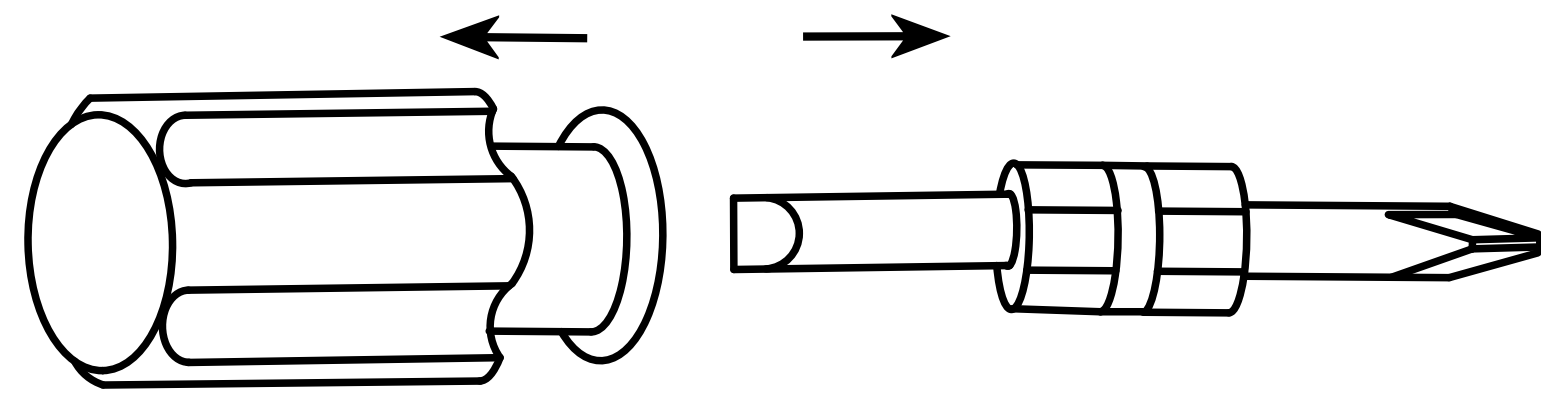

39x1



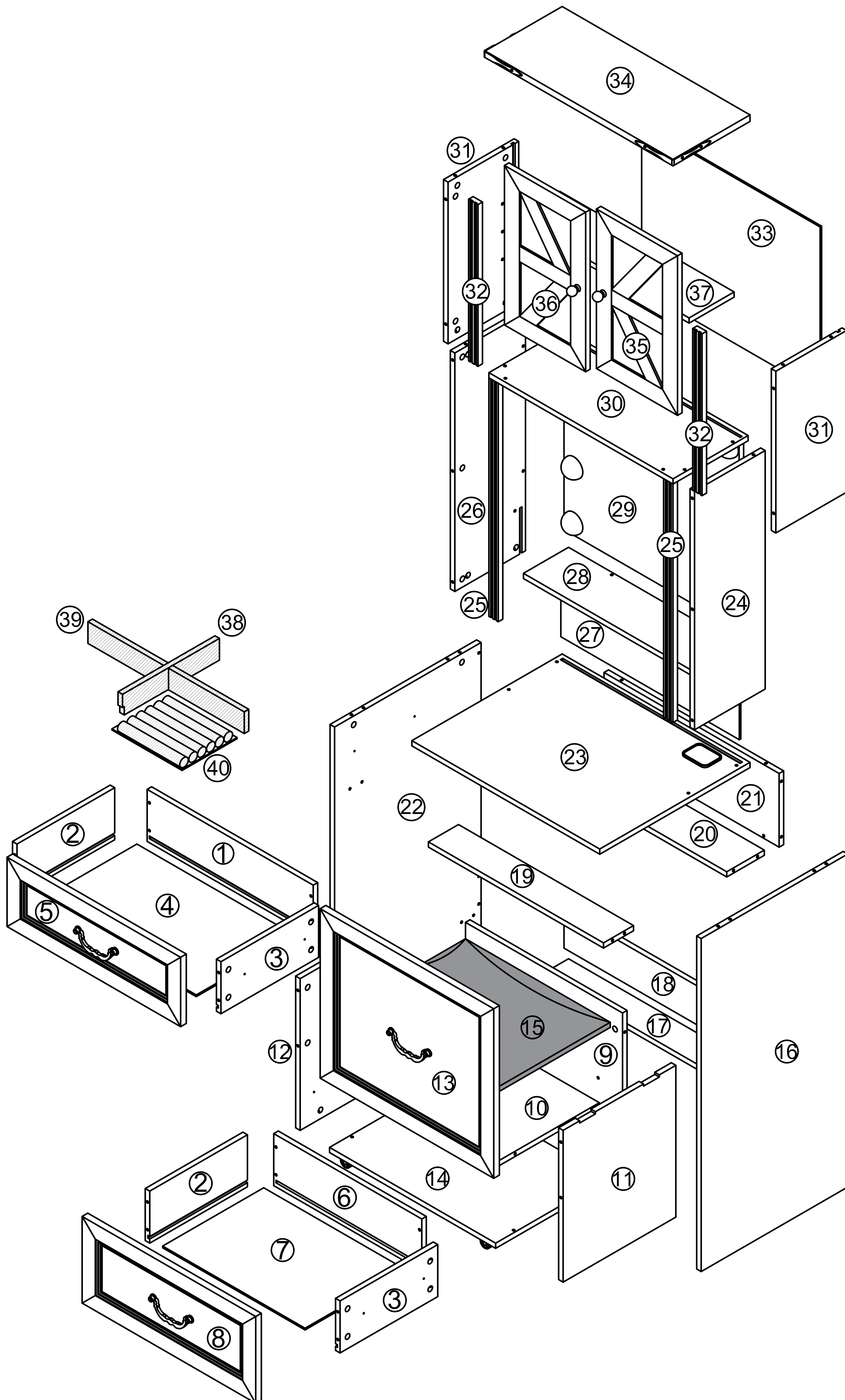
40x1

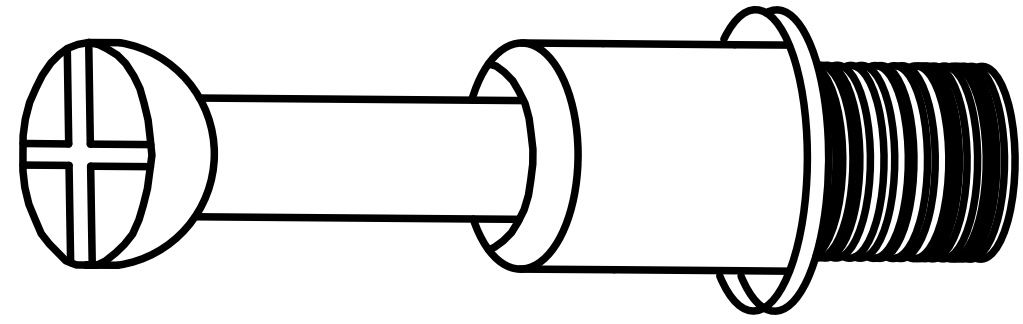
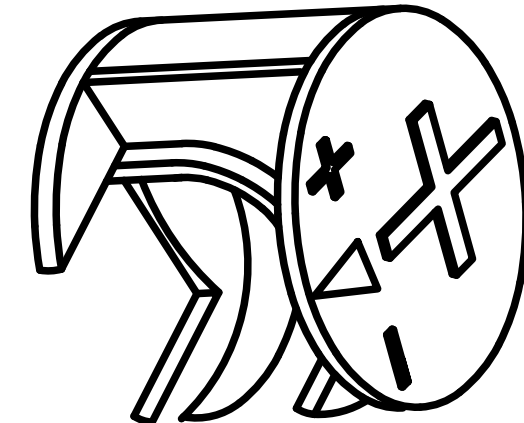
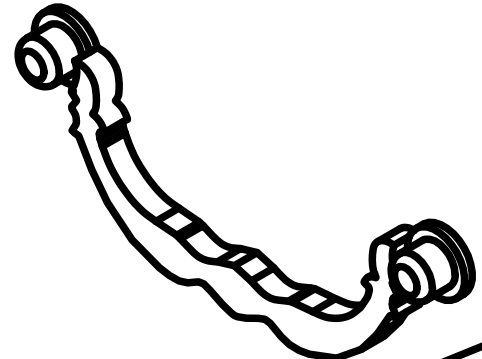

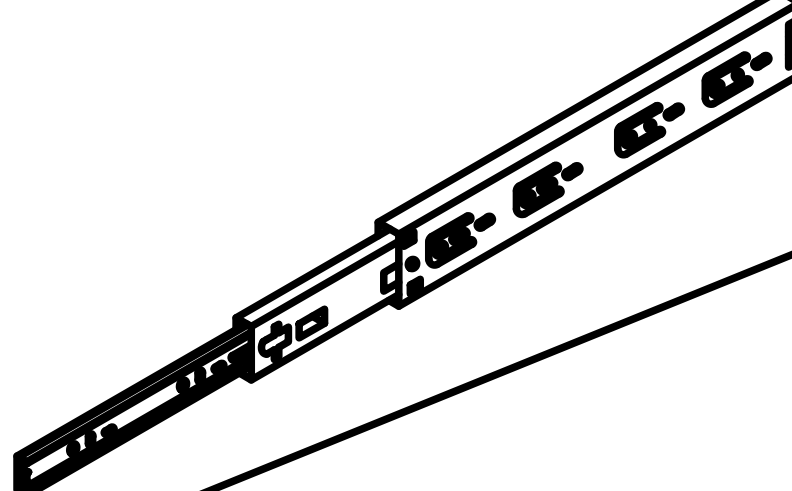
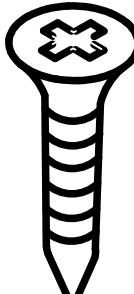
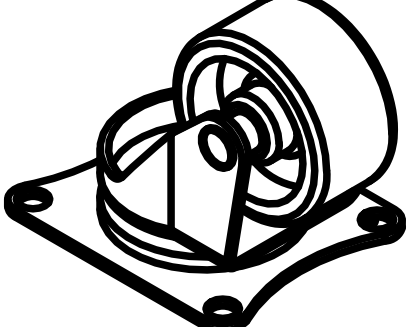
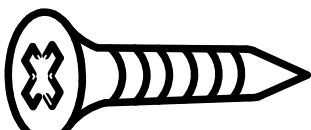
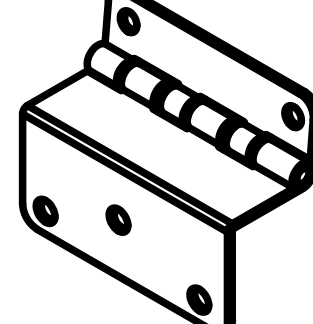
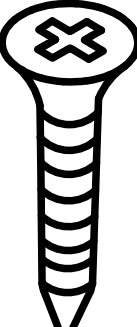
A		Two in one screw (6x28mm)	108pcs +5pcs
B		Two in one nut (10x12mm)	108pcs +5pcs
C		Wood Chipping (6x30mm)	4pcs +1pcs
D		Handle & Screw (4x8mm)	3pcs / 6pcs +1pcs
E		(29cm) Guide & Screw (3.5x12mm)	4pcs / 20pcs +2pcs
F		Magnetic attraction iron sheet (3x10mm)	2pcs / 4pcs +1pcs
G		Soundproof pad	4pcs +1pcs
H		Hinge & Screw (3.5x12mm)	2pcs / 10pcs +1pcs
I		Light bulb	10pcs / 1pcs
J		Universal wheel (3.5x12mm)	4pcs / 16pcs +1pcs
K		Laminate support nail	4pcs +1pcs
L		Handle & Screw (4x16mm)	2pcs / 2pcs +1pcs
M		Fixing Clip & Screw (3x16mm)	6pcs +1pcs
N		Protective sticker	10pcs +1pcs
O		The power adapter	1pcs
P		Simple hinges (3.5x12mm)	4pcs / 8pcs +1pcs
Q		Iron sheet & Screw (3.5x12mm)	1pcs / 2pcs +1pcs

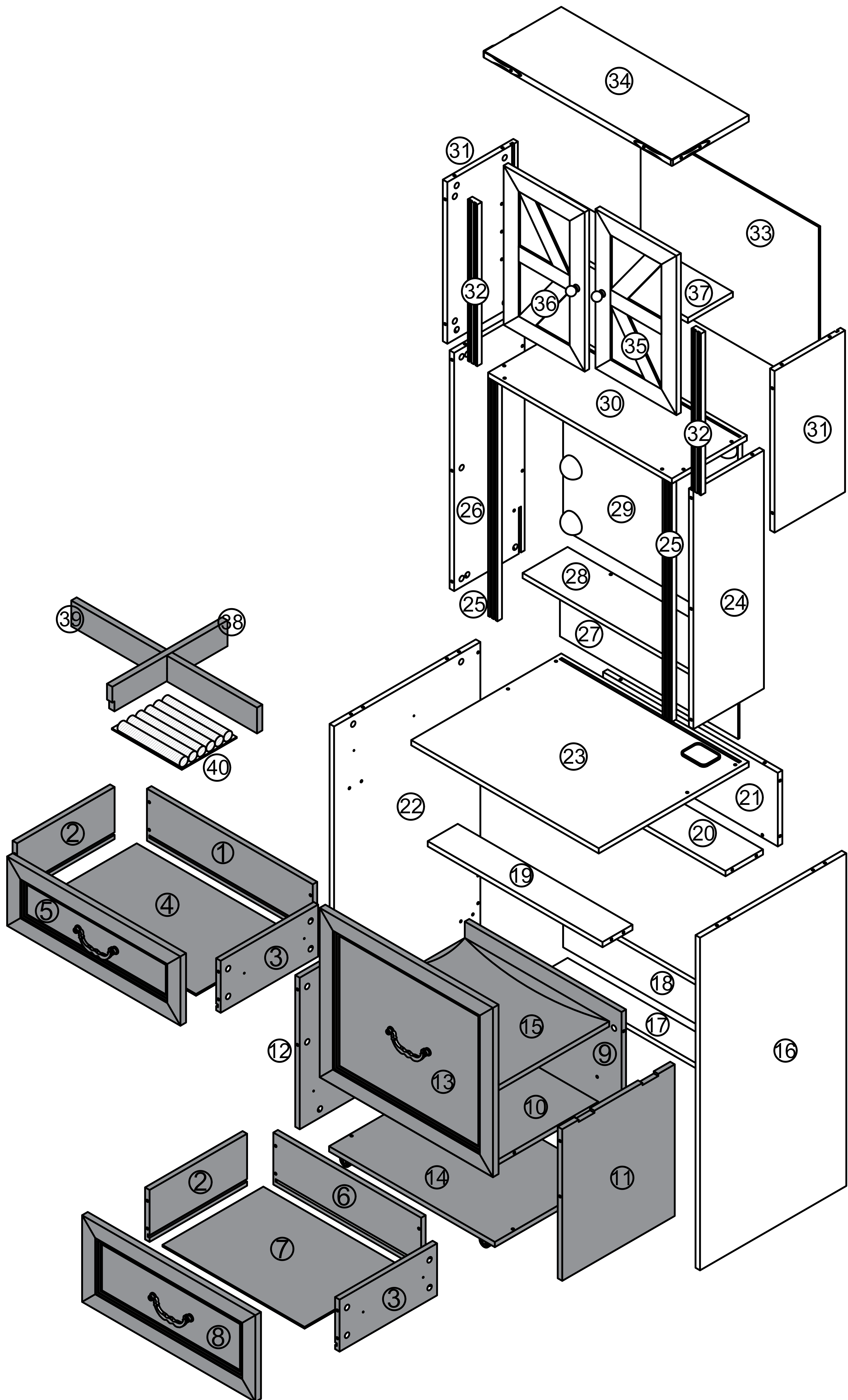
Anti tipping hardware					
R	 x1	 x1 (3.5x12mm)	 x1	 x1 (4x45mm)	 x1

 1pcs	 Double-head screwdriver, use as required SY	 3
---	--	--

Product structure decomposition



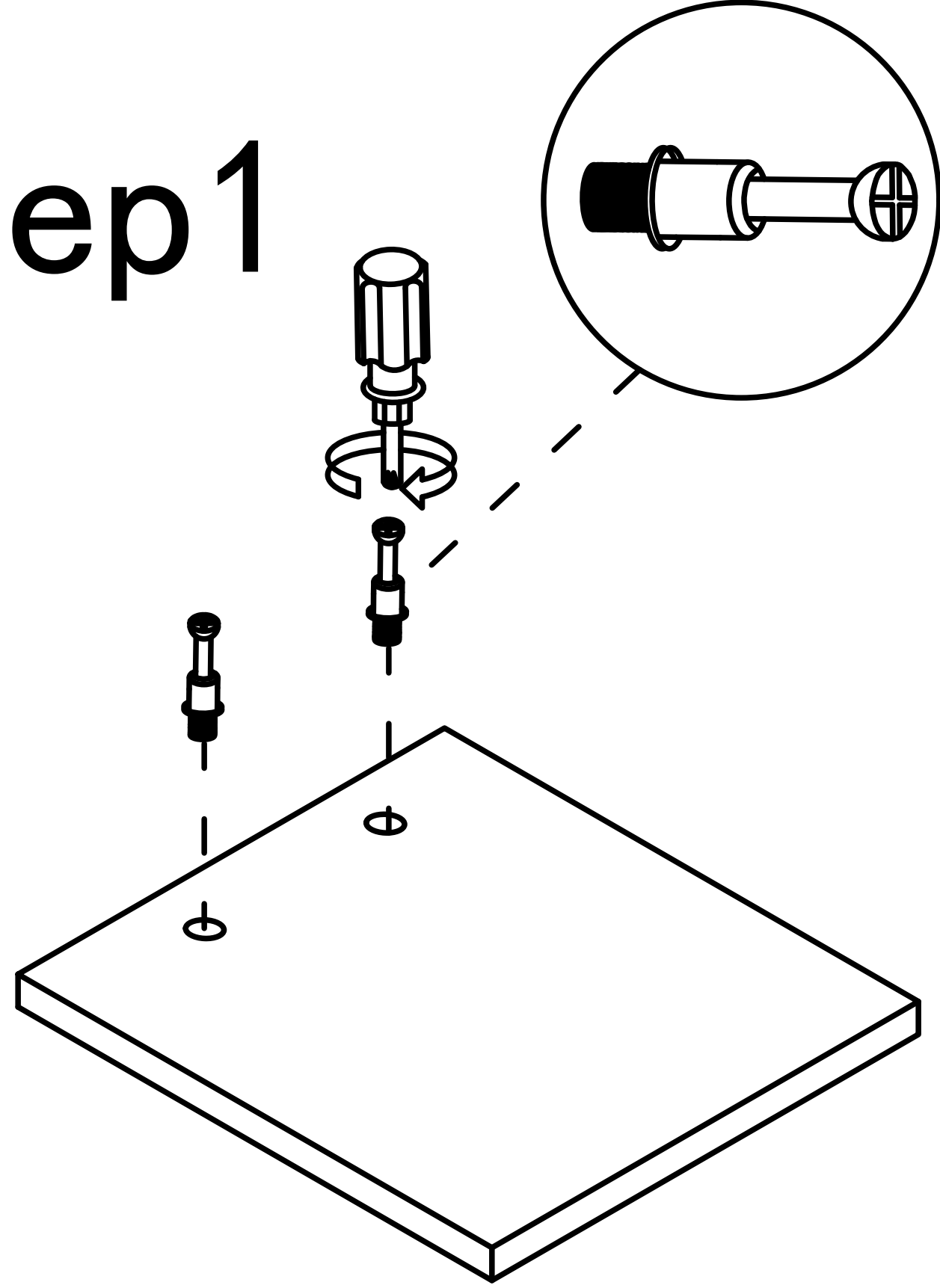
A		38pcs	B		38pcs
D	 	3pcs 6pcs	E	 	4pcs 8pcs
J	 	4pcs 16pcs	H	 	2pcs 10pcs



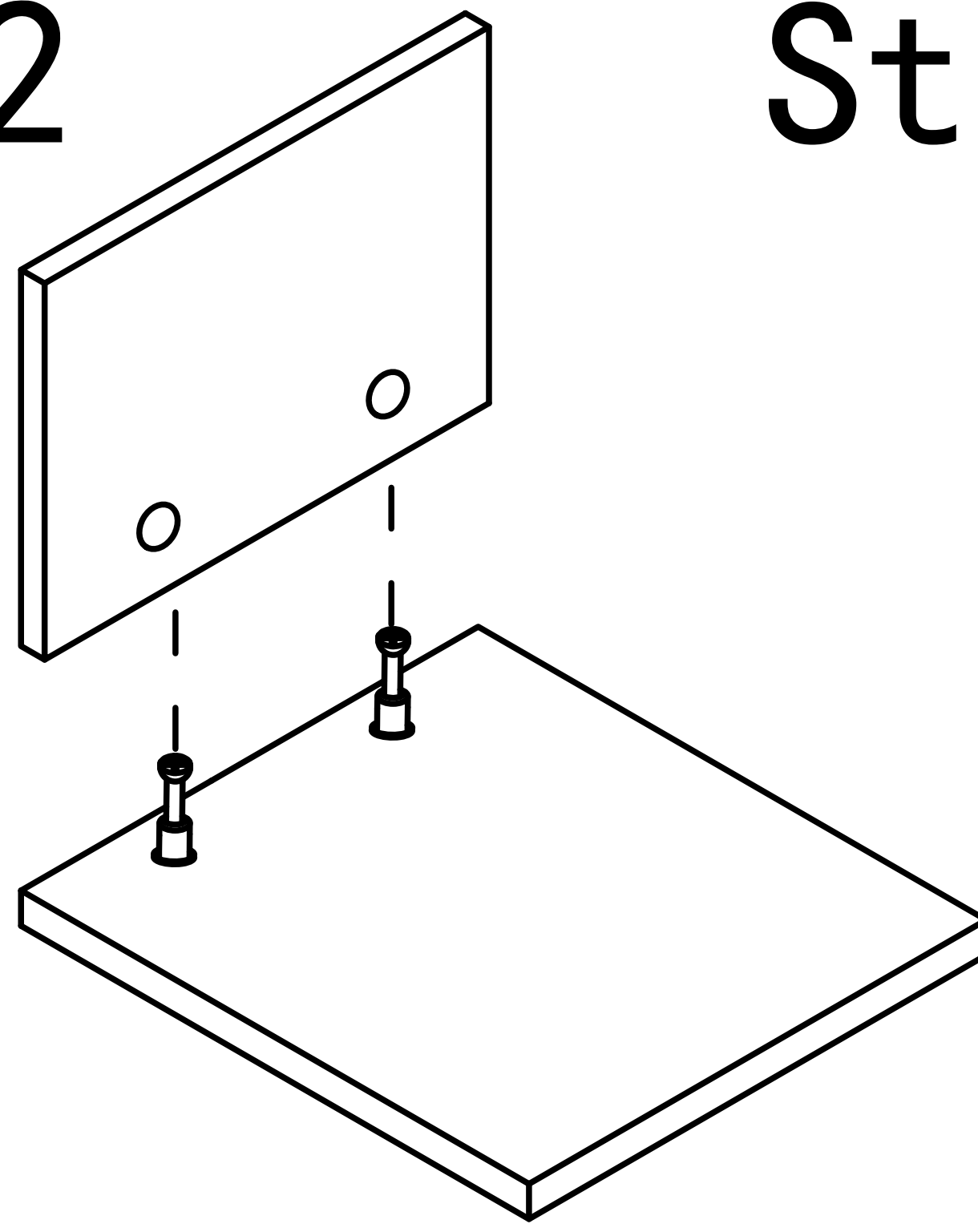
SY

Use parts A and B

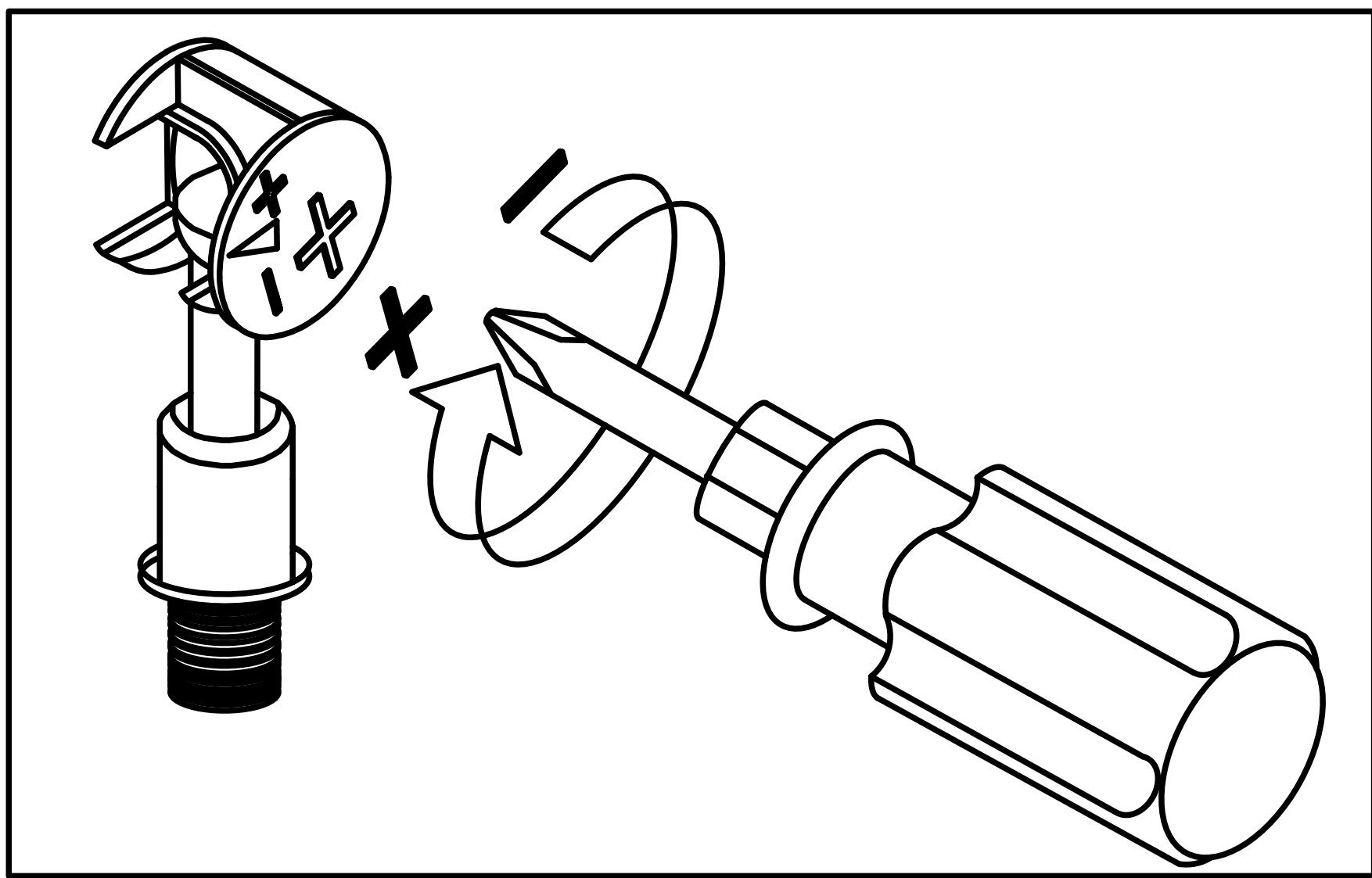
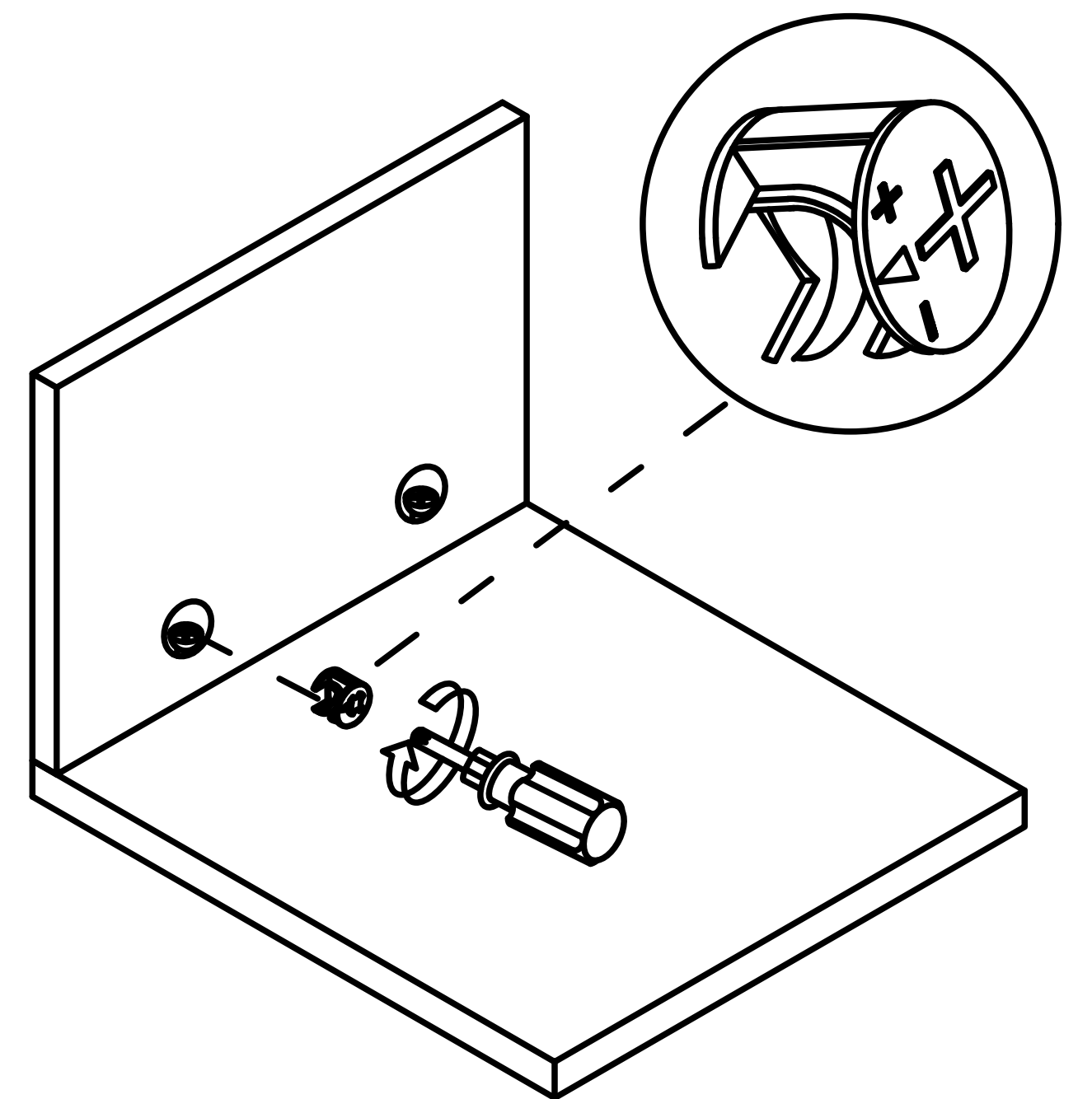
Step1



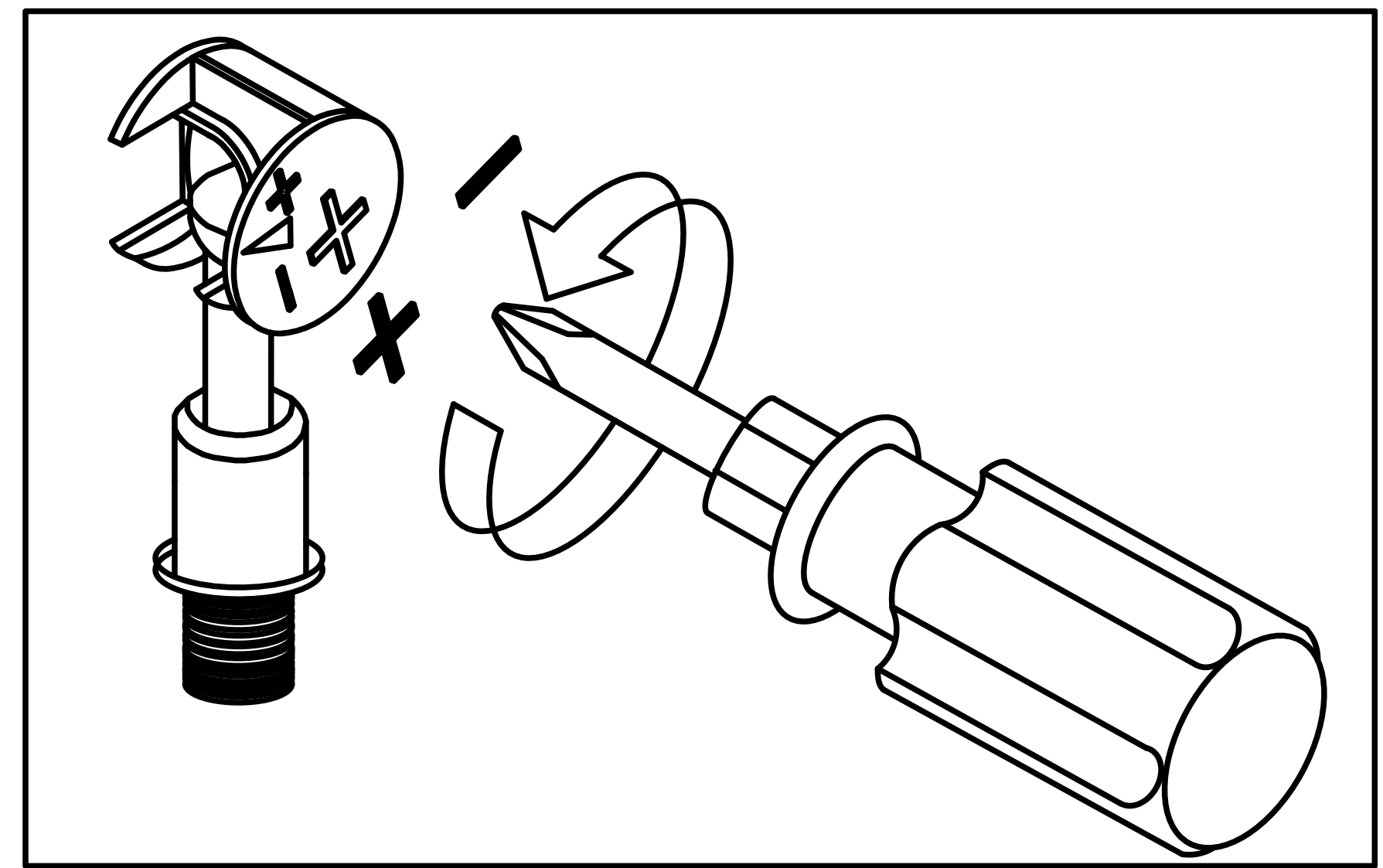
Step2



Step3

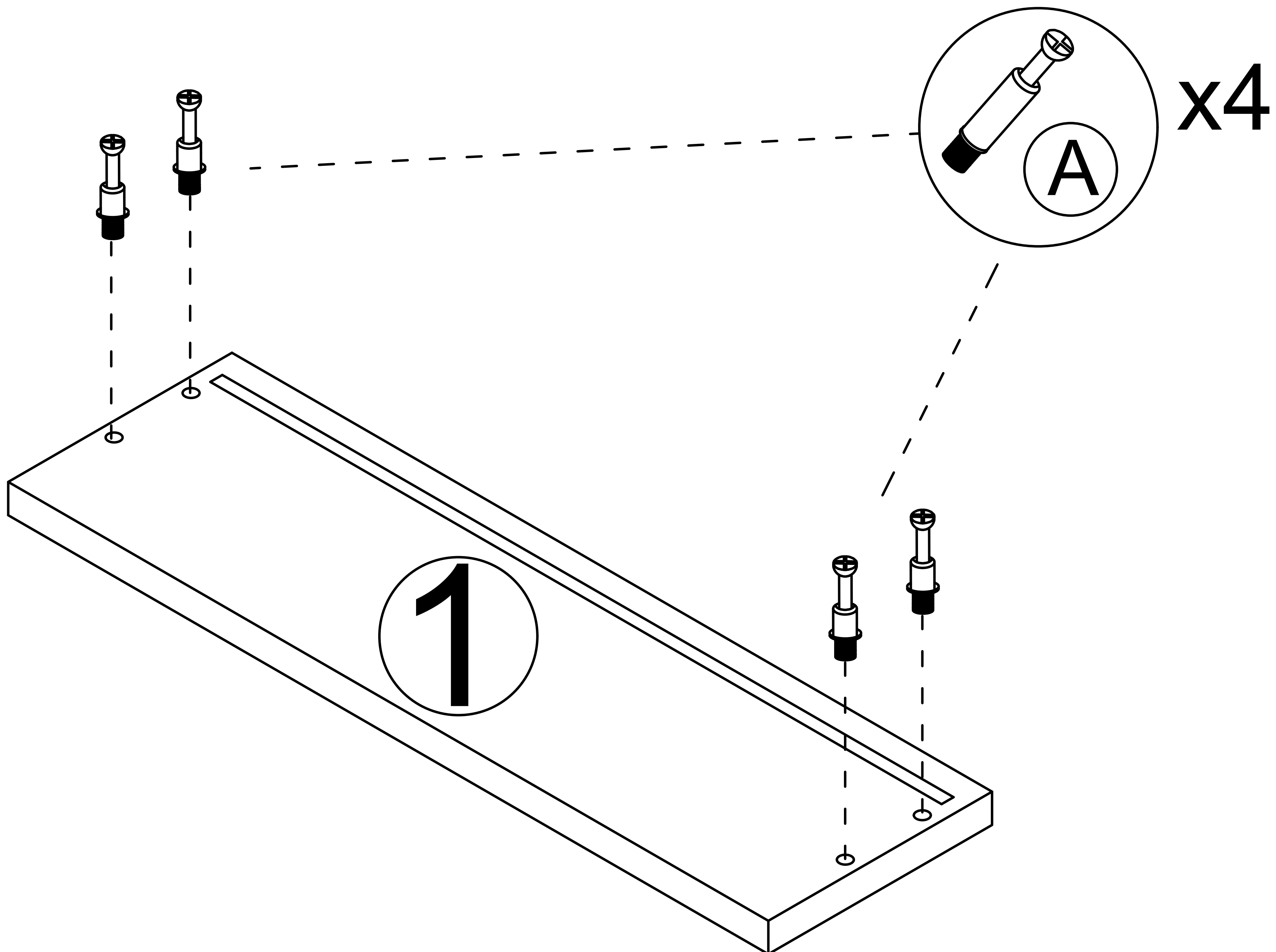
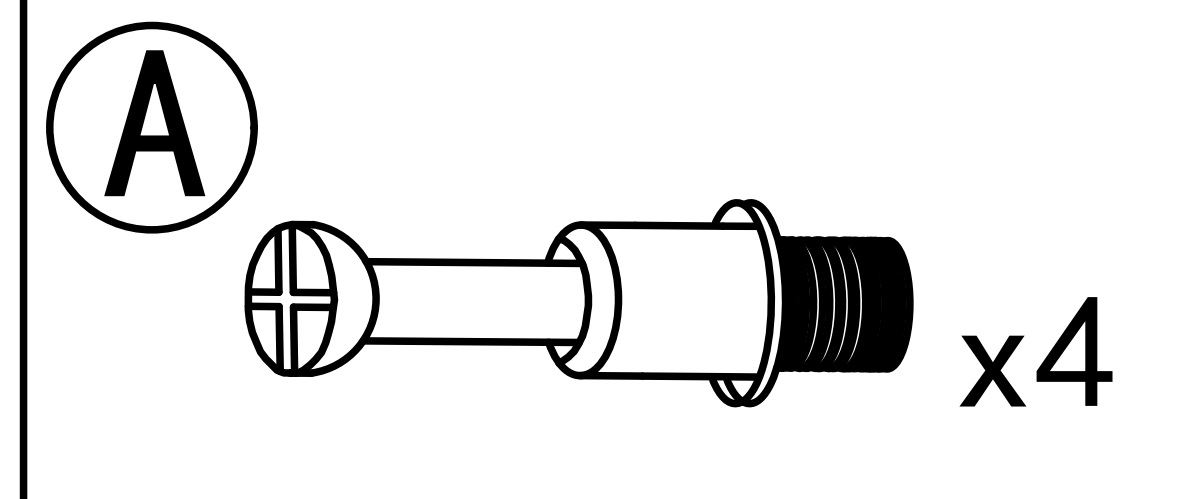


Use a screwdriver to lock in the direction of the "+" sign



Disassemble along the direction of "-" sign

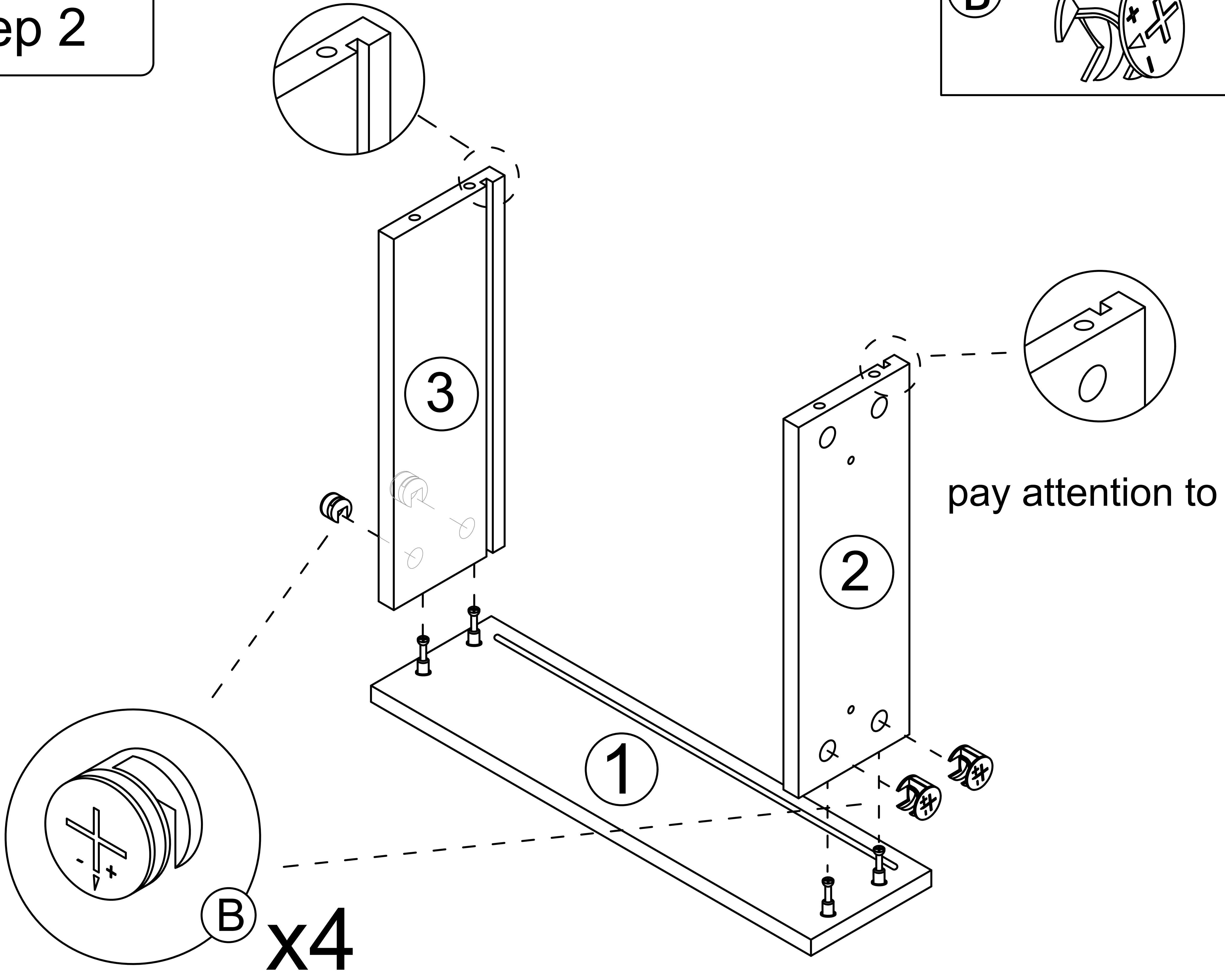
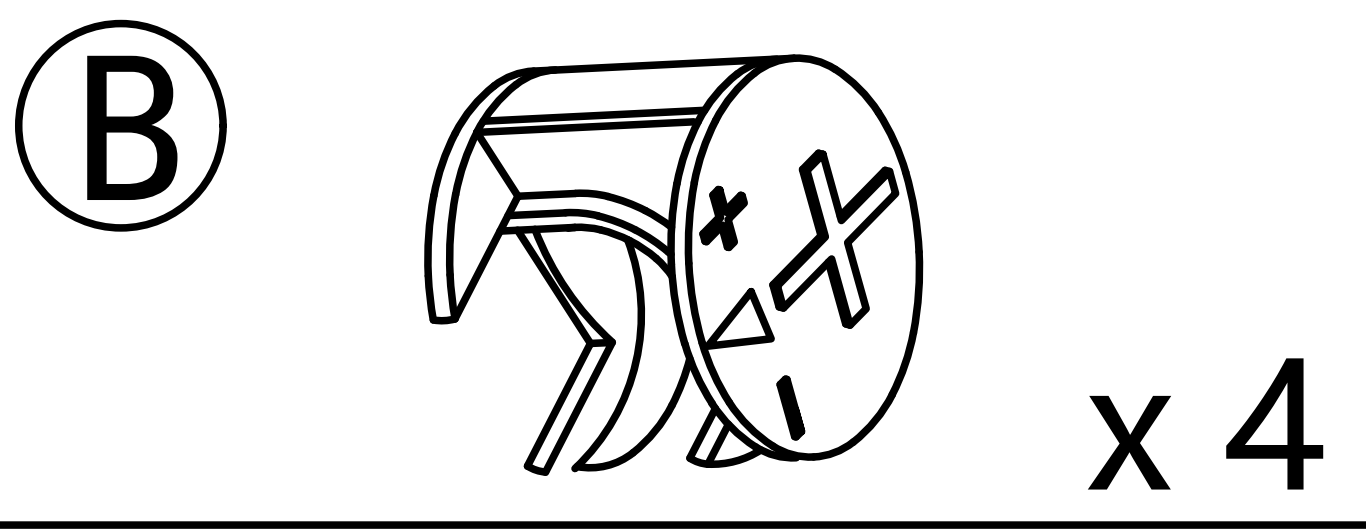
Step 1



6

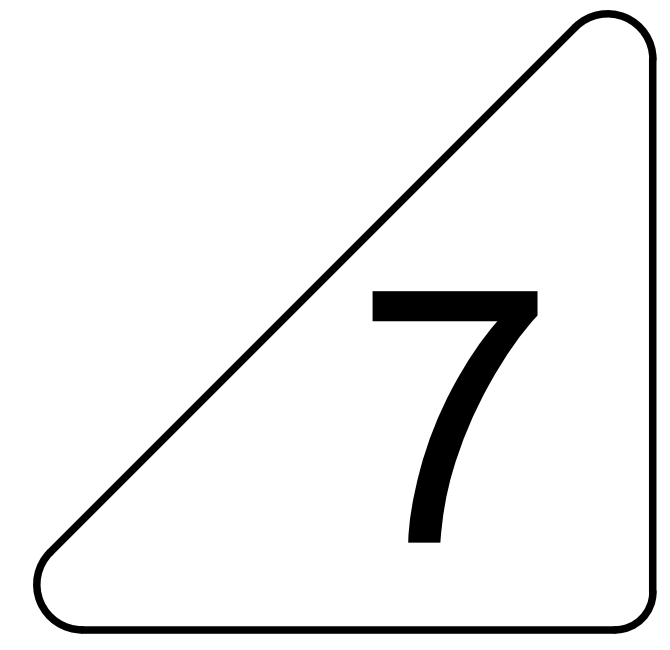
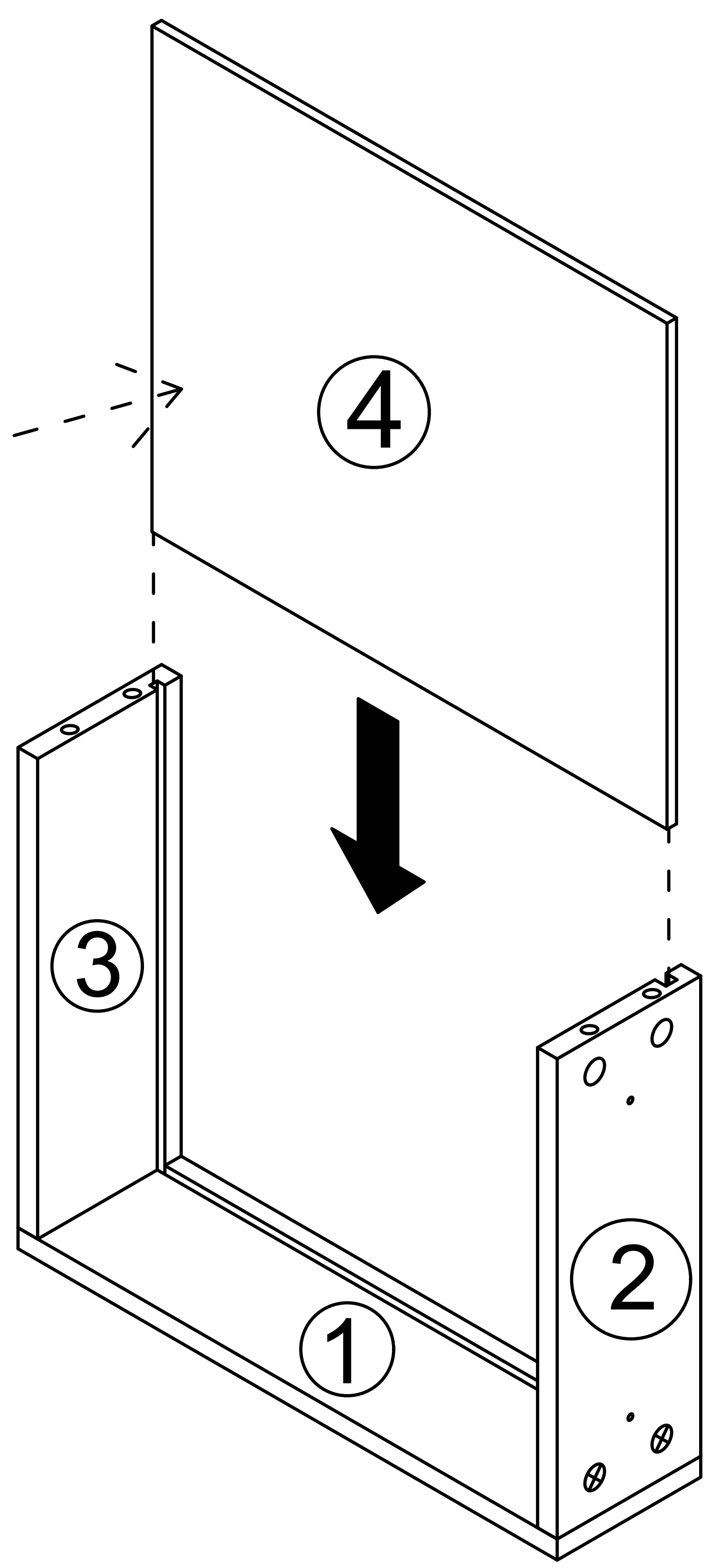
SY

Step 2

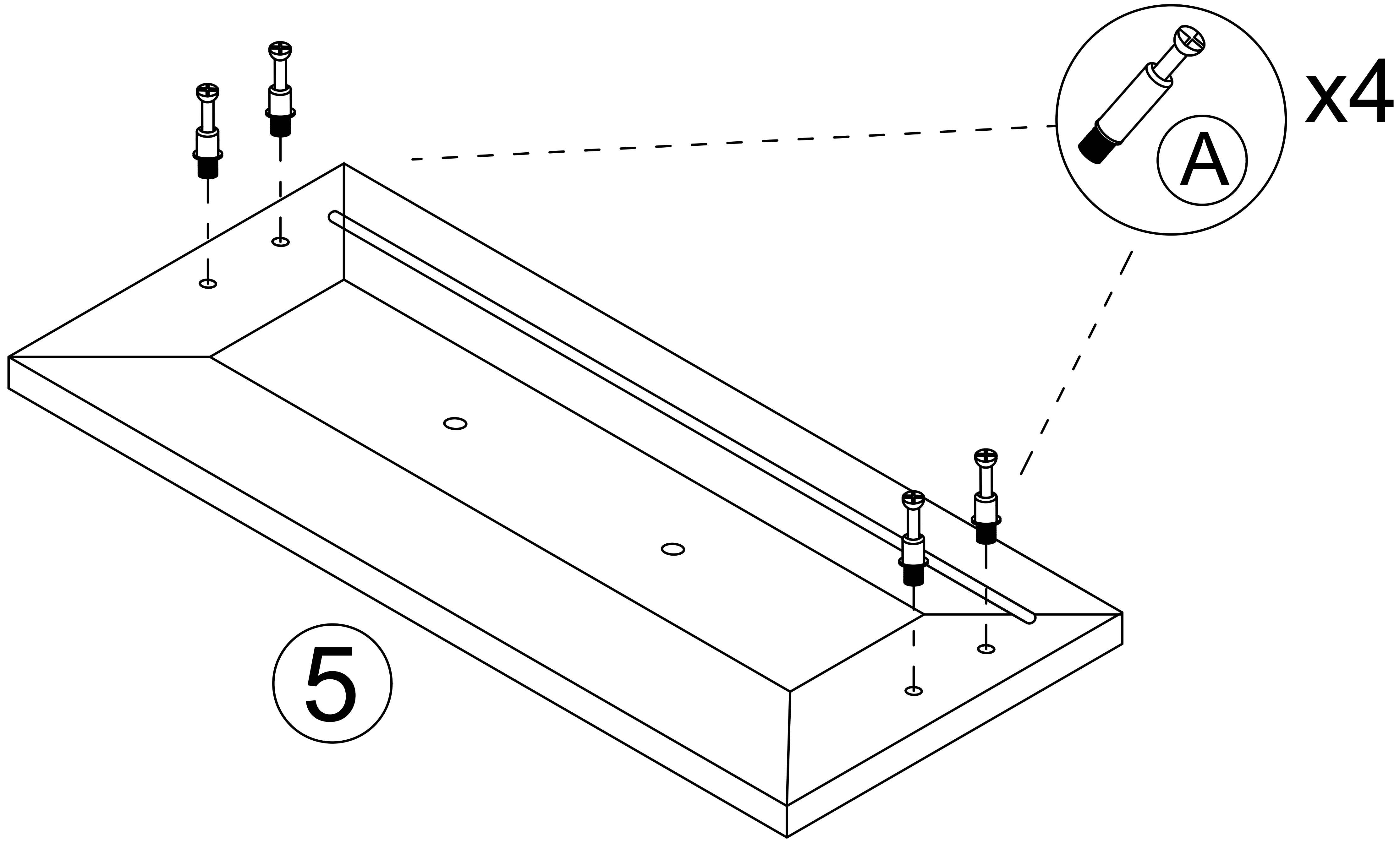
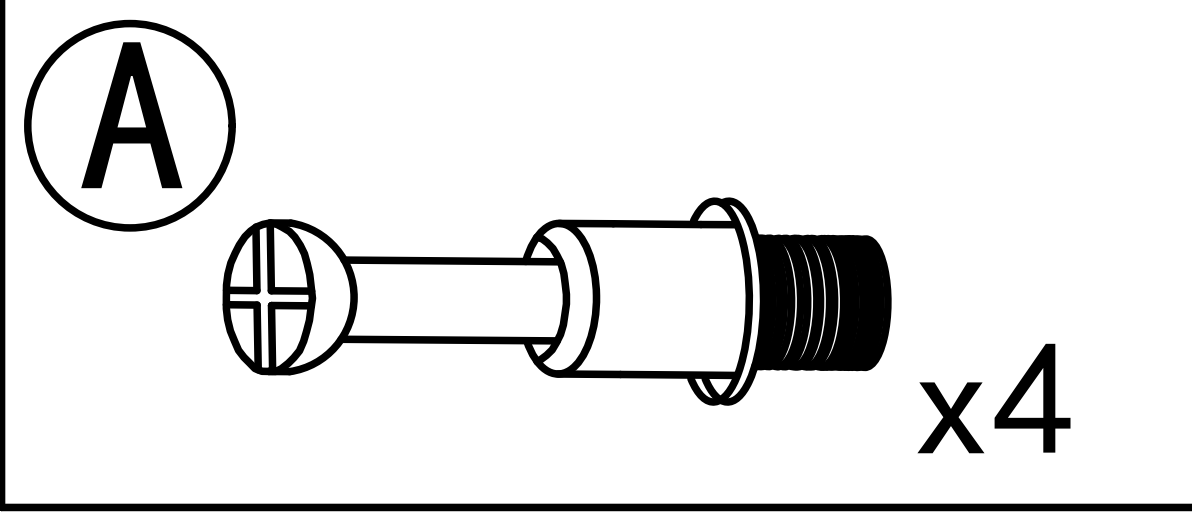


Step 3

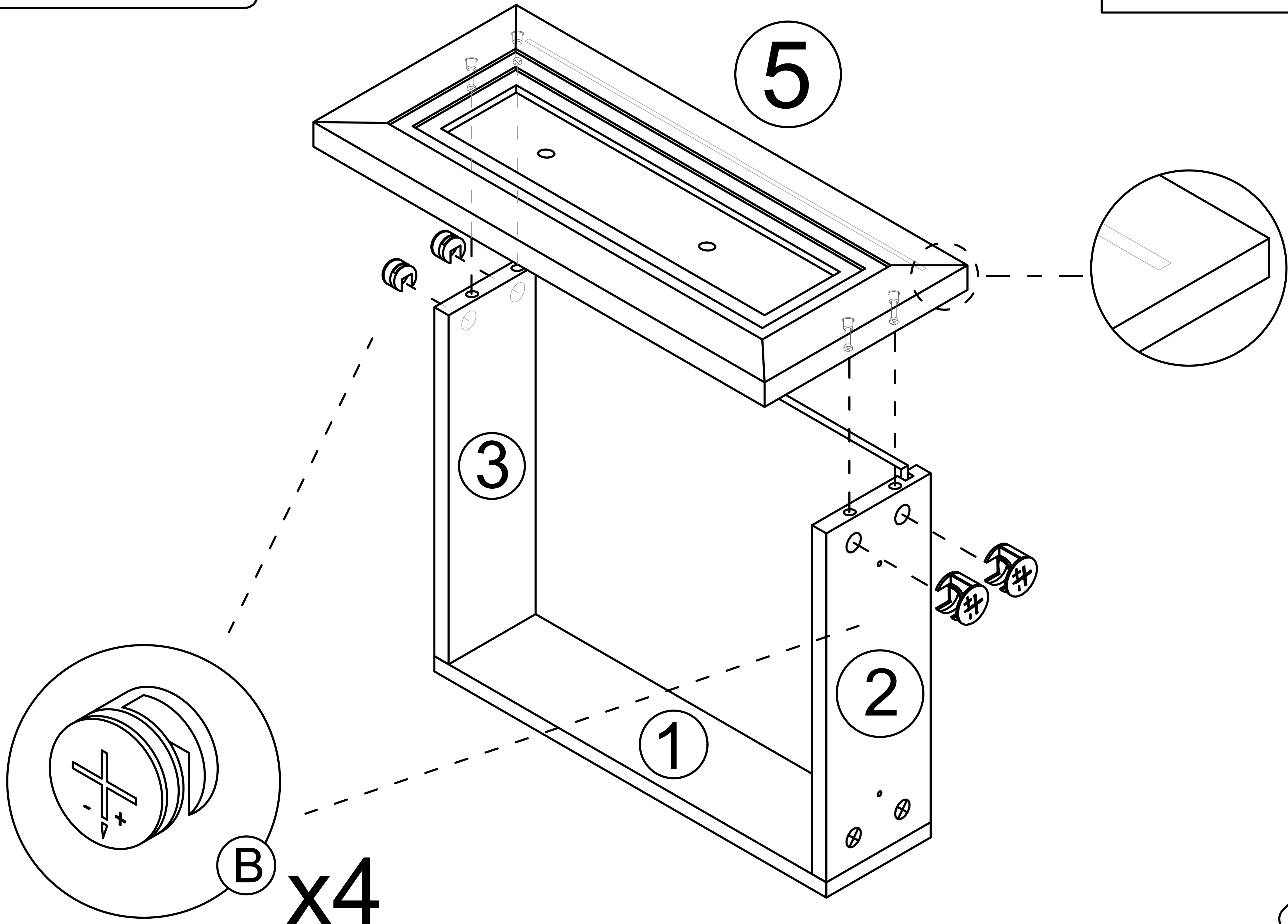
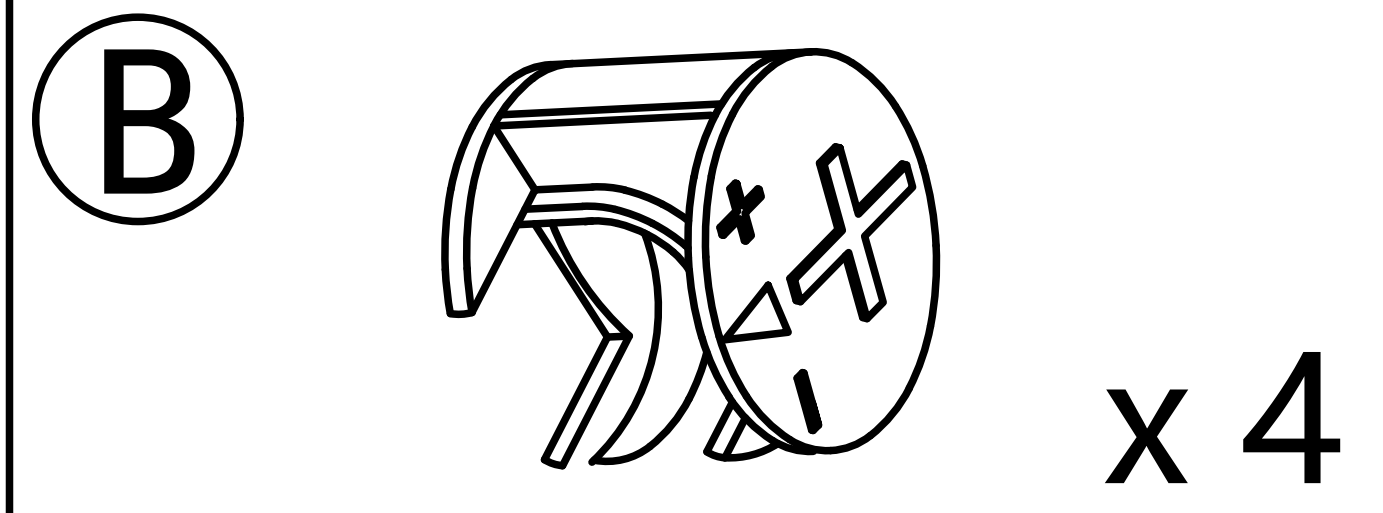
There's lint on this side



Step 4

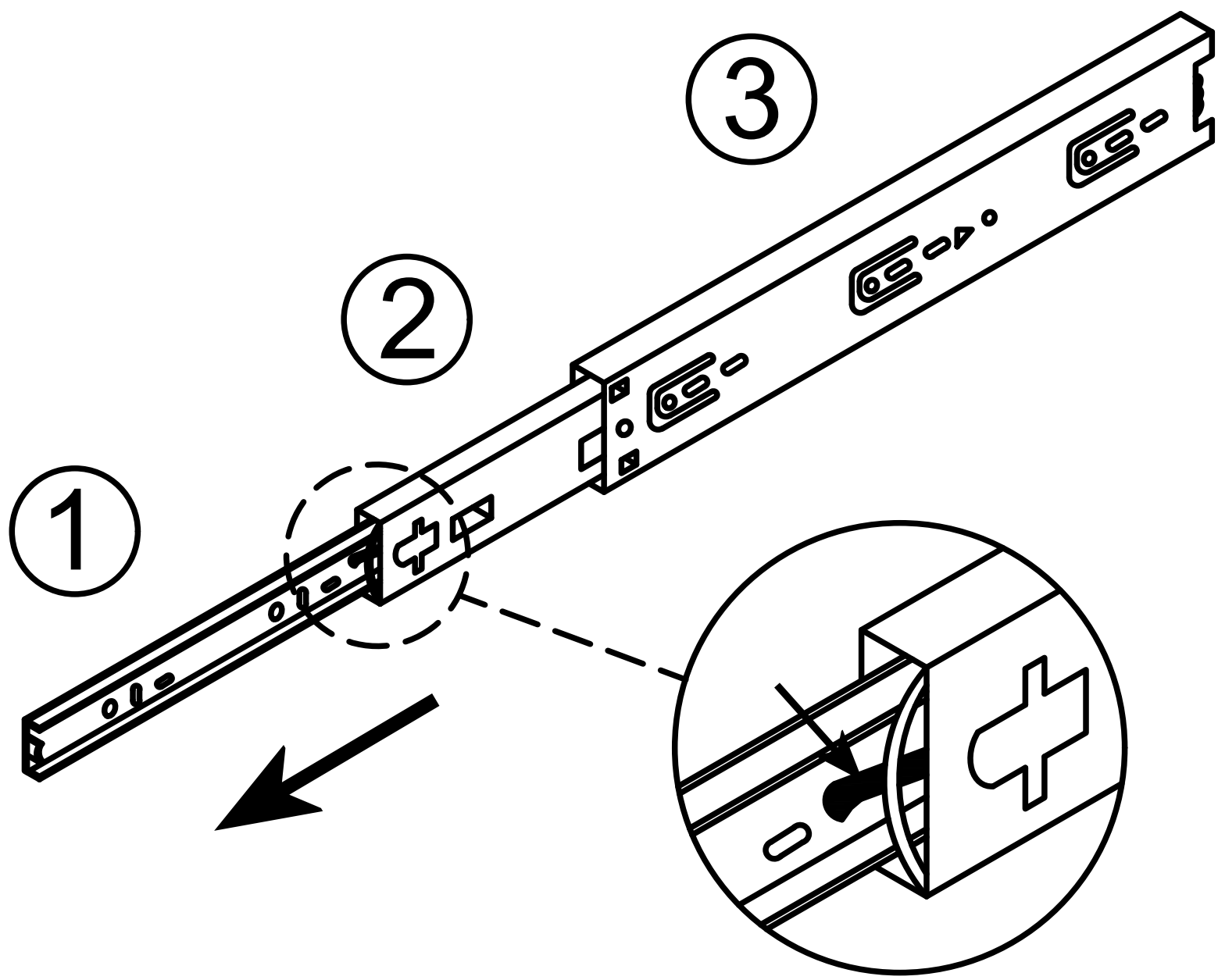


Step 5

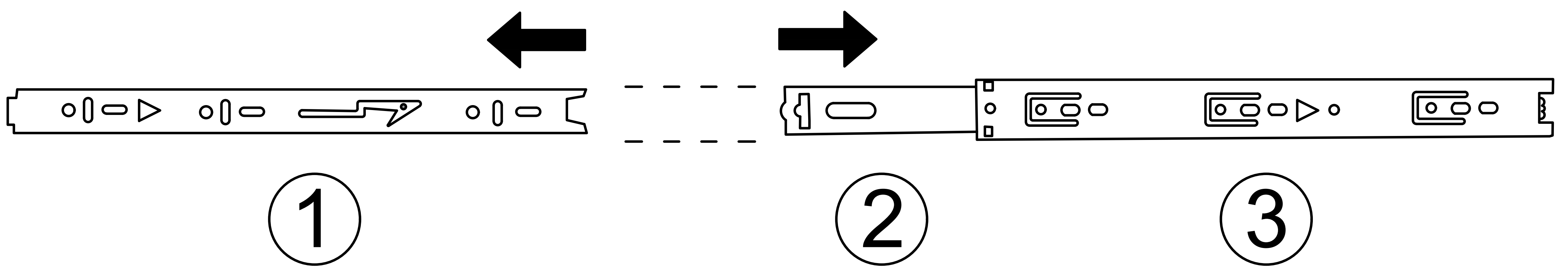
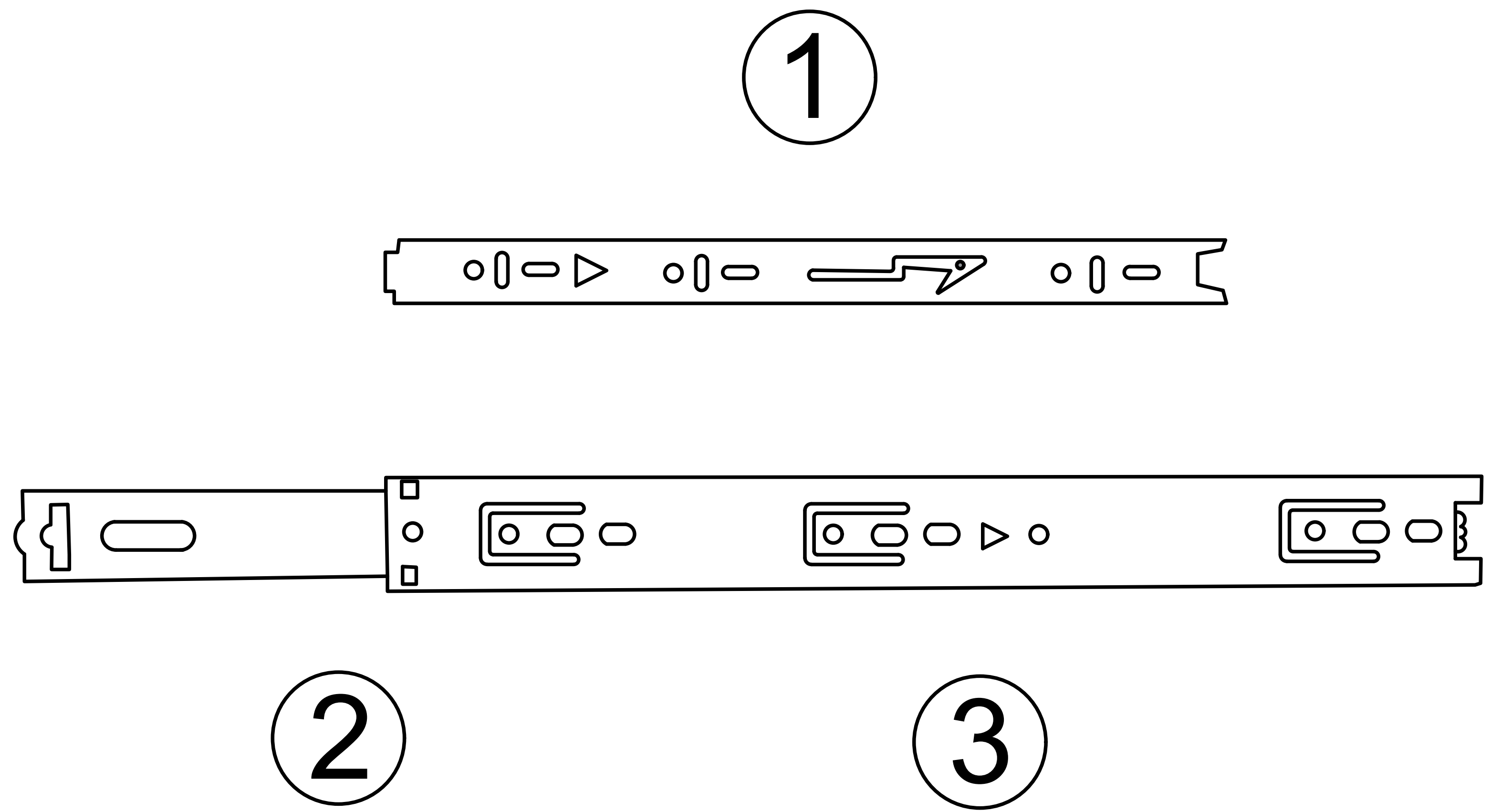


SY

Drawer rail breakdown diagram



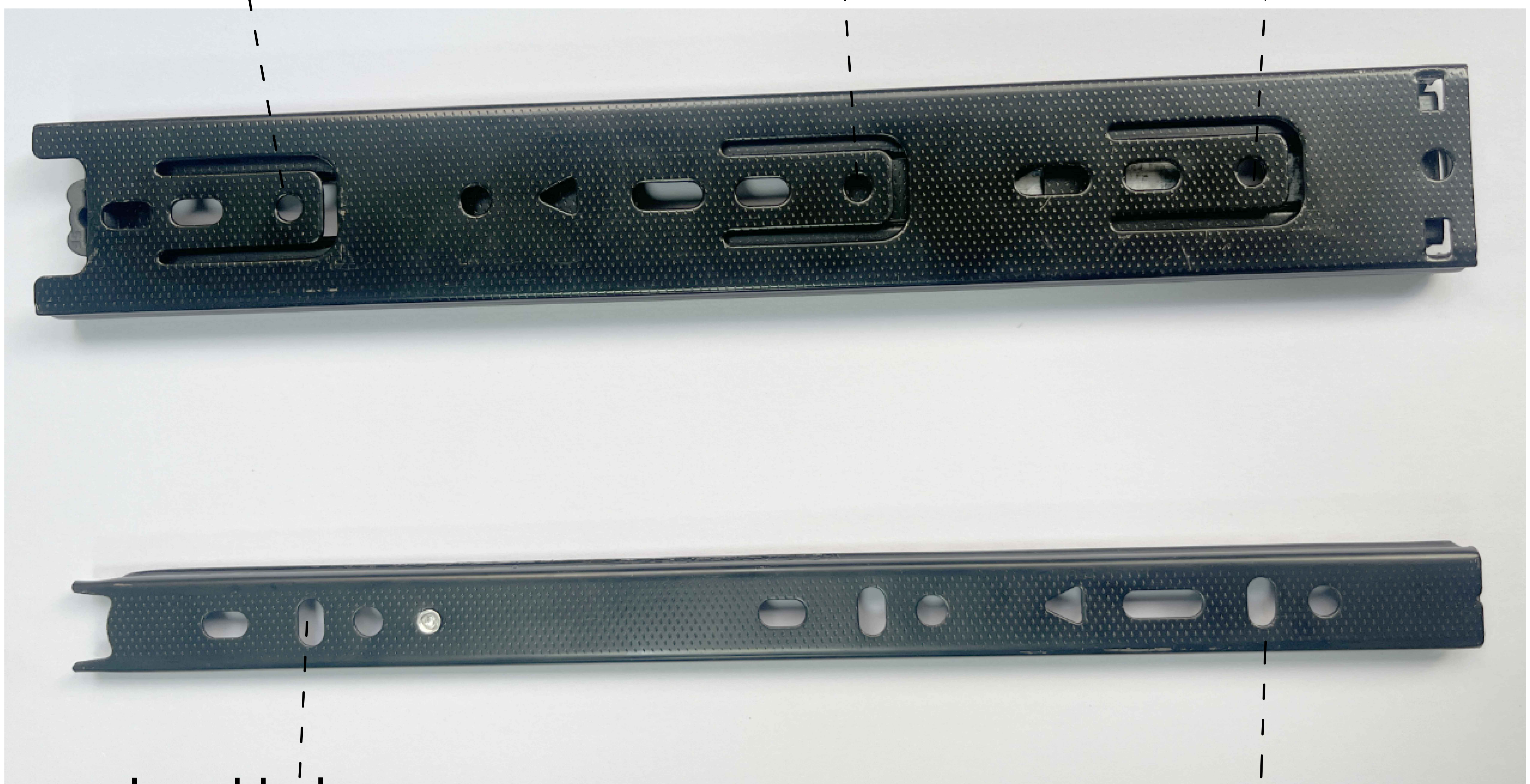
Step 1 : Pull the rails apart
 Step 2 : Push the nylon buckle outward ①



Lead hole screw position

Reinforcement screw position

Lead hole screw position

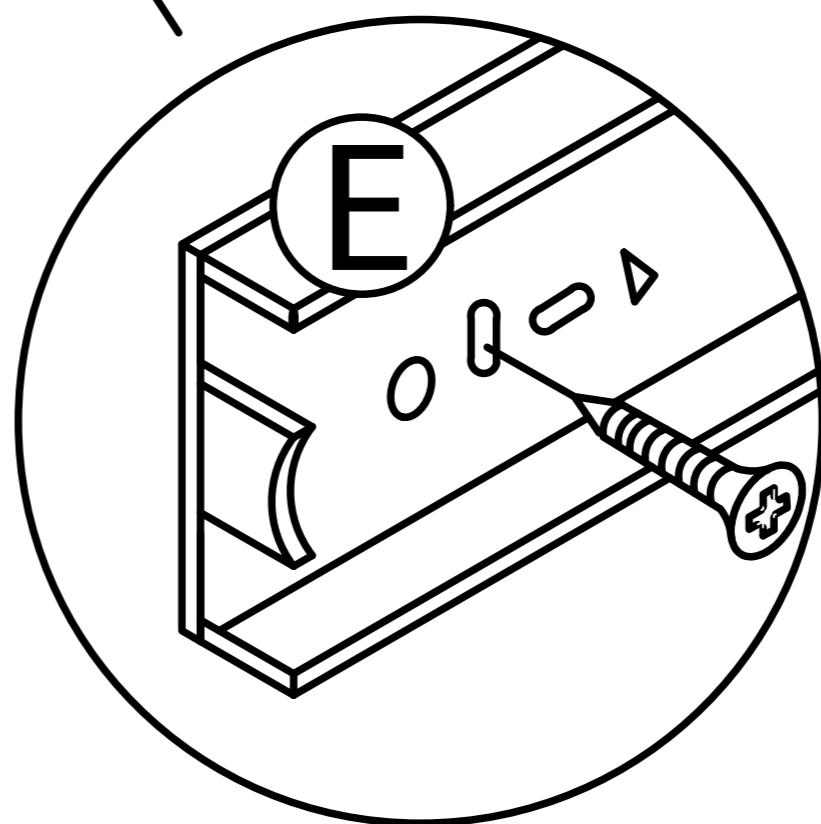
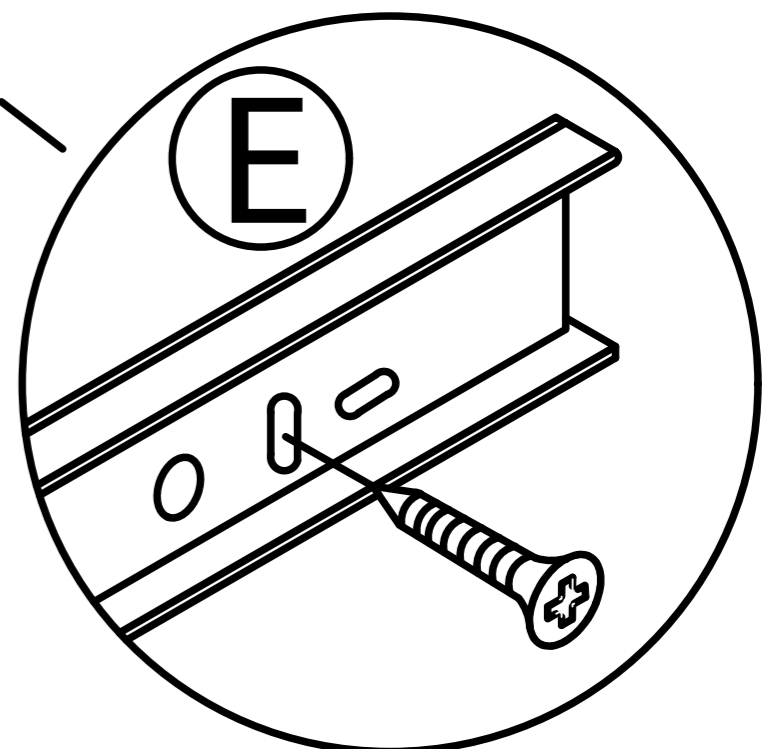
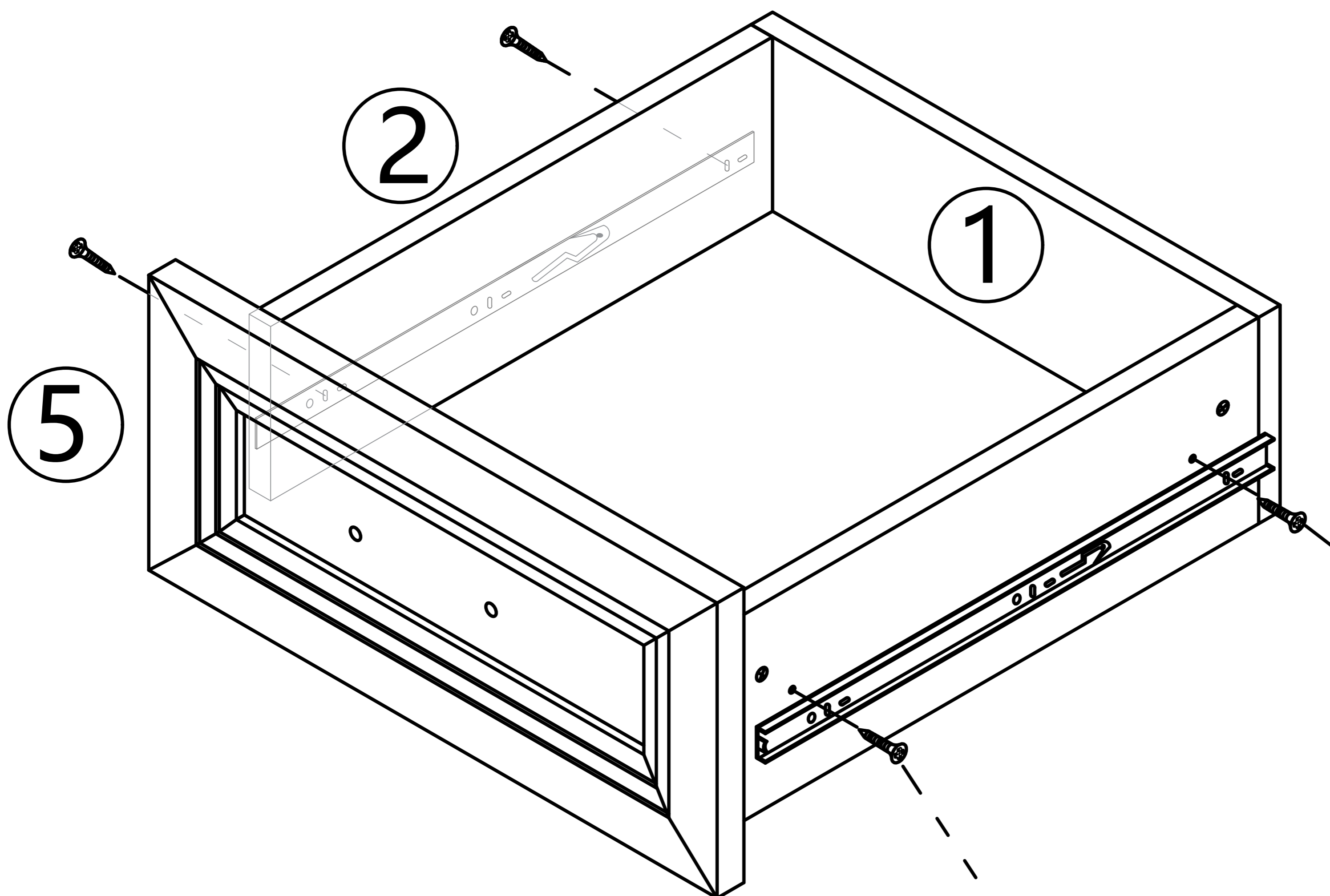
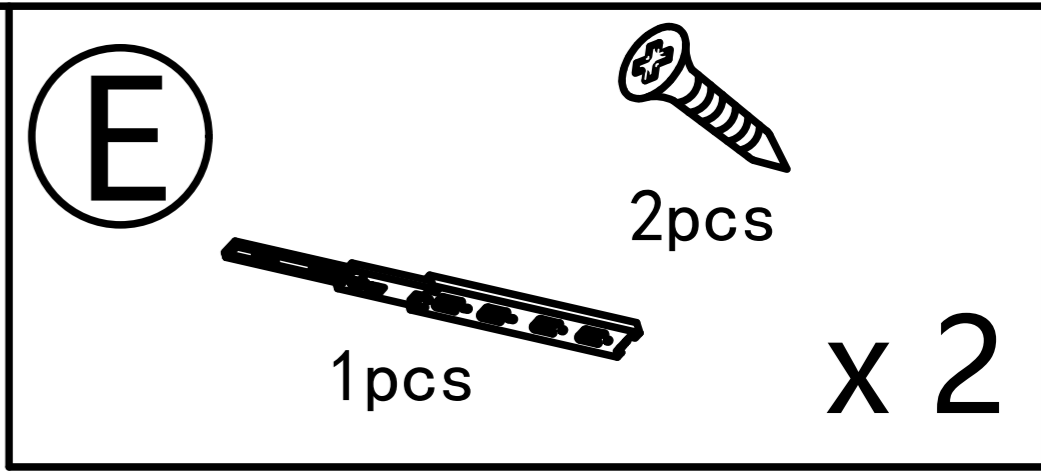
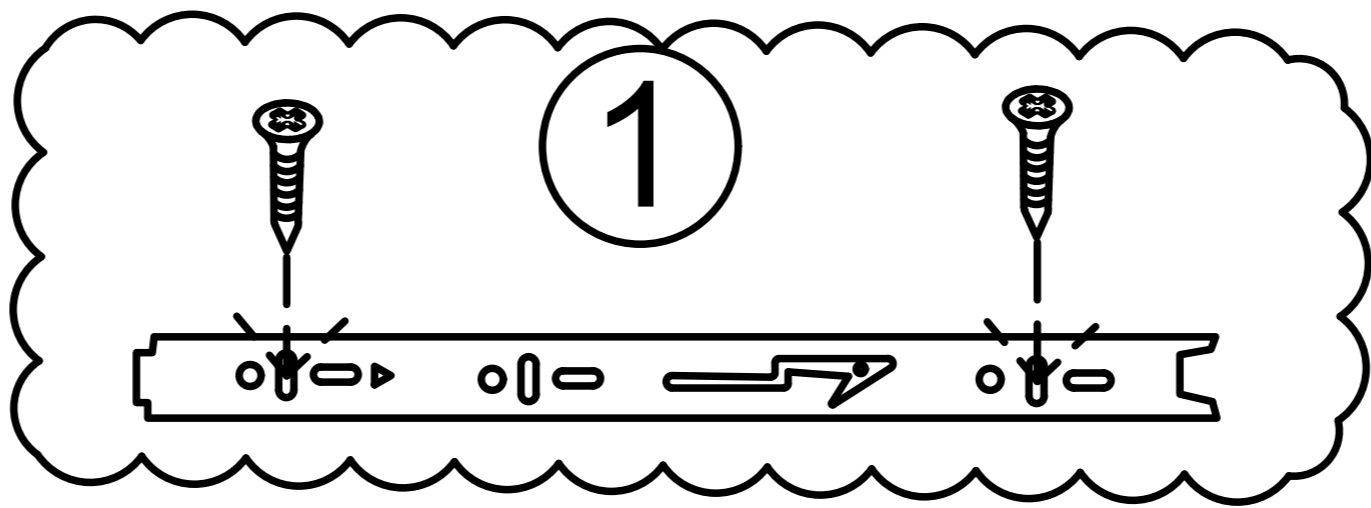


Lead hole screw position

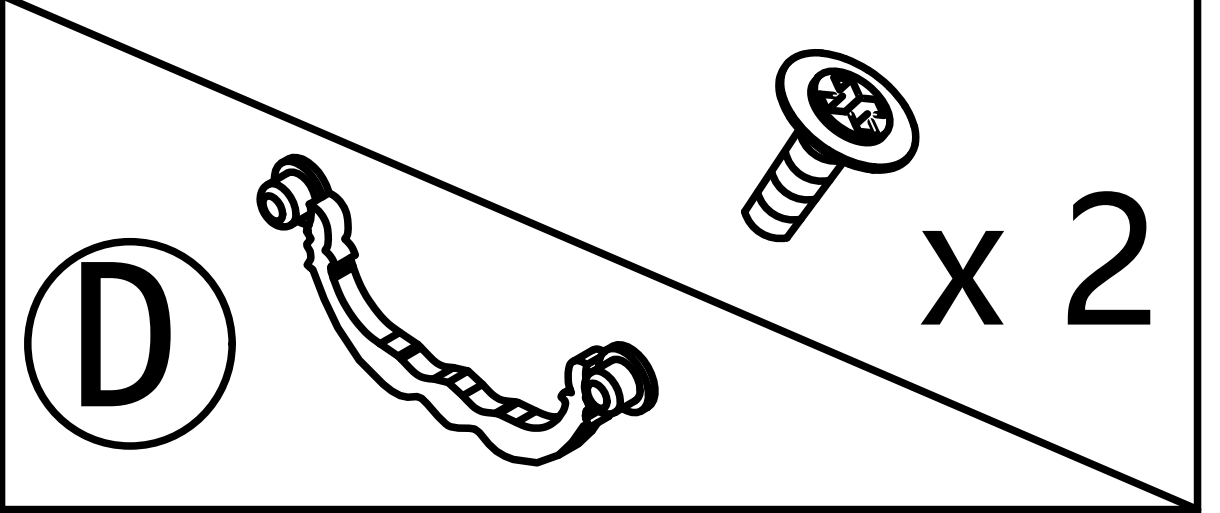
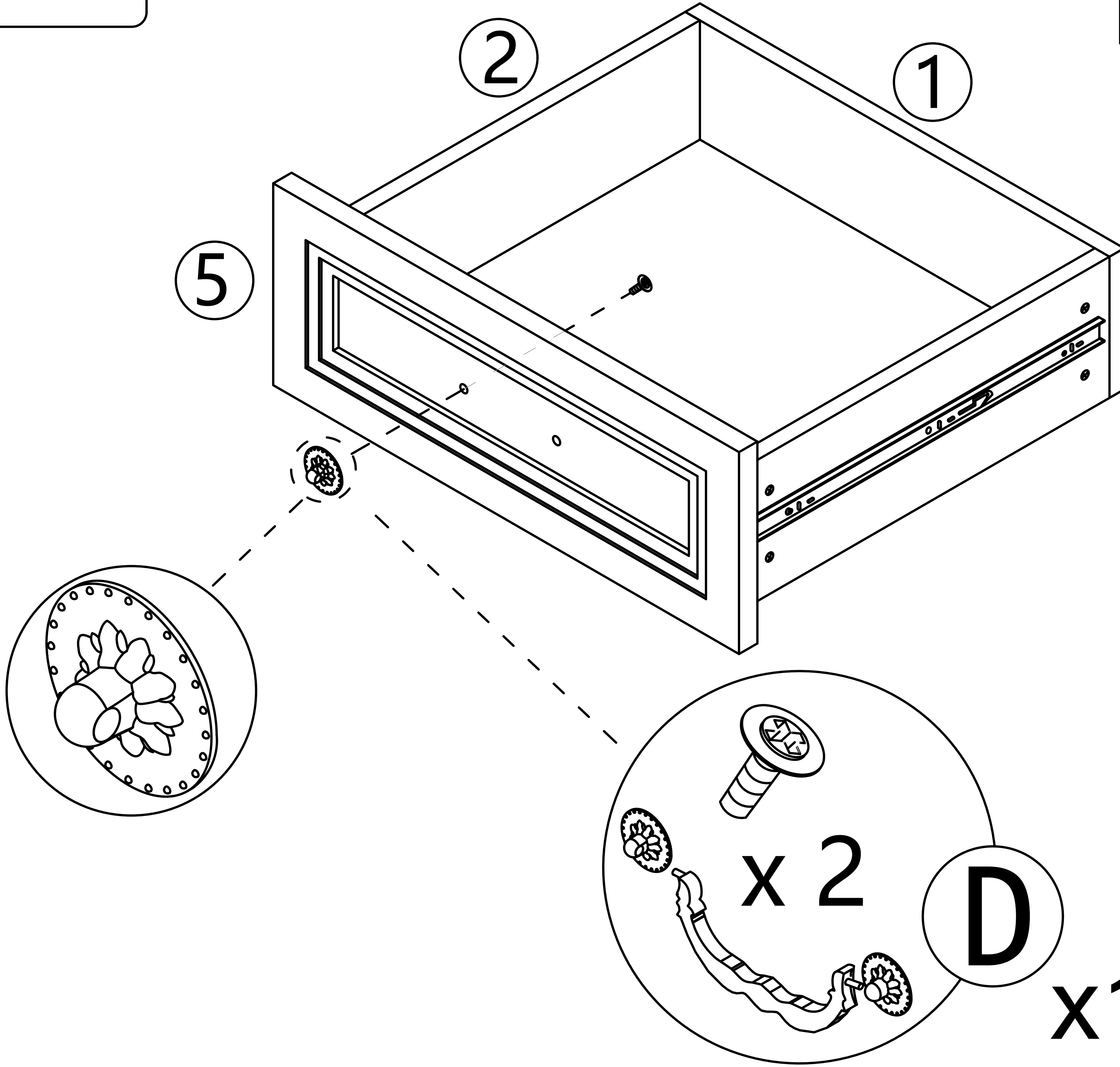
Lead hole screw position

SY

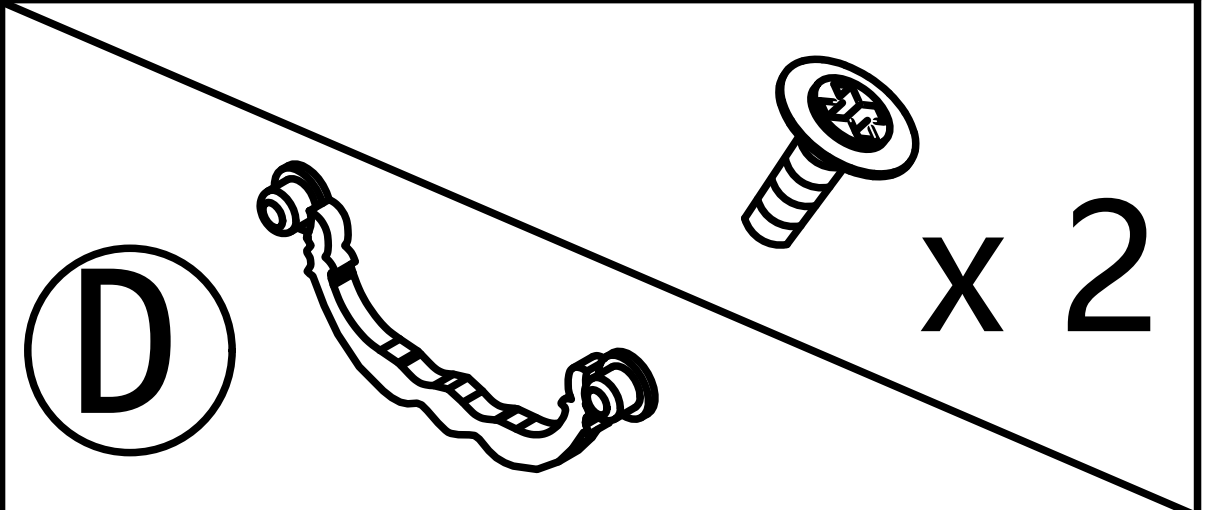
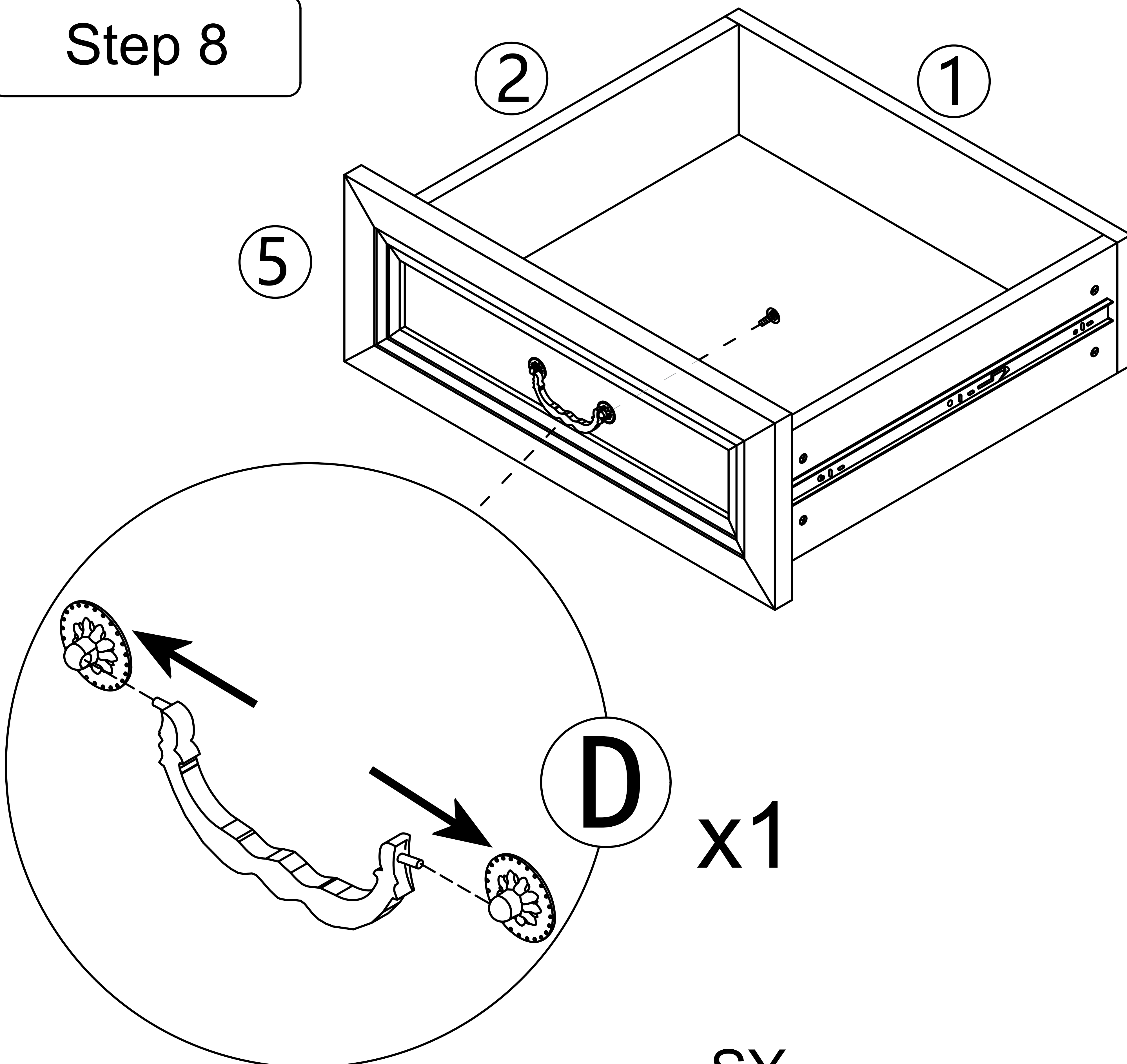
Step 6



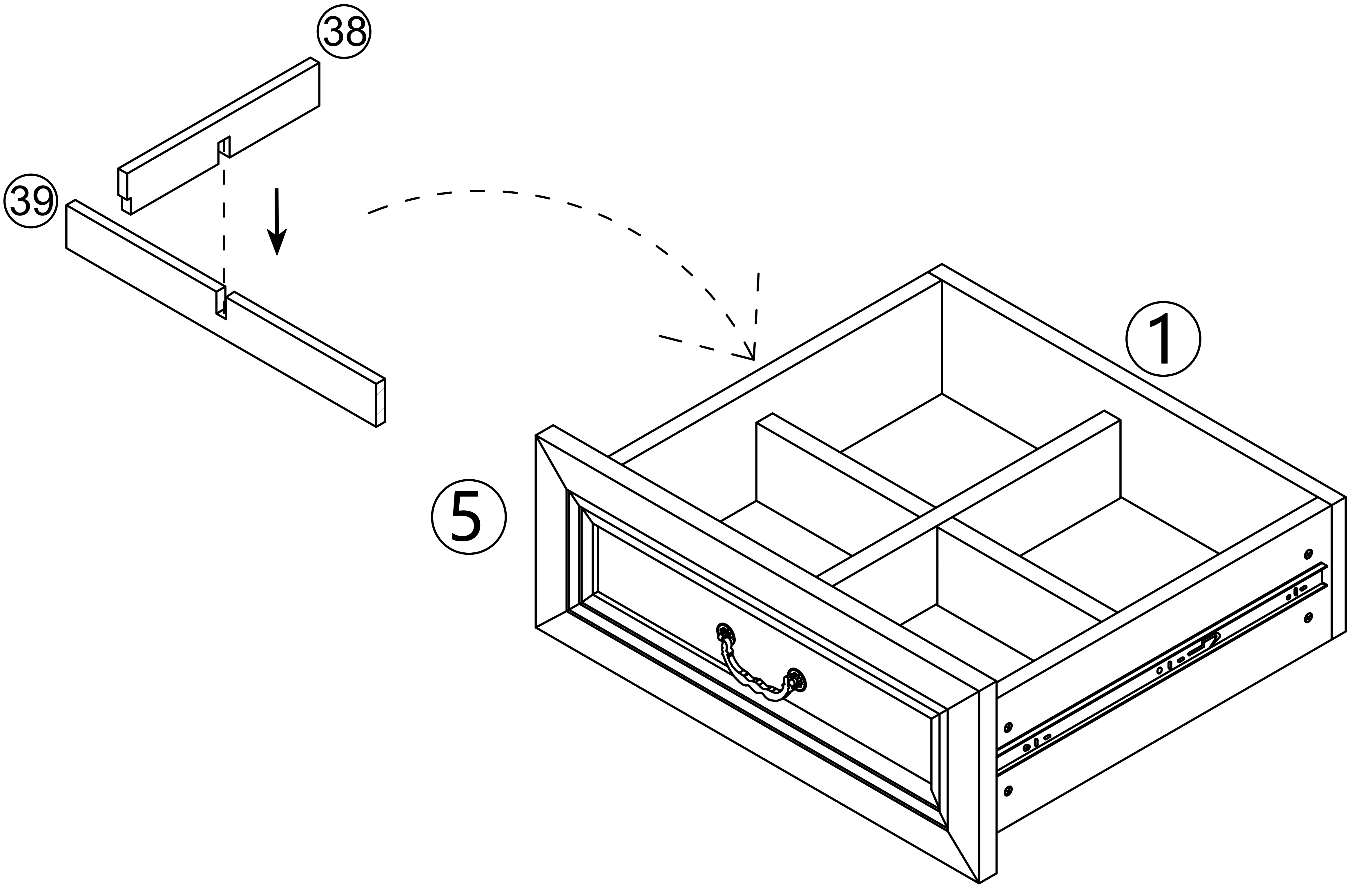
Step 7



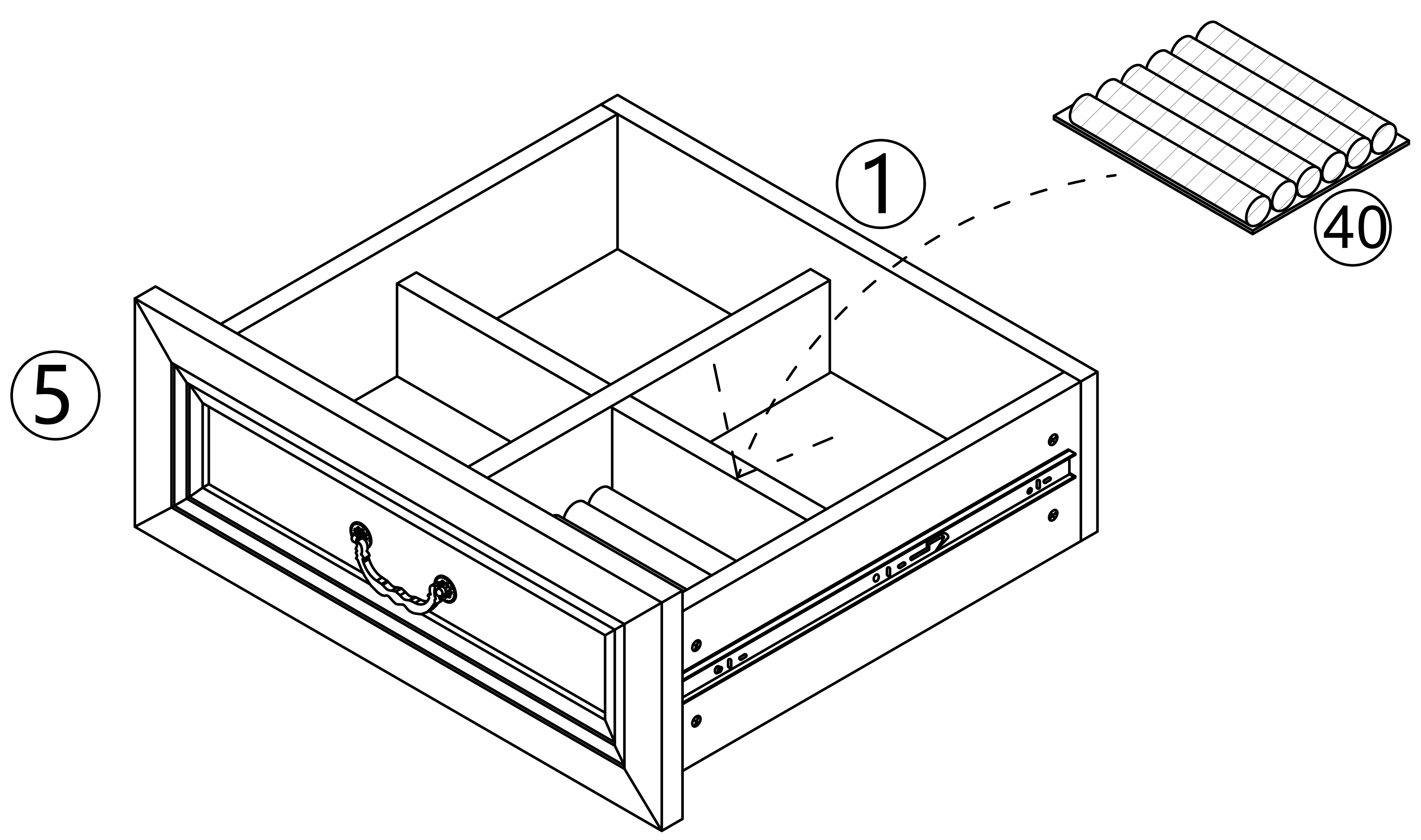
Step 8



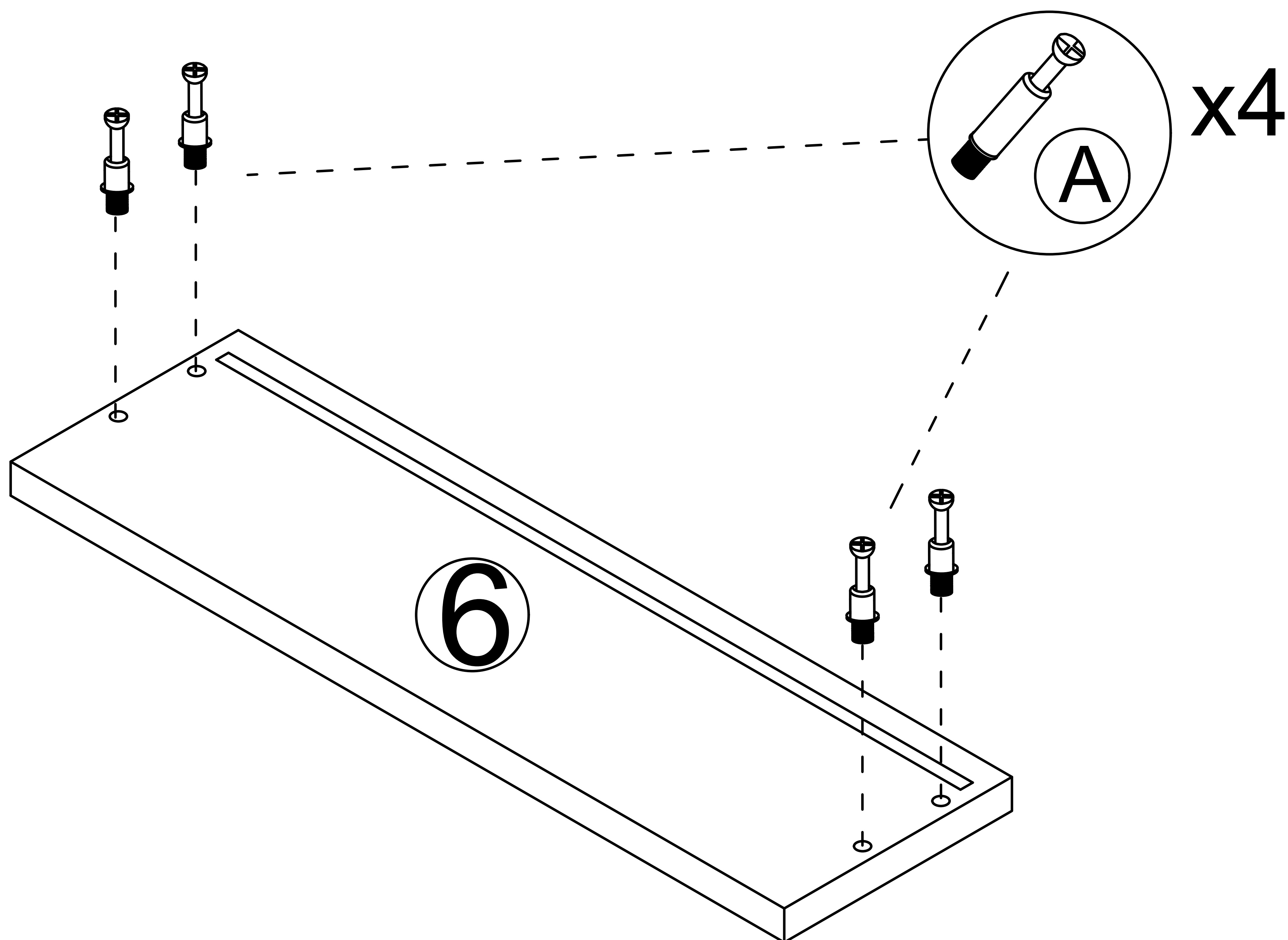
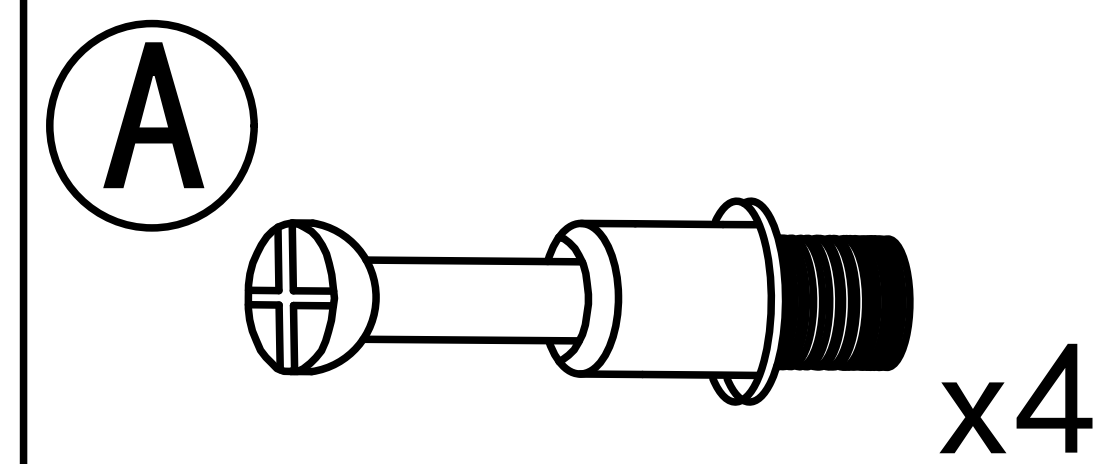
Step 9



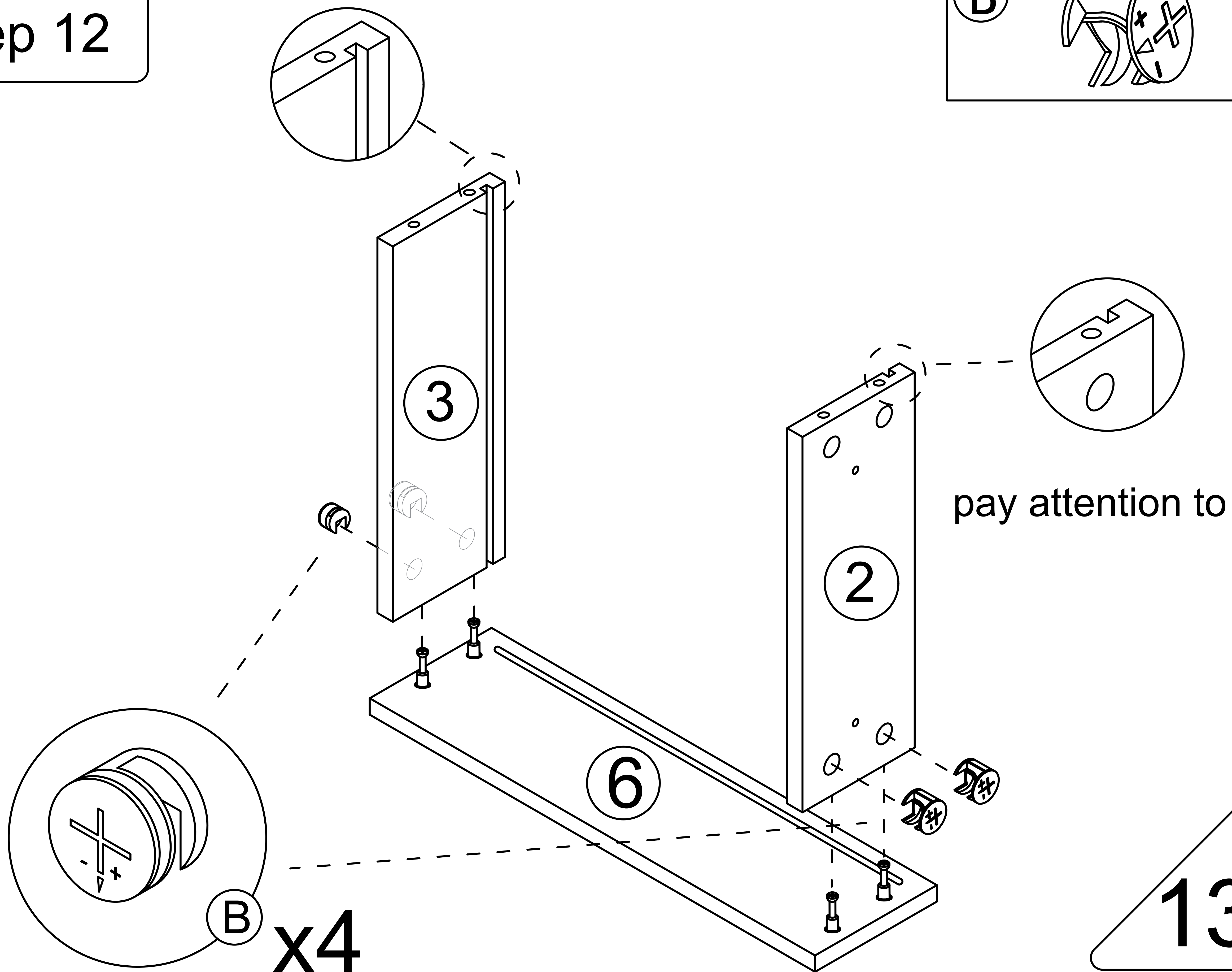
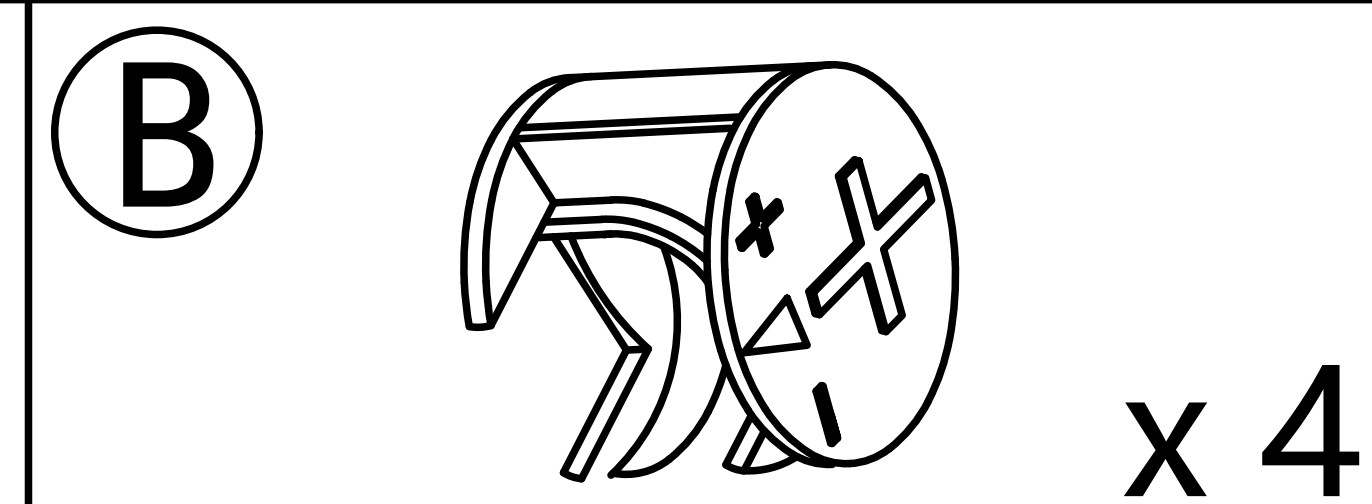
Step 10



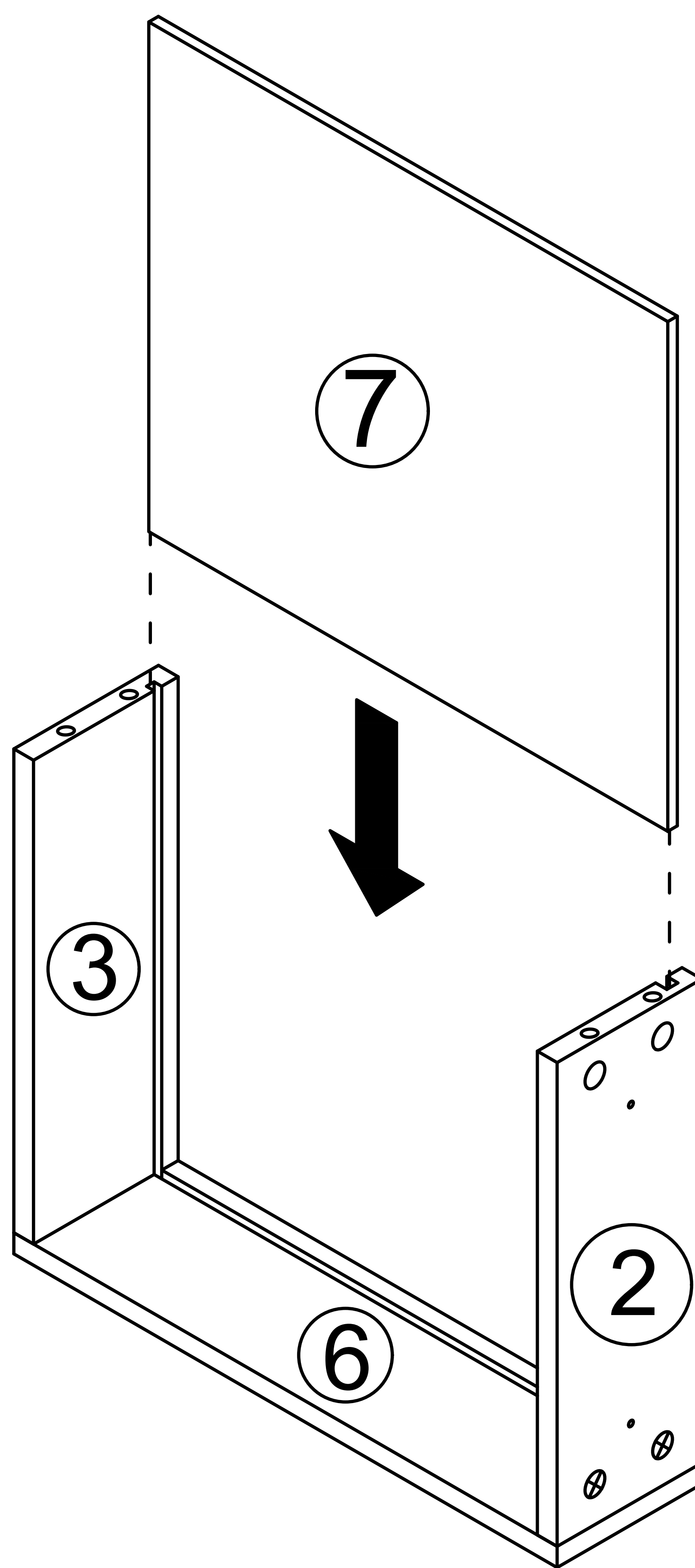
Step 11



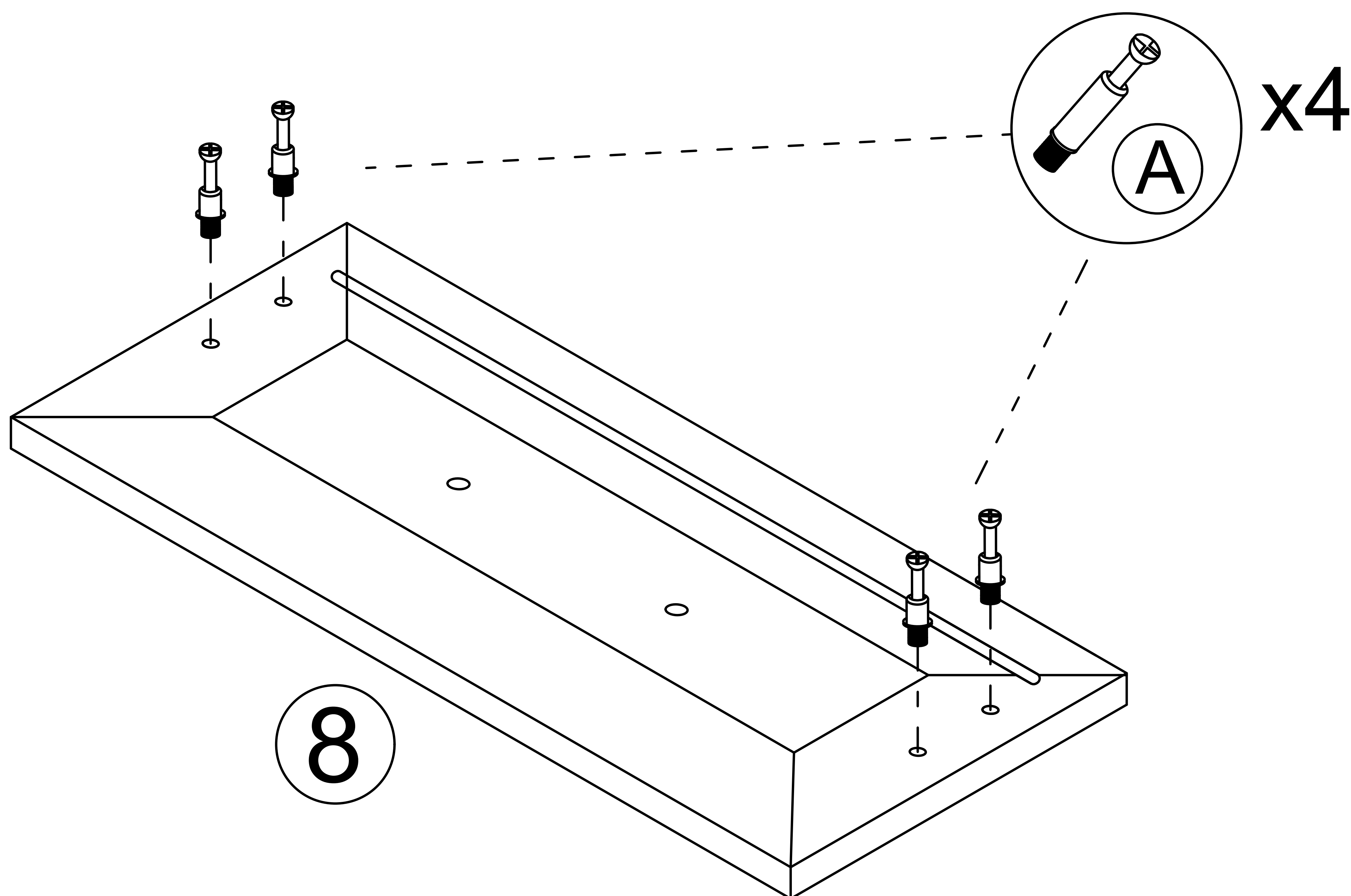
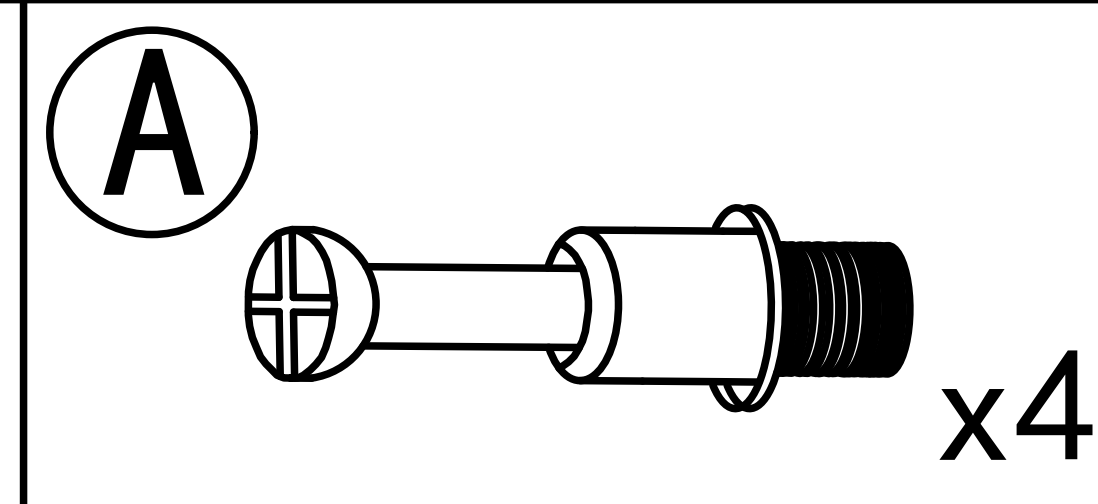
Step 12



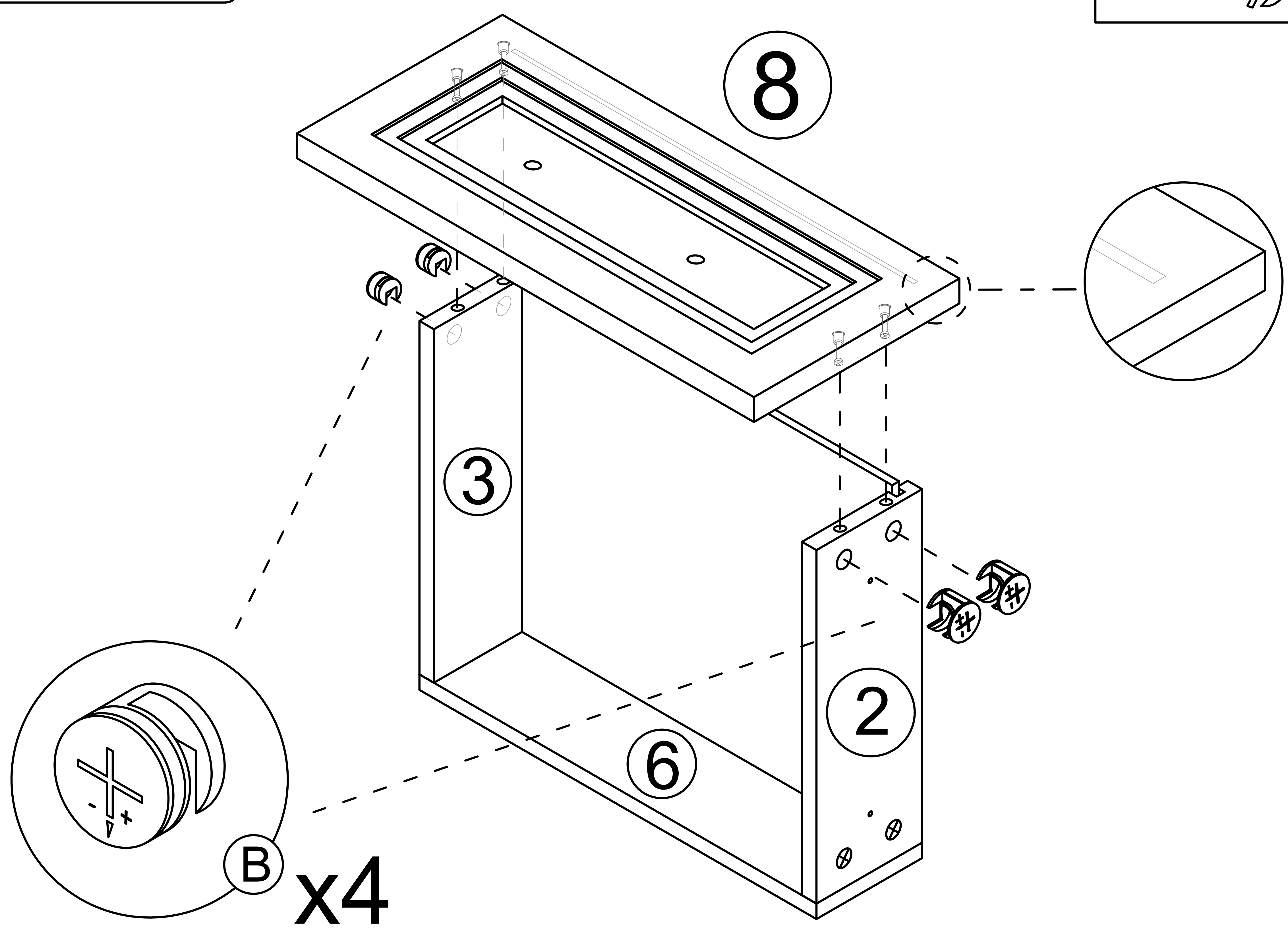
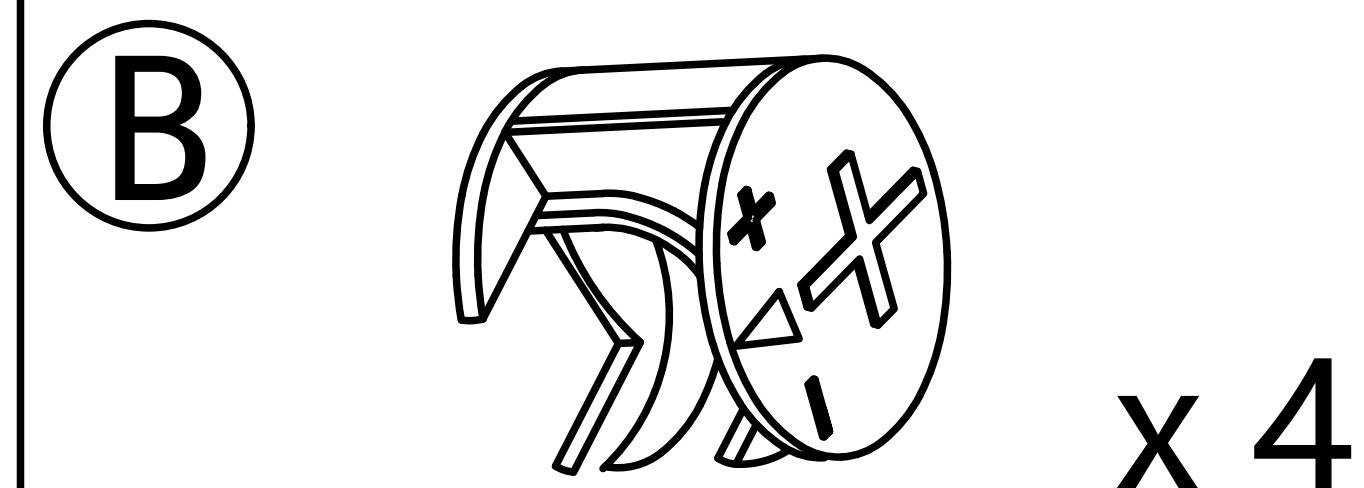
Step 13



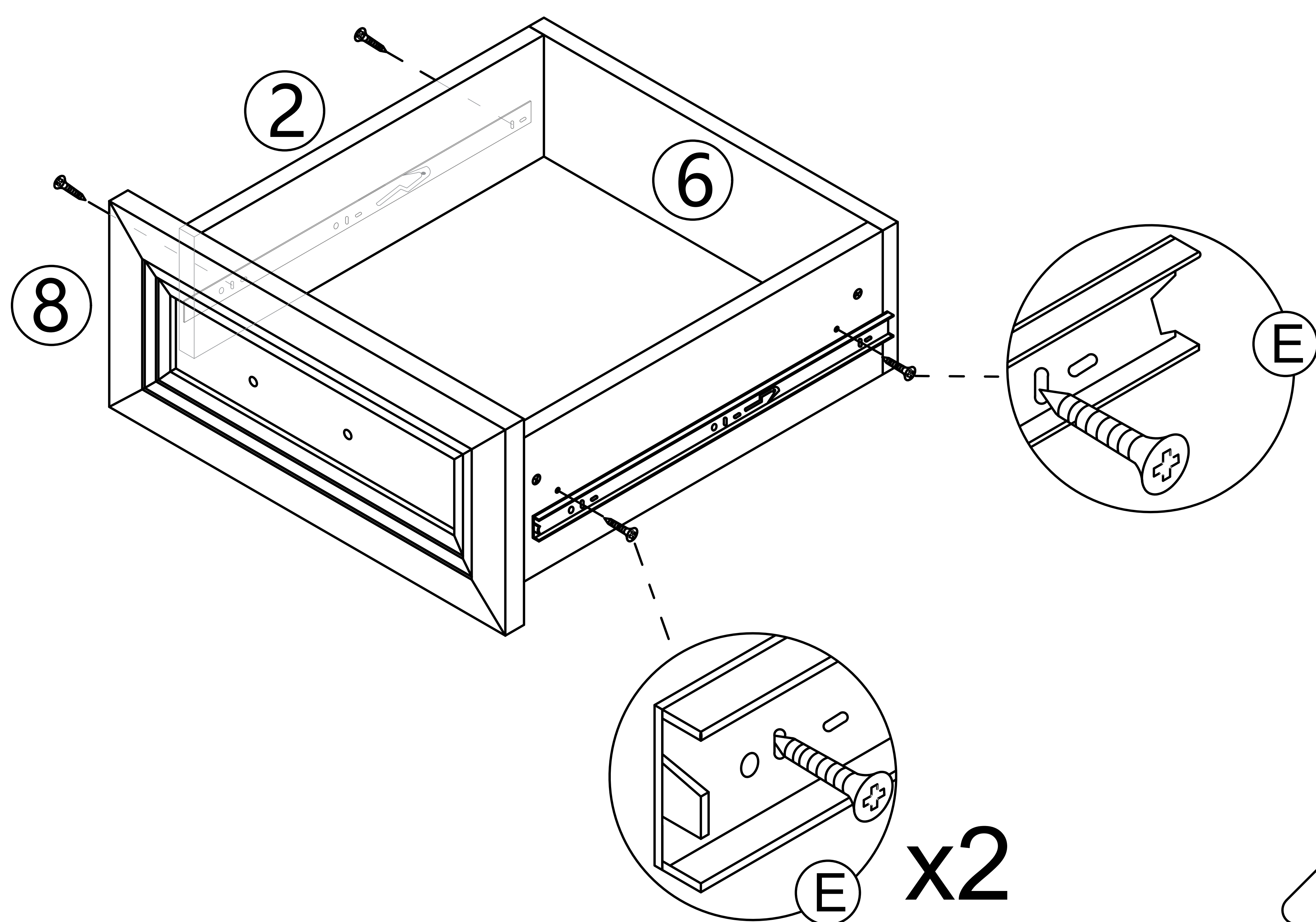
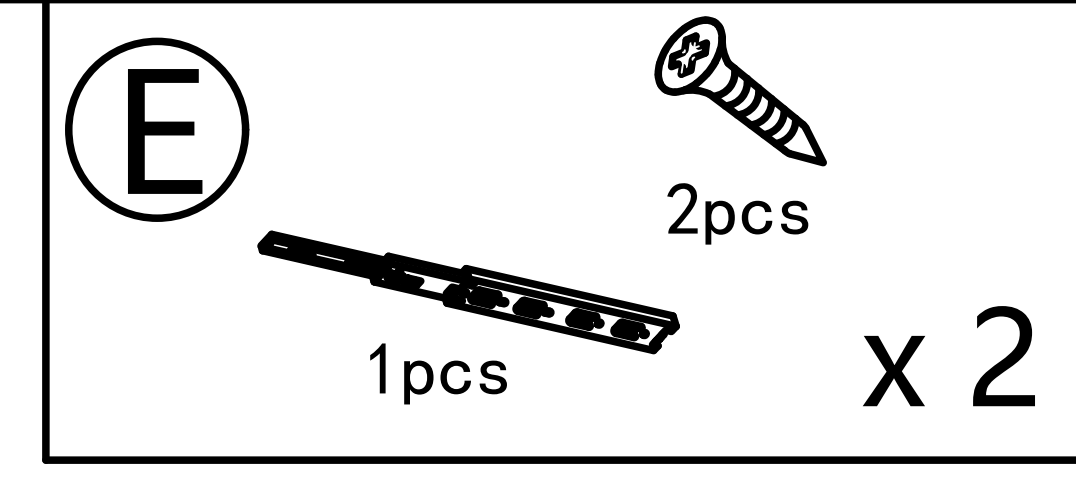
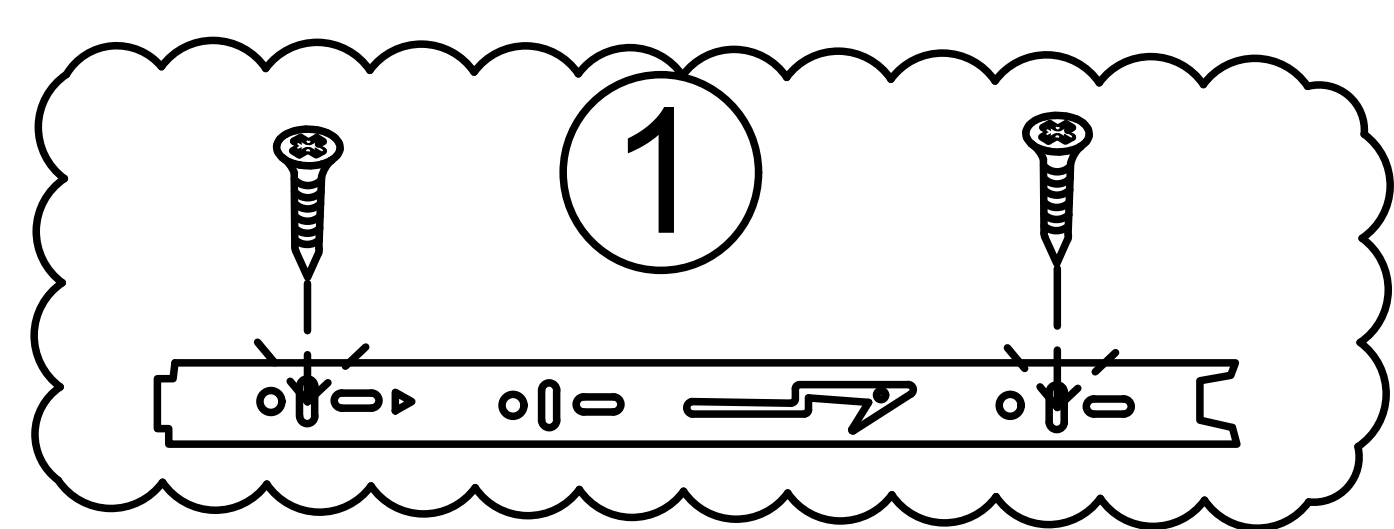
Step 14



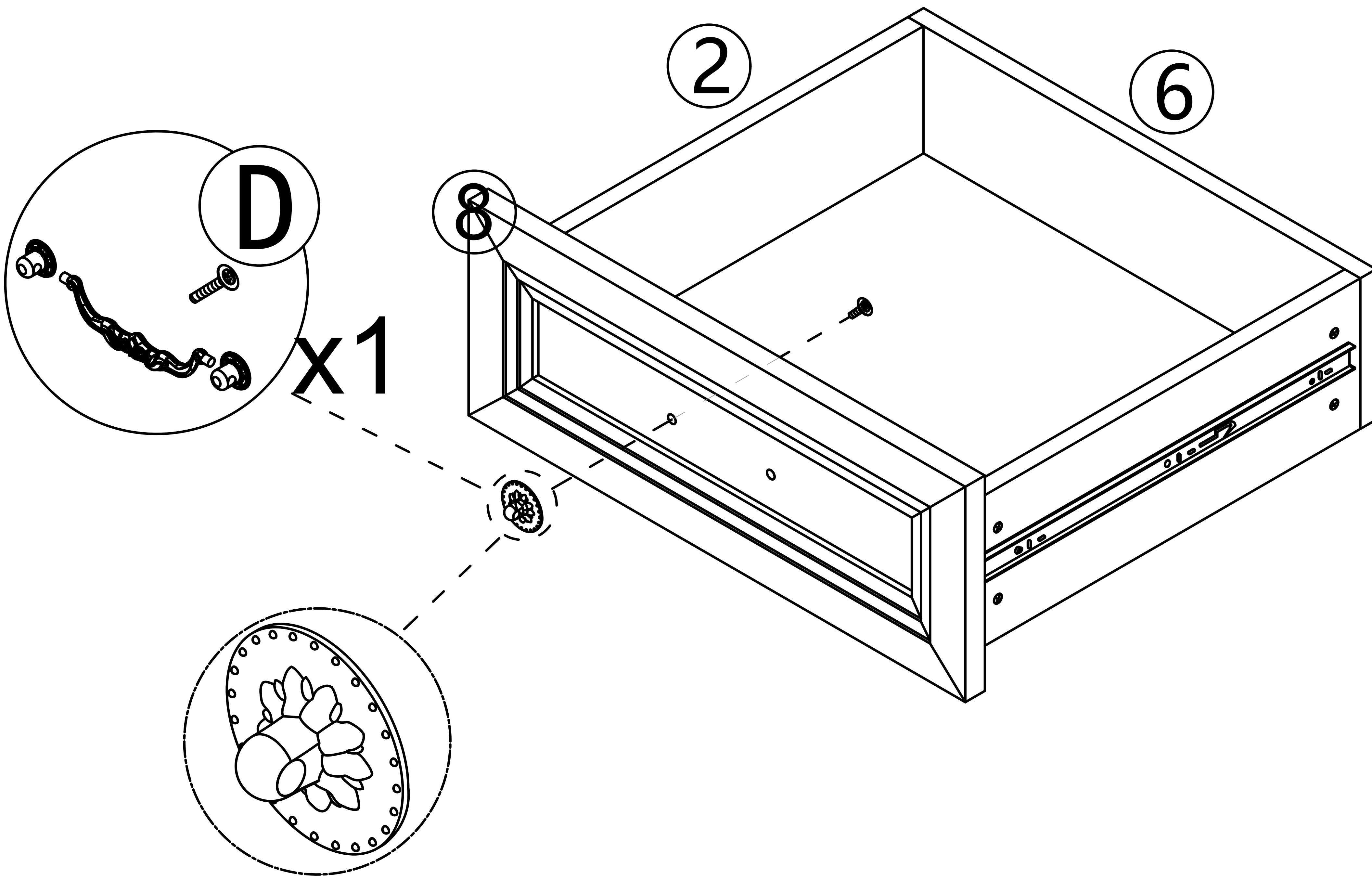
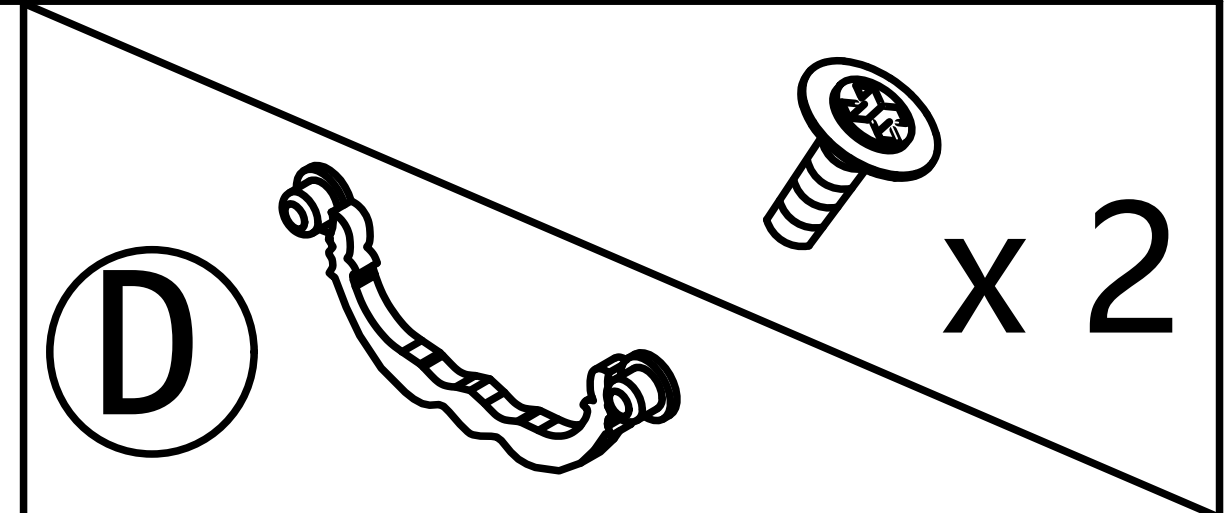
Step 15



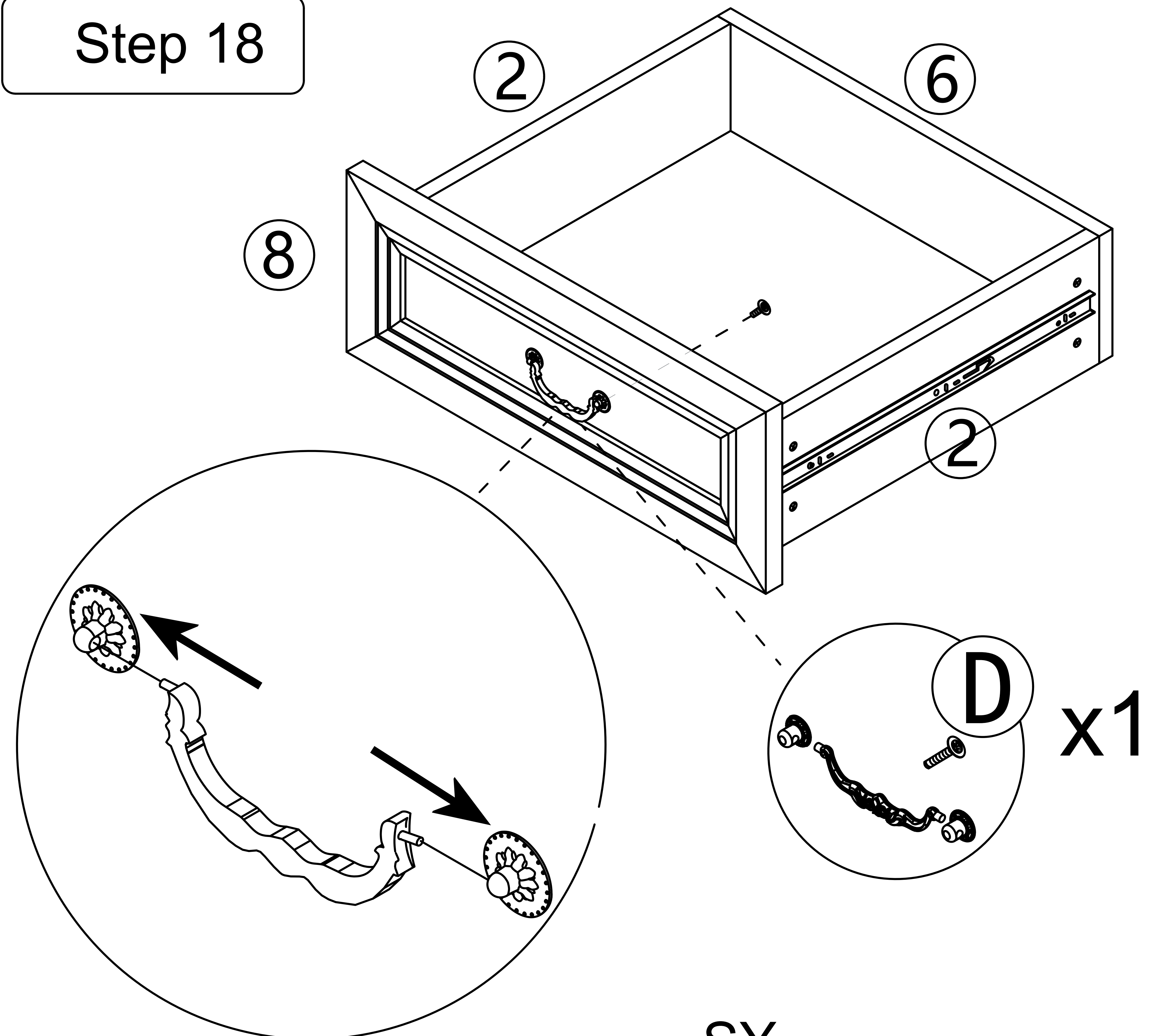
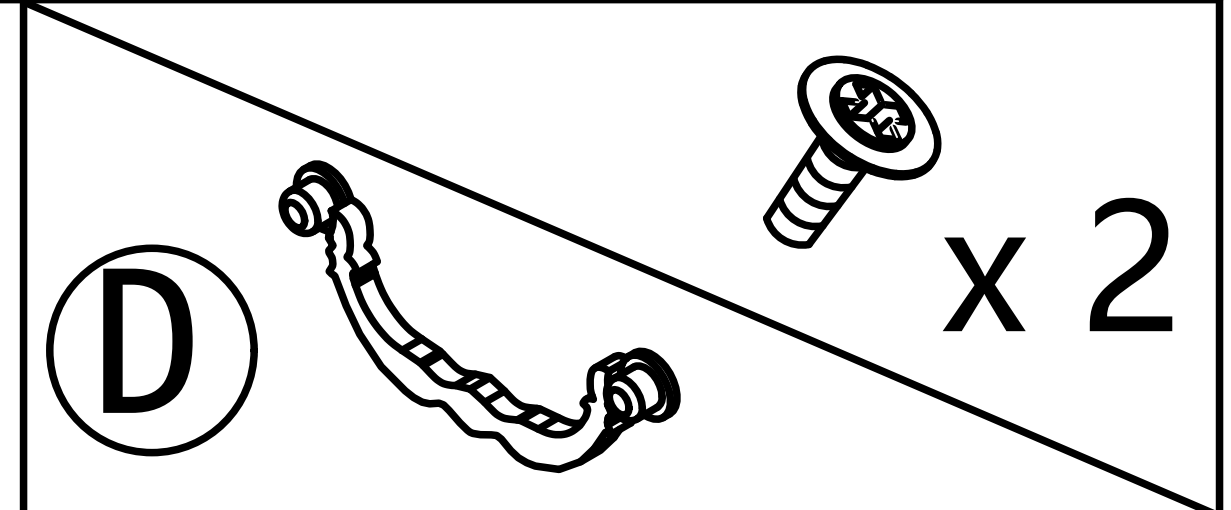
Step 16



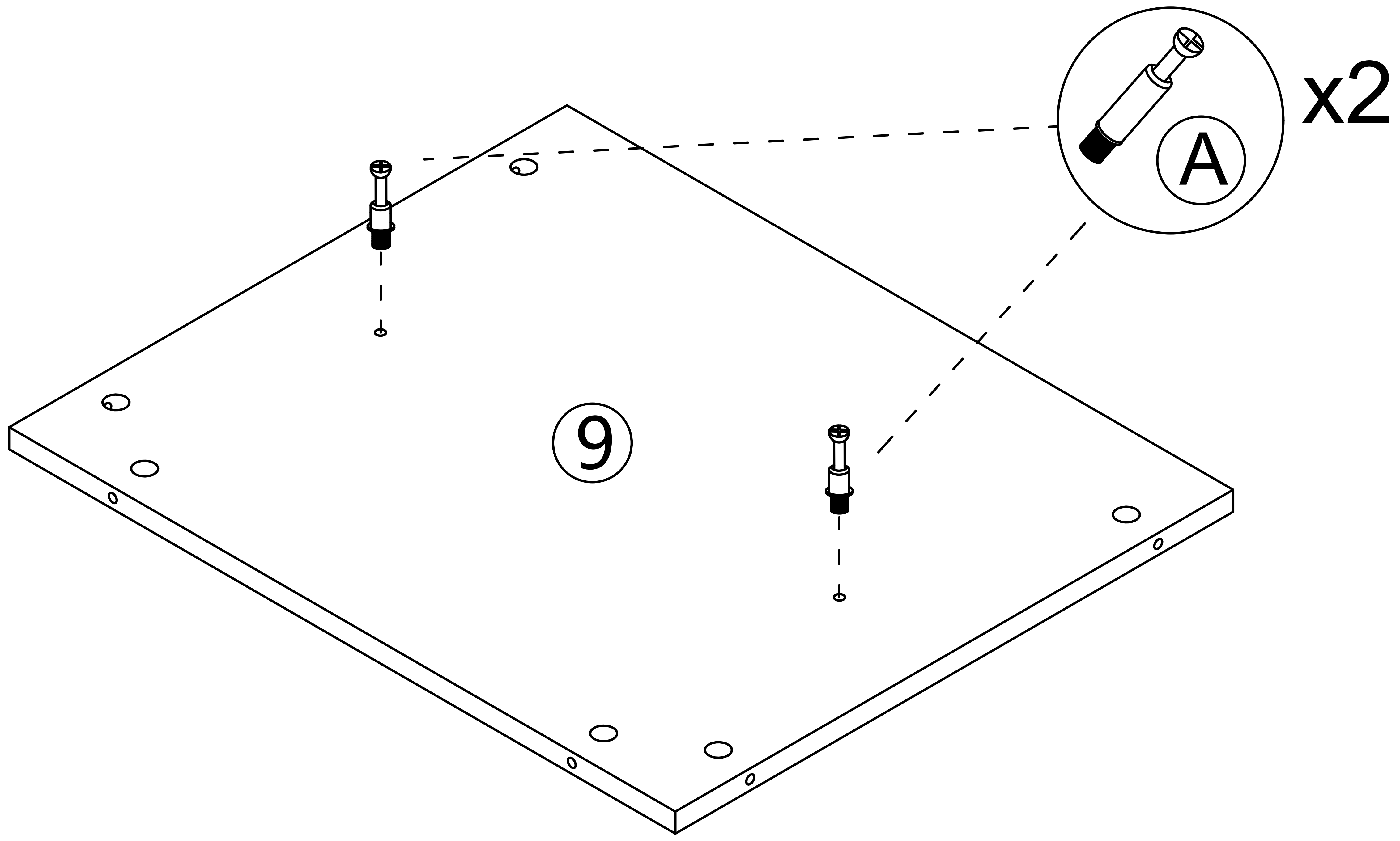
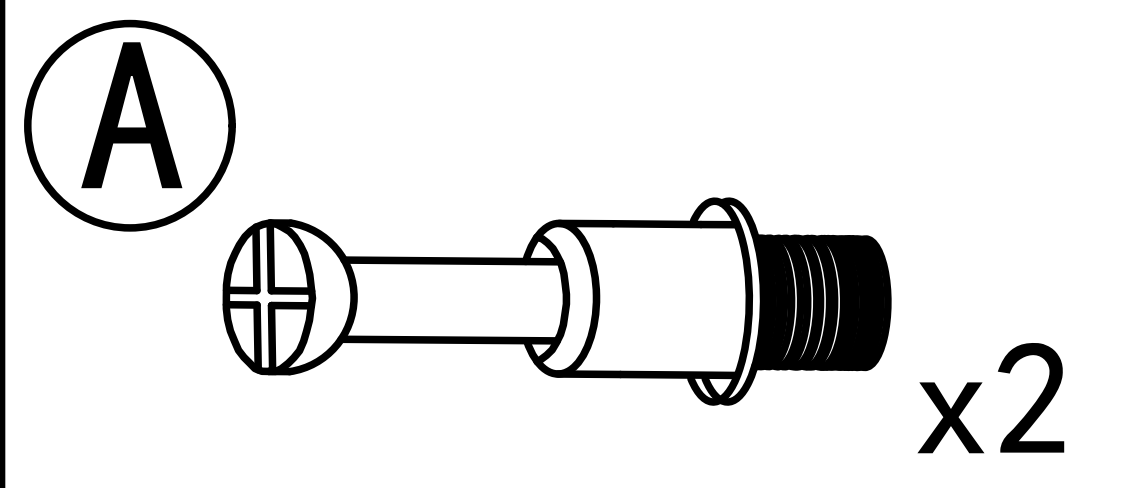
Step 17



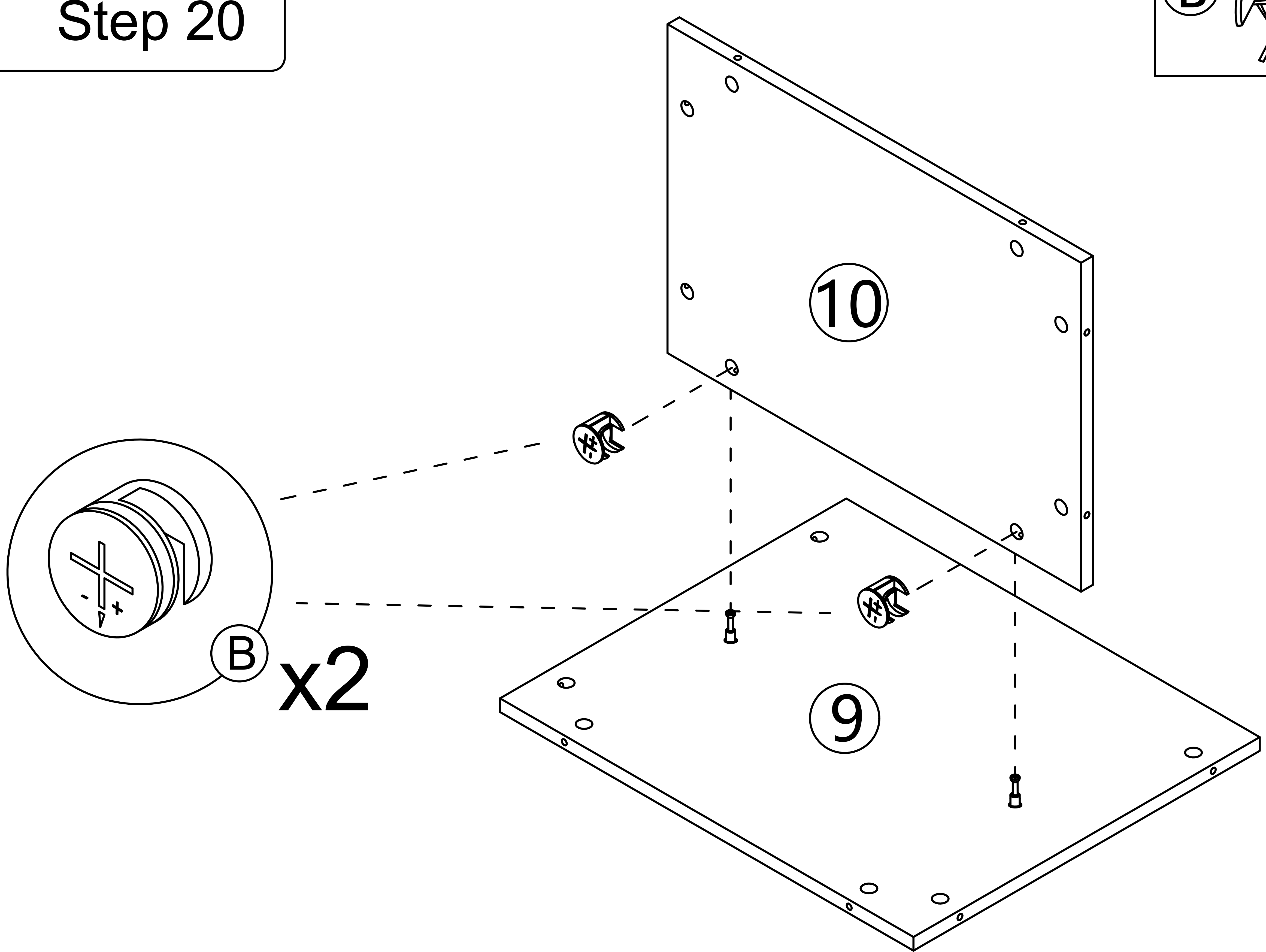
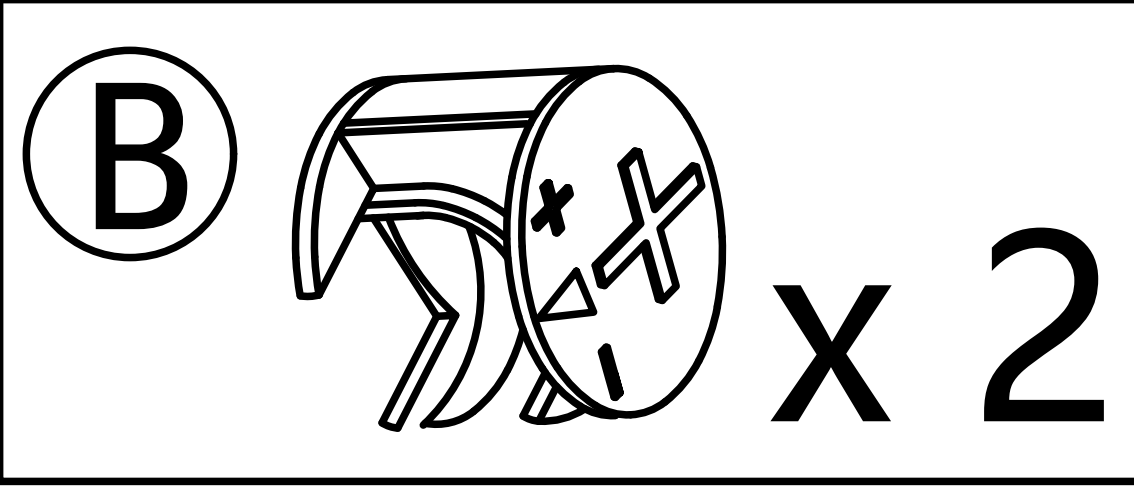
Step 18



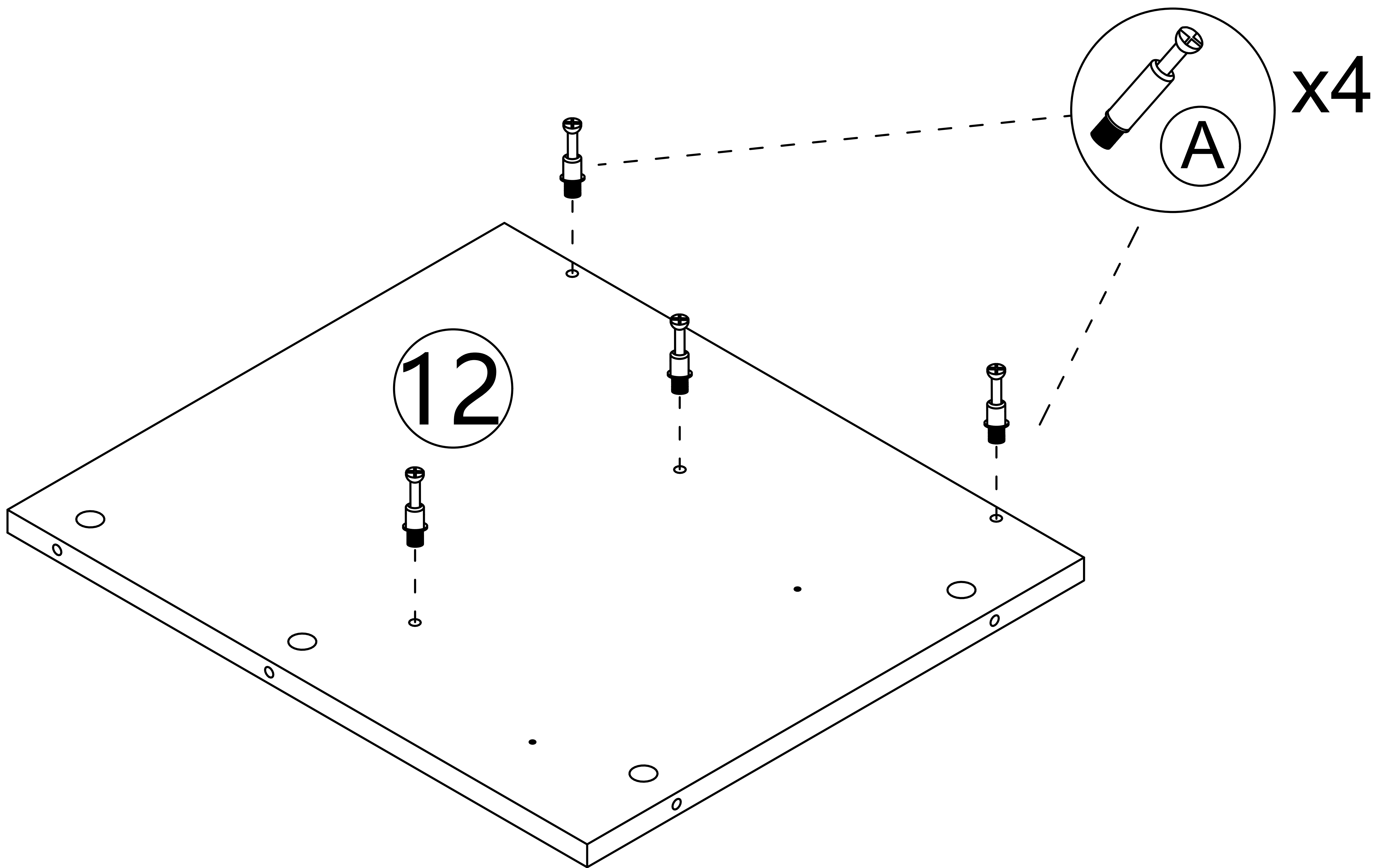
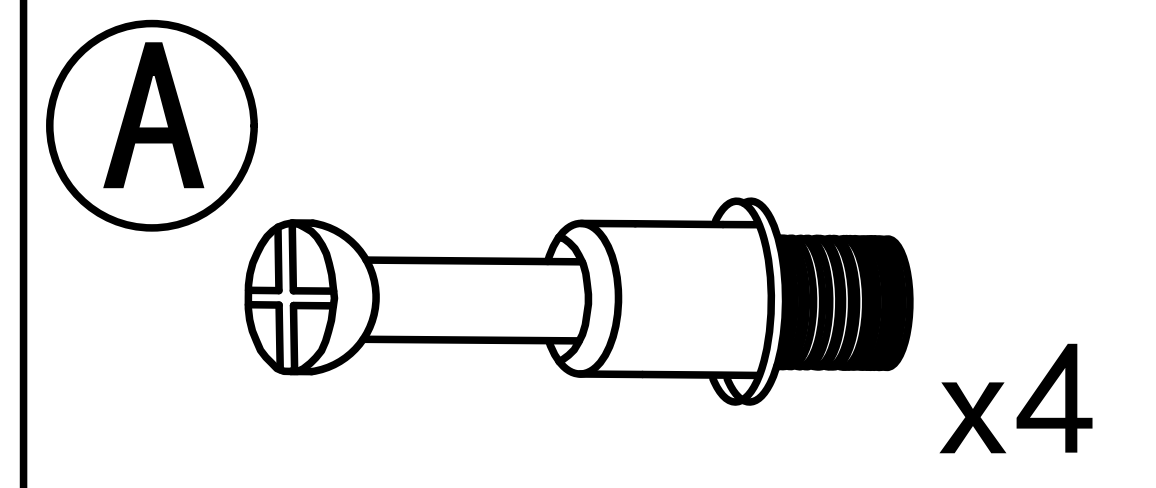
Step 19



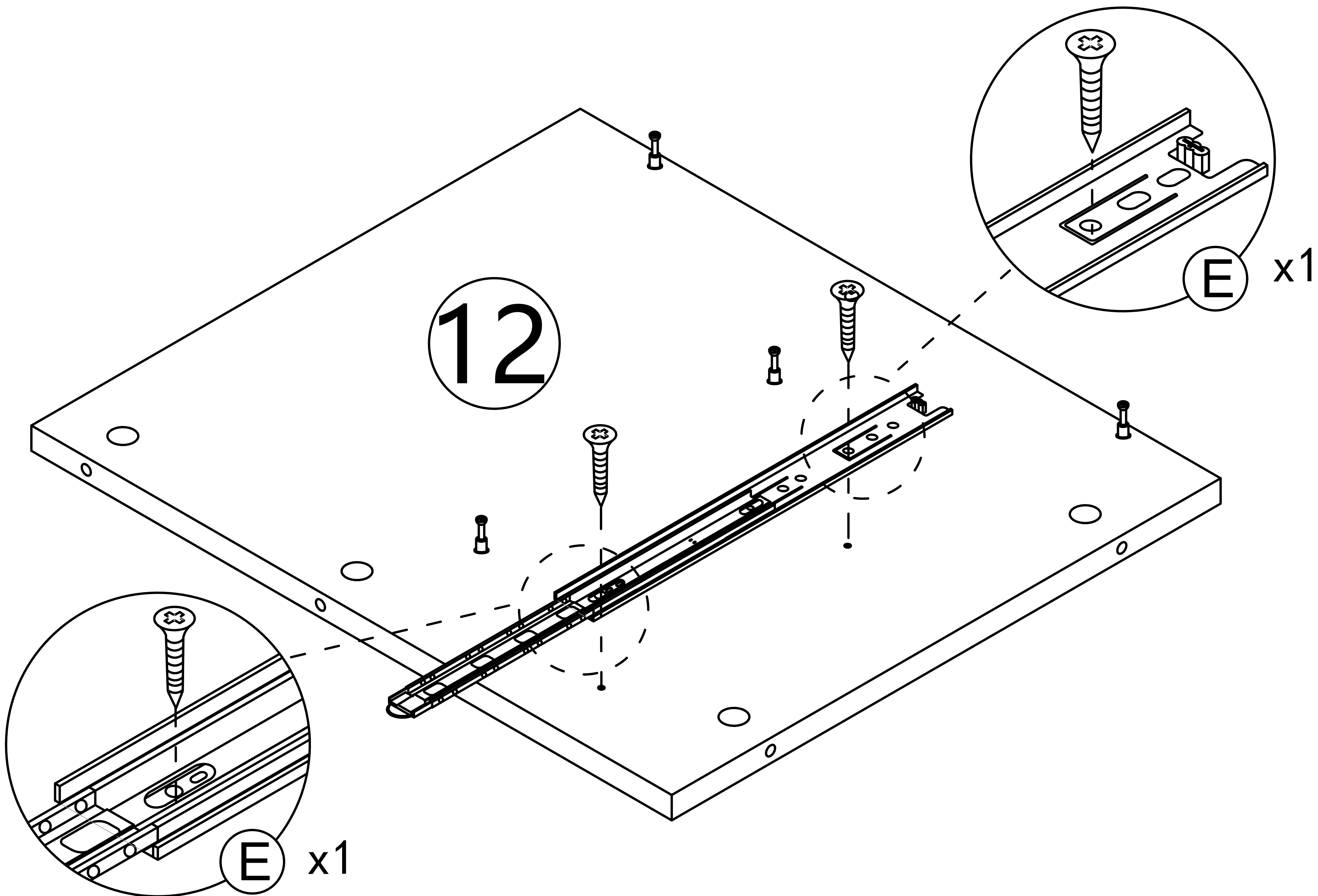
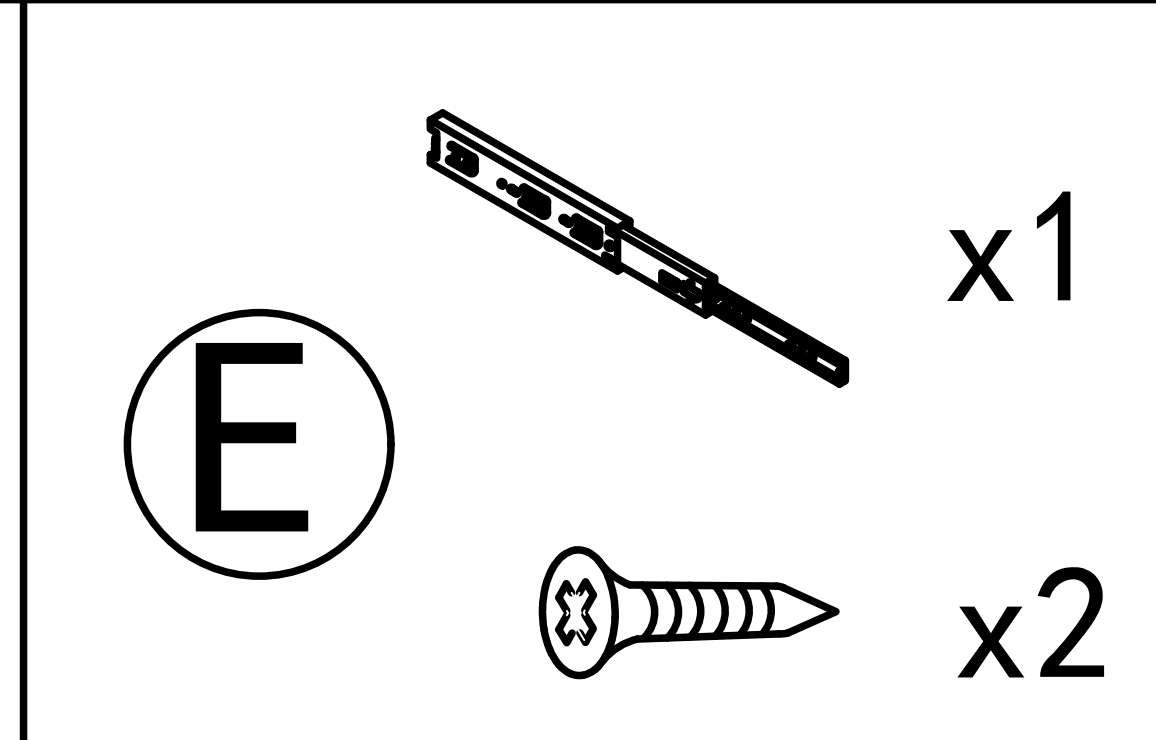
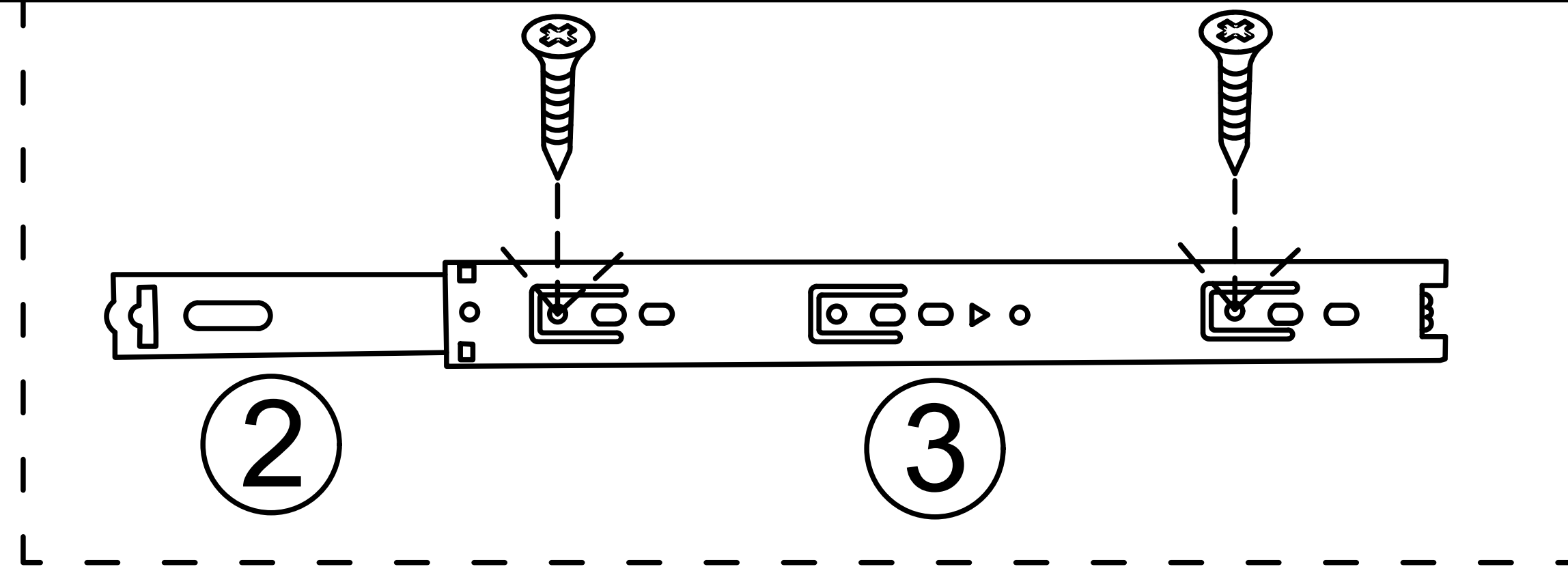
Step 20



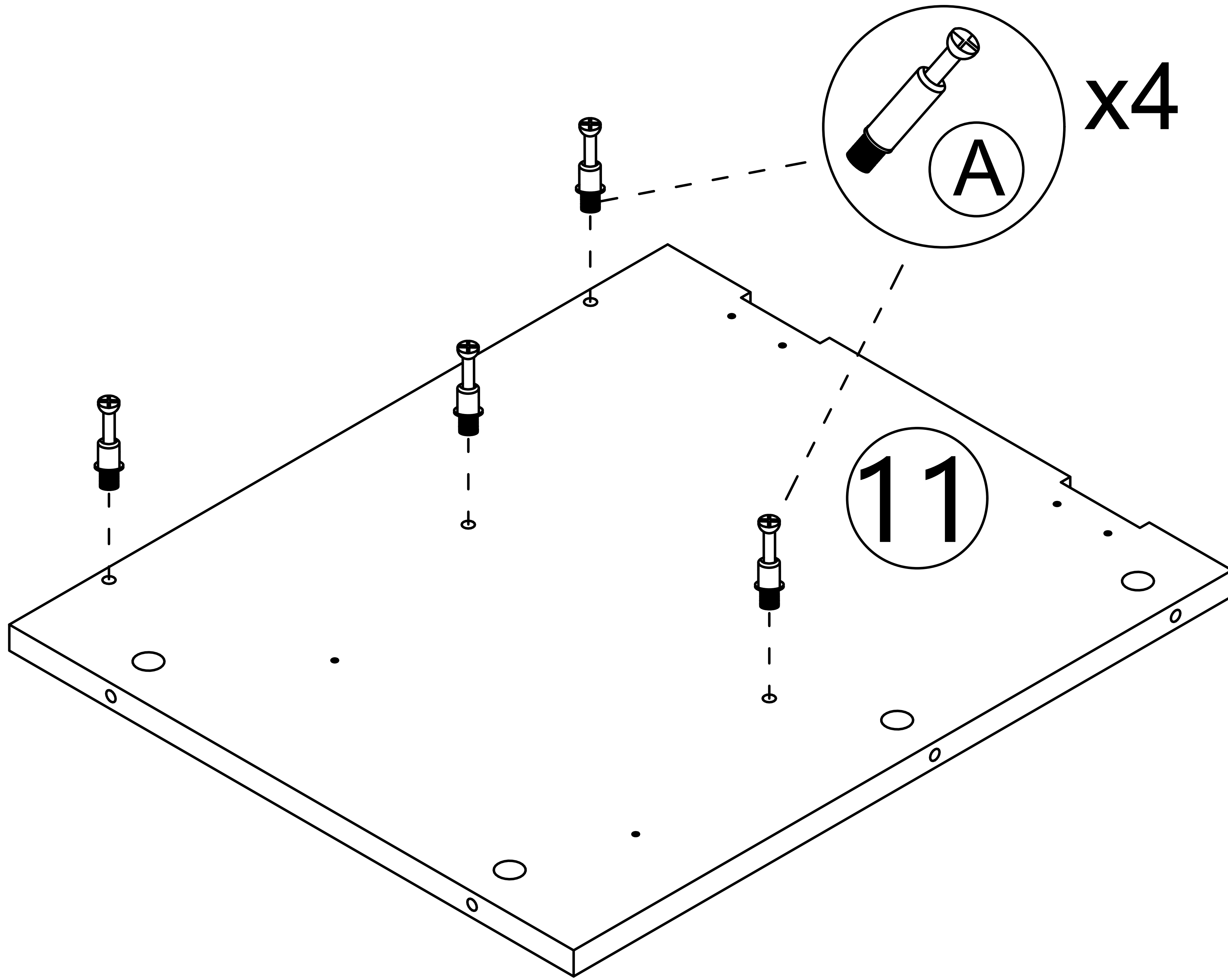
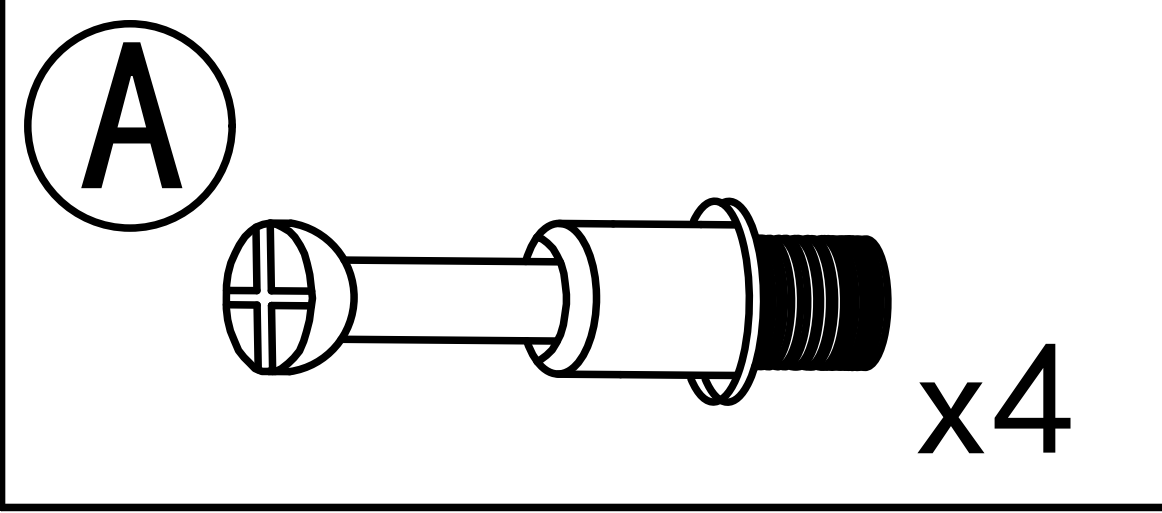
Step 21



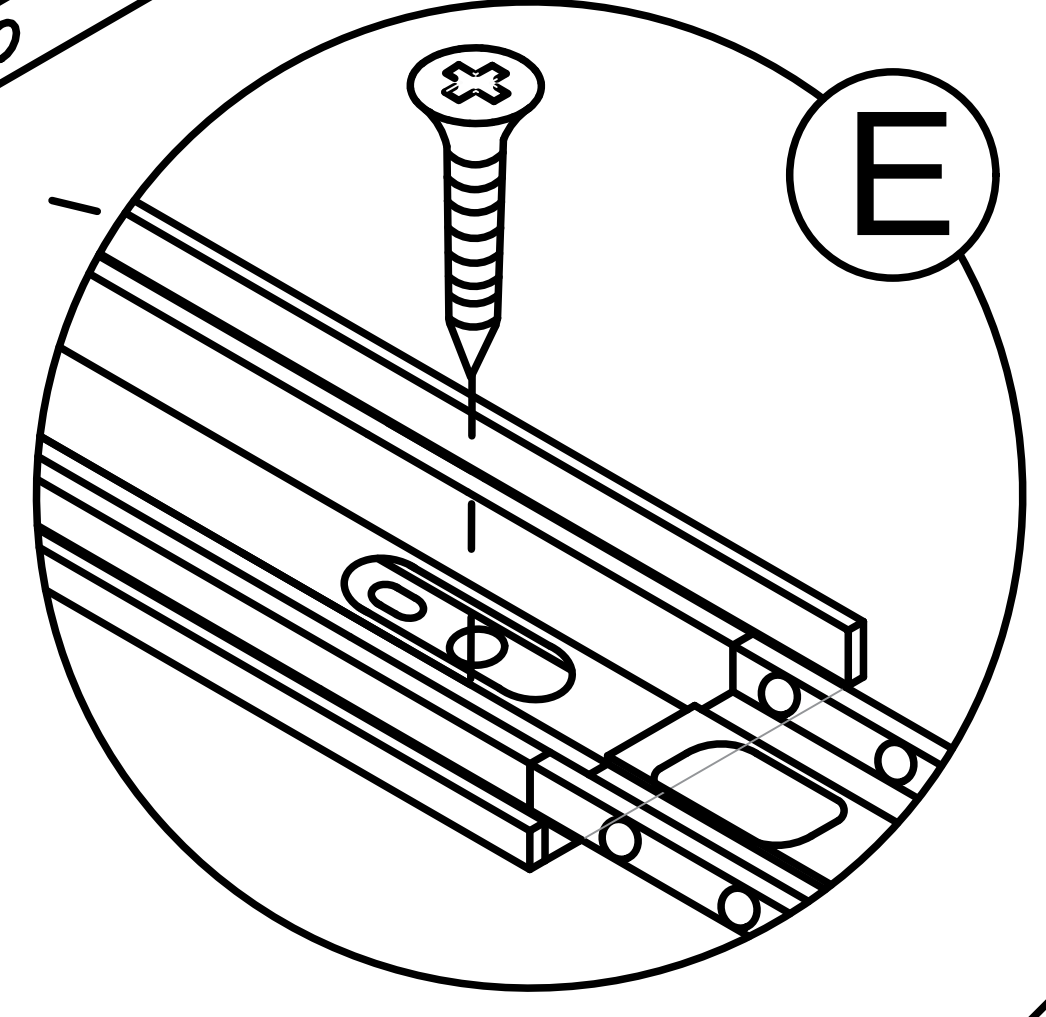
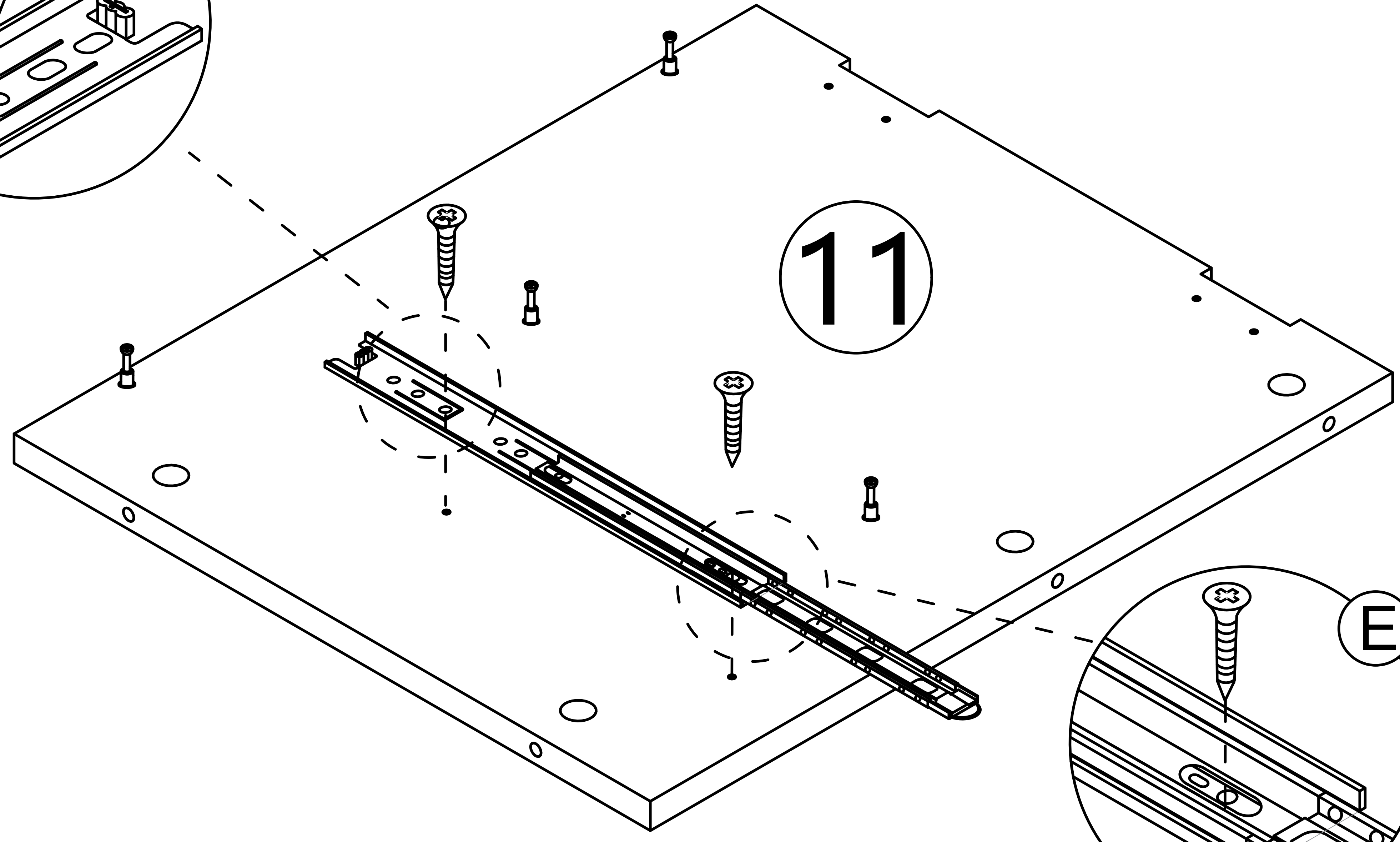
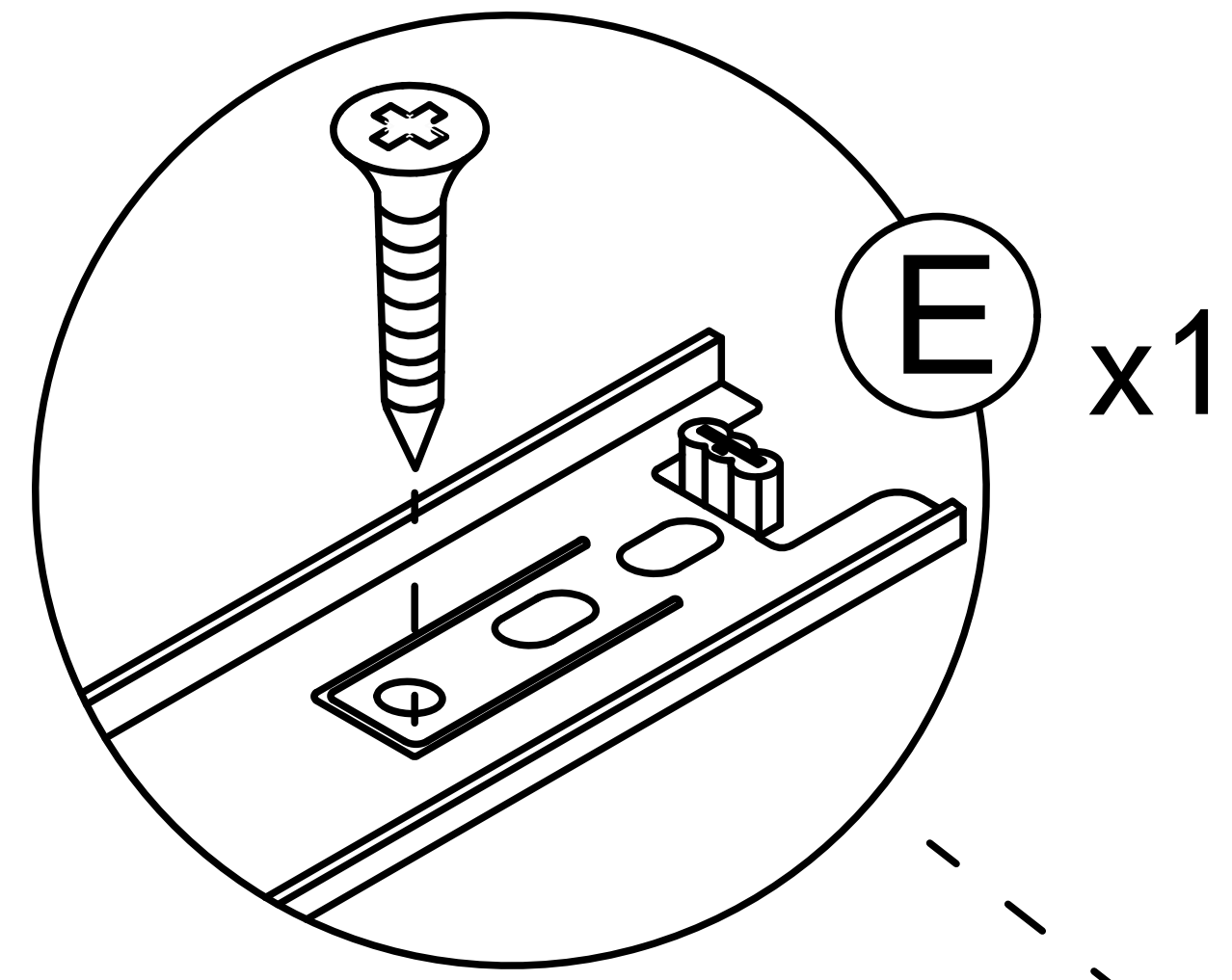
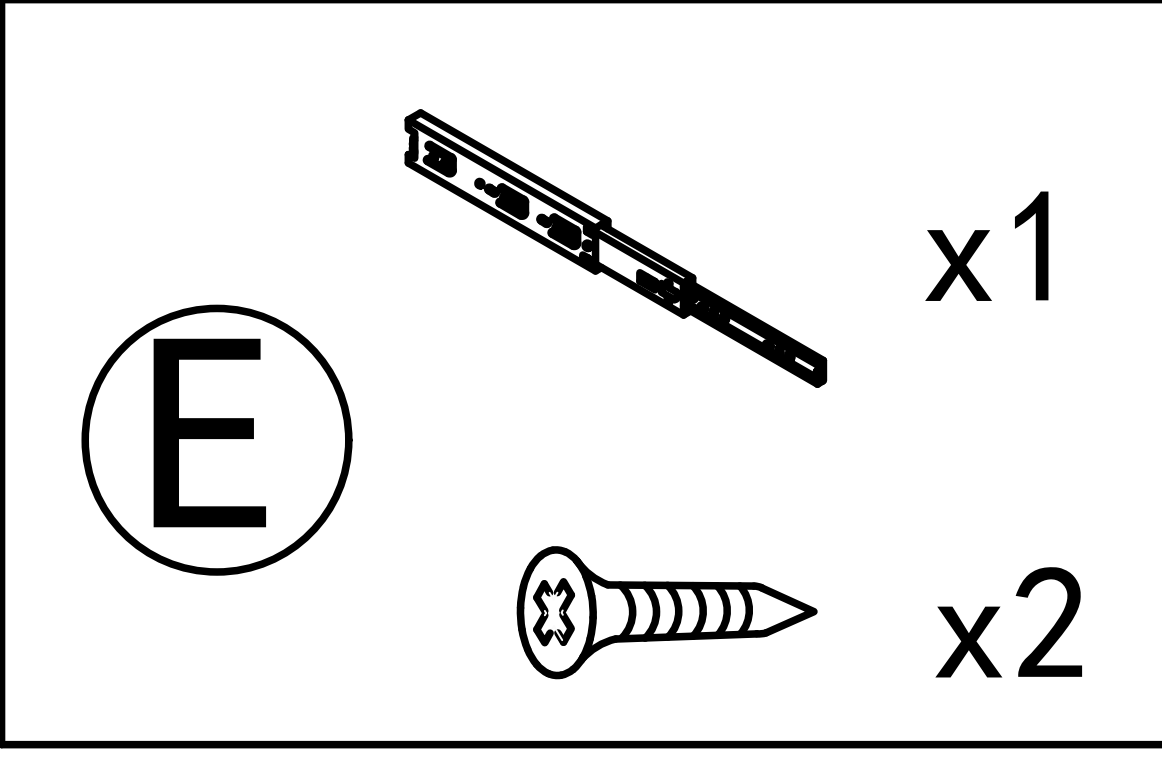
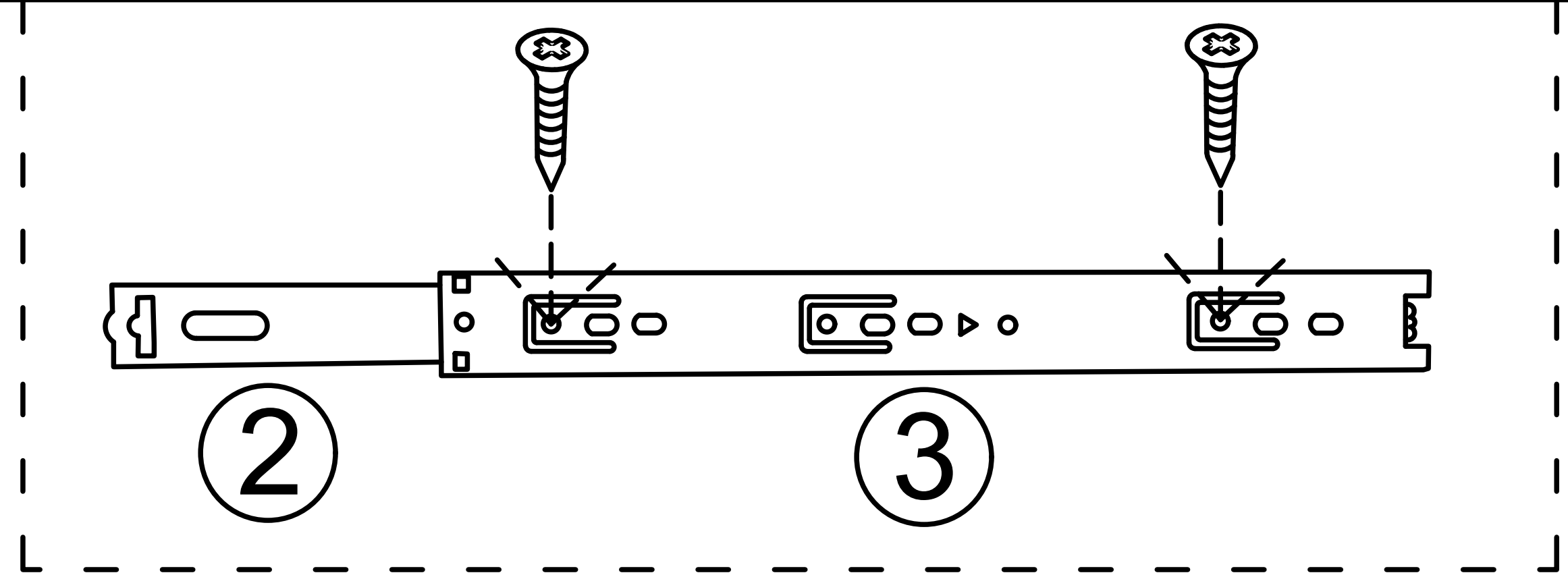
Step 22



Step 23



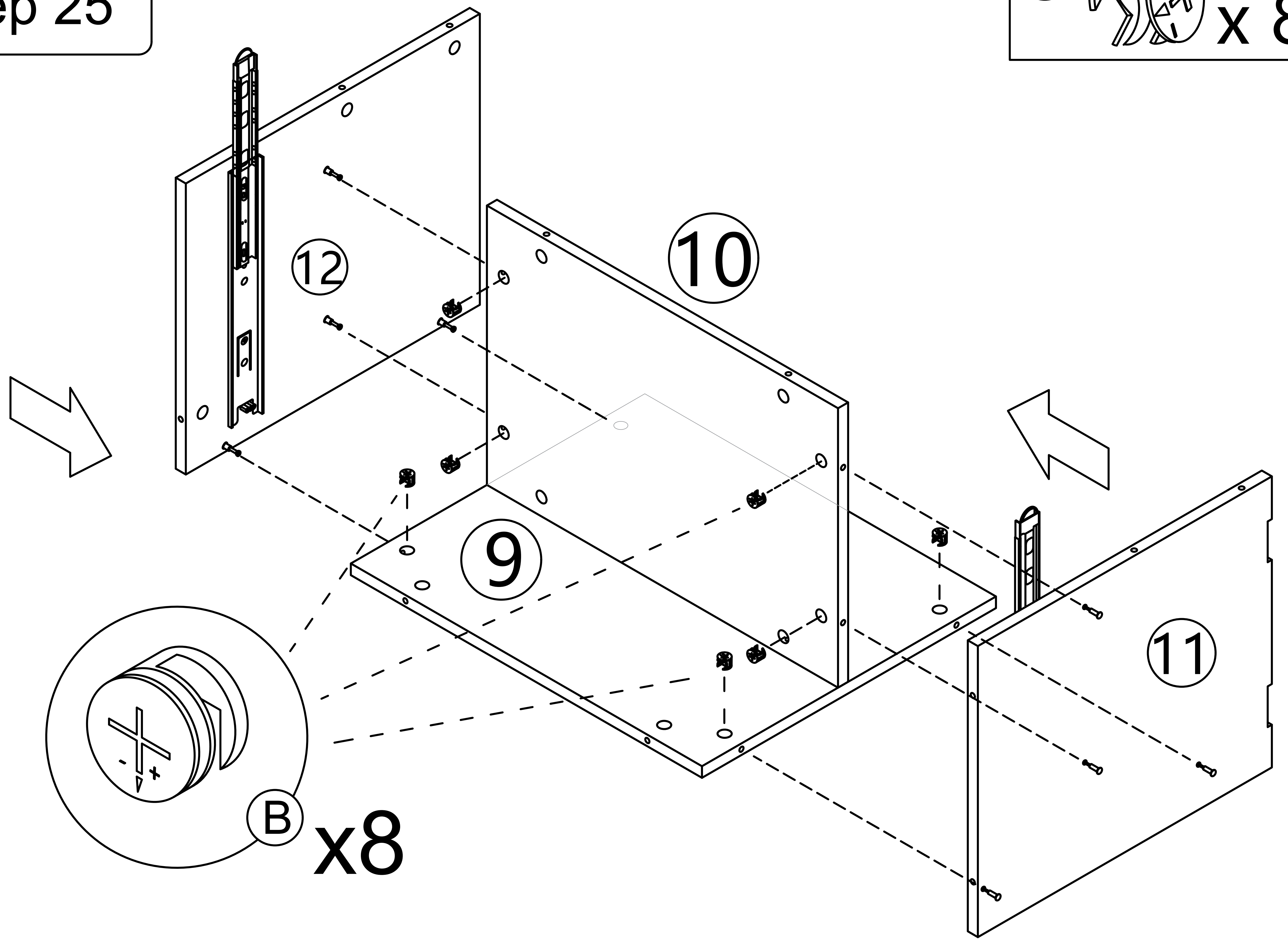
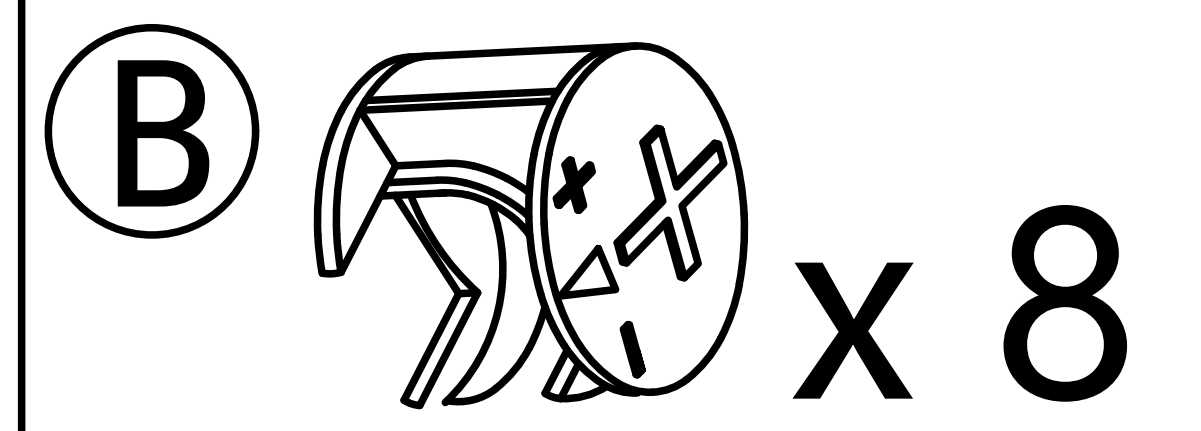
Step 24



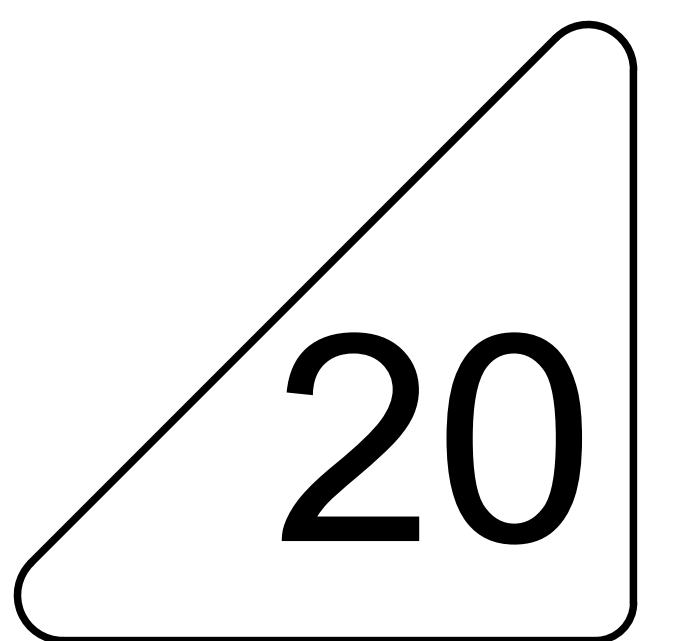
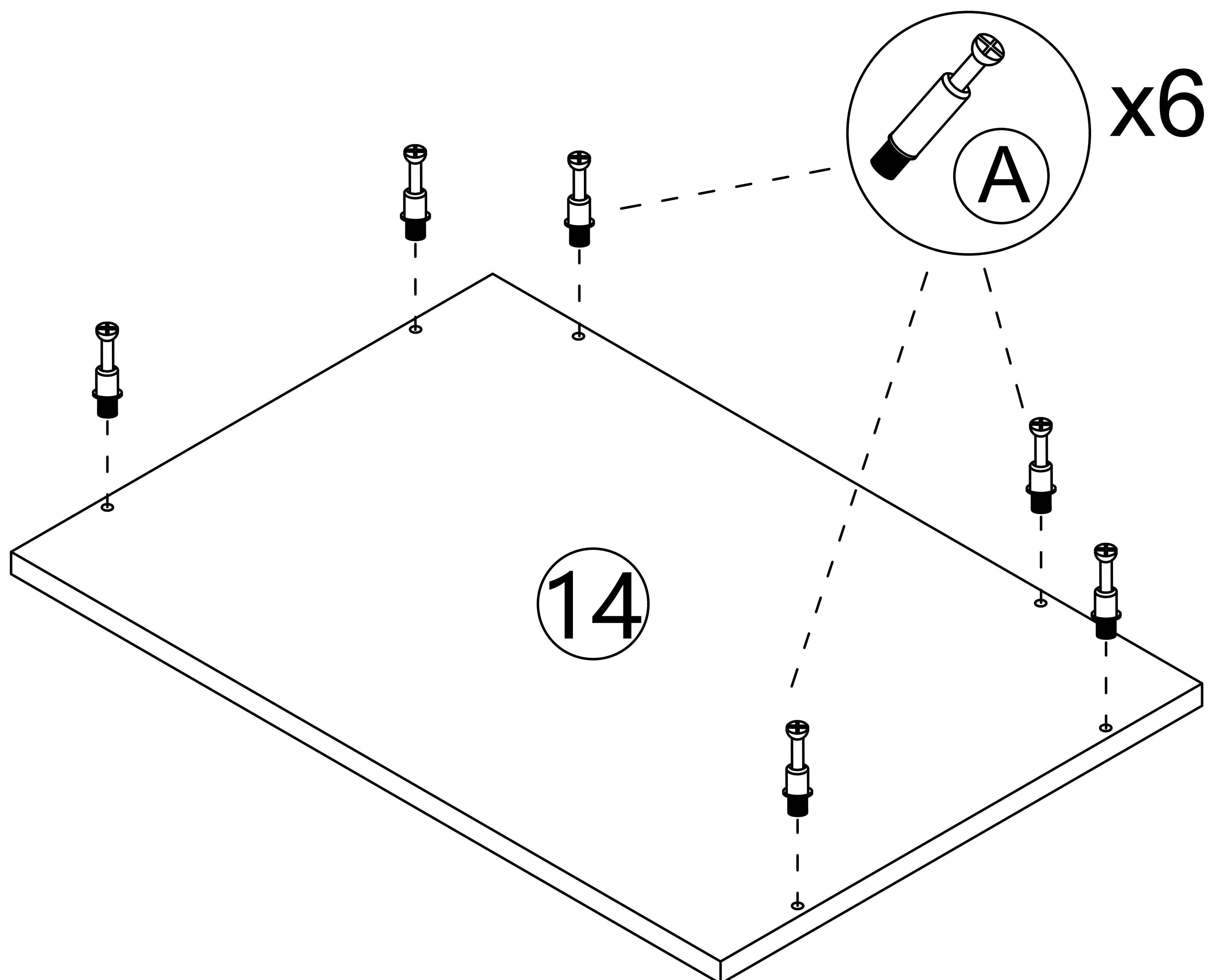
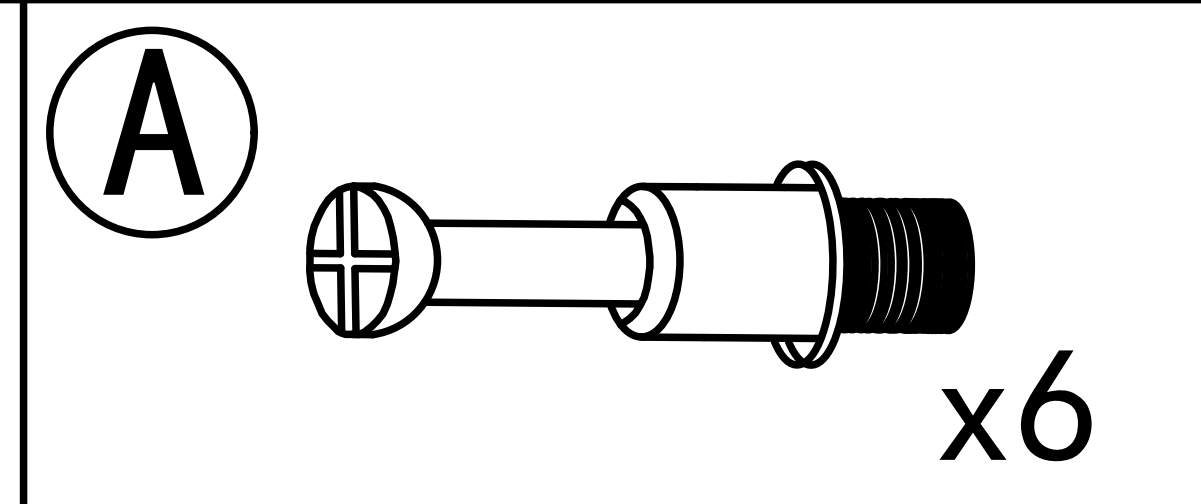
19

SY

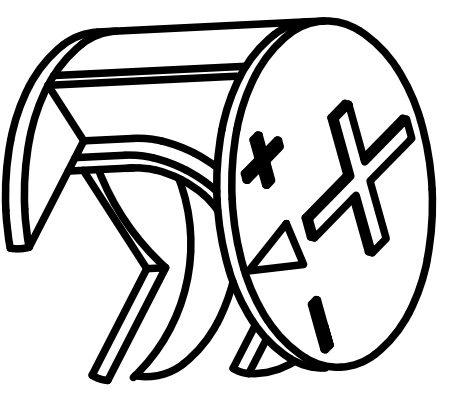
Step 25

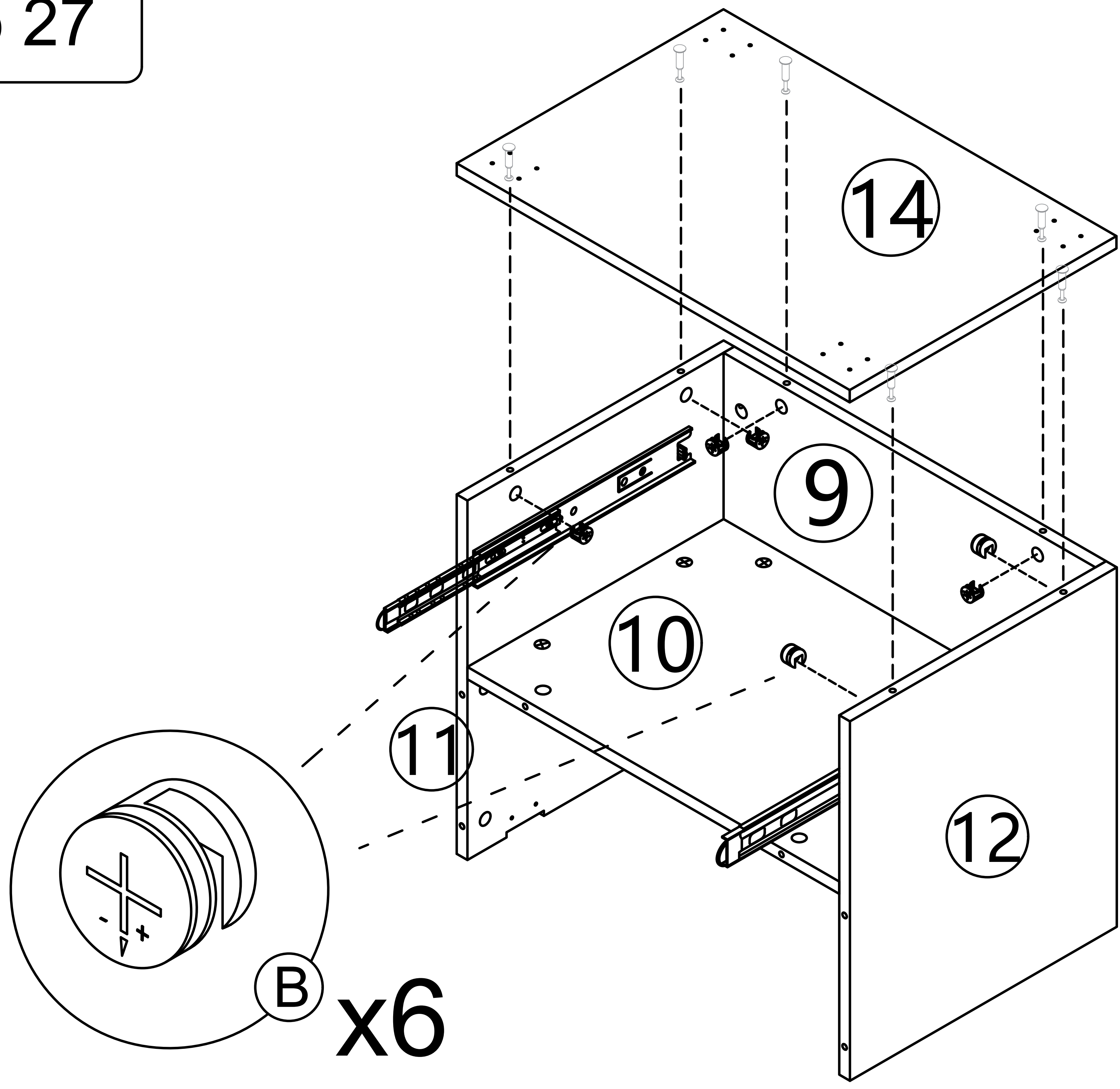


Step 26



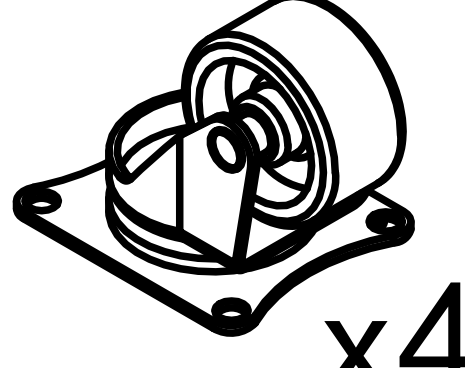
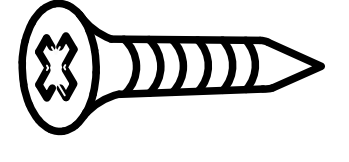
Step 27

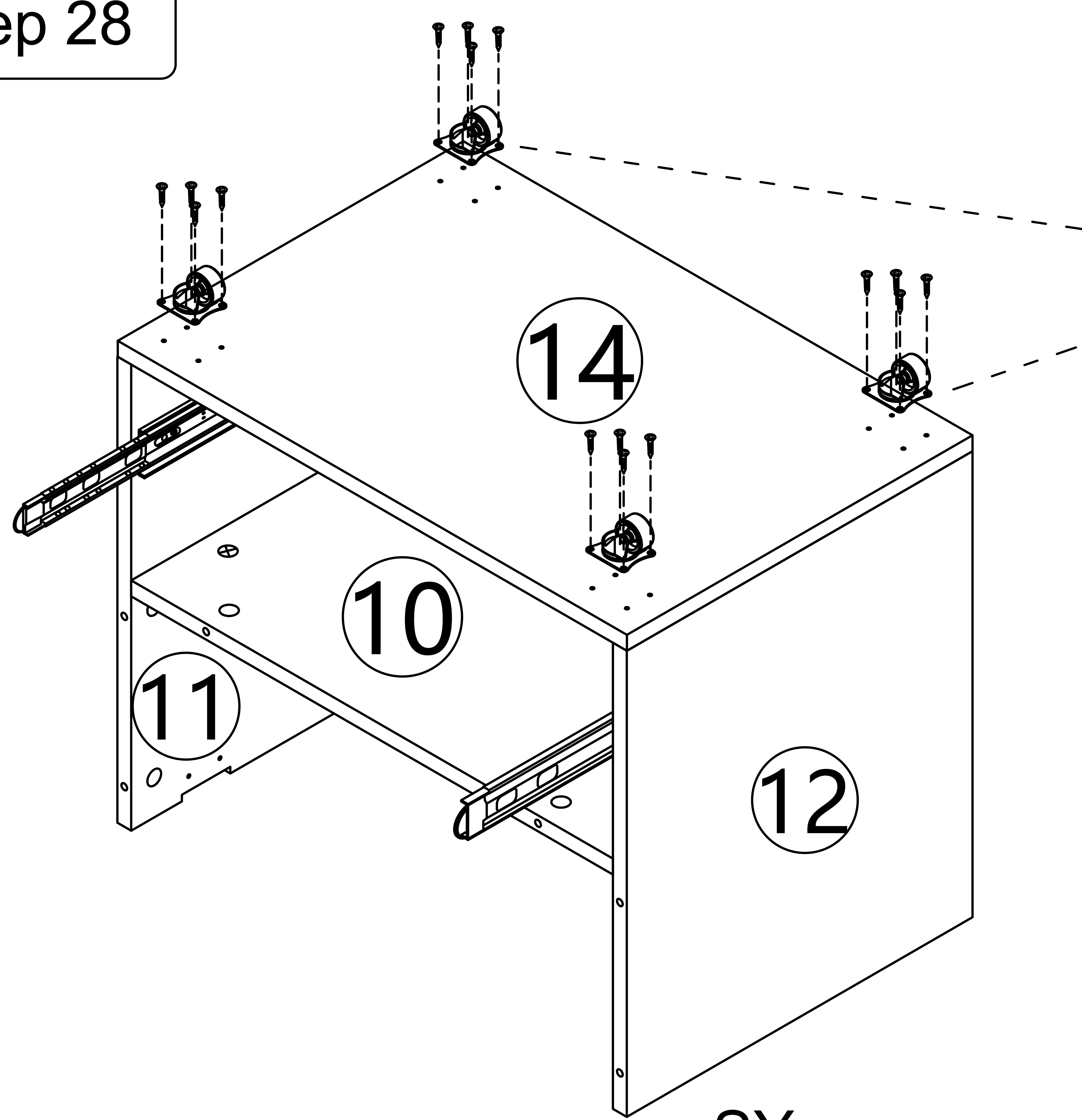
B  x 6



B x6

Step 28

J  x4  x16

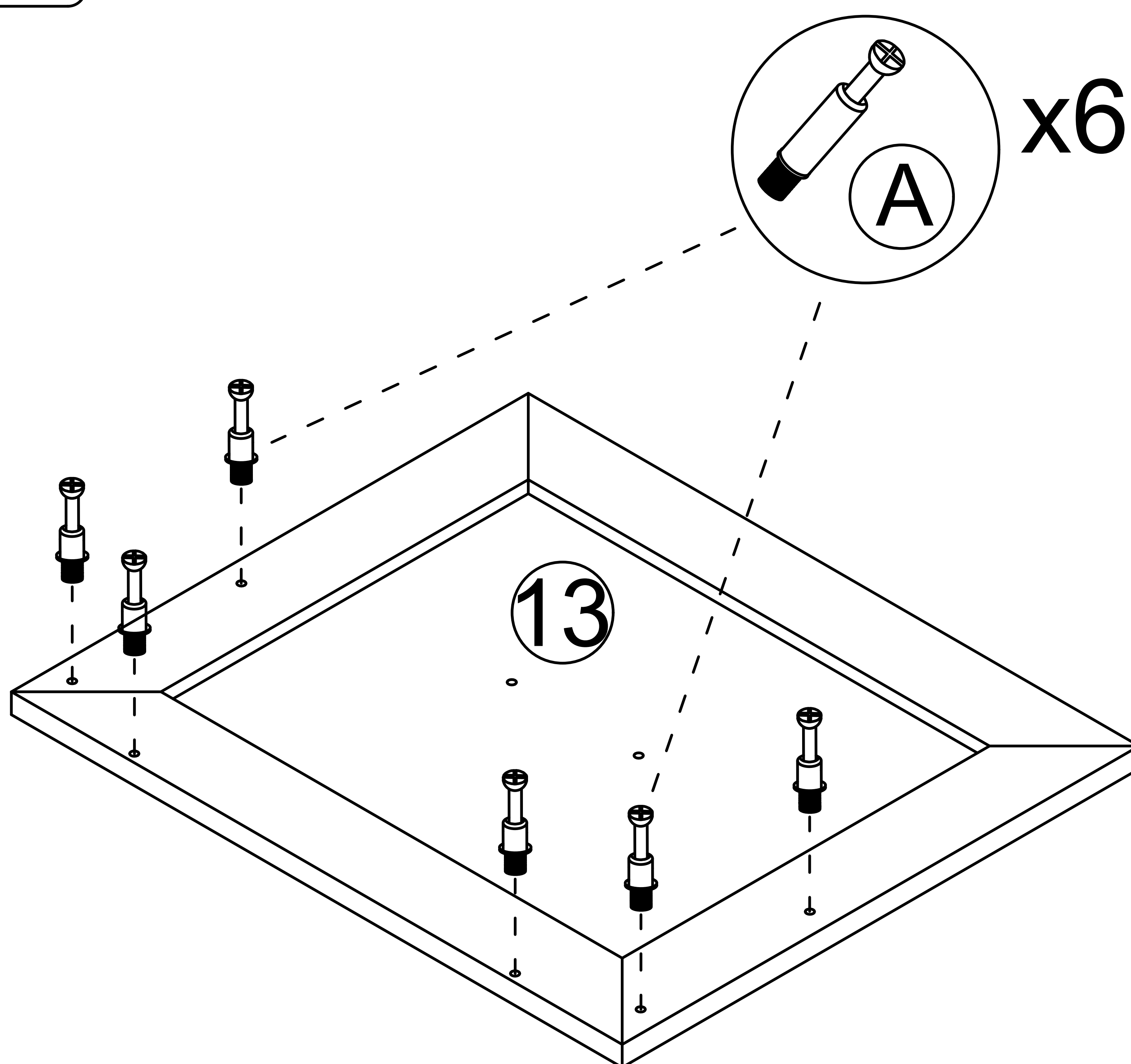
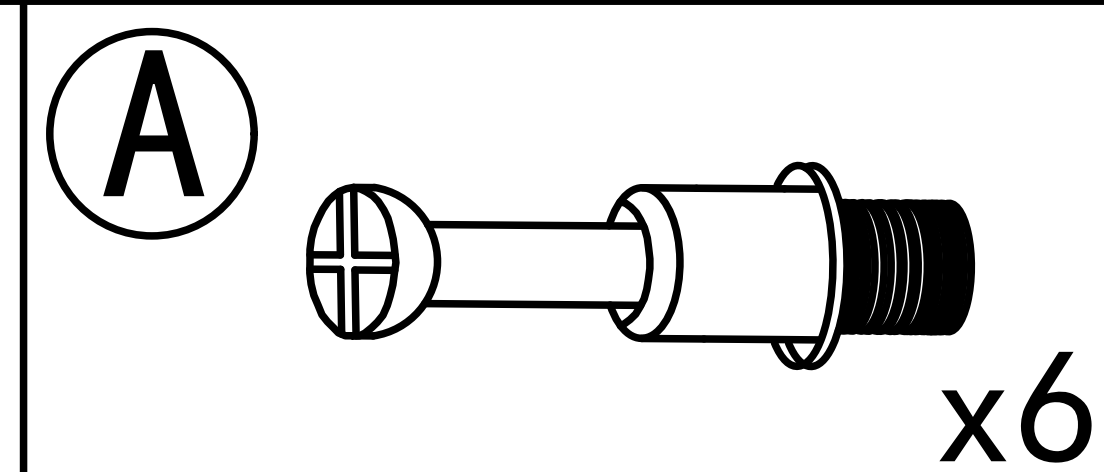


J x4

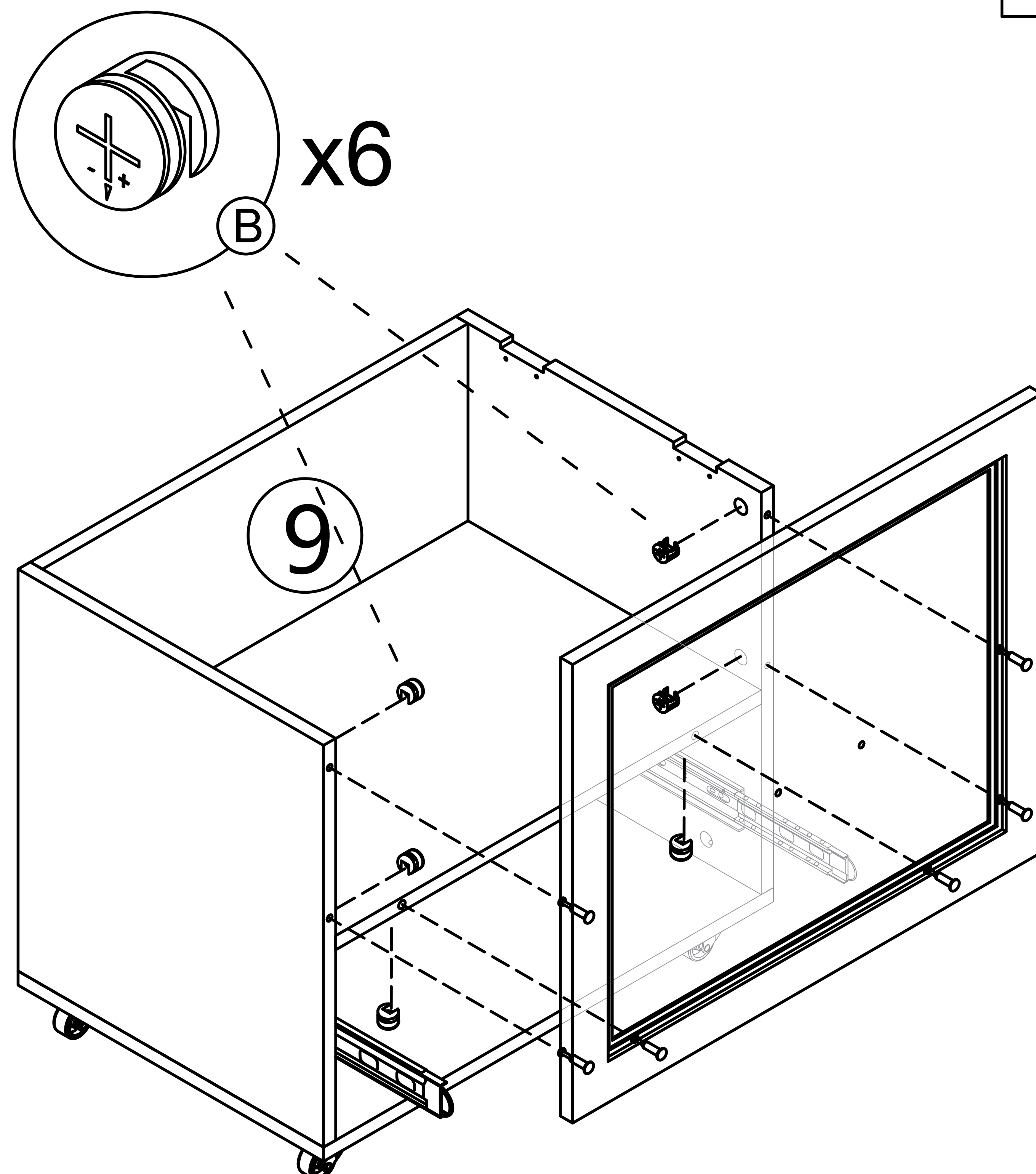
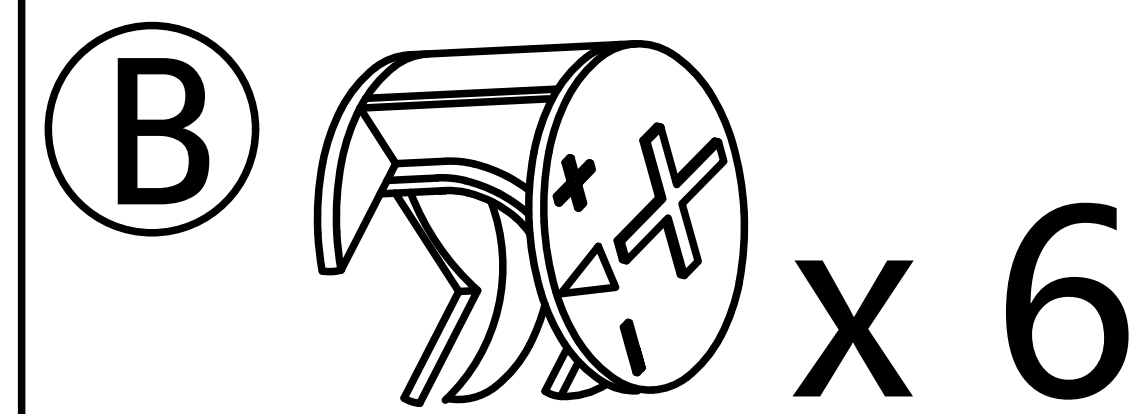
21

SY

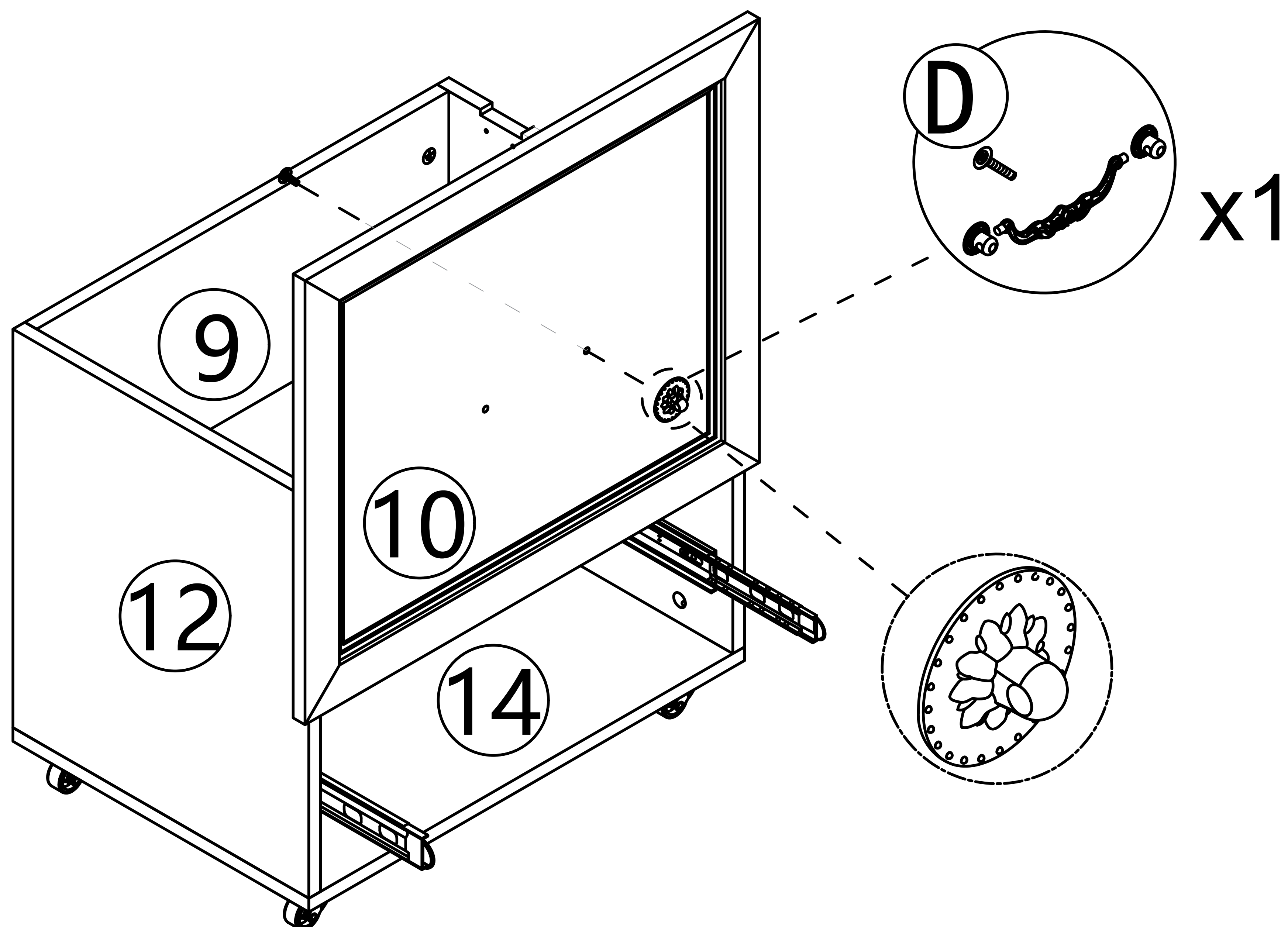
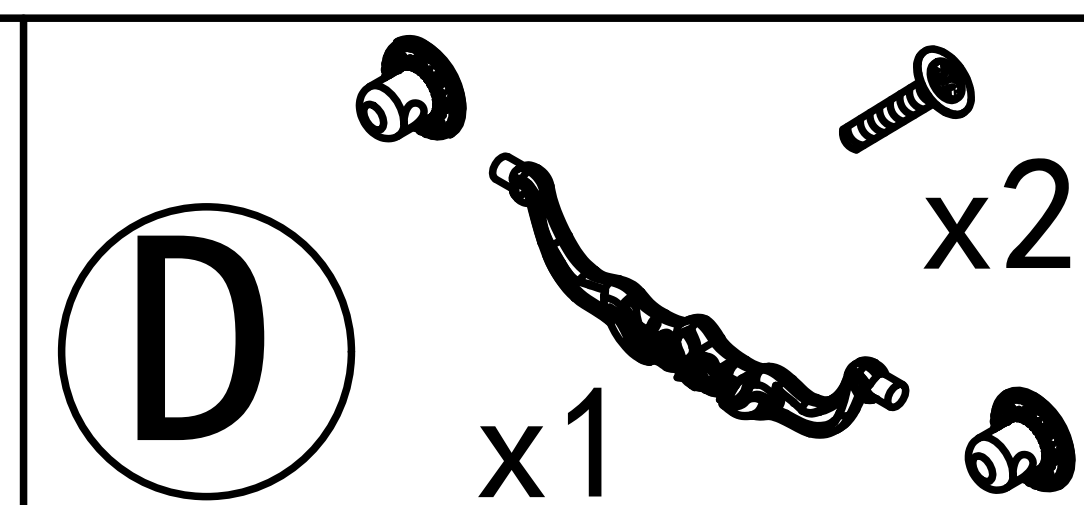
Step 29



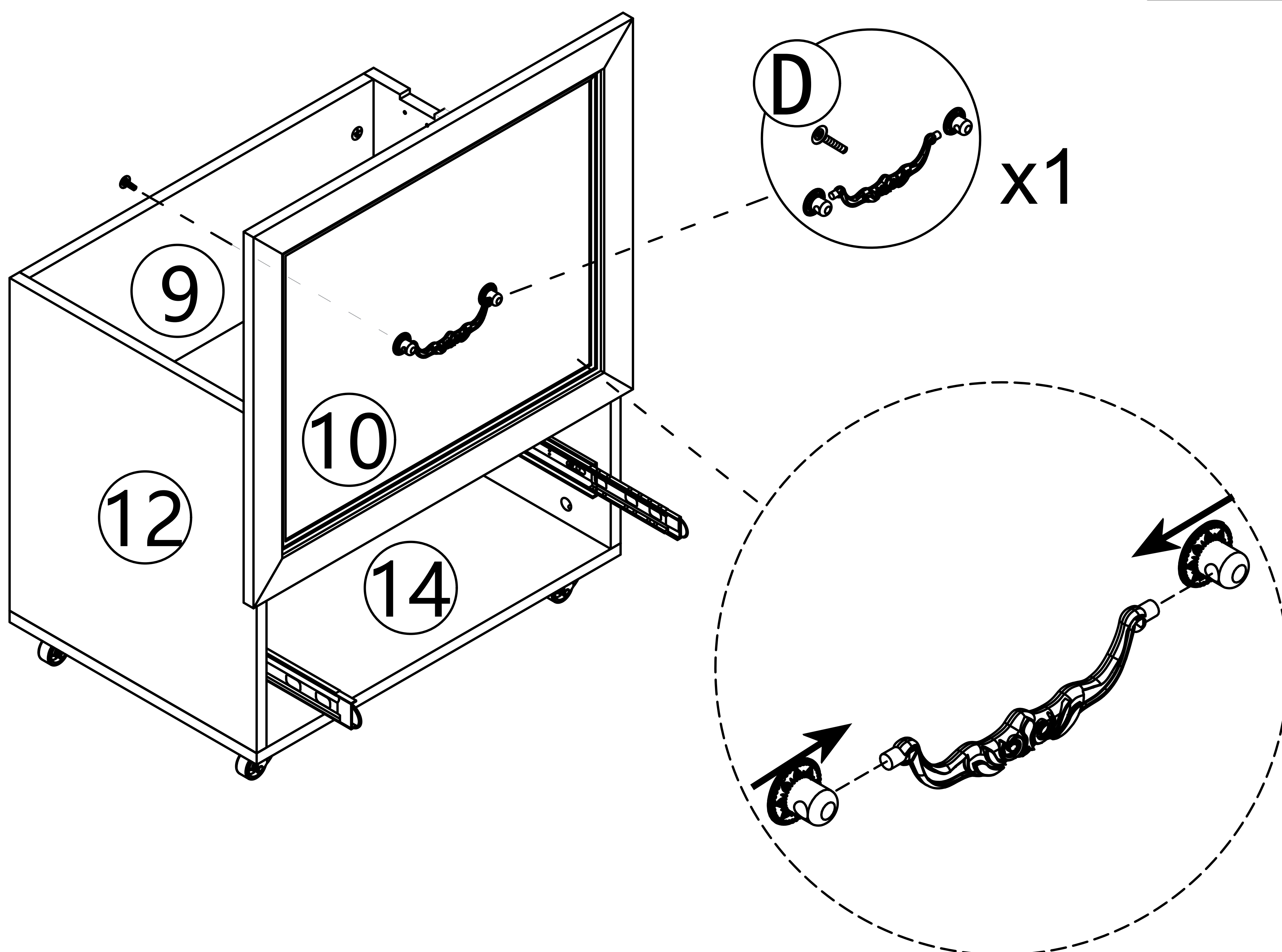
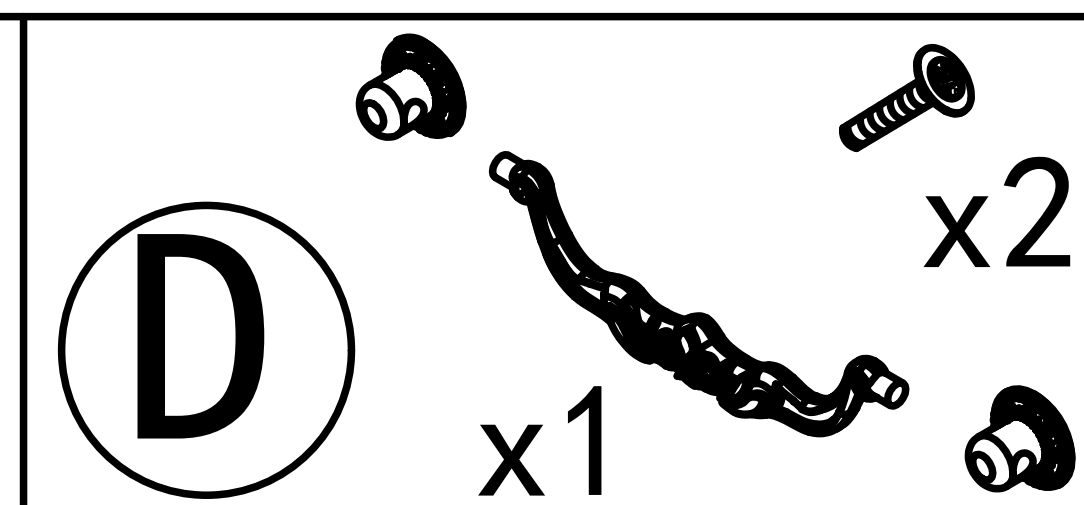
Step 30



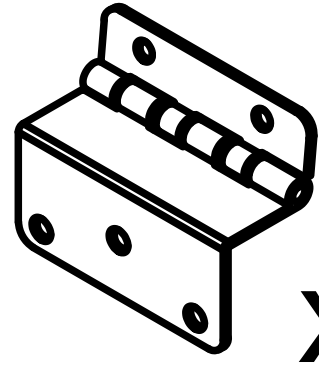
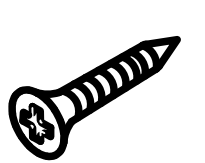
Step 31

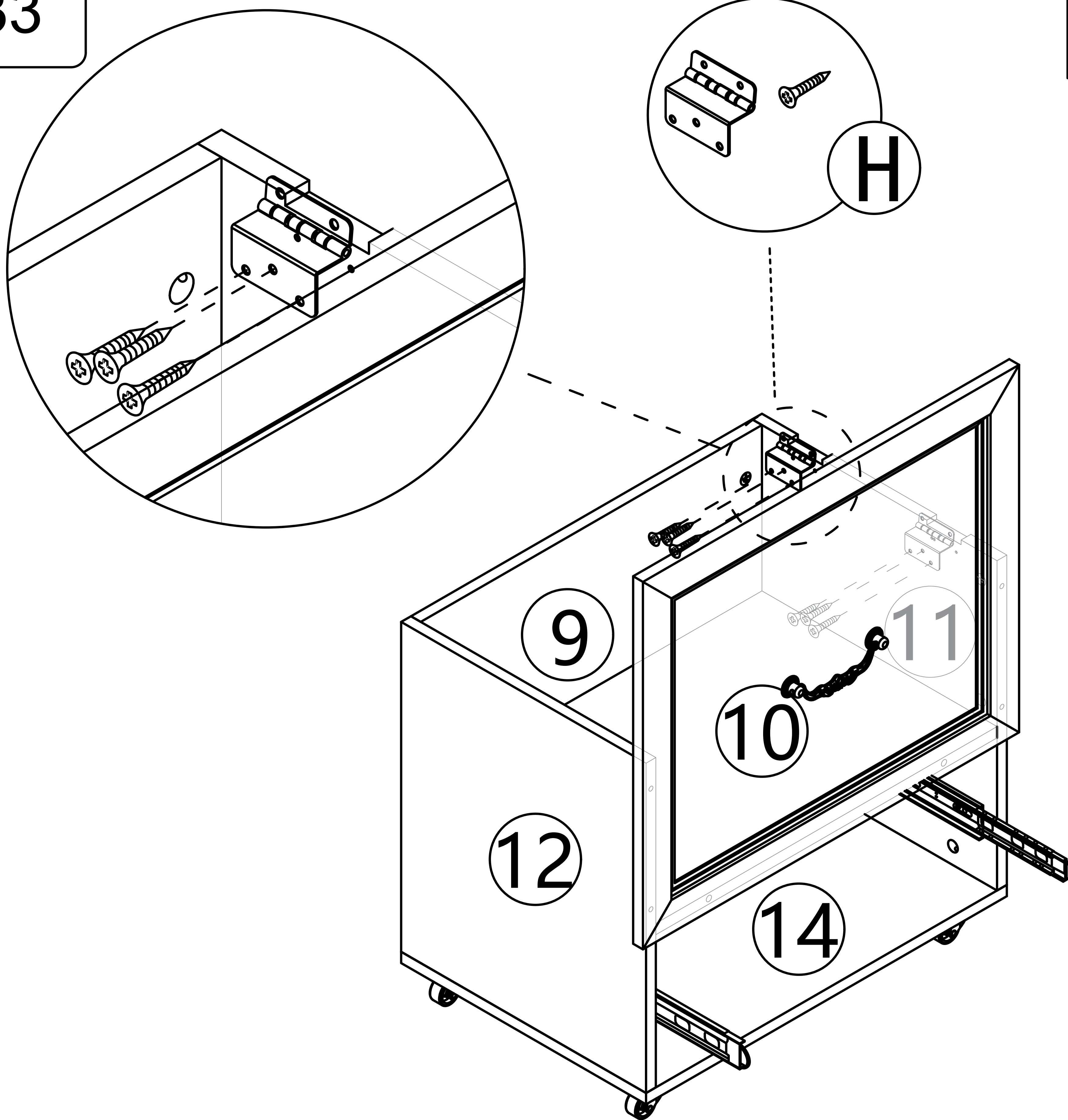


Step 32

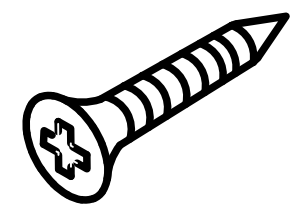


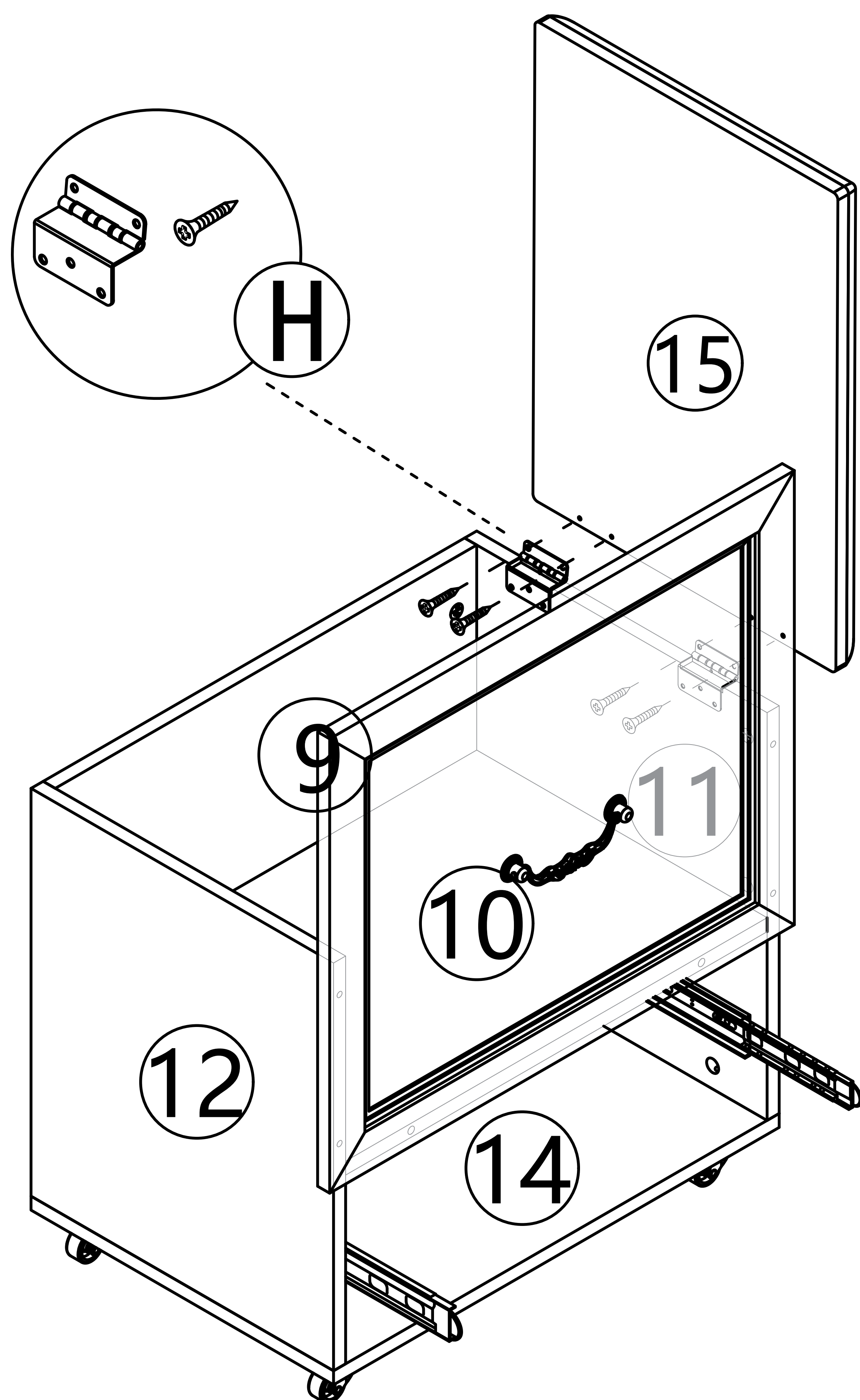
Step 33

(H)  x2  x6

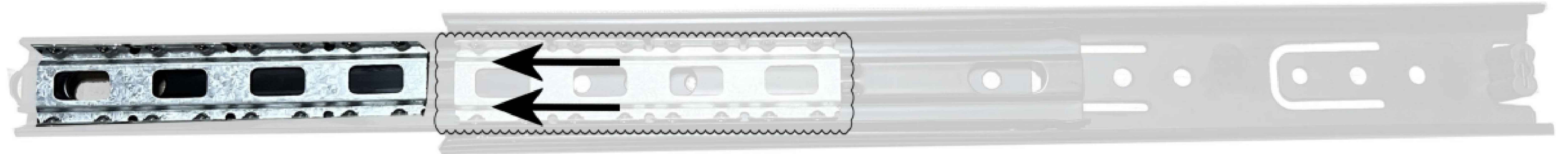


Step 34

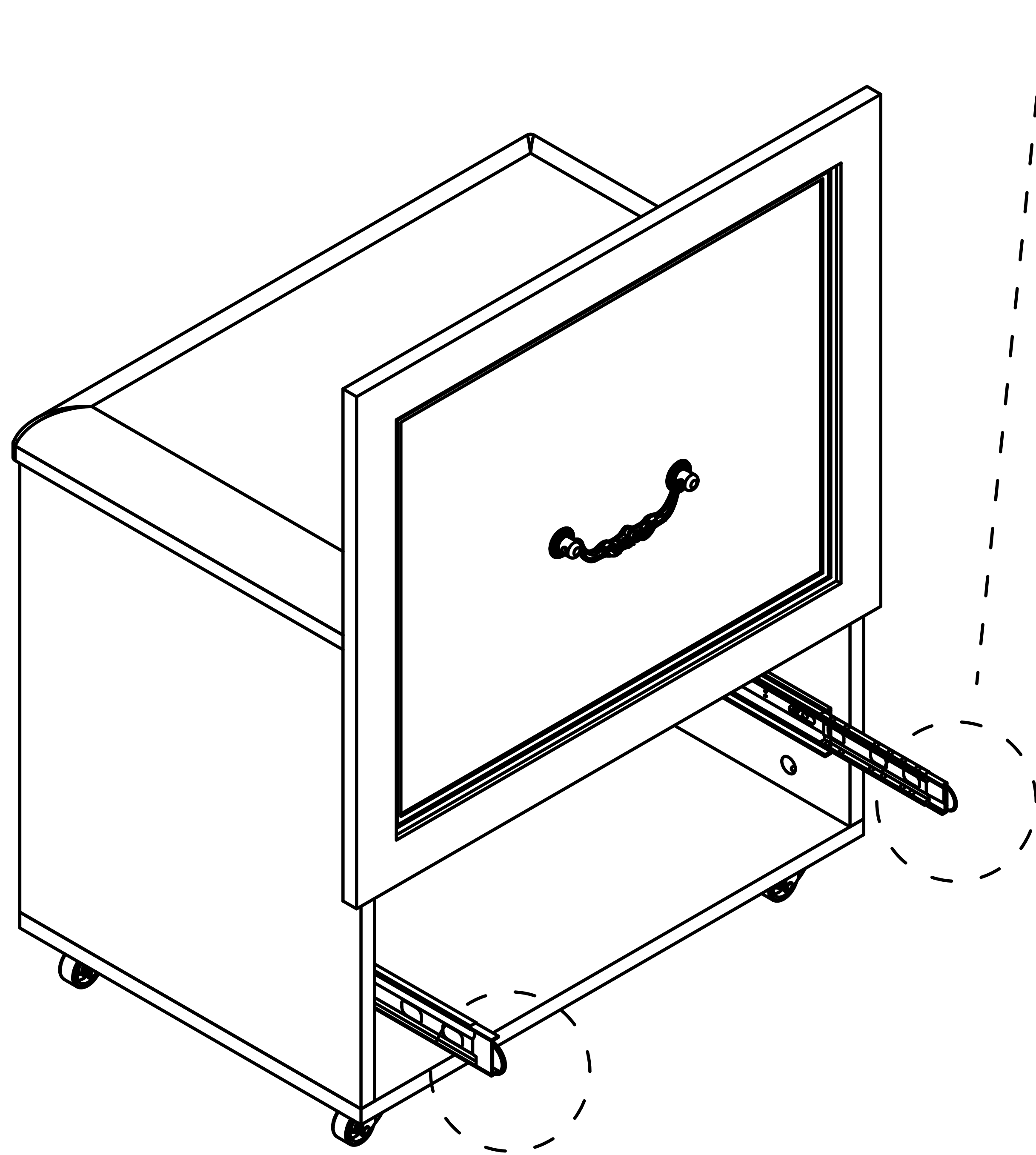
(H)  x4



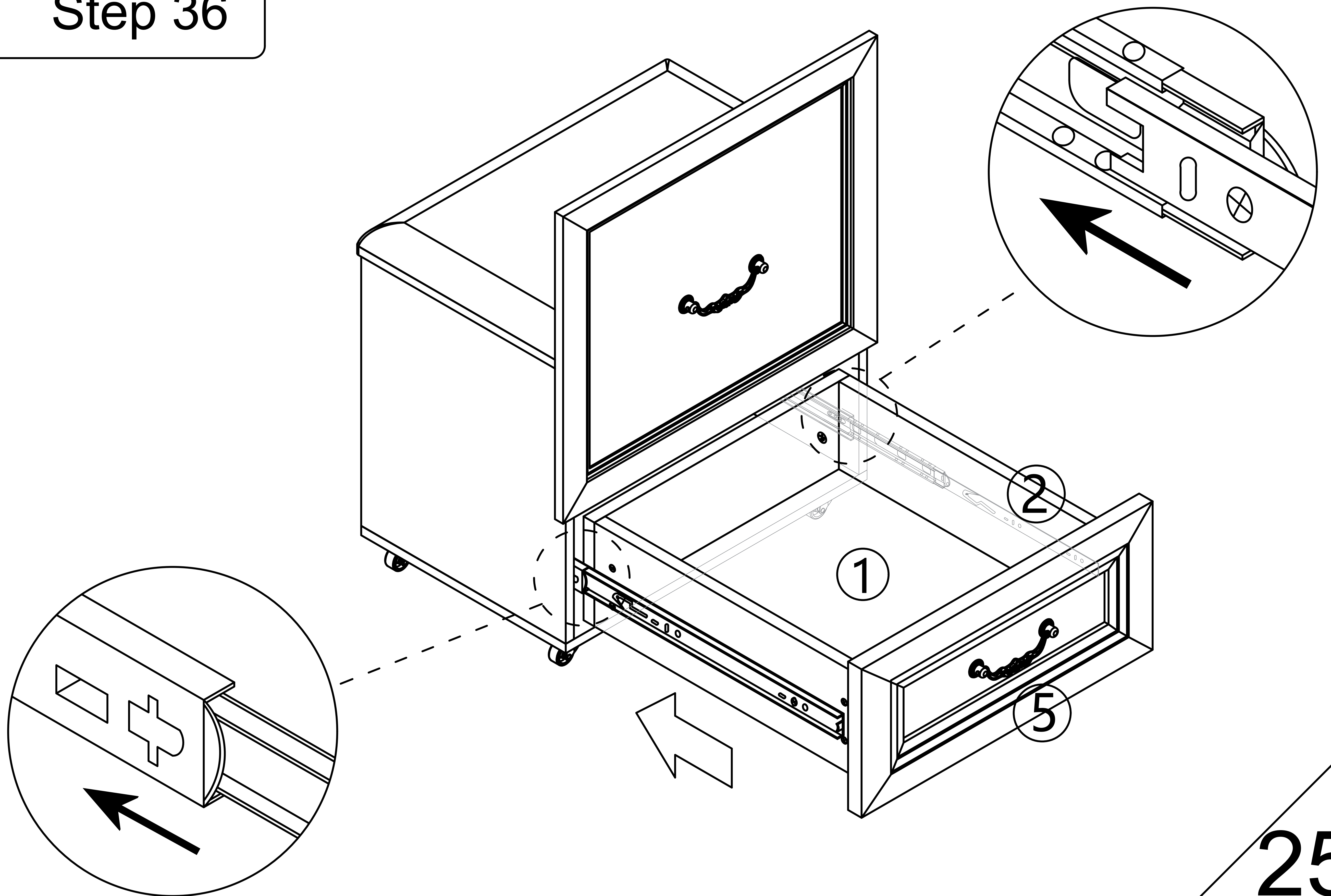
Step 35

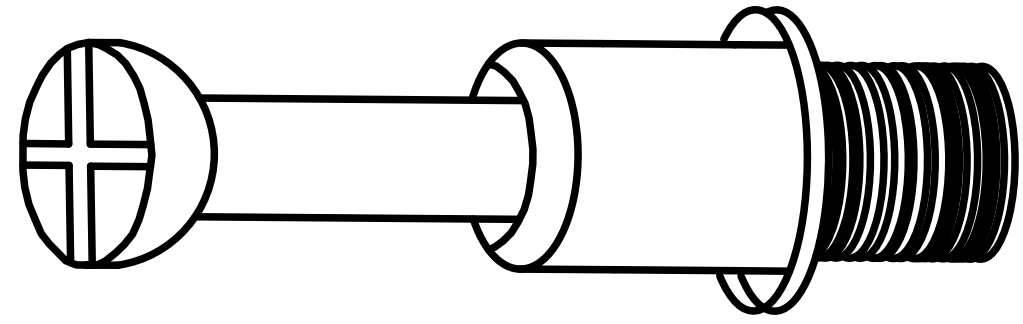
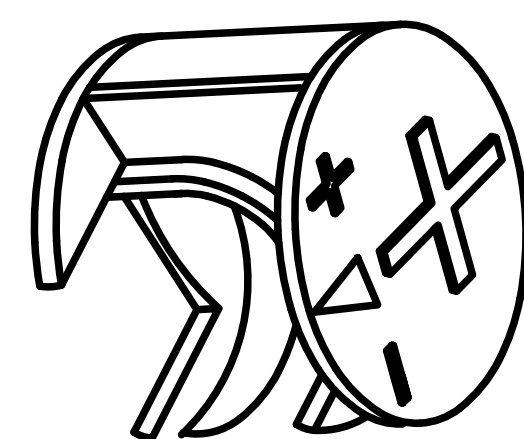
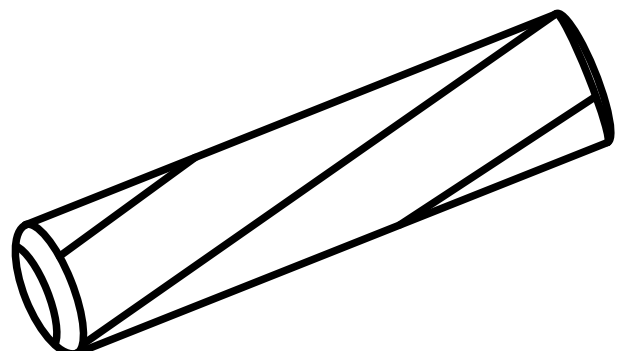
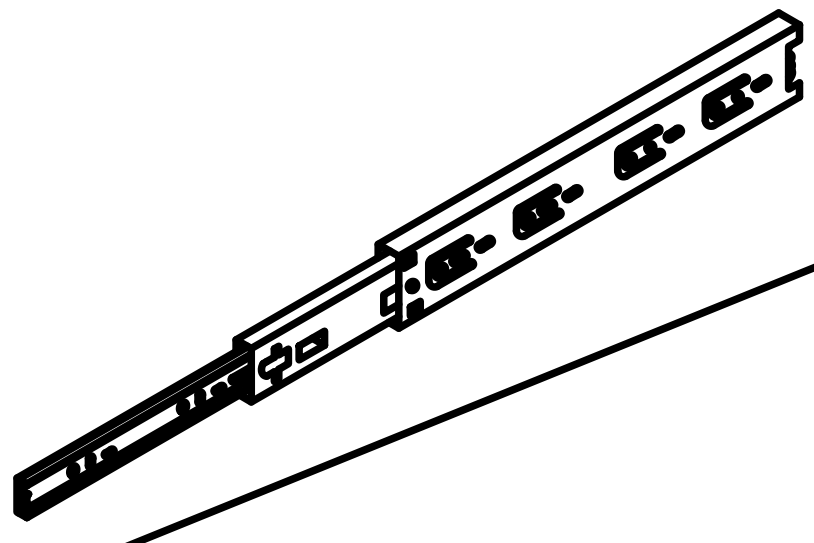
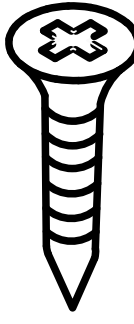
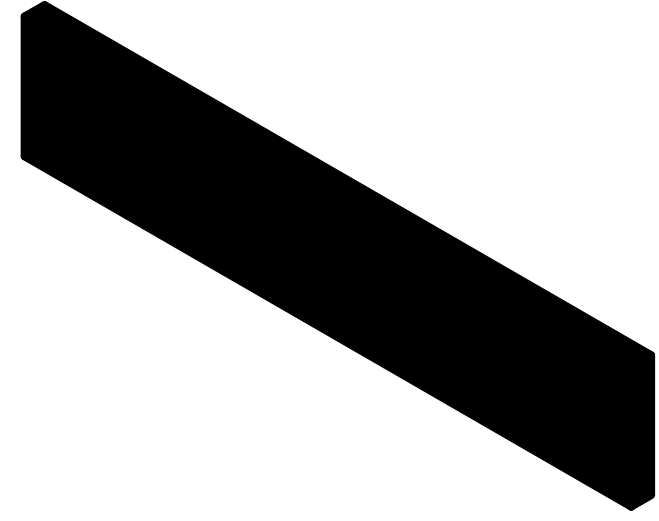


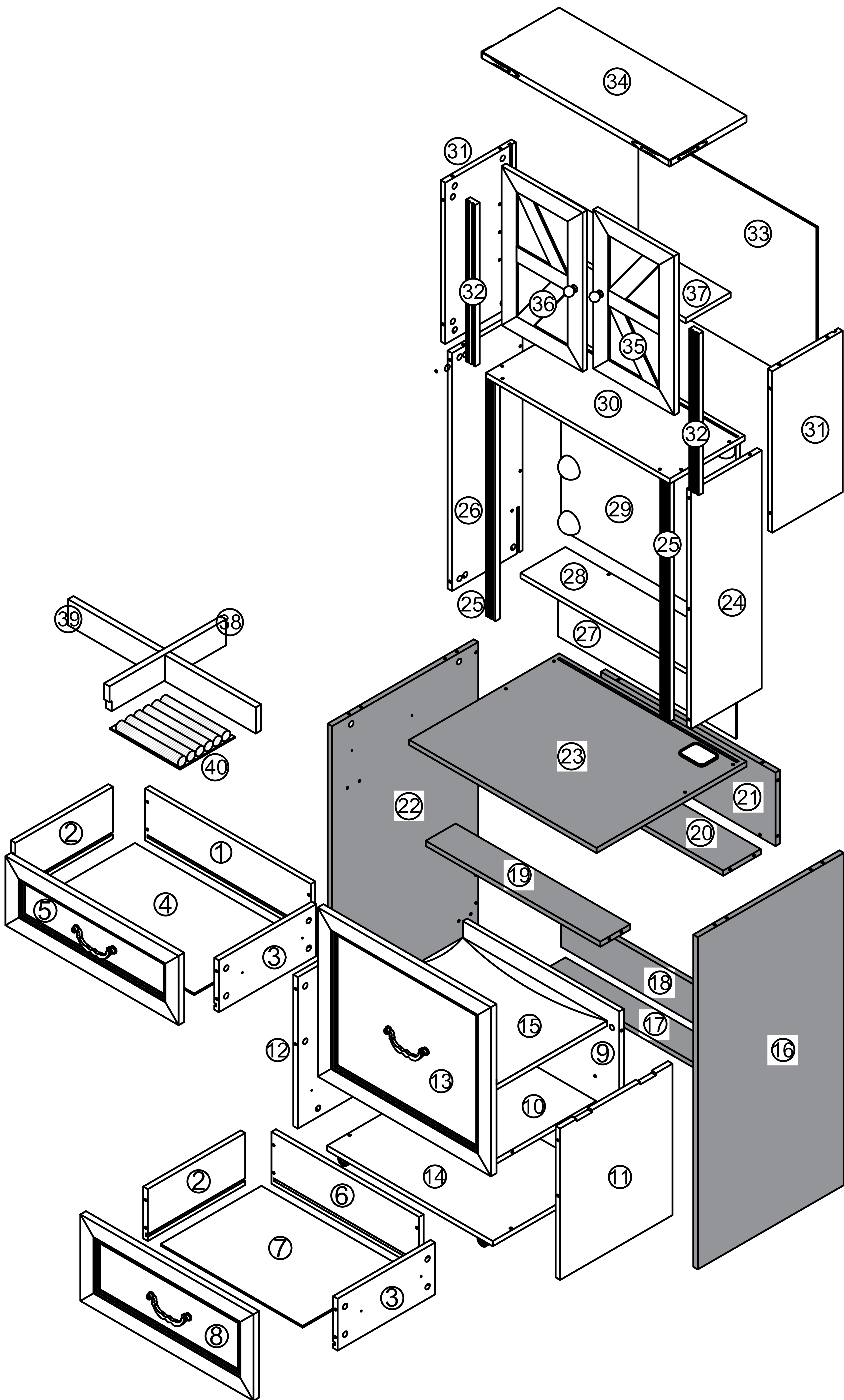
As shown, When installing the drawer, pull the guide rail out first, Slide beads are also pulled out.



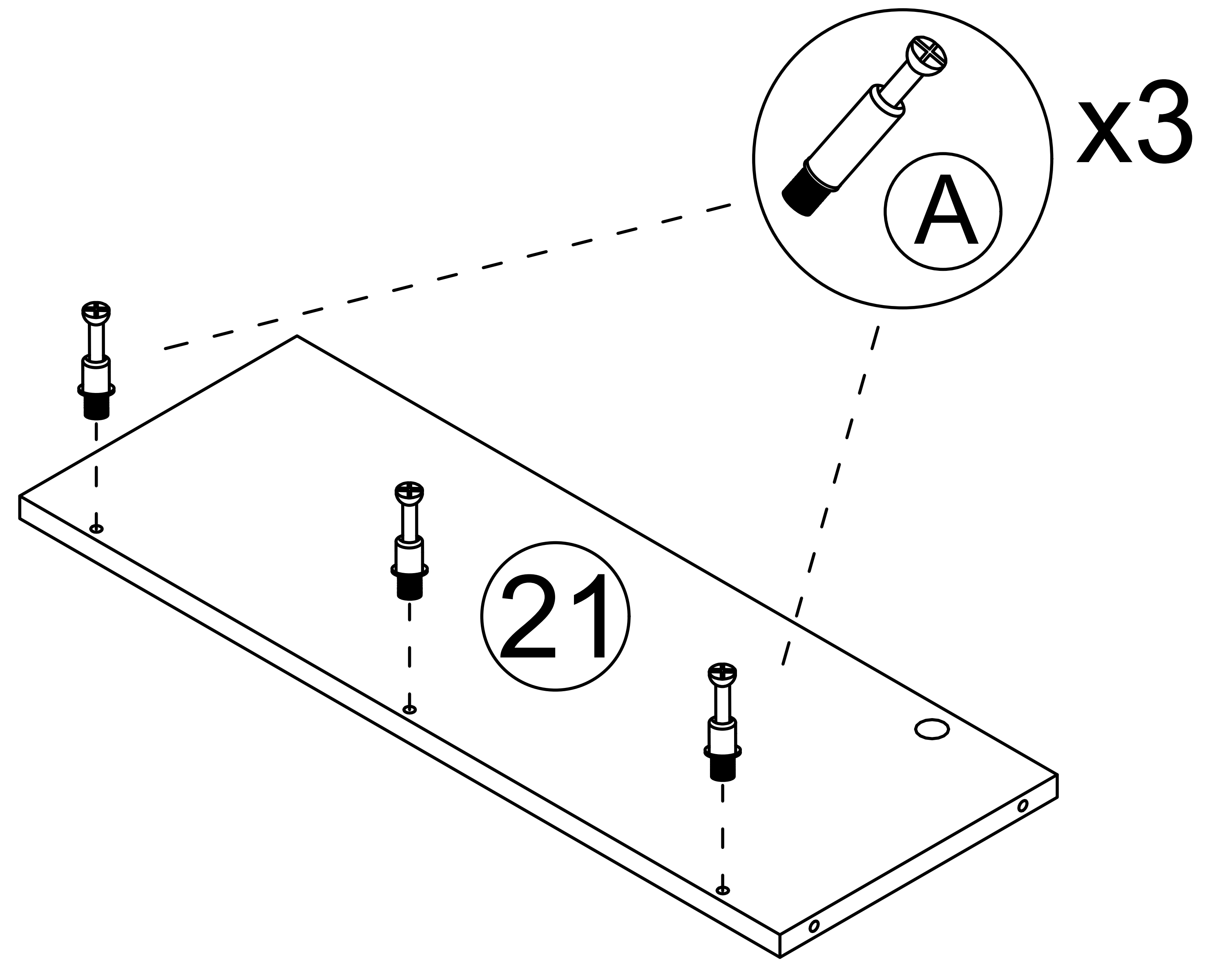
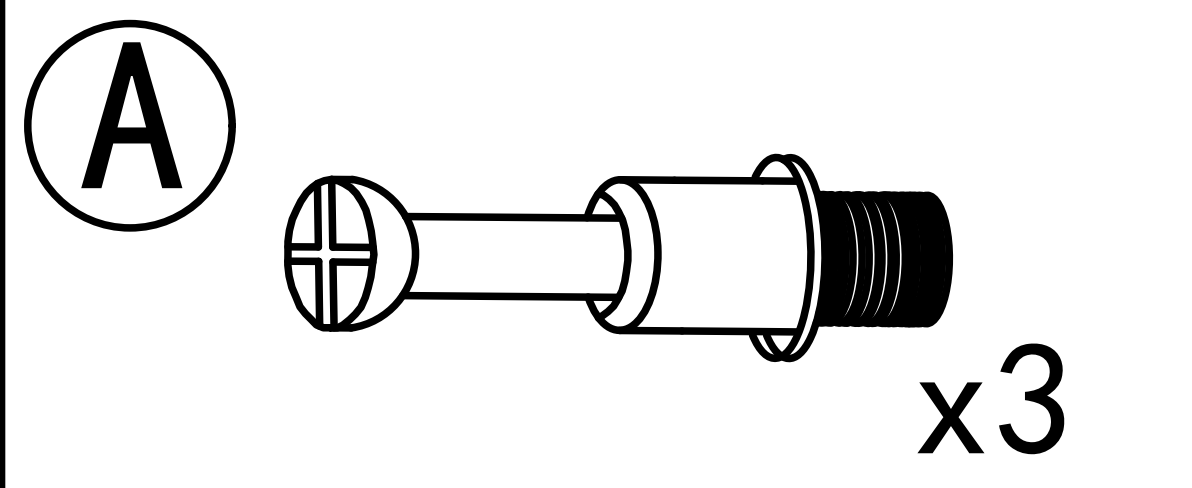
Step 36



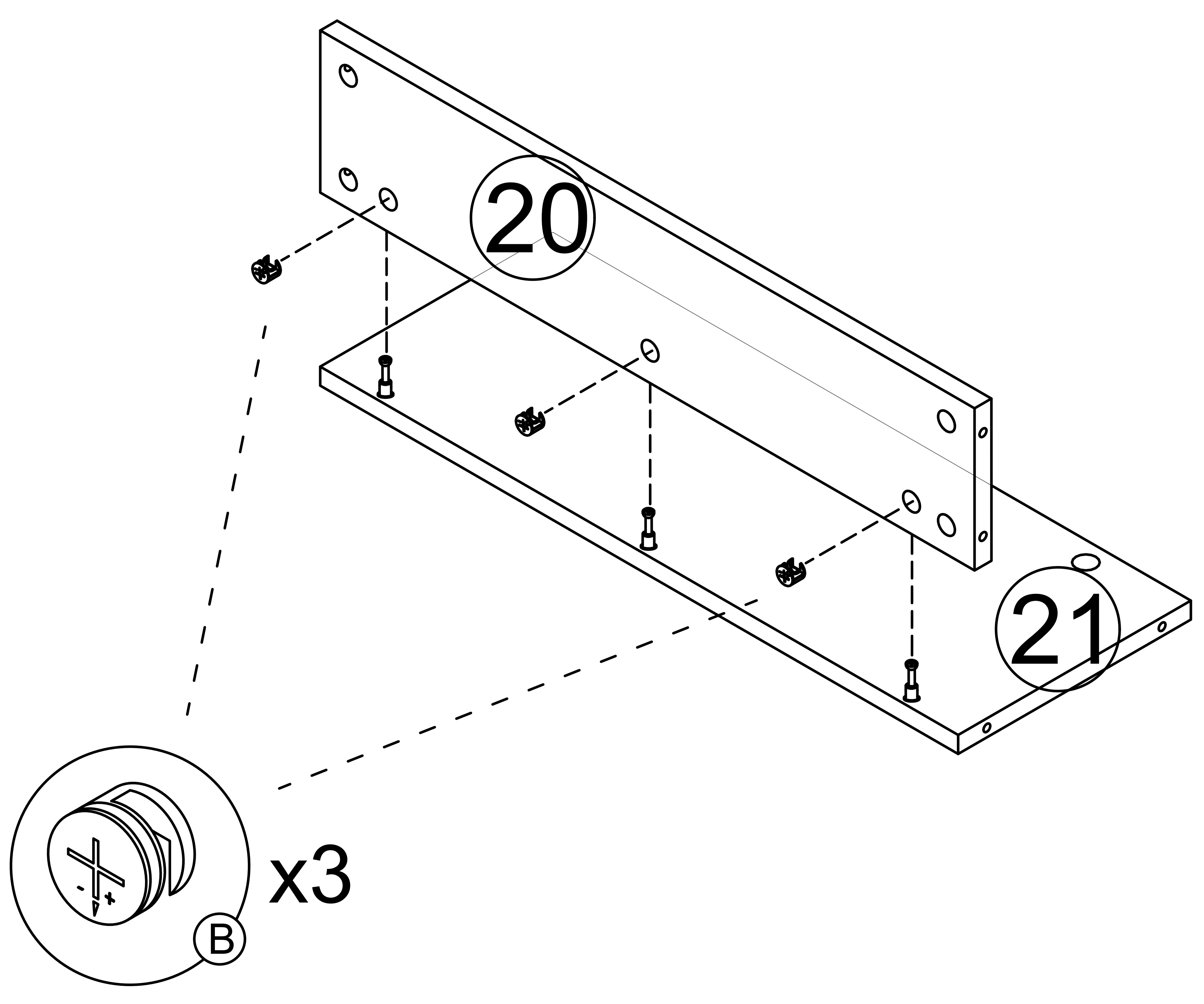
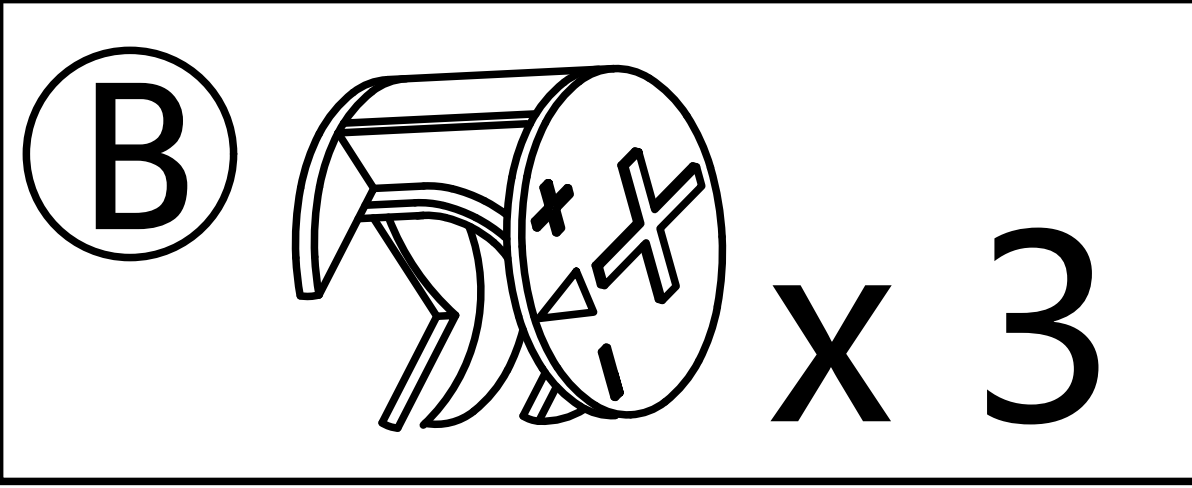
A		36pcs	B		32pcs
C		4pcs	E	 	2pcs 4pcs
G		4pcs			



Step 37

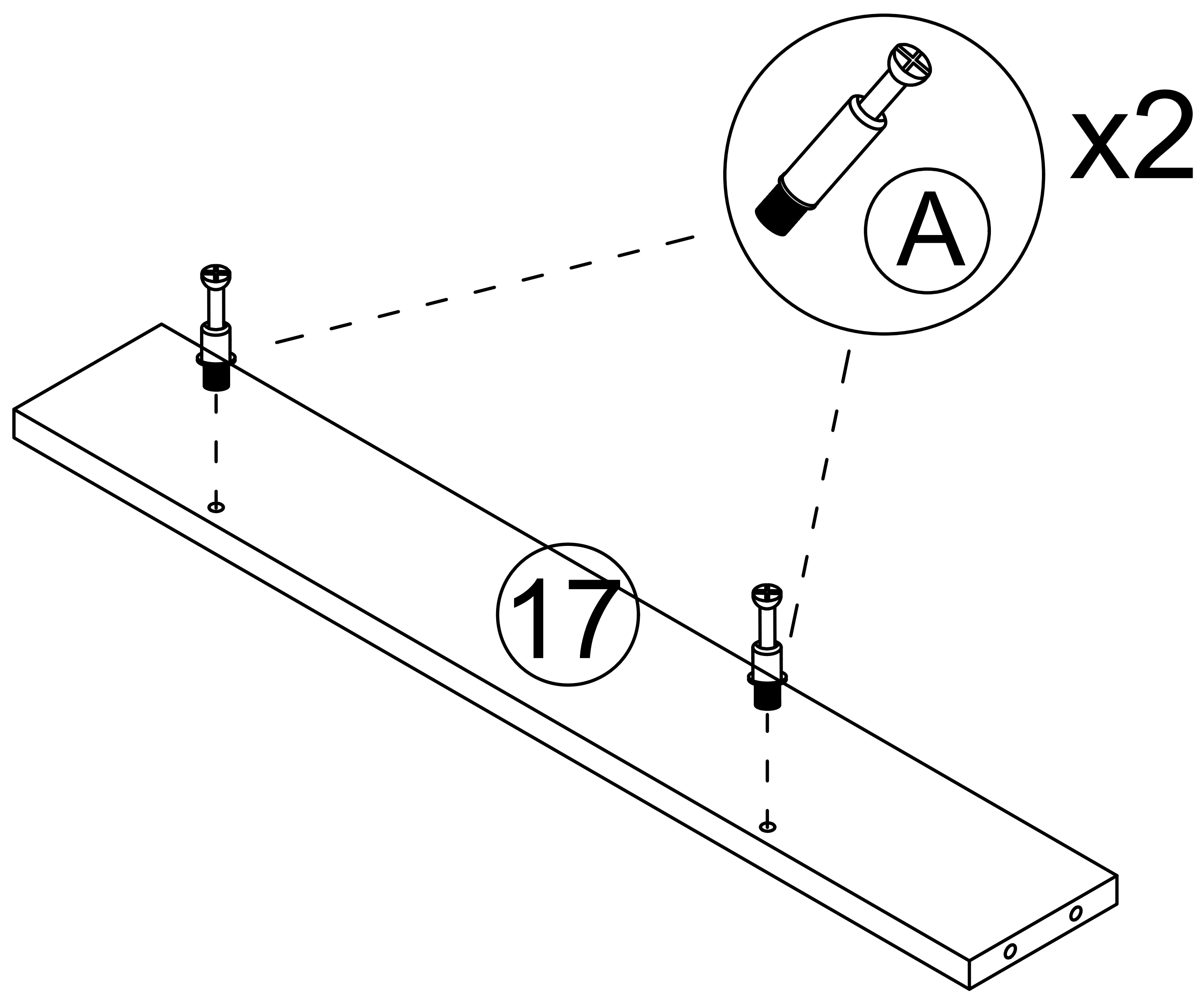
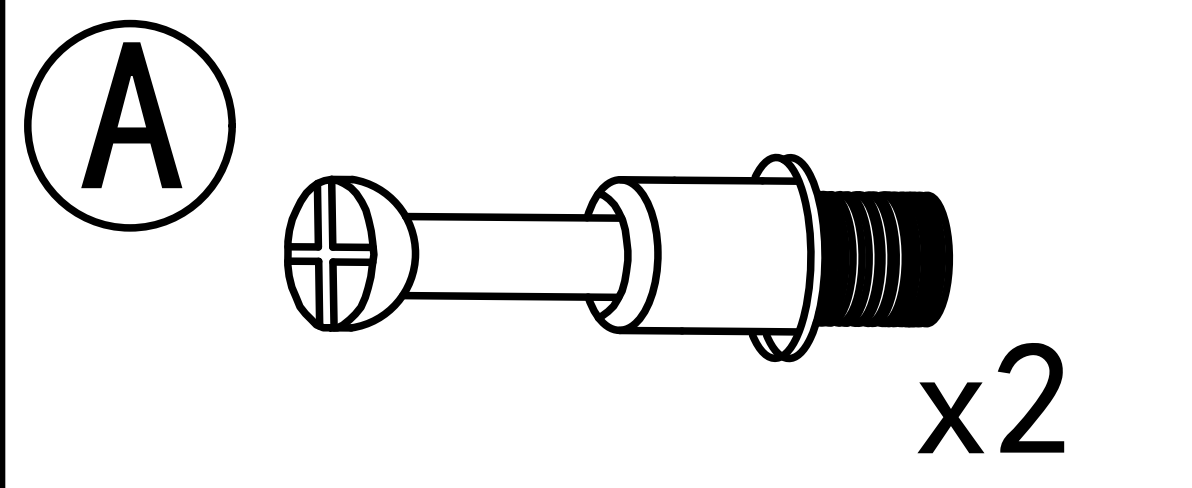


Step 38

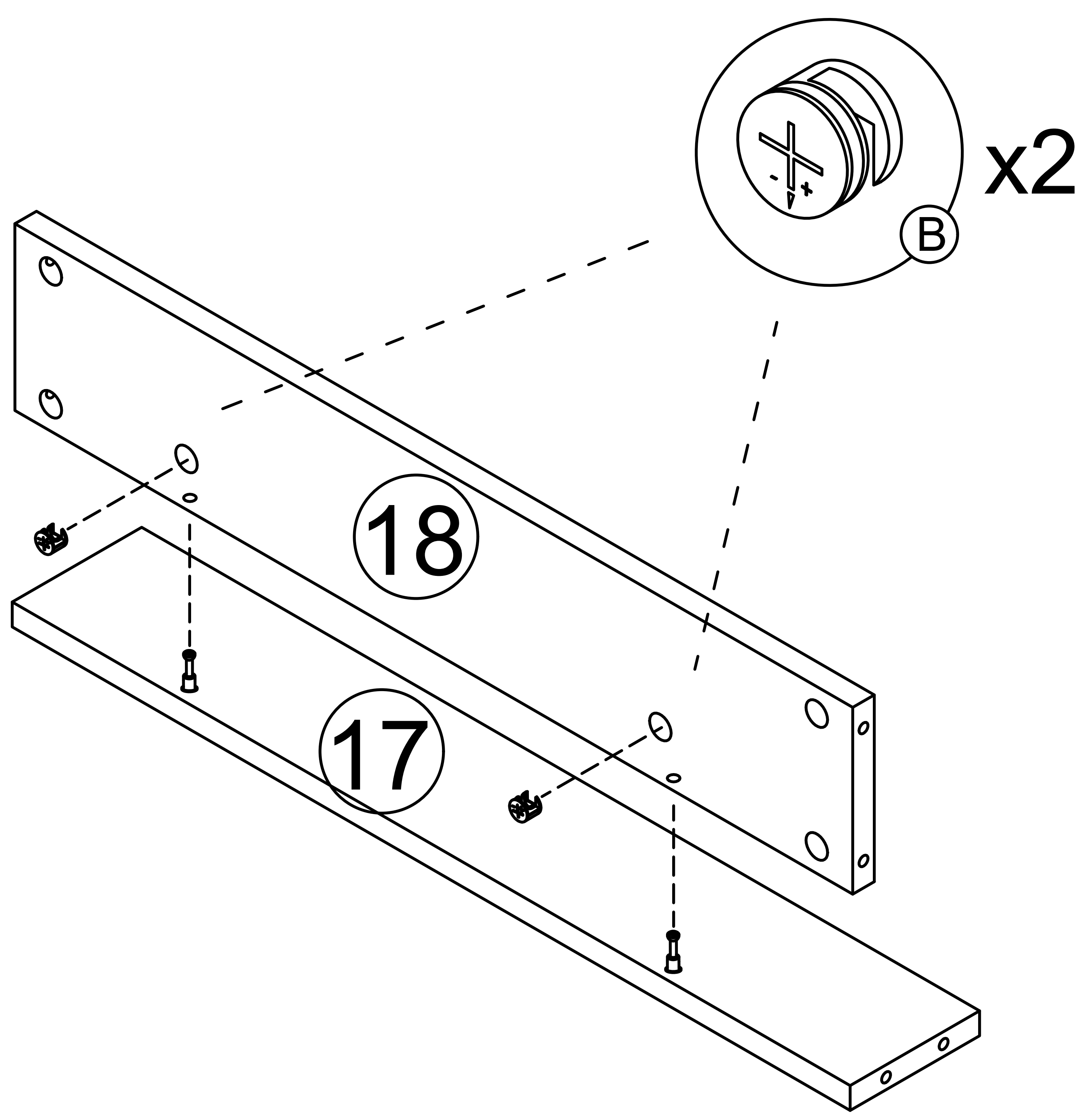
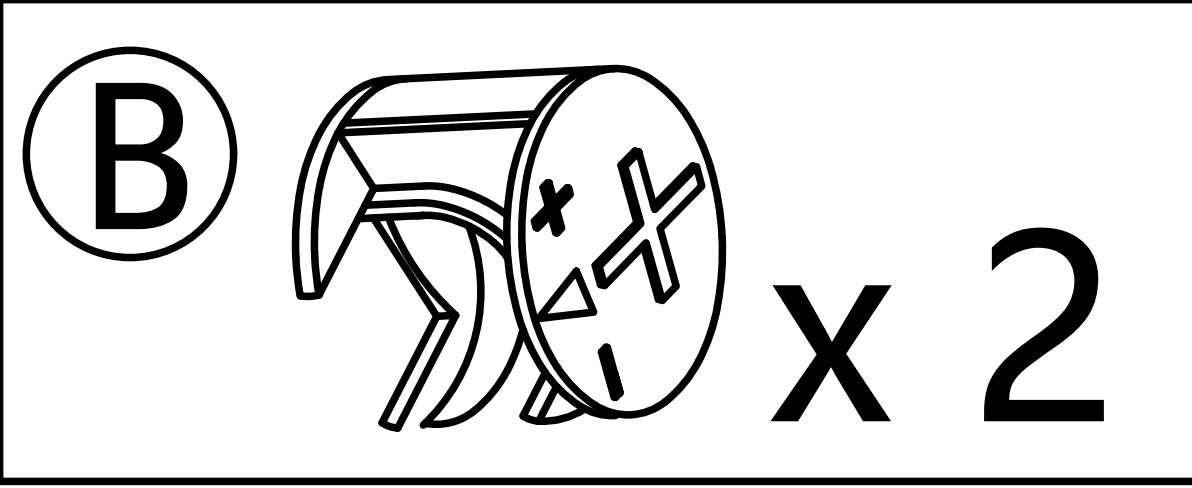


27

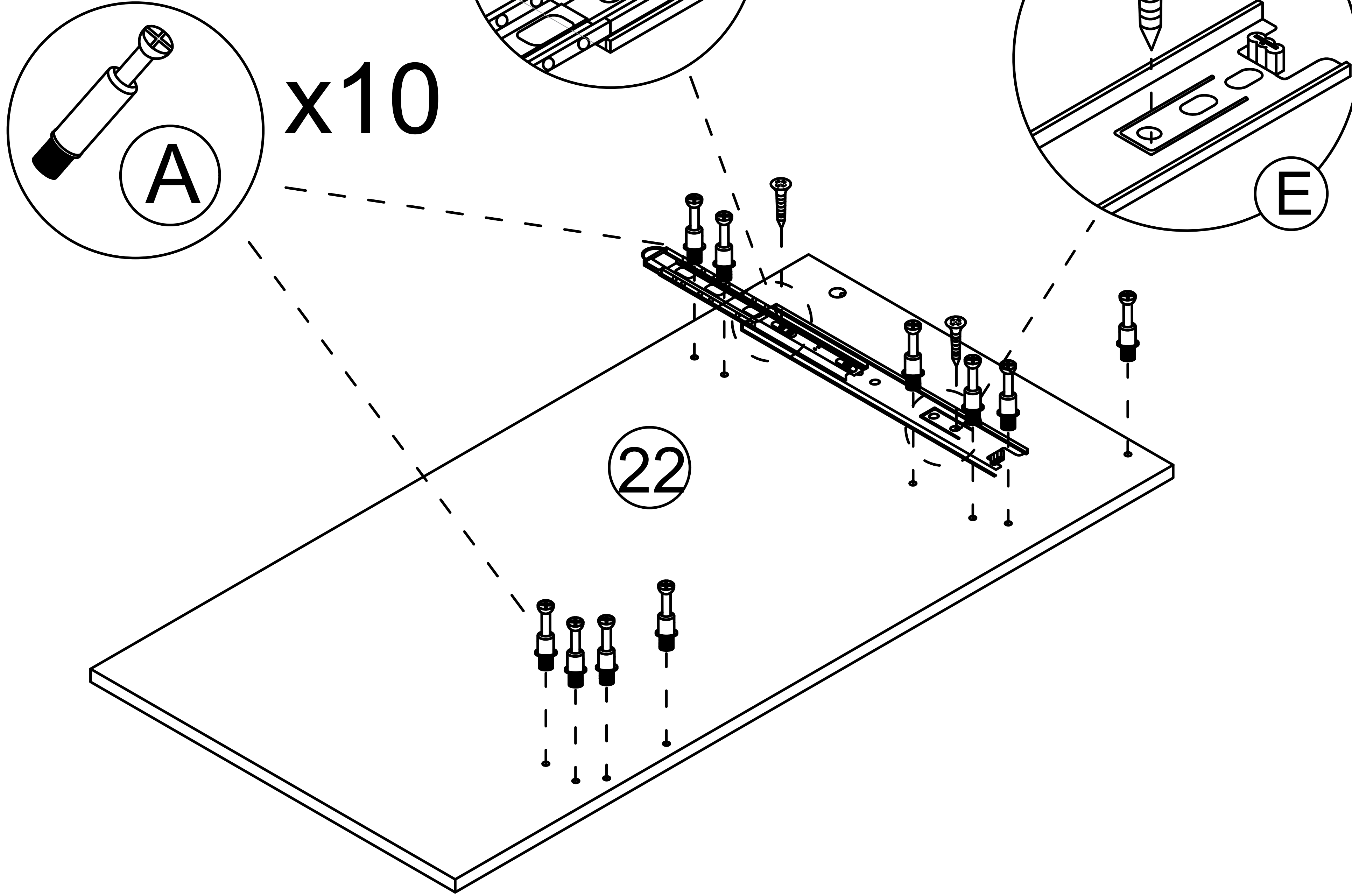
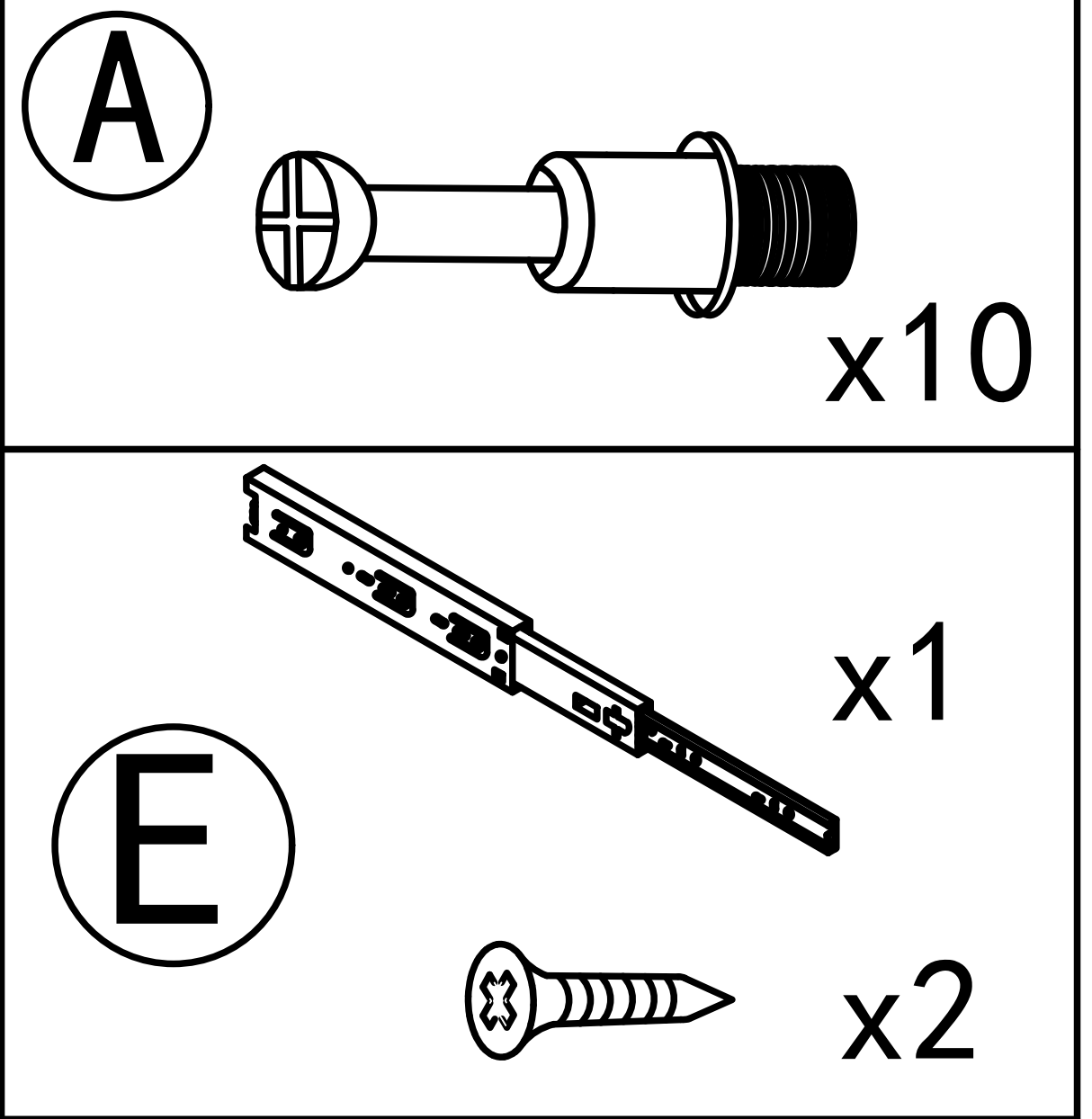
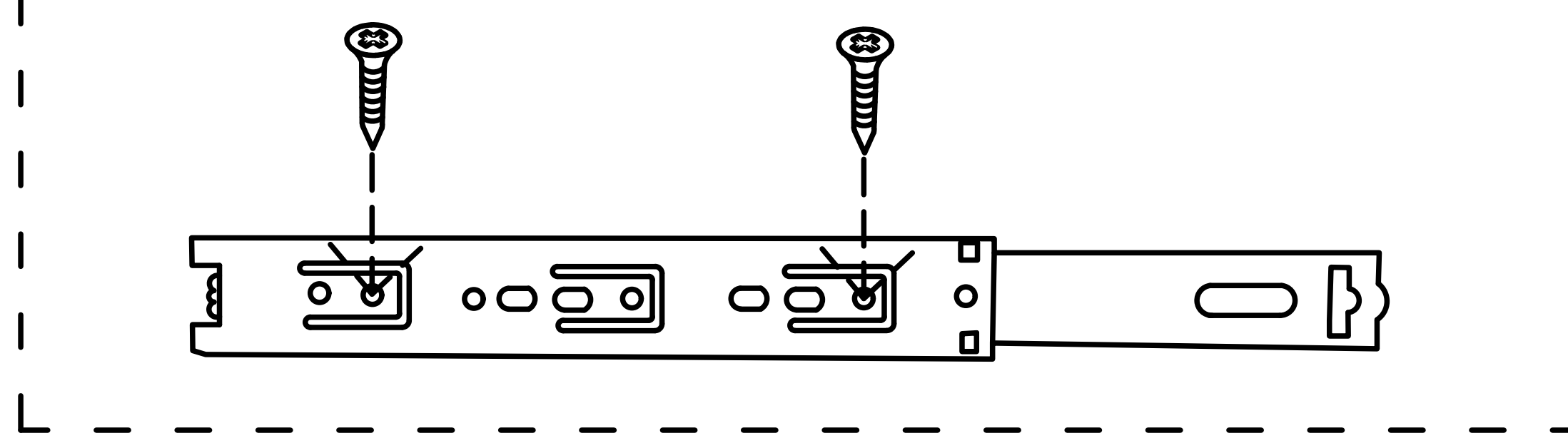
Step 39



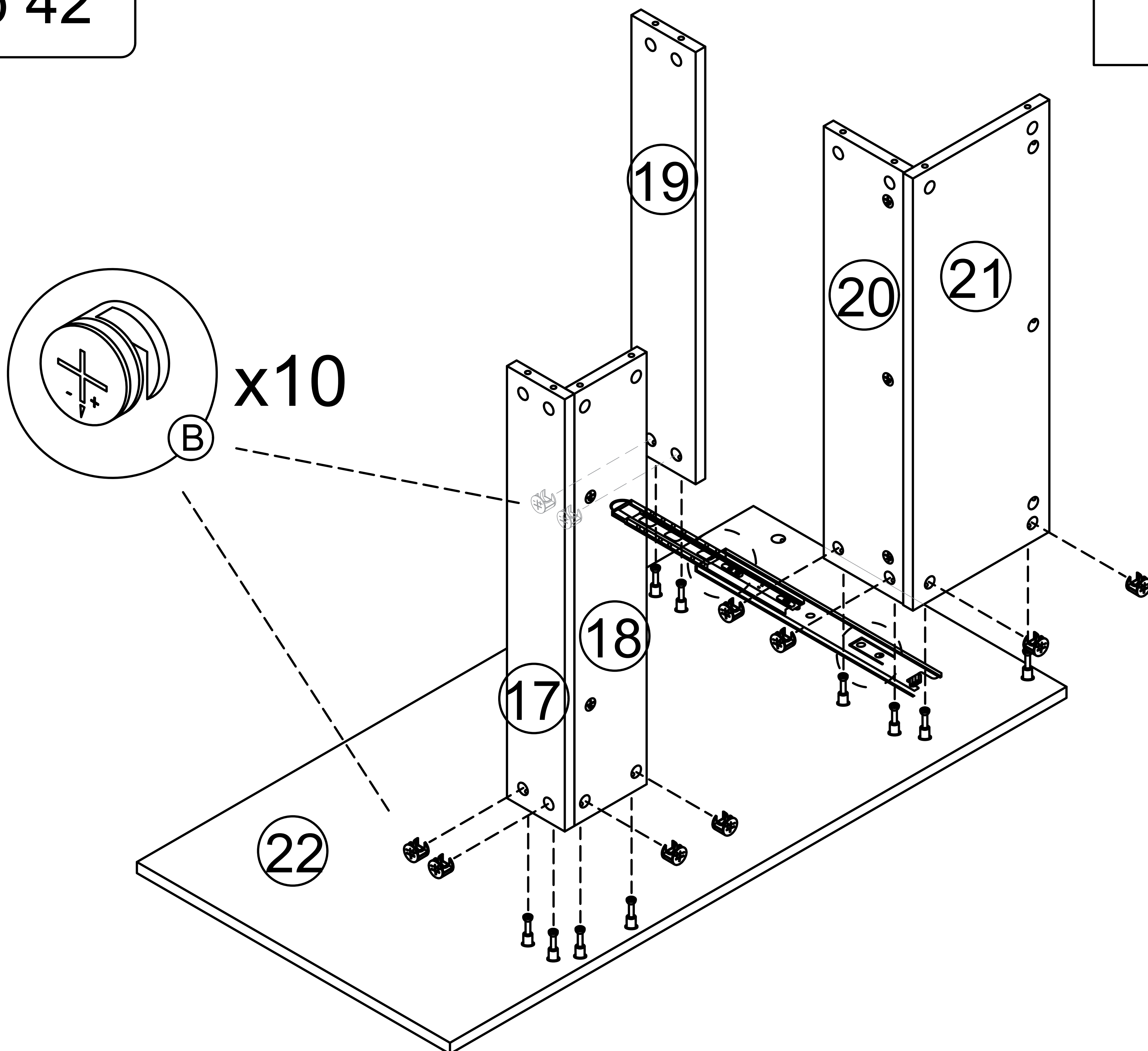
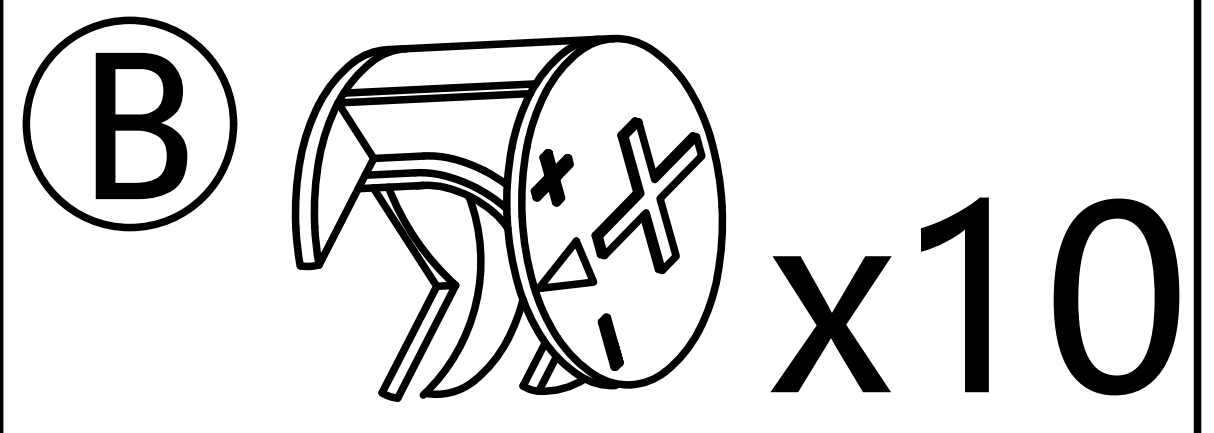
Step 40



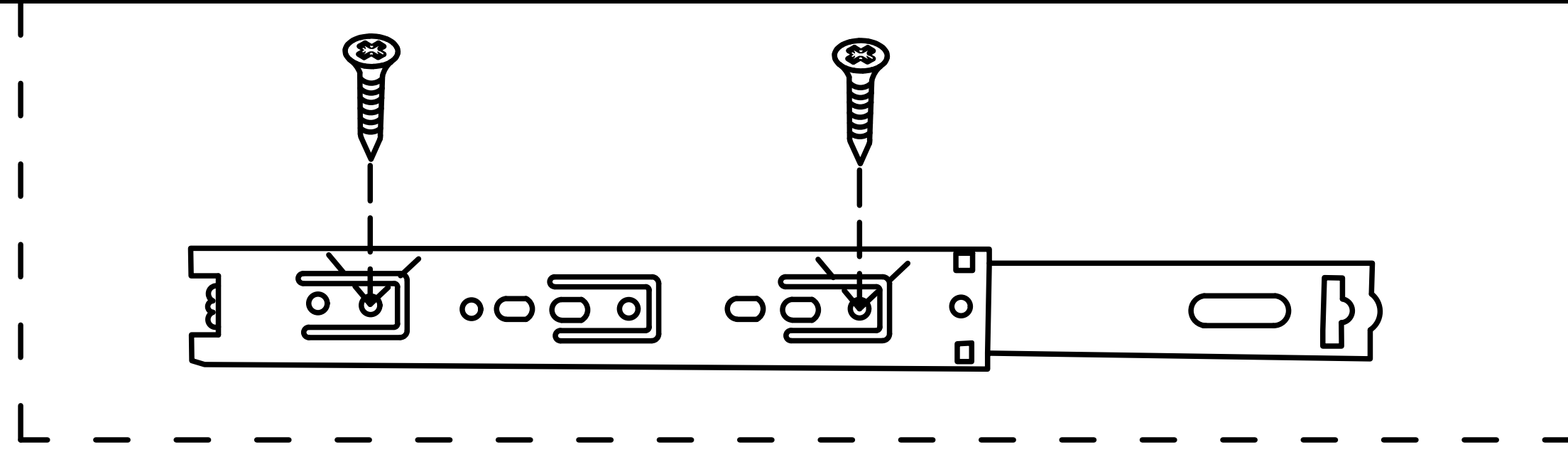
Step 41

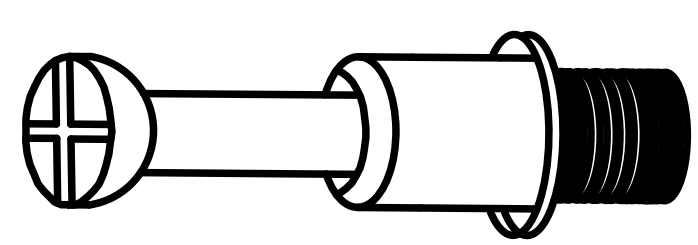
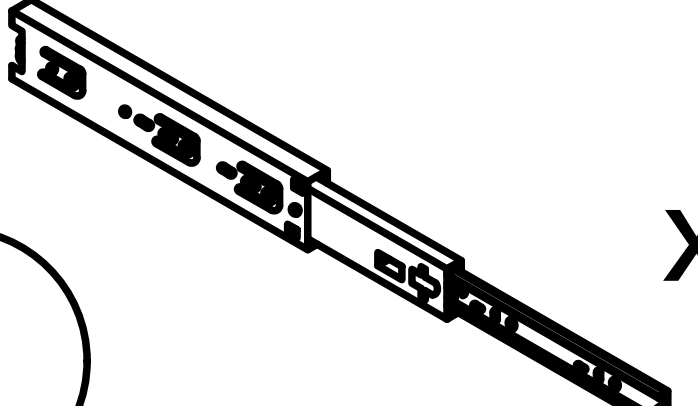
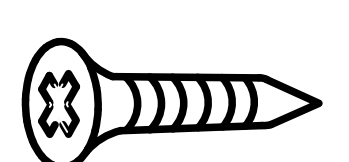


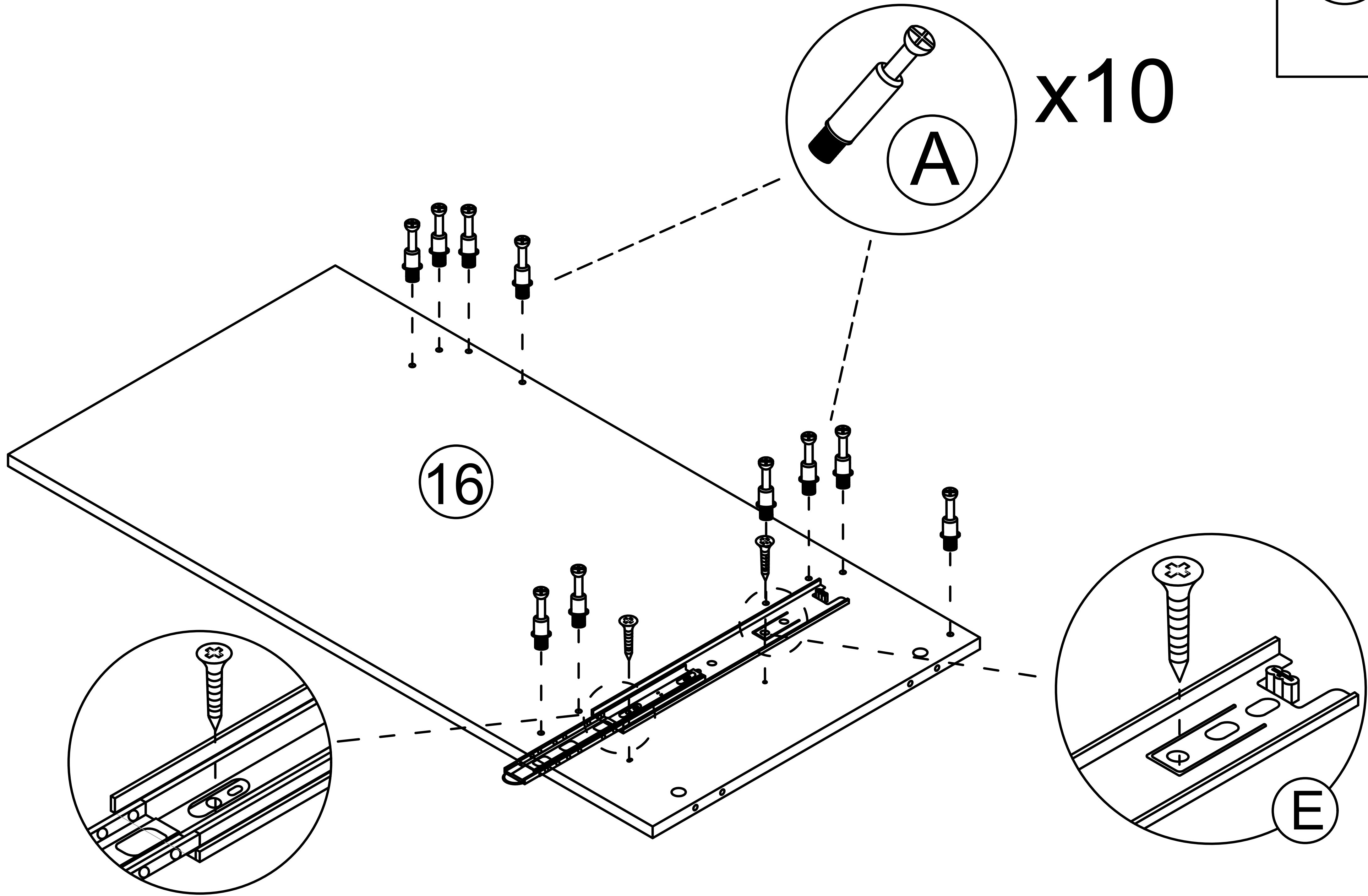
Step 42



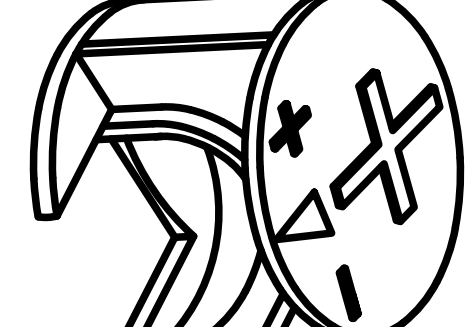

Step 43

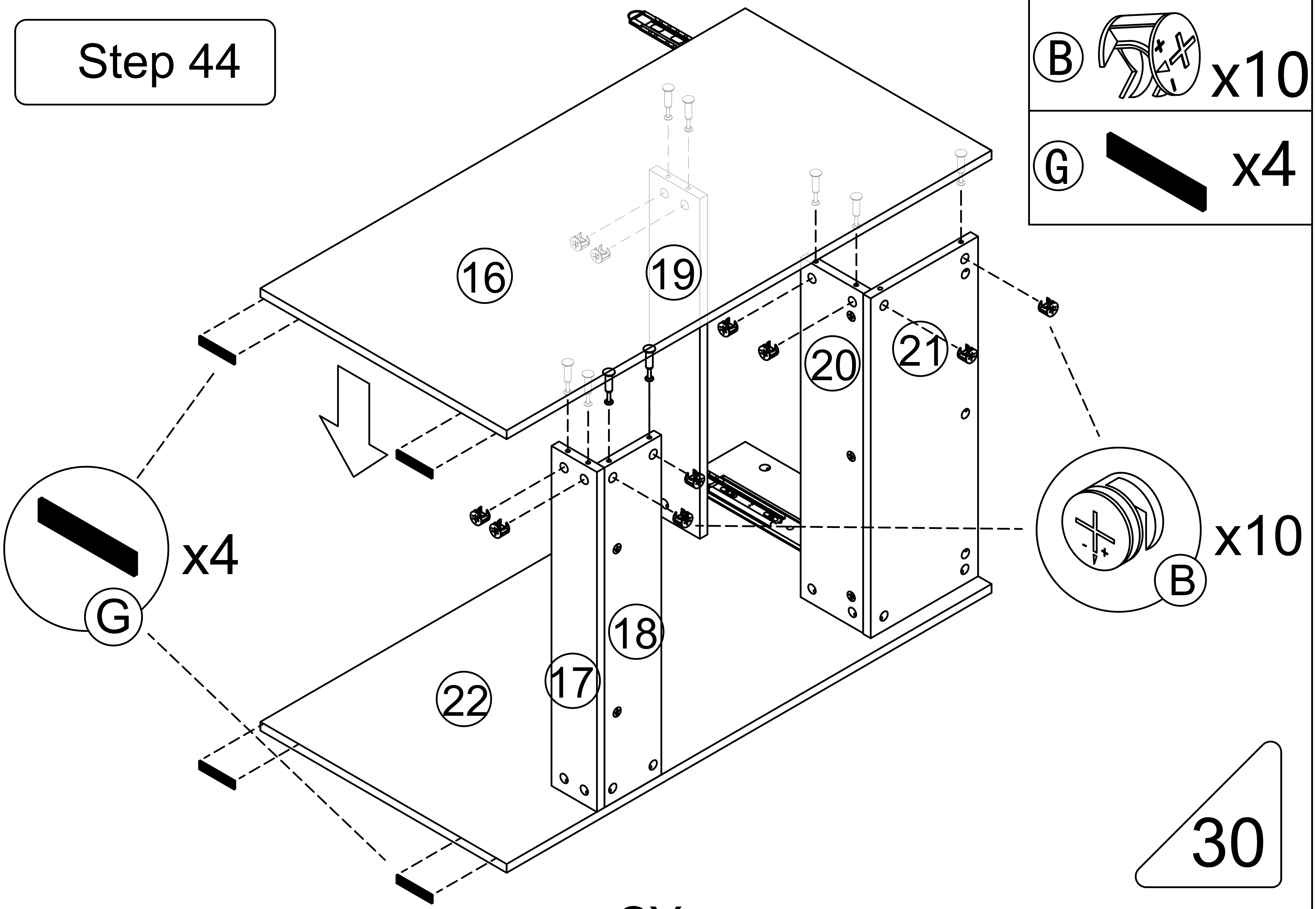


- A**  x10
- E**  x1
-  x2

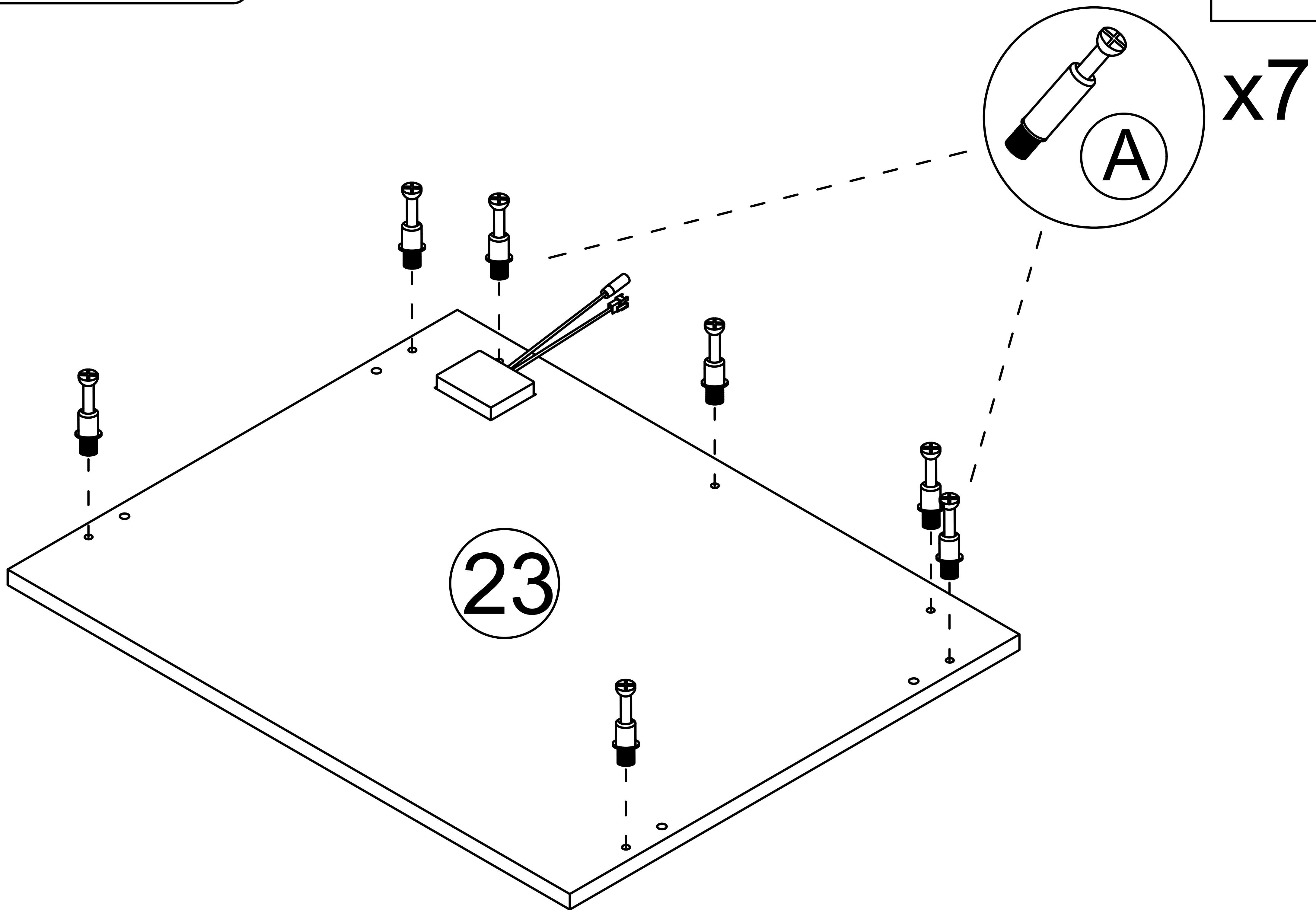
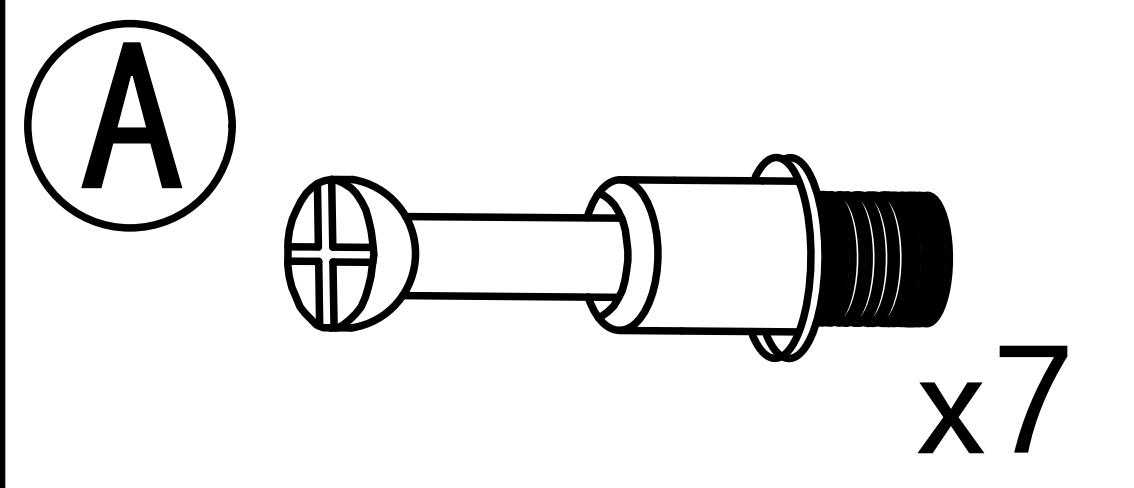


Step 44

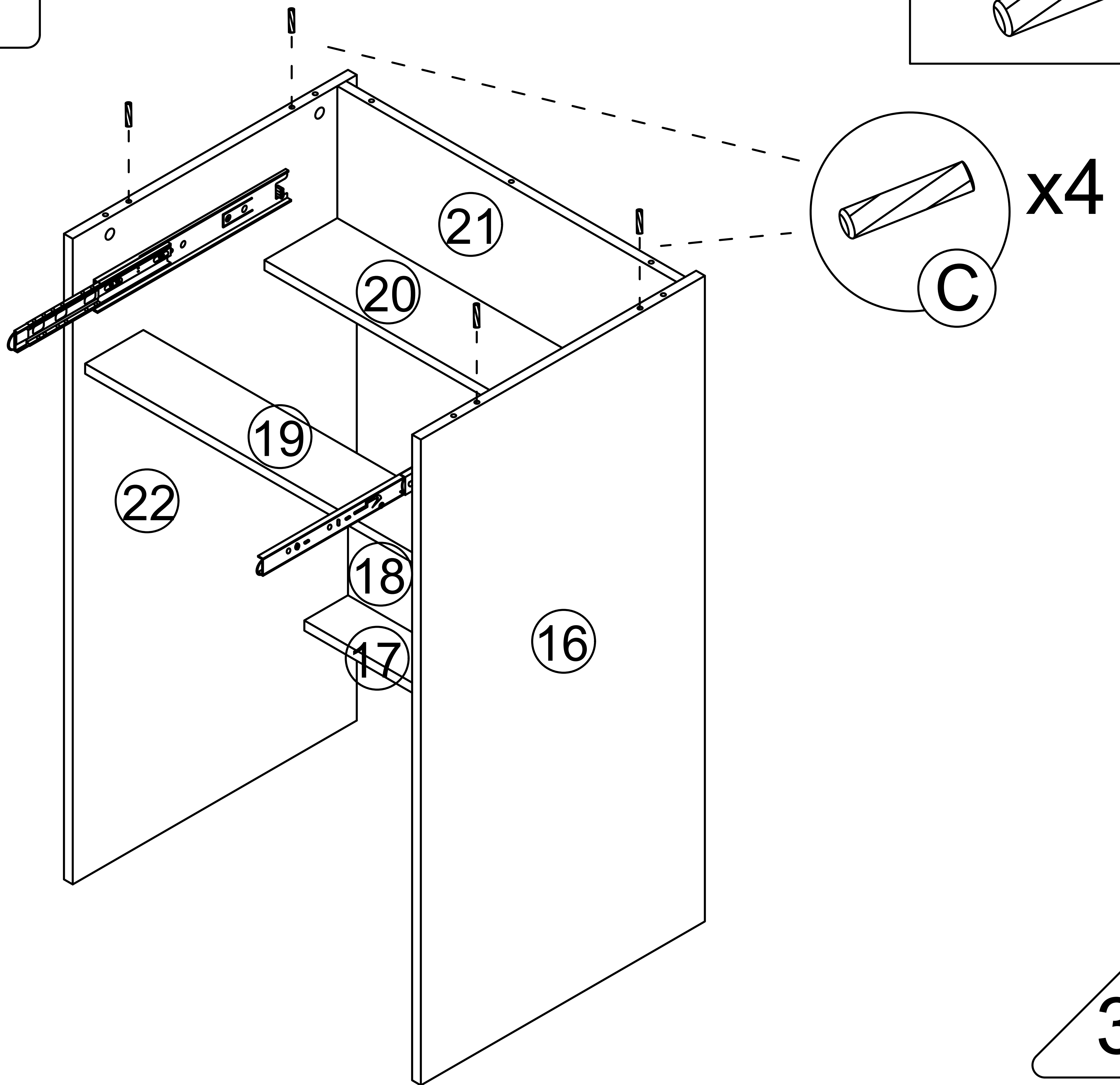
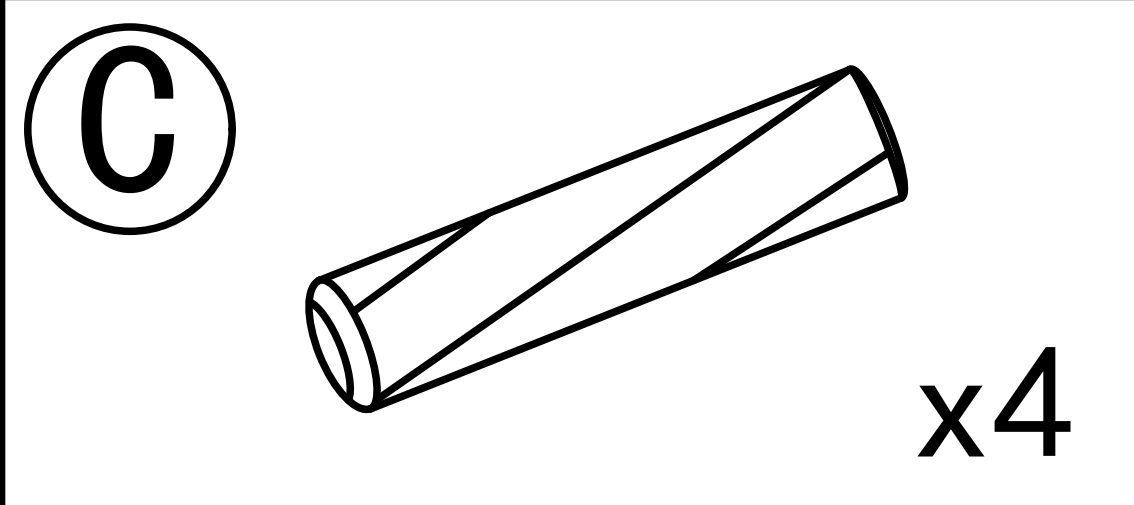
- B**  x10
- G**  x4



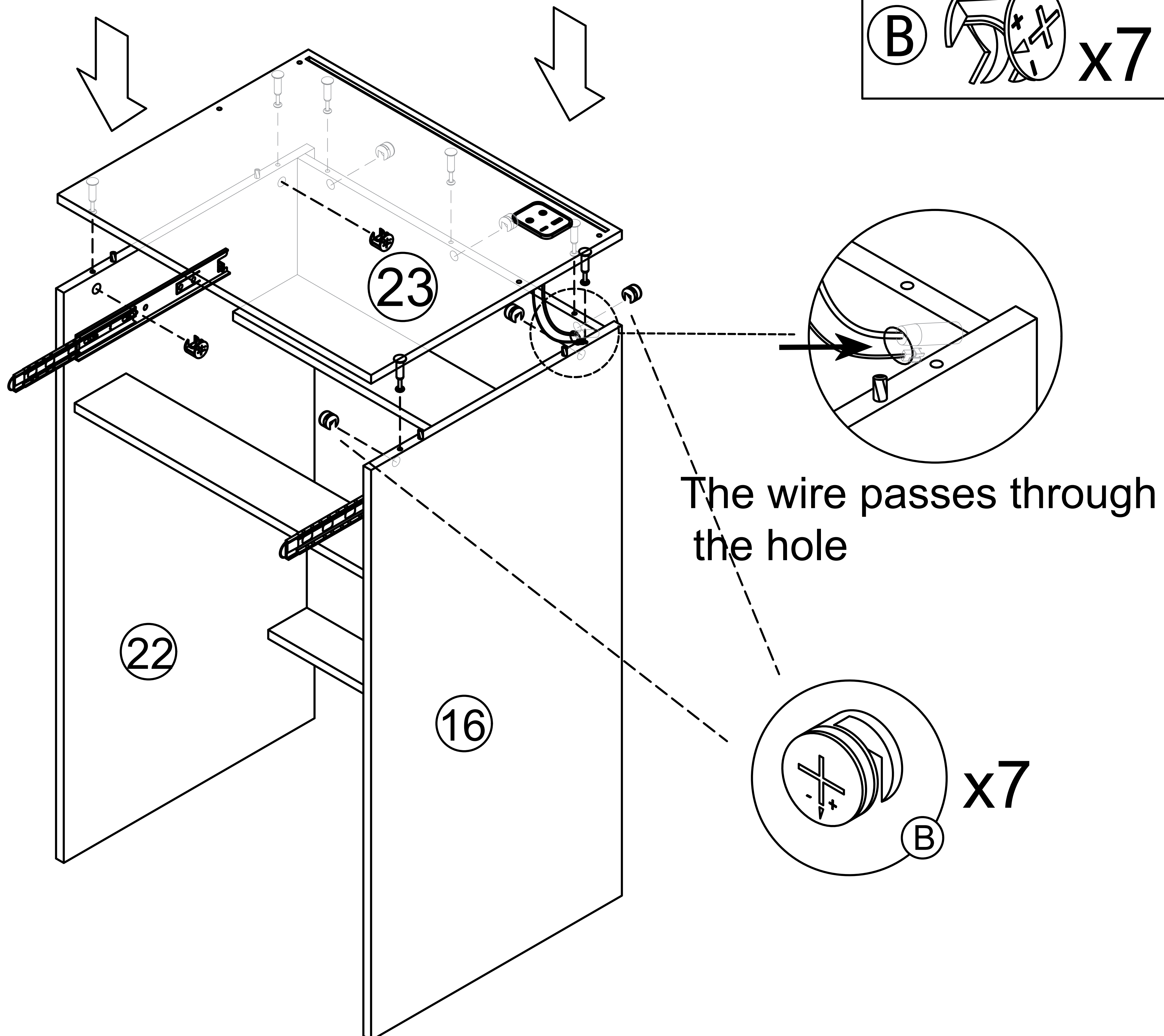
Step 45



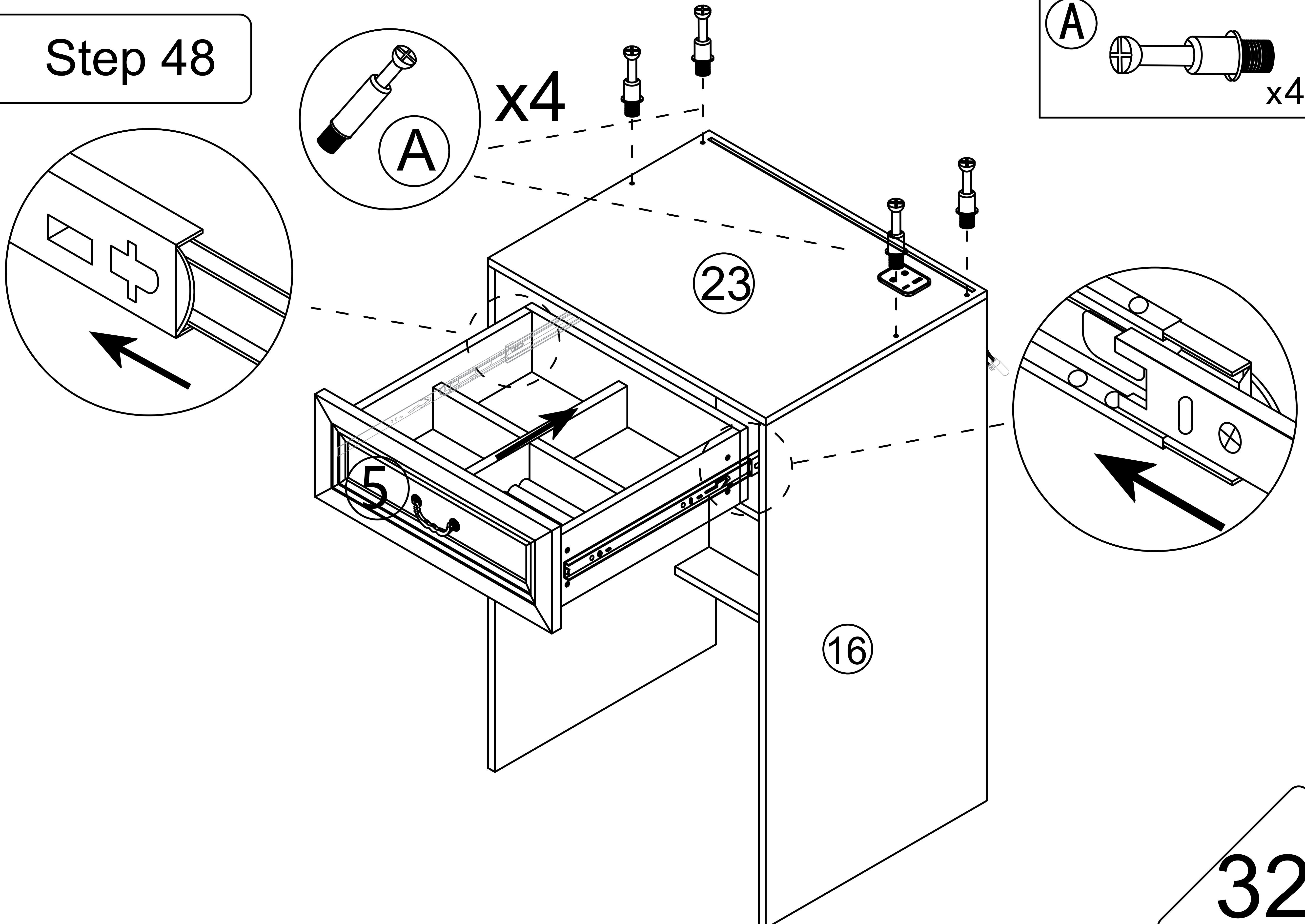
Step 46

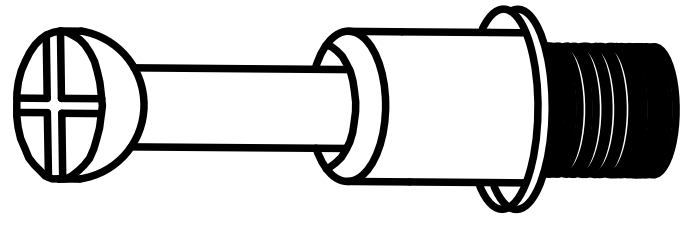
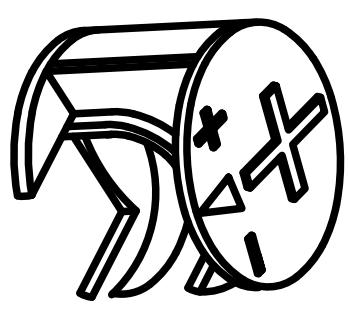
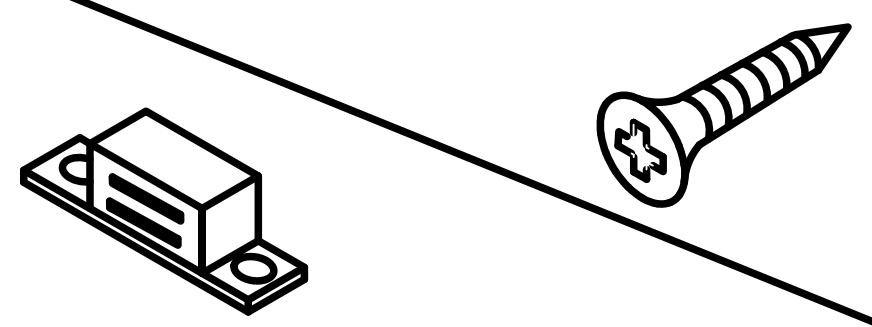
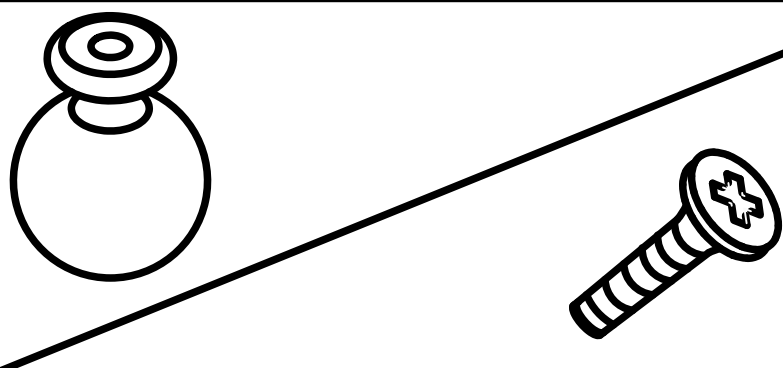
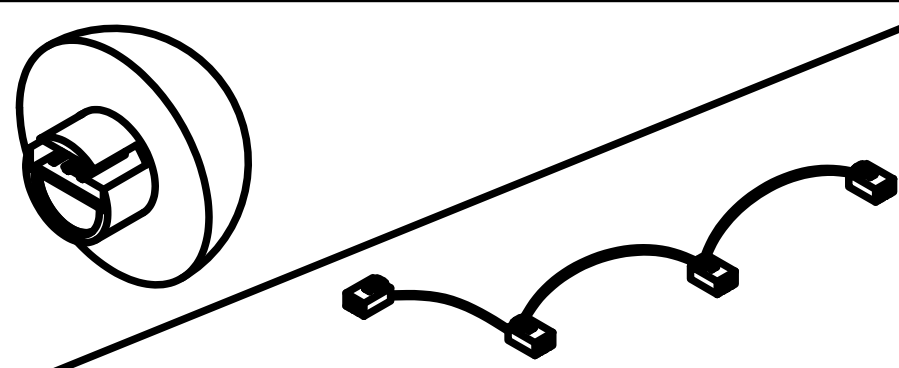
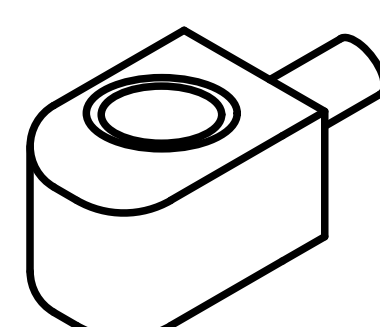
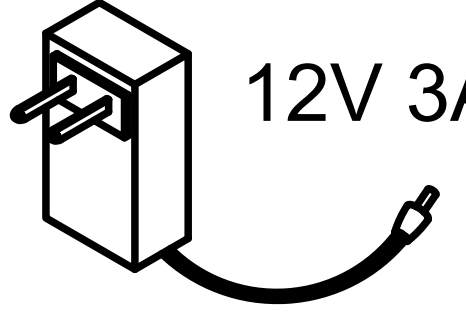
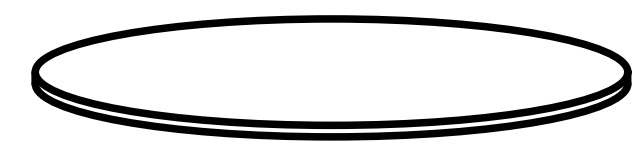
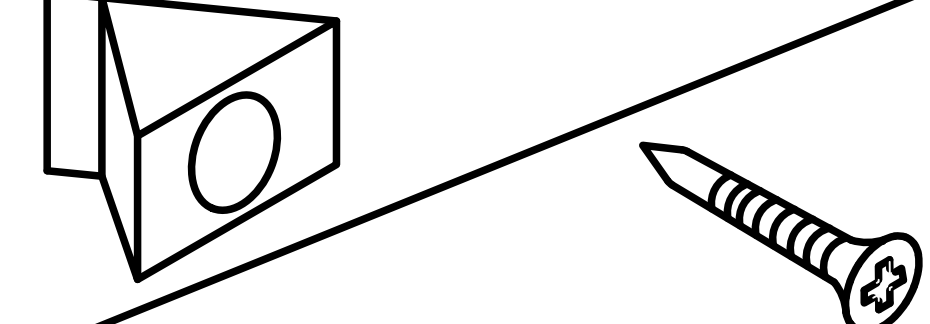
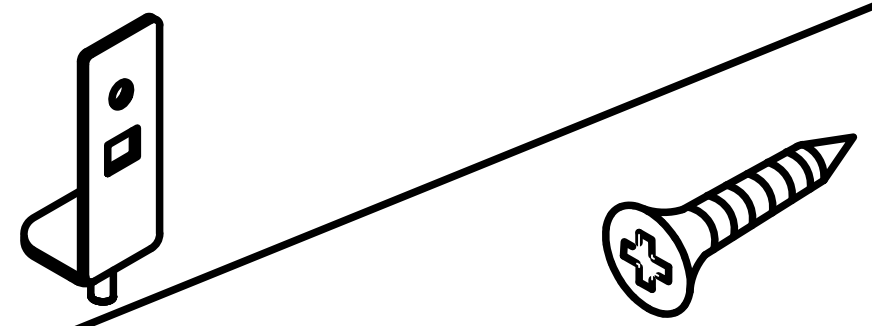
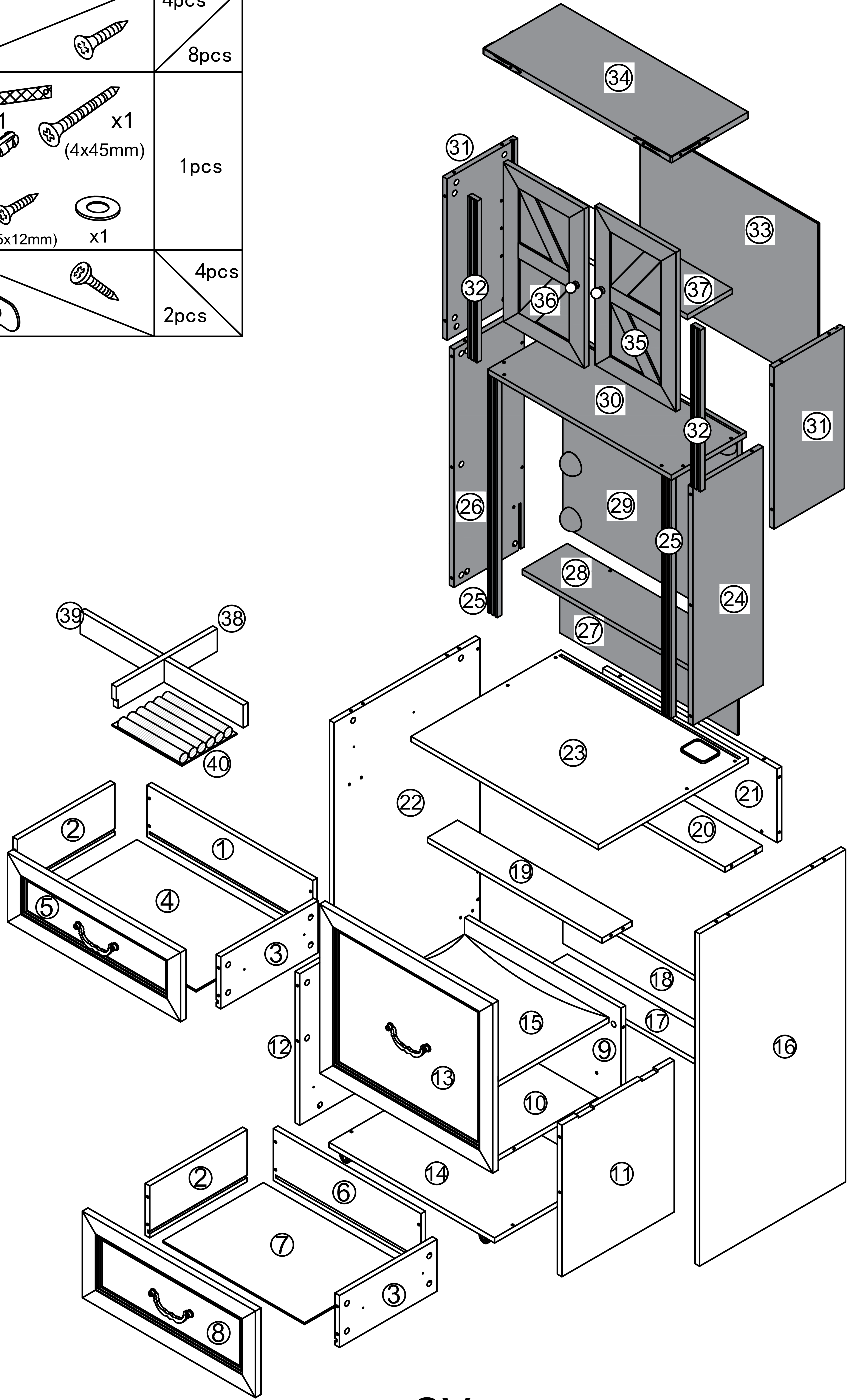
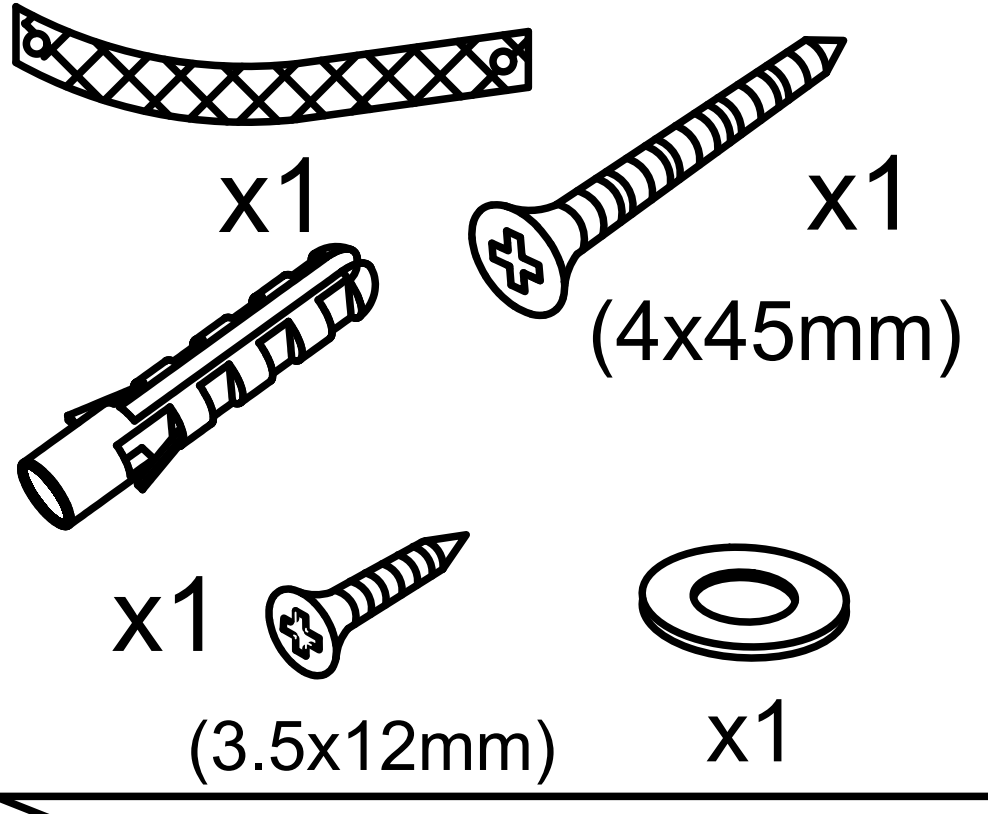
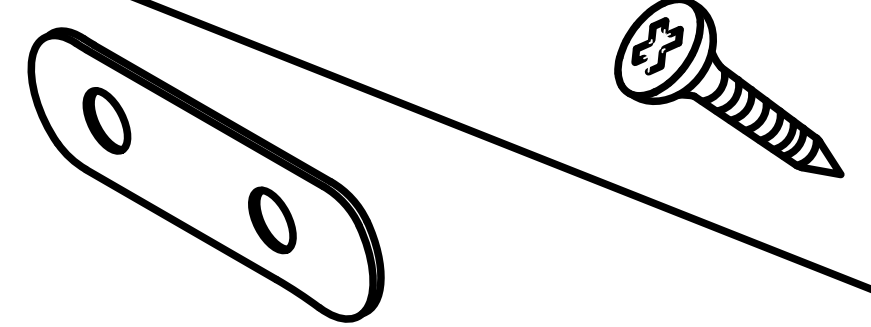


Step 47

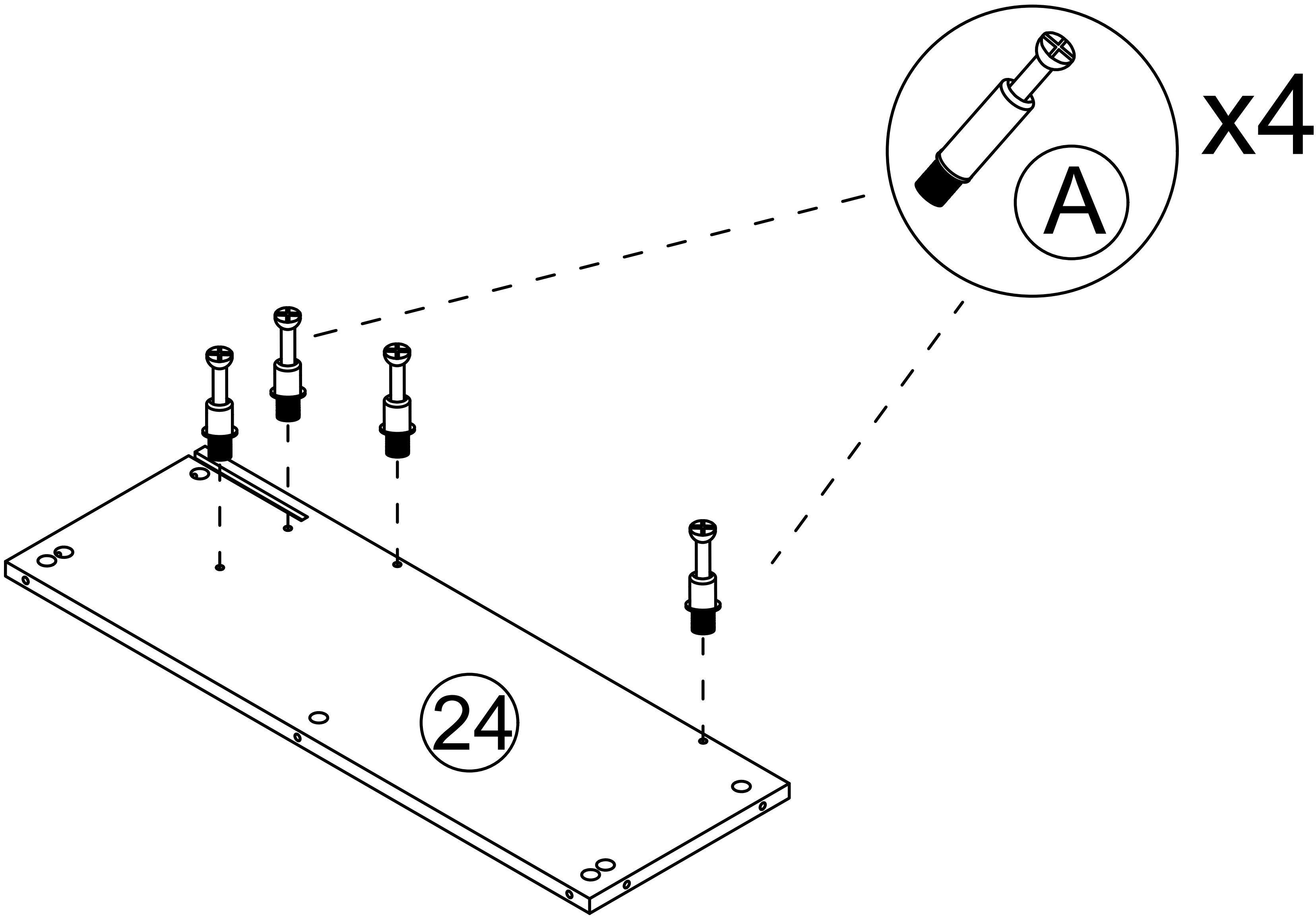
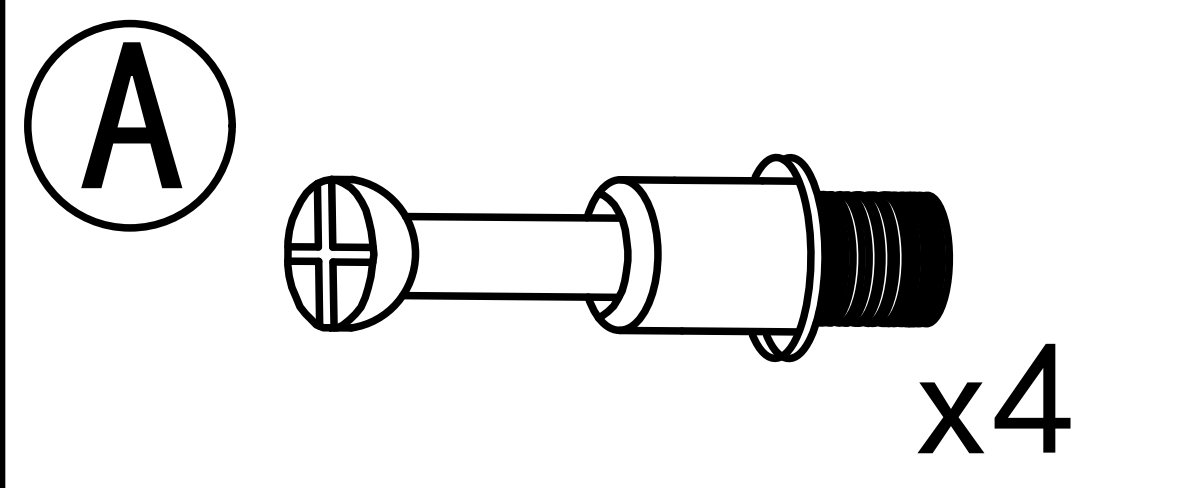


Step 48

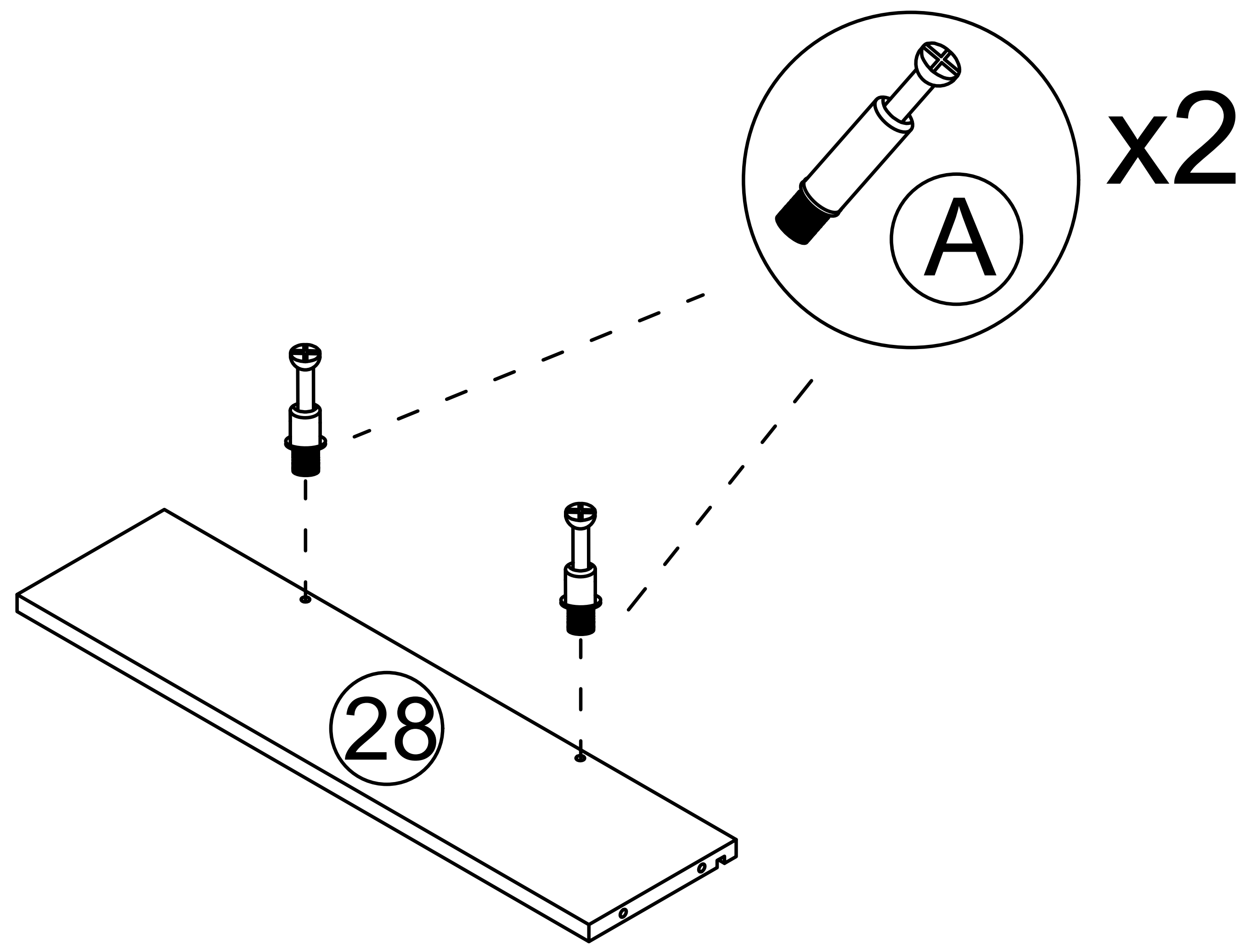
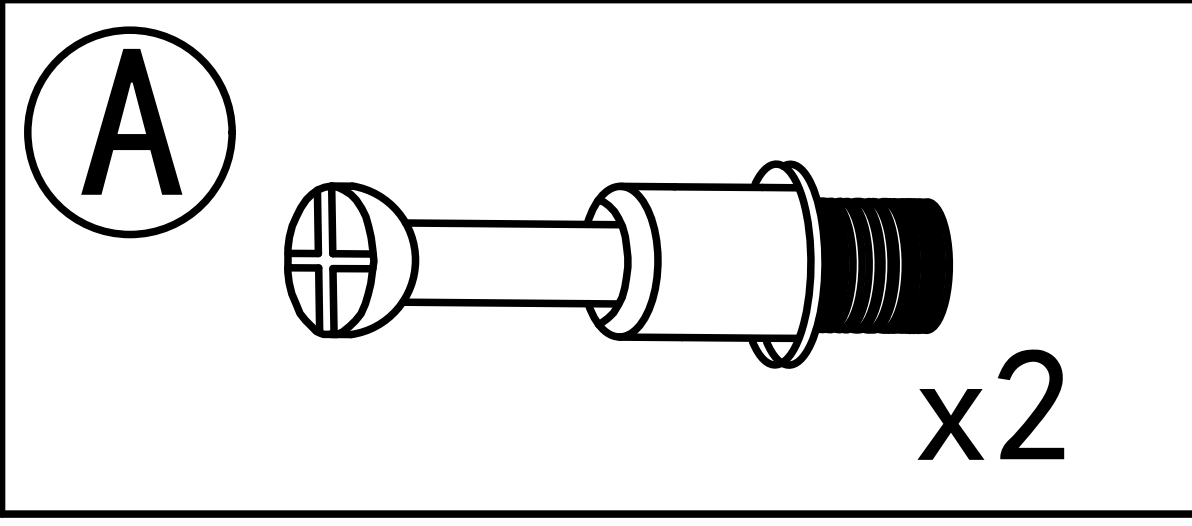


A		34pcs	B		38pcs	Q		2pcs 1pcs
L		2pcs 2pcs	I		10pcs 1pcs	K		4pcs
O		1pcs	N		10pcs	M		6pcs
P		4pcs 8pcs						
R		1pcs						
F		4pcs 2pcs						

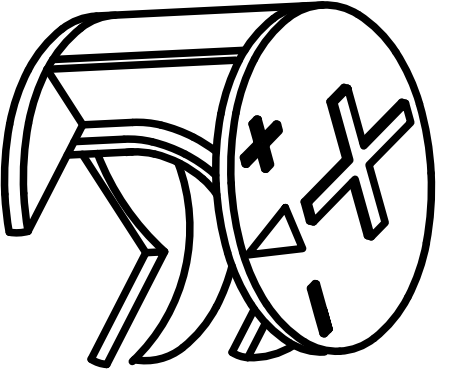
Step 49

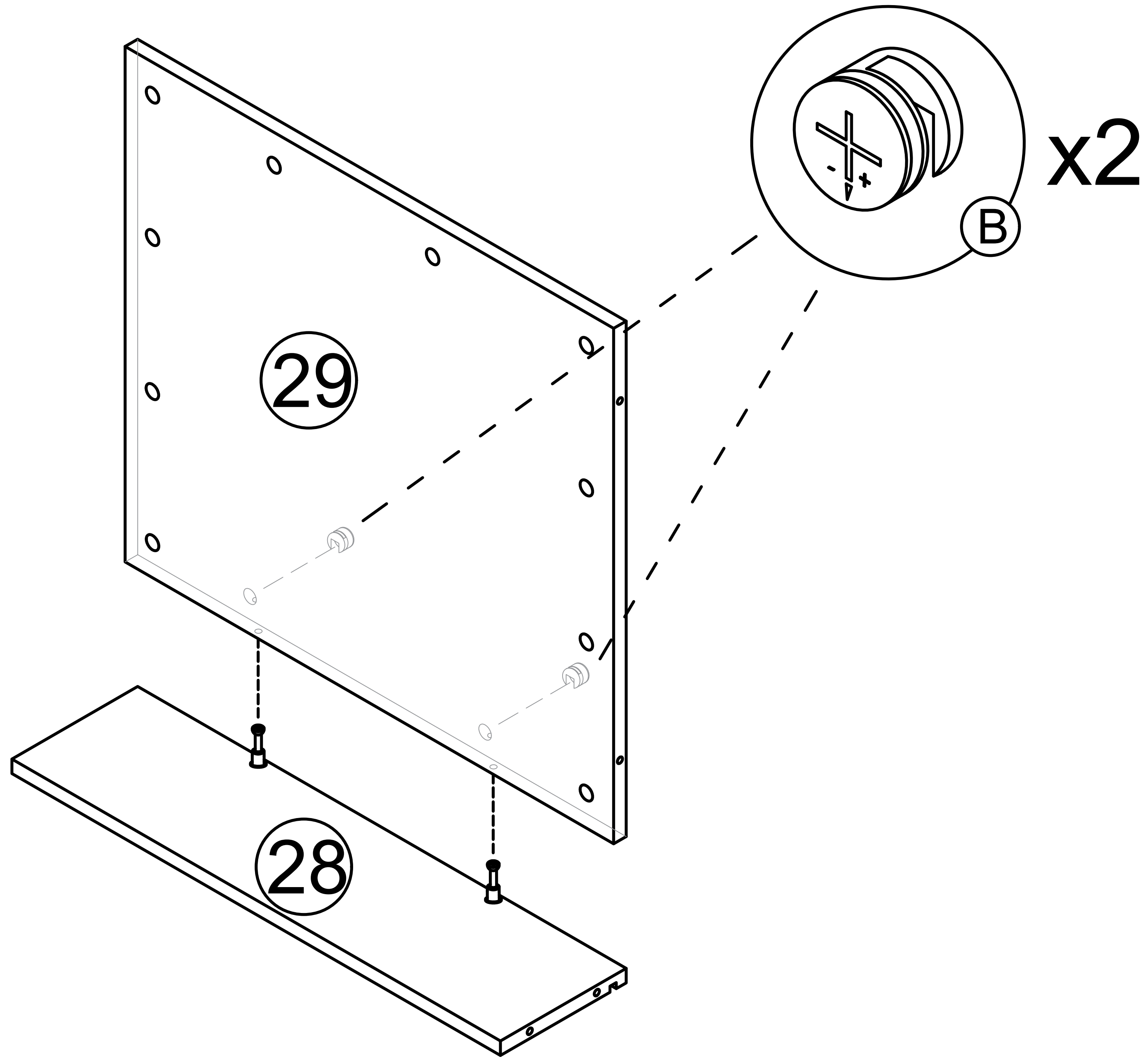


Step 50

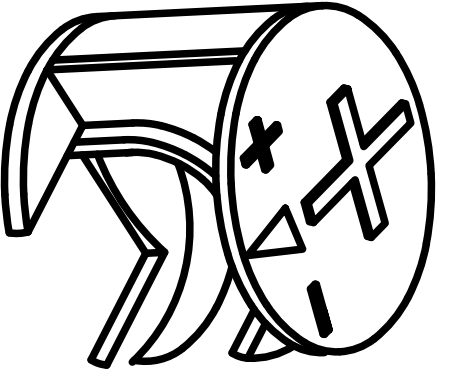


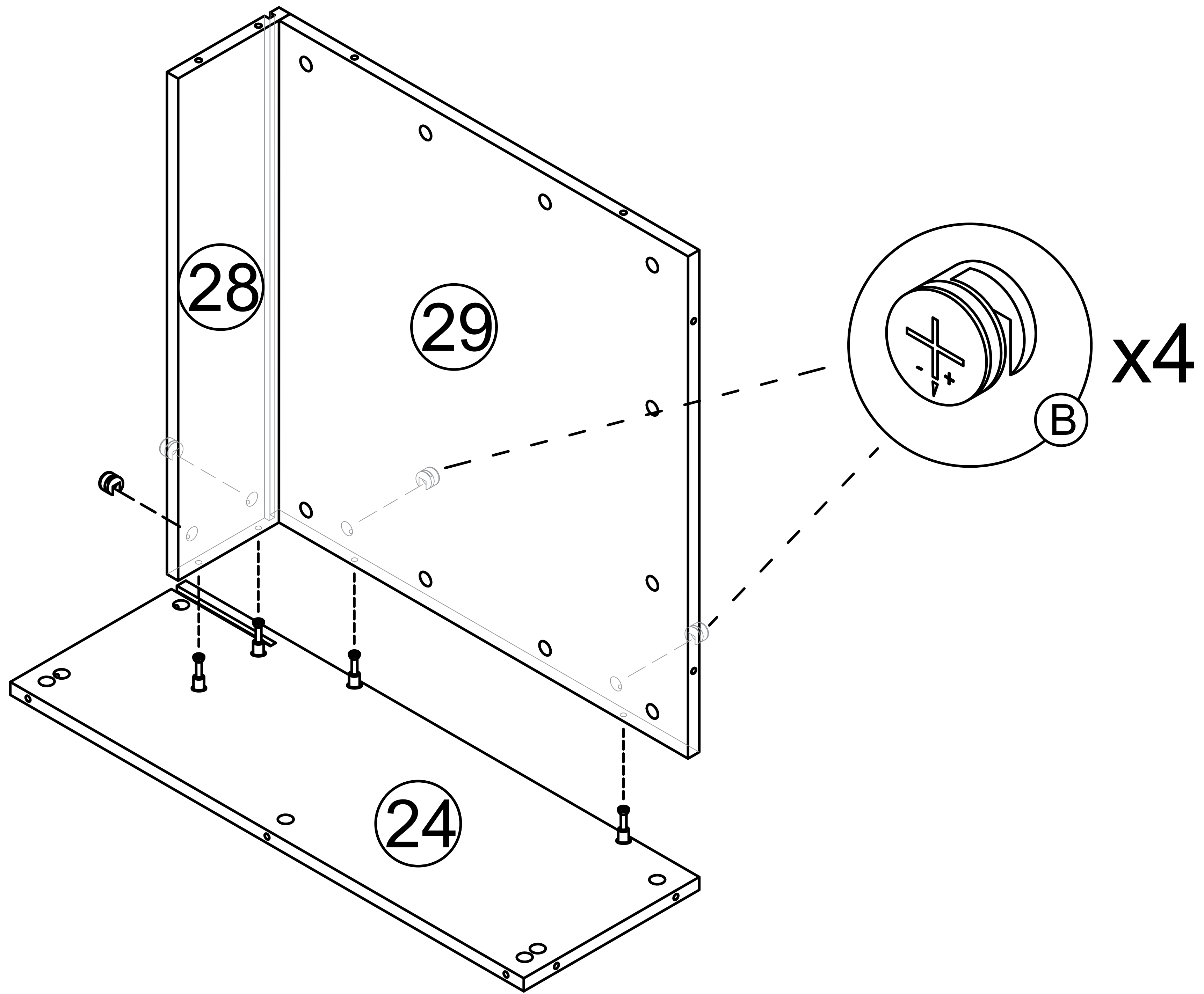
Step 51

B  x2

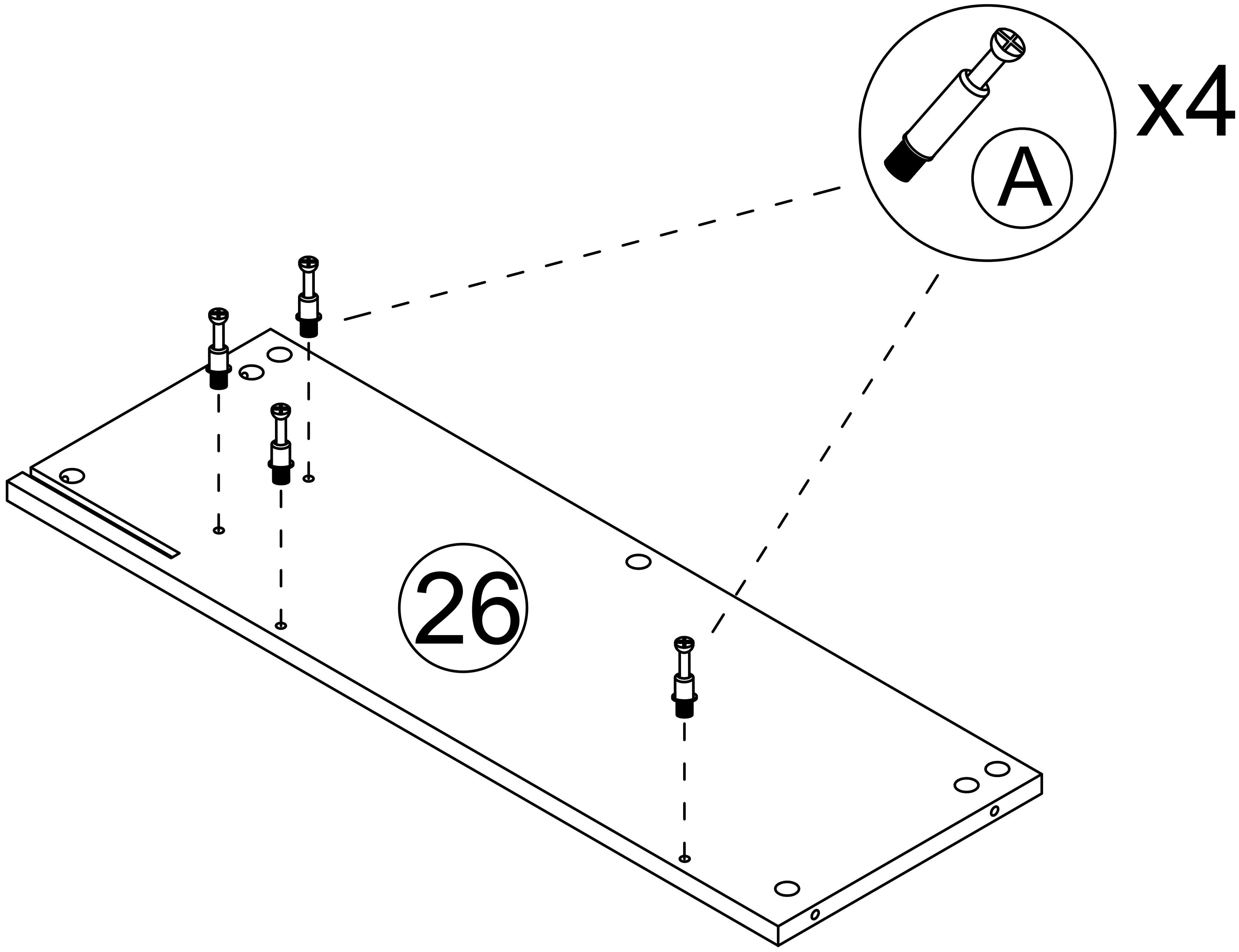
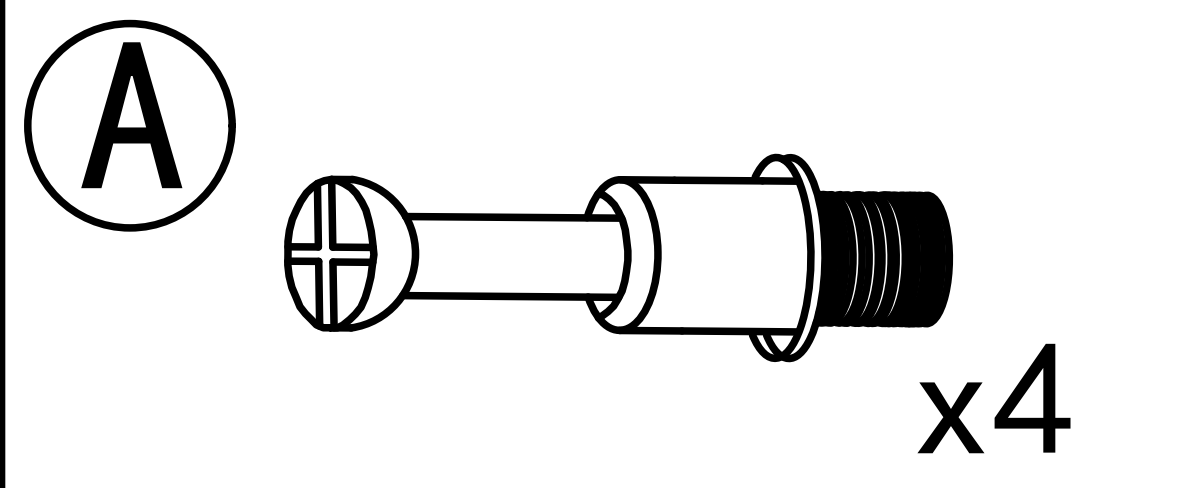


Step 52

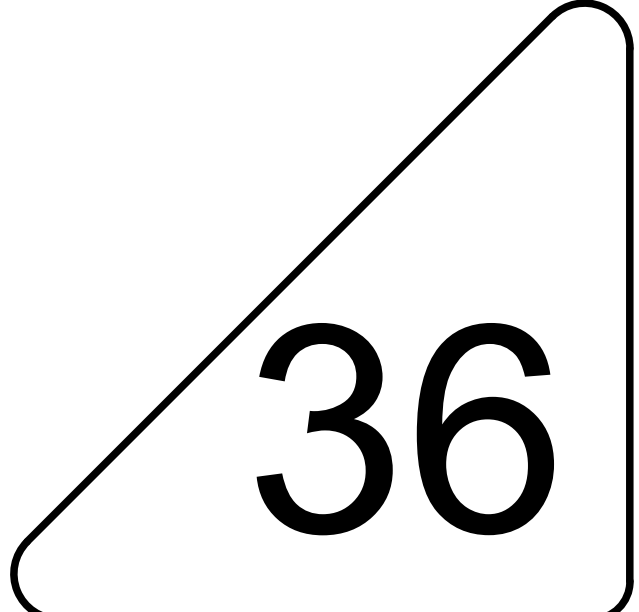
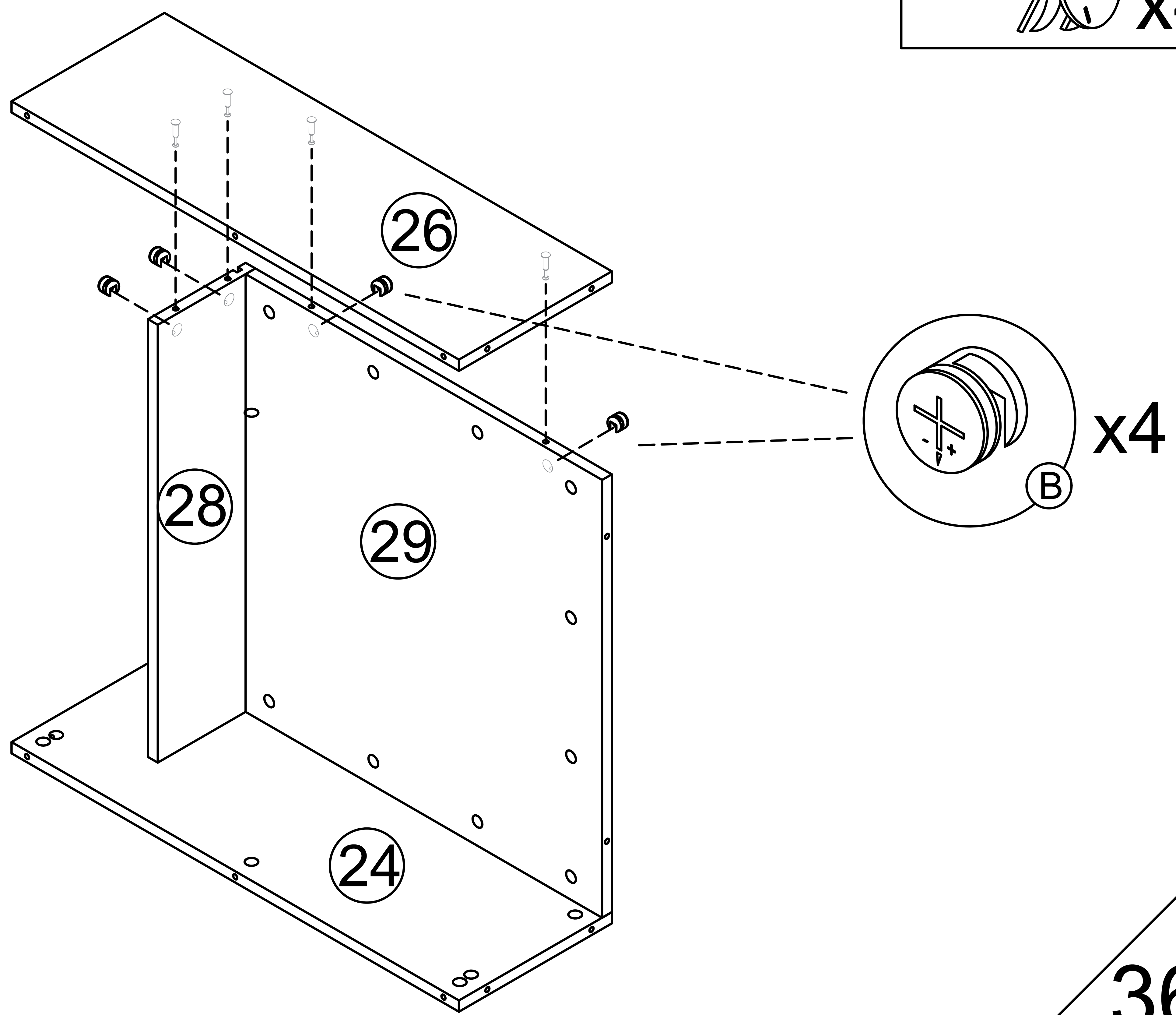
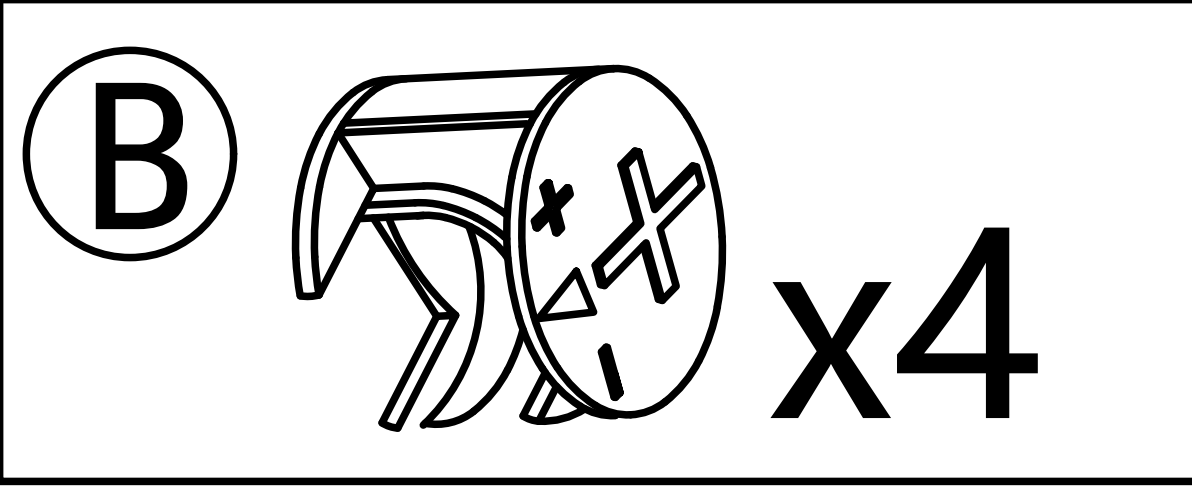
B  x4



Step 53



Step 54

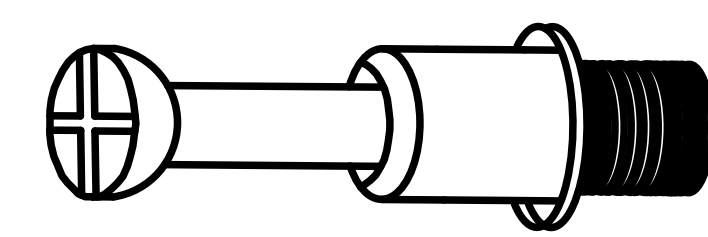


SY

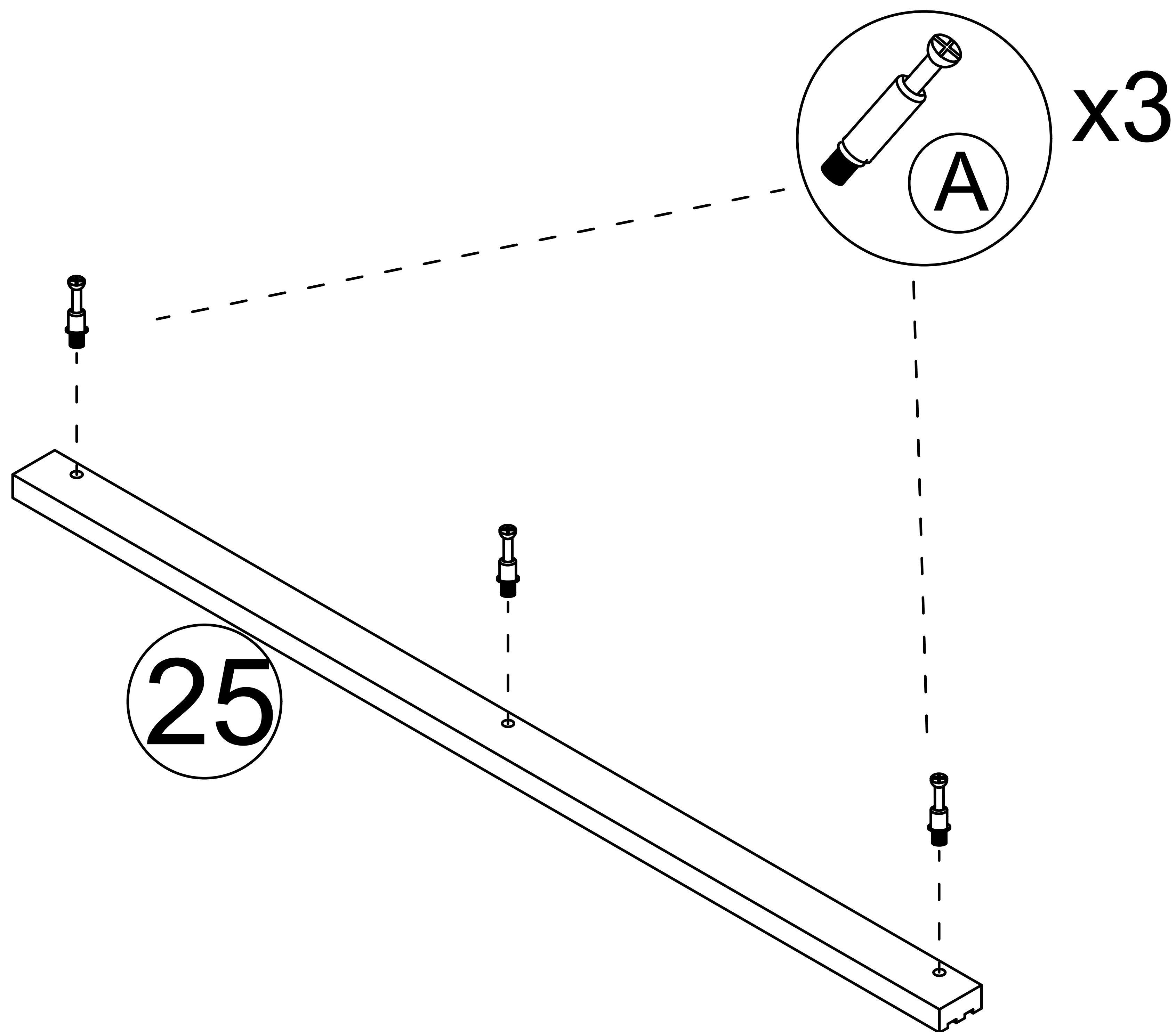
Step 55

x2

A

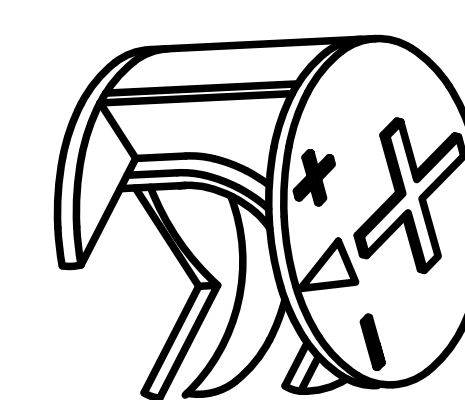


x3



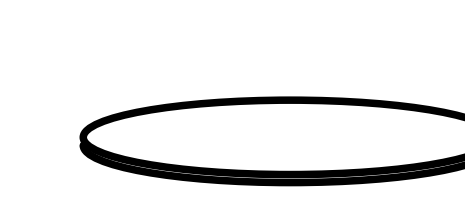
Step 56

B

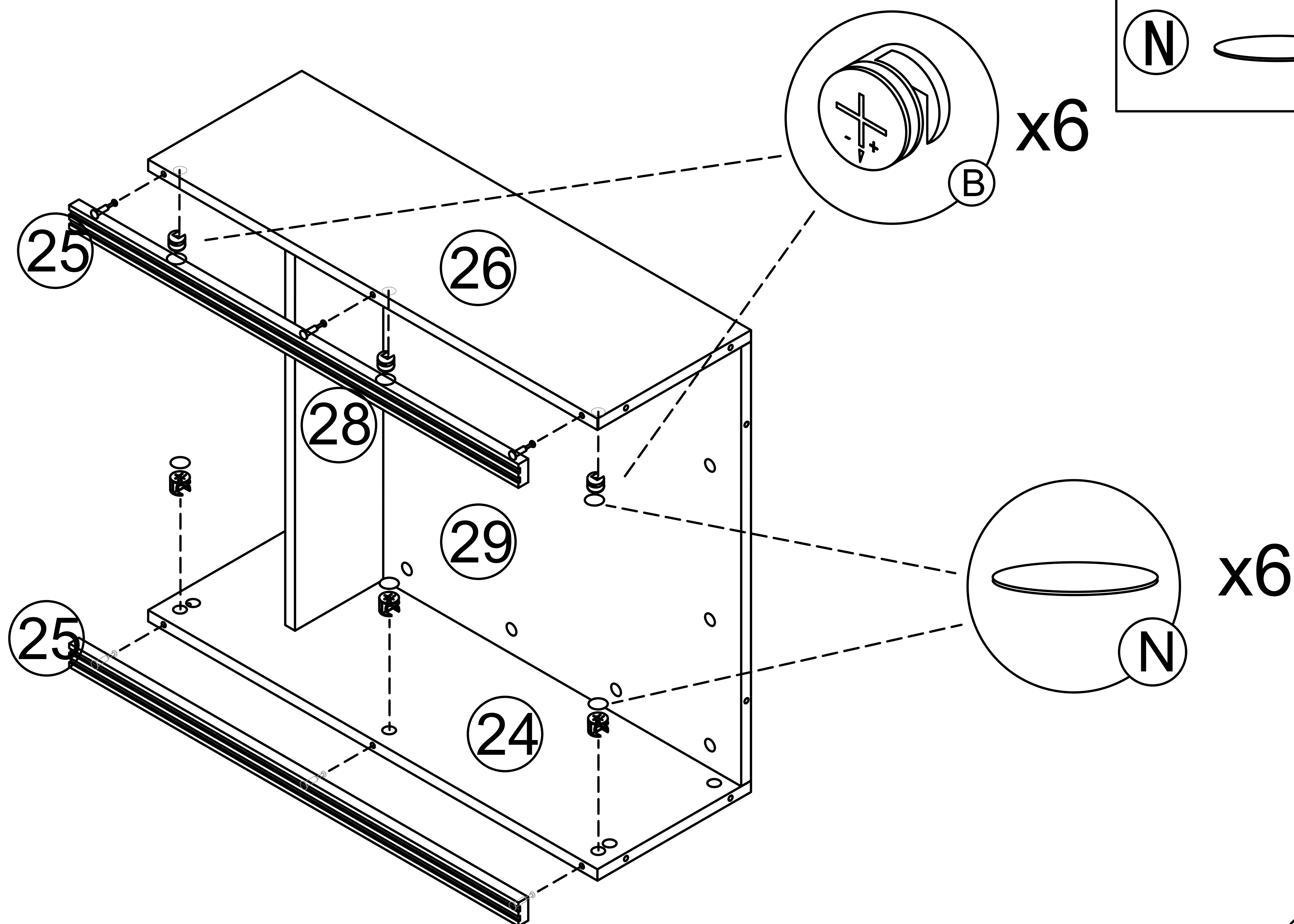


x6

N



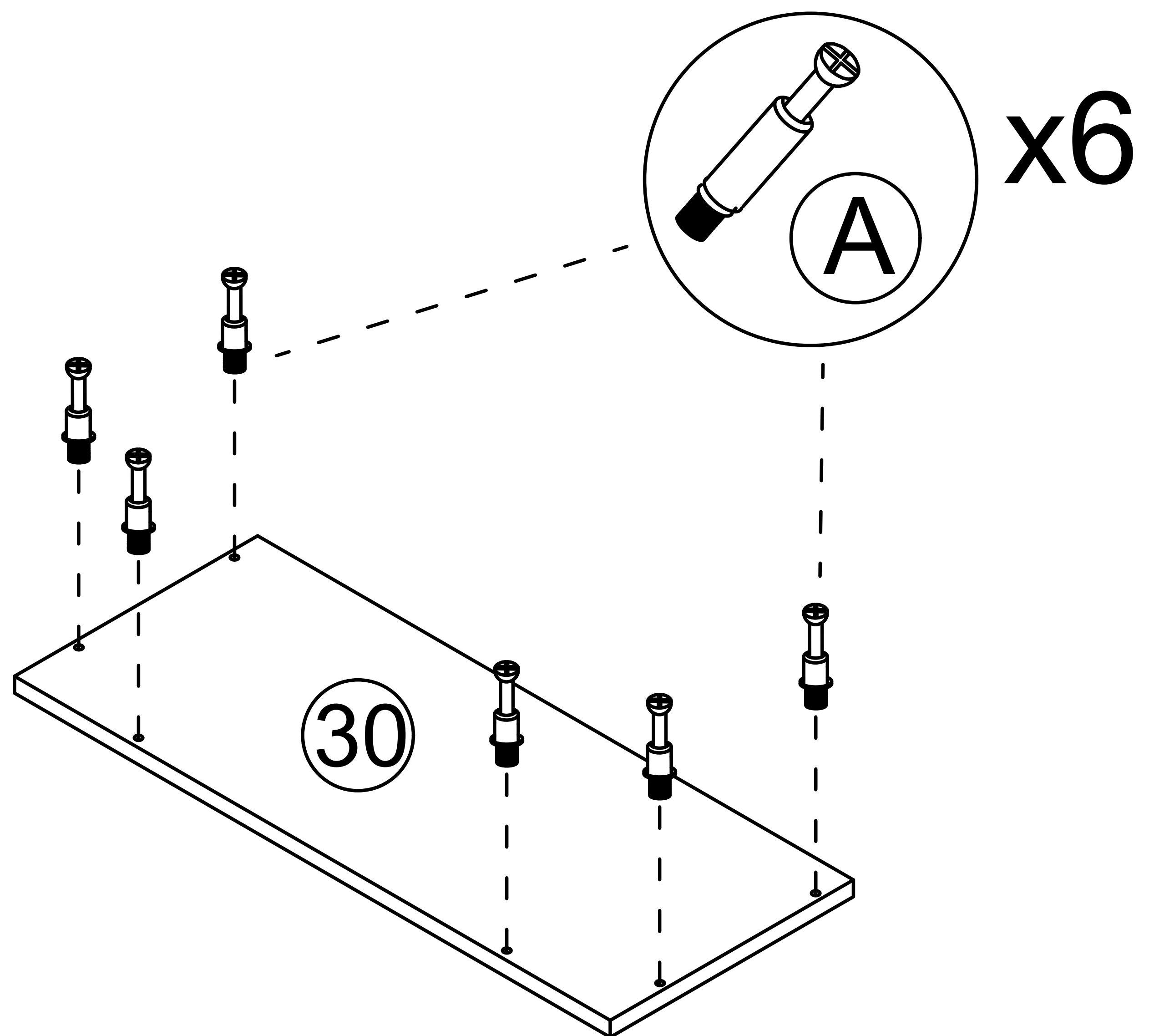
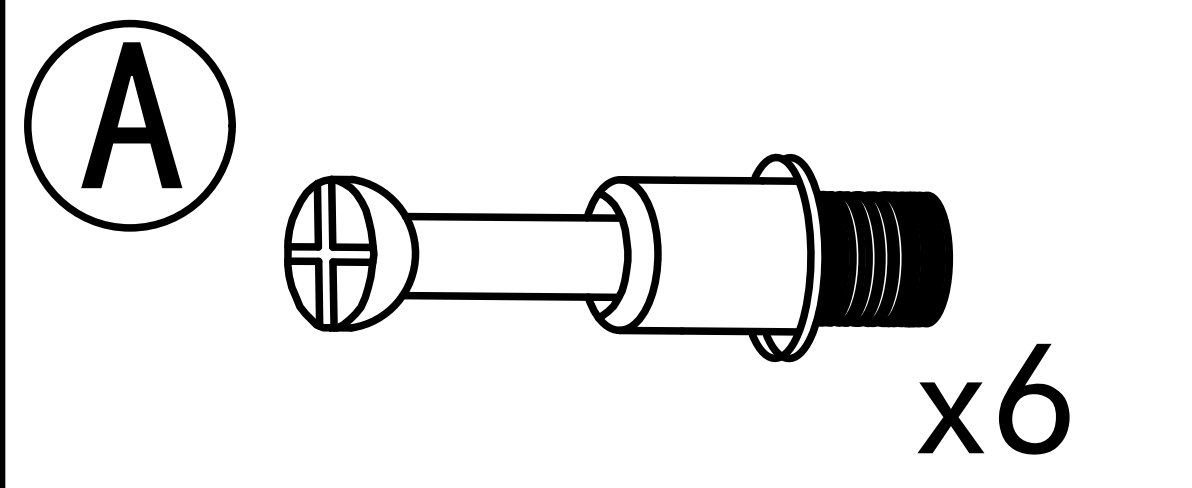
x6



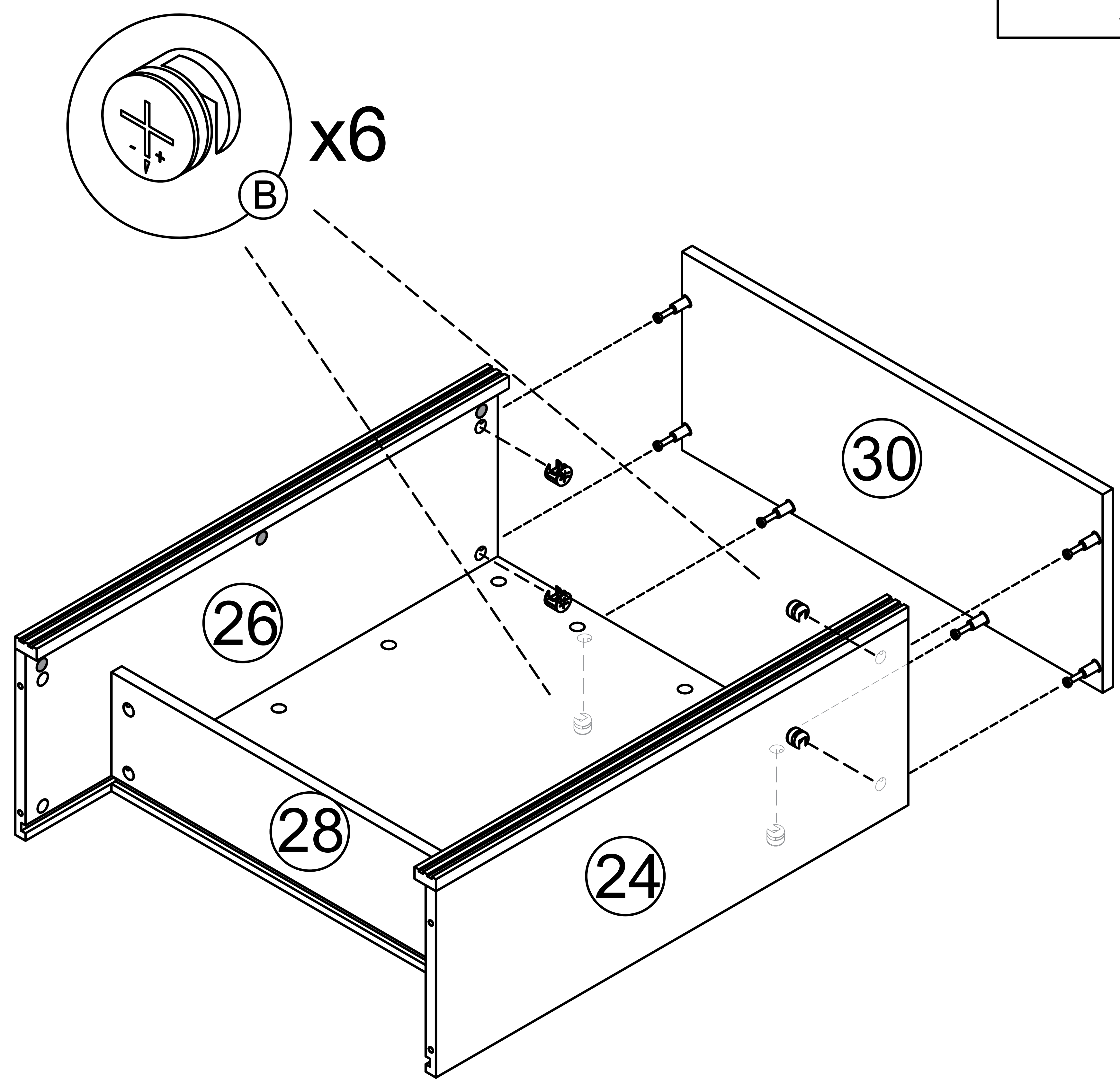
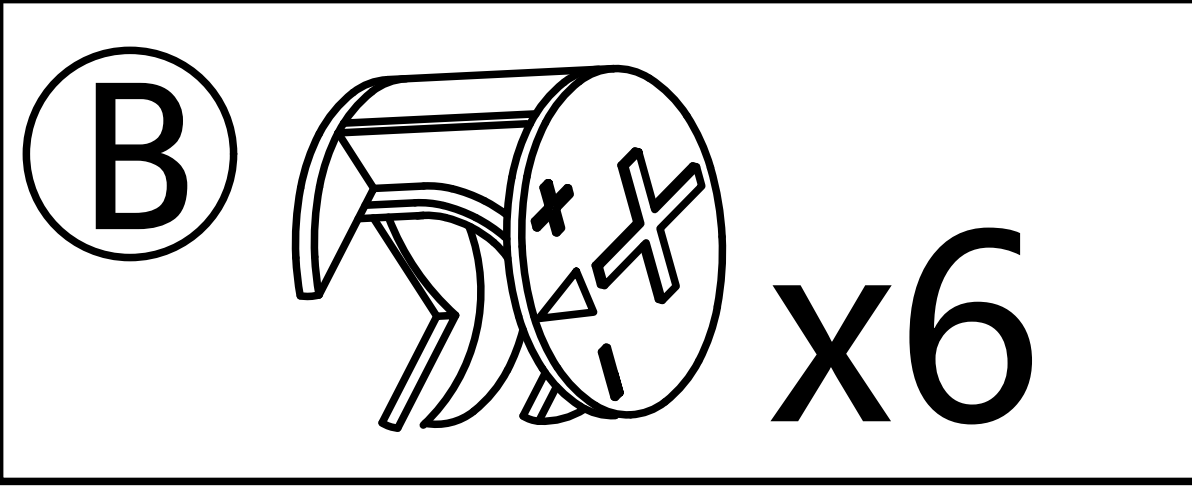
37

SY

Step 57



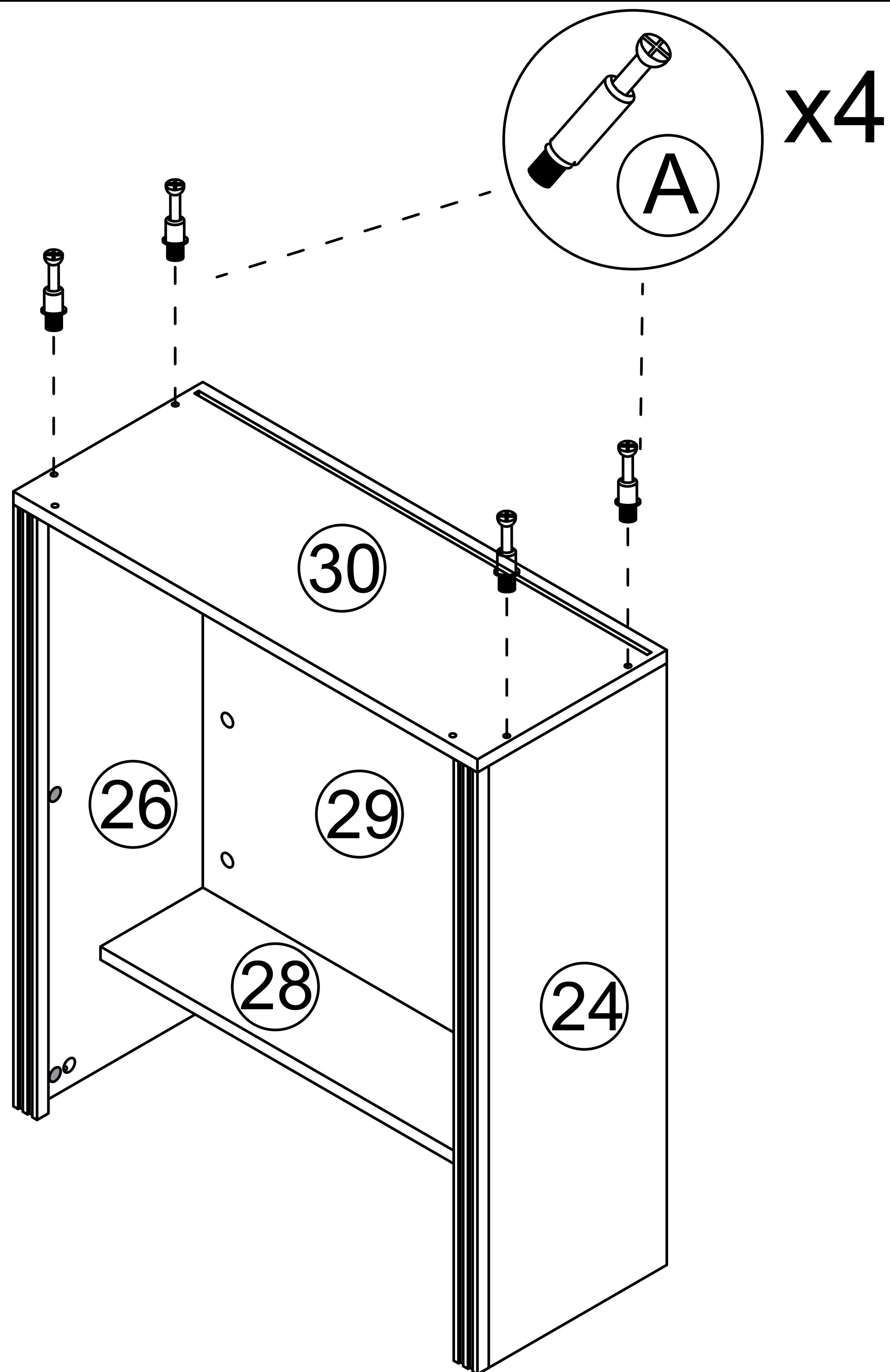
Step 58



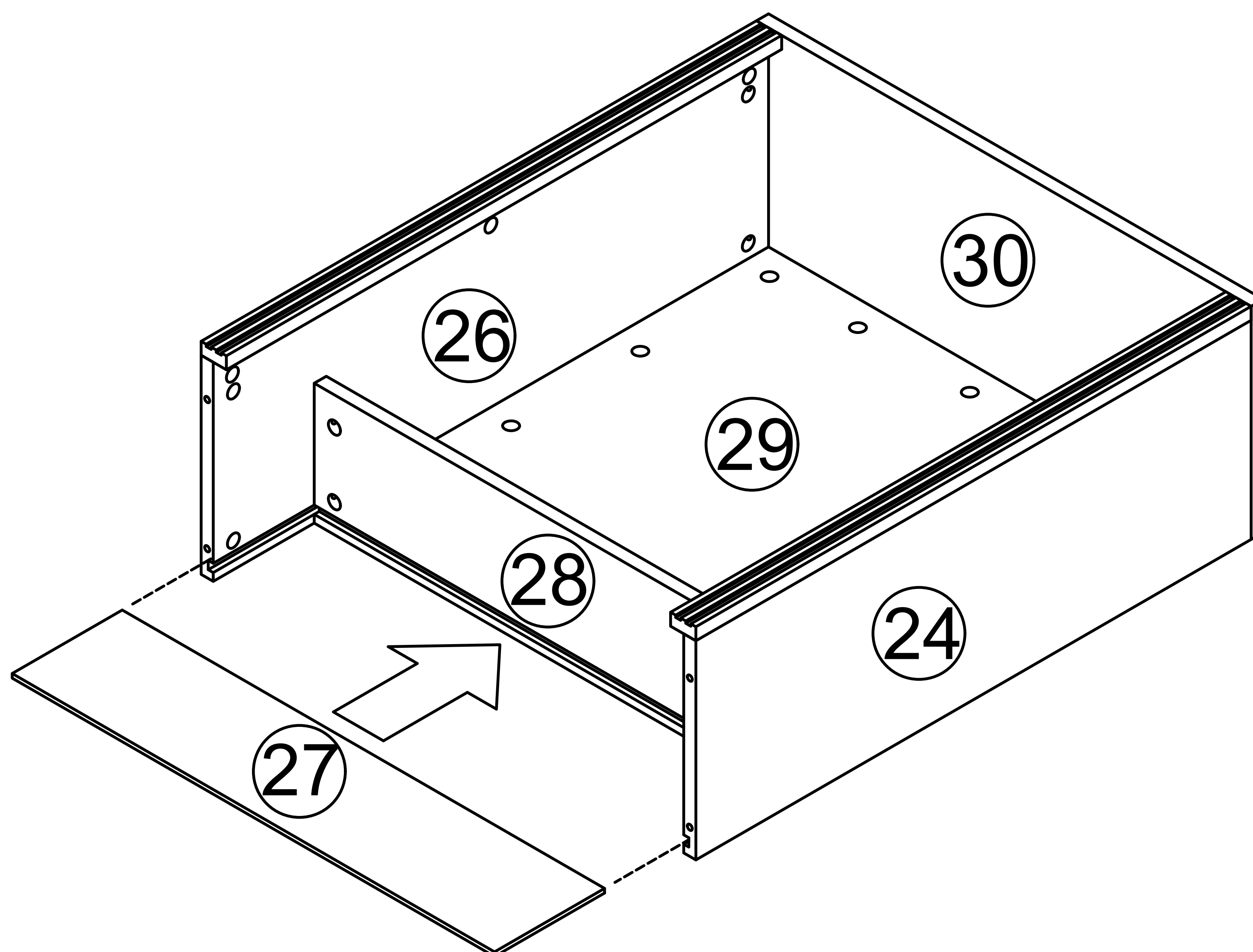
38

SY

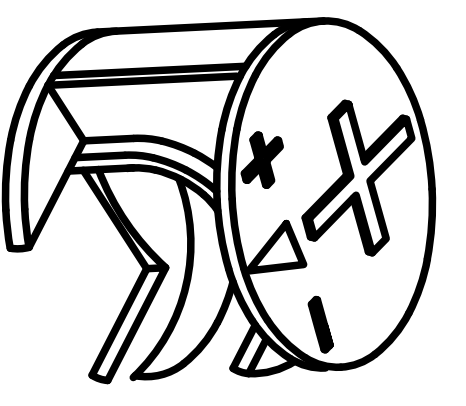
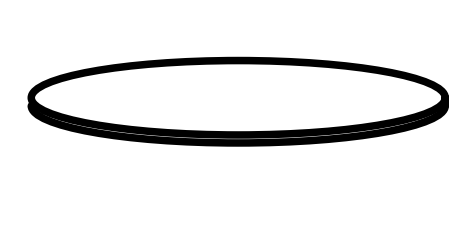
Step 59

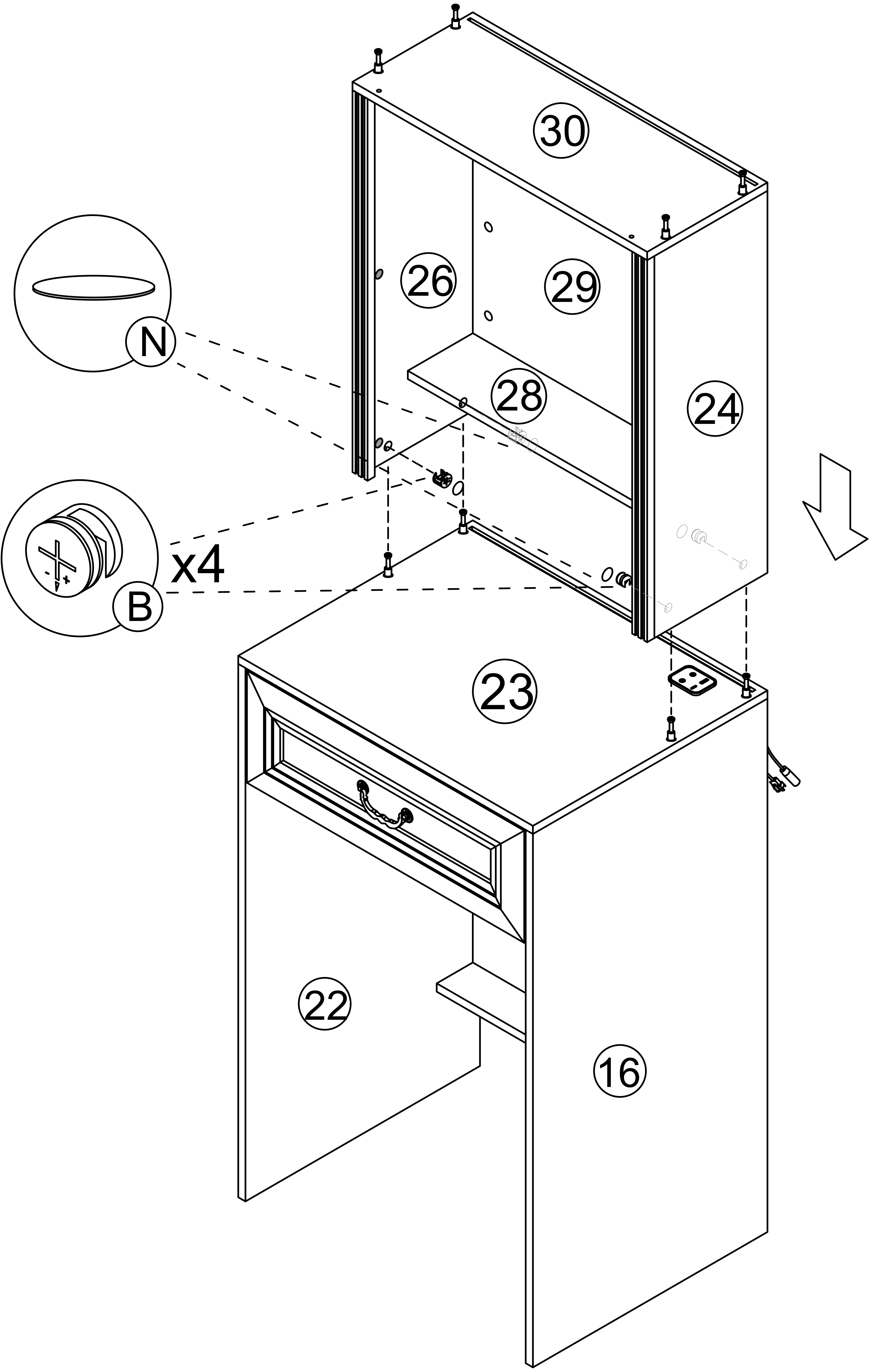


Step 60



Step 61

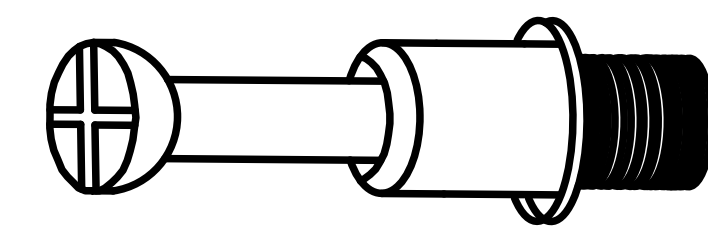
- (B)  x4
- (N)  x4



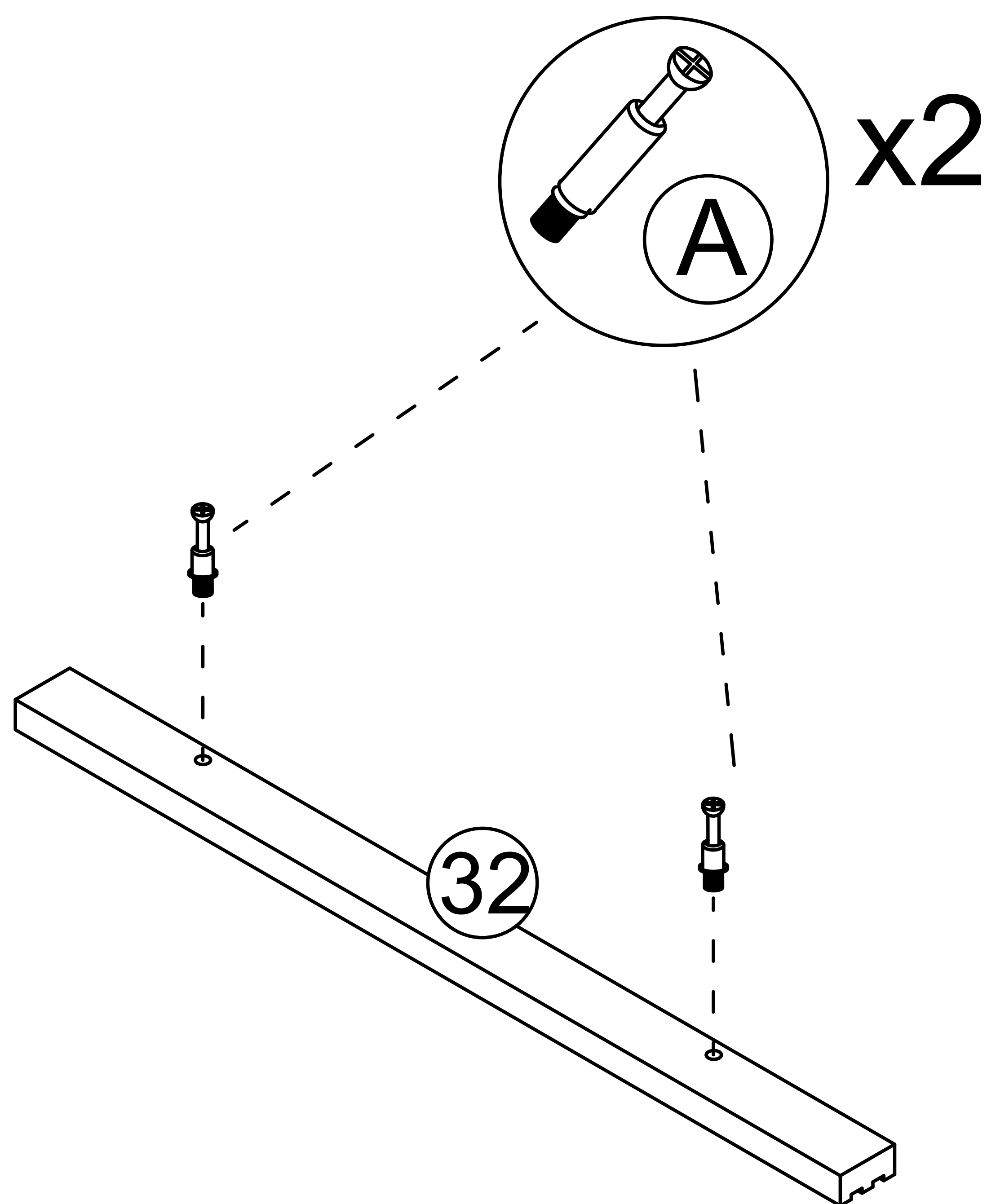
Step 62

x2

A



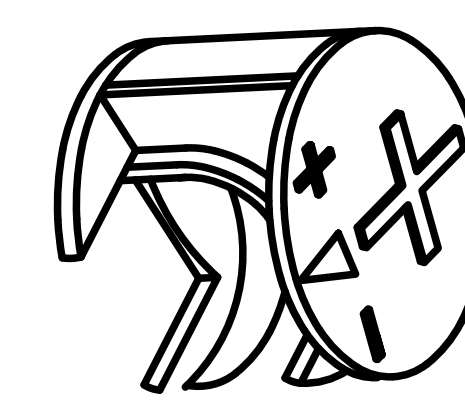
x2



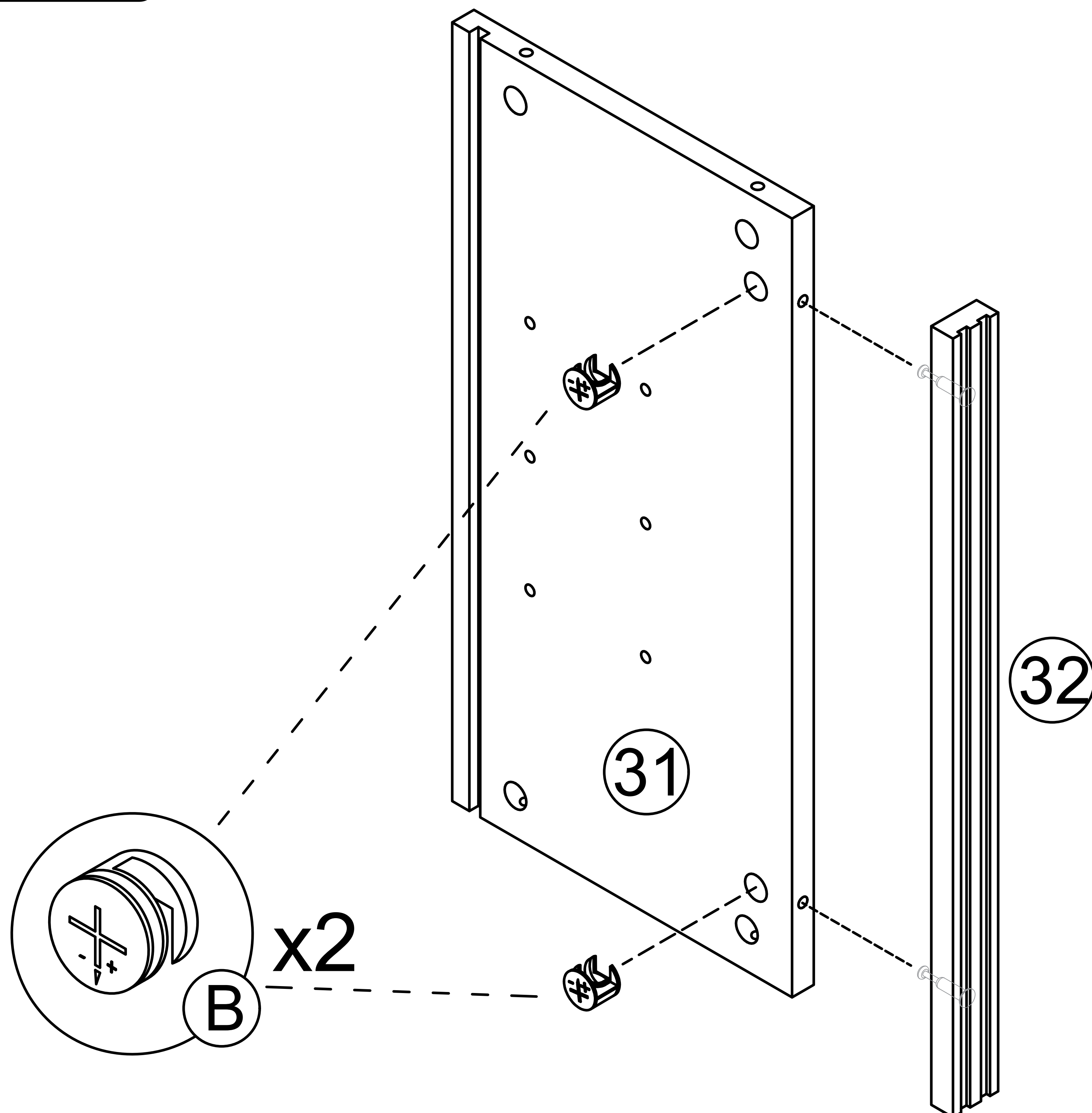
Step 63

x2

B



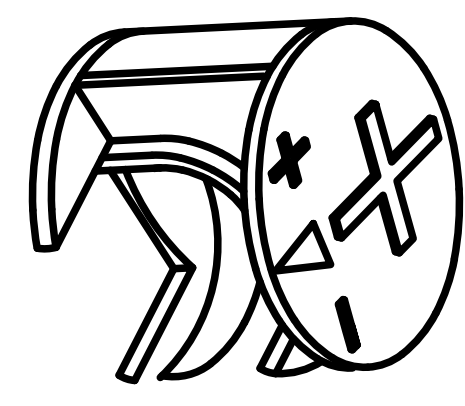
x2

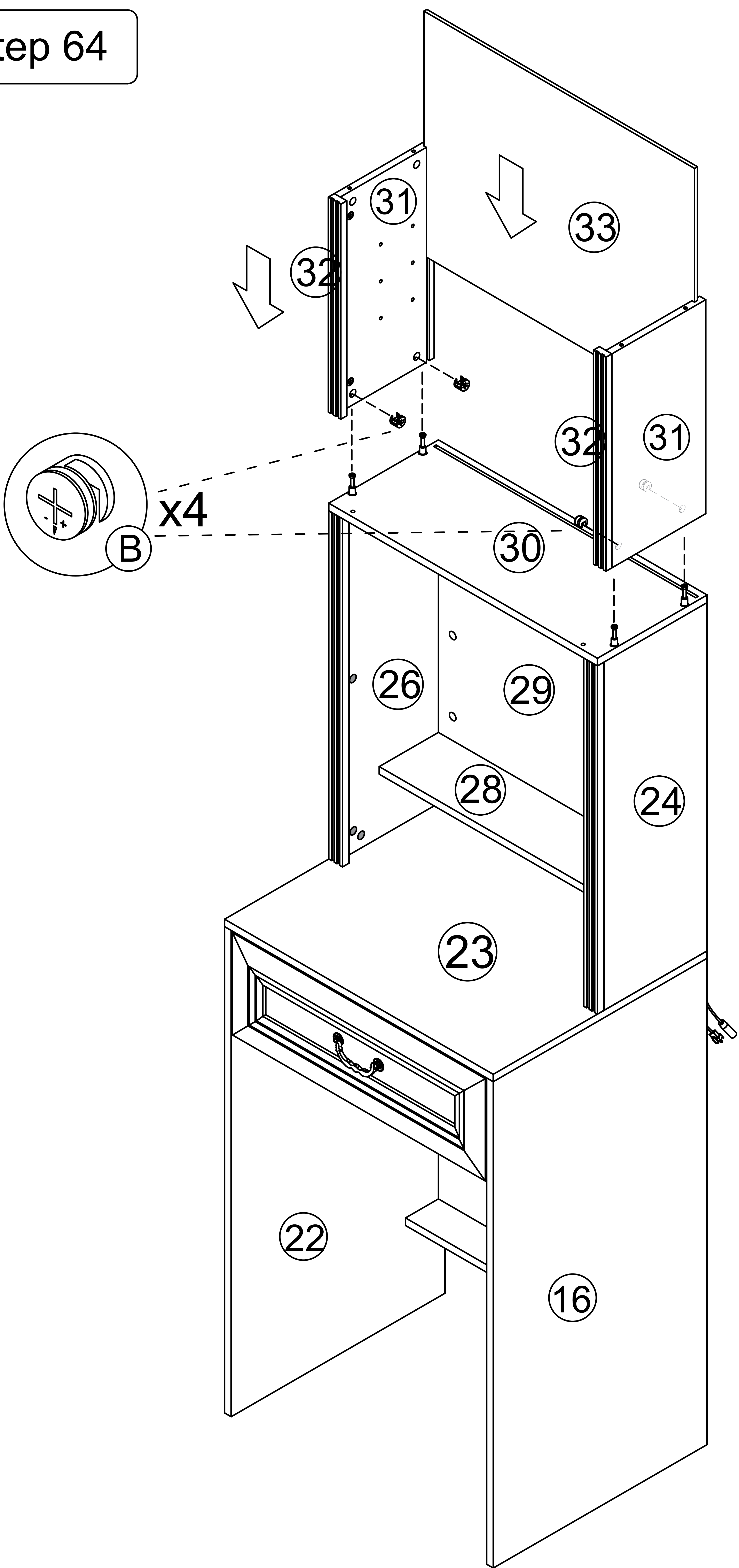


41

SY

Step 64

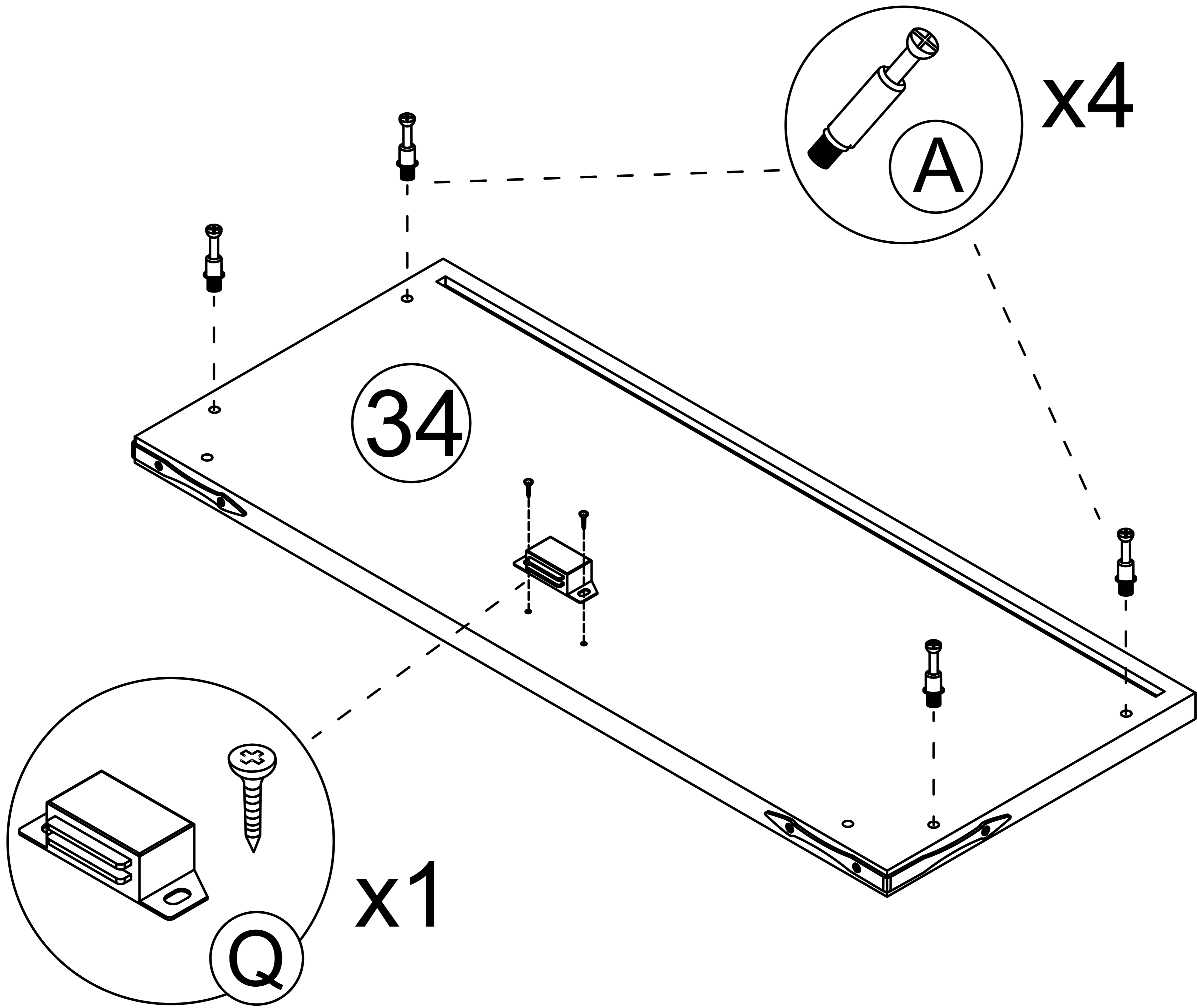
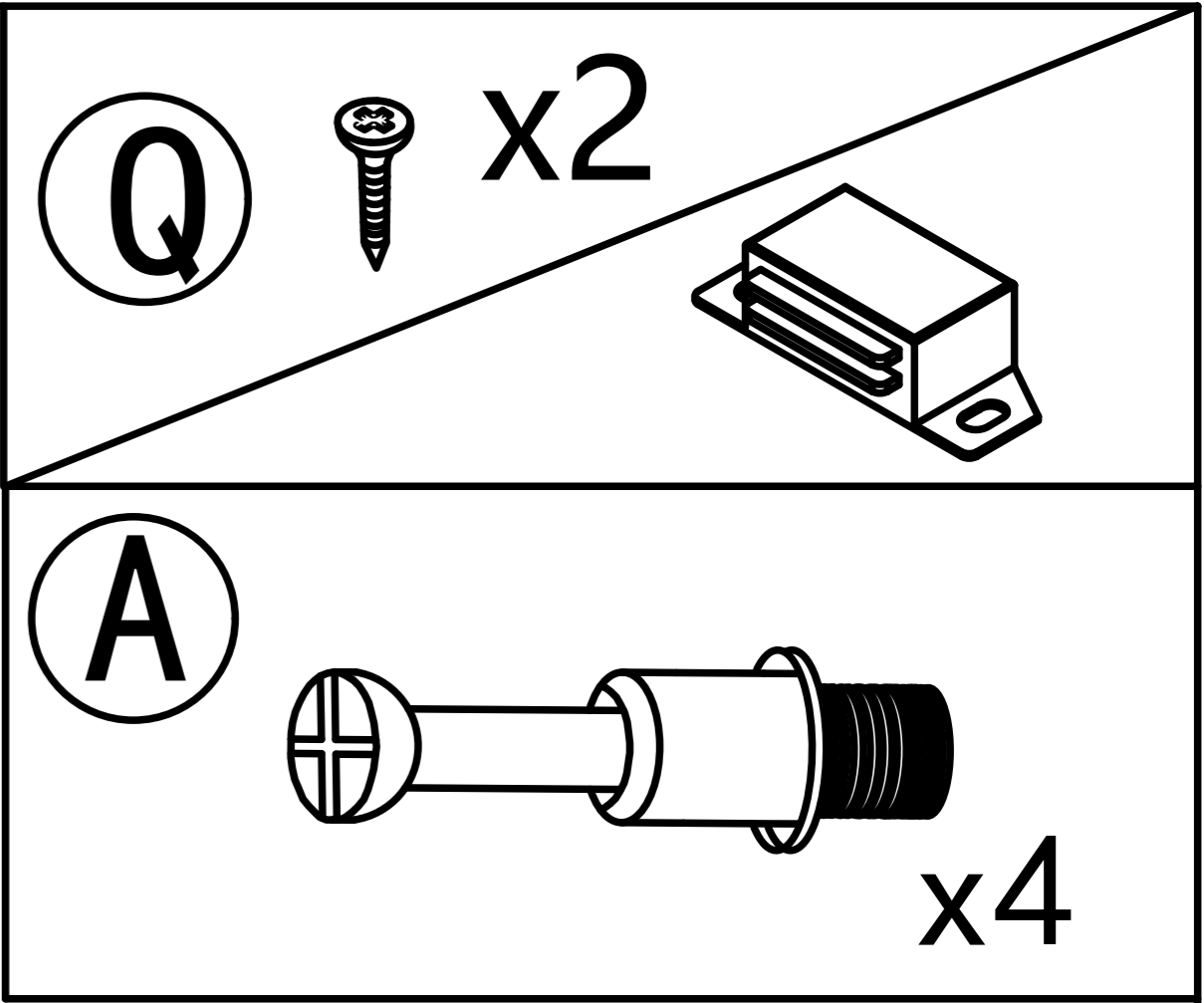
(B)  x4



Step 65

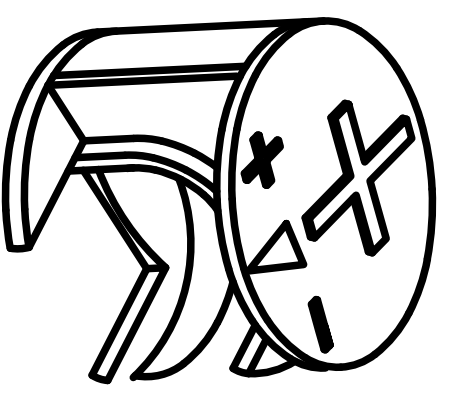
Q x2

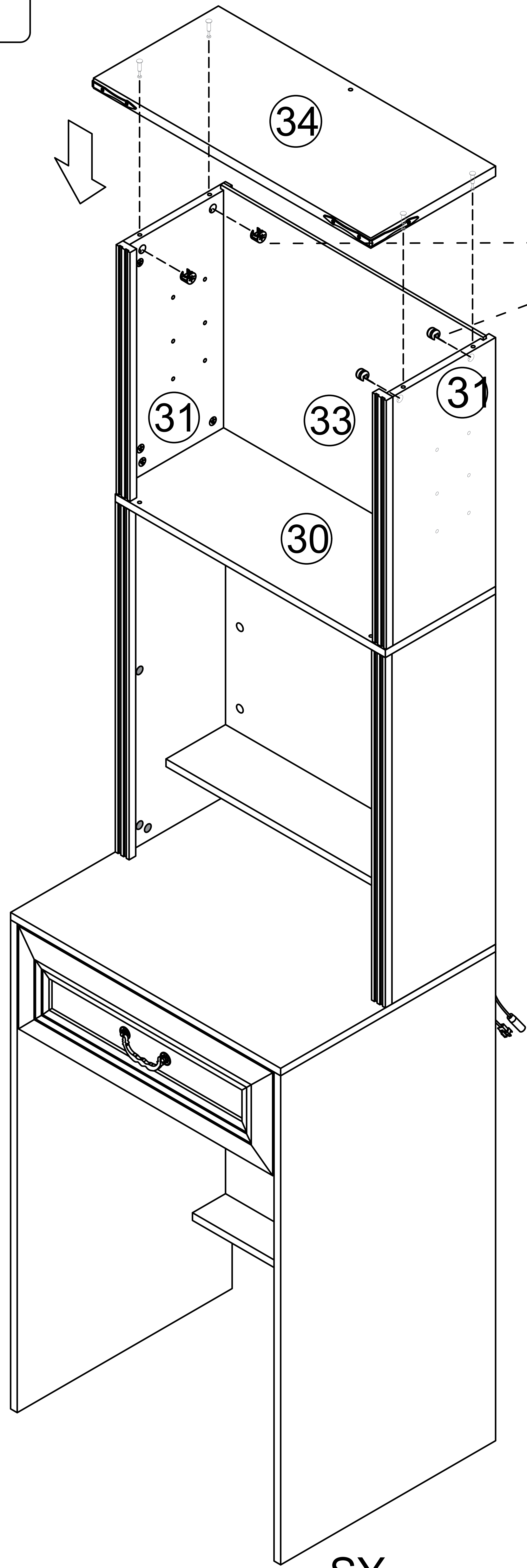
A x4

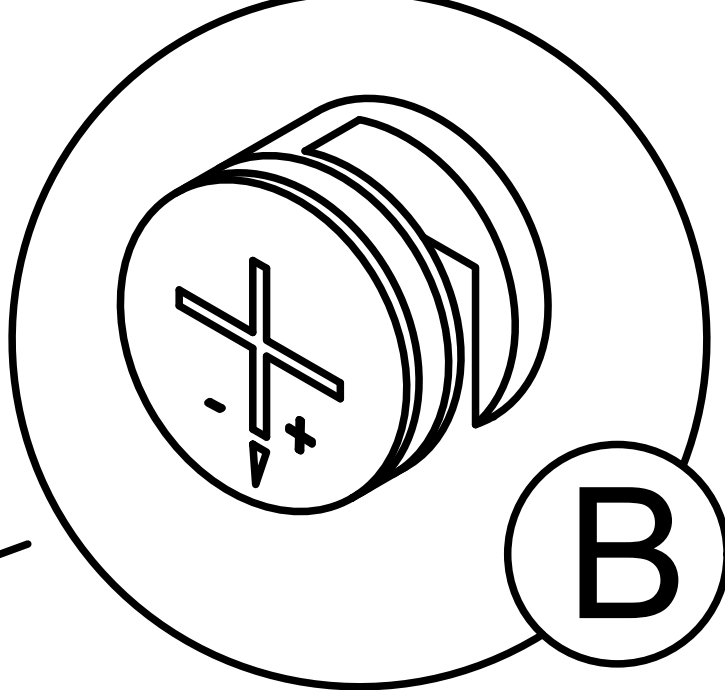


43

Step 66

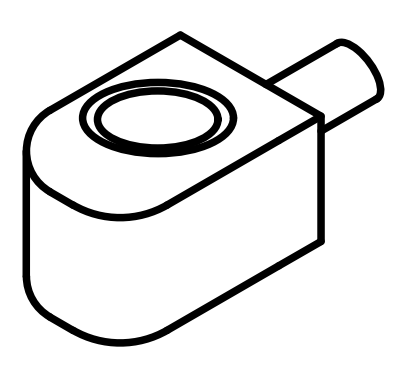
B  x4

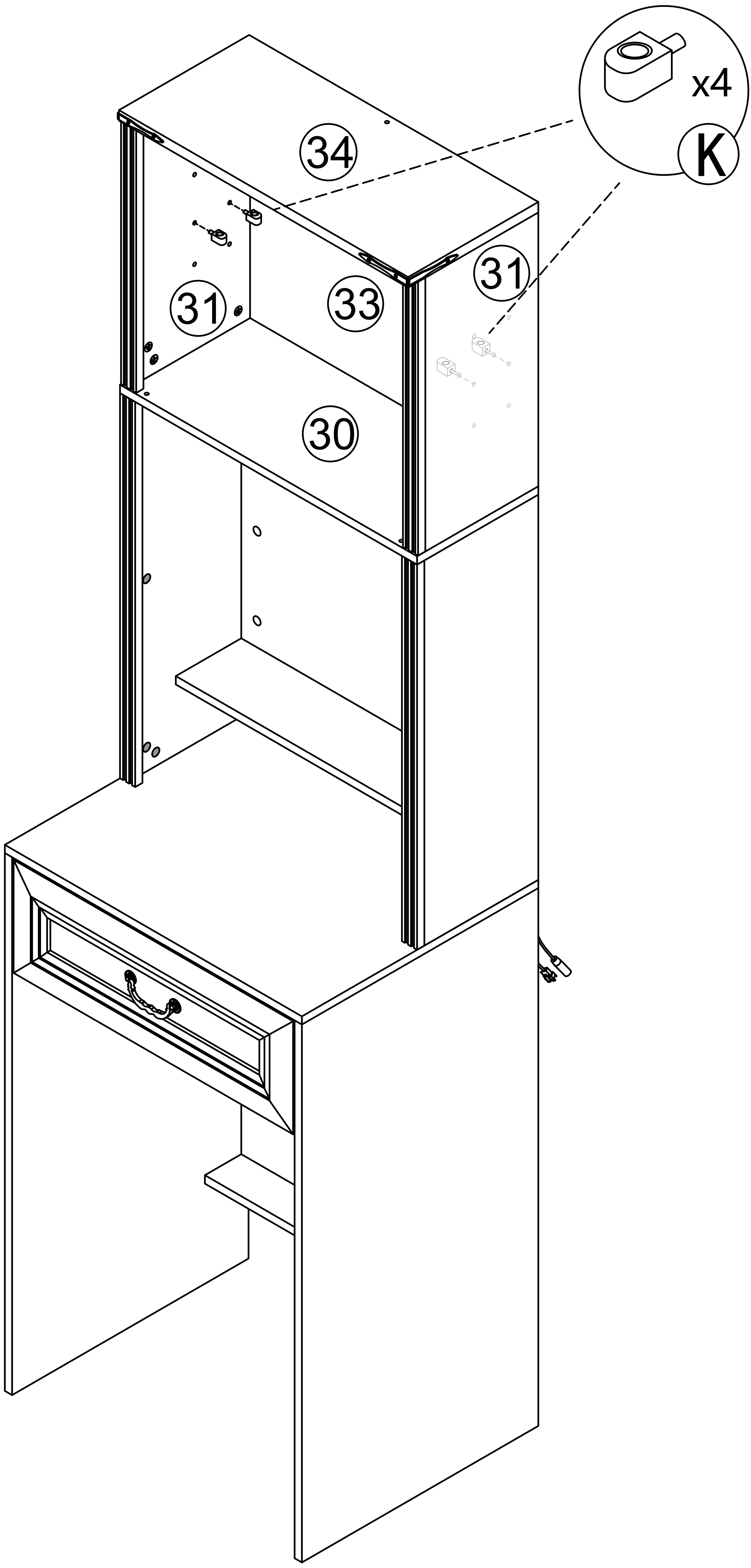


B  x4

SY

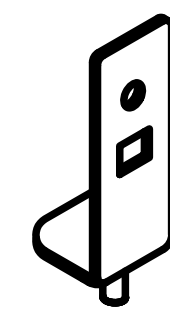
Step 67

(K)  x4

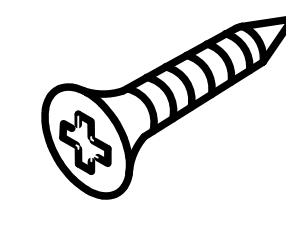


Step 68

P

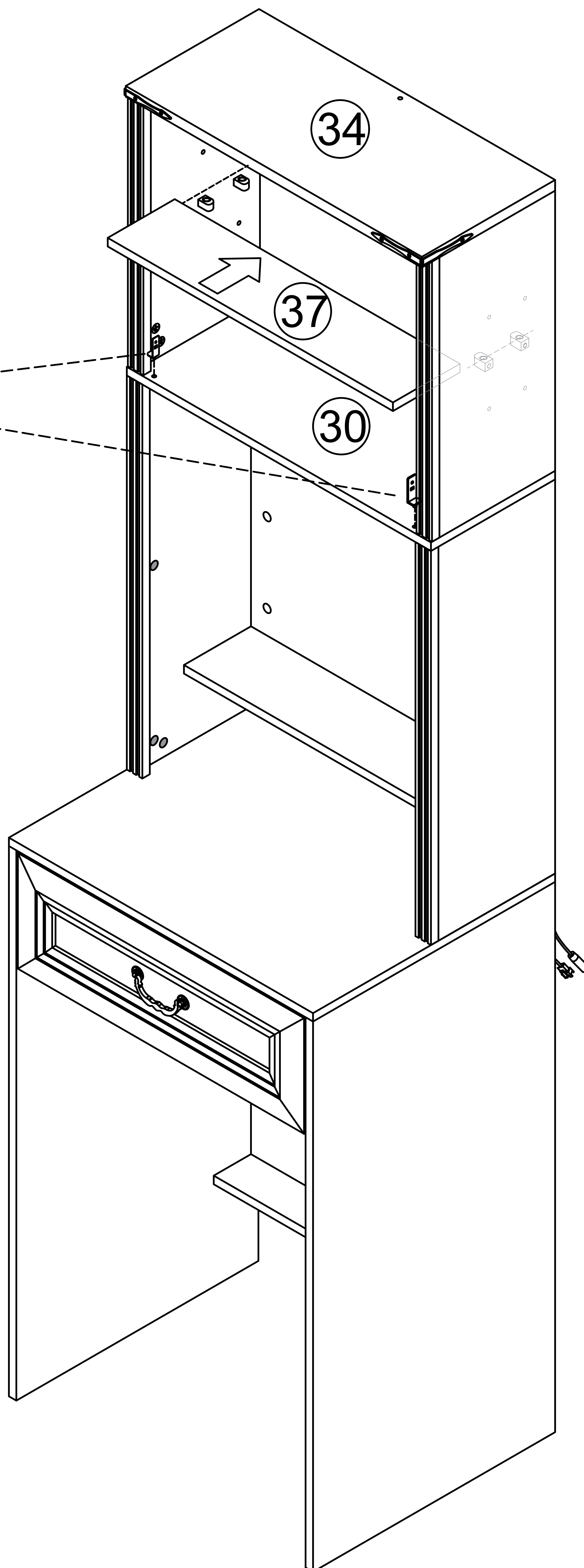
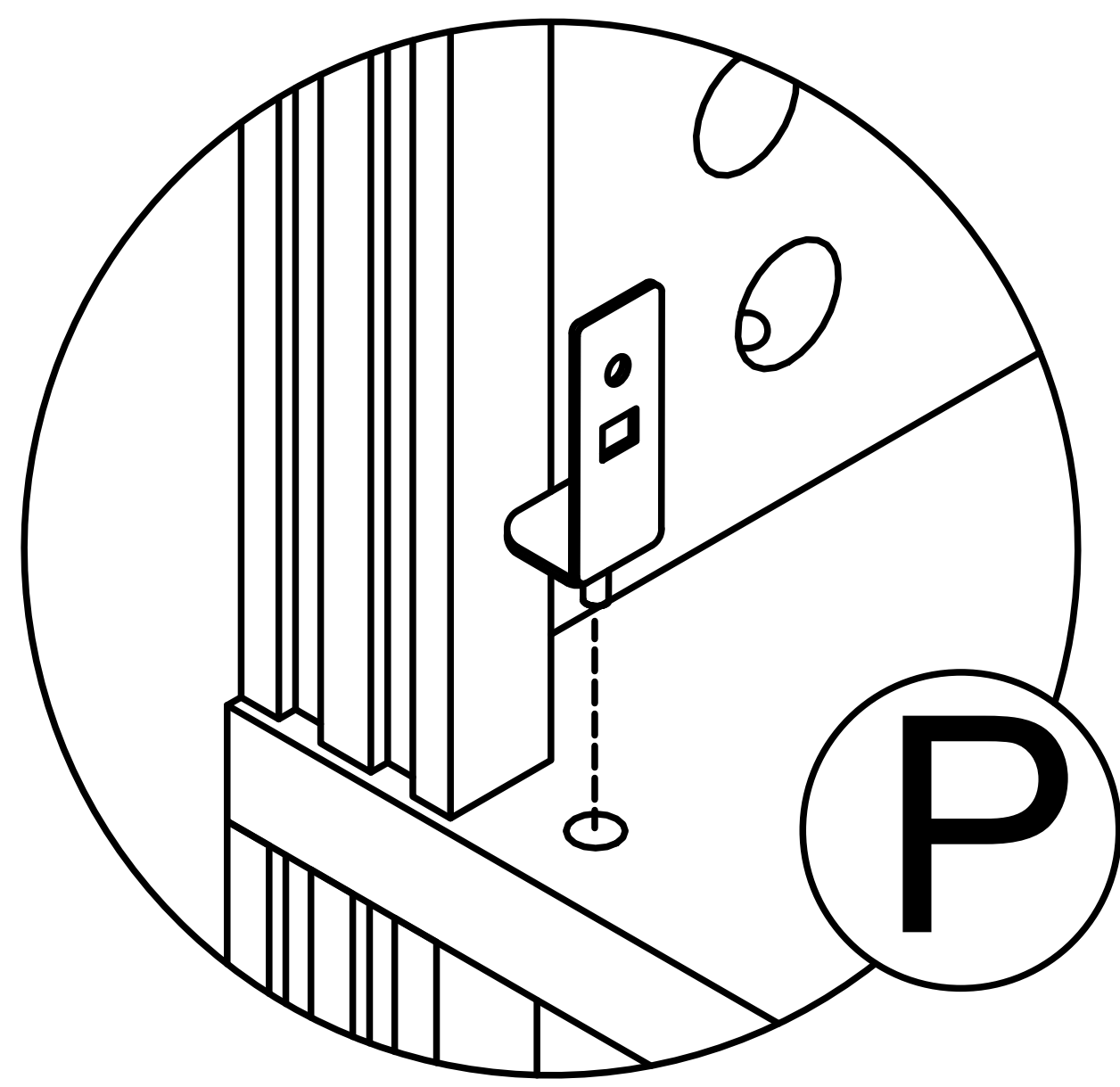


1pcs

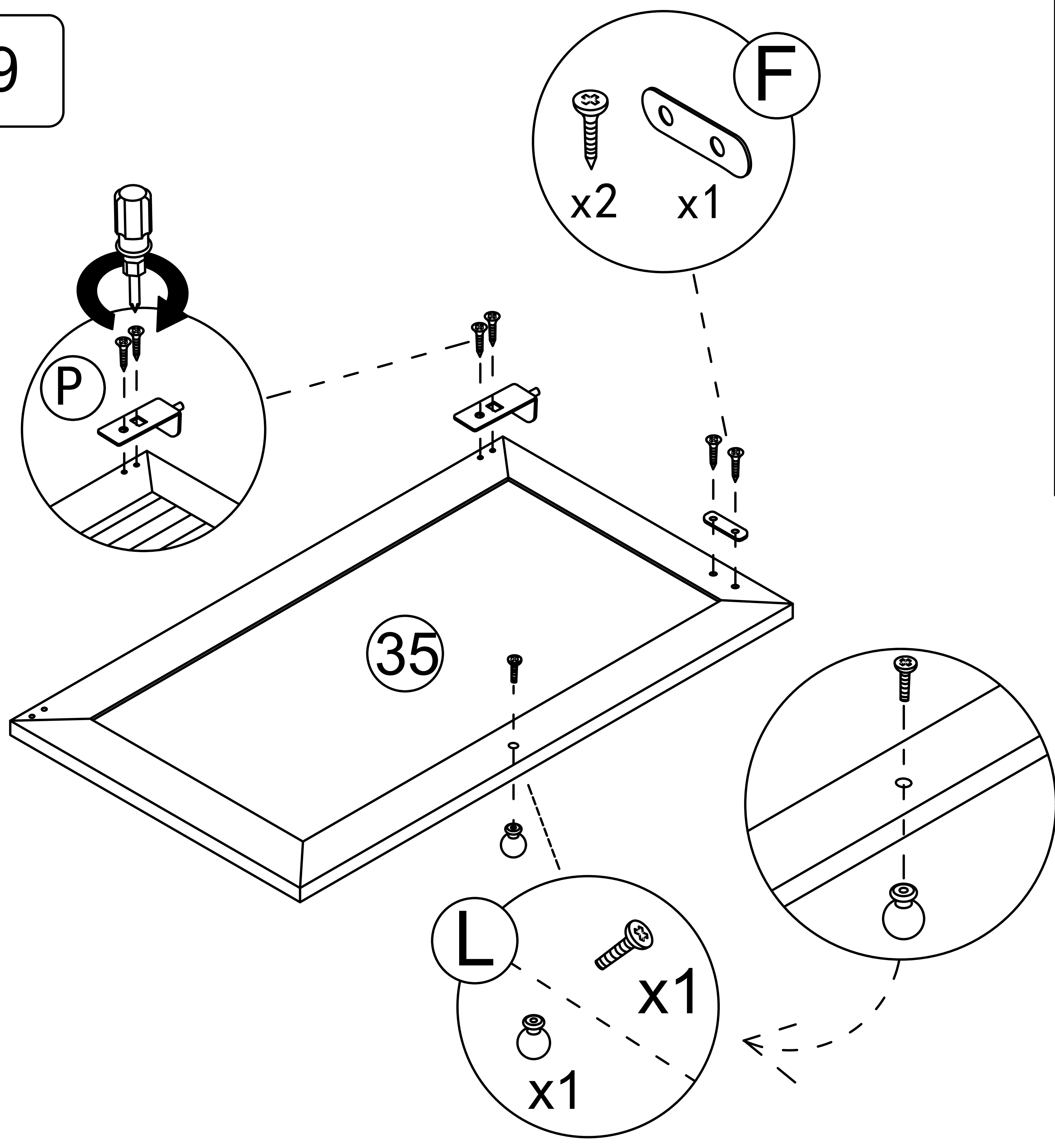


2pcs

x2

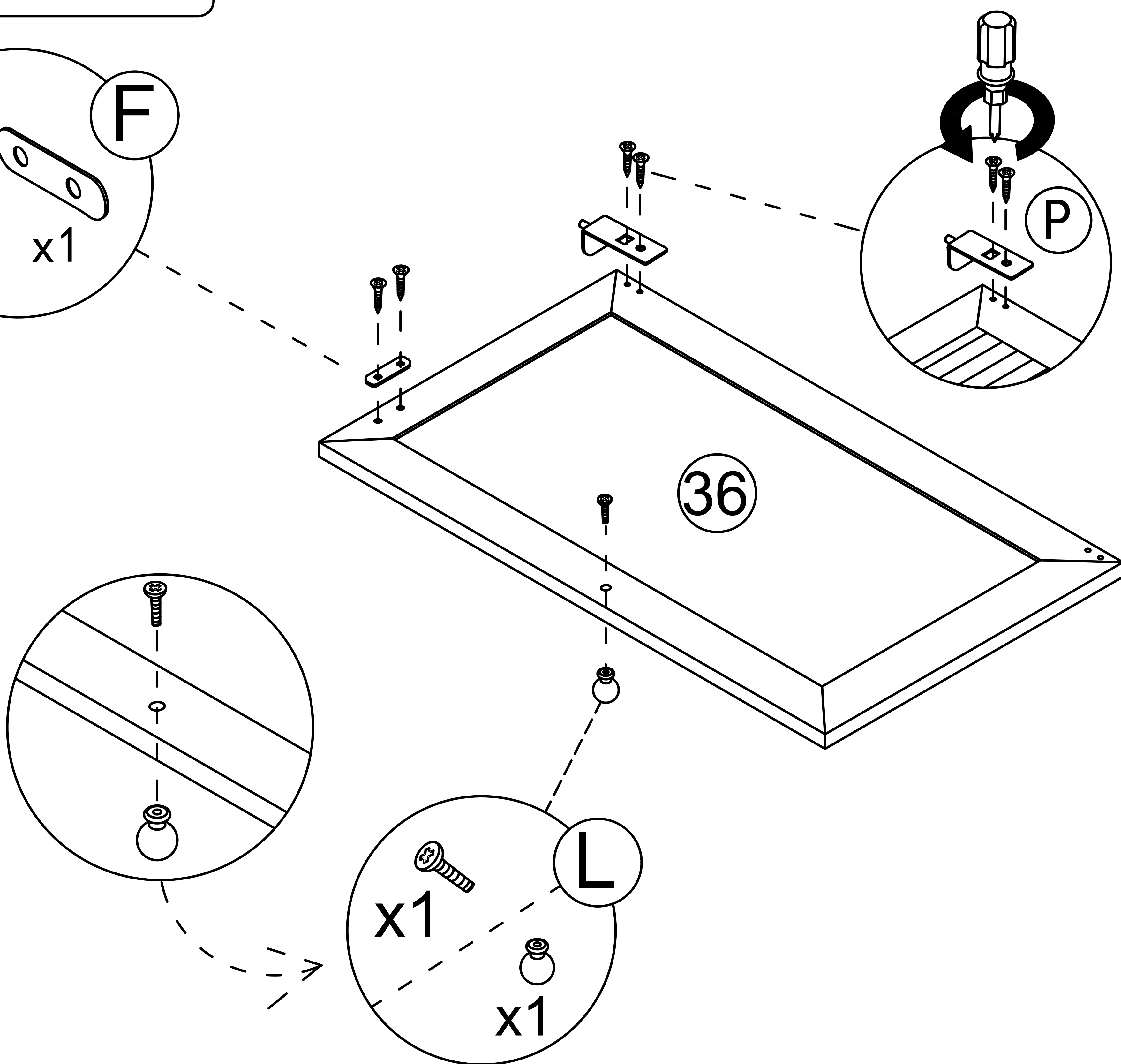


Step 69



- | | | | | | |
|----------|--|--|------|------|-----------|
| P | | | 1pcs | 2pcs | x1 |
| L | | | x1 | x1 | |
| F | | | x1 | x2 | |

Step 70

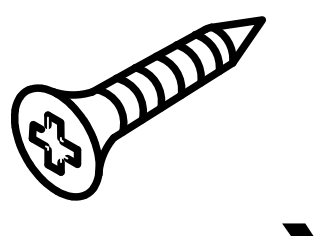


- | | | | | | |
|----------|--|--|------|------|-----------|
| P | | | 1pcs | 2pcs | x1 |
| L | | | x1 | x1 | |
| F | | | x1 | x2 | |

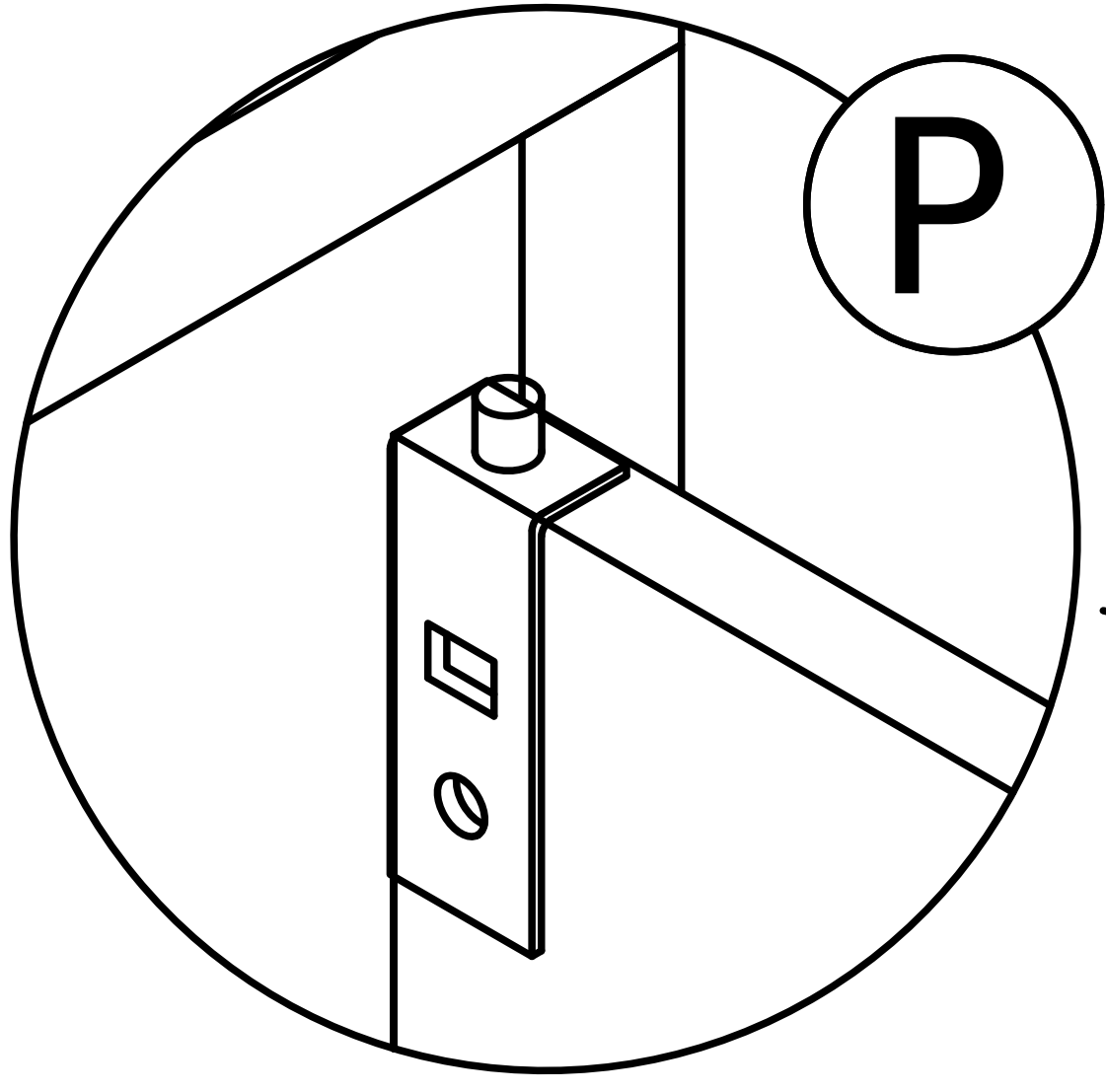
47

Step 71

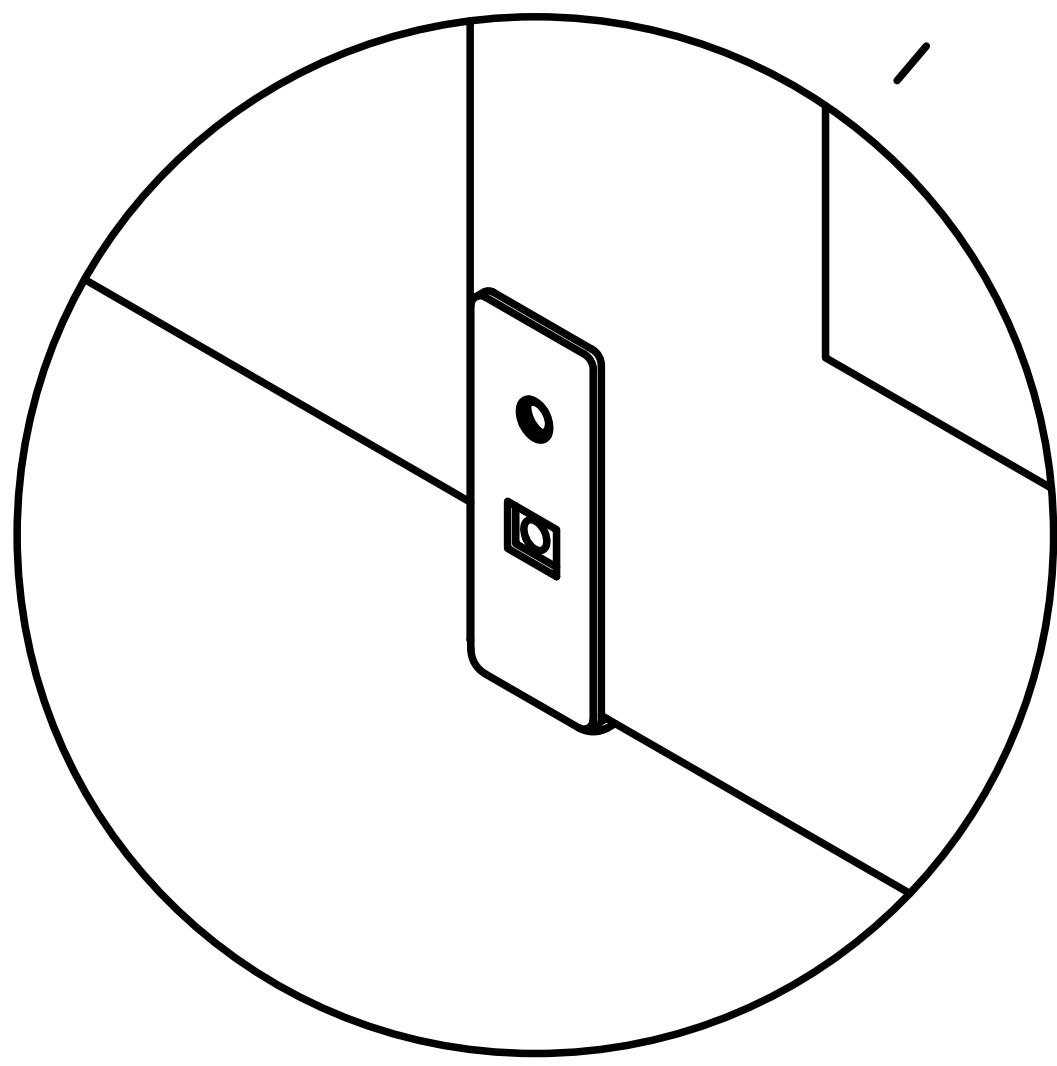
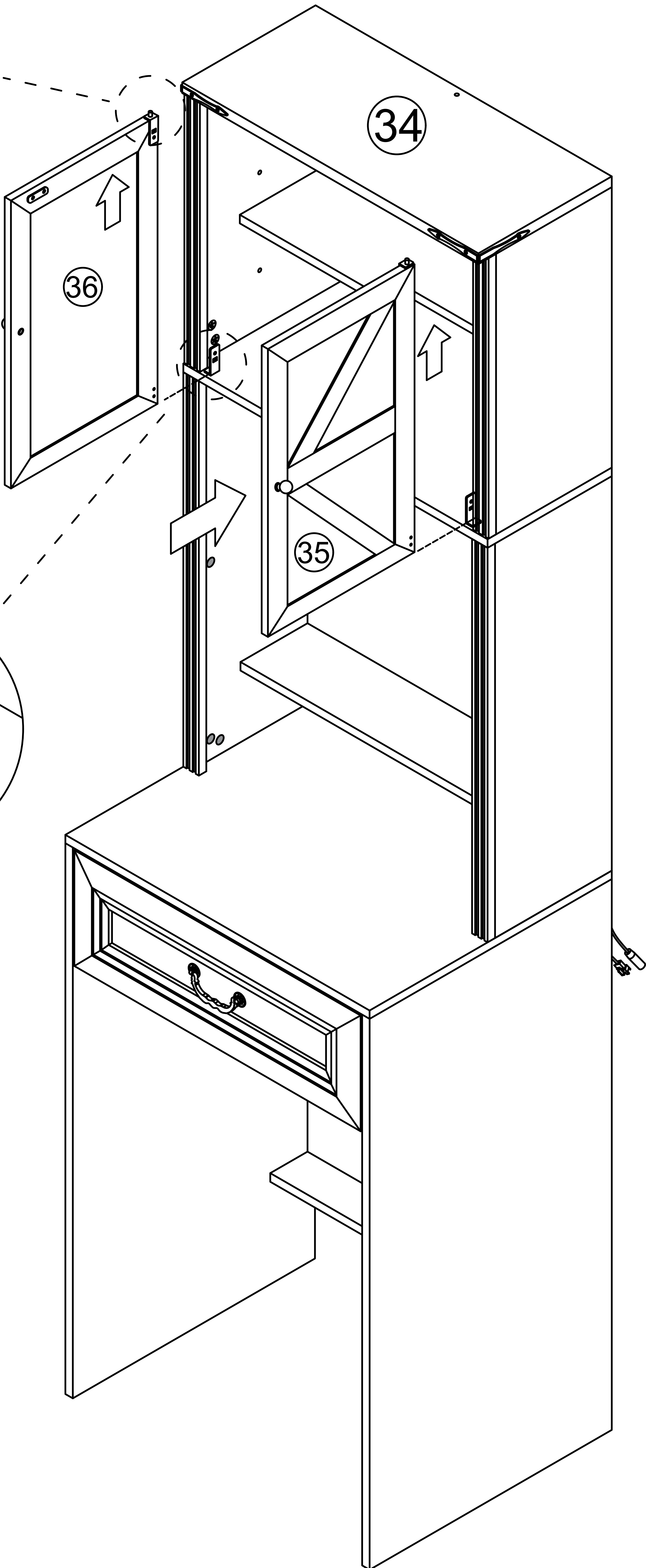
P



2pcs x2



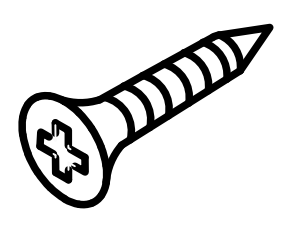
First



Second

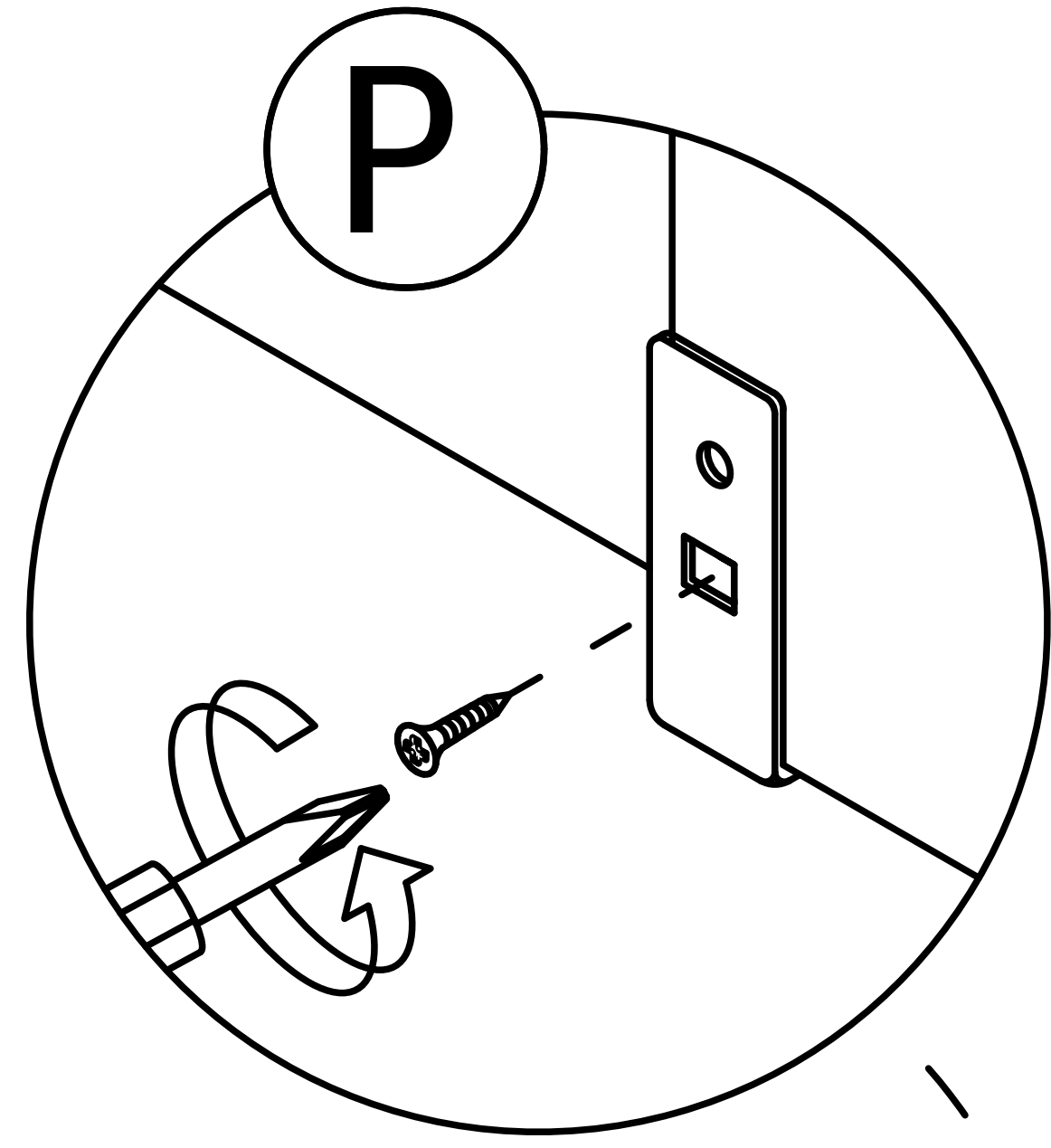
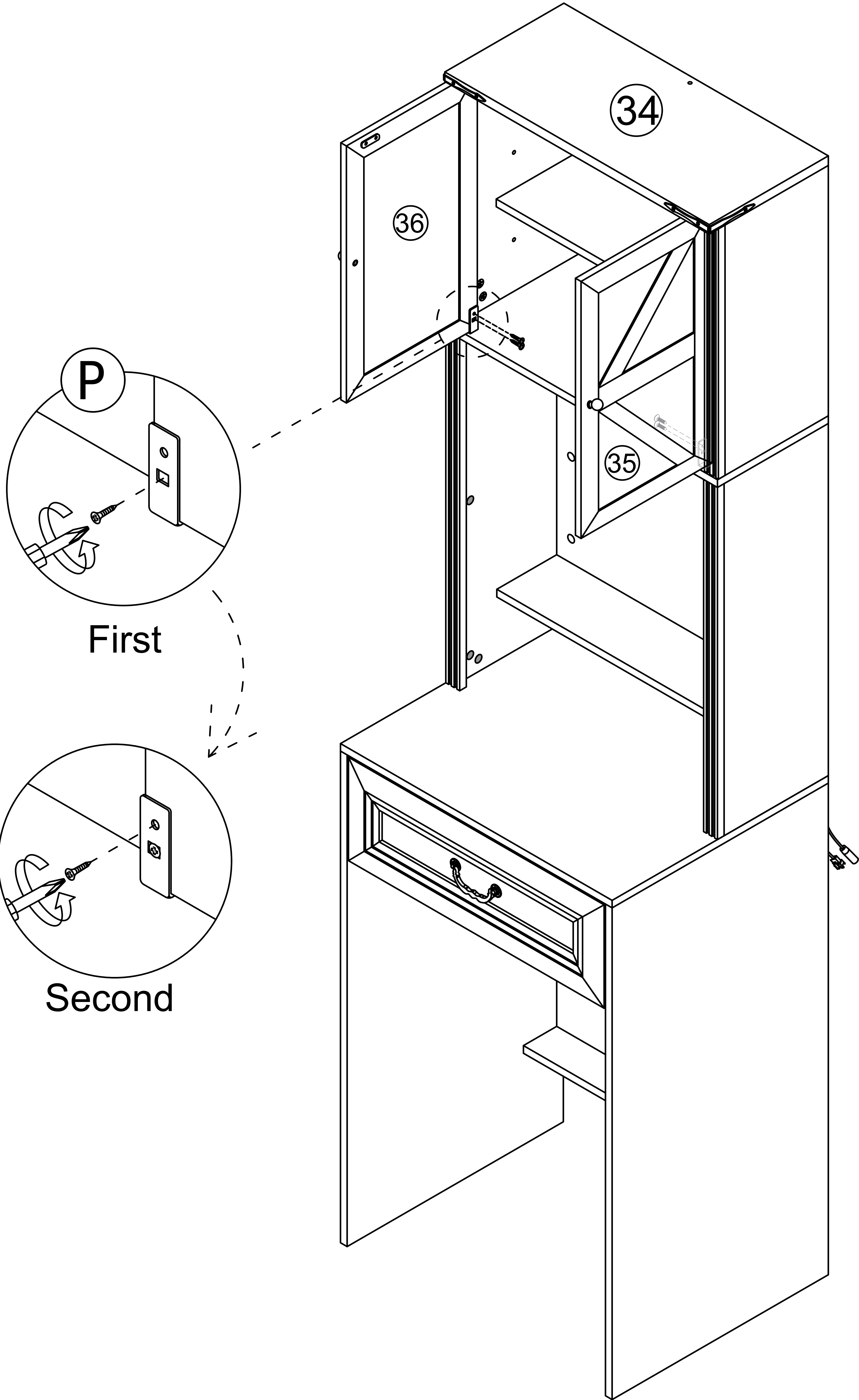
Step 72

P

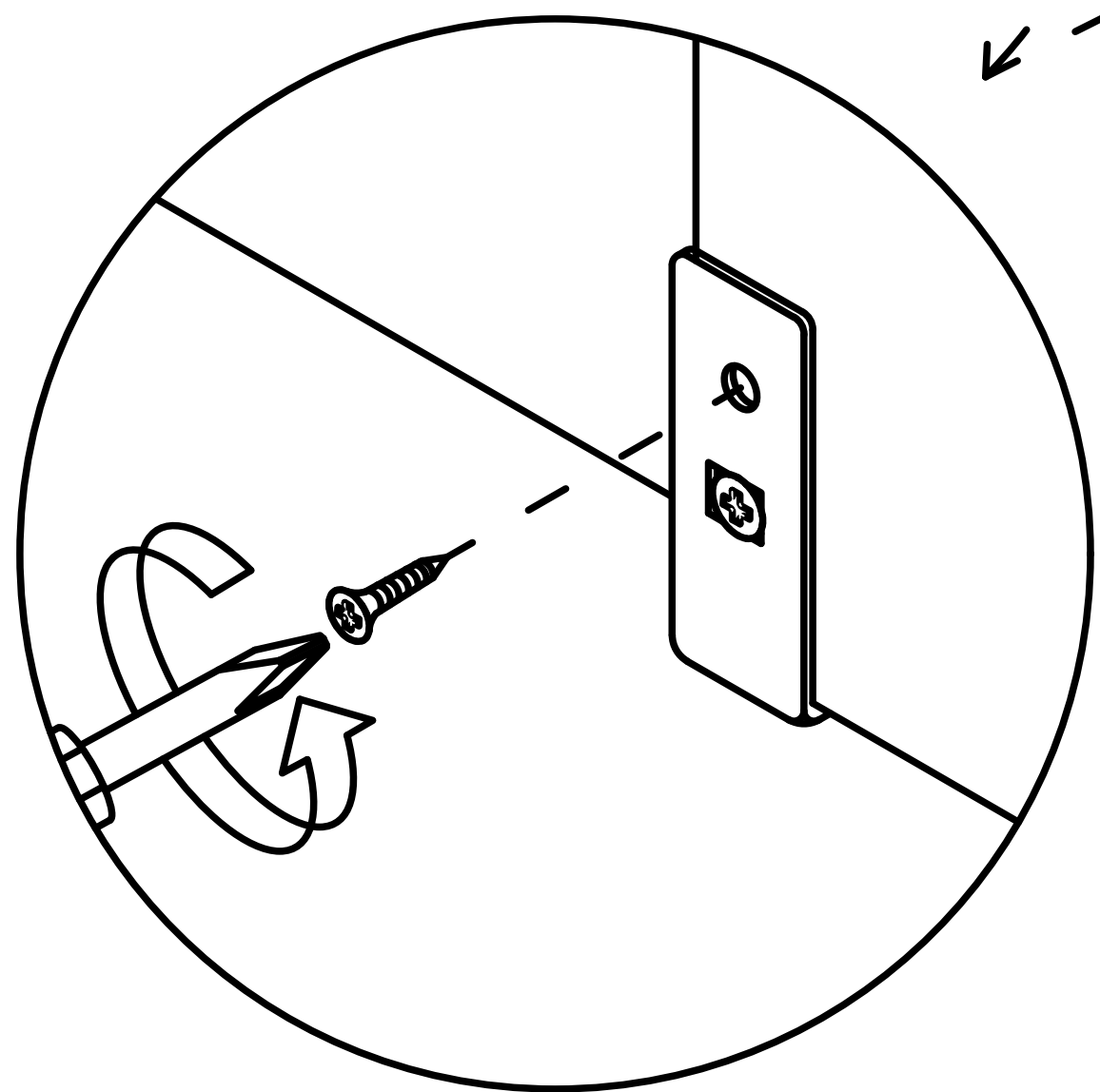


2pcs

x2

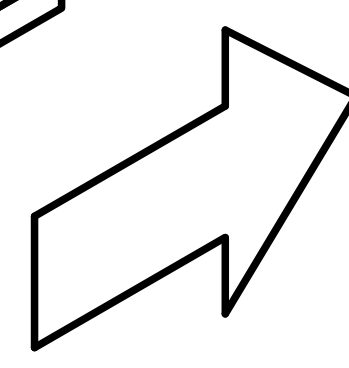
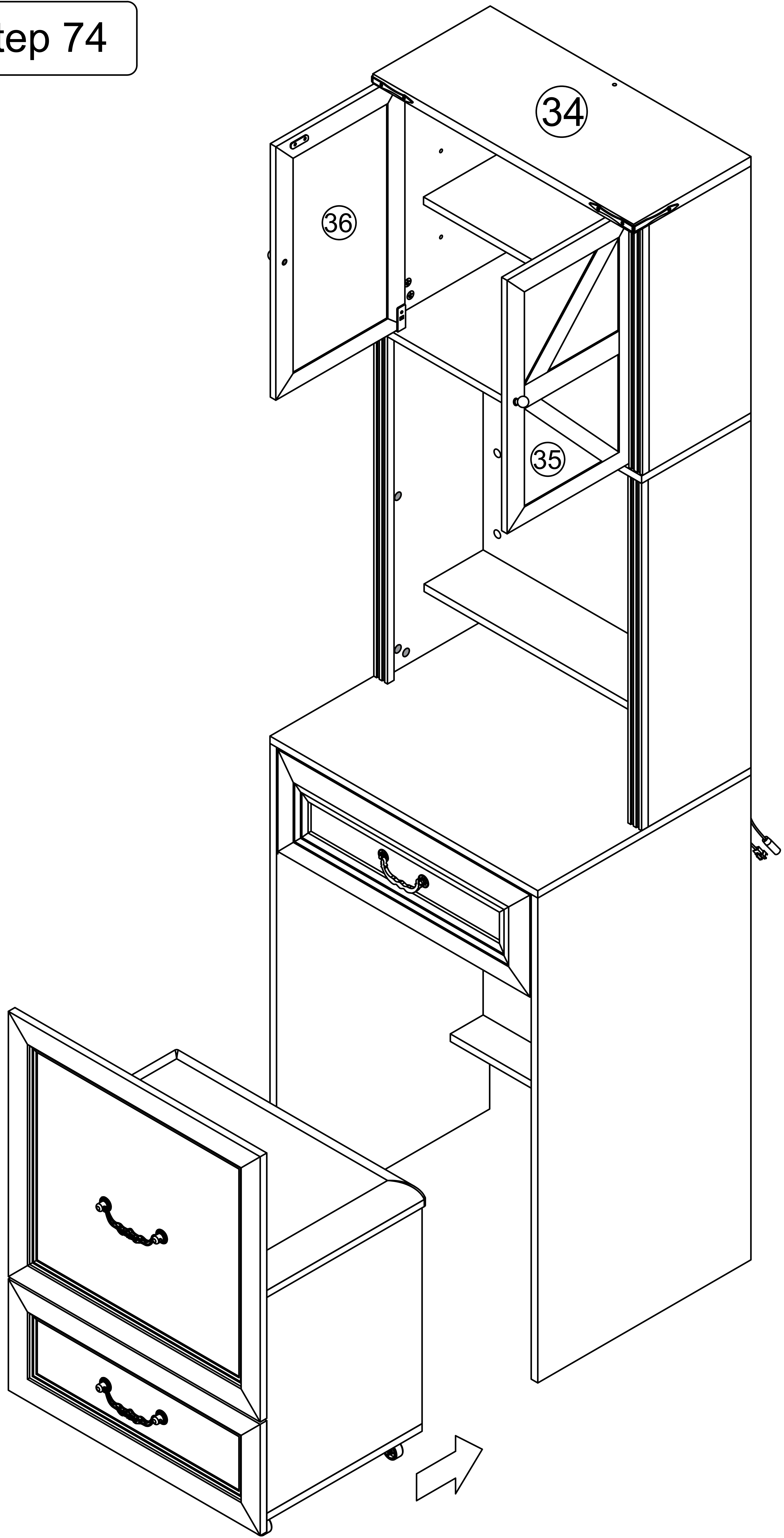


First

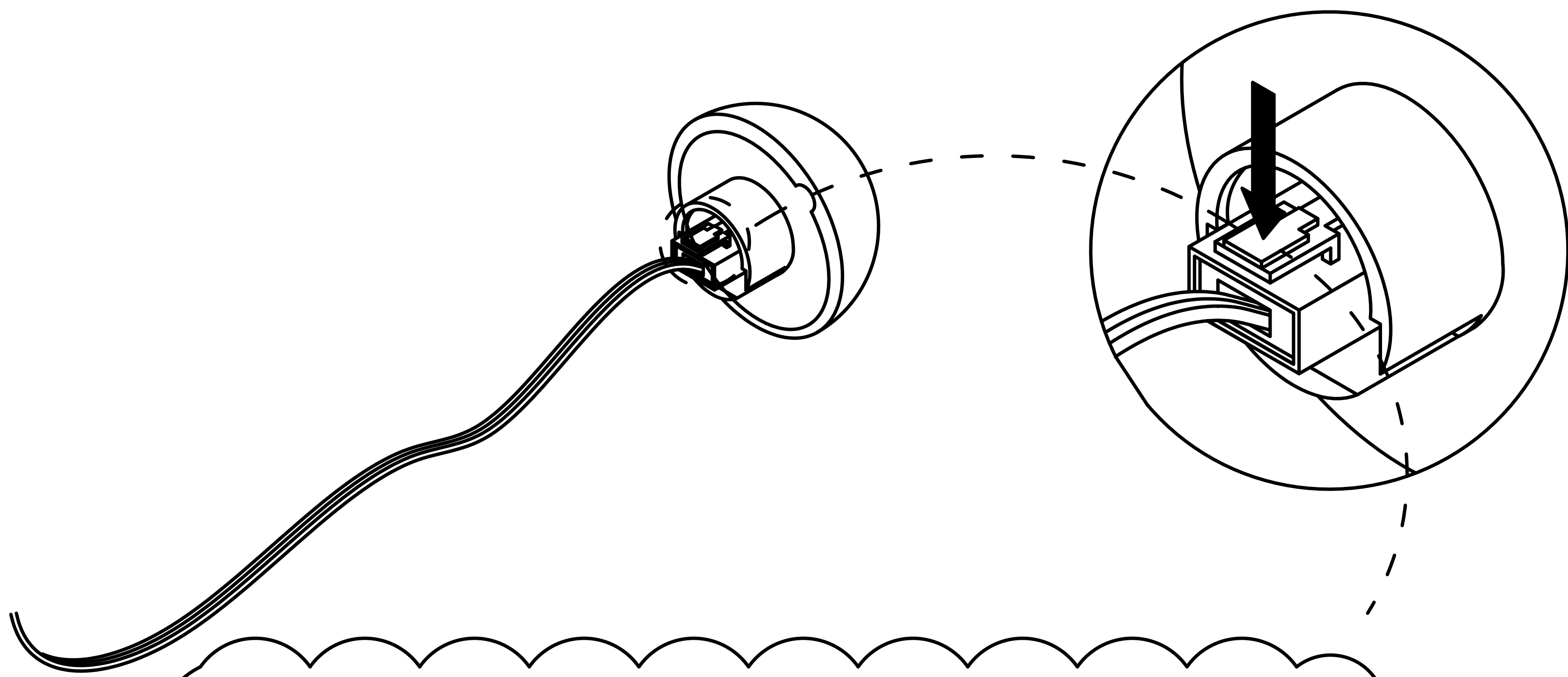


Second

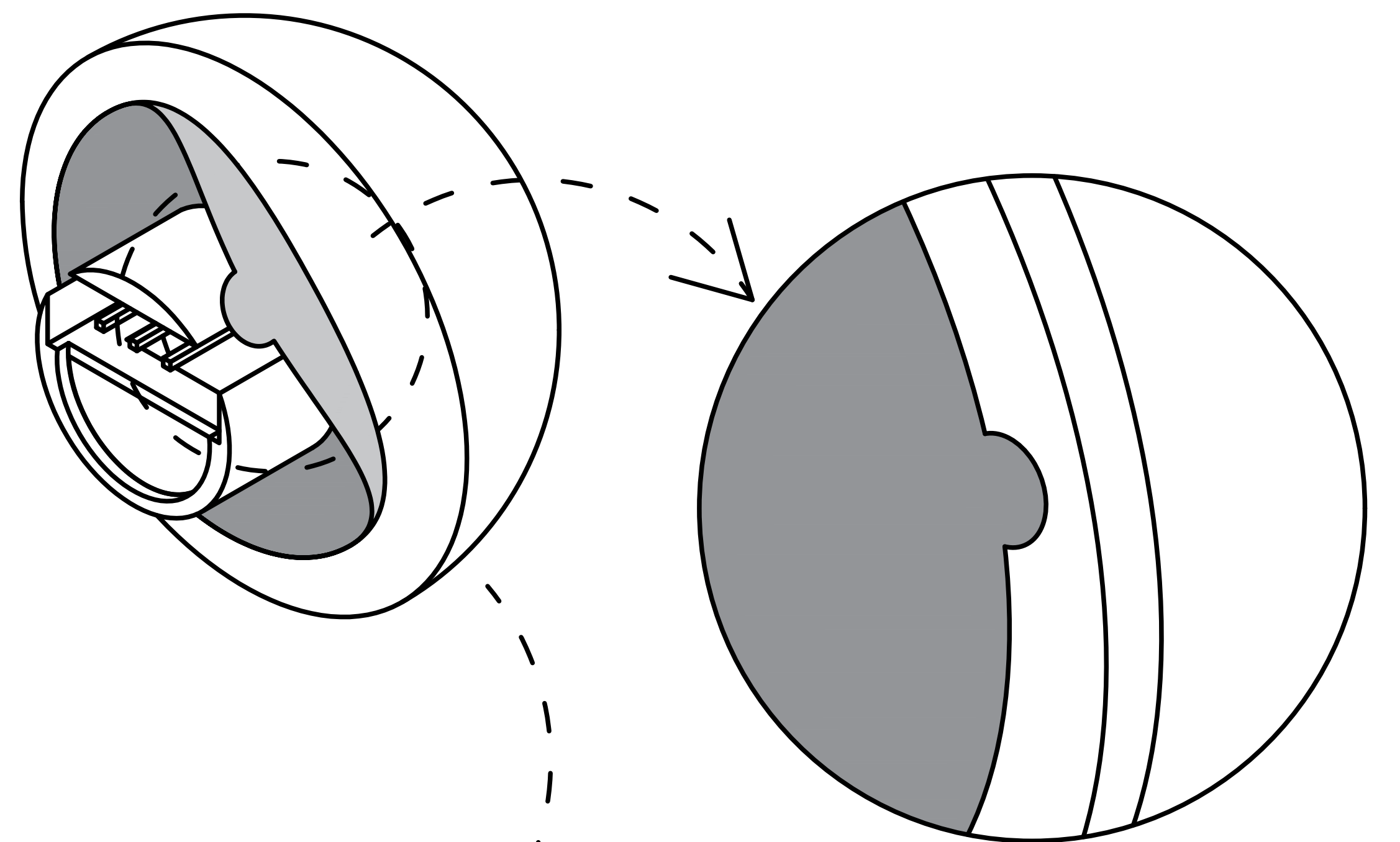
Step 74



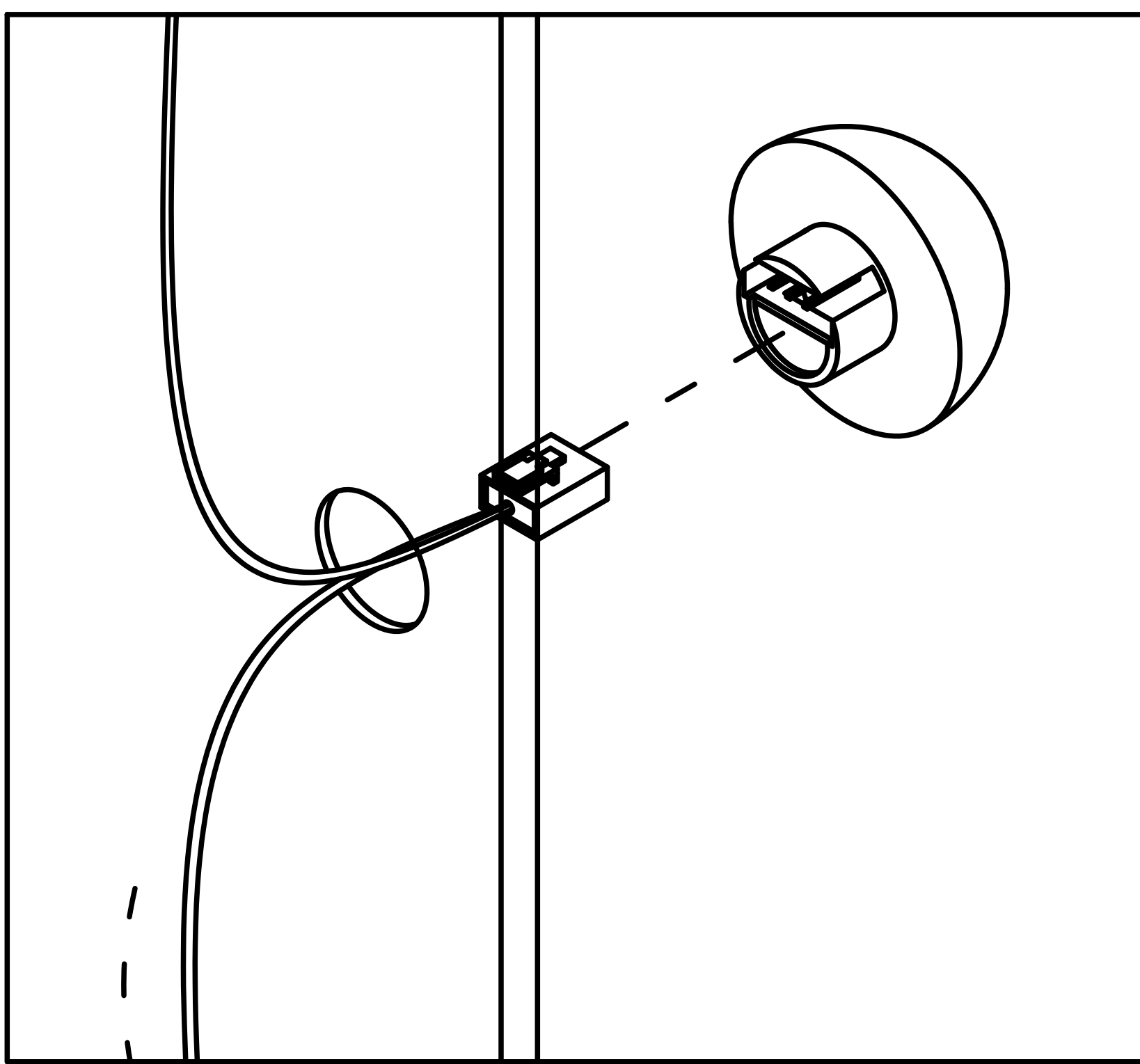
SY



Press the plug-in to pull out the cable

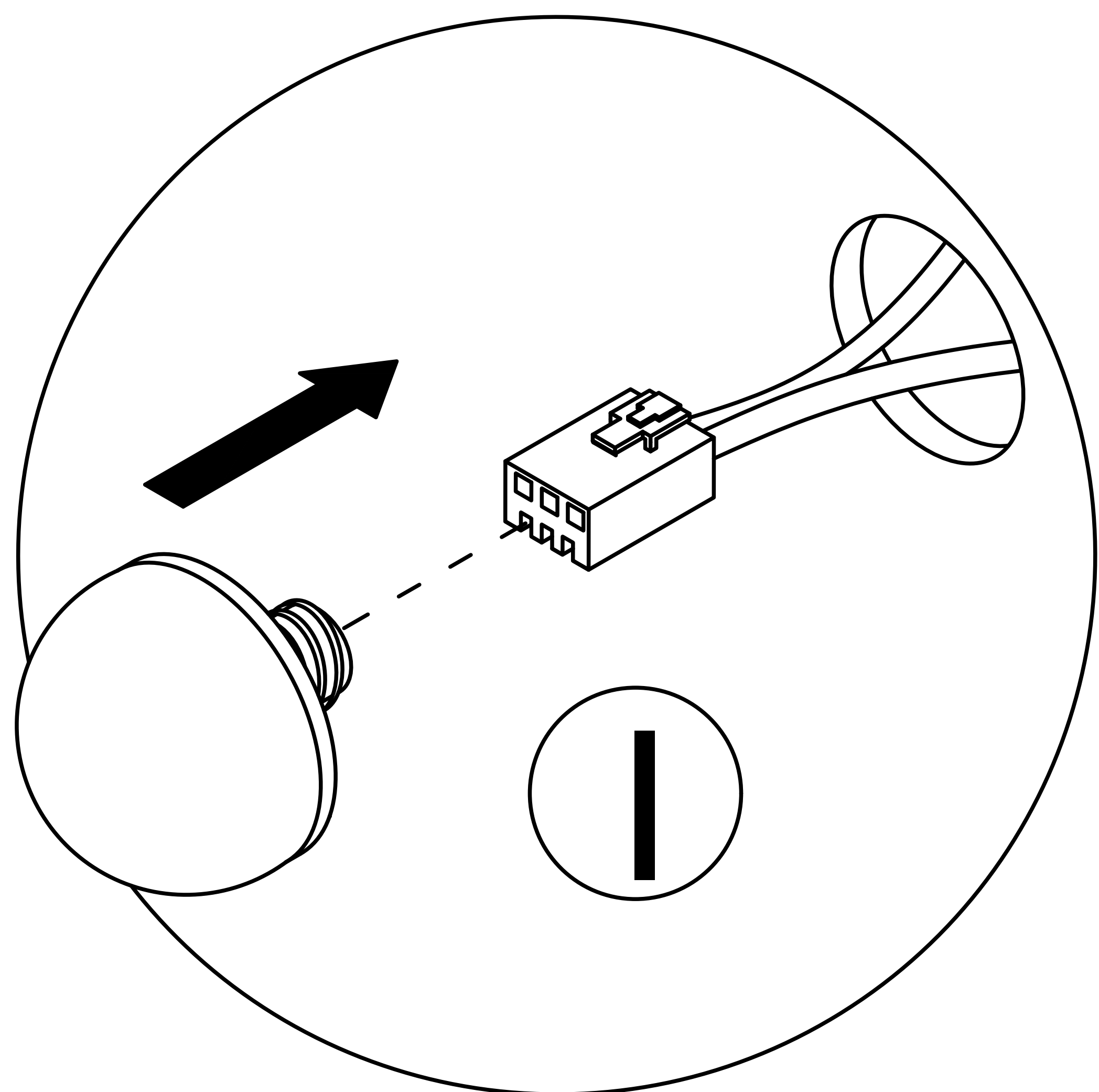


Remove the film before installation

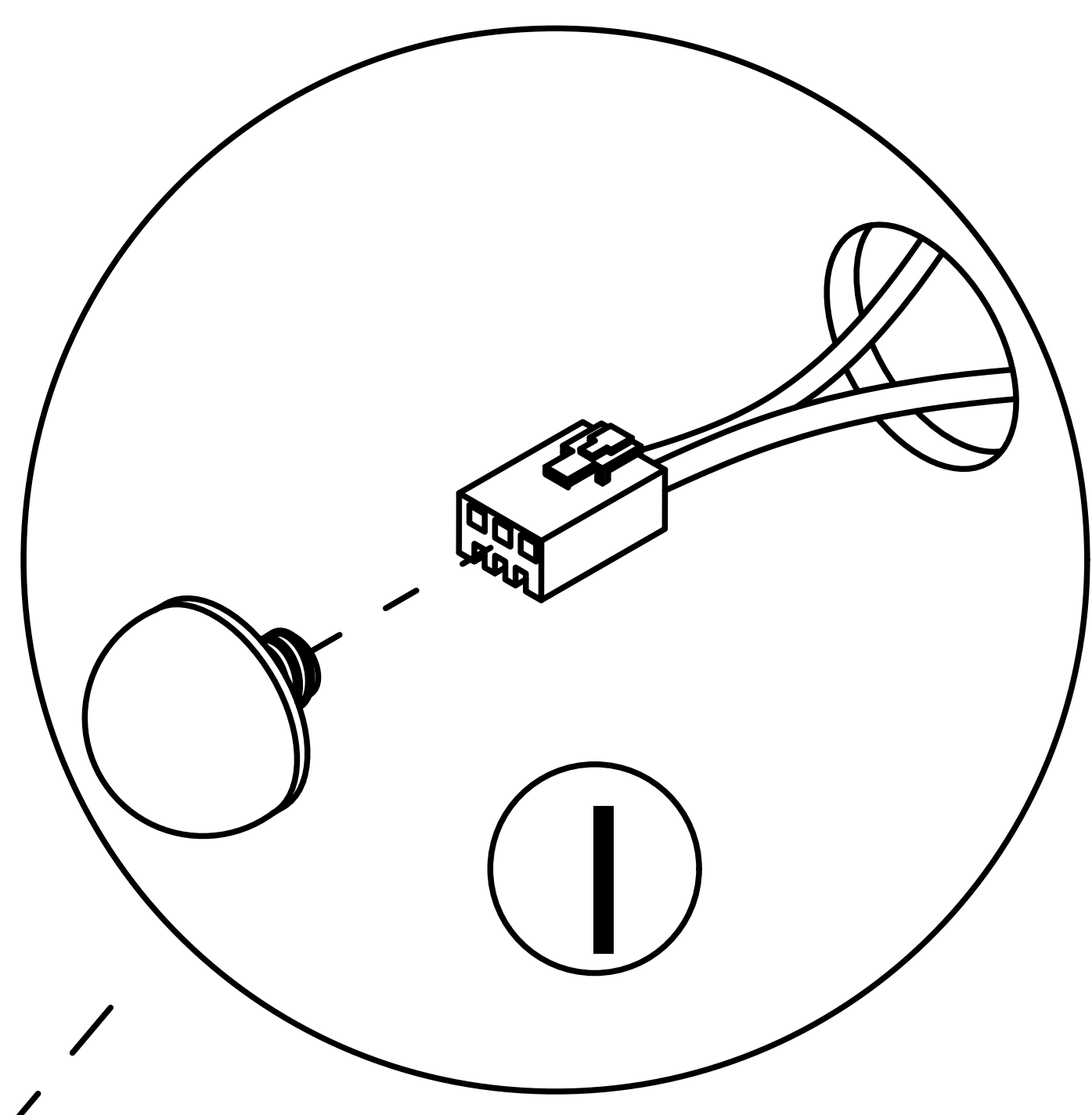
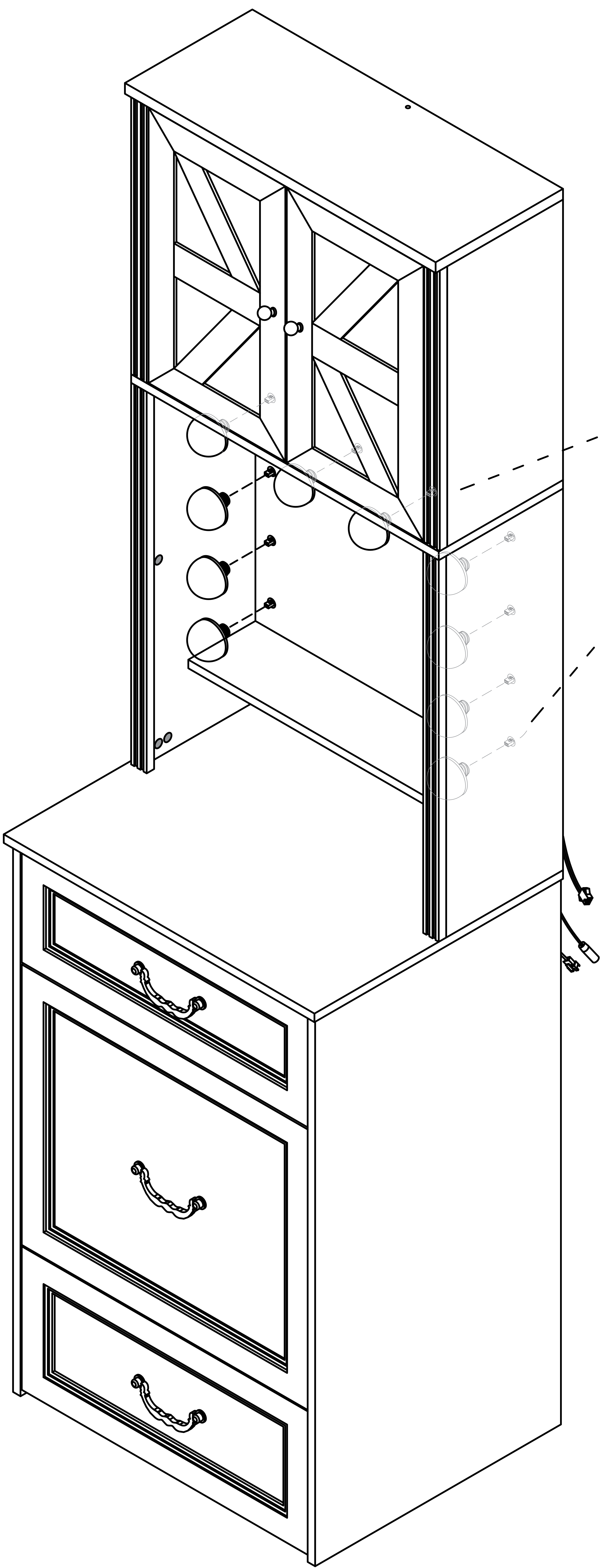
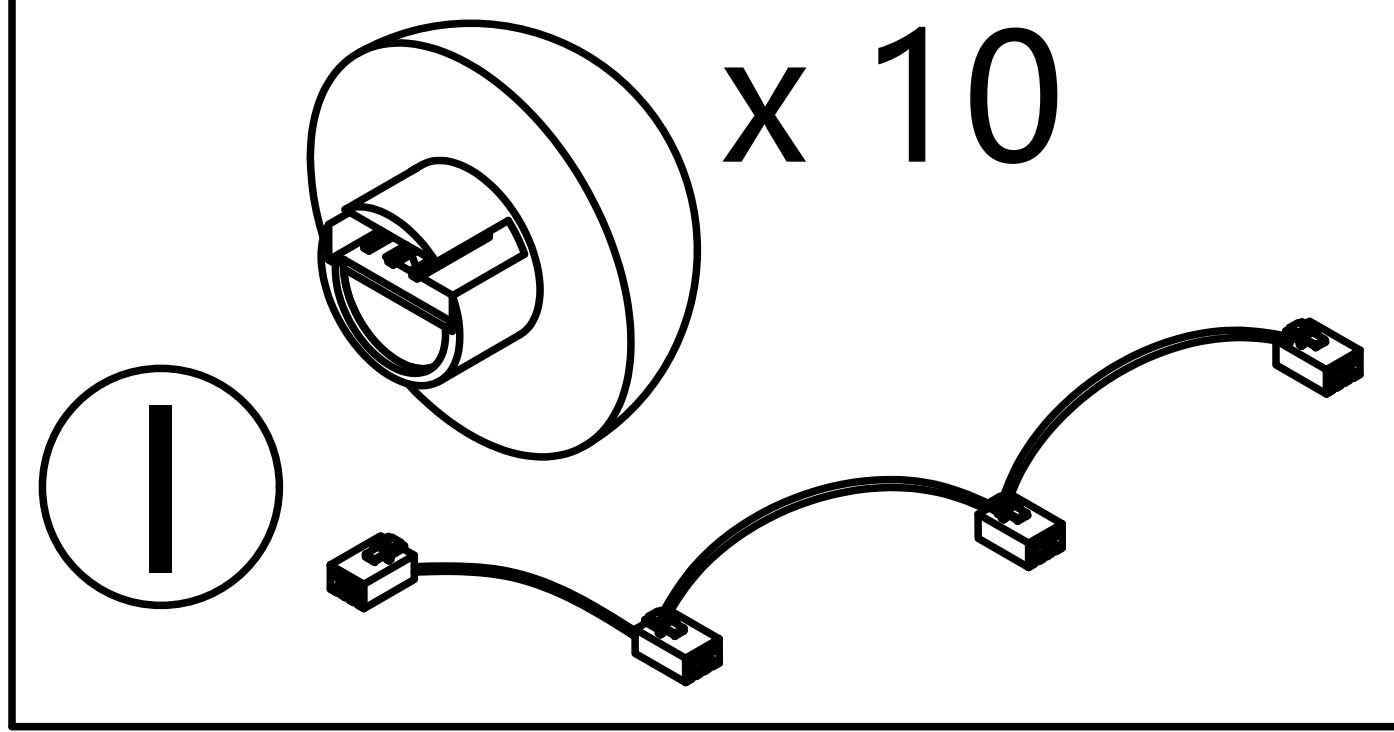


After inserting the bulb into the hole, glue the bulb to the board

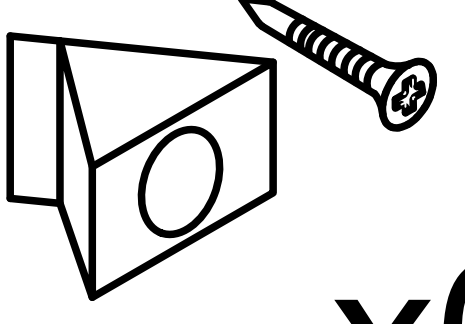
Connect the bulb to the plug

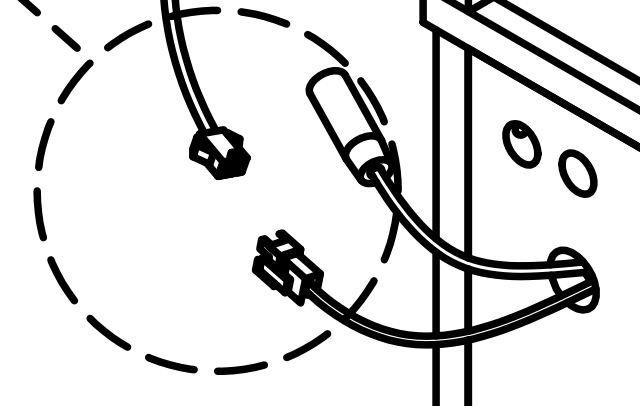
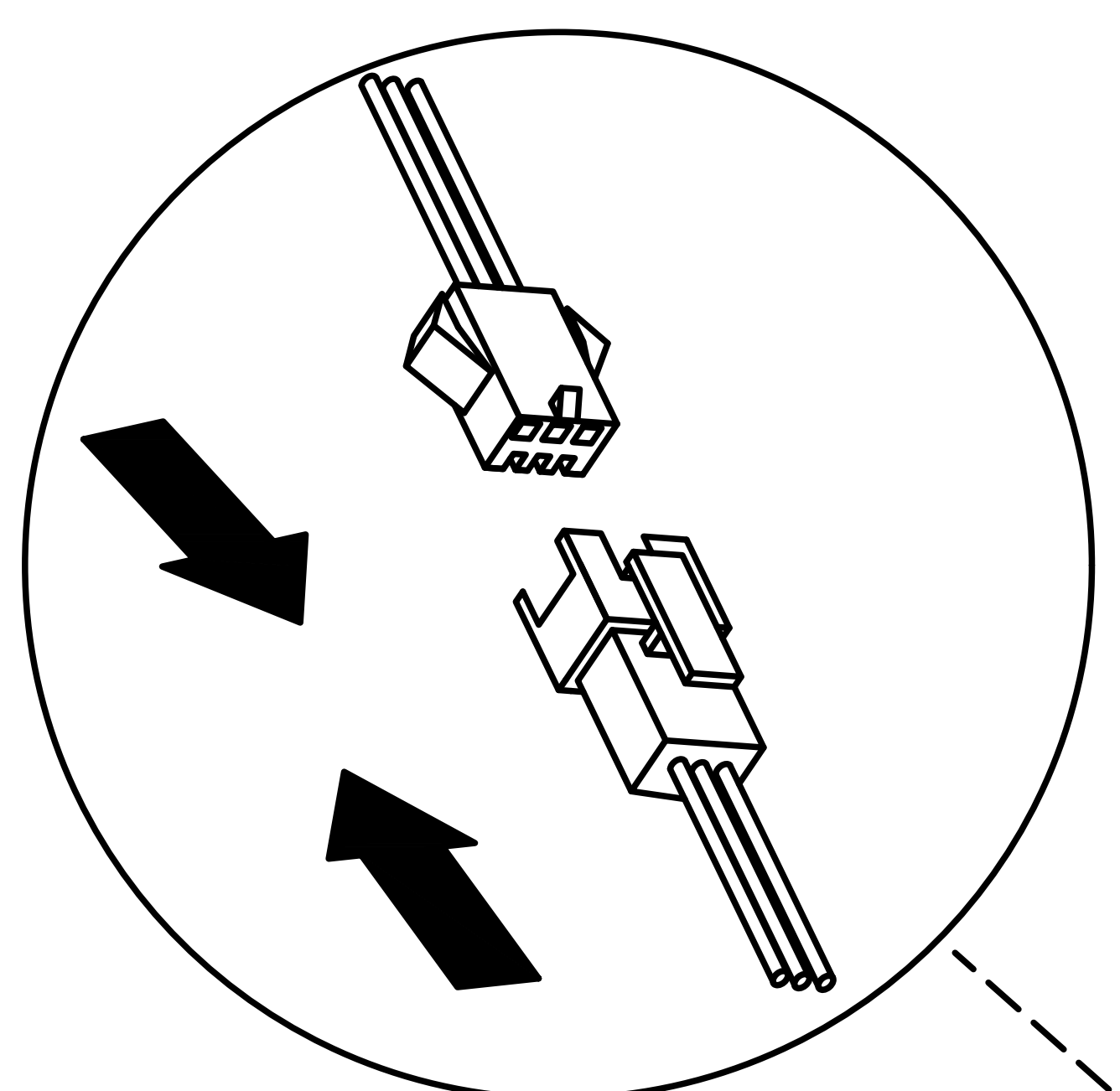
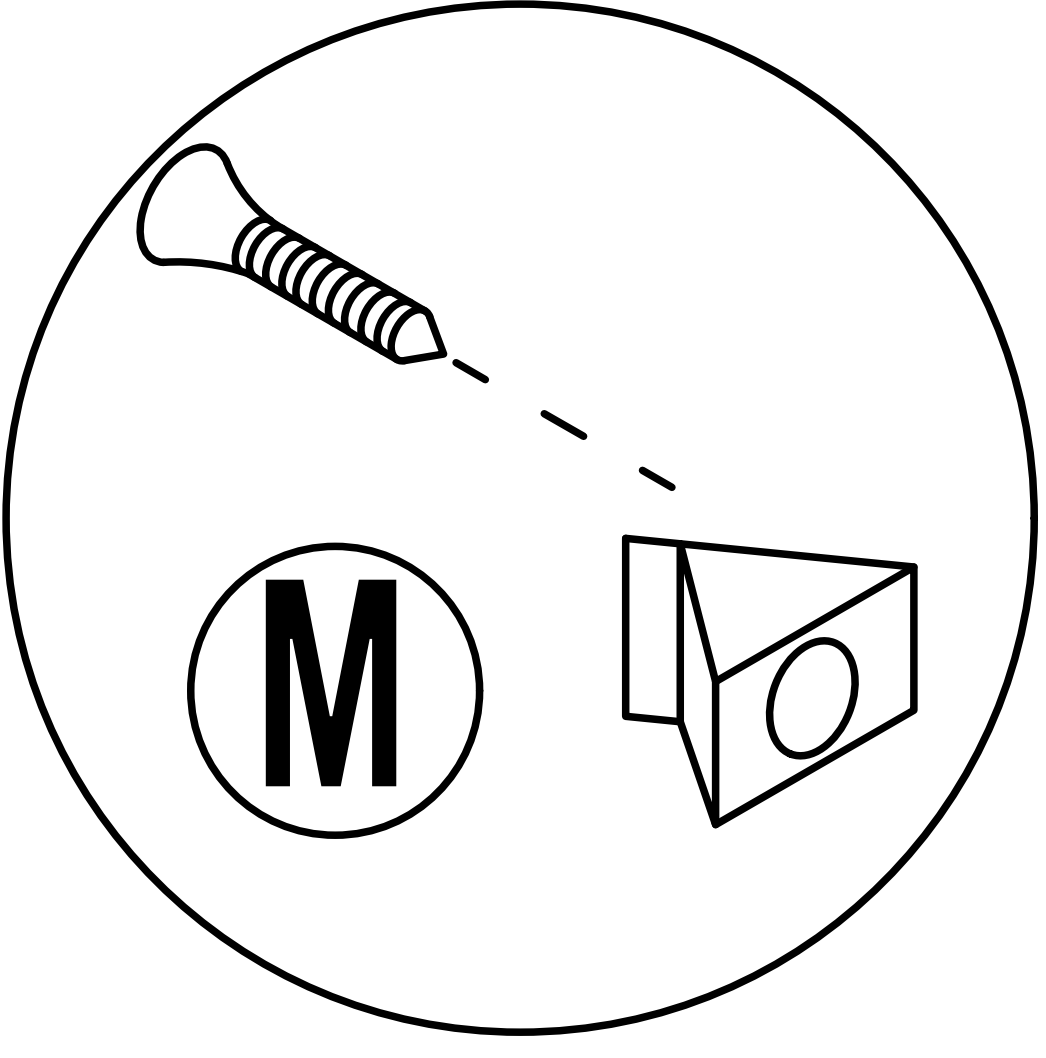
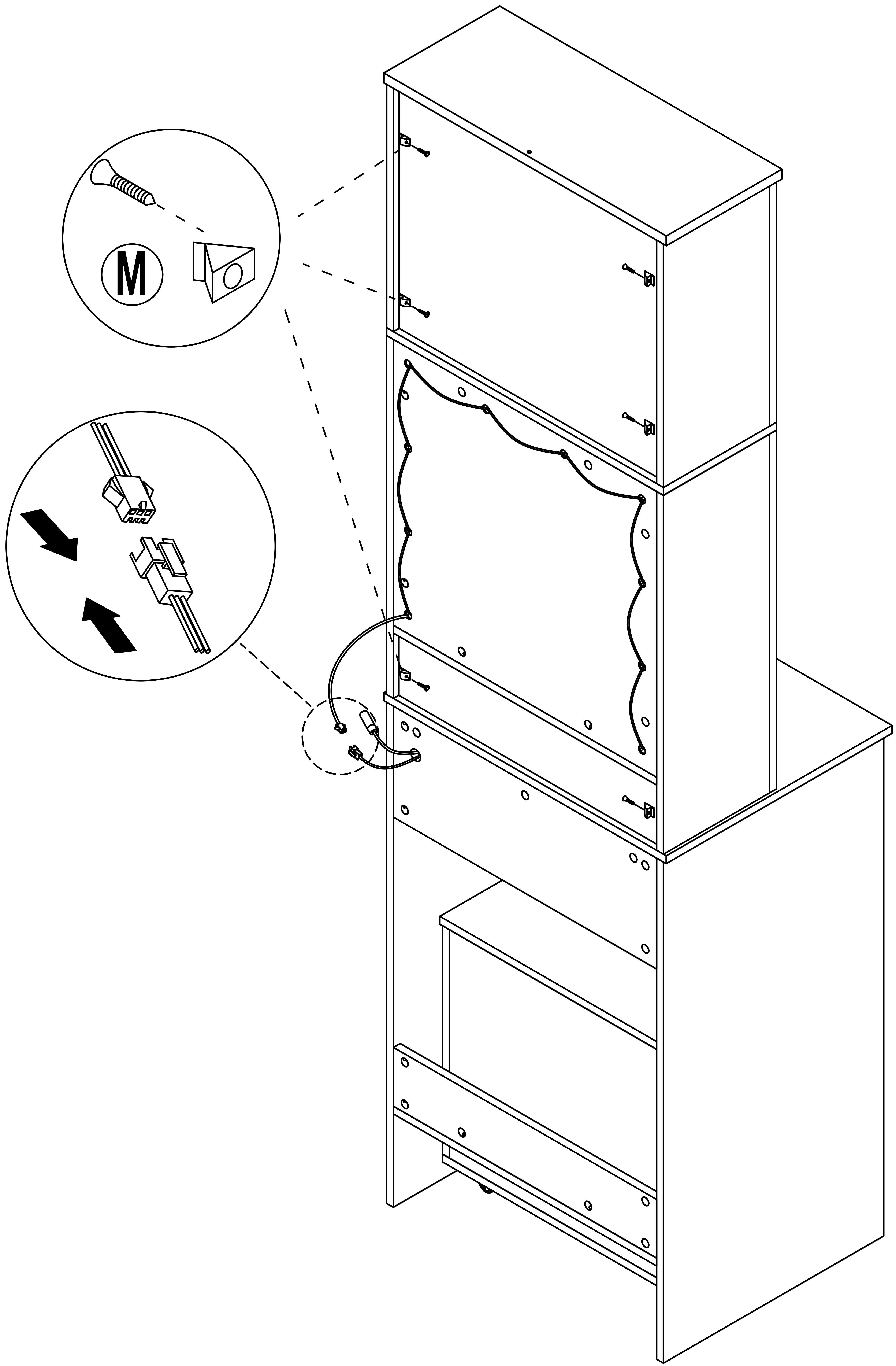


Step 75

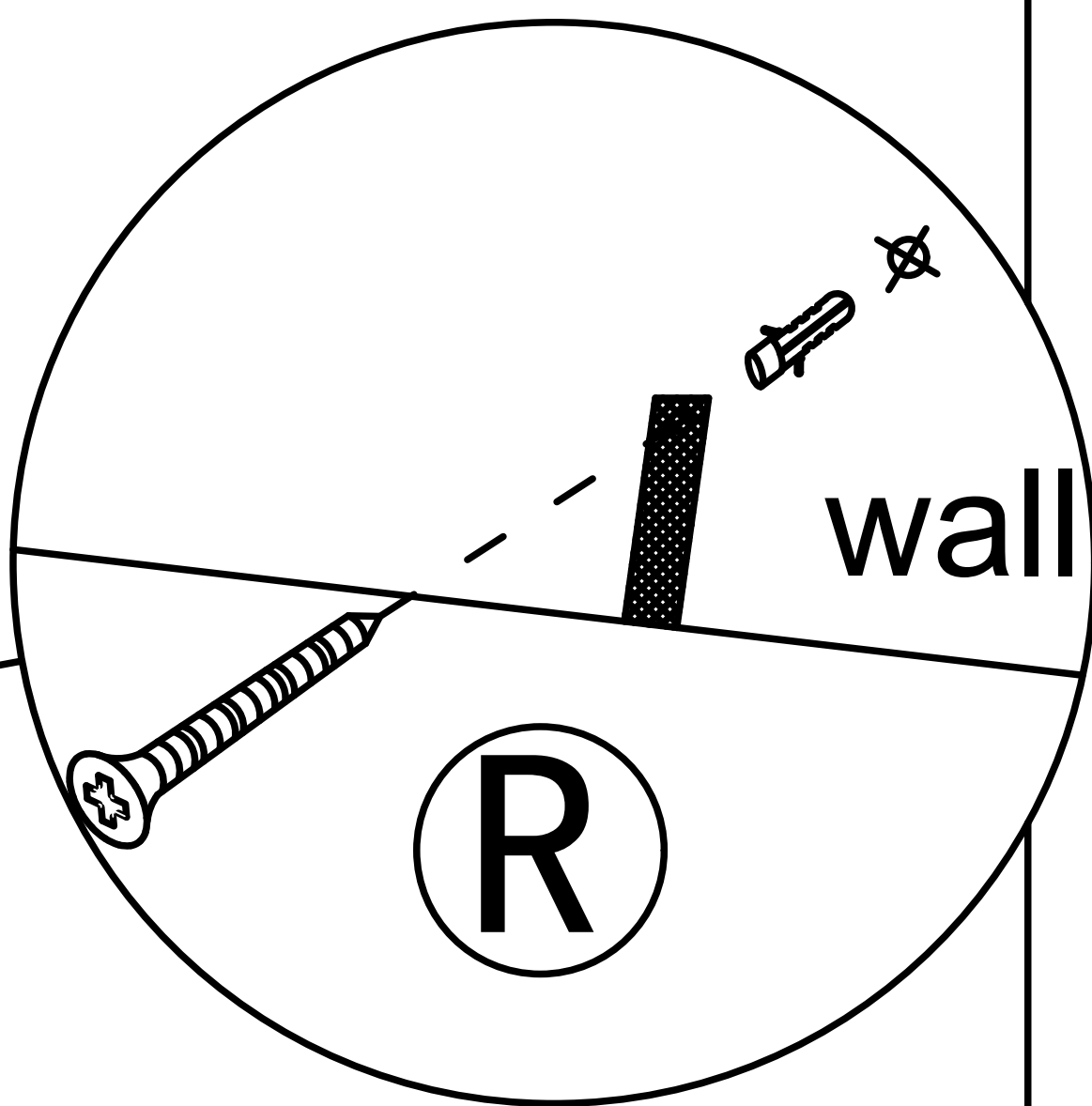
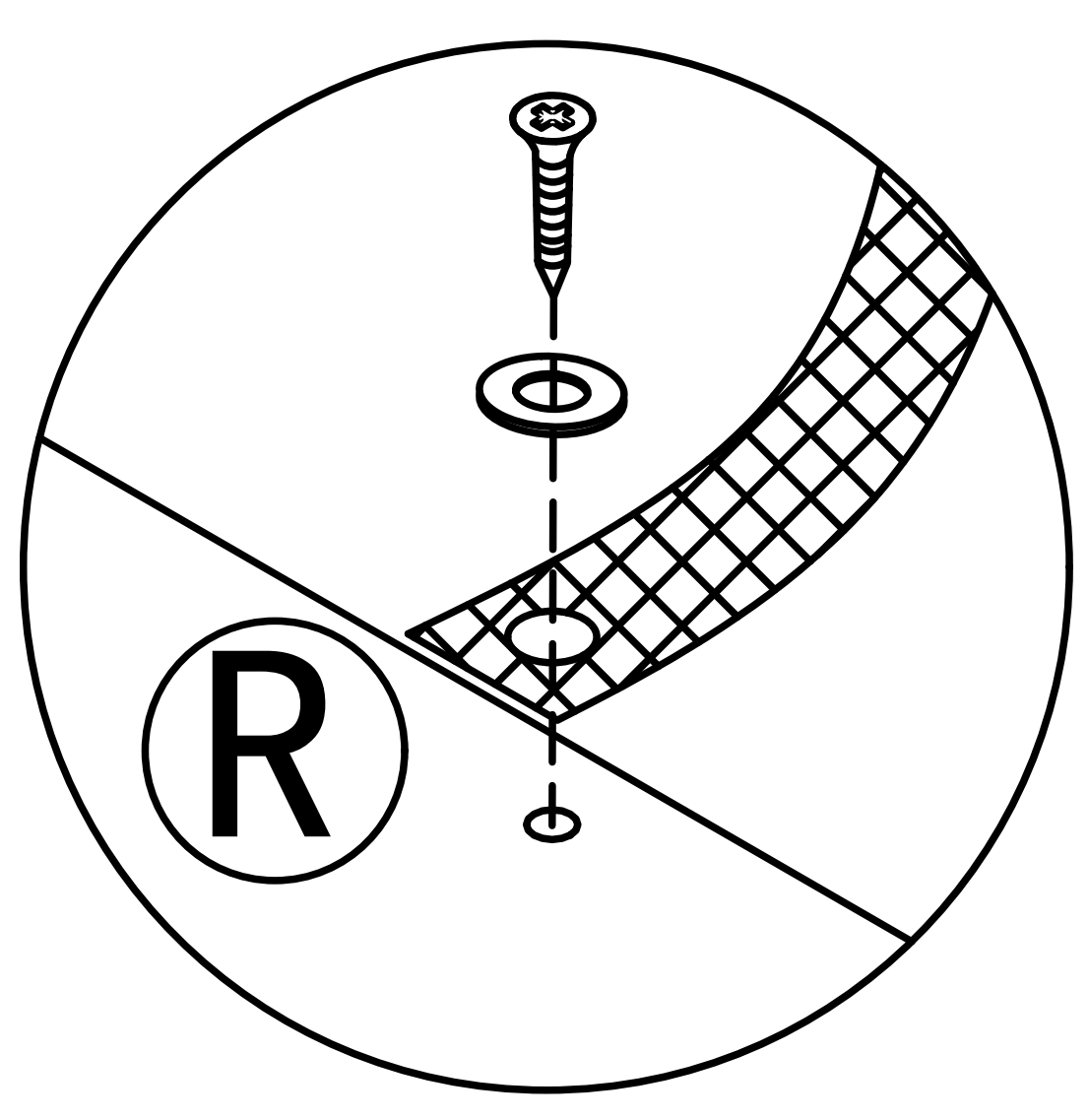


Step 76

M  x6



Step 77



- R** x1 (3.5x12mm)
- x1
- x1
- R** x1 (4x45mm)

