

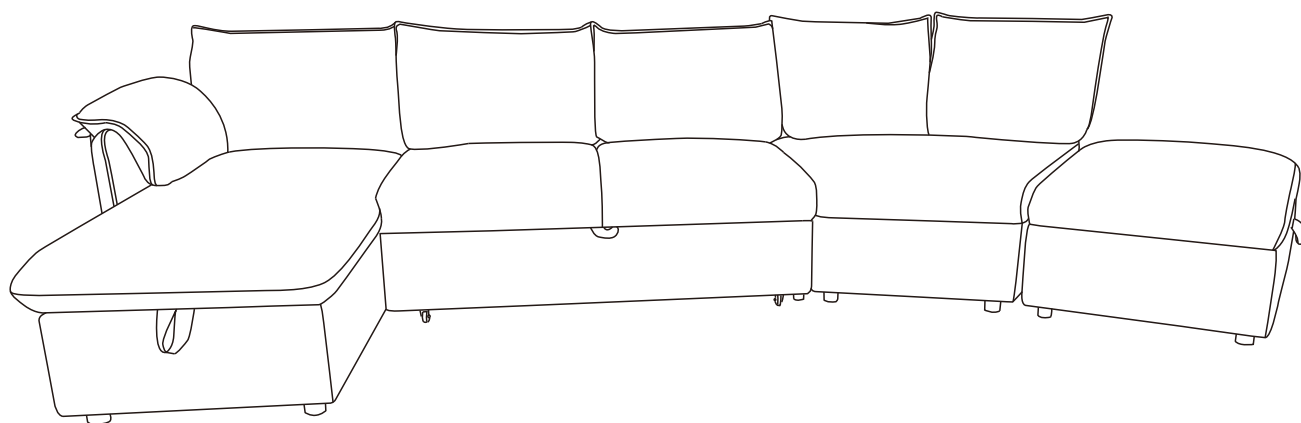
ASSEMBLY INSTRUCTIONS

SKU N719P183391

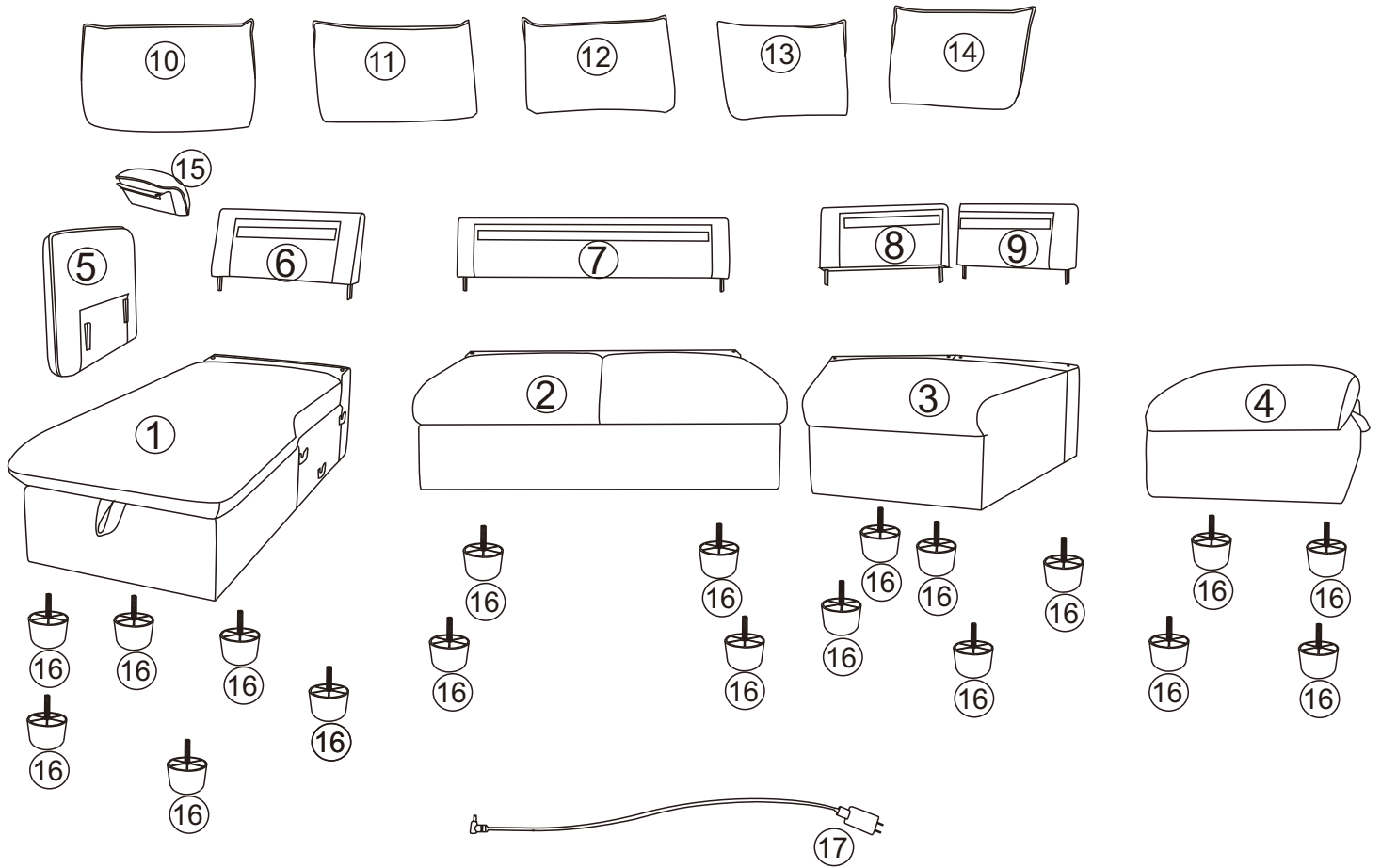
SKU N719P183393

SKU N719P183394

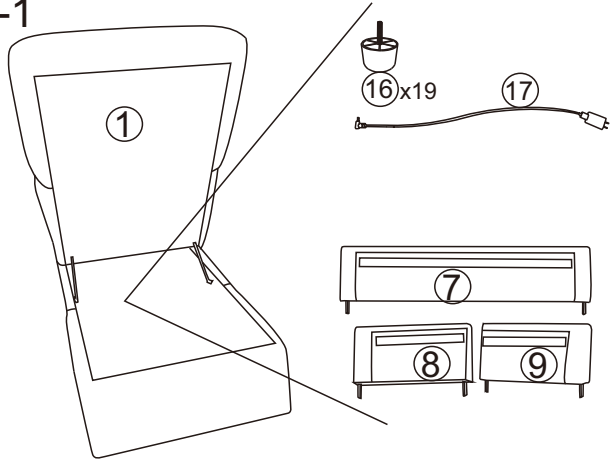
SKU N719P183397



PART LIST:

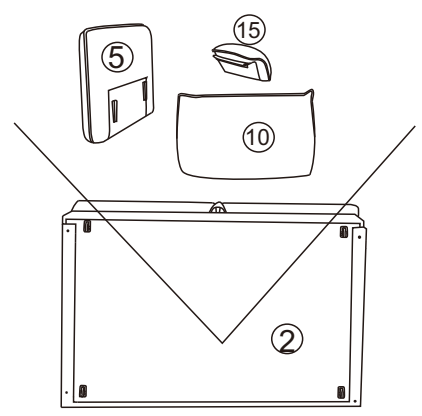


BOX-1



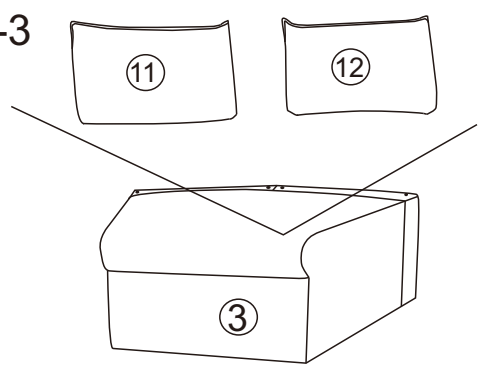
SKU N719P183391A

BOX-2



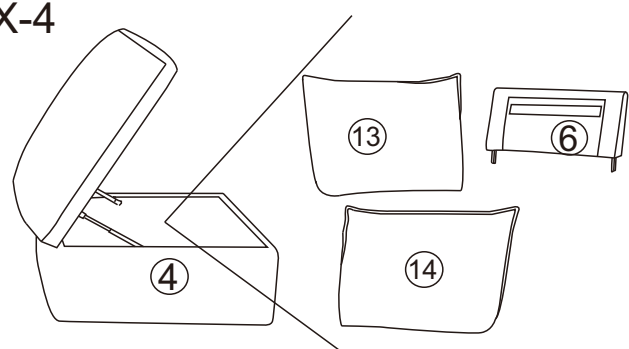
SKU N719P183393A

BOX-3



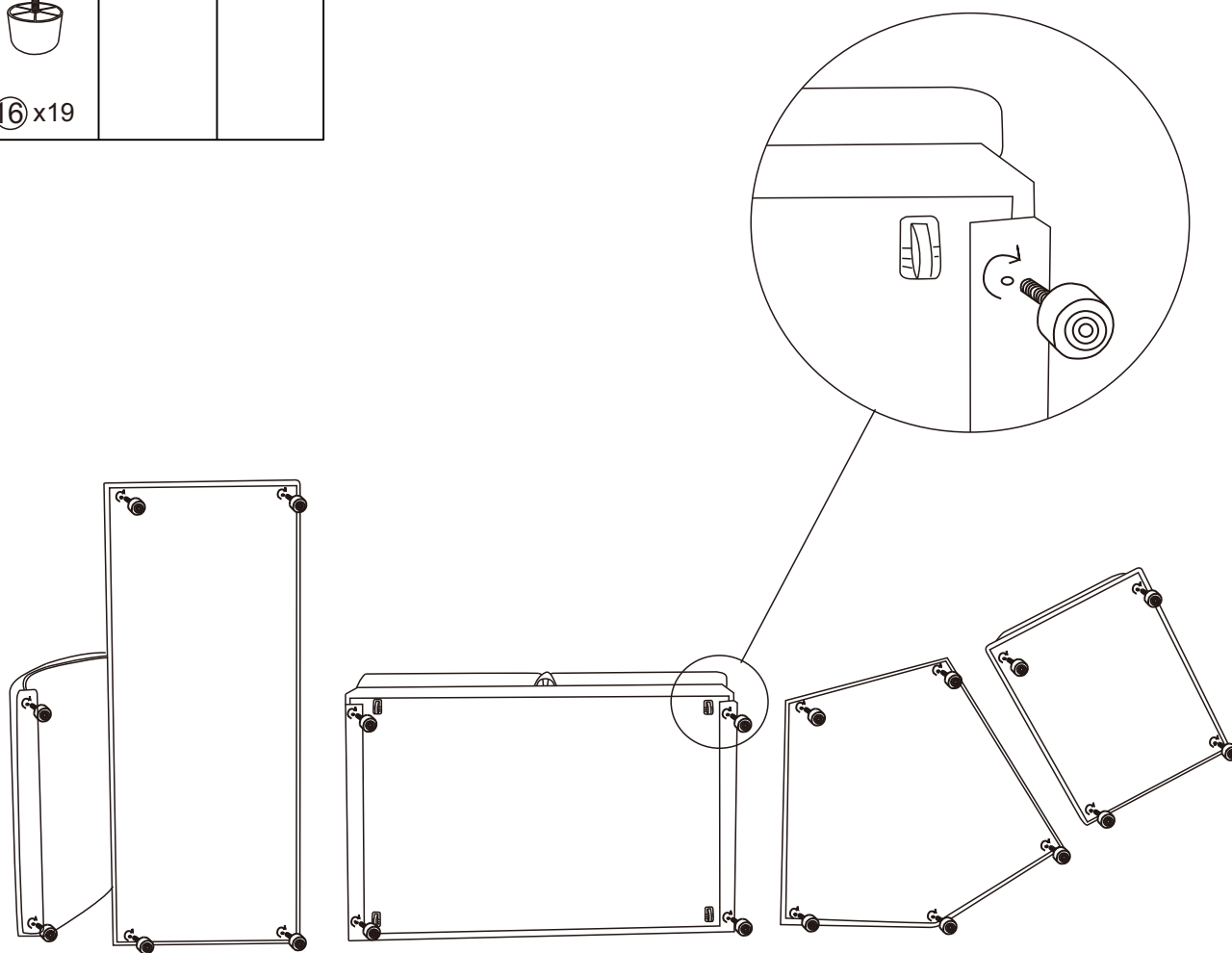
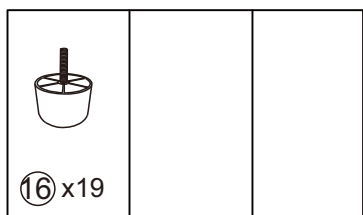
SKU N719P183394A

BOX-4

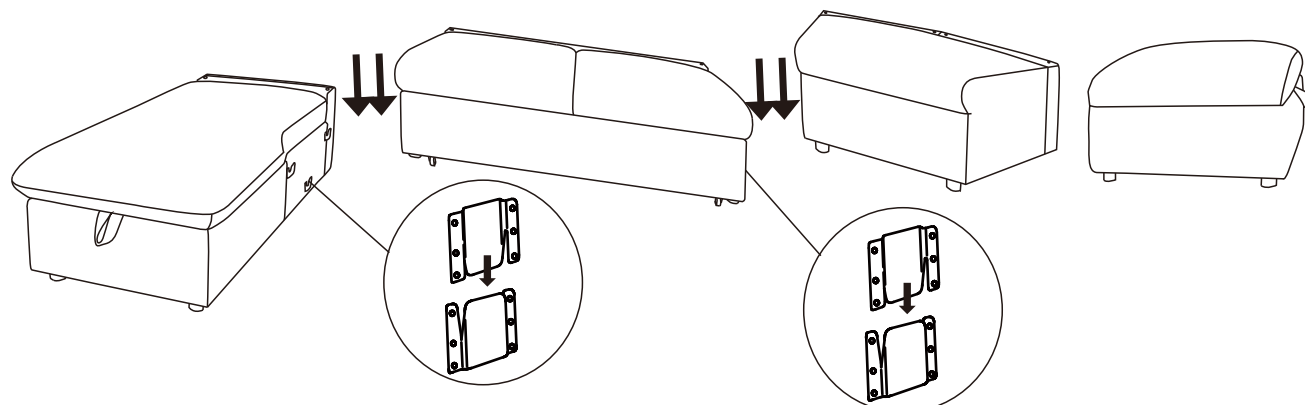


SKU N719P183397A

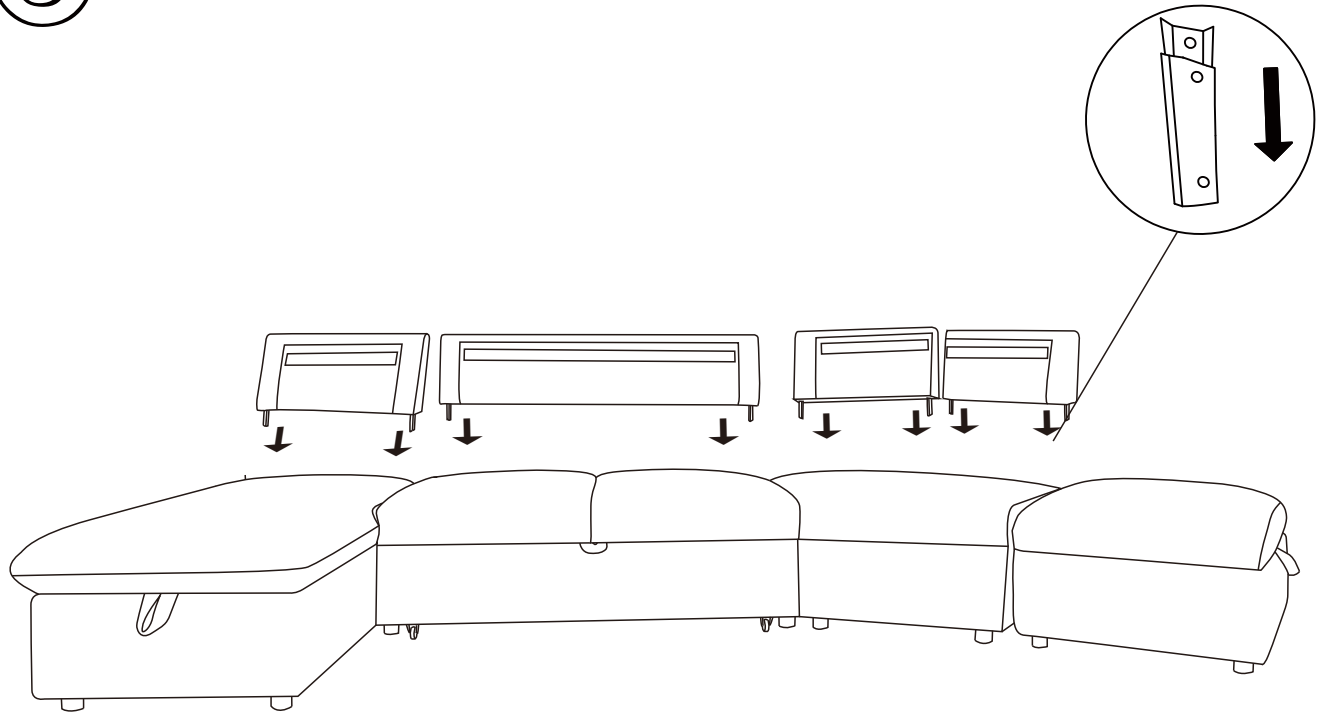
1



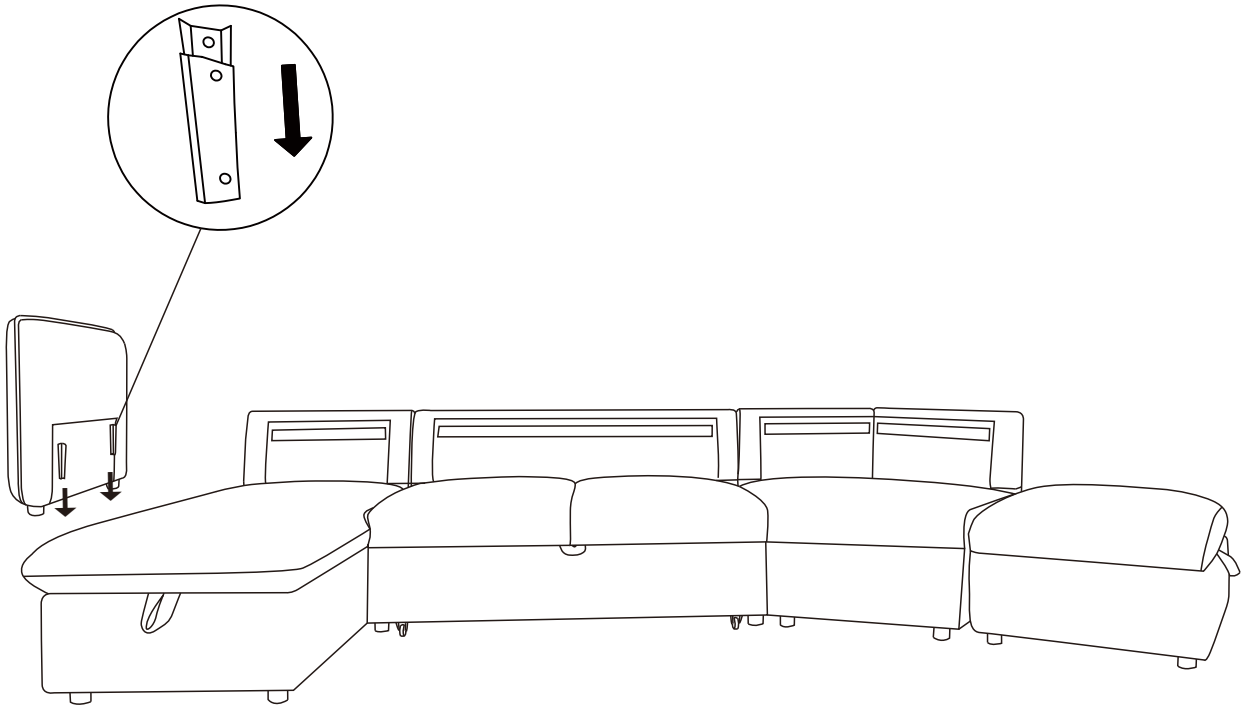
2



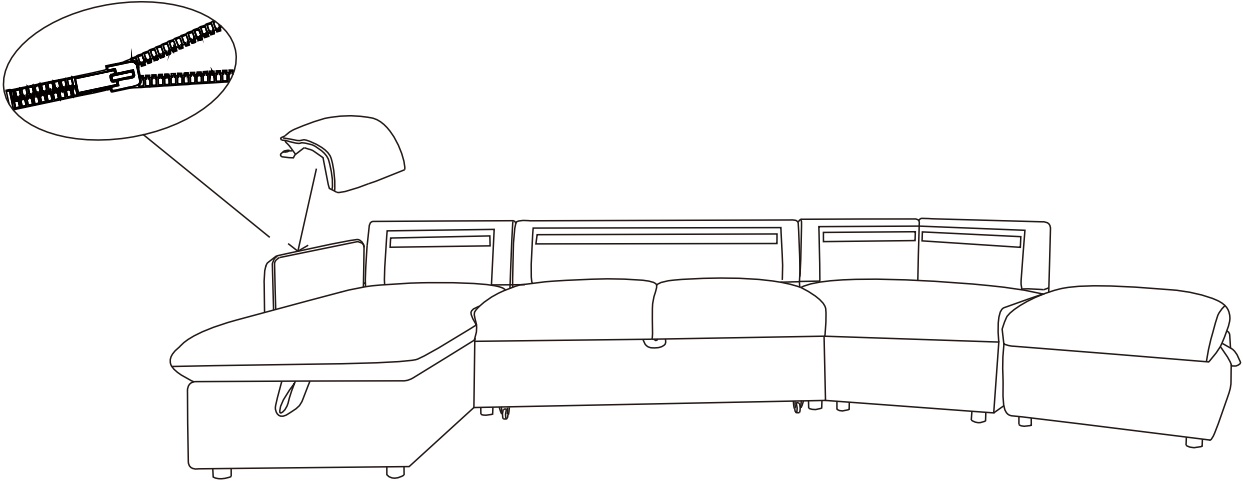
3



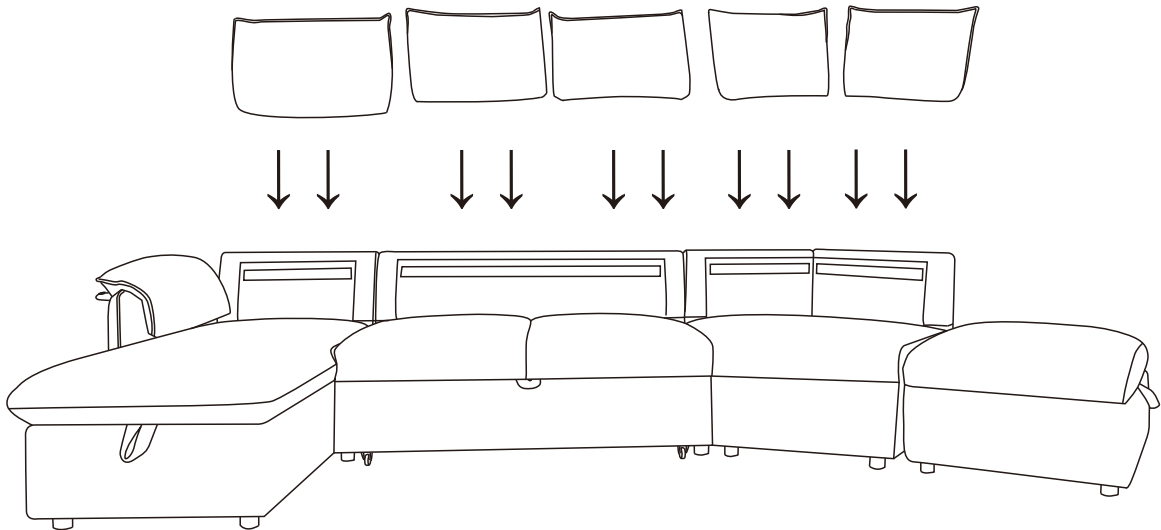
4



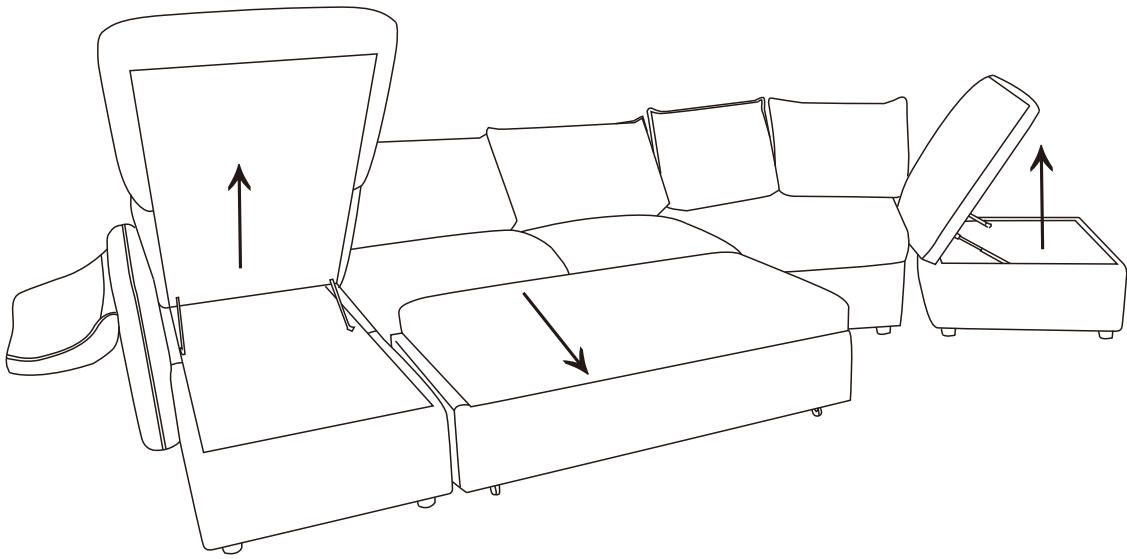
5



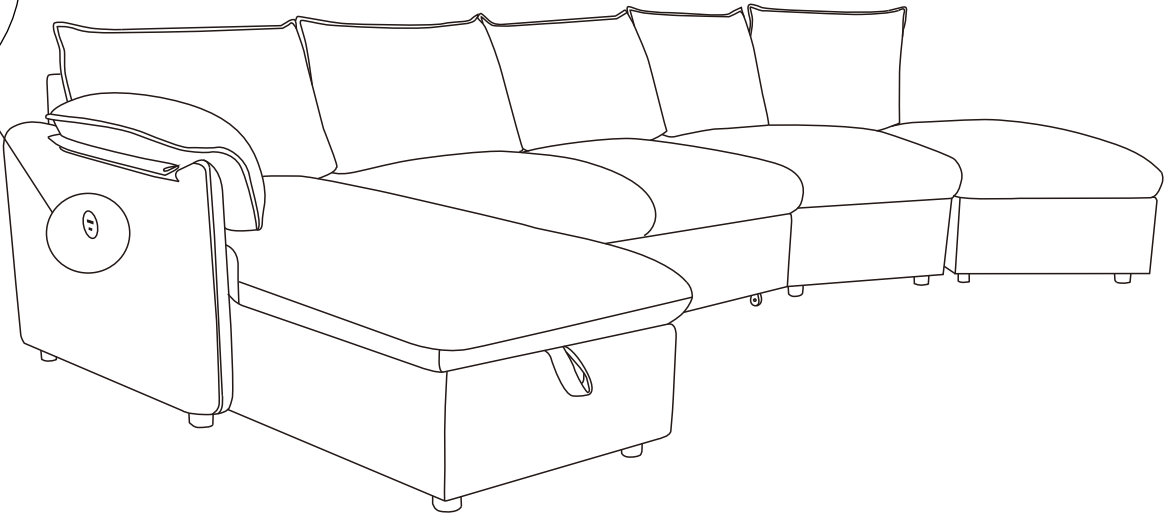
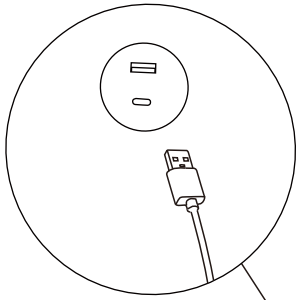
6



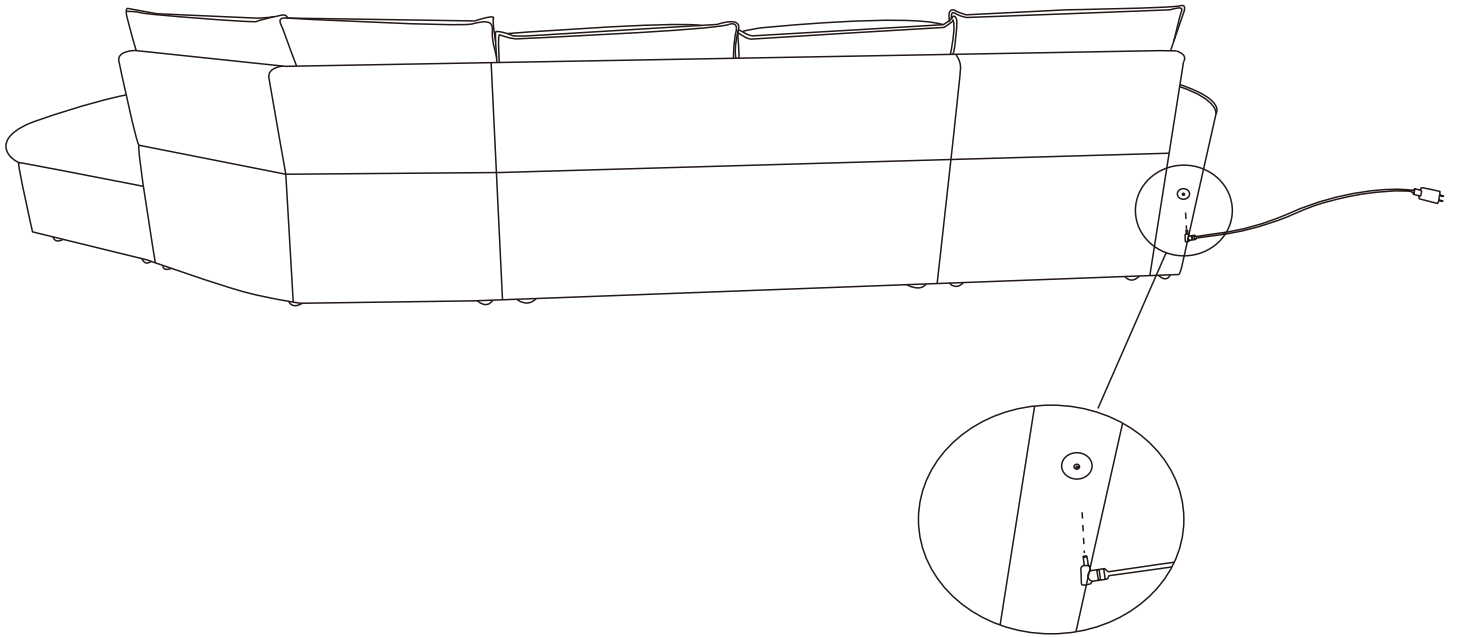
7



8



9



10

