



HEADRAIL

ASSEMBLY INSTRUCTIONS

Before assembling your platform head rail, please read through these instructions carefully and familiarize yourself with the different parts.

PARTS LIST

- 1 MID RAIL 1 PC**
- 2 TALL LEG 2 PCS**
- 3 SHORT LEG 2 PCS**

Instructions apply for all bed sizes
> Twin > Full > Queen > King

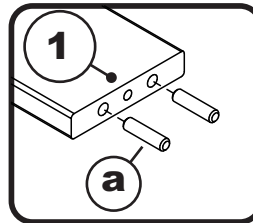
HARDWARE

- a** Wooden dowels- 4 pcs
Spare - 1 pc
- b** JCB M6 X 100mm(4 3/4") - 2 pcs
Spare - 1 pc
- c** Barrel nut - 2 pcs
Spare - 1 pc
- d** Wood button - 2 pcs
Spare - 1 pc
- e** Allen wrench - 1pc
Spare - 1pc

NOTE: WE INCLUDE SPARE HARDWARE IN CASE DAMAGE OCCURS DURING ASSEMBLY.

Step 1

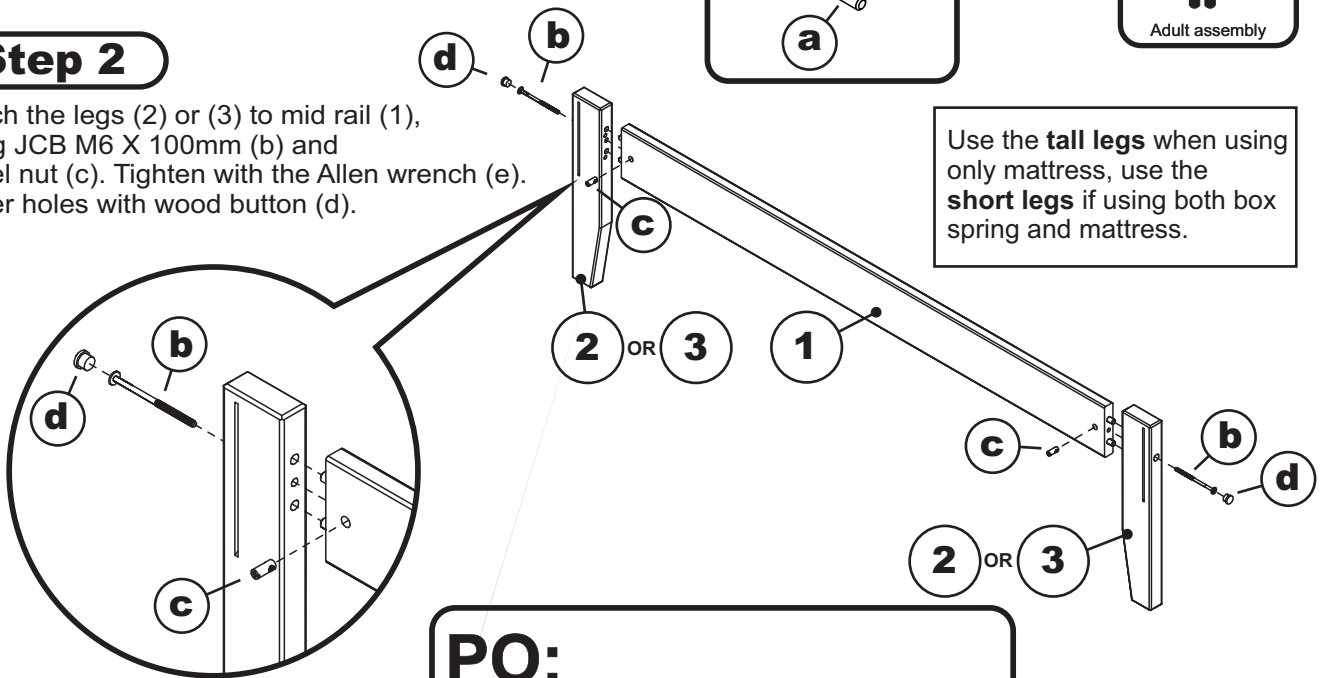
Insert wooden dowels (a) to the locator holes on (1). Both end.



Step 2

Attach the legs (2) or (3) to mid rail (1), using JCB M6 X 100mm (b) and barrel nut (c). Tighten with the Allen wrench (e). Cover holes with wood button (d).

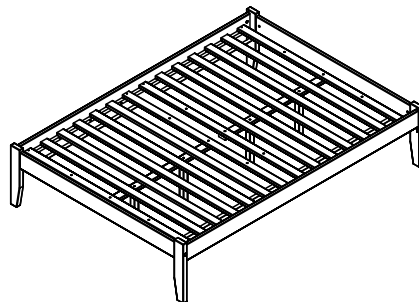
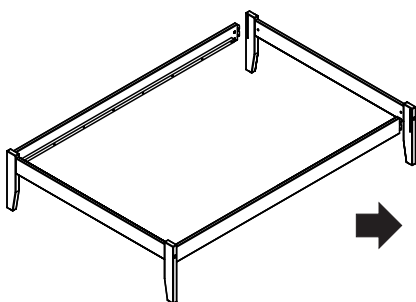
Use the **tall legs** when using only mattress, use the **short legs** if using both box spring and mattress.



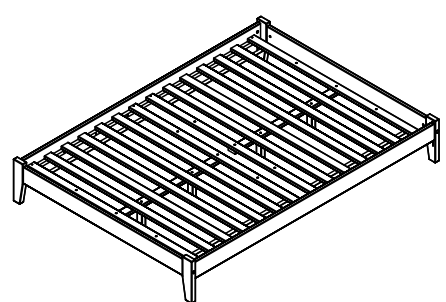
PO:

Step 3

Attach bed frame assemblies to the head rail assemblies, using bed hook as shown below. For Slat kit assembly, follow assembly instructions included with slat kit.



PLATFORM BED - TALL HEIGHT



TRADITIONAL BED - LOW HEIGHT