

NOTICE

*Please make sure that you have all parts indicated and they are in good condition before you begin assembly of this item. Refer to part list and hardware list below for guidance.

*This item should be assembled on a soft surface to prevent scratching the finish during assembly.

*This item may require periodic tightening.

*If you are having difficulty, our friendly Customer Care team is always here to help.

PREPARATION

* Before beginning assembly of product, make sure all parts are present. Compare parts with part contents list and hardware contents list.

* If any part is missing or damaged, do not attempt to assemble the product.

* Estimated Assembly Time: 10 minutes.

***Tools Required for Assembly (included): Allen Key**

CARE AND MAINTENANCE

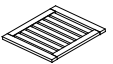






OUTDOOR FURNITURE CARE

Store outdoor furniture indoors or cover well when not in use. Remove wooden furniture from standing water.

Dust regularly with small brush or vacuum.

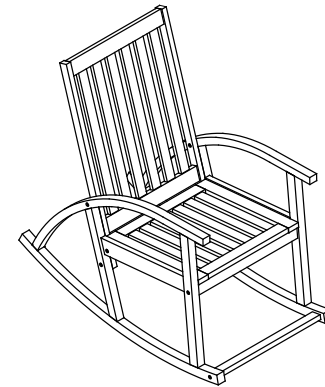
Spills should be taken care of immediately before they harden or stain with a slightly dampened sponge.

Part List and Hardware List

PIECE	DESCRIPTION	PICTURE	QUANTITY
A	Seat Frame		1X
B	Leg Frame		2X
C	Back frame		1X
D	Cross bar of leg		2X
E	Cross bar of leg		1X
HW1	Screw: M6 x0.5 x50 mm		4X
HW2	Screw: M6 x0.5 x80 mm		4X

Owner Manual






Product Dimensions:22.8" W x 39.4" D x 40.6"H



Weight Capacity :220 Ibs

Warning : Do not stand on chair

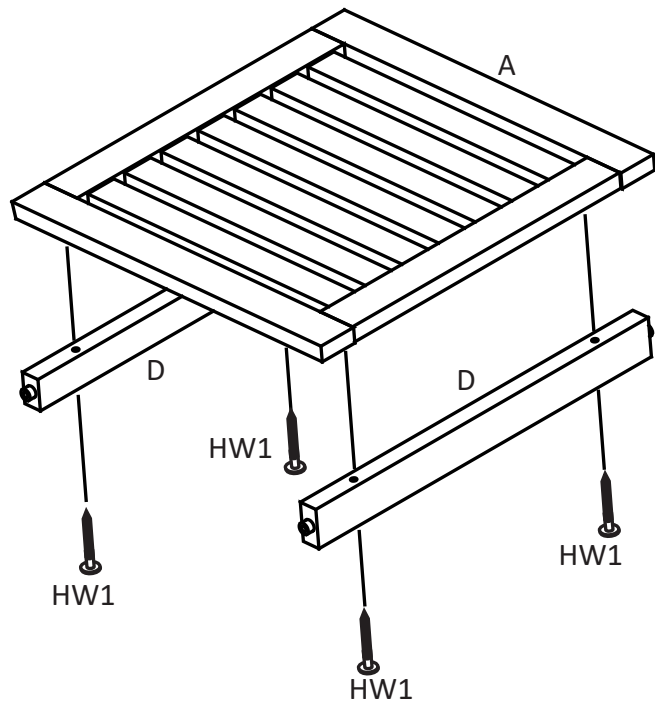
Warning : Do not over torque bolts / screws

PIECE	DESCRIPTION	PICTURE	QUANTITY
HW3	Allen Bolt: M6x0.5x50 mm		4X
HW4	Sleeve nut: M6 x0.5x15mm		4X
HW5	Screw: M6 x0.5 x60 mm		2X
HW6	Wood dow : M10x 35		2X
HW7	Allen key 4		2X

PREPARATION

- *Before beginning assembly of product, make sure all parts are present. Compare parts with package contents list and hardware contents list.
- *If any part is missing or damaged, do not attempt to assemble the product.
- * Estimated Assembly Time : 10 minutes.
- * Tools Required for Assembly (included): Allen Key
- * If you are having difficulty, our friendly Customer care team is always here to help.

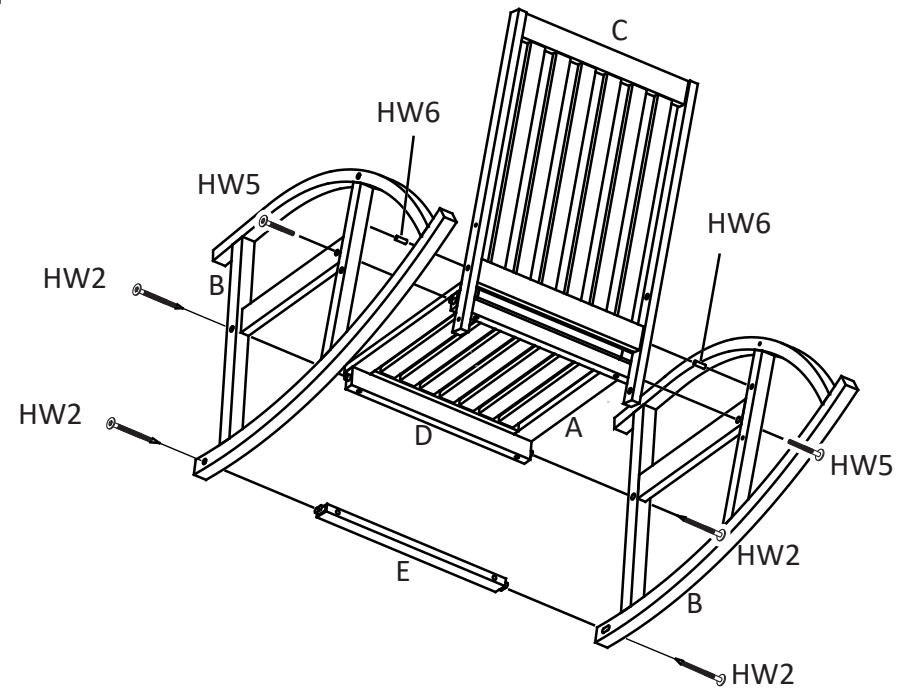
1



Step 1

Attach seat frame (A) to crossbars of leg (D), use screws (HW1) and tighten with allen key (HW7)

2



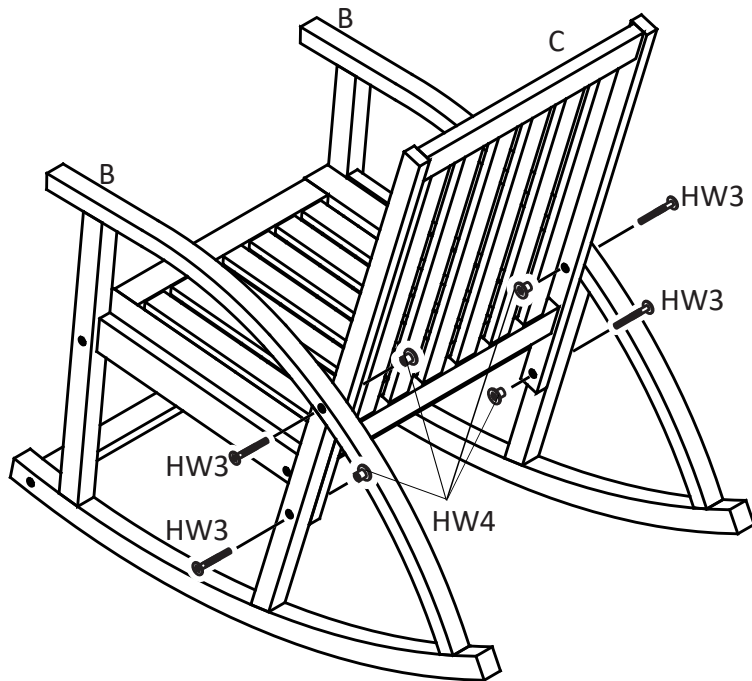
Step 2

Insert wood dowels (HW6) into the holes on (C), attach (B) to (A) by using (HW5), then use (HW2) to connect (B) and (E).

PREPARATION

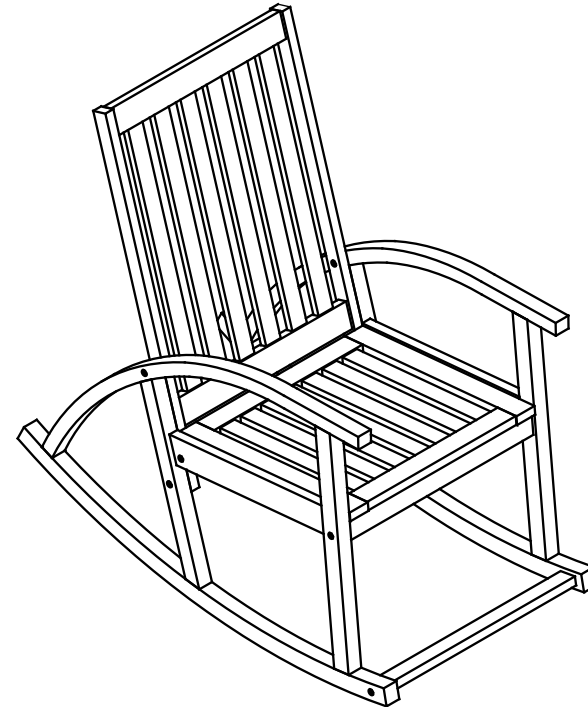
- *Before beginning assembly of product, make sure all parts are present. Compare parts with package contents list and hardware contents list.
- *If any part is missing or damaged, do not attempt to assemble the product.
- * Estimated Assembly Time : 10 minutes.
- * Tools Required for Assembly (included): Allen Key
- * If you are having difficulty, our friendly Customer care team is always here to help.

3



Step 3
Use allen bolts (HW3) and sleeve nut (HW4) to connect (C) and (B).

4



Step 4
Complete.