

FULL MOTION WALL MOUNT

FOR LCD, PLASMA, and LED DISPLAYS

UA-PRO110

INSTRUCTION MANUAL

SPECIFICATIONS

Display Size: 17" - 42"

Maximum Load: 20 kg (44 lbs)

Mounting Pattern: 100 mm x 100 mm, 200 mm x 100 mm, 200 mm x 200 mm

Tilt Range: 5° up to 15° down

Pan/Swivel Range: up to 180°

Profile: 5.5 cm - 36.2 cm (2.2" - 14.3")

BOX CONTENTS

- Mount (x1)
- Instruction Manual (x1)
- Plastic Cover (x2)
- Hardware Kit (x1)

WARNINGS

- 1 Read these instructions before you begin.** If you are unsure of any part of the process, contact a professional contractor or installer for assistance. Improper installation can result in injury or damage.
- 2** The wall or mounting surface must be capable of supporting the combined weight of the mount and the display; if not, the structure must be reinforced.
- 3** Locate pipes, wires, or any other hazards in the wall where you wish to install the mount before drilling.
- 4** Safety gear and proper tools must be used. Failure to do so can result in injury or damage.
- 5** Two people are recommended for installation. Do not attempt to lift a heavy display without assistance.
- 6** Follow all instructions and recommendations regarding adequate ventilation and suitable locations for mounting your display. Consult the owner's manual for your particular display for more information.

⚠ CAUTION: This wall mount is intended for use only with the maximum weight of 20 kg (44 lbs). Use with heavier than the maximum weights indicated may result in instability causing possible injury.

TOOLS REQUIRED

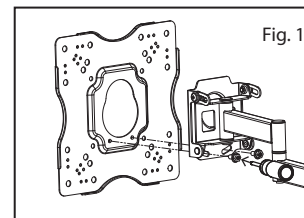
- Phillips Head Screw Driver
- Electric or Portable Drill
- 3 mm (1/8") Drill Bit and Stud Finder for Drywall Installation
- 8 mm (5/16") Masonry Bit for Concrete Installation
- Level

HARDWARE KIT

- | | |
|--------------------------|------------------------|
| (A) Drywall Screw (x2) | (H) M6 x 15 Screw (x4) |
| (B) Washer (x2) | (I) M8 x 15 Screw (x4) |
| (C) Concrete Anchor (x2) | (J) M8 x 30 Screw (x4) |
| (D) M4 x 15 Screw (x4) | (K) M8 x 50 Screw (x4) |
| (E) M4 x 50 Screw (x4) | (L) M8 Washer (x4) |
| (F) M5 x 15 Screw (x4) | (M) Spacer (x4) |
| (G) M5 Washer (x4) | (N) S4 Allen Key (x1) |

PREPARATION

Prepare the mount for installation by disassembling the display plate from the mount. Do this by removing the safety screws as shown (see Fig.1). Place the screws in a safe location.



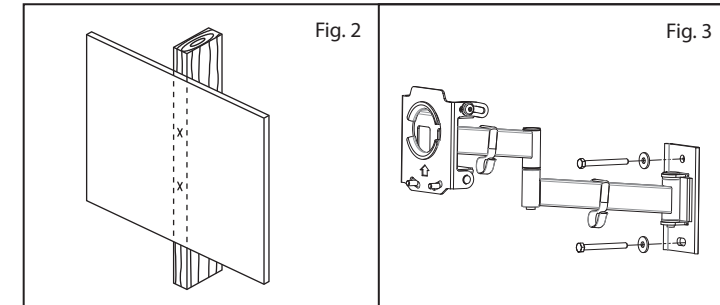
INSTALLATION

Part 1A – Mounting to the Wall (Drywall)

IMPORTANT! For safety reasons, this mount must be secured to a wood stud capable of supporting the combined weight of the mount and display. Do not mount to drywall alone.

Part 1A – Mounting to the Wall (Drywall) (continued)

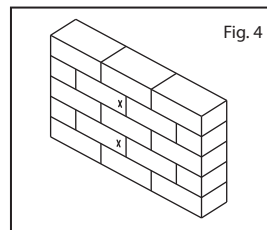
- 1** Use a high quality stud finder to locate a stud where you wish to install your mount. Mark both edges of the stud to help identify the exact center.
- NOTE:** You must use the center of the stud to avoid cracking or splitting the wood during installation.
- 2** Place the mount against the wall over the marked stud. Make sure it is level and right side up.
- 3** Mark two locations (one top and one bottom) at the center of the stud for securing the mount to the wall (see Fig. 2) and set it aside.
- 4** Drill a 3 mm (1/8") pilot hole at each marked location.
- 5** Place the mount back against the wall and attach it using the drywall screws (A) and two of the washers (B) provided (see Fig. 3). **Do not over-tighten these screws.** Ensure that the mount remains level after both screws are secured.



Part 1B – Mounting to the Wall (Concrete)

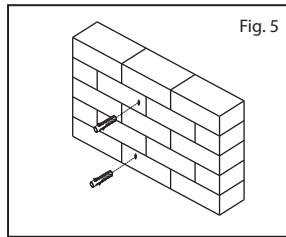
IMPORTANT! For safety reasons, the concrete wall must be capable of supporting the combined weight of the mount and the display. The manufacturer takes no responsibility for failure caused by walls of insufficient strength.

- 1** Place the mount against the wall in the desired location. Make sure it is level and right side up.
- 2** Mark two locations (one top and one bottom) for securing the mount to the wall (see Fig. 4) and set it aside.
- 3** Drill an 8 mm (5/16") hole at each marked location. Remove any excess dust from the holes.
- 4** Insert a concrete anchor (C) into each hole so that it is flush with the concrete surface (see Fig.5). A hammer can be used to lightly tap the anchors into place if necessary.



Part 1B – Mounting to the Wall (Concrete) (continued)

NOTE: If the concrete wall is covered by a layer of plaster or drywall, the concrete anchor must pass completely through the layer to rest flush with the concrete surface.



- Place the mount back against the wall and attach it using the drywall screws (A) and two of the washers (B) provided (see Fig. 3). **Do not over-tighten these screws.** Ensure that the mount remains level after both screws are secured.

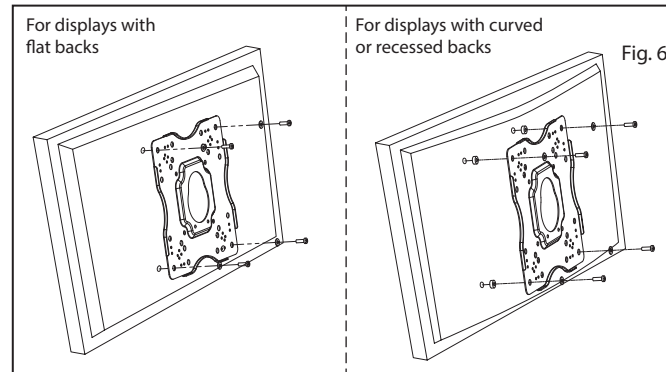
Part 2 – Attaching the Display Plate to the Display

IMPORTANT! Use extra care during this part of the installation. If possible, avoid placing your display facedown as it may damage the viewing surface.

NOTE: This mount comes with a selection of different screws to accommodate a wide variety of display models. Not all of the hardware in the kit will be used. If you cannot find the appropriate screw size in the kit provided, consult the manufacturer of your display for more information.

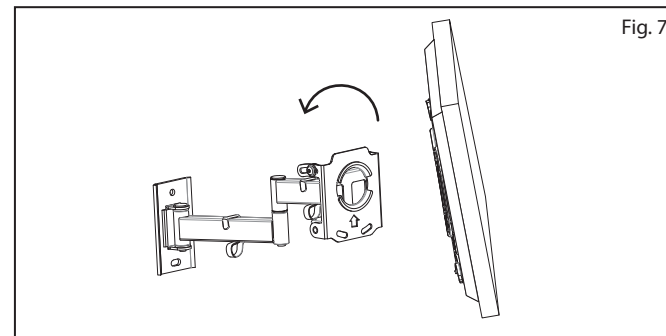
- Determine the correct length of screw to use by again examining the back of your display:
 - If the back of your display is flat and the mounting holes are flush with the surface, you will use the shorter screws (D or F or H or I) from the hardware kit.
 - If the back of your display is curved, has a protrusion, or if the mounting holes are recessed, you will need to use the longer screws (E or J or K) and may also need to use the spacers (M).
- Determine the correct diameter of screw to use by carefully trying one of each size (M4, M5, M6 and M8) from the hardware kit. **Do not force any of the screws – if you feel resistance stop immediately and try a smaller diameter screw.**
- Place the display plate over the back of the display and line it up with the holes in the display. Make sure the display plate is orientated as shown in the illustration.
- Attach the display plate to your display using the screws identified in steps 1 and 2 along with four of the washers (G or L). If you are using the longer screws on a display with a curved or recessed back, you may also need to use the spacers (M) (see Fig. 6). **Only use a spacer if necessary.**

Part 2 – Attaching the Display Plate to the Display (continued)



Part 3 – Final Assembly

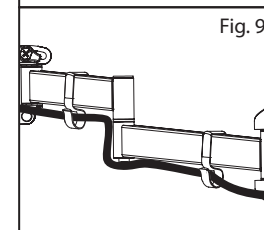
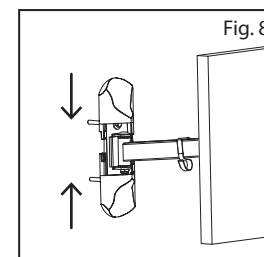
- To complete the installation, carefully place the display plate with your display attached on the mount as shown (see Fig. 7). **Do not release the display until the display plate is securely placed on the mount.**



- Replace the safety screws removed in preparation step and tighten.

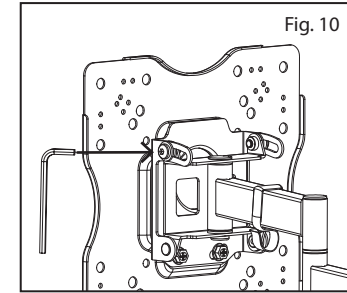
IMPORTANT! This screw should be tightened at all times to prevent the display from being accidentally knocked from the mount.

- Attach the plastic covers by sliding them onto the mount as shown (see Fig. 8) and locking them together.
- Cables can be routed through the hook located on the mount to keep them organized and out of the way (see Fig. 9).



OPERATION AND ADJUSTMENT

- To change the tilt angle of your display, have one person hold the display firmly in place while another person loosens the tilt adjustment screws located on each side of the mount using the S4 Allen Key (N) from the hardware kit (see Fig. 10). Once loosened, you may move your display to the desired position. Re-tighten the screws to lock the tilt angle in place. **Do not release the display until these screws are fully tightened and never fully loosen or remove these screws.**



IMPORTANT! Never fully loosen or remove the screws while operating the mount.

- Swivel adjustments can be made simply by moving your display to the desired position.
- To make level correction adjustments, have one person hold the display firmly in place while another person slightly loosens the safety screws as shown in the illustration using the screw driver (see Fig. 11). Rotate the screen until level and then re-tighten the safety screws. **Never fully loosen or remove these screws.**
- Periodically clean your mount with a dry cloth. Inspect all screws and hardware at regular intervals to ensure that no connections have become loose over time. Re-tighten as

