

# User Manual

## Easy as ① ② ③

### Assembly Instructions

Numbers Must Match for Secure Assembly

① ② ③ & ④

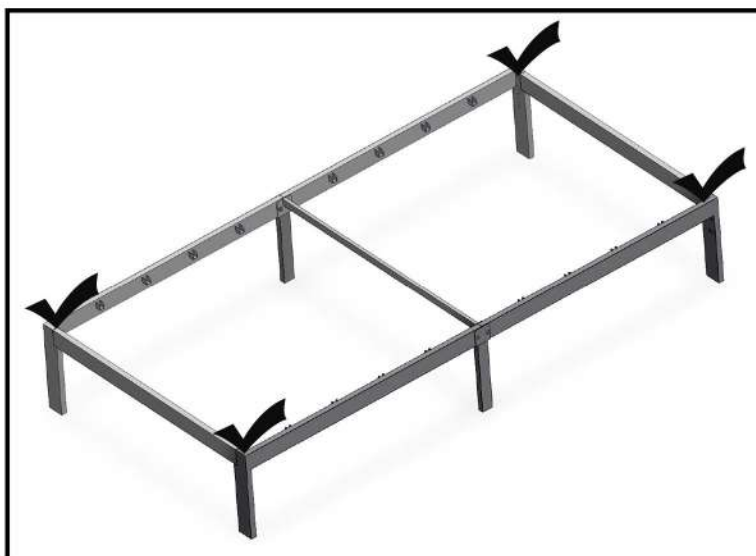
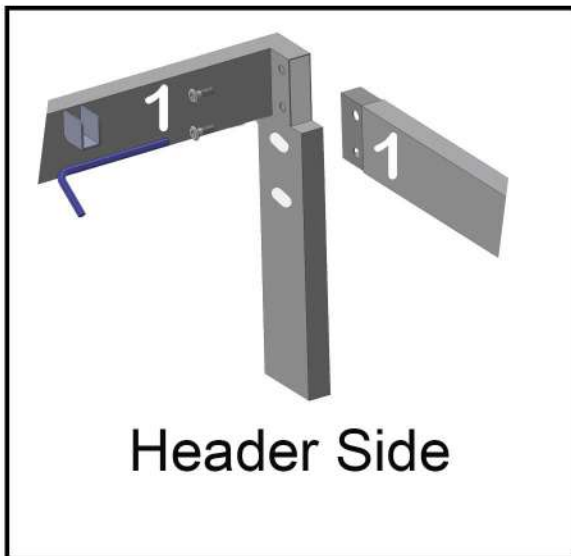
**TWIN**



**Metal Frame Bed**

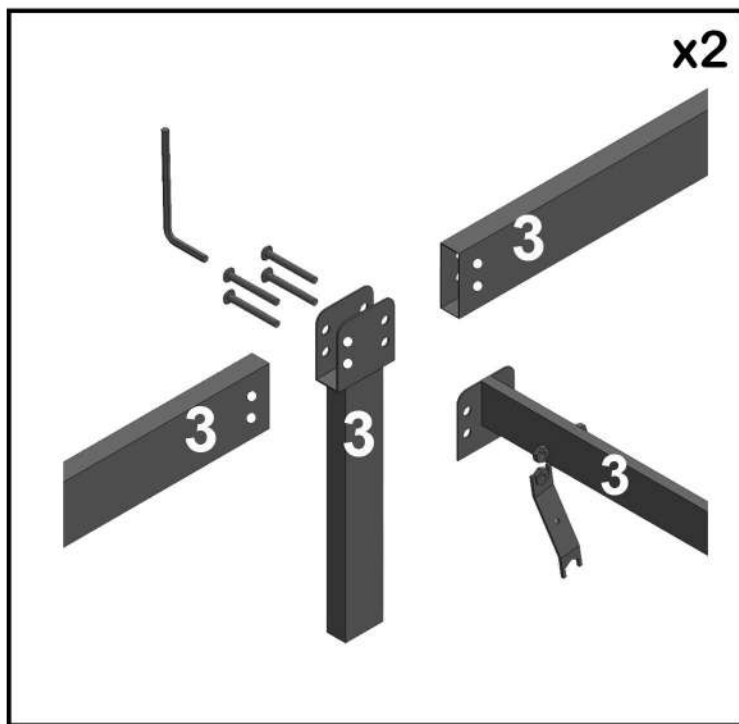
Available in Twin, Full, Queen and King sizes  
(with & without headboard)

#### Step 1 & 2 (Connecting Side Rails with clamp bars)



1. To connect side rails with clamp bars you need to match number stickers 1-1 (Header Side) and 2-2 (Footer Side).
2. Please use small screws (S) to connect all four corners of your bed frame.
3. Use allen key clock wise to tighten these screws.

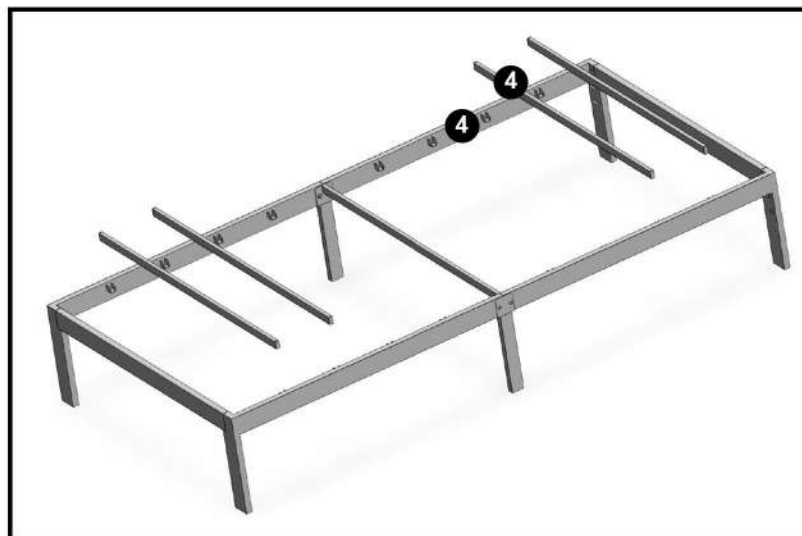
### Step 3 (Connecting Side Rails, middle leg & middle slat)



1. To connect side rails, middle leg & middle slat you need to match number stickers 3-3.
2. Please use large screw (L) along with nuts to connect all four parts.
3. Use allen key clock wise to tighten these screws and use spanner to hold the nuts.
4. Use same method to connect other side of middle slat.

### Step 4 (Placing slats on your bed frame)

1. Place remaining slats on the brackets given on side rails matching the number stickers 4-4.



2. Peel off the upper strip of anti-skid tape and place your mattress.
3. Your bed frame is now ready for a good night sleep.