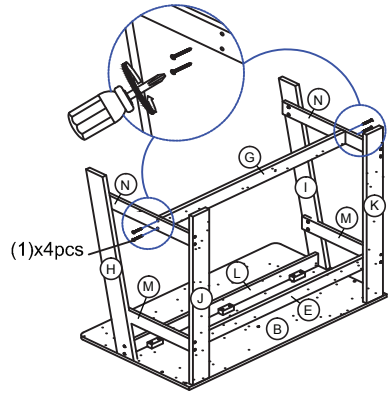
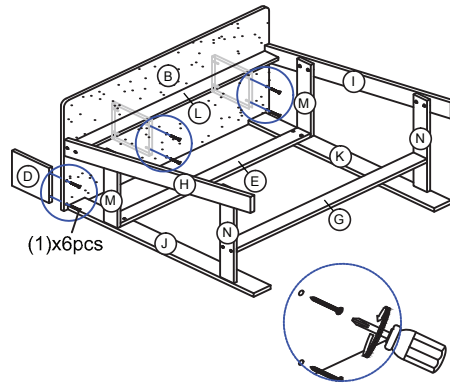


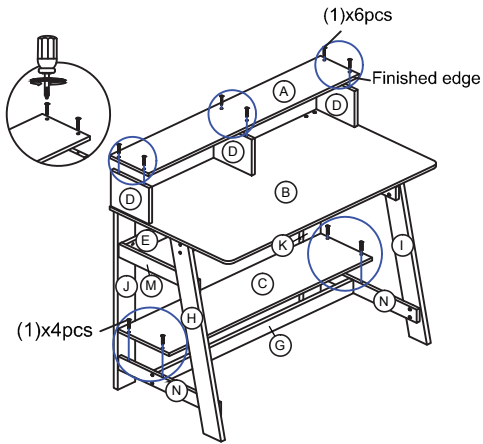
STEP 7



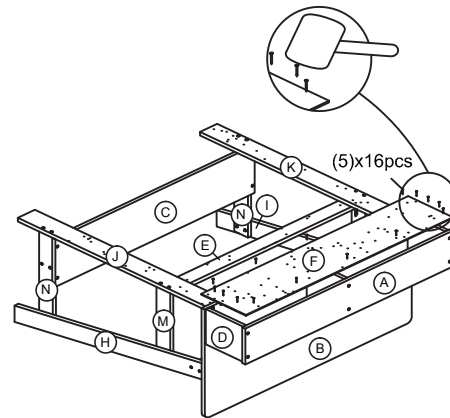
STEP 8



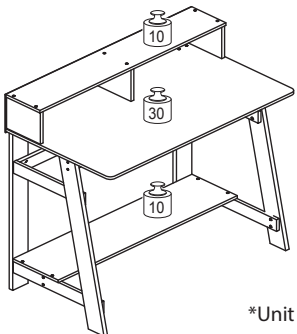
STEP 9



STEP 10



Recommended Maximum Weight



*Unit in Pound(lbs)

WARNING:

>This unit has been designed to support the maximum loads shown. Exceeding these load limits could cause sagging, instability, product collapse, and/or serious injury.

>DO NOT allow children to climb on unit.

>Put heavier items on lower shelves.

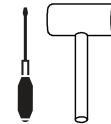
Assembly Instruction

00:30

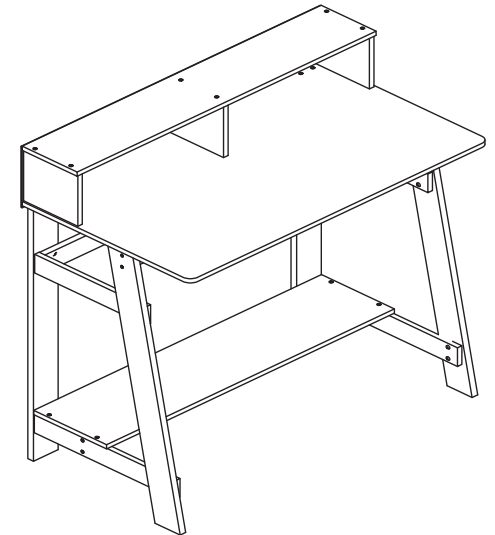
Approx. 30 minutes



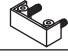




Recomm. 2 Person

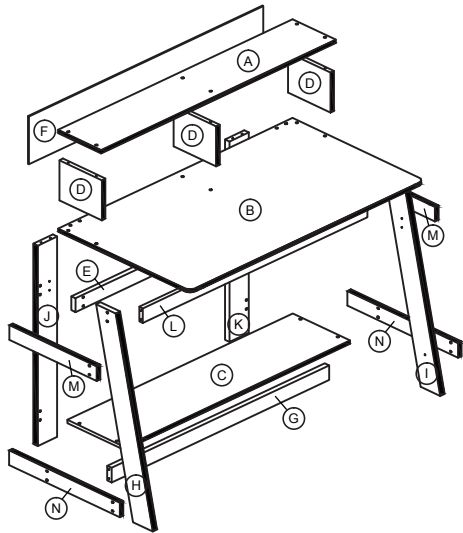


Tool Required



| No | Hardware List | Qty |
|----|--|-------|
| 1 | 38mm C/B Screw  | 36pcs |
| 2 | Tapping Screw  | 12pcs |
| 3 | 45mm Bracket  | 3pcs |
| 4 | 25mm CSK Screw  | 6pcs |
| 5 | Power Pin  | 16pcs |

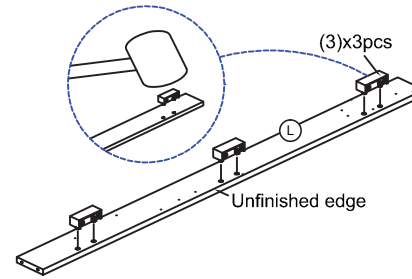
| No | Parts List | Qty |
|----|----------------------------|------|
| A | Upper Top Panel | 1pc |
| B | Top Panel | 1pc |
| C | Bottom Panel | 1pc |
| D | Upper Side Panel | 3pcs |
| E | Bottom Back Support Panel | 1pc |
| F | Upper Back Panel | 1pc |
| G | Leg Support Panel | 1pc |
| H | Bottom Left Side Panel | 1pc |
| I | Bottom Right Side Panel | 1pc |
| J | Bottom Left Back Panel | 1pc |
| K | Bottom Right Back Panel | 1pc |
| L | Bottom Front Support Panel | 1pc |
| M | Center Side Support Panel | 2pcs |
| N | Bottom Side Support Panel | 2pcs |



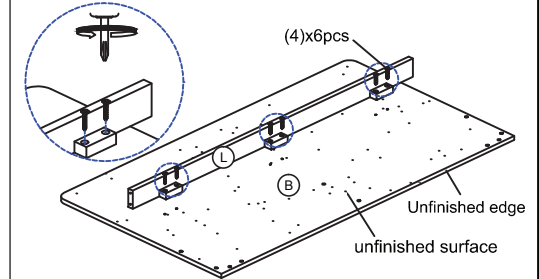
USEFUL HINTS BEFORE YOU START:

1. Read each step carefully before starting.
2. It is important that each step is performed in correct order to avoid difficulties.
3. Identify, sort and count the parts before assembly.
4. Assemble your furniture on packaging cardboard to prevent scratch or damage.
5. Clean the product with mild cleanser using soft damped cloth. Do not use harsh or abrasive cleanser.
6. Using incompatible hardware might cause damage to product.

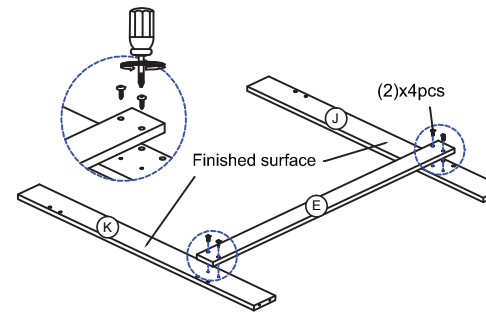
STEP 1



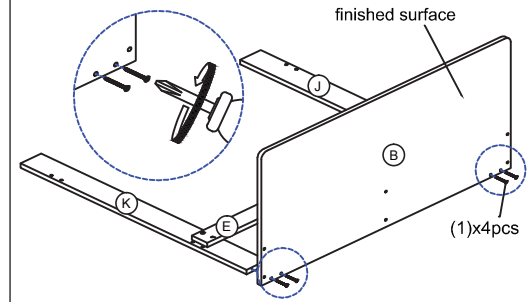
STEP 2



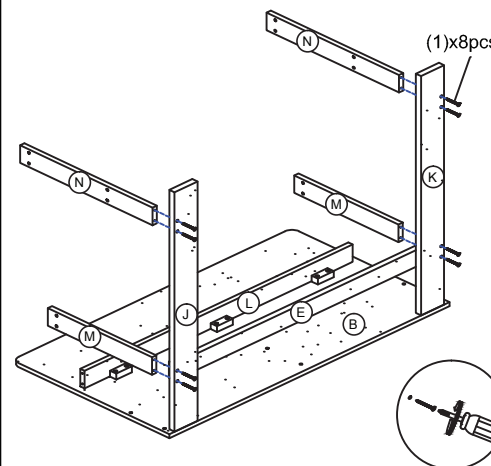
STEP 3



STEP 4



STEP 5



STEP 6

