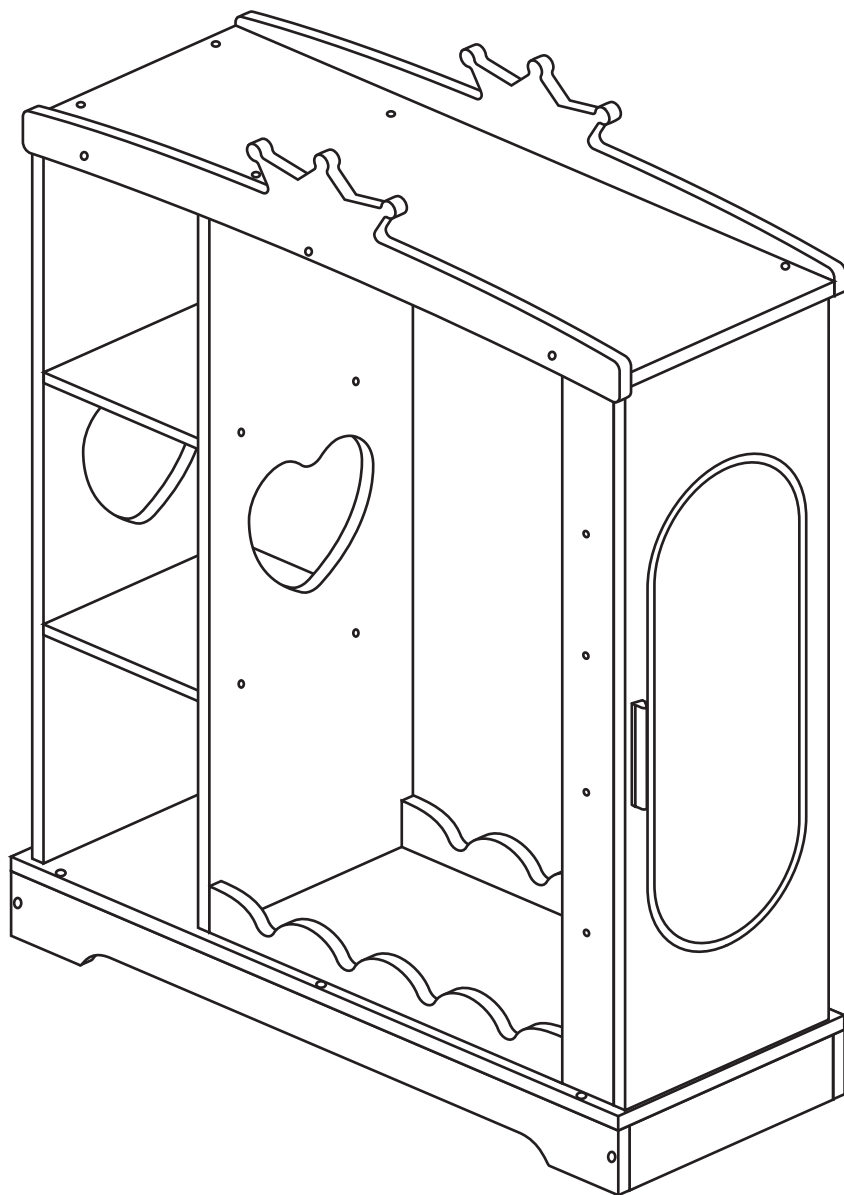
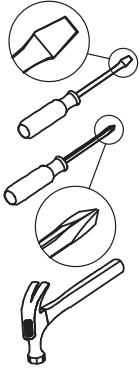


ASSEMBLY INSTRUCTIONS



If you have any question about the installation, please do not hesitate to contact us, we will reply to you within 24 hours and do our best to help you solve all problems.

Before You Start



- ✓ Read through each step carefully and follow the proper order
- ✓ Separate and count all your parts and hardware
- ✓ Give yourself enough room for the assembly process
- ✓ Have the following tools: Flat Head Screwdriver, #2 Phillips Head Screwdriver and Hammer
- ✓ Caution: If using a power drill or power screwdriver for screwing, please be aware of to slow down and stop when screw is tight. Failure to do so may result in stripping the screw. (Assembly speed can be increased by using electric screwdriver)

Helpful Hints

PEOPLE NEEDED FOR ASSEMBLY: 1-2

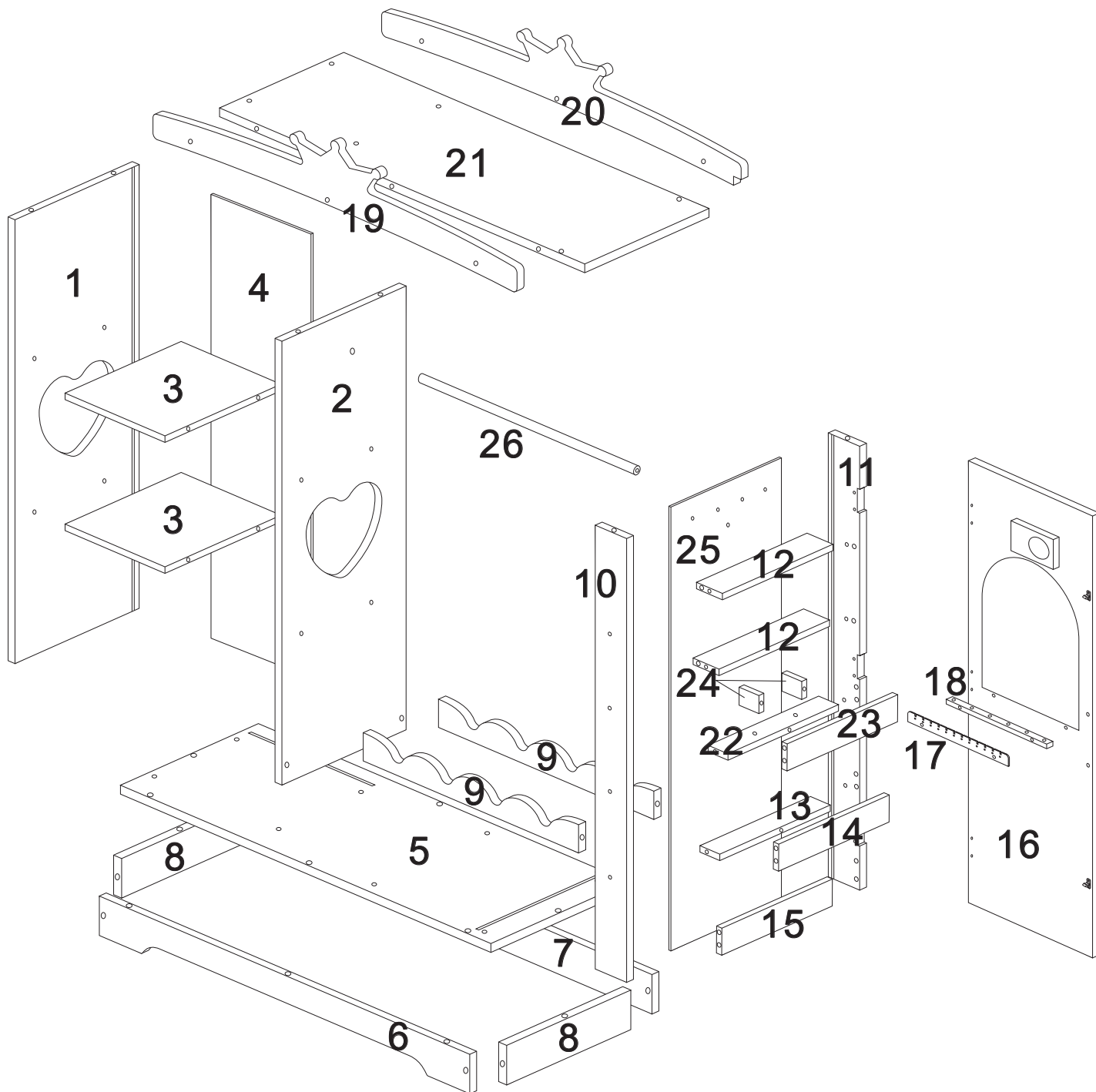
- Open your item in the area you plan to keep it to avoid excessive heavy lifting.
- Identify, sort and count the parts before attempting assembly.
- Compression dowels are lightly tapped in with a hammer.
- Slides are labeled with an **R** (right) and **L** (left) for proper placement.
- Make sure to always face the point on the top of the Cam Lock towards the outer edge.
- If there is a back panel in the package, please install it to make sure your unit is complete and sturdy.
- Please fix all the screws provided for the back panel which can enhance product stability. If it is difficult to fix it when tightening, it can be fixed with the help of a hammer and then tightened.
- Do NOT use harsh chemicals or abrasive cleaners on this item.
- Never push, pull, or drag your furniture.





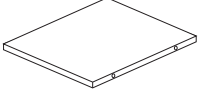

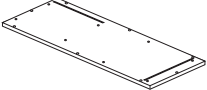
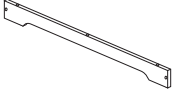
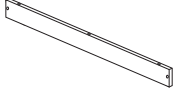
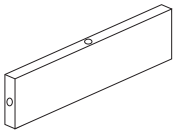



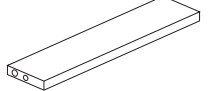
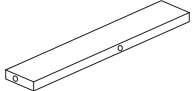
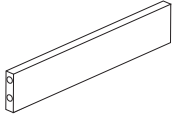
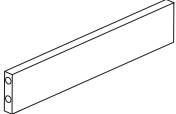

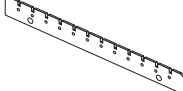
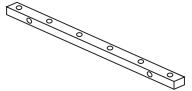
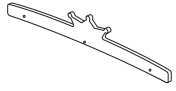
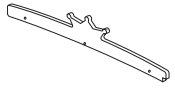
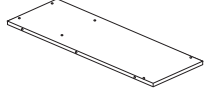
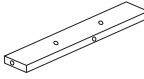
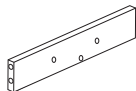
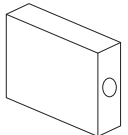


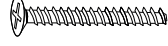




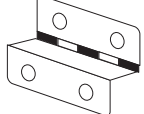

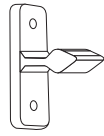
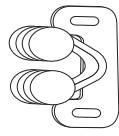
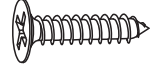
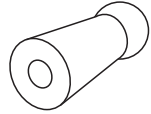
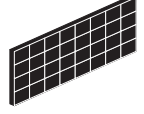
WARNING
CHOKING HAZARD-
Small parts. Not for children under 3 yrs.

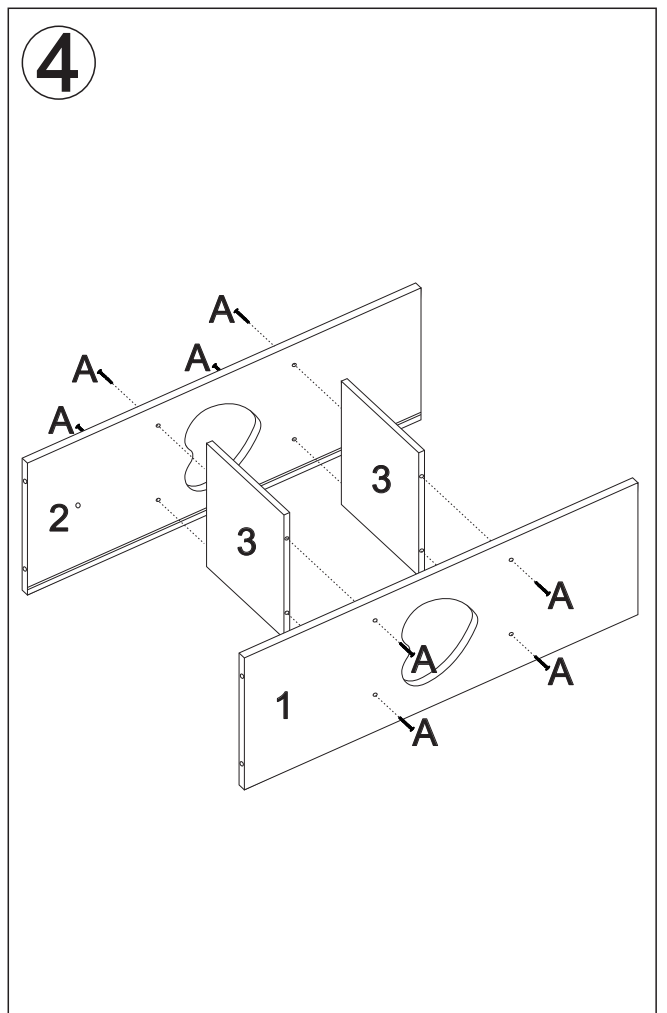
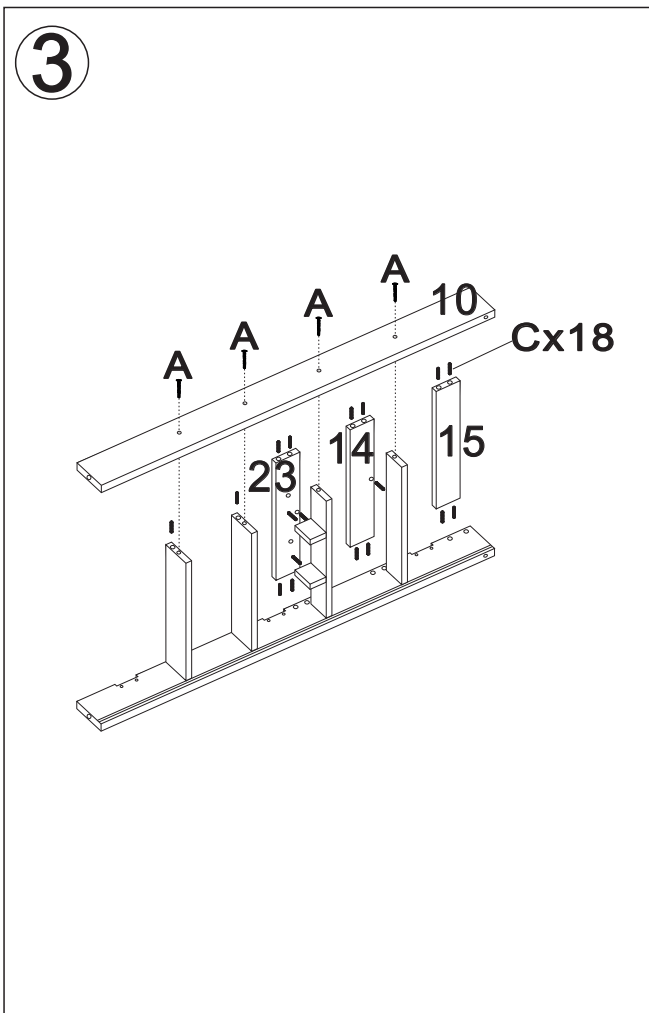
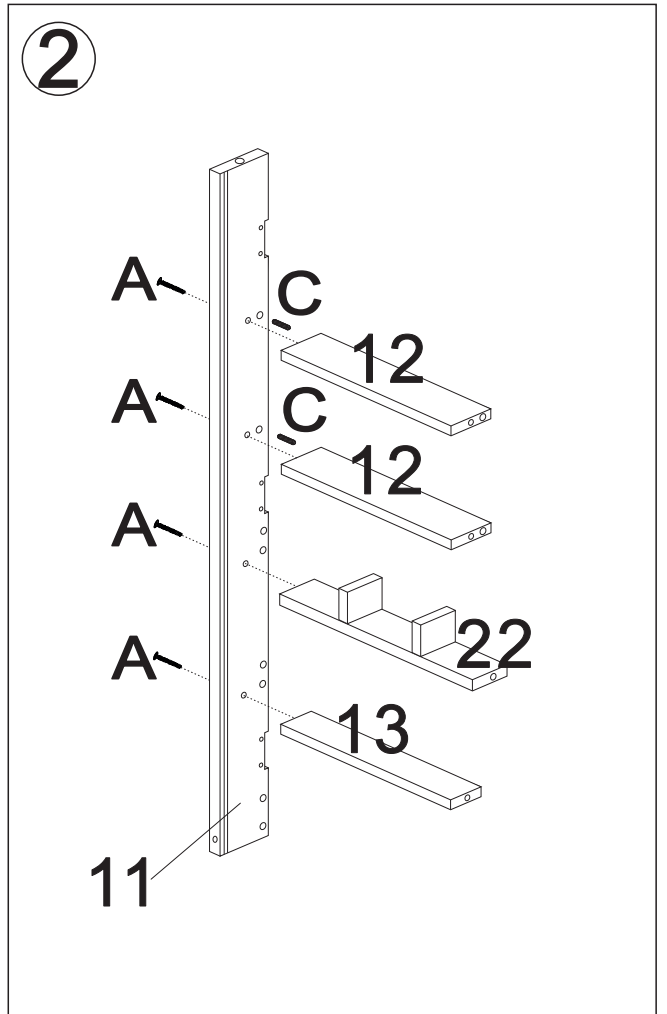
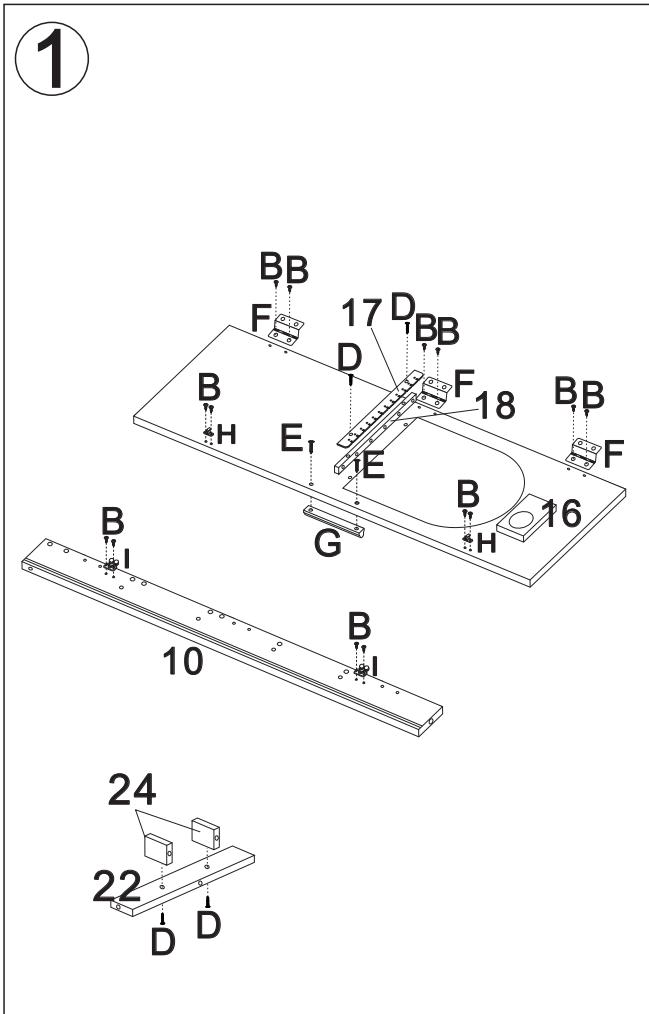
WARNING:
Assembly by an adult

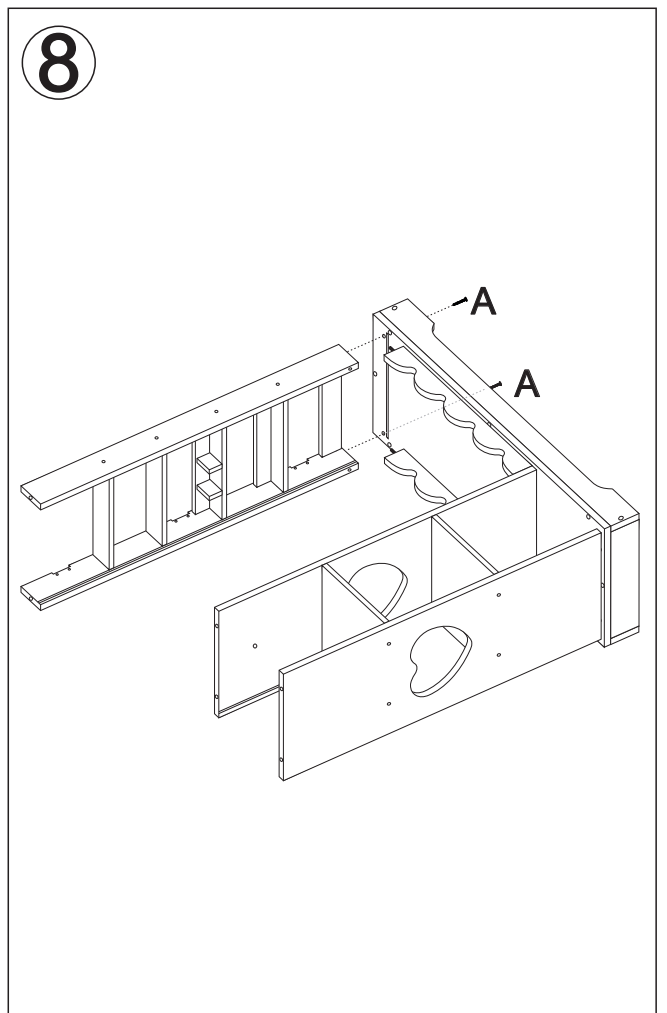
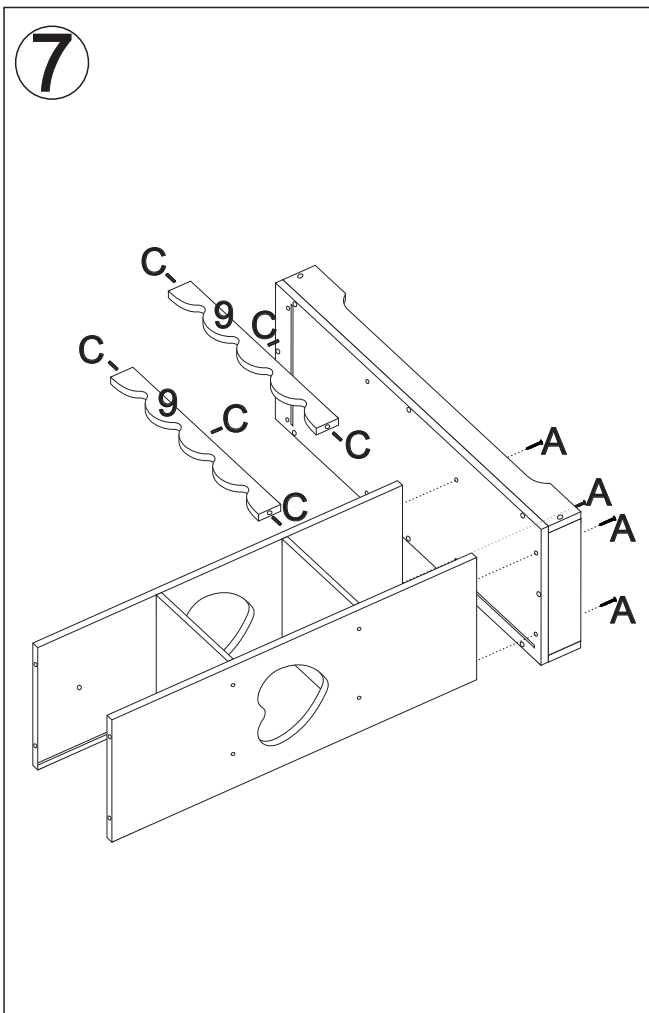
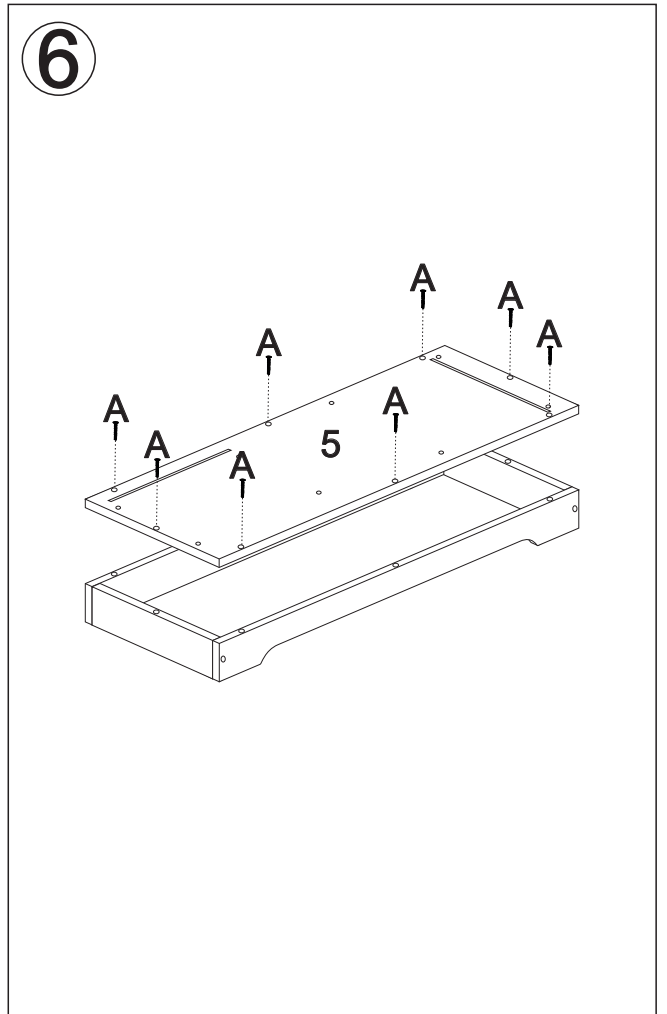
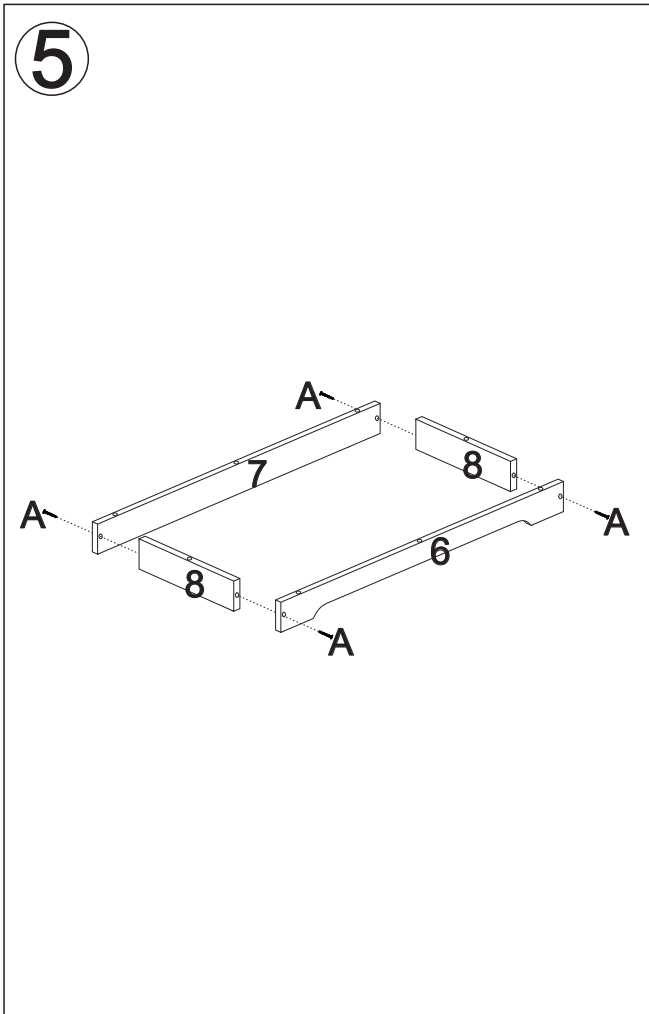
EXPLODED DRAWING

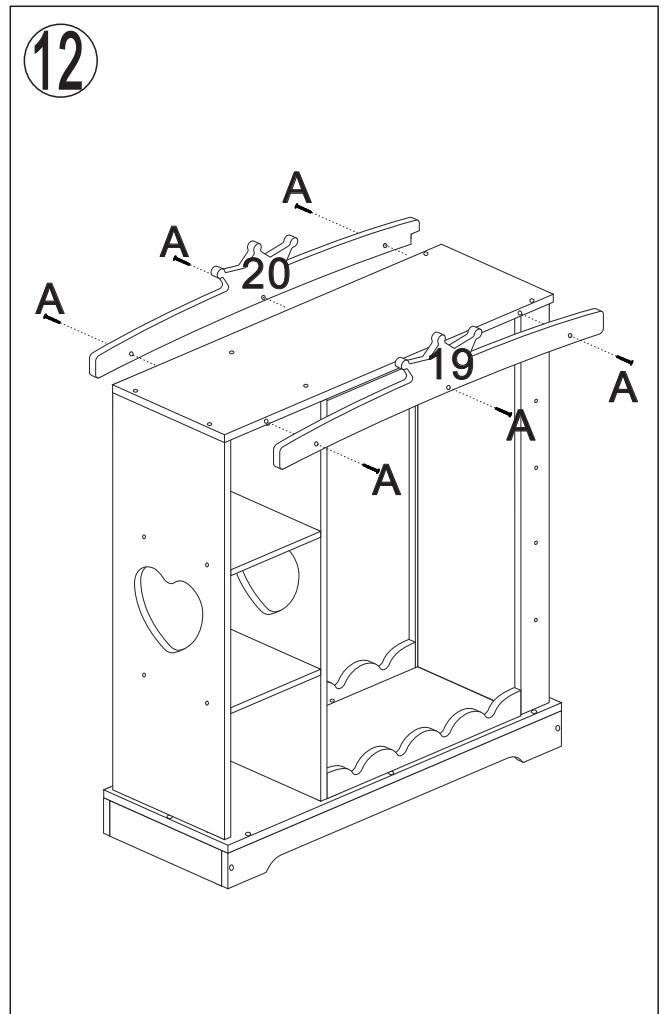
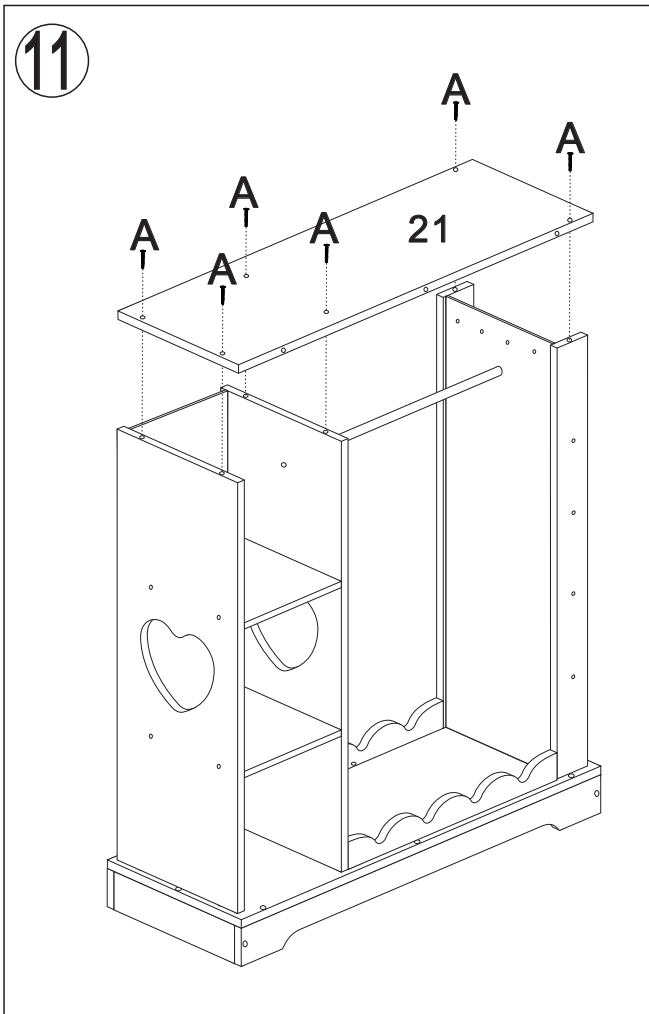
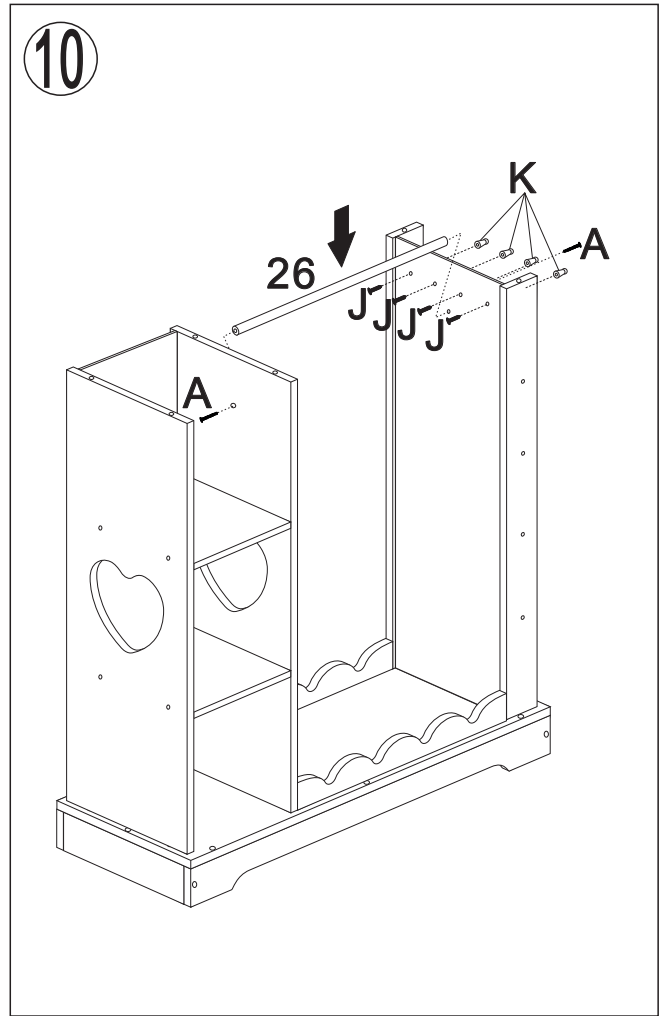
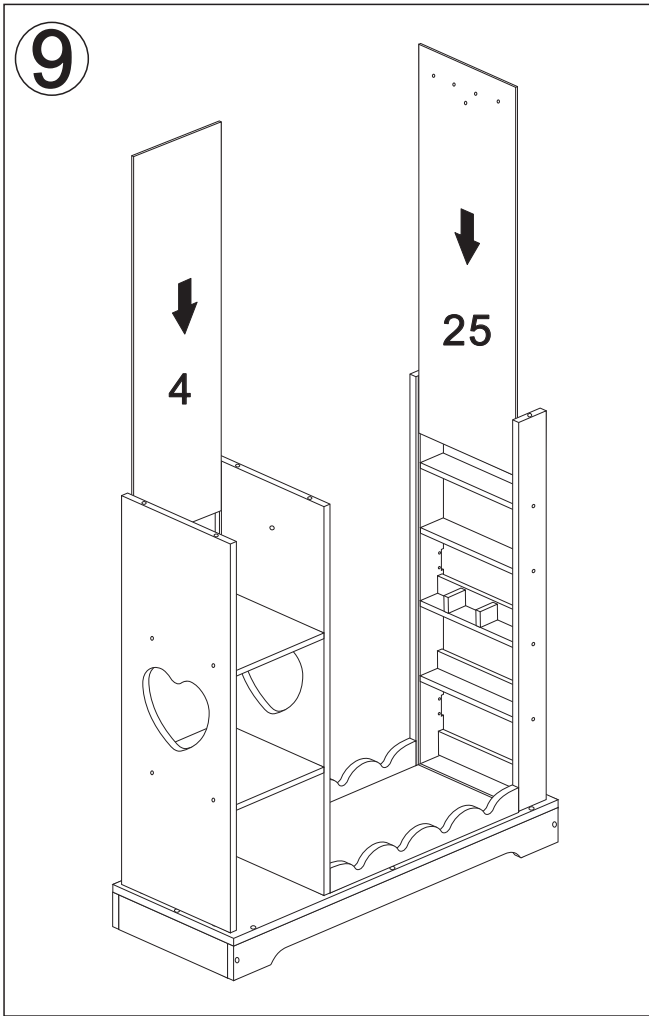


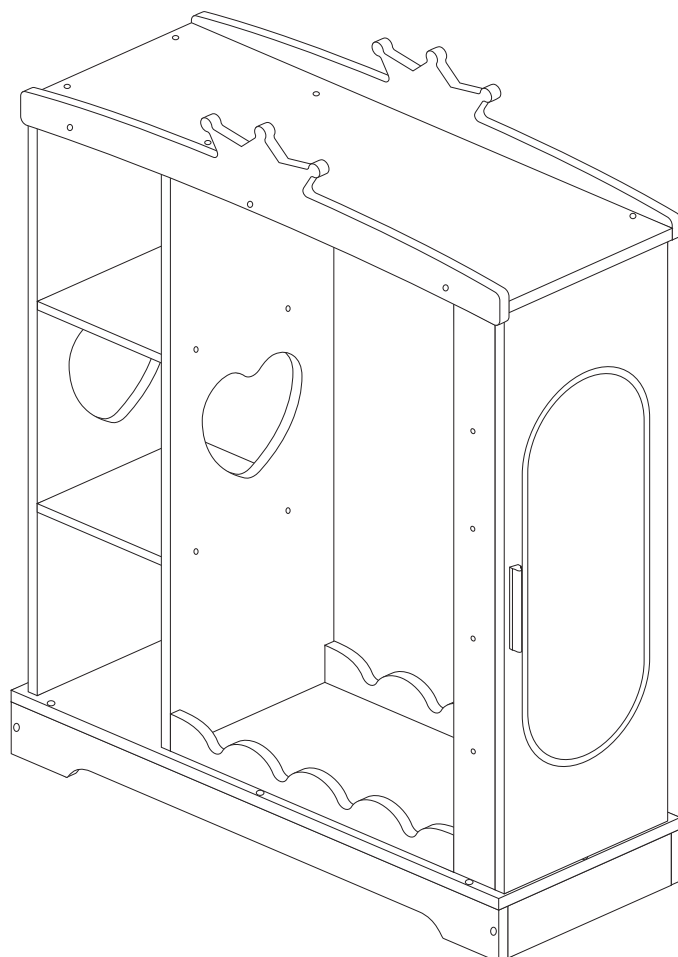
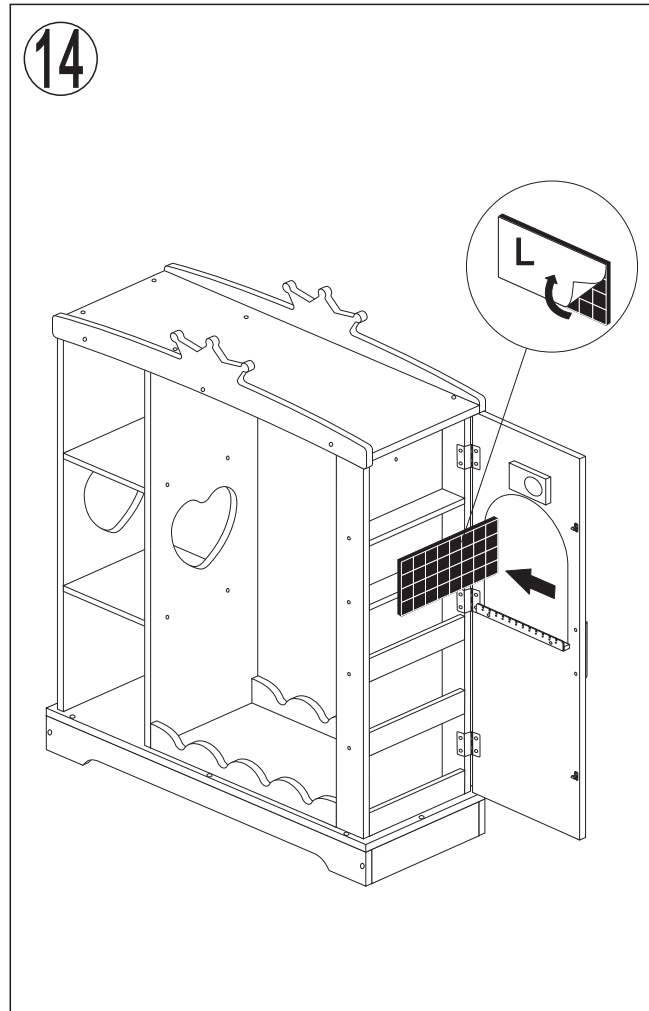
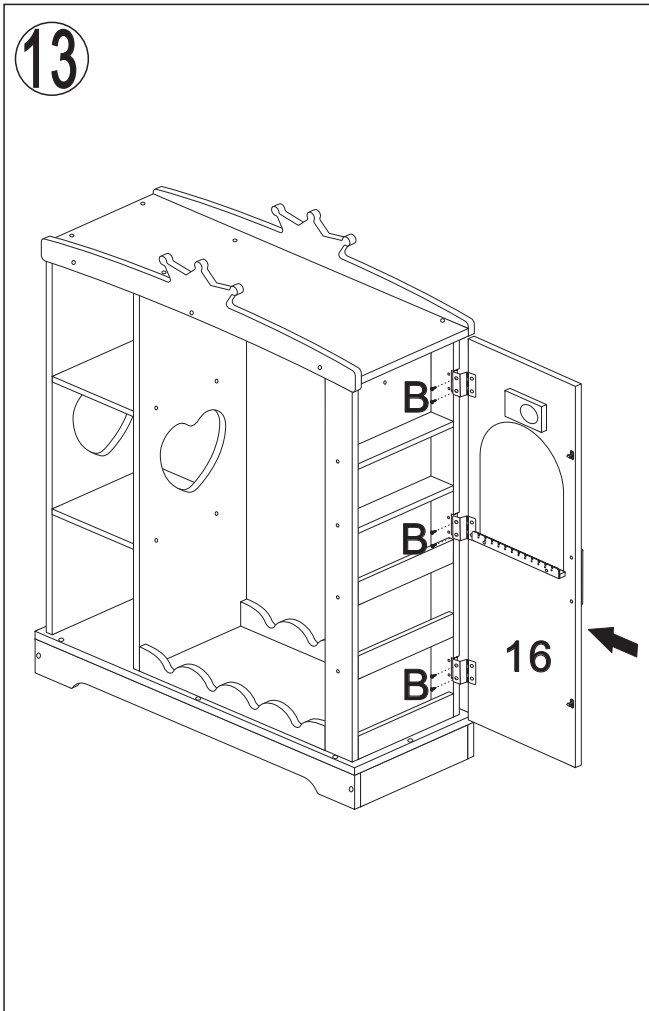
Part List

						
1: 1pc	2: 1pc	3: 2pcs	4: 1pc	5: 1pc	6: 1pc	
						
7: 1pc	8: 2pcs	9: 2pcs	10: 1pc	11: 1pc	12: 2pcs	
						
13: 1pc	14: 1pc	15: 1pc	16: 1pc	17: 1pc	18: 1pc	
						
19: 1pc	20: 1pc	21: 1pc	22: 1pc	23: 1pc	24: 2pcs	
		 Ø5x40mm A: 48pcs +4(spare)	 Ø3x10mm B: 20pcs +2(spare)	 Ø6x30mm C: 26pcs +2(spare)	 Ø4x35mm D: 4pcs	 Ø4x14mm E: 2pcs
25: 1pc	26: 1pc					
				 Ø3x16mm J: 4pcs		
F: 3pcs	G: 1pc	H: 2pcs	I: 2pcs		K: 4pcs	L: 1pc









AFTER-SALE SERVICE

If you have any suggestions for our products or find that the products have quality problems, please contact us first, our after-sales team will reply you within 24 hours, and we will do our best to give you solutions until you are satisfied.

Guaranteed Customer Service

Your shopping experience is very important to us!
Feel unsatisfied? **Contact us!**
Have any questions? **Contact us!**

Wanna share your experience with our products?
Share your pictures with us.

Any suggestions? **Contact us!**
We gotcha back!