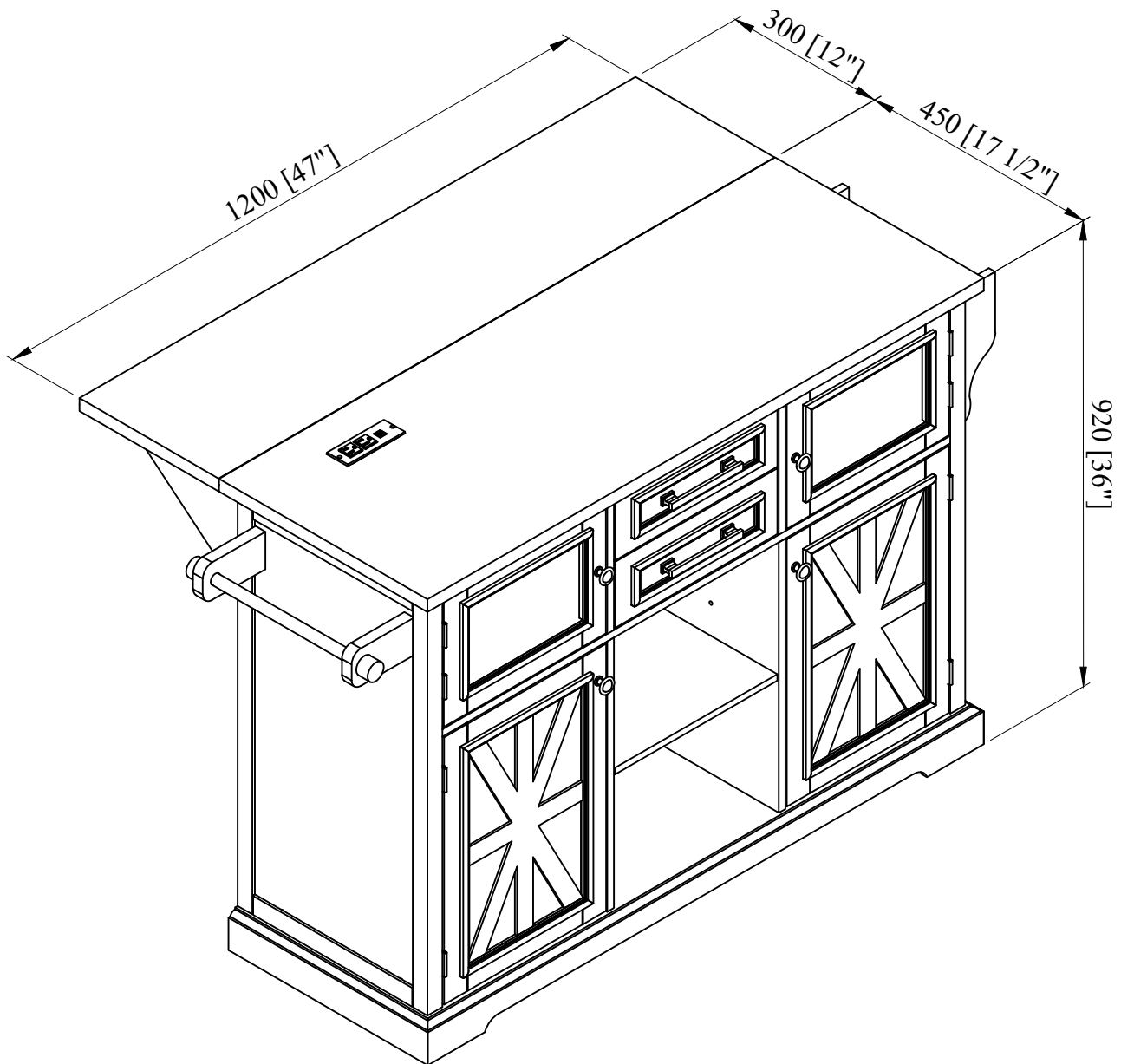


Kitchen Island Cart

Assembly Instructions - Please keep for future reference

N707P300277



Important - Please read these instructions fully before starting assembly



Safety and Care Advice

Important – Please read these instructions fully before starting assembly

- Check you have all the components and tools listed on the following pages.
- Remove all fittings from the plastic bags and separate them into their groups.
- Keep children and animals away from the work area, small parts could choke if swallowed.
- Make sure you have enough space to layout the parts before starting.

- During assembly do not stand or put weight on the product, this could cause damage.
- Assemble the item as close to its final position (in the same room) as possible.
- Assemble on a soft level surface to avoid damaging the unit or your floor.
- Parts of the assembly will be easier with 2 people.



power drill is set on a low torque setting.

- To reduce the likelihood of damaging your product please ensure that your

Care and maintenance

- Only clean using a damp cloth and mild detergent, do not use bleach or abrasive cleaners.
- From time to time check that there are no loose screws on this unit.
- This product should not be discarded with household waste. Take to your local authority waste disposal centre.

Handy Hints

- Assemble all parts and bolts loosely during assembly, only once the product is complete should you fully tighten the bolts
- Regularly check and ensure That all bolts and fittings are tightend properly.

WARNING
In order to help prevent overturning – please follow these instructions

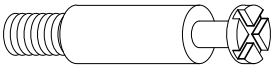
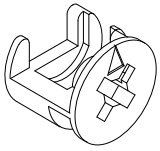
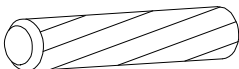

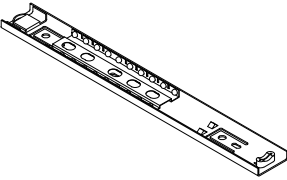
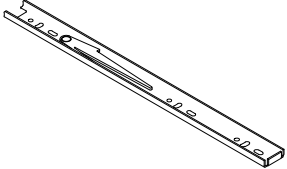
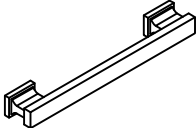
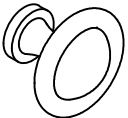
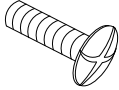
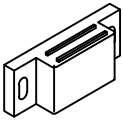

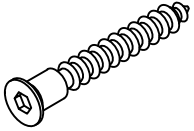
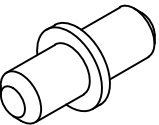
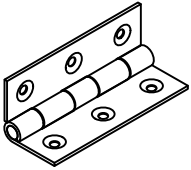
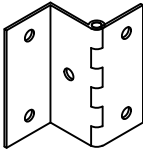

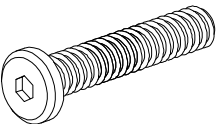
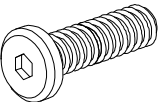
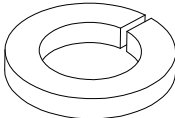
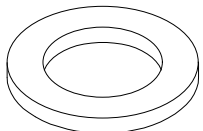
To help prevent product toppling over please follow the below steps:-

- Use the anti tip stap or wall fixing method provided (if applicable)
- Do not allow children to climb or hang on the furniture
- Do not open more than one drawer at a time
- Do not place heavy items in the top drawers
- Do not place heavy items on top of the furniture, unless the furniture has been designed for this purpose

Components - Fittings

Please check you have all the panels listed below


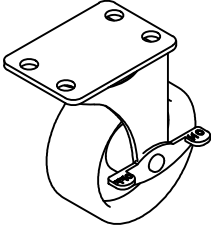
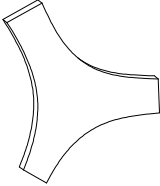
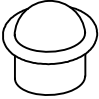
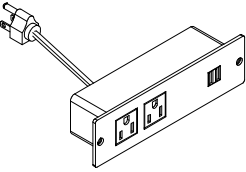

Note: The quantities below are the correct amount to complete the assembly. In some cases, more fittings may be supplied than required.

<p>A QTY: 46</p> 	<p>B QTY: 46</p> 	<p>C QTY: 40</p>  <p>Ø8*30mm</p>	<p>D QTY: 24</p>  <p>Ø6*12mm</p>
CAM BOLT	CAM LOCK	WOOD DOWEL	FLAT HEAD SCREW
<p>E QTY: 4</p> 	<p>F QTY: 4</p> 	<p>G QTY: 2</p> 	<p>H QTY: 4</p> 
BALL BEARING GLIDE	BALL BEARING GLIDE	HANDLE	KNOB
<p>I QTY: 8</p>  <p>Ø8*15mm</p>	<p>J QTY: 4</p> 	<p>K QTY: 4</p> 	<p>L QTY: 30</p>  <p>Ø10*45mm</p>
BOLT	MAGNET	MAGNET PLATE	ALLEN FLAT HEAD SCREW
<p>M QTY: 12</p> 	<p>N QTY: 7</p> 	<p>O QTY: 8</p> 	<p>P QTY: 94</p>  <p>Ø6*12mm</p>
SHELF PIN	HINGES	HINGES	FLAT HEAD SCREW
<p>Q QTY: 8</p>  <p>Ø1/4*38mm</p>	<p>R QTY: 16</p>  <p>Ø1/4*13mm</p>	<p>S QTY: 8</p> 	<p>T QTY: 8</p> 
BOLT	BOLT	SPRING WASHER	FLAT WASHER

Components - Fittings

Please check you have all the panels listed below

Note: The quantities below are the correct amount to complete the assembly. In some cases, more fittings may be supplied than required.

<p>U QTY: 1</p> 	<p>V QTY: 4</p> 	<p>W QTY: 1</p> 	<p>X QTY: 2</p> 
<p>ALLEN WRENCH</p>	<p>LOCK CASTER</p>	<p>CAM TOOL</p>	<p>SPRING BALL LATCH</p>
<p>Y QTY: 1</p> 	<p>Z QTY: 2</p>  <p>Ø7*15mm</p>		
<p>SOCKET</p>	<p>FLAT HEAD SCREW</p>		

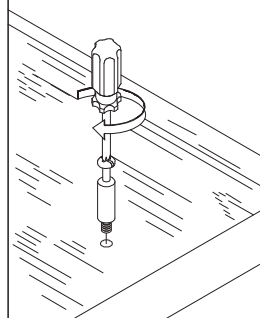
Using Camlocks

Step 1

Connect the male camlock as directed in the assembly instructions using a screwdriver.

1

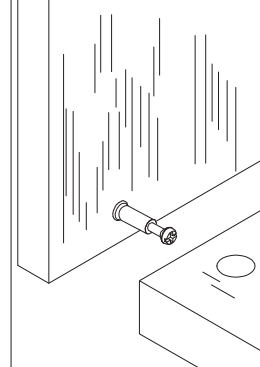
DO NOT OVER TIGHTEN.
NE PAS SERRER EXCESSIVEMENT.



Step 2

Push the male camlock into the entry hole.

2

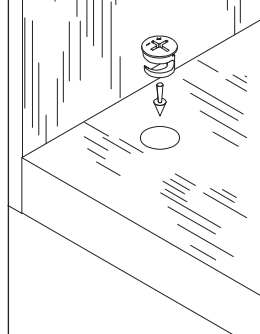


Step 3

Insert the female camlock as shown in the instruction.

Note: ensure that the arrow on the top of the camlock points towards the entry hole for the male camlock.

3



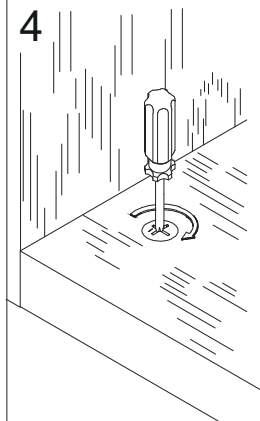
Step 4

Turn the female camlock clockwise with a screwdriver.

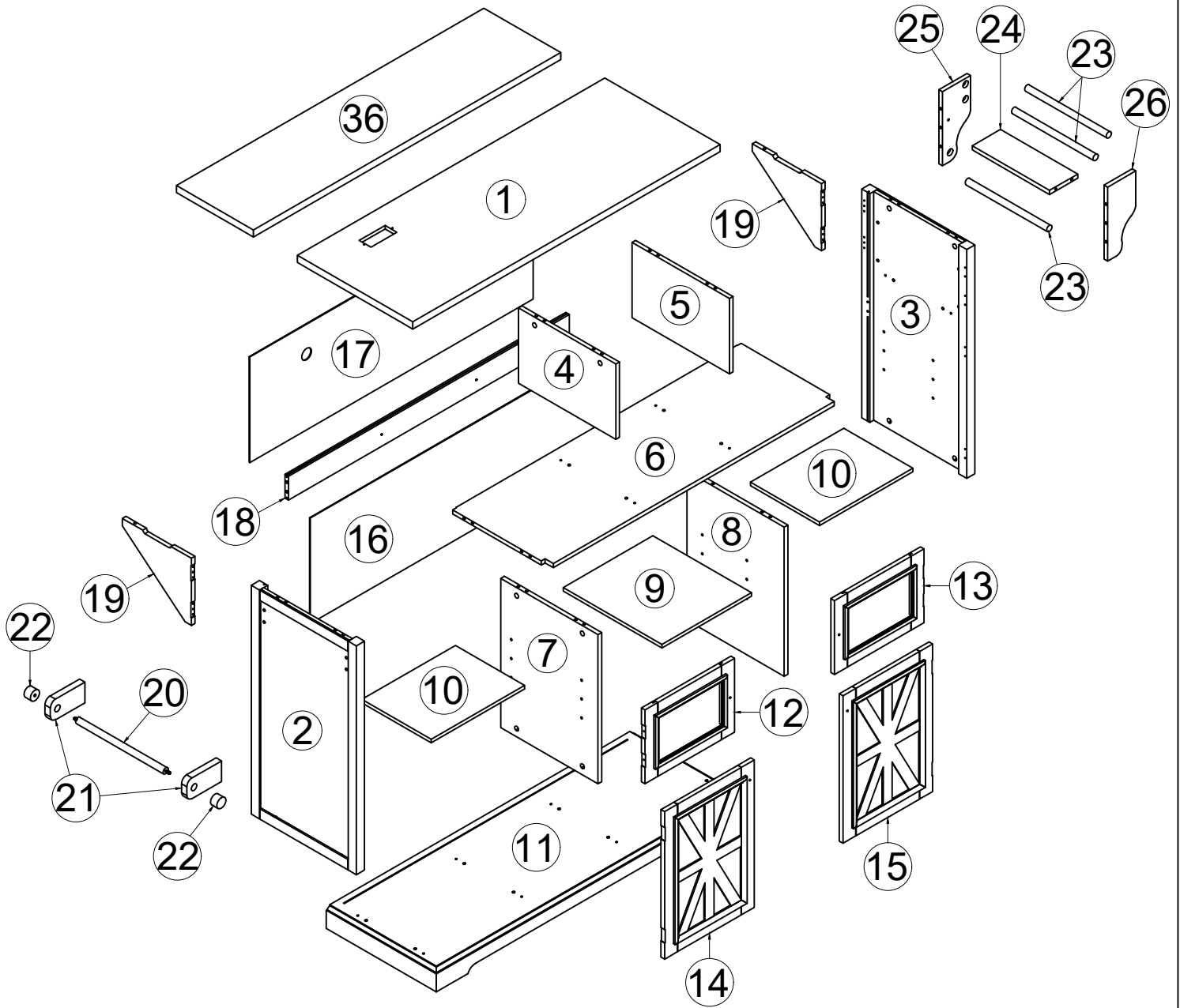
You should feel a click when the camlock is locked in place.

The joint is now secure.

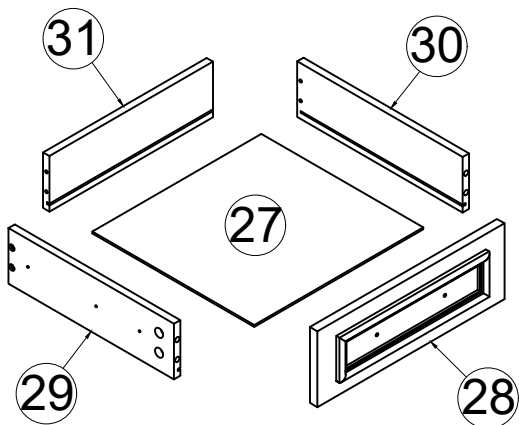
4



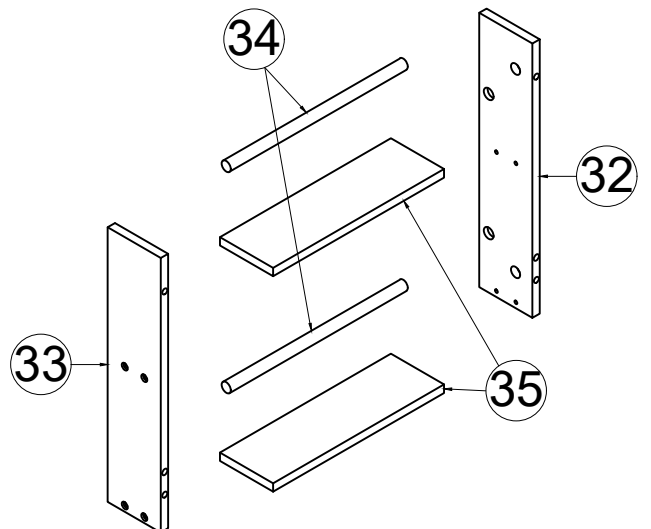
COMPONENTS - KEY DIAGRAM



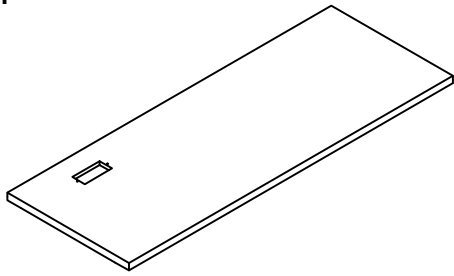
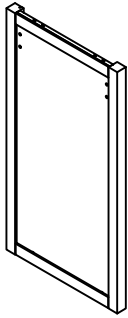
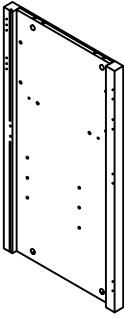
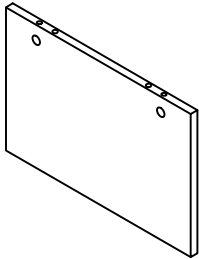
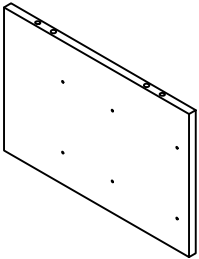
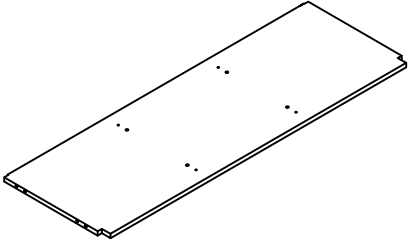
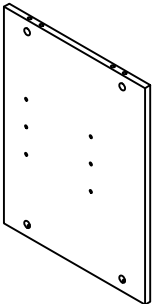
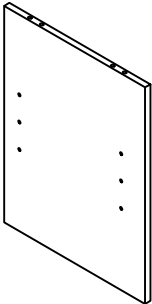
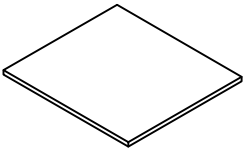
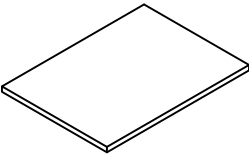
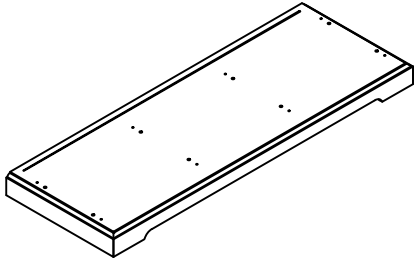
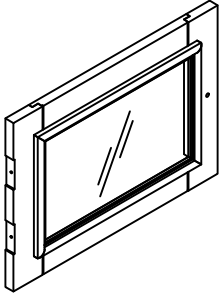
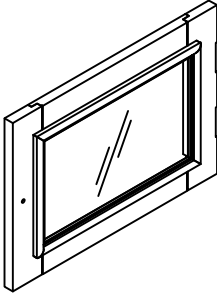
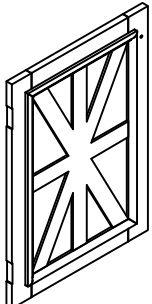
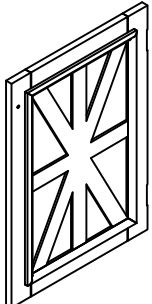
x2pcs



x2pcs

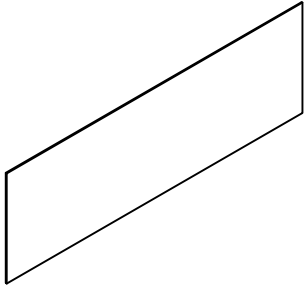


COMPONENTS - KEY DIAGRAM

<p>1</p> 	<p>2</p> 	<p>3</p> 
<p>TOP PANEL QTY: 1</p>	<p>LEFT FRAME QTY: 1</p>	<p>RIGHT FRAME QTY: 1</p>
<p>4</p> 	<p>5</p> 	<p>6</p> 
<p>TOP LEFT PARTITION QTY: 1</p>	<p>TOP RIGHT PARTITION QTY: 1</p>	<p>MIDDLE PANEL QTY: 1</p>
<p>7</p> 	<p>8</p> 	<p>9</p> 
<p>BOTTOM LEFT PARTITION QTY: 1</p>	<p>BOTTOM RIGHT PARTITION QTY: 1</p>	<p>MIDDLE SHELF PANEL QTY: 1</p>
<p>10</p> 	<p>11</p> 	<p>12</p> 
<p>SIDE SHELF PANEL QTY: 2</p>	<p>BOTTOM FRAME QTY: 1</p>	<p>TOP LEFT DOOR QTY: 1</p>
<p>13</p> 	<p>14</p> 	<p>15</p> 
<p>TOP RIGHT DOOR QTY: 1</p>	<p>BOTTOM LEFT DOOR QTY: 1</p>	<p>BOTTOM RIGHT DOOR QTY: 1</p>

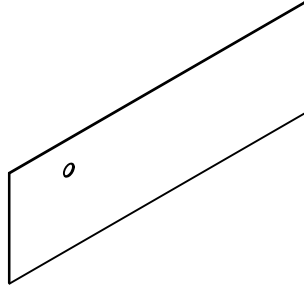
COMPONENTS - KEY DIAGRAM

16



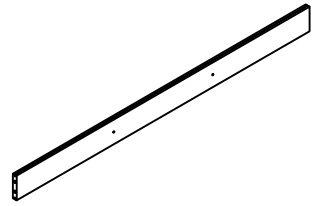
BOTTOM BACK PANEL QTY: 1

17



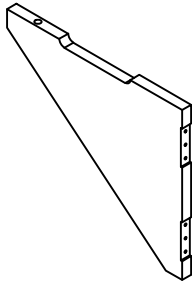
TOP BACK PANEL QTY: 1

18



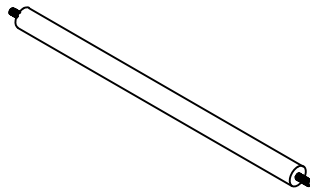
MIDDLE BACK PANEL QTY: 1

19



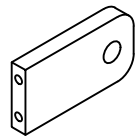
EXTENDED SUPPORT QTY: 2

20



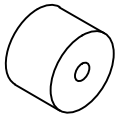
LEFT PULL BAR QTY: 1

21



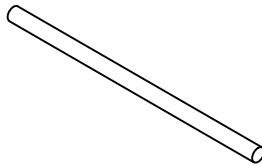
RIGHT BRACKET QTY: 2

22



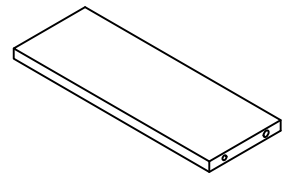
ROUND WOODEN KNOB QTY: 2

23



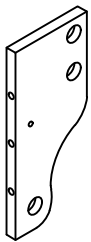
RIGHT PULL BAR QTY: 3

24



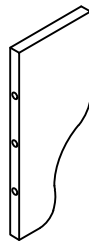
LEFT DOOR QTY: 1

25



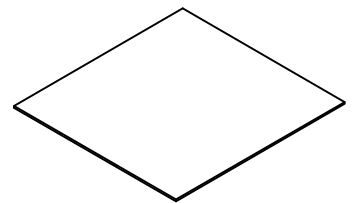
BRACKET - RIGHT QTY: 1

26



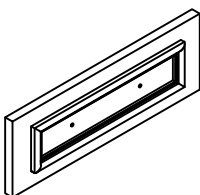
BRACKET - LEFT QTY: 1

27



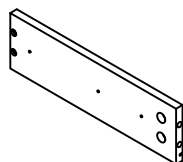
DRAWER BOTTOM QTY: 2

28



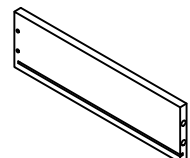
DRAWER FRONT QTY: 2

29



DRAWER SIDE - LEFT QTY: 2

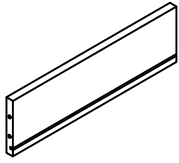
30



DRAWER SIDE - RIGHT QTY: 2

COMPONENTS - KEY DIAGRAM

31



DRAWER BACK

QTY: 2

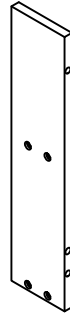
32



LEFT STAND SHELF DOOR

QTY: 2

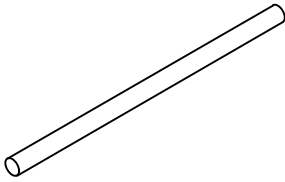
33



RIGHT STAND SHELF DOOR

QTY: 2

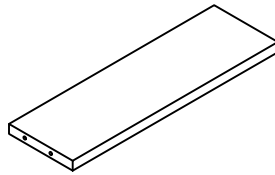
34



PULL BAR SHELF DOOR

QTY: 4

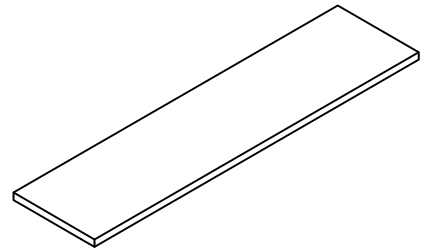
35



SHELF DOOR

QTY: 4

36



EXTENDED TOP PANEL

QTY: 1

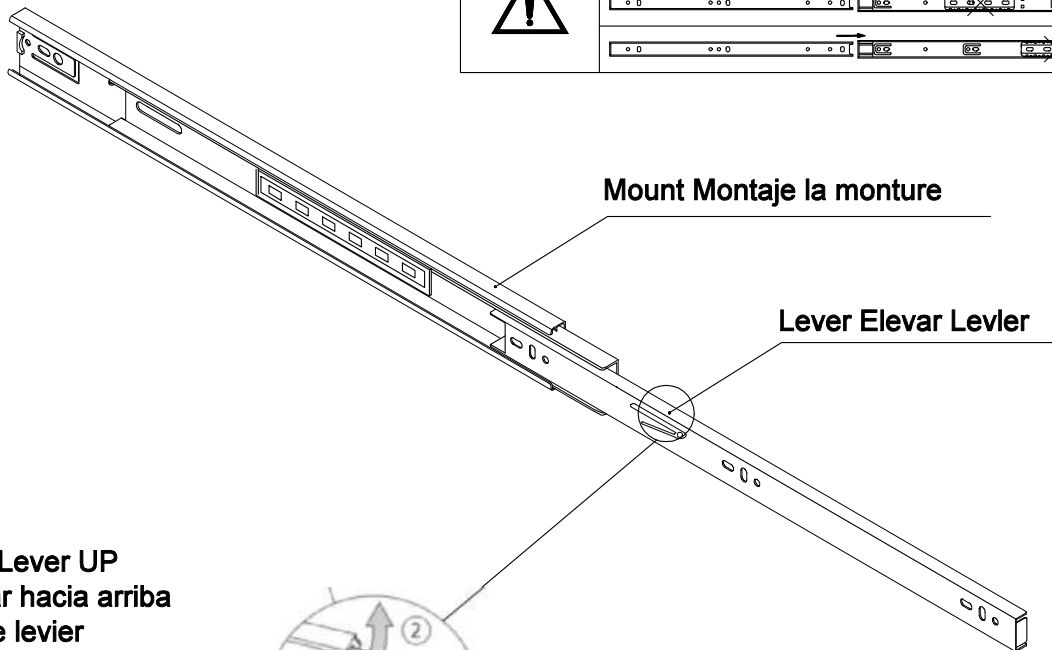
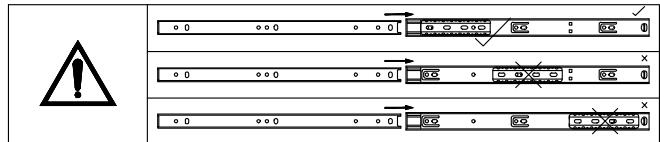
Slides Must Be Separated Before Assembly.
After Separated, Set Aside Until Needed for Assembly.

Las diapositivas deben separarse antes del montaje.
Después de la separación, déjelo a un lado hasta que sea necesario.

Les glissières doivent être séparées avant l'assemblage.
Après la séparation, mettez de côté jusqu'au moment de l'assemblage.

Pay attention when connecting !
The sliding module must be at the front end.

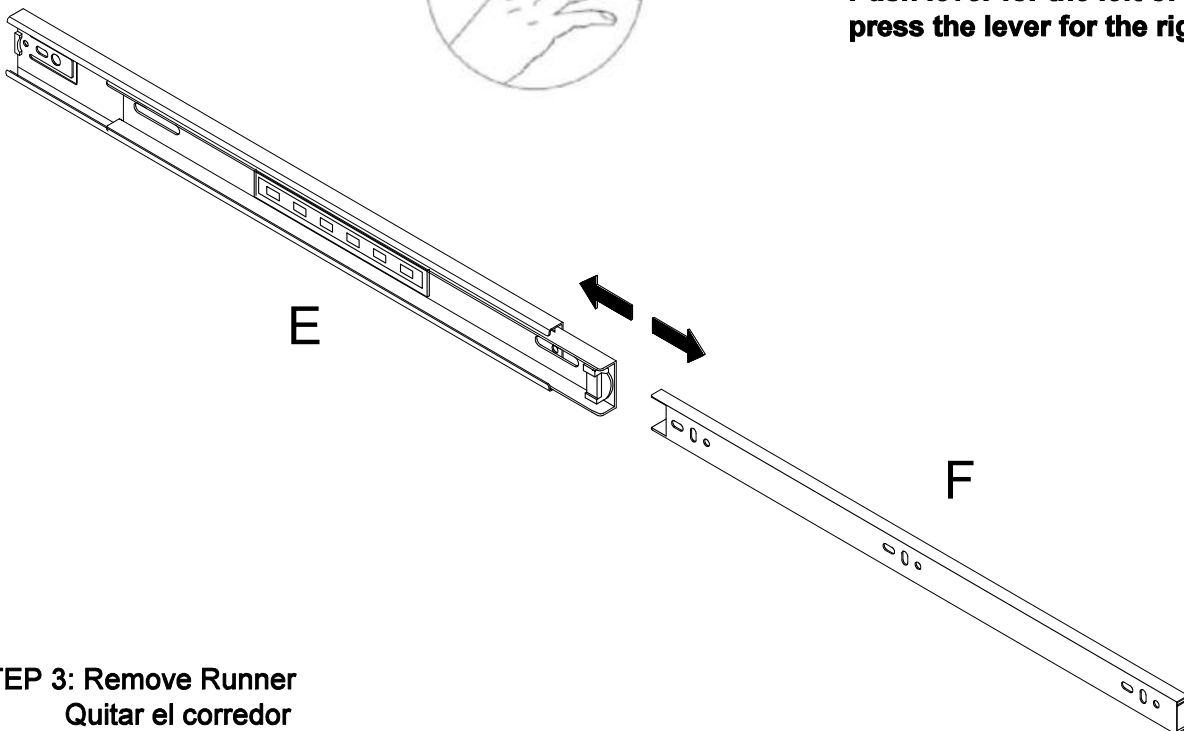
STEP 1 : Extend Slide
Extender la diapositiva



STEP 2: Push Lever UP
Empujar hacia arriba
Lever le levier



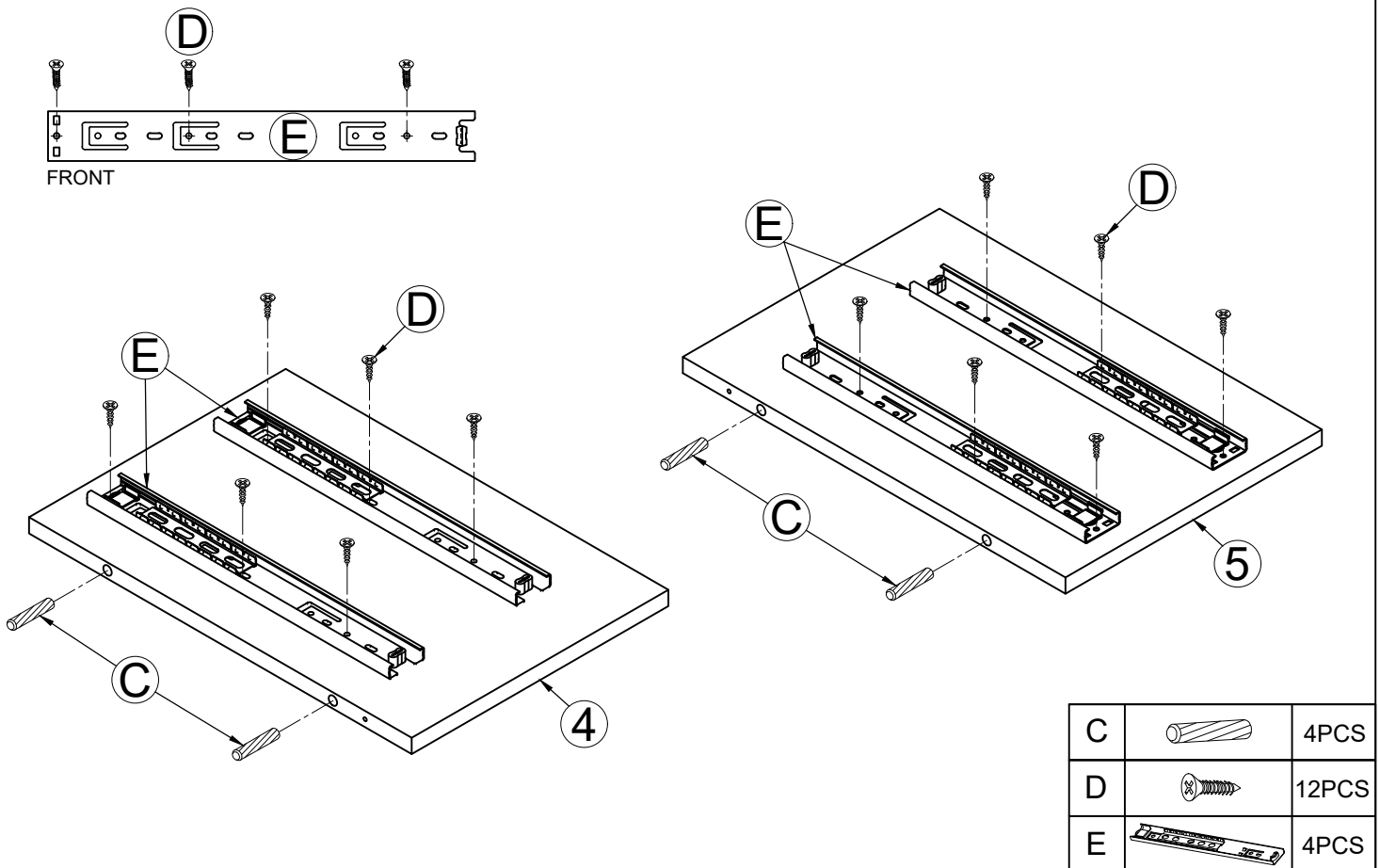
Push lever for the left of drawer ,
press the lever for the right of drawer.



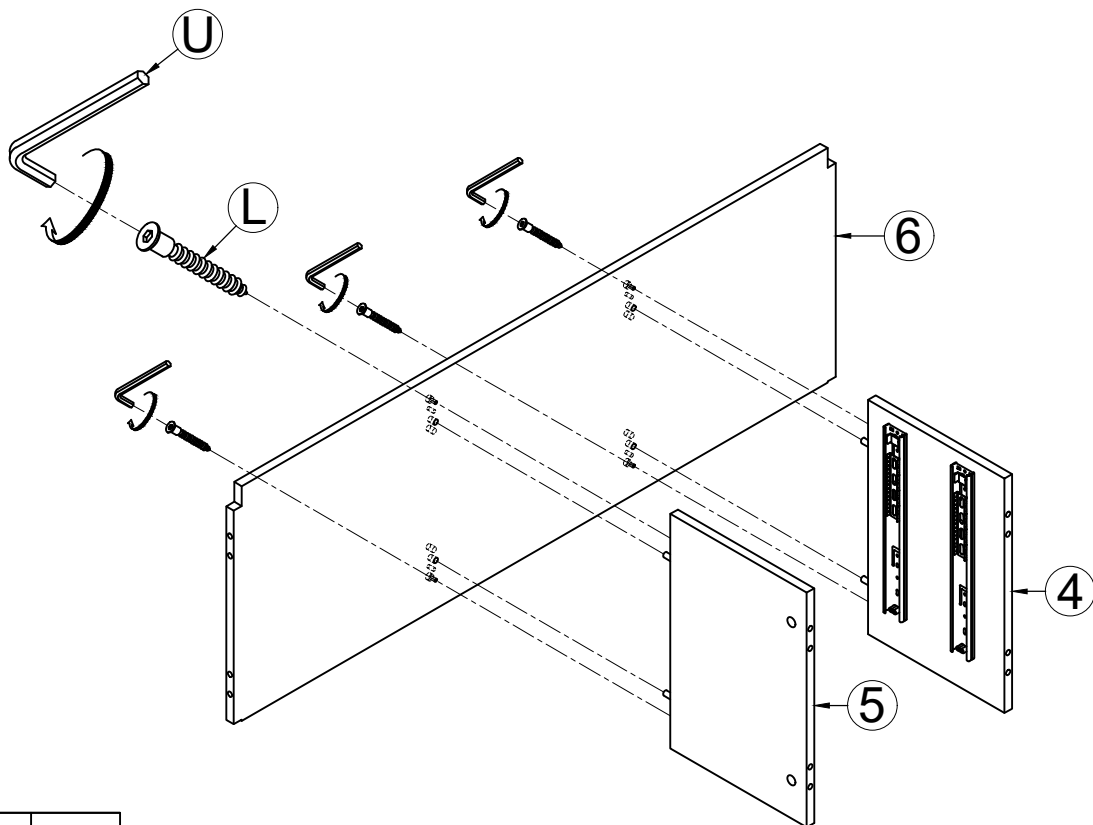
STEP 3: Remove Runner
Quitar el corredor
Enever le coureur

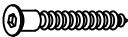

ASSEMBLY INSTRUCTIONS

STEP 1



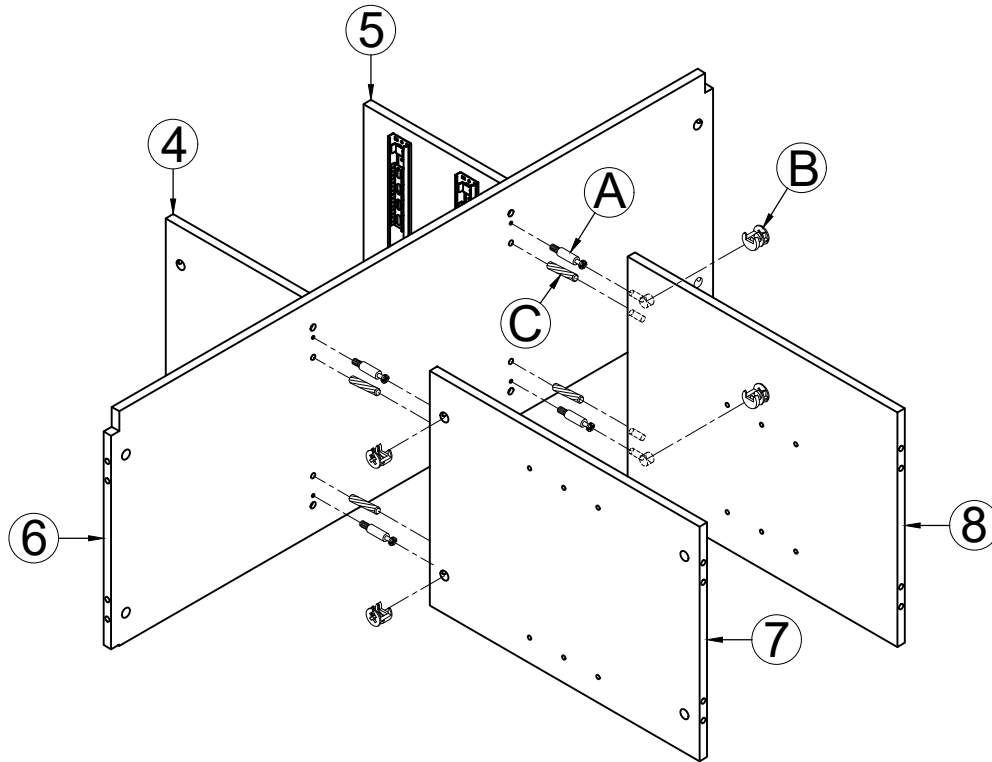
STEP 2

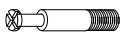




L		4PCS
U		1PC

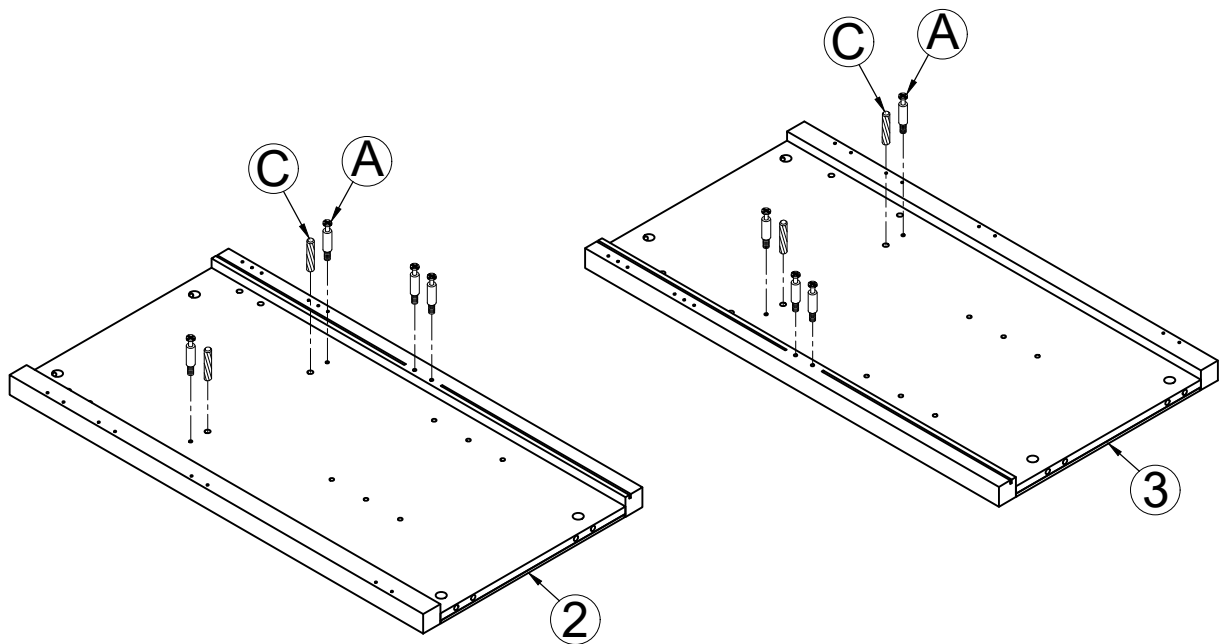
ASSEMBLY INSTRUCTIONS

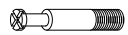

STEP 3



A		4PCS
B		4PCS
C		4PCS

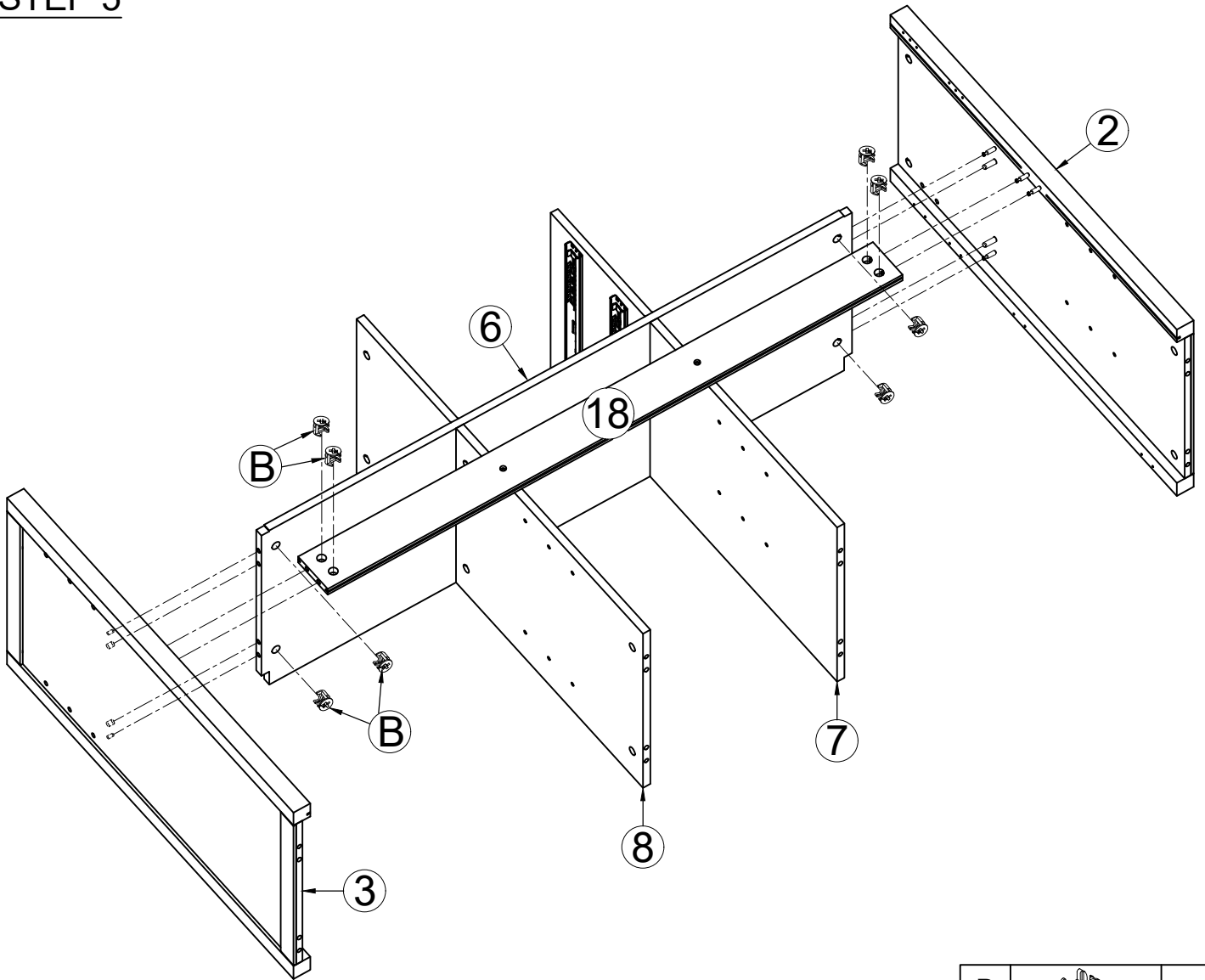
STEP 4




A		8PCS
C		4PCS

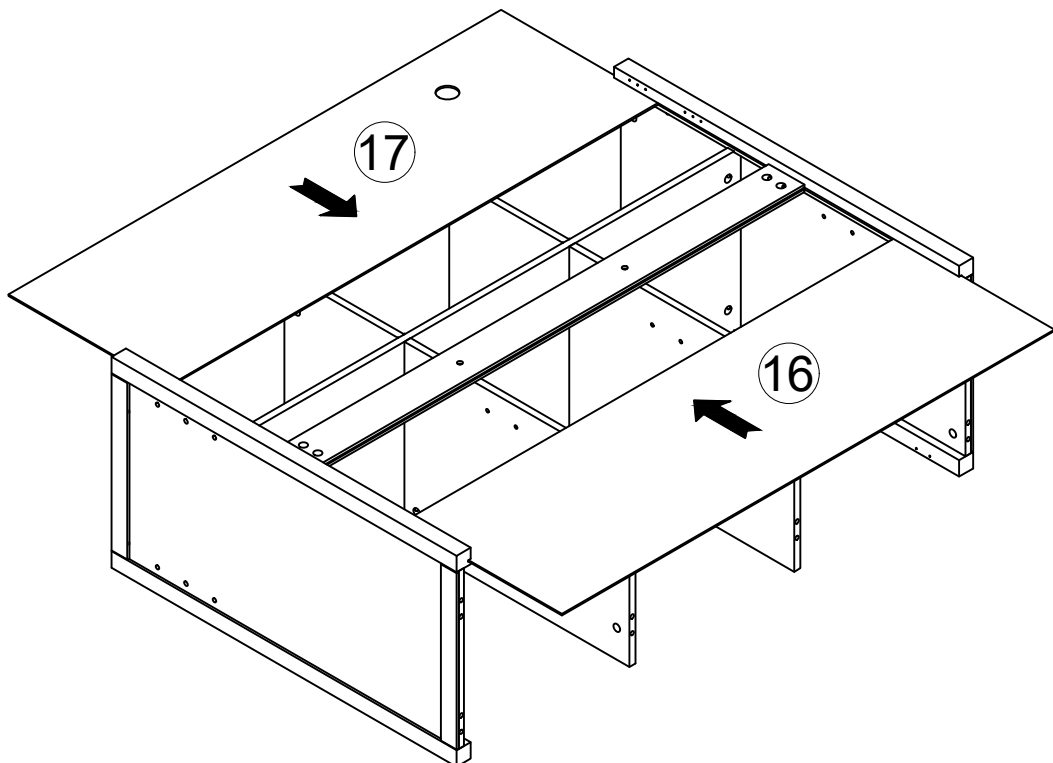
ASSEMBLY INSTRUCTIONS

STEP 5



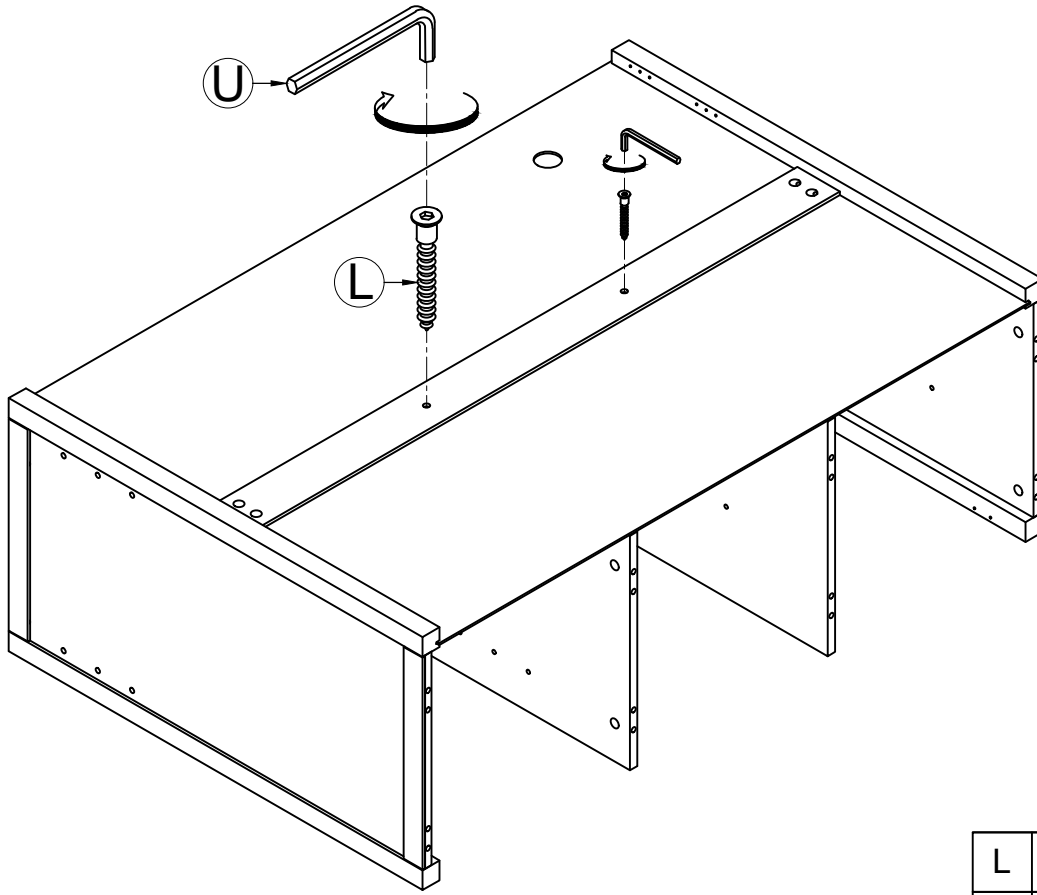
B		8PCS
---	---	------



STEP 6



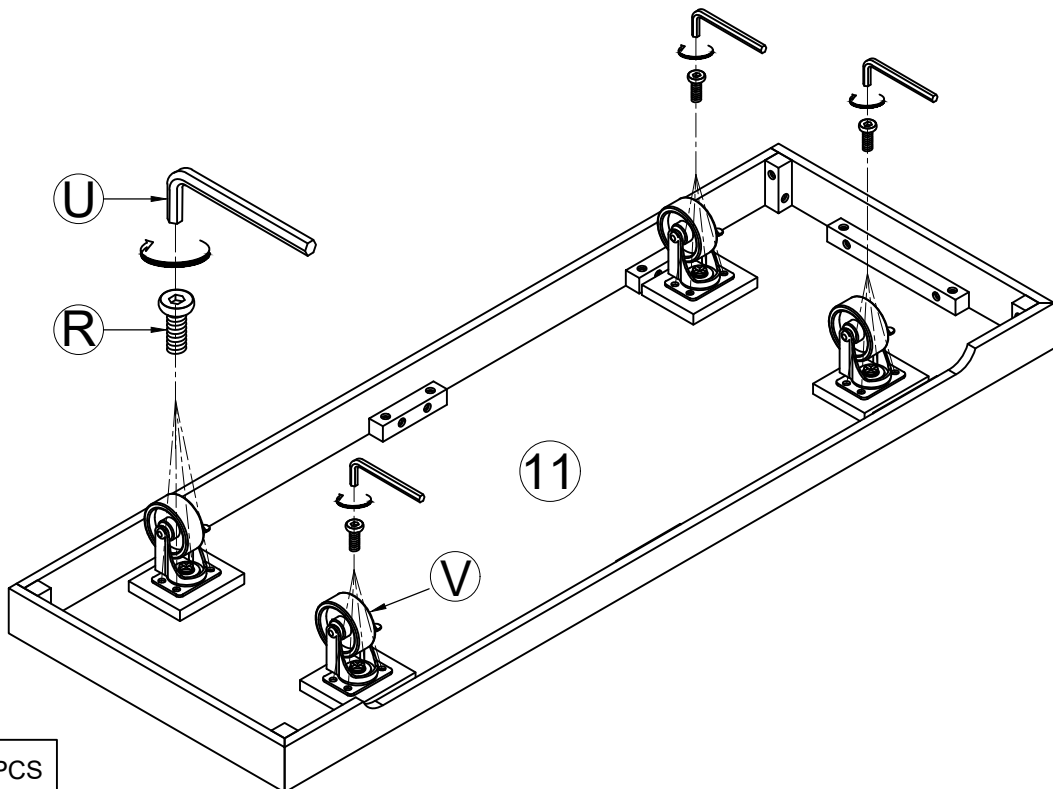
ASSEMBLY INSTRUCTIONS




STEP 7



L		2PCS
U		1PC

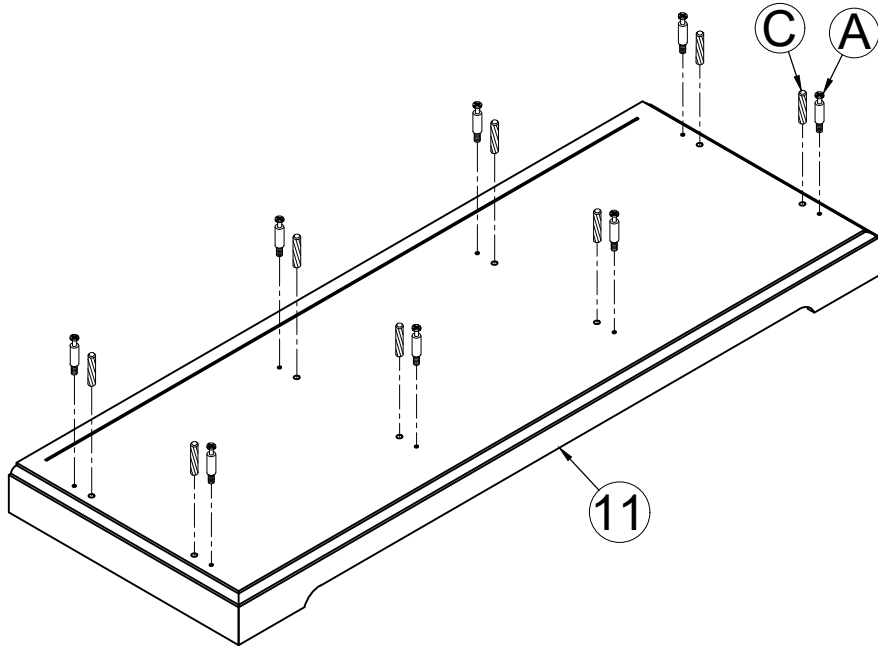
STEP 8

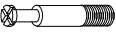



V		4PCS
U		1PC
R		16PCS

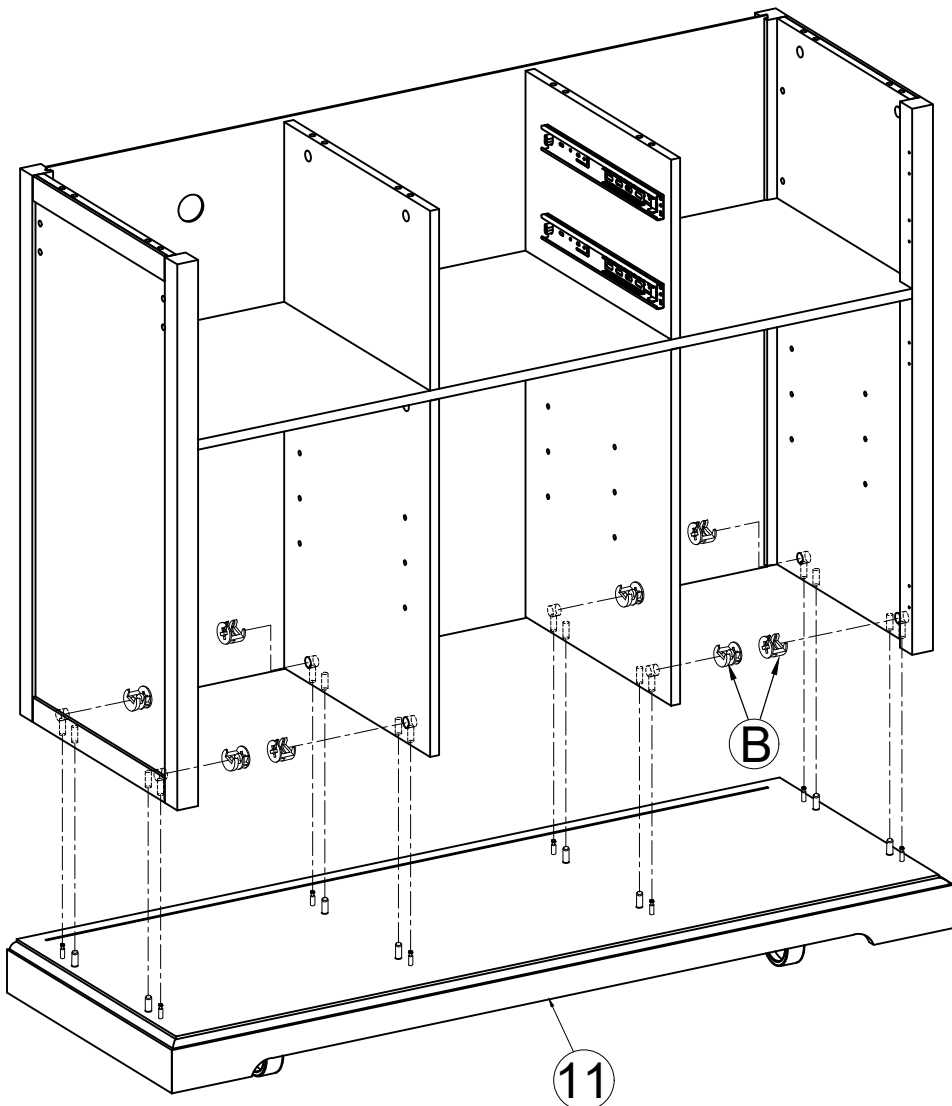
ASSEMBLY INSTRUCTIONS


STEP 9



A		8PCS
C		8PCS

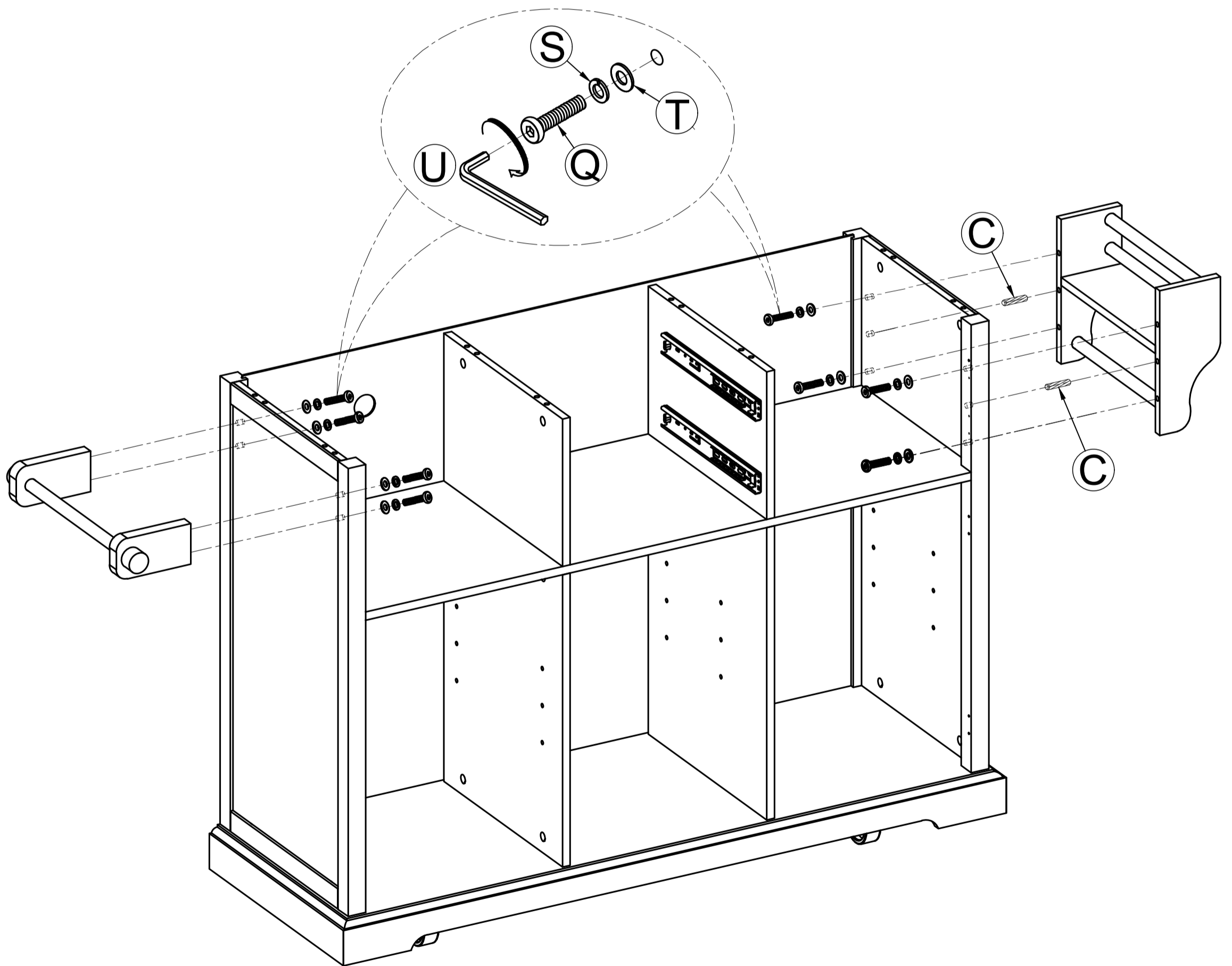
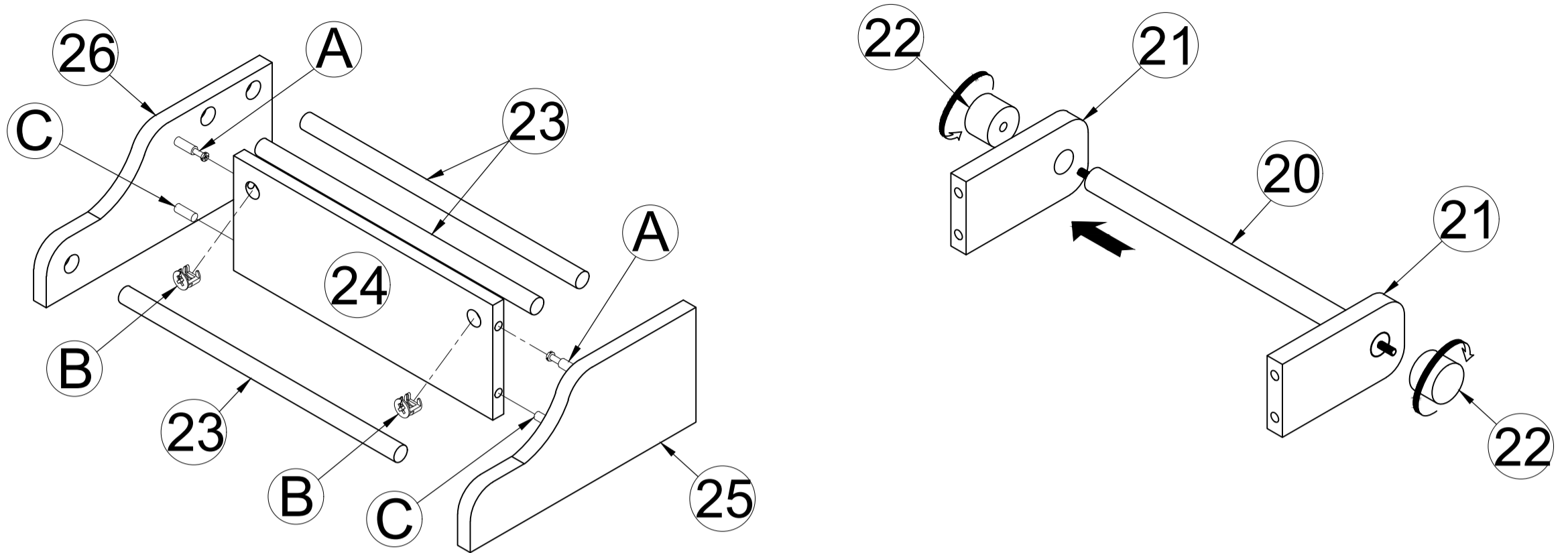
STEP 10



B		8PCS
---	---	------

ASEMBLY INSTRUCTIONS

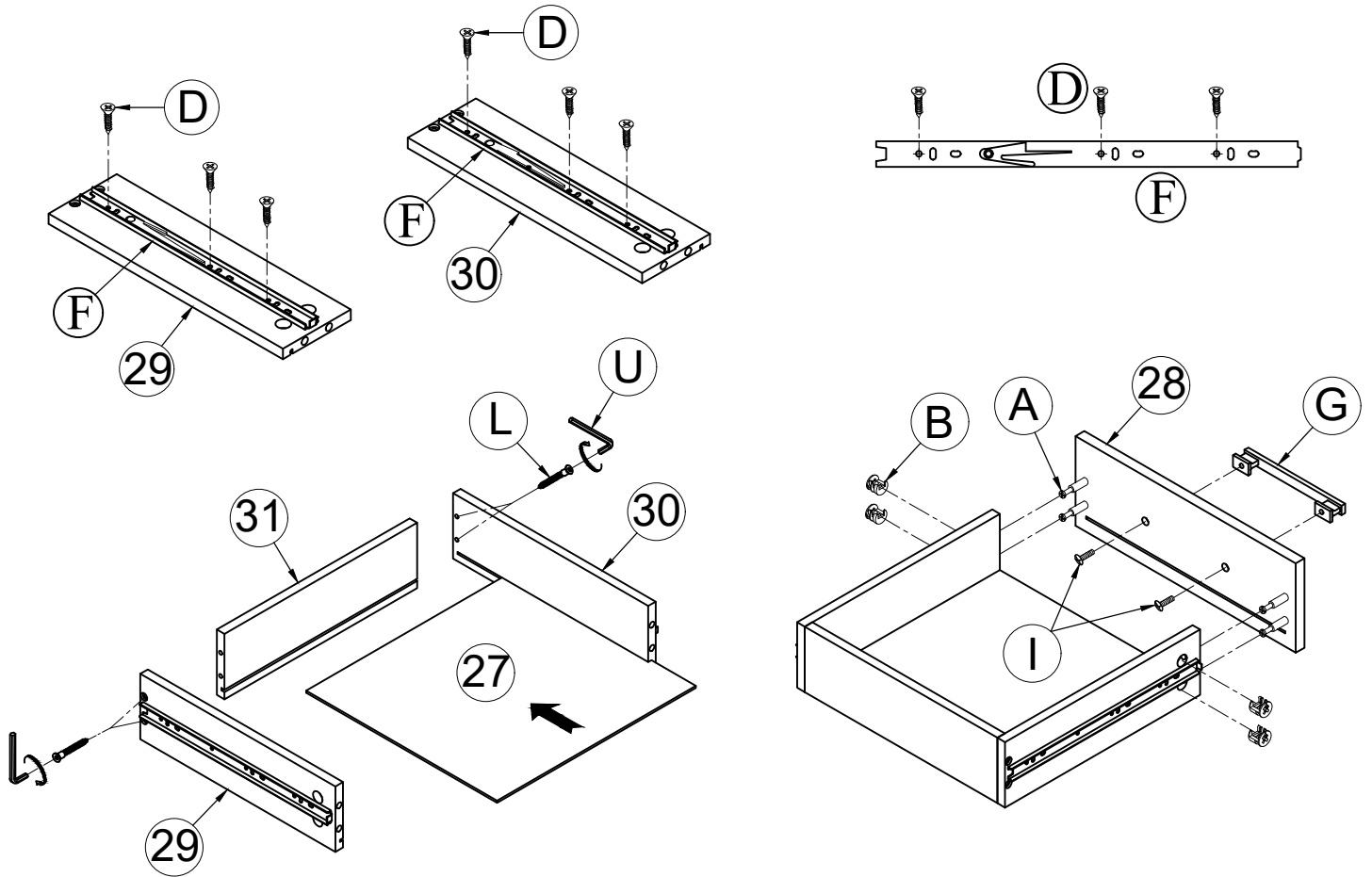
STEP 11



A		2PCS	Q		8PCS			
B		2PCS	S		8PCS			
C		4PCS	T		8PCS	U		1PC

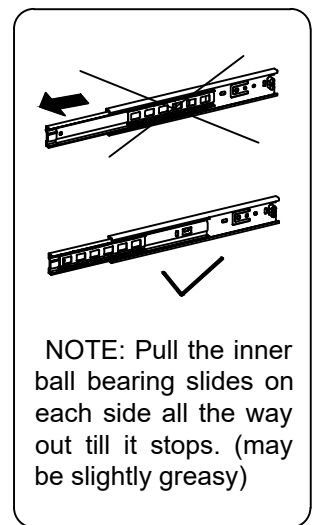
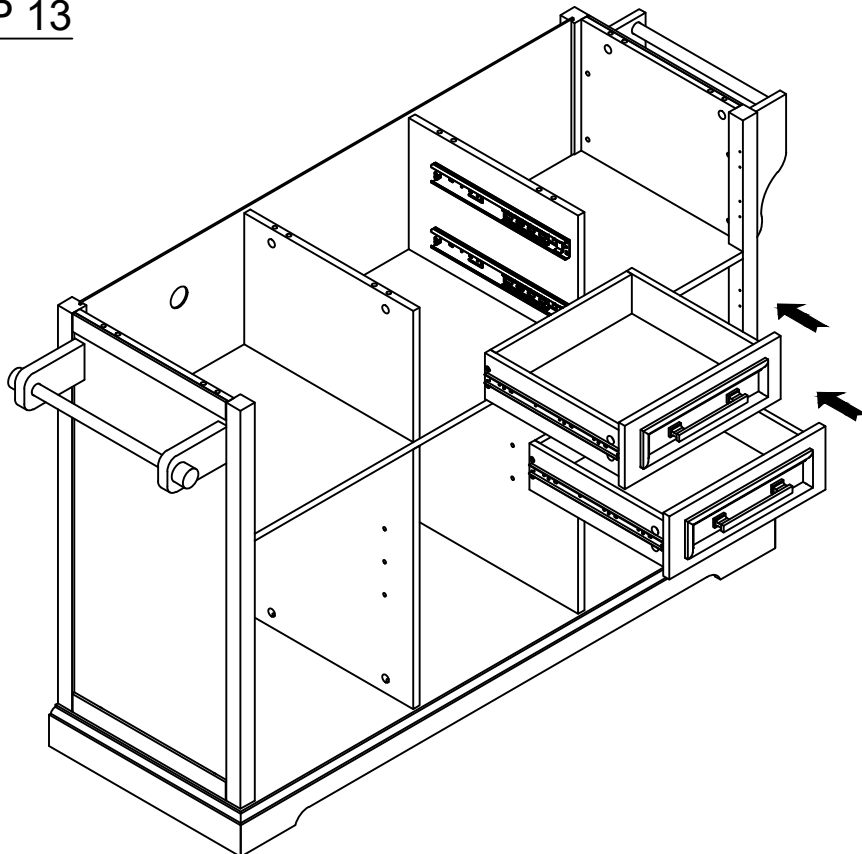
ASSEMBLY INSTRUCTIONS

STEP 12 x2 Set



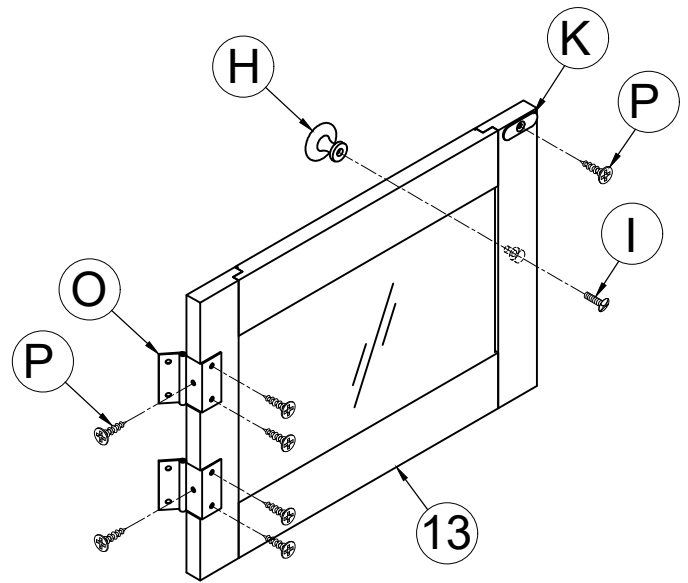
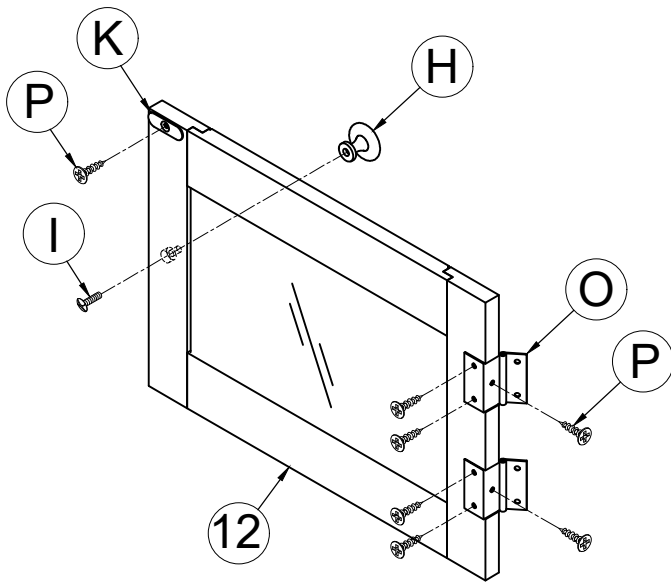
A		8PCS	D		12PCS	G		2PCS	L		8PCS
B		8PCS	F		4PCS	I		4PCS	U		1PC






STEP 13



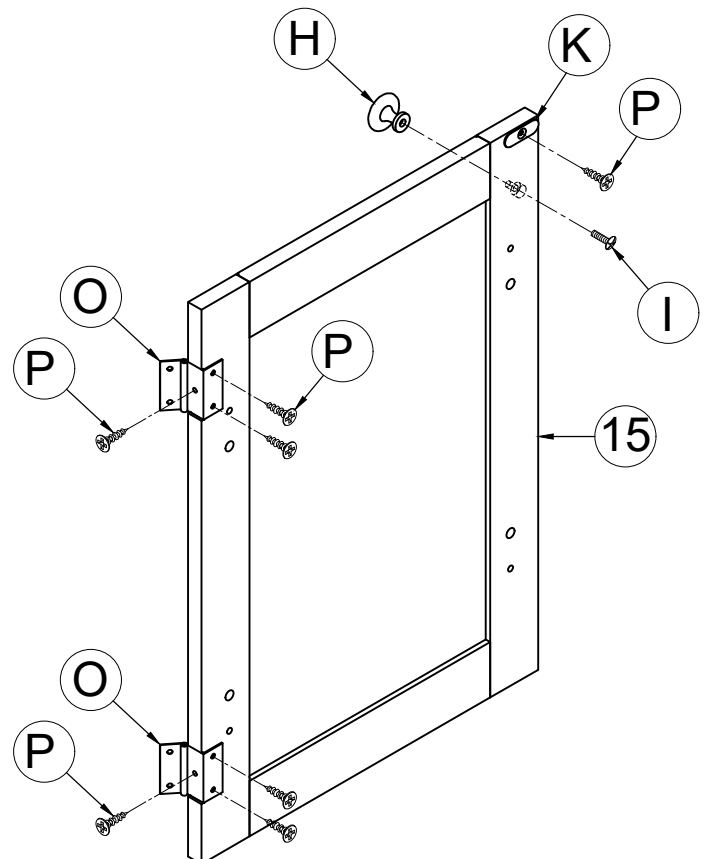
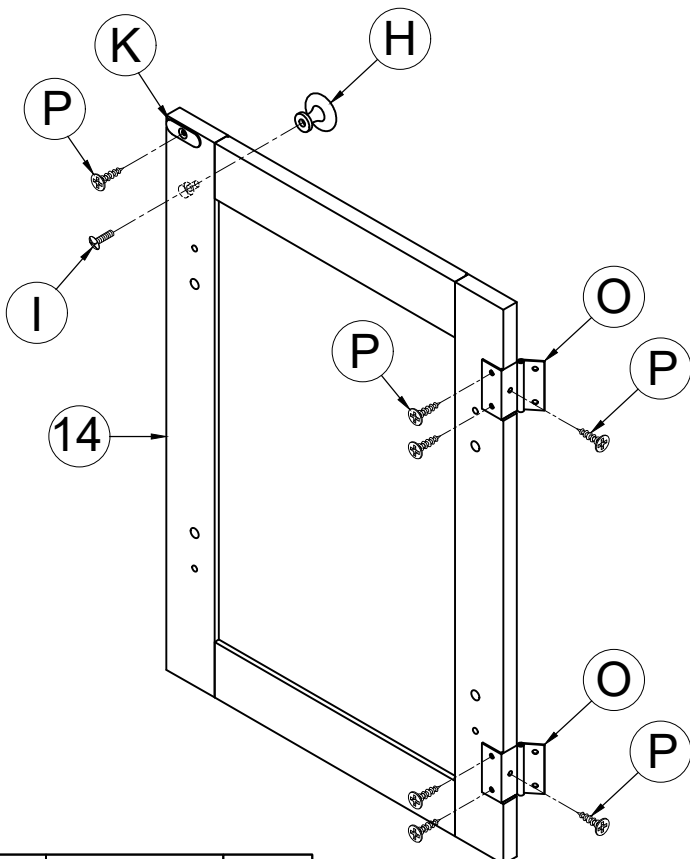
ASSEMBLY INSTRUCTIONS






STEP 14



H		2PCS			
I		2PCS	O		4PCS
K		2PCS	P		14PCS

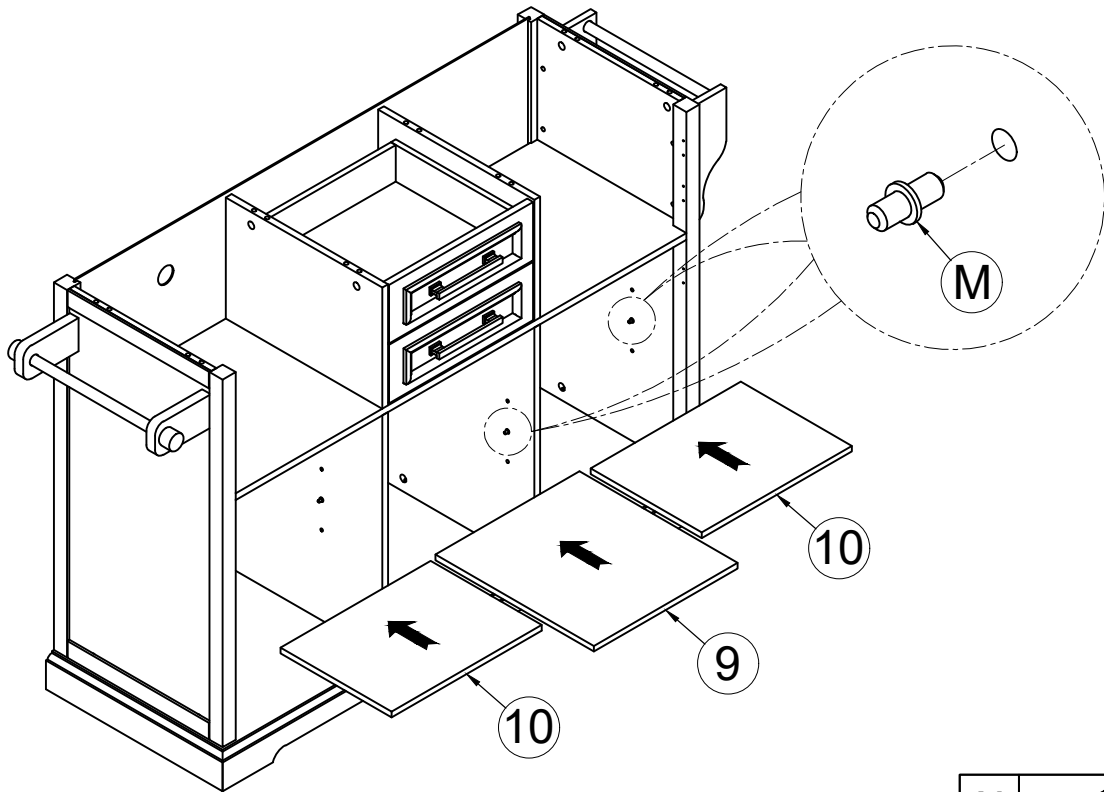
STEP 15



H		2PCS			
I		2PCS	O		4PCS
K		2PCS	P		14PCS

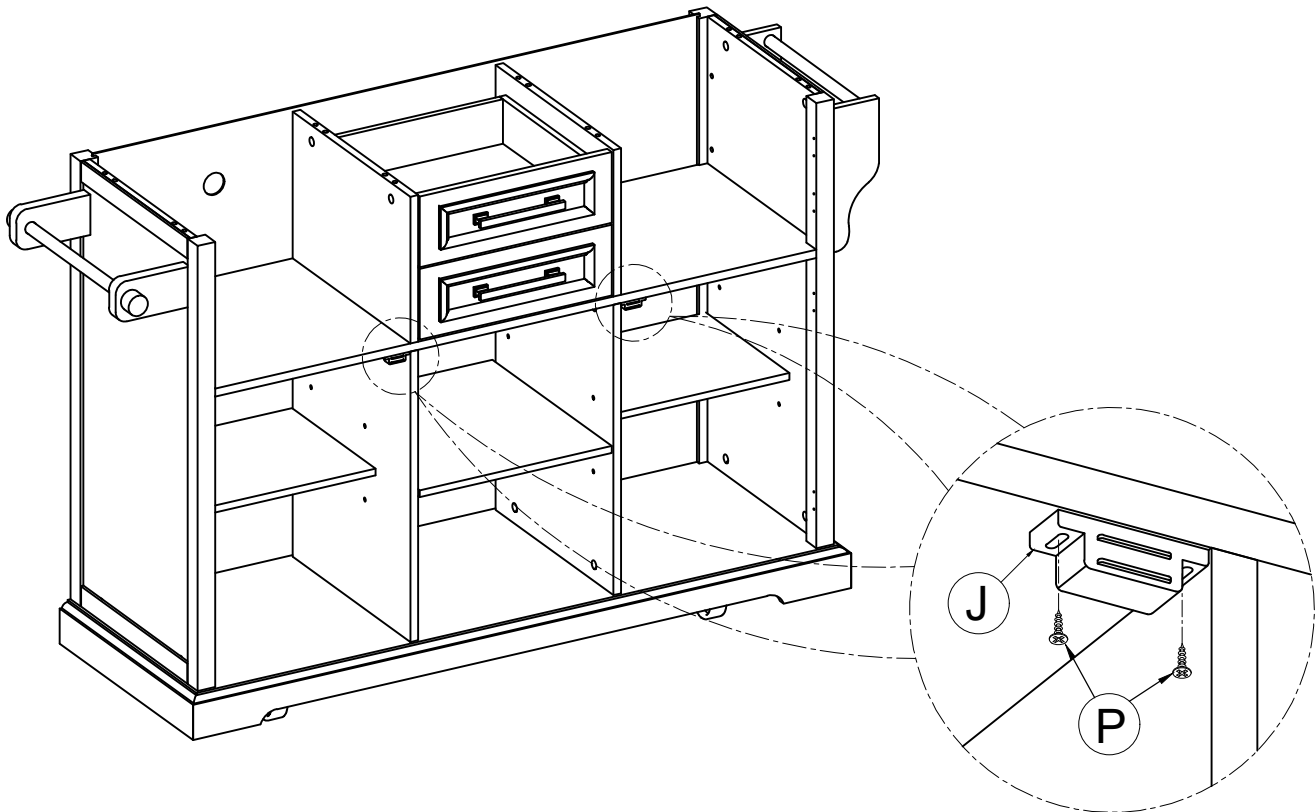
ASSEMBLY INSTRUCTIONS



STEP 16



M		12PCS
---	---	-------

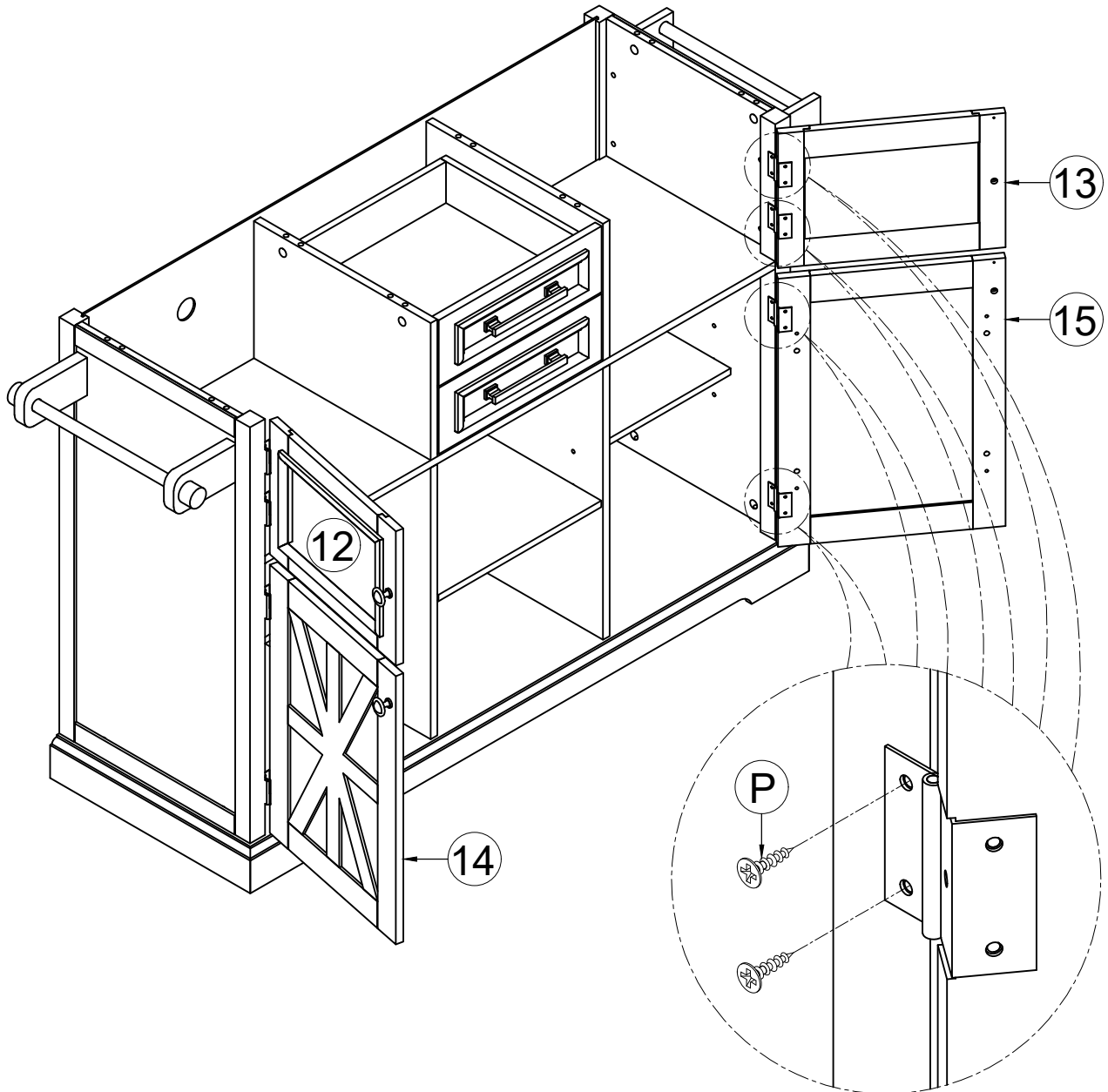
STEP 17



J		2PCS
P		4PCS

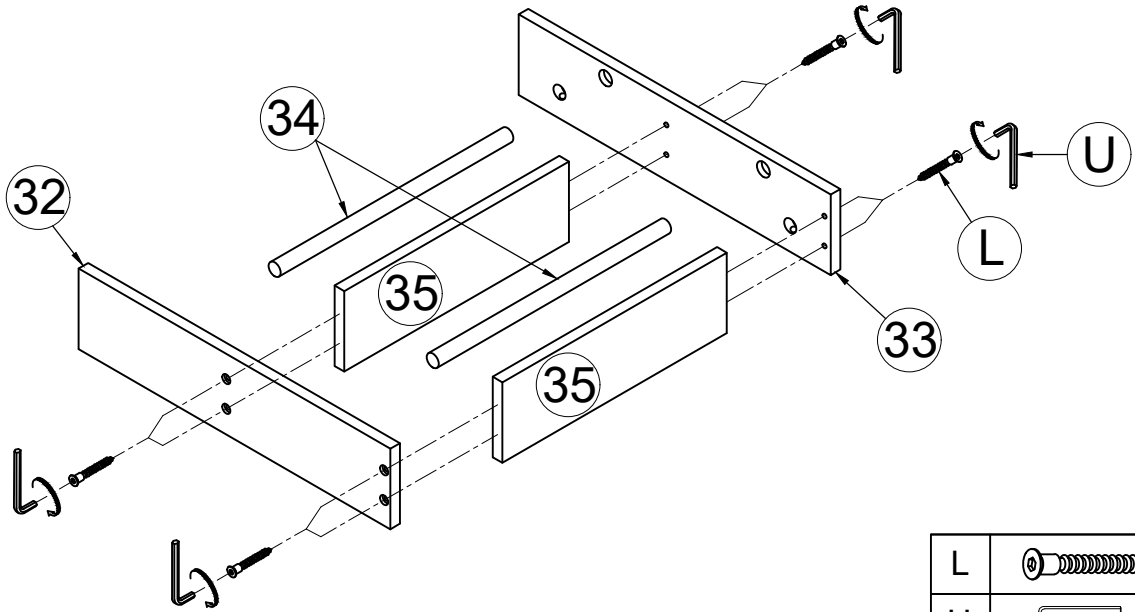
ASSEMBLY INSTRUCTIONS



STEP 18



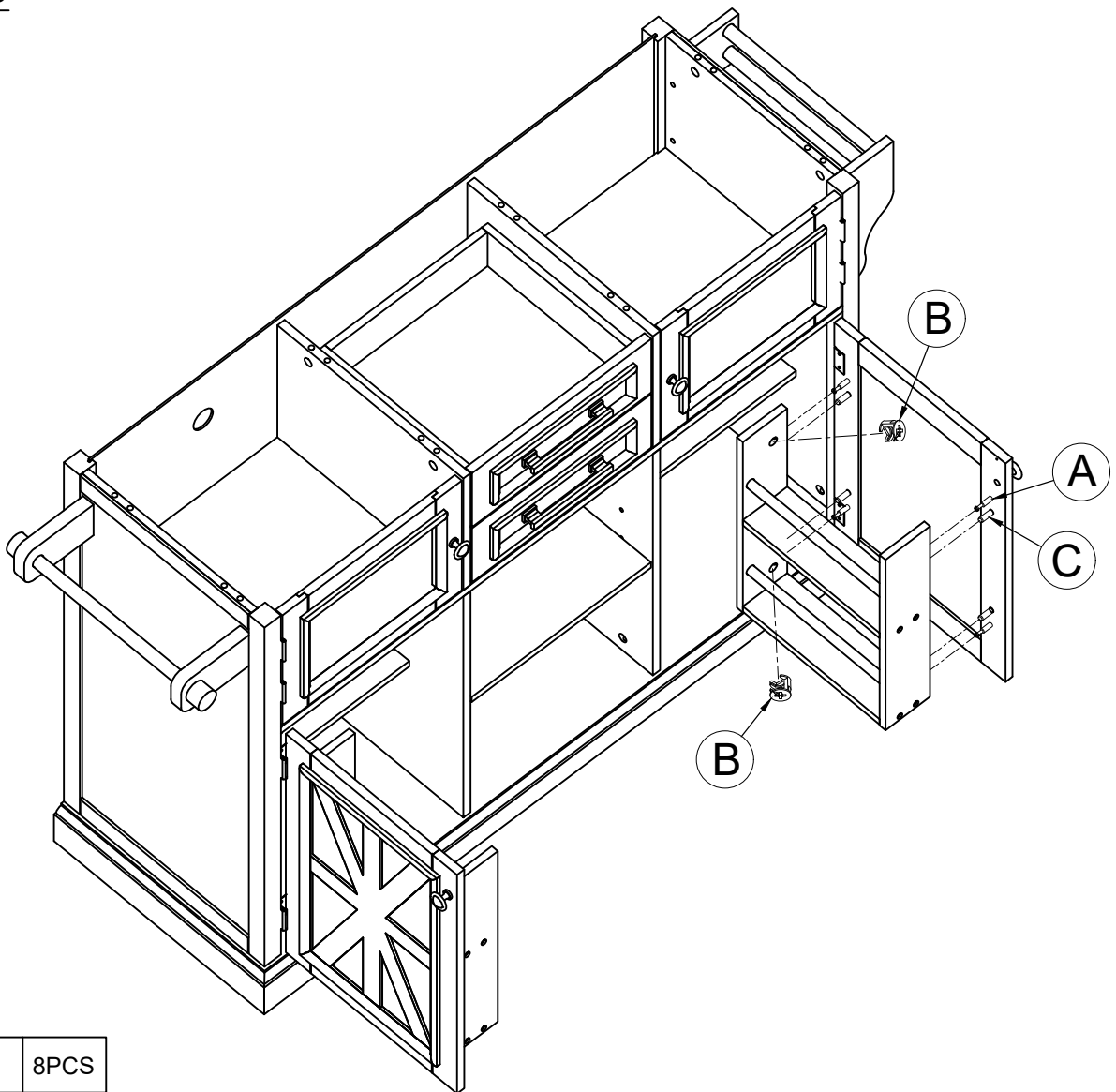
ASSEMBLY INSTRUCTIONS

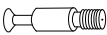


STEP 19 x2 Set



L		16PCS
U		1PC

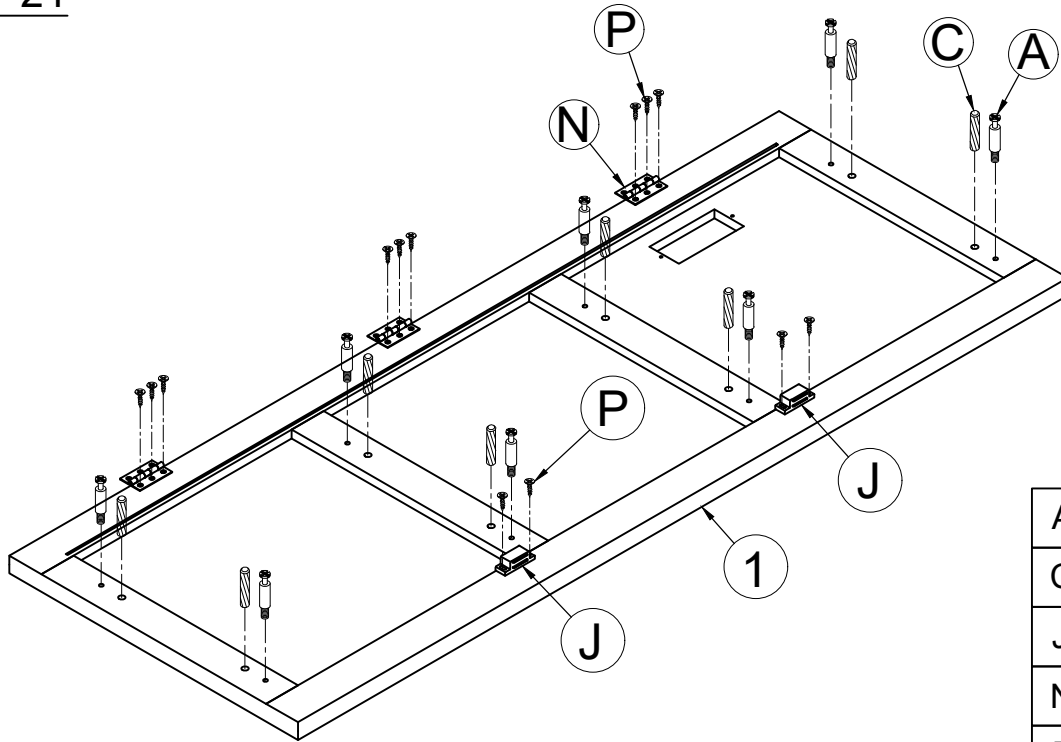
STEP 20

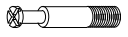


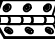



A		8PCS
B		8PCS
C		8PCS

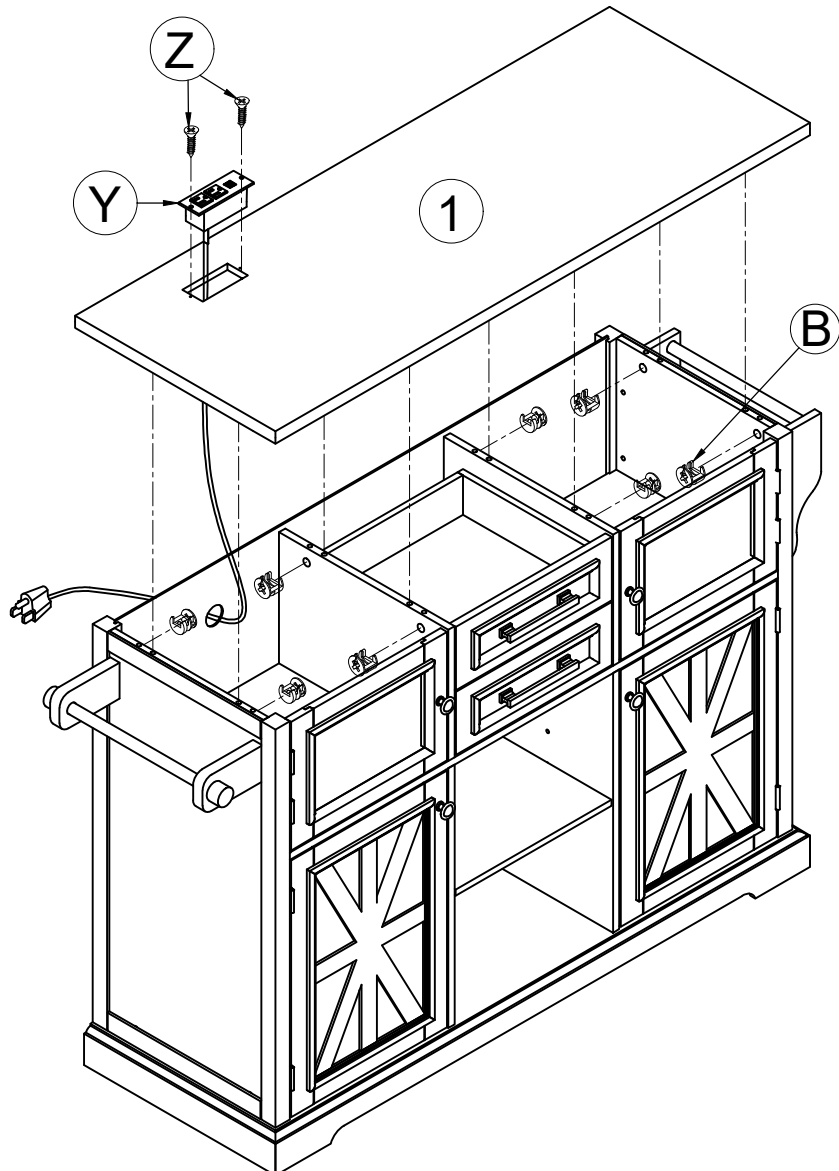
ASSEMBLY INSTRUCTIONS




STEP 21



A		8PCS
C		8PCS
J		2PCS
N		3PCS
P		13PCS

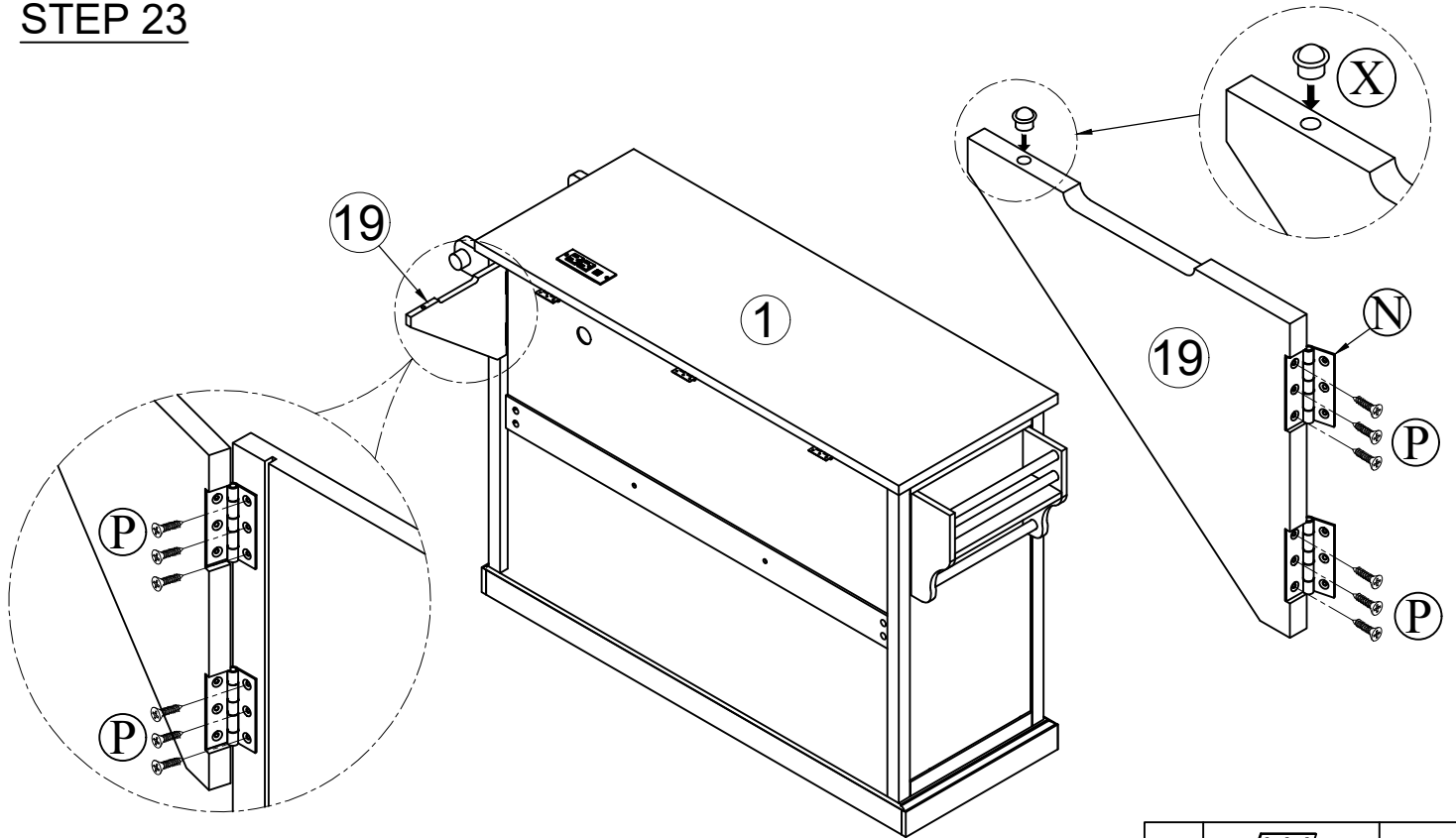
STEP 22


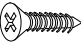



B		8PCS
Y		1PC
Z		2PCS

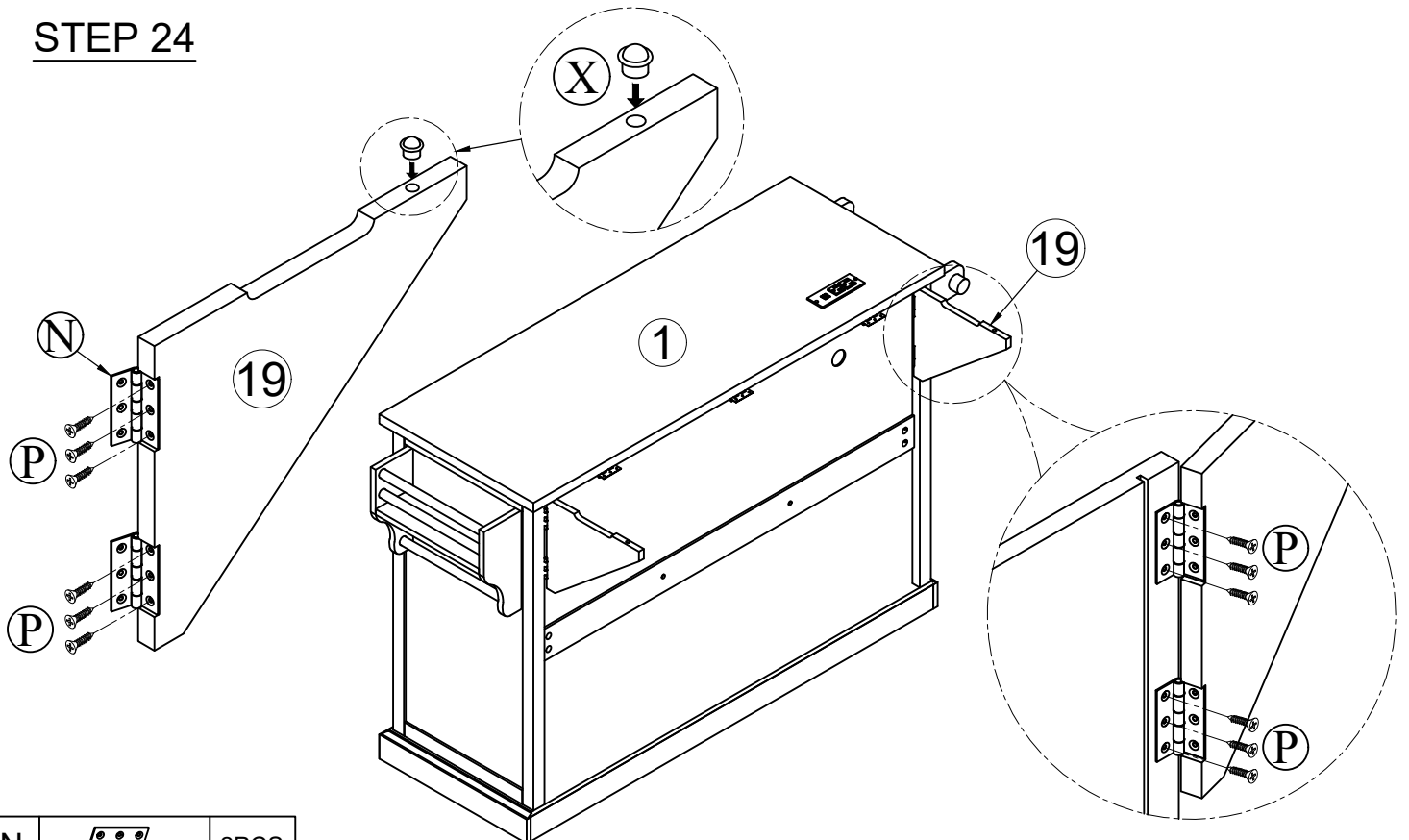
ASSEMBLY INSTRUCTIONS


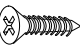

STEP 23



N		2PCS
P		12PCS
X		1PC

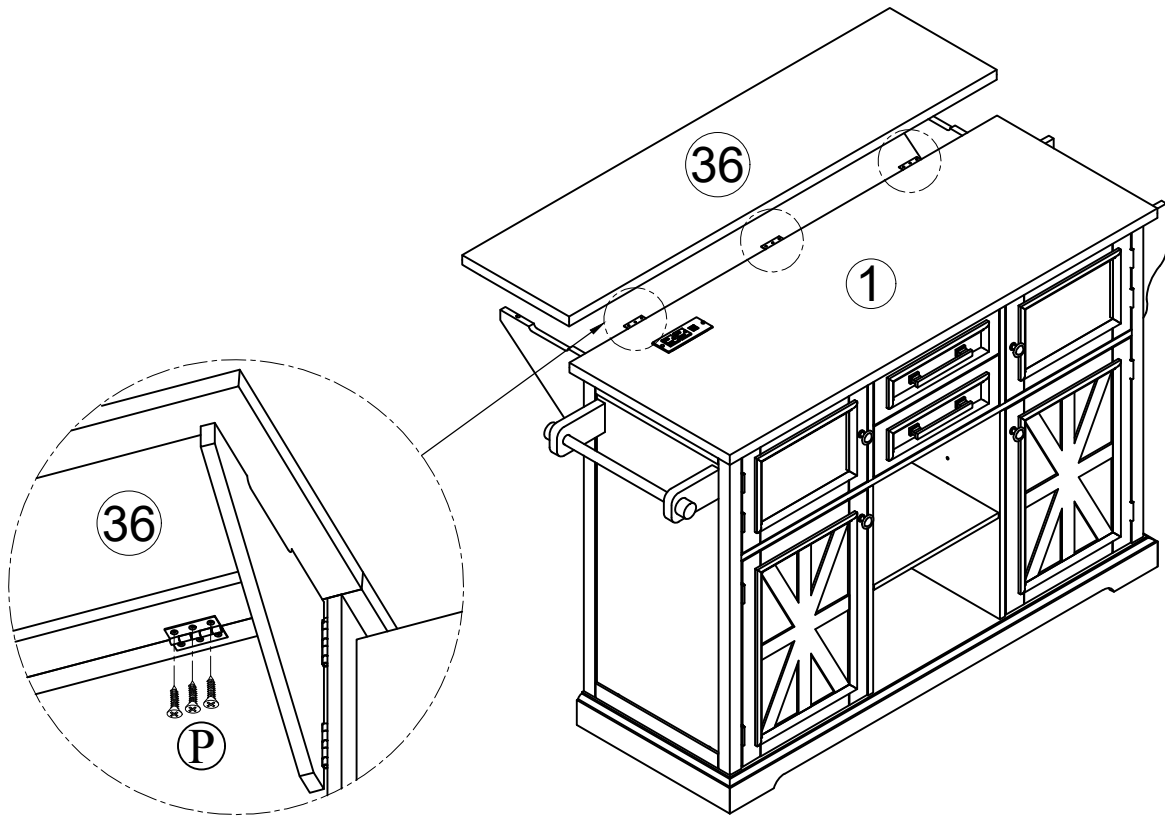
STEP 24

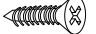


N		2PCS
P		12PCS
X		1PC

ASSEMBLY INSTRUCTIONS

STEP 25



P		9PCS
---	---	------

COMPLETED ASSEMBLY !

