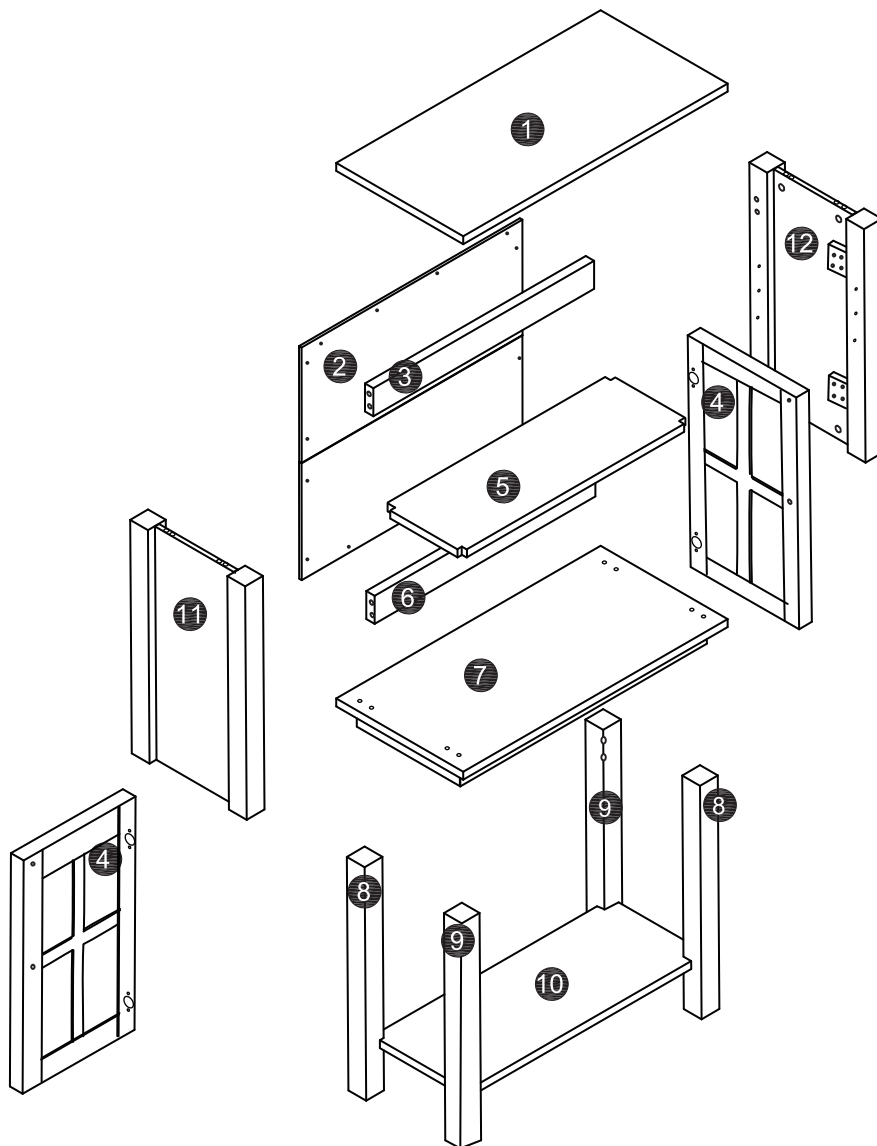


Tools Recommended

ASSEMBLY INSTRUCTION



| | | | |
|--------------|--------------|--------------|--------------|
| A x12 | F x 2 | K x 4 | P x 8 |
| | | | |
| B x12 | G x24 | L x 8 | Q x 4 |
| | | | |
| C x12 | H x 4 | M x 1 | R x 2 |
| | | | |
| D x 2 | I x 2 | N x 8 | S x 2 |
| | | | |
| E x14 | J x 4 | O x12 | T x 2 |
| | | | |

M4*16

M4*14

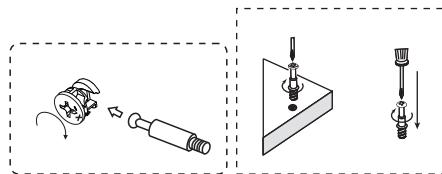
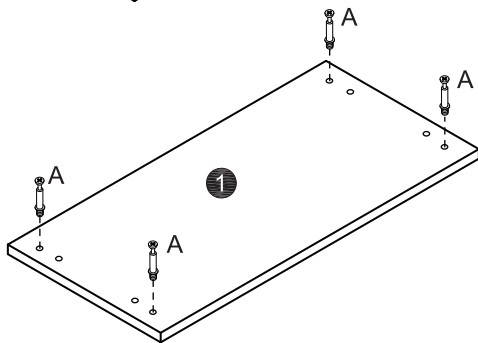
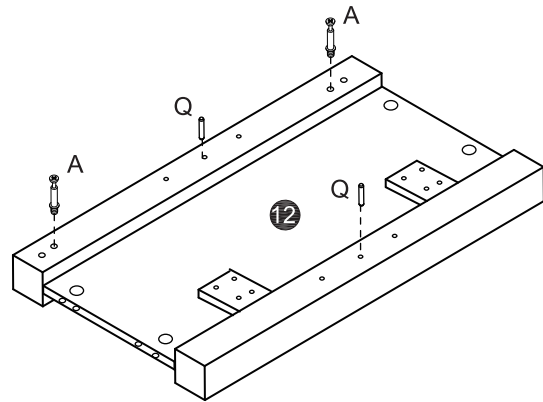
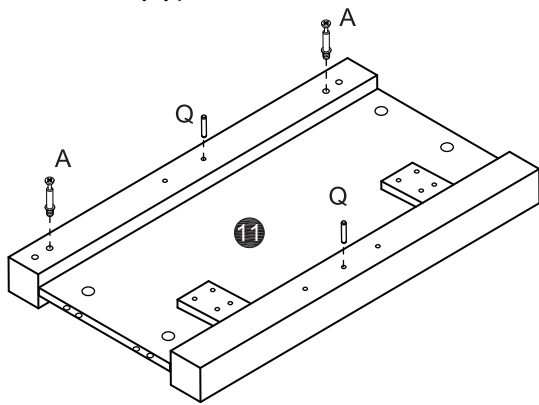
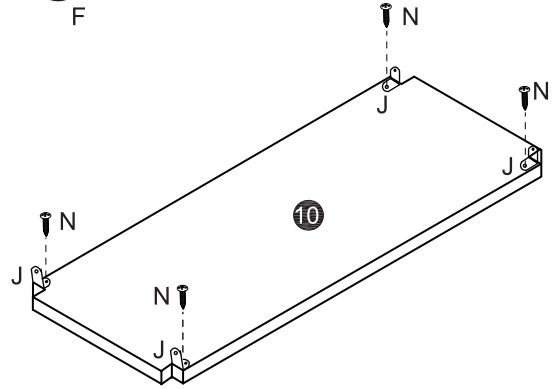
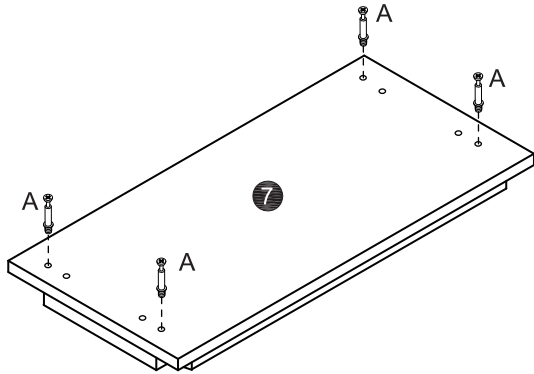
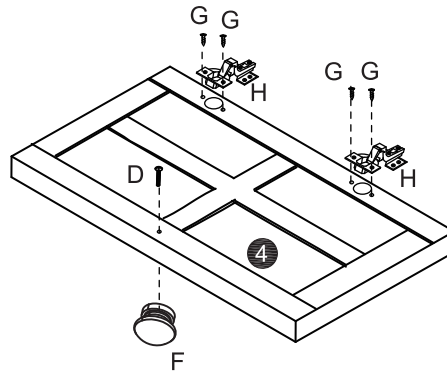
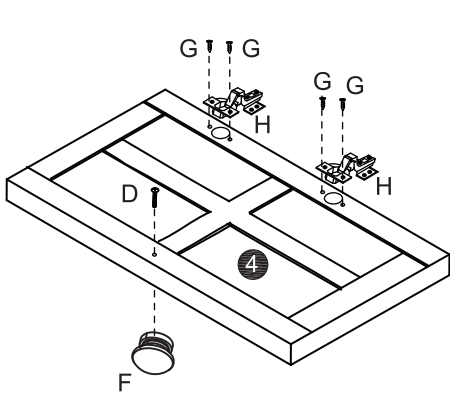
M4*12

M4*35

M4*14

M6*40





| | |
|---------|------|
| A | x 12 |
| | |
| Ø6X35mm | |

| | |
|---|-----|
| F | x 2 |
| | |

| | |
|-------------|-----|
| J | x 4 |
| | |
| M29x29x12mm | |

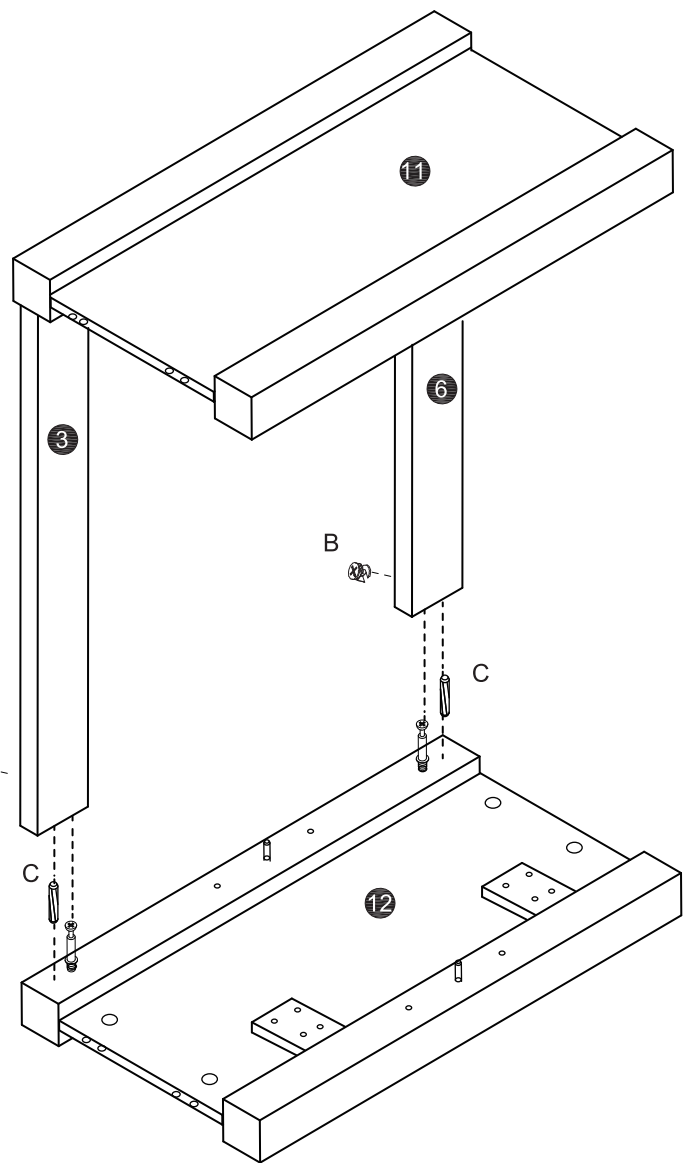
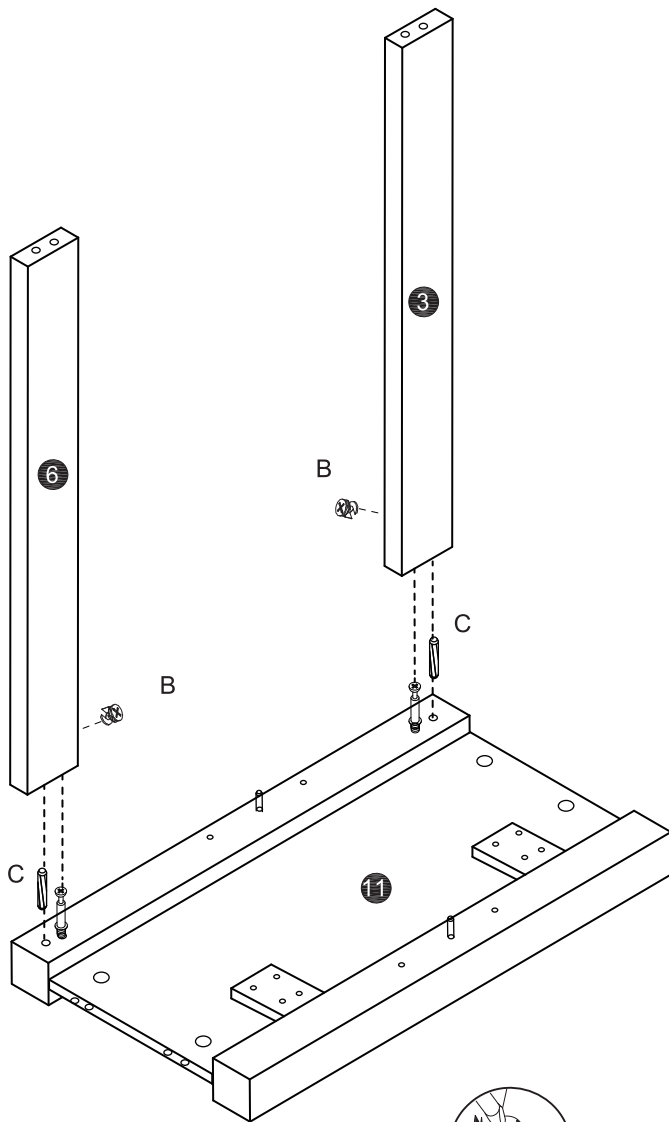
| | |
|---------|-----|
| G | x 8 |
| | |
| M4x14mm | |

| | |
|----------|-----|
| Q | x 4 |
| | |
| Ø 5X25mm | |

| | |
|---------|-----|
| N | x 4 |
| | |
| M4x12mm | |

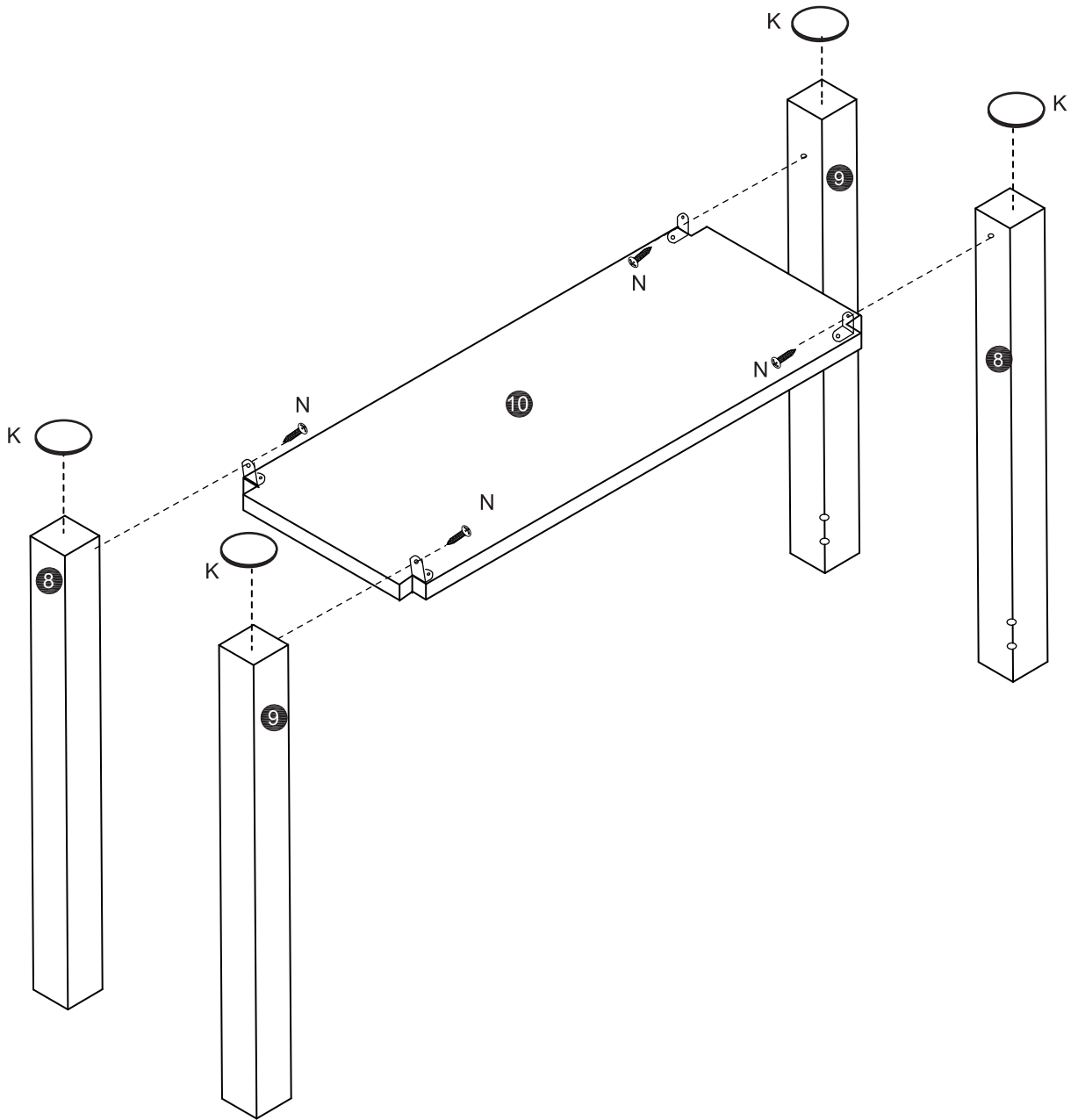
| | |
|---|-----|
| H | x 4 |
| | |


| | |
|---------|-----|
| D | x 2 |
| | |
| M4x16mm | |




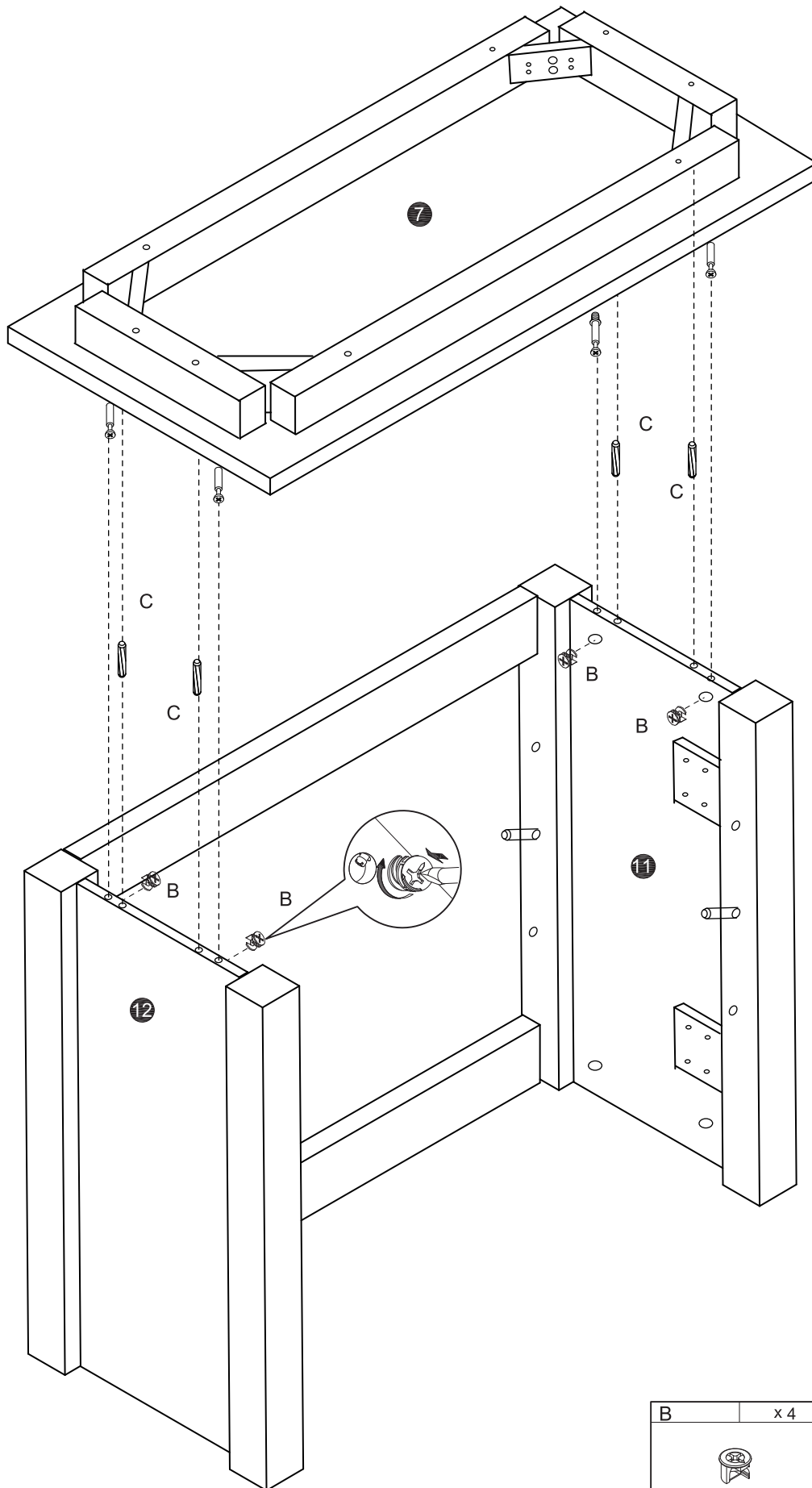
| | |
|----------|-----|
| B | x 4 |
| | |
| Ø15X10mm | |


| | |
|---------|-----|
| C | x 4 |
| | |
| M6x30mm | |




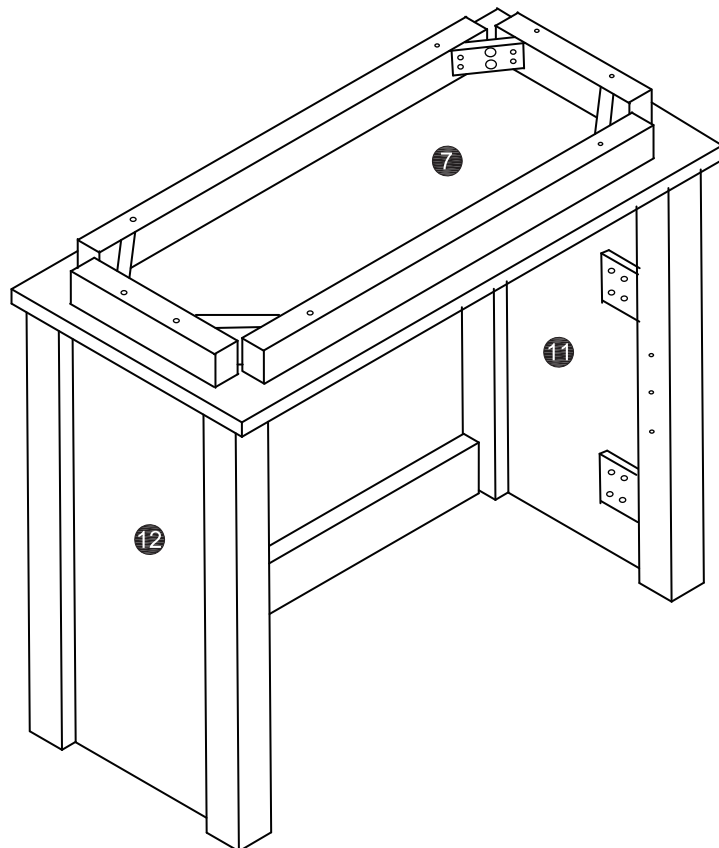
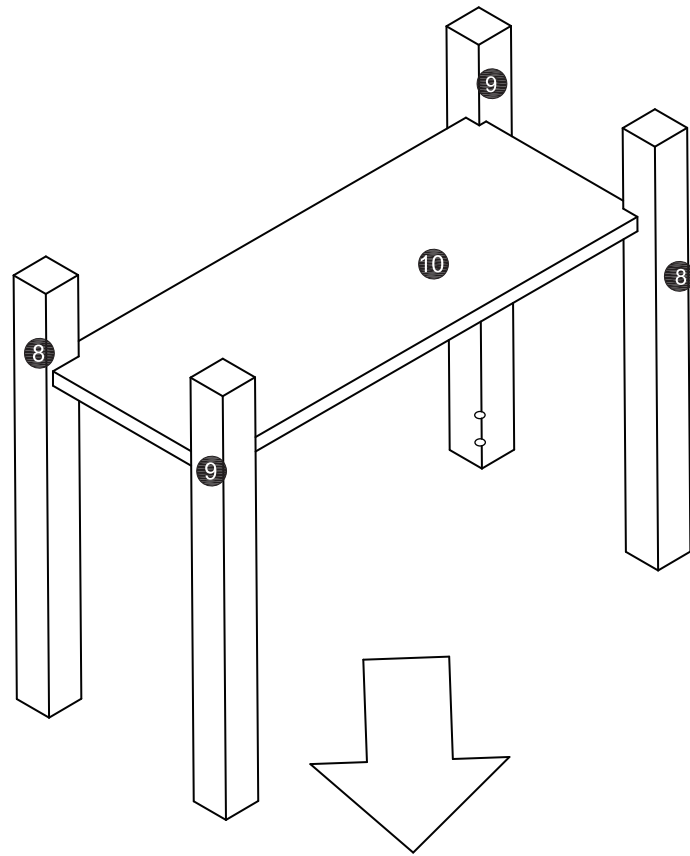
| | |
|---|-----|
| N | x 4 |
|  | |
| M4x12mm | |

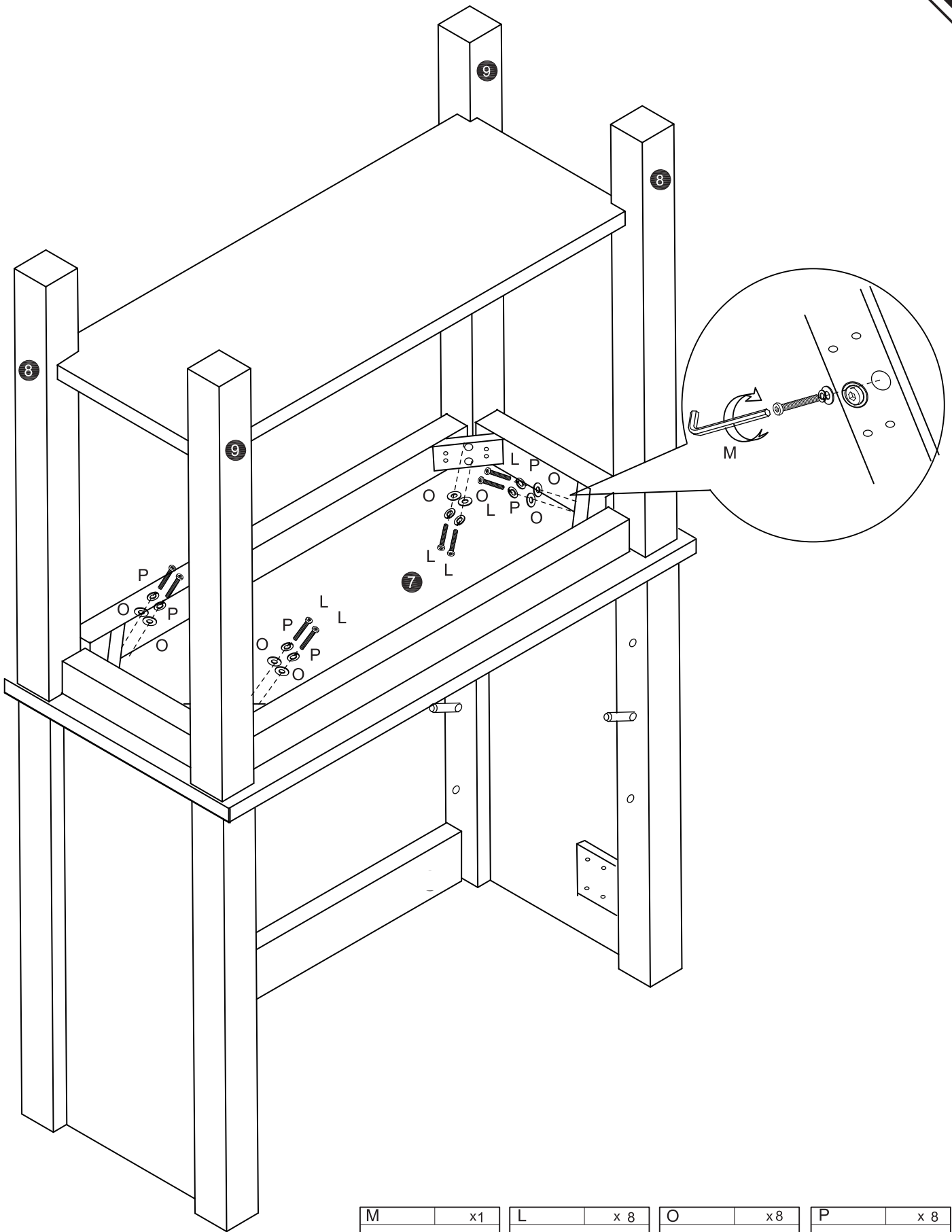
| | |
|---|-----|
| K | x 4 |
|  | |







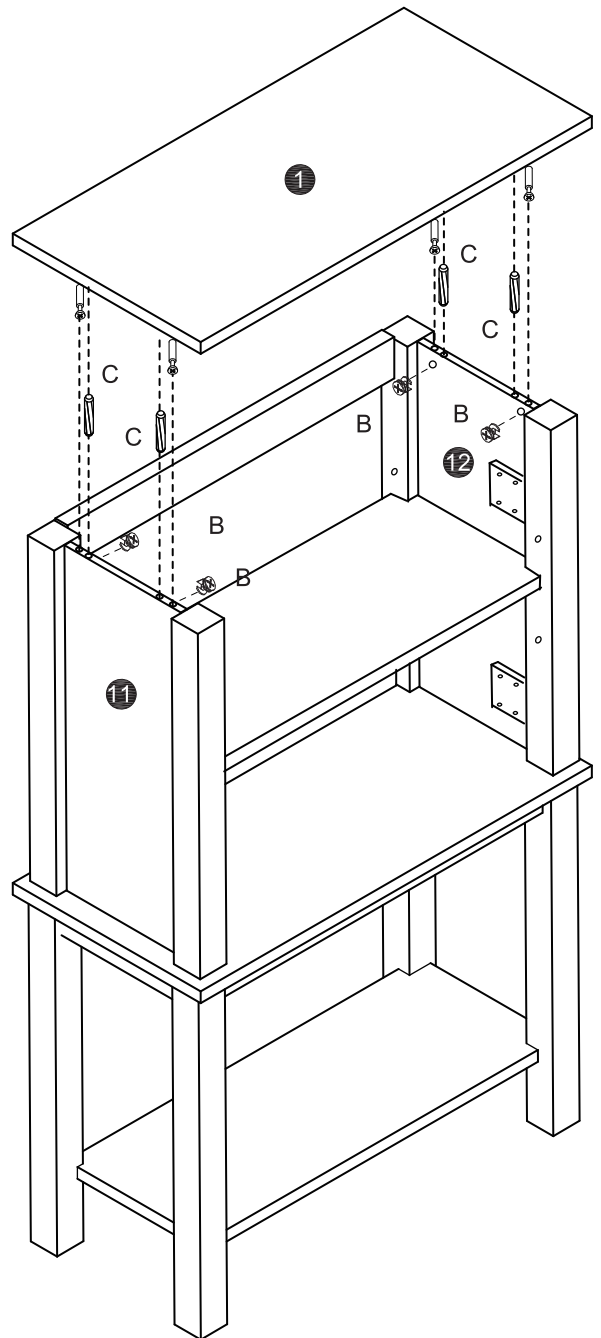
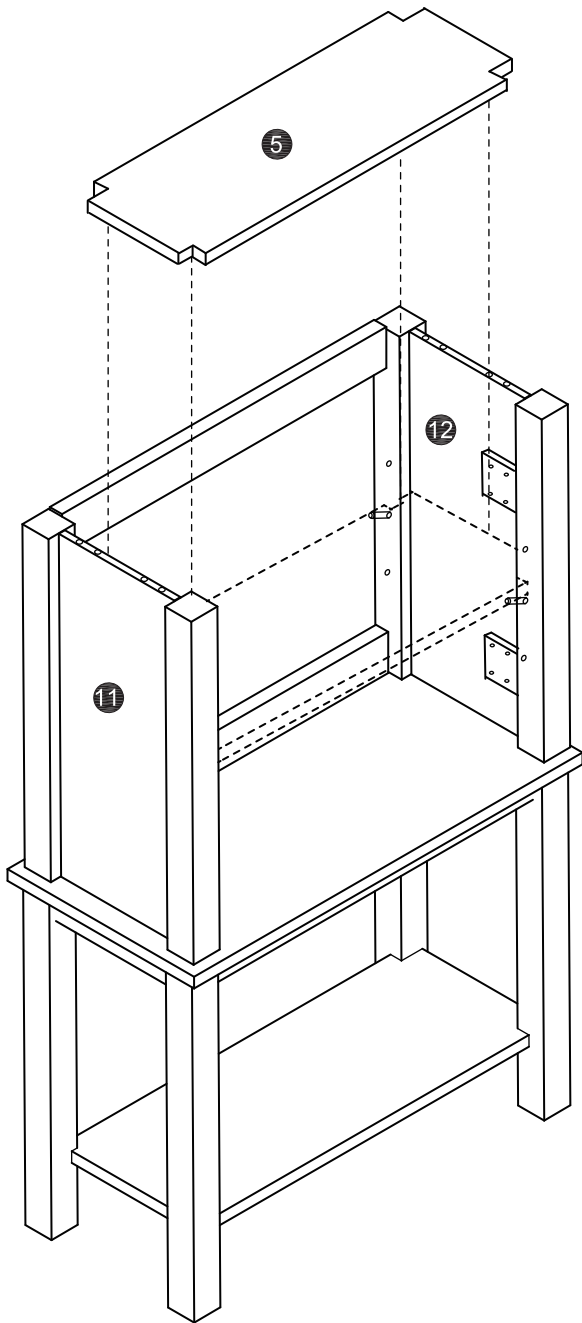
| | |
|---|-----|
| B | x 4 |
|  | |
| Ø15X10mm | |



| | |
|---|-----|
| C | x 4 |
|  | |
| M6x30mm | |

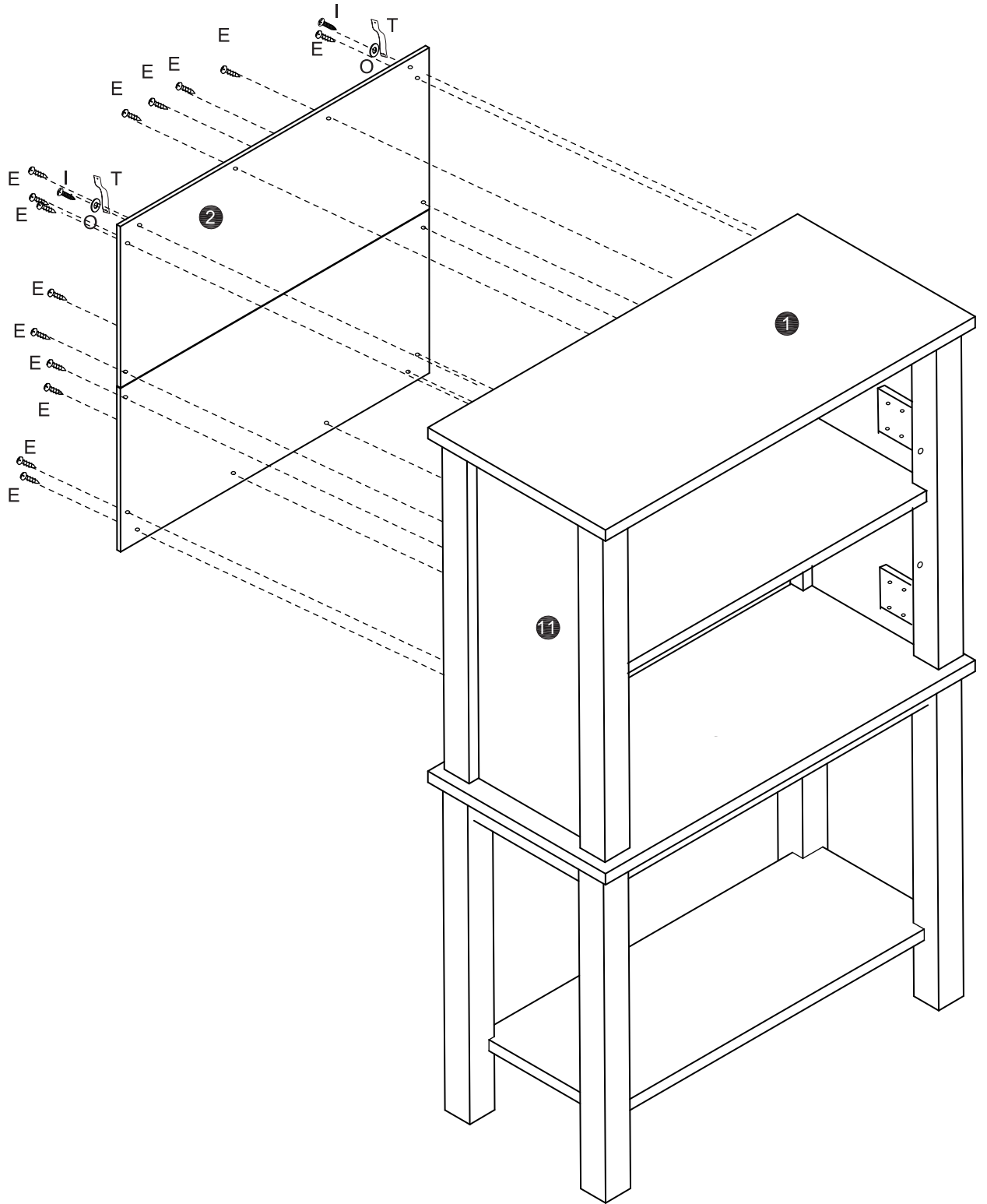






| | | | | | | | |
|---|----|---|----|---|----|---|----|
| M | x1 | L | x8 | O | x8 | P | x8 |
|  | |  | |  | |  | |
| | | M6x40mm | | M6x16x1mm | | M6x11x2mm | |





| | | | |
|---|-----|---|-----|
| B | x 4 | C | x 4 |
|  | |  | |
| Ø15X10mm | | M6x30mm | |

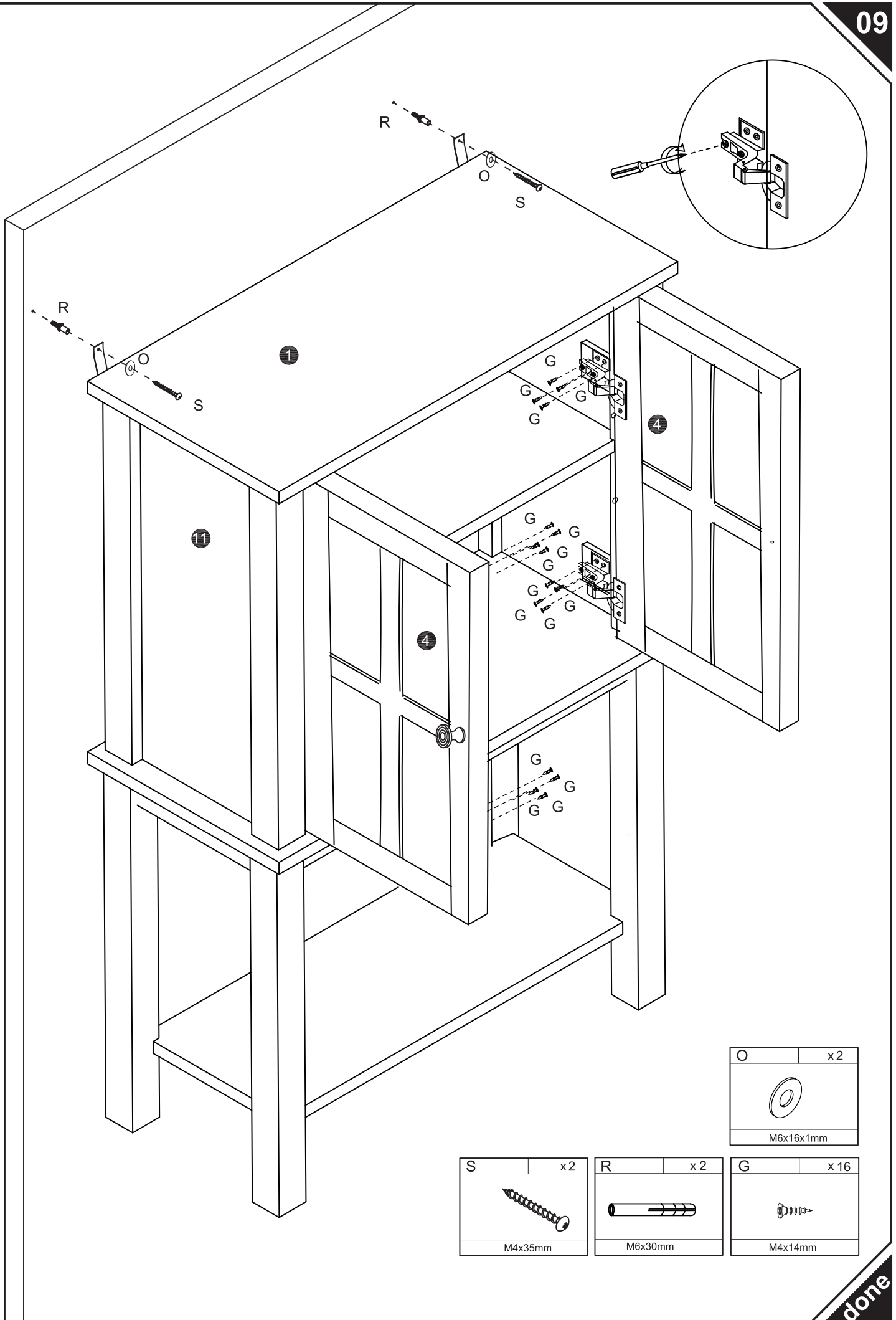



| | |
|---|-----|
| E | x14 |
|  | |
| M3x12mm | |


| | |
|---|----|
| I | x2 |
|  | |
| M4x14mm | |

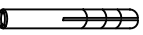
| | |
|---|----|
| T | x2 |
|  | |
| M157x25mm | |


| | |
|---|----|
| O | x2 |
|  | |
| M6x16x1mm | |



| | |
|---|----|
| O | x2 |
|  | |
| M6x16x1mm | |

| | |
|--|----|
| S | x2 |
|  | |
| M4x35mm | |

| | |
|---|----|
| R | x2 |
|  | |
| M6x30mm | |

| | |
|---|-----|
| G | x16 |
|  | |
| M4x14mm | |