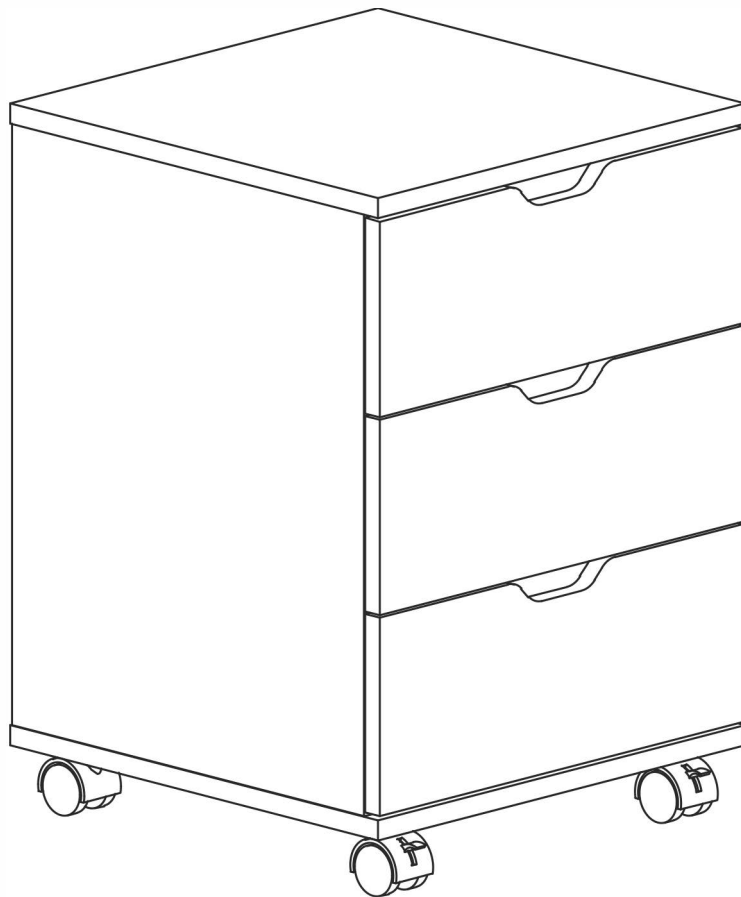


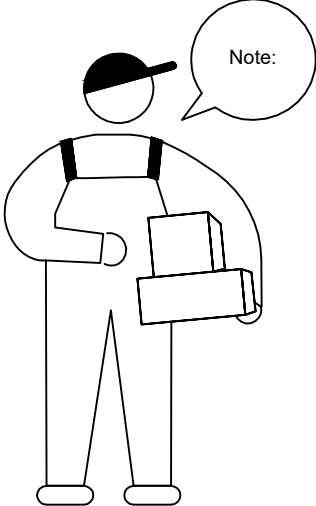
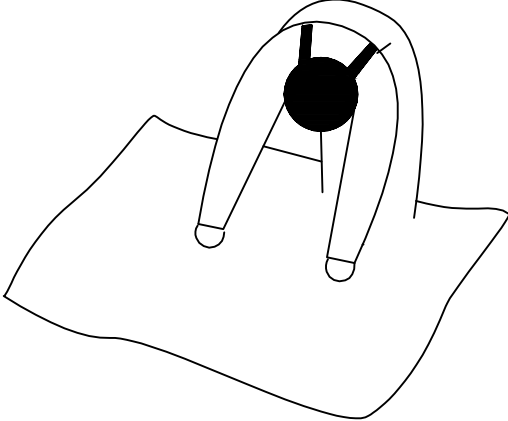
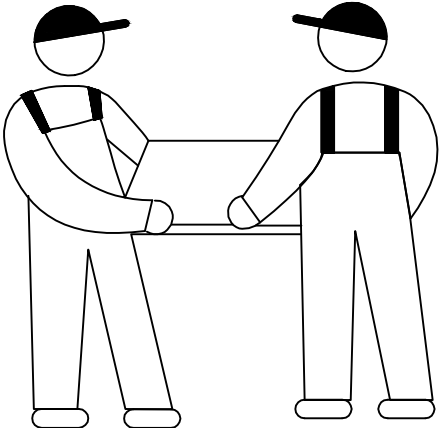
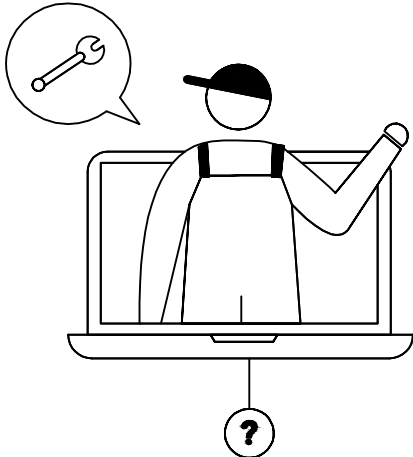
Assembly Manual

3 Drawer Pedestal


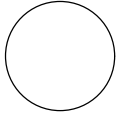
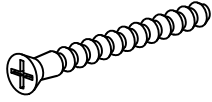
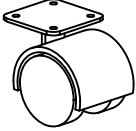
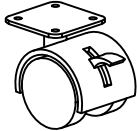








Please read this manual carefully before any operation and keep it properly for future use.

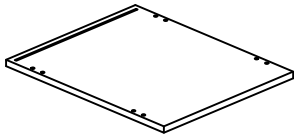
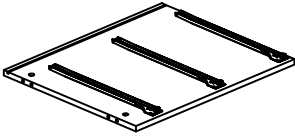
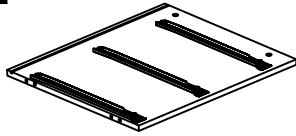
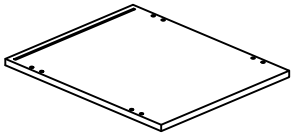
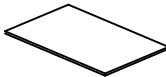
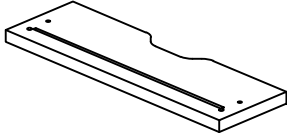
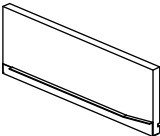
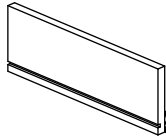
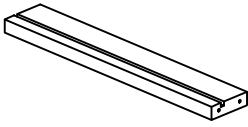
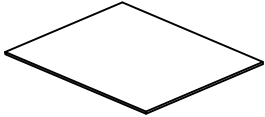
Assembly note

 <p>Note:</p>	<p>Put a protective mat on the ground and handle the product with care.</p> 
<p>Two people are preferred.</p> 	<p>Contact us if you have any problems.</p> 

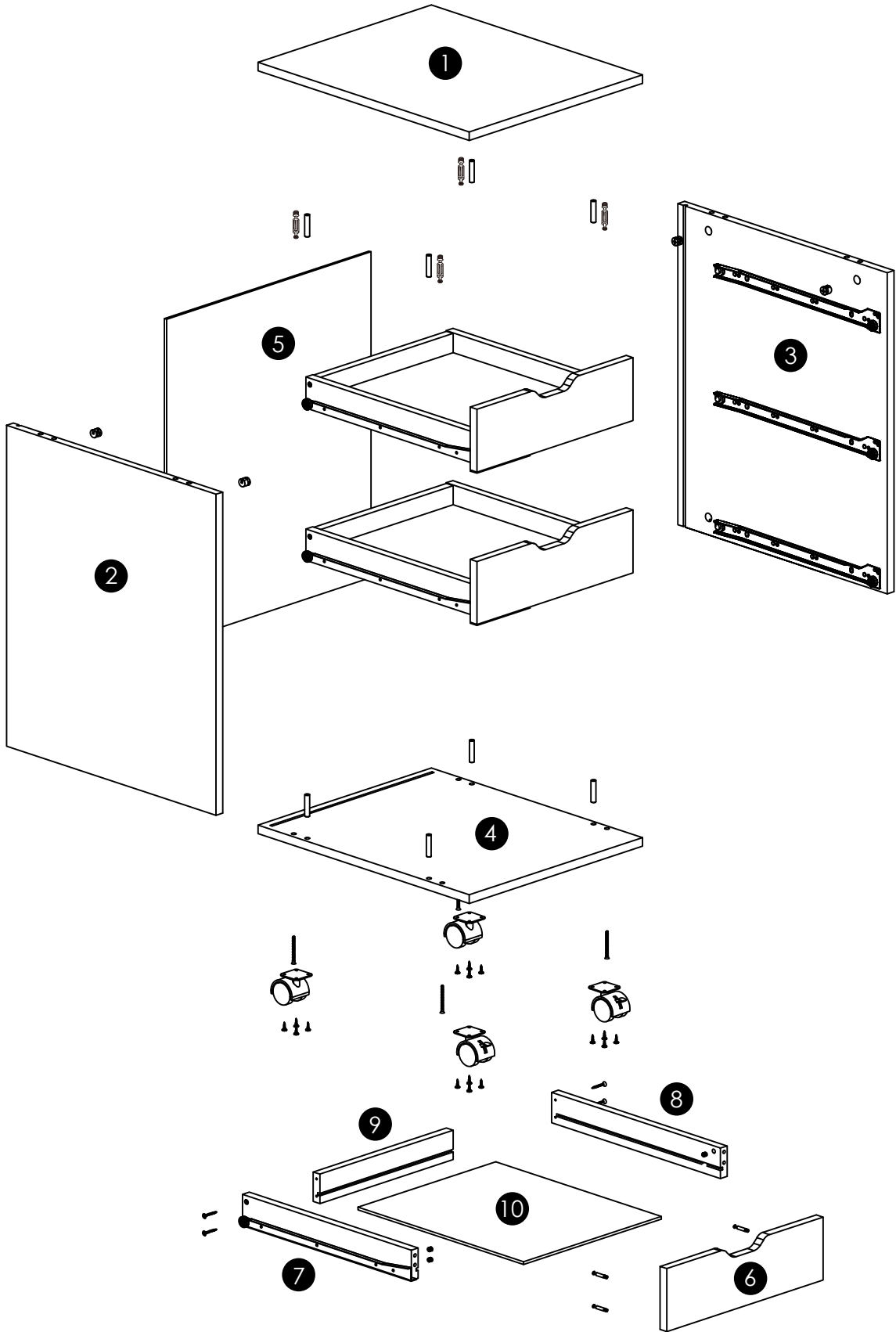
Accessory List

<p>A</p> 	<p>B</p> 	<p>C</p> 
<p>Screw (3.5*14mm) 16 Pcs</p>	<p>Sticker for drawer 4 Pcs</p>	<p>Screw M7*38 4 Pcs</p>
<p>D</p> 	<p>E</p> 	<p>F</p> 
<p>Wheel 2 Pcs</p>	<p>Lockable Wheel 2 Pcs</p>	<p>Screw (35mm) 12 Pcs</p>
<p>G</p> 	<p>H</p> 	<p>I</p> 
<p>Large Wood Dowel - 8 Pcs</p>	<p>Small Cam Bolt 12 Pcs</p>	<p>Small Klix Cam 12 Pcs</p>
<p>J</p> 	<p>K</p> 	
<p>Large Cam Bolt 4 Pcs</p>	<p>Large Klix Cam 4 Pcs</p>	

Parts List

<p>1</p> 	<p>2</p> 	<p>3</p> 
<p>Top Panel 1 Pc</p>	<p>Left Side Panel 1 Pc</p>	<p>Right Side Panel 1 Pc</p>
<p>4</p> 	<p>5</p> 	<p>6</p> 
<p>Bottom Panel 1 Pc</p>	<p>Back Panel 1 Pc</p>	<p>Front Panel (Drawer) 3 Pcs</p>
<p>7</p> 	<p>8</p> 	<p>9</p> 
<p>Left Panel (Drawer) 3 Pcs</p>	<p>Right Panel (Drawer) 3 Pcs</p>	<p>Back Panel (Drawer) 3 Pcs</p>
<p>10</p> 		
<p>Bottom Board 3 Pcs</p>		

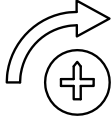
Exploded Gram



1. Attach the left and side panels to top panel.

1

FUNCTION OF KLIX CAM

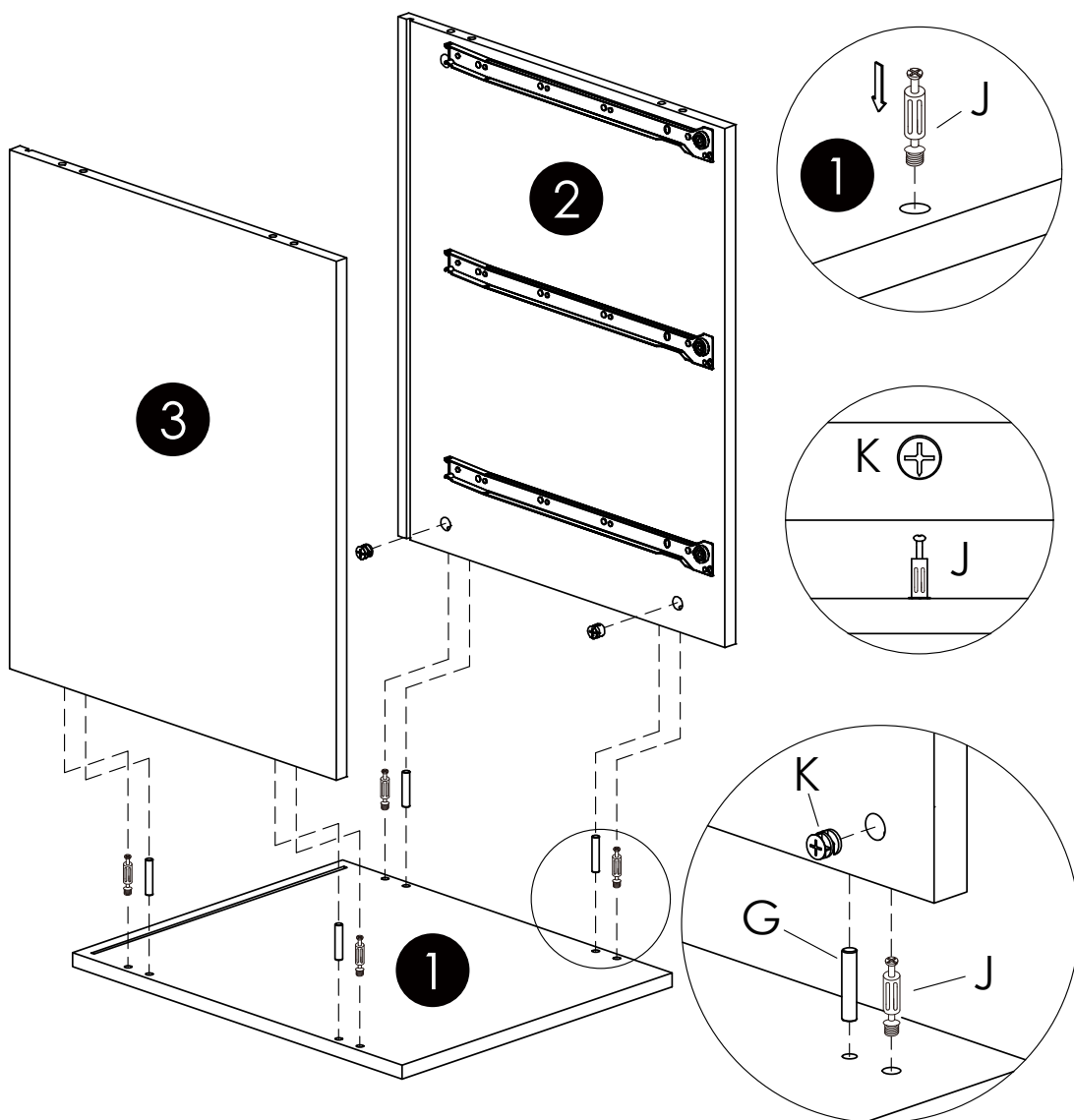


1/2 RIGHT
TURN FOR
LOCKING

MAKE SURE THE ARROW OVER AGAINST THE
TOPSIDE OF CAM LOCK PIN BEFORE
INSERTING INTO THE PANEL'S HOLE

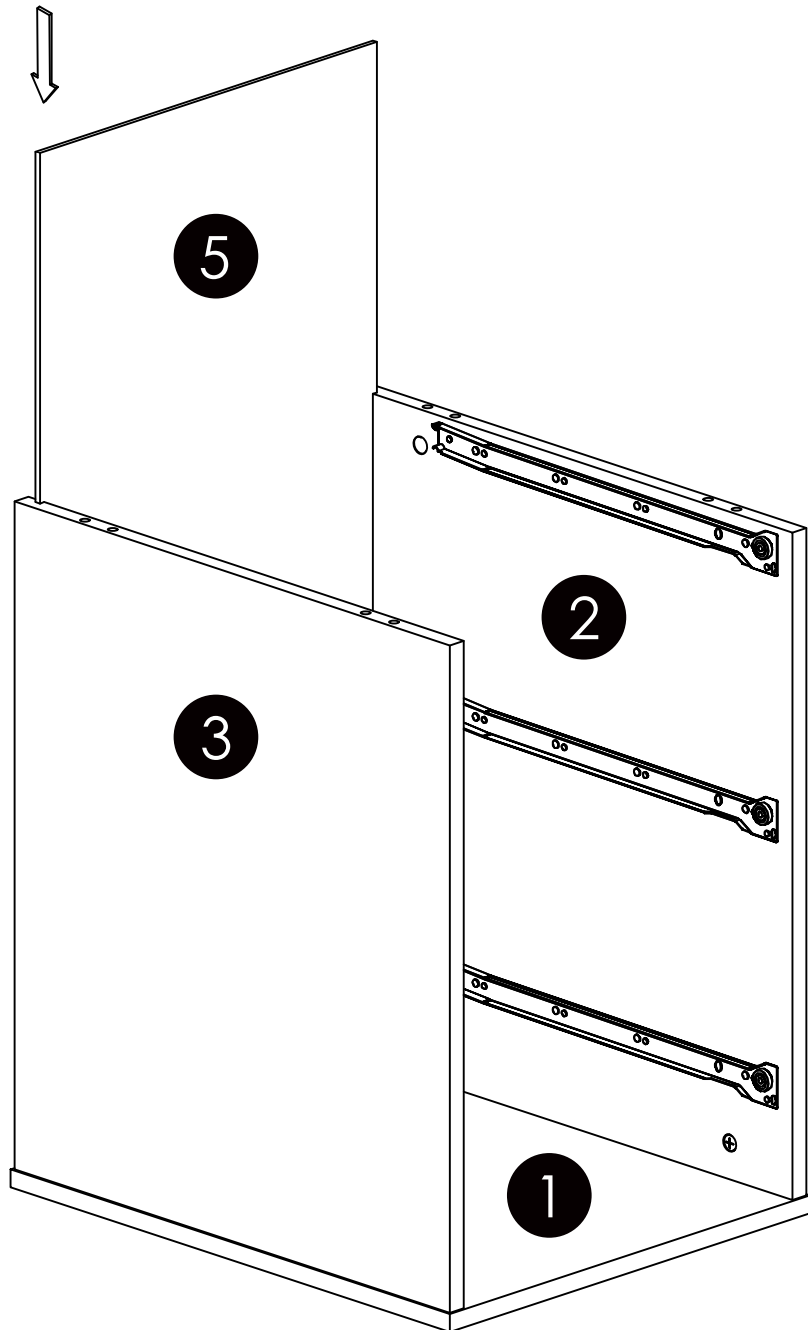
IMPORTANT!

After 1/2 right turn, if there is a gap between the panels, please check whether the cam lock pin is tighten enough.



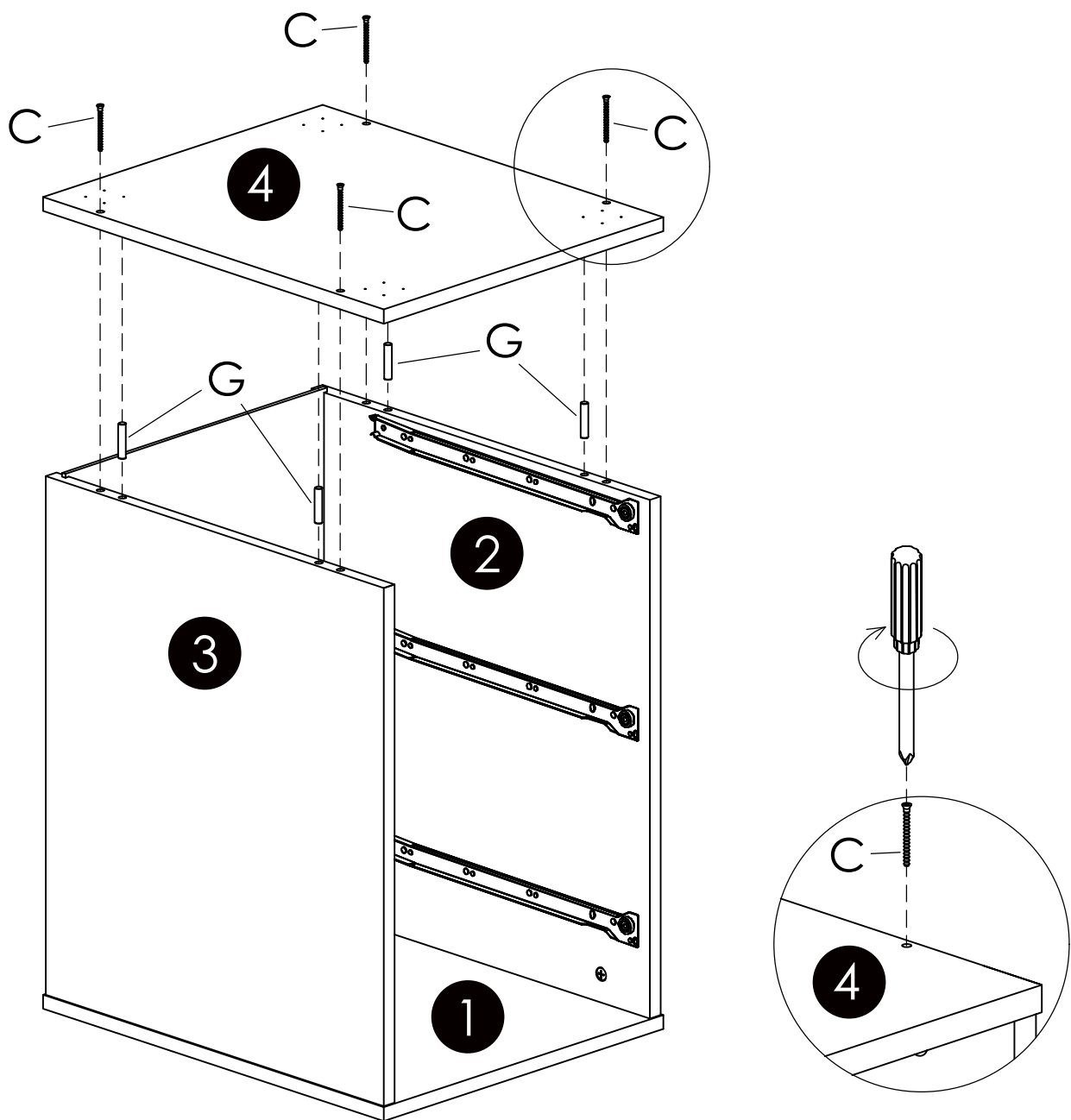
2. Insert the back panel into the side panels.

2



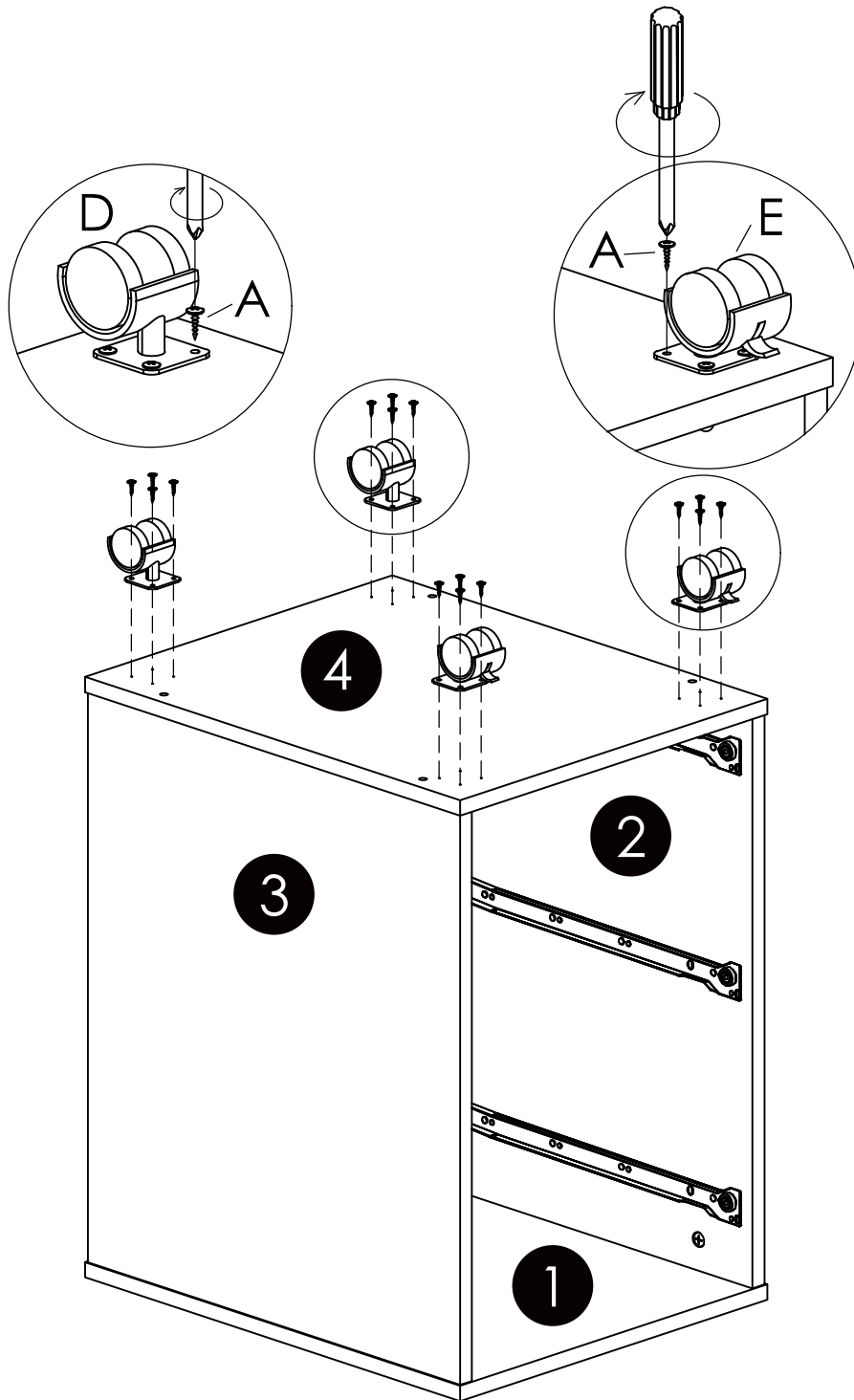
3. Attach the bottom panel to the side and back panels.

3



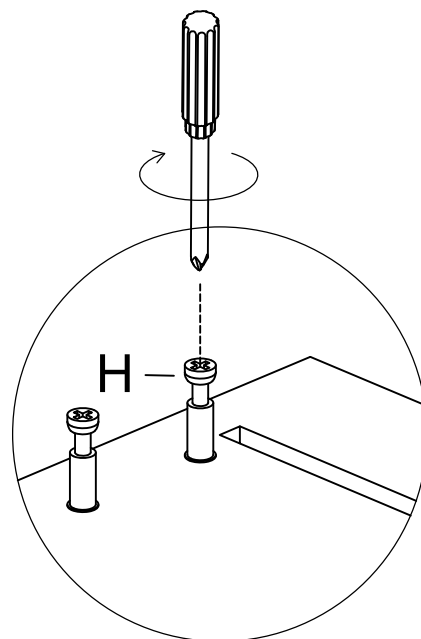
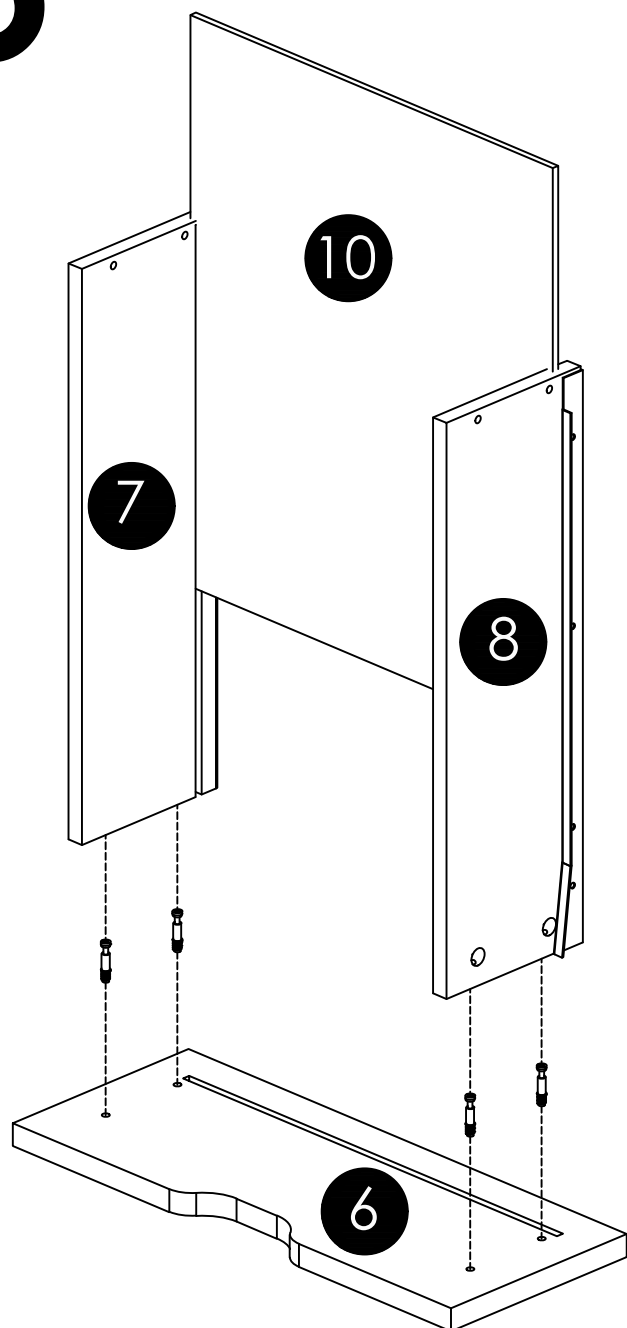
4. Install the normal wheel (back) and lockable wheel (front).

4



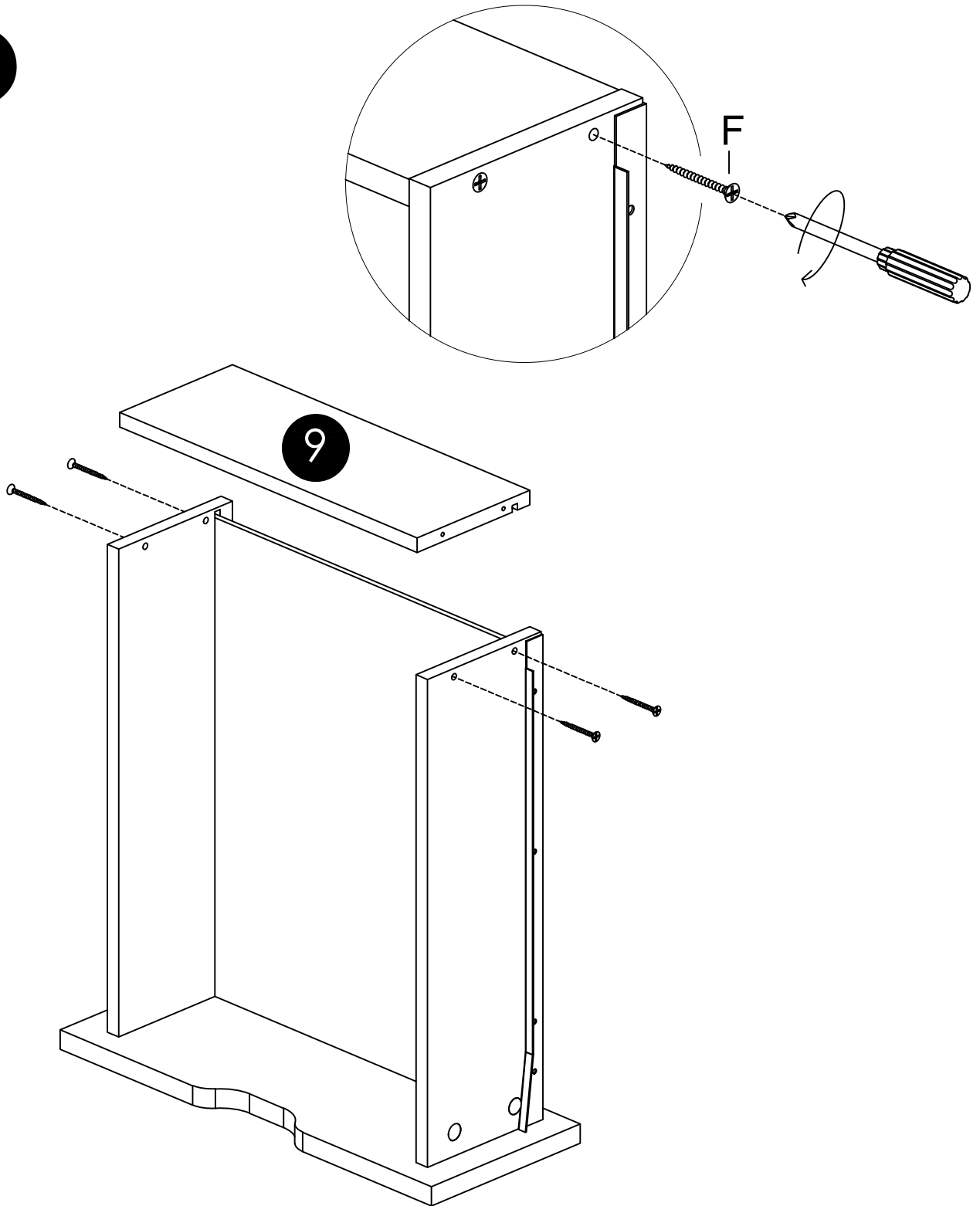
5. Attach the left and right panel(7&8) to the front panel(6) using small cam bolts(H), then insert the bottom board(10) to the gap between left and right panel.

5



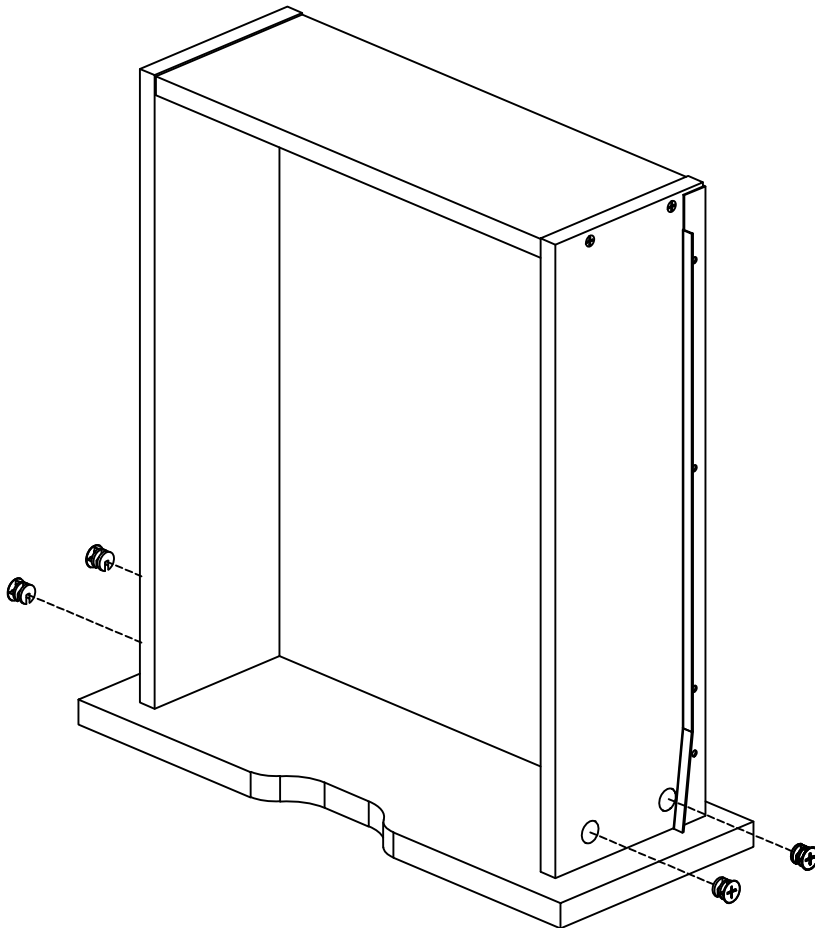
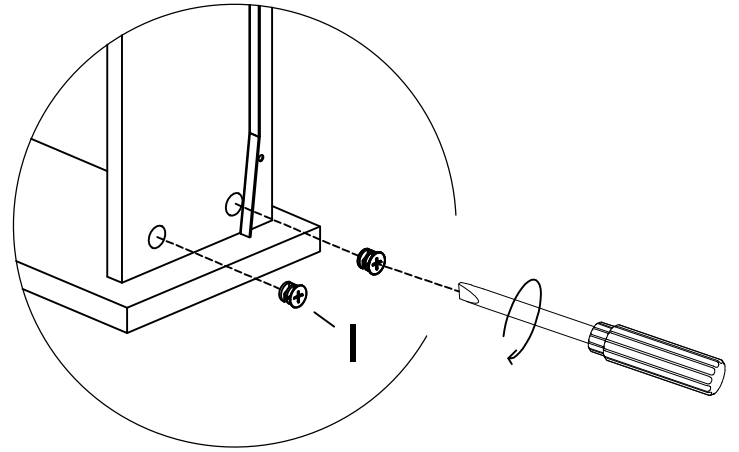
6. Attach the back panel(9) to the left and right panel using screws(F).

6



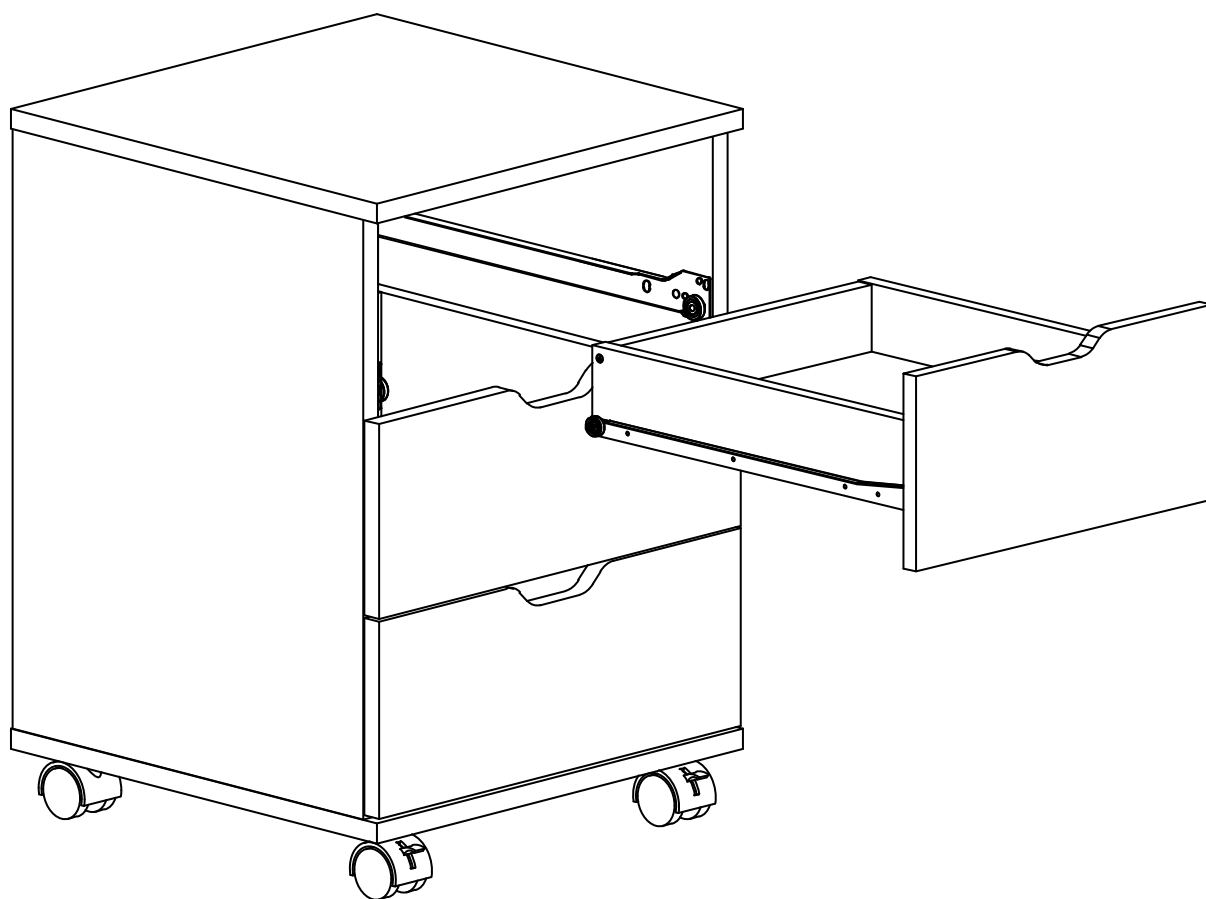
7. Put the small klix cam(I) into the hole of panel then lock the cam.

7



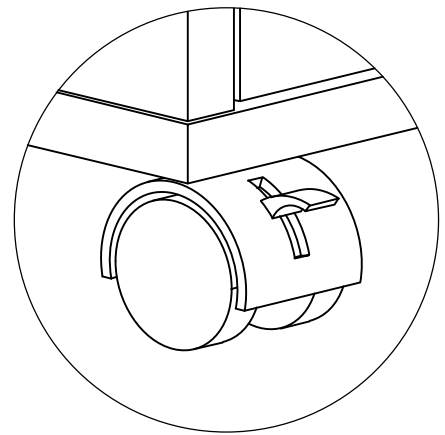
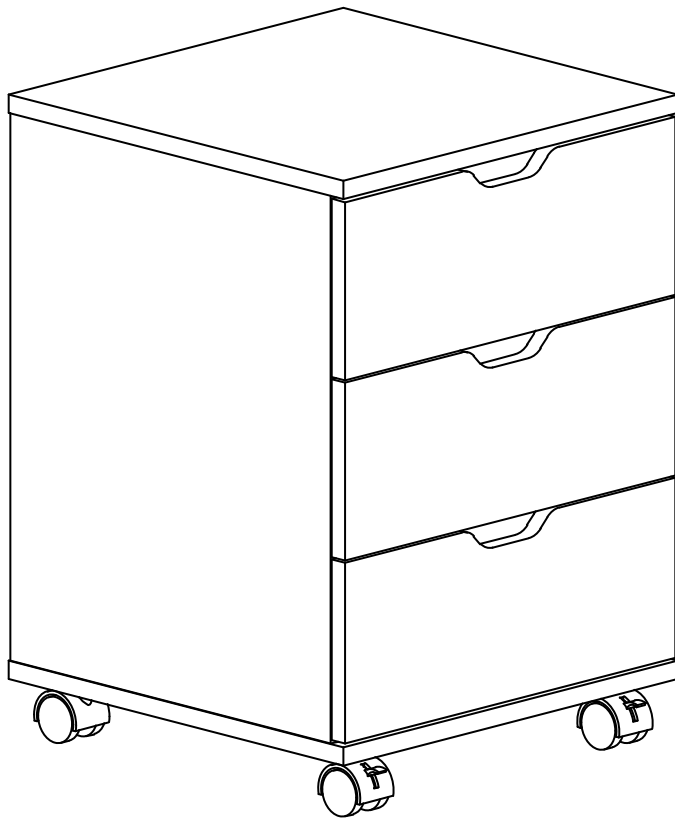
8. Put the drawer on the sliding rails.

8

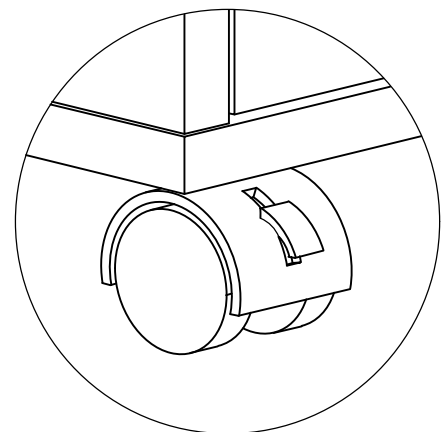


9. Lift the lever of the wheel to unlock and press the lever to lock.

9



Brake off



Brake on

Important Note

- Place all laminated parts on a clean and smooth surface such as a rug or carpet to avoid the parts from being scratched.
- Check to be sure that you have all parts and hardware.
- Remove all wrapping materials, including staples and packing straps before you start to assemble.
- Don't tighten all screws/bolts until all the pieces are completely assembled.
- Keep all hardware parts out children's reach.
- It is recommended for 2 people to complete this assembly.