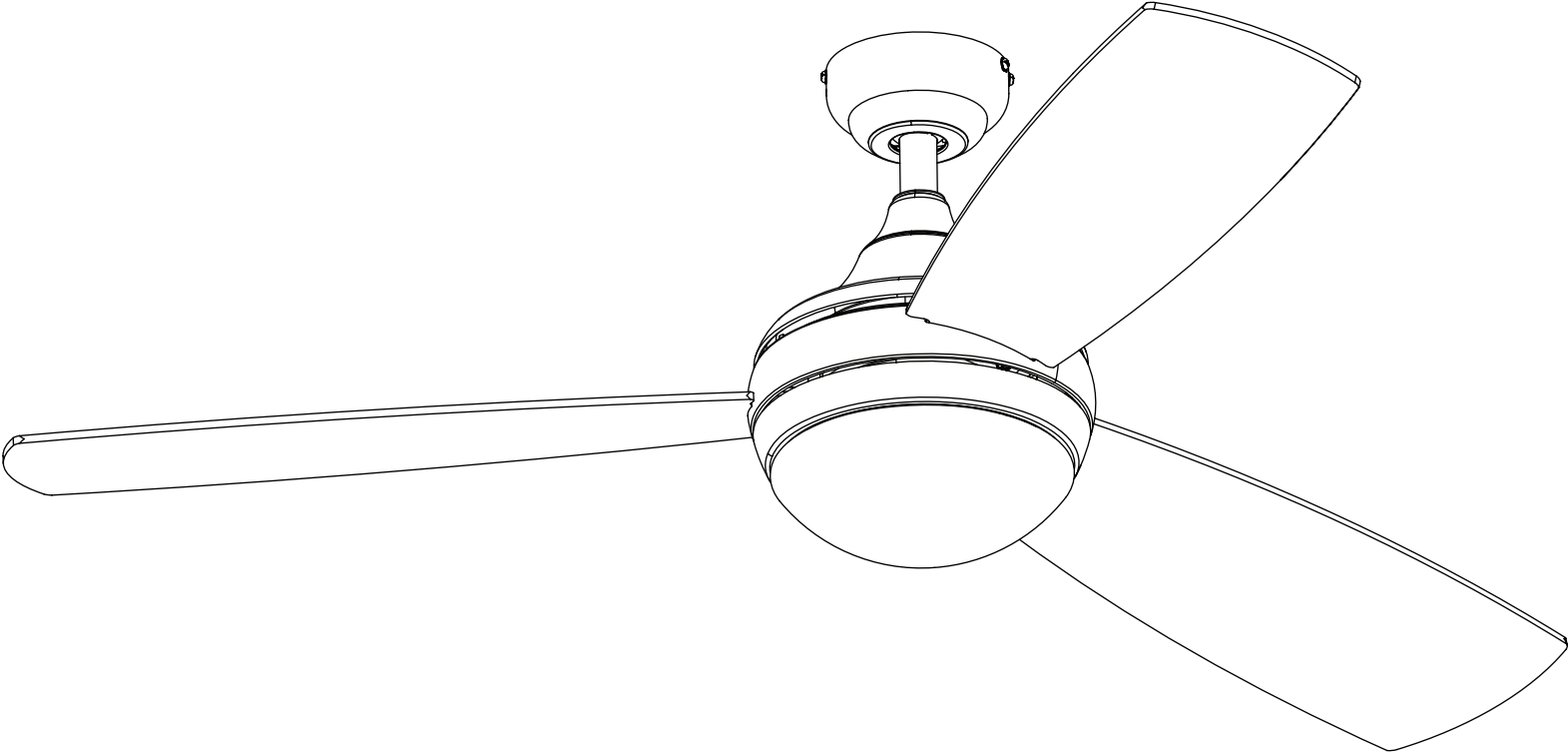
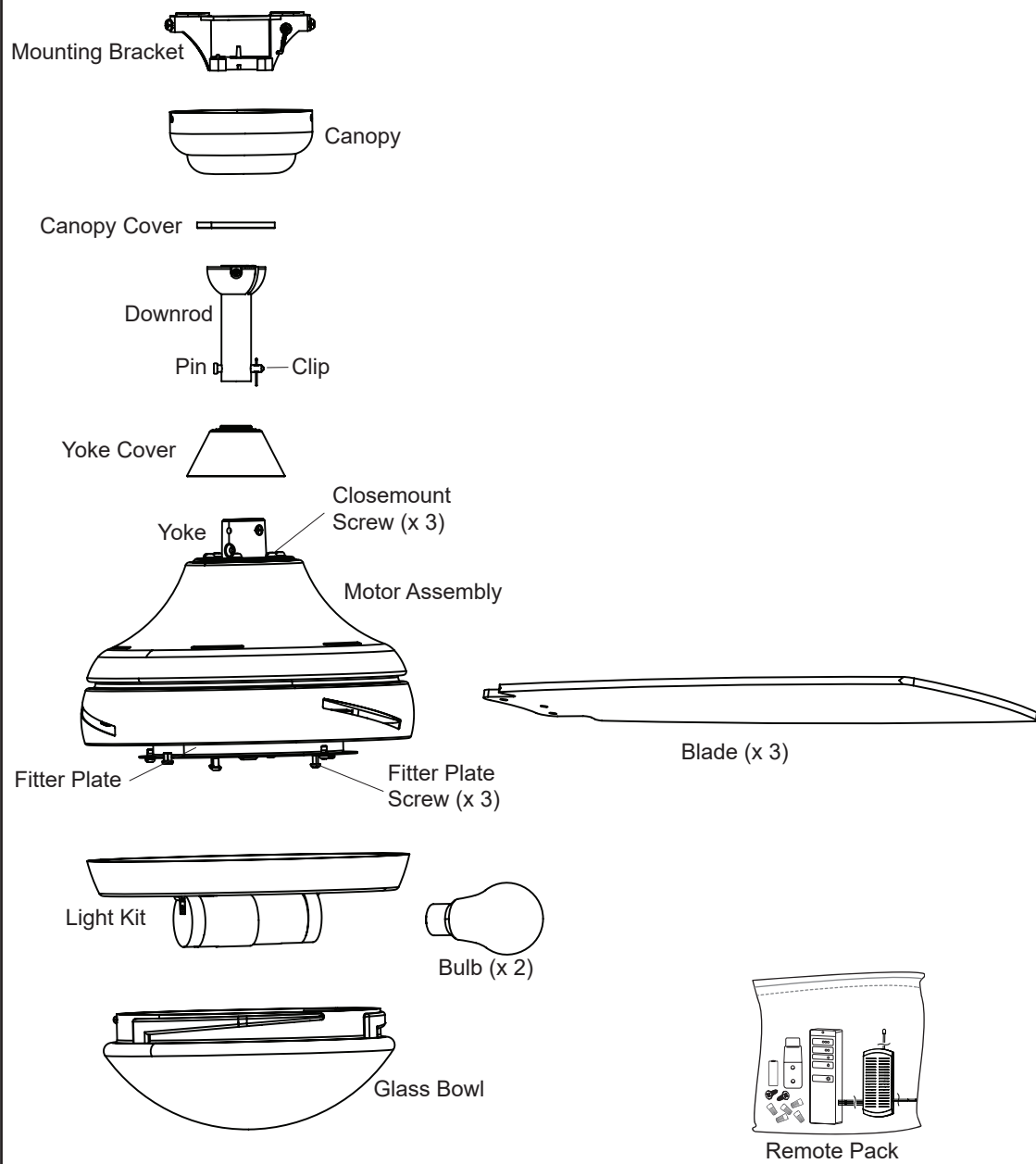


52 INCH CEILING FAN

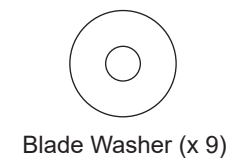
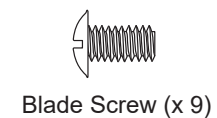
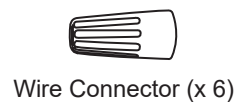


PACKAGE CONTENTS



HARDWARE CONTENTS

(not drawn to scale)



Note: Some extra fasteners are included for your convenience.

TABLE OF CONTENTS

| | |
|---------------------------------|----|
| Package Contents | 2 |
| Preparation | 3 |
| Initial Installation | 5 |
| Downrod or Angle Mounting | 6 |
| Closemount Instructions | 8 |
| Final Installation | 9 |
| Operating Instructions | 12 |
| Safety Information | 13 |
| Care and Maintenance | 13 |
| Troubleshooting | 14 |
| Warranty | 15 |

PREPARATION

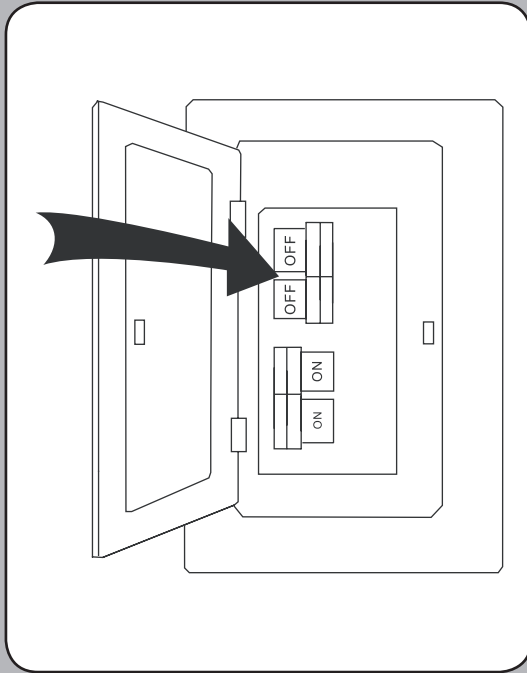
Before beginning the assembly of this product, ensure all parts are present. Compare all parts with the package contents list and hardware contents list. If any part is missing or damaged, do not attempt to assemble the product.

Estimated Assembly Time: 120 minutes

Tools required for assembly (not included): Electrical tape, Phillips Screwdriver, Pliers, Safety Glasses, Step Ladder, and Wire Strippers

Helpful Tools (not included): AC Tester Light, Tape Measure, Wiring Handbook and Wire Cutters

PREPARATION



1. Turn off power.

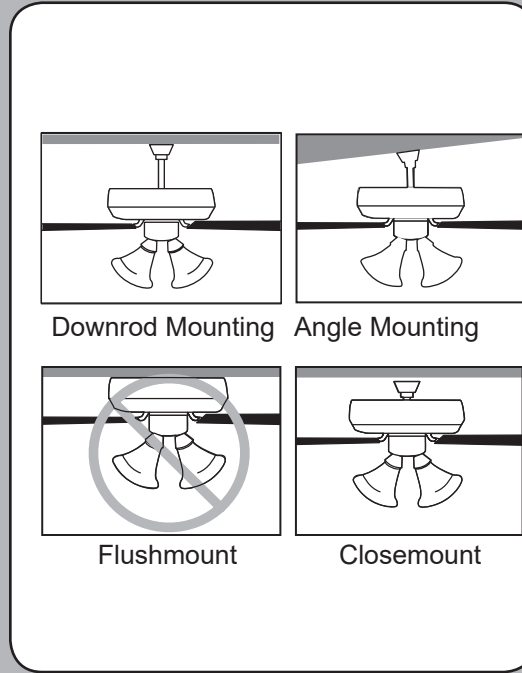
Turn off the power to the fan at the breaker box and the wall switch.



Failure to disconnect the power supply prior to installation may result in serious injury or death.



See page 13 for complete description of cautions and warnings.



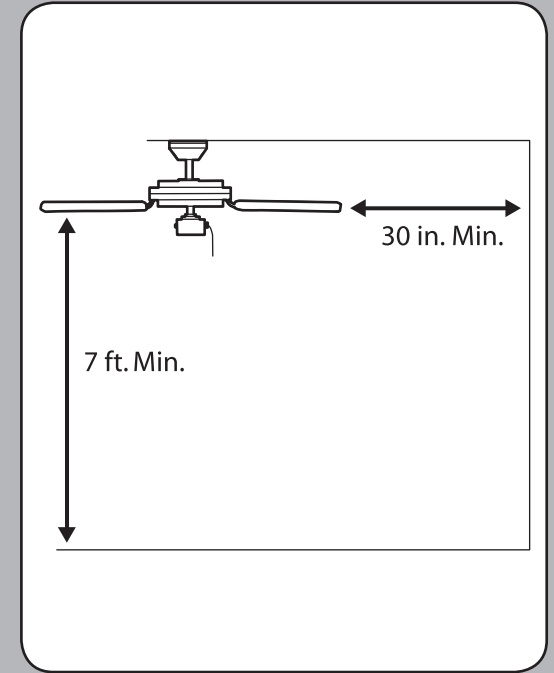
2. Choose mounting option.

Standard Mounting is best suited for ceilings 8 ft. or higher. For very high ceilings, use a longer downrod (not included).

Angle Mounting is best suited for angled or vaulted ceilings. A longer downrod is sometimes necessary to ensure proper blade clearance. Ensure the ceiling angle is not steeper than 10 degrees.

Flushmount installation is not available for this item.

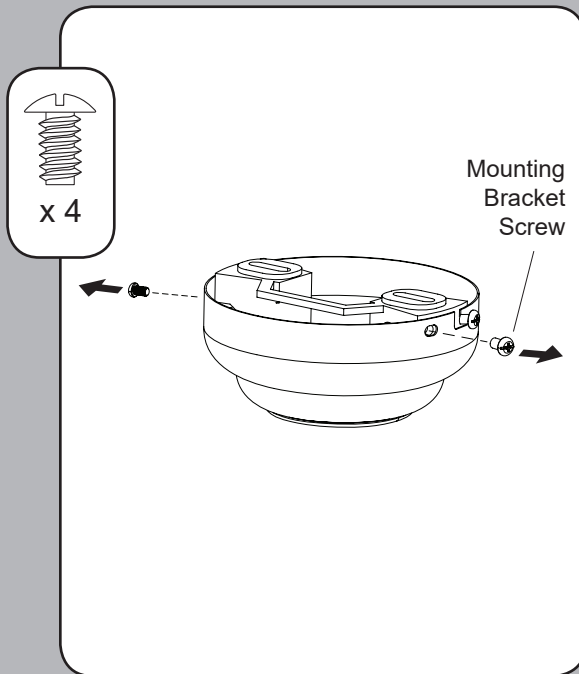
Closemount installation is best suited for ceilings 8 ft. or lower.



3. Choose suitable location.

Ensure the blades will be at least 30 inches from any obstructions. Also check the downrod length to ensure the blades will be at least 7 feet above the floor.

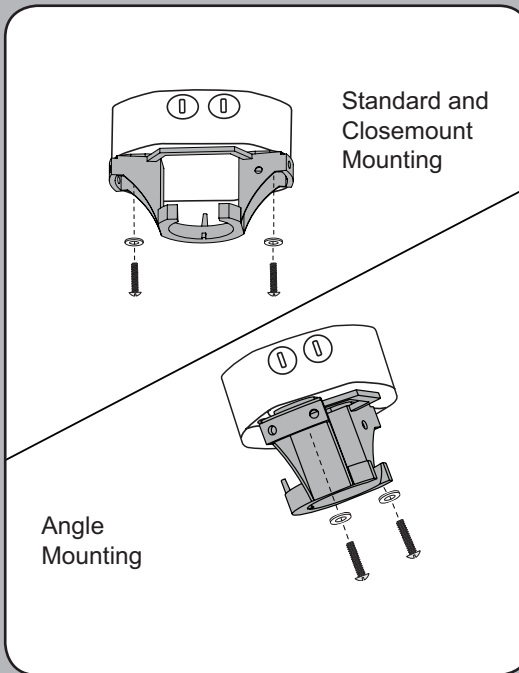
INITIAL INSTALLATION



1. Remove the mounting bracket.

Loosen all four mounting bracket screws and completely remove the two screws from the round holes in the canopy. Then, remove the mounting bracket from the canopy.

Note: Save the mounting bracket screws for later use.

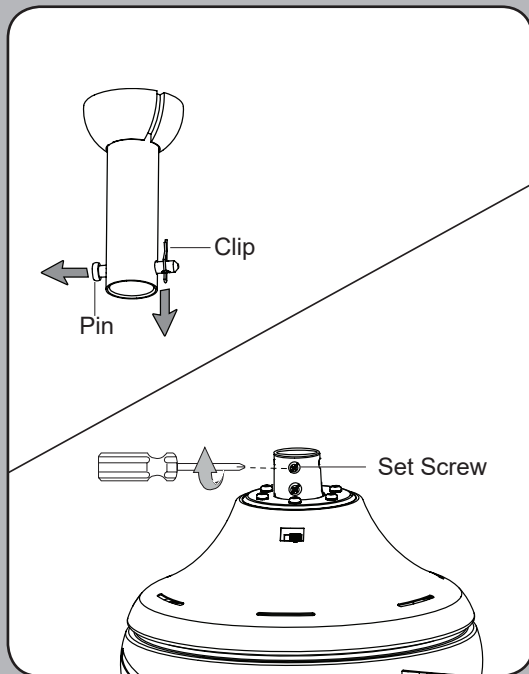


2. Install the mounting bracket.

Install the mounting bracket to the outlet box (sold separately) using the screws and washers provided with the outlet box.

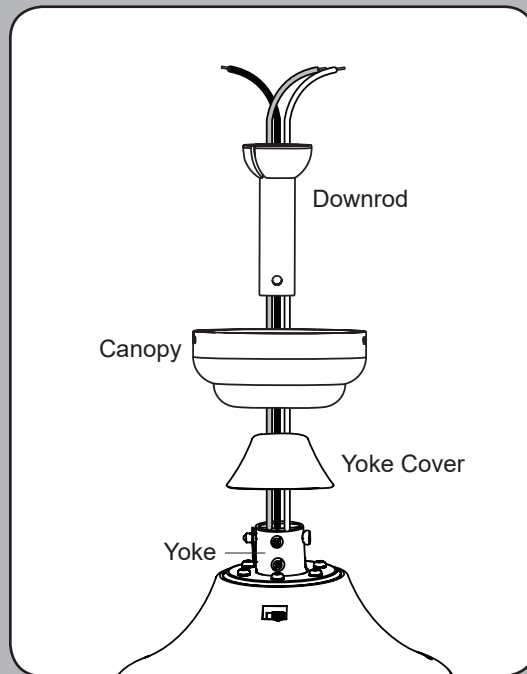
For Closemount Installation, skip to Page 8.

DOWNROD OR ANGLE MOUNTING

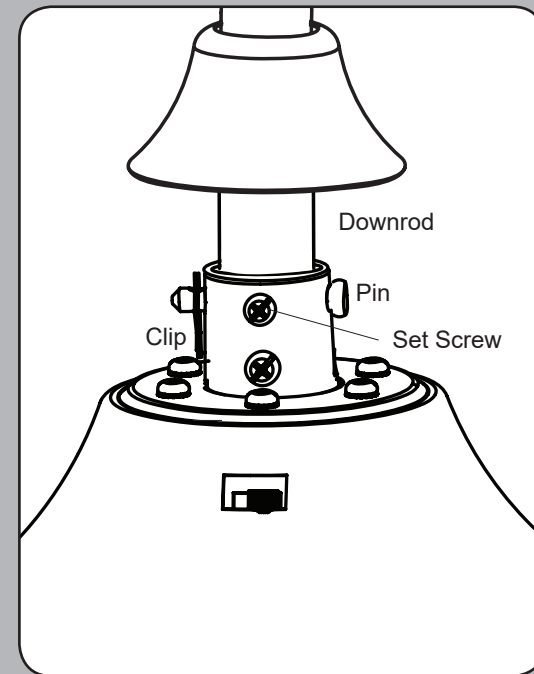


1. Loosen set screws and remove pin and clip.

Remove the clip and pin from the downrod. Then partially loosen the two set screws in the yoke at the top of the motor assembly.



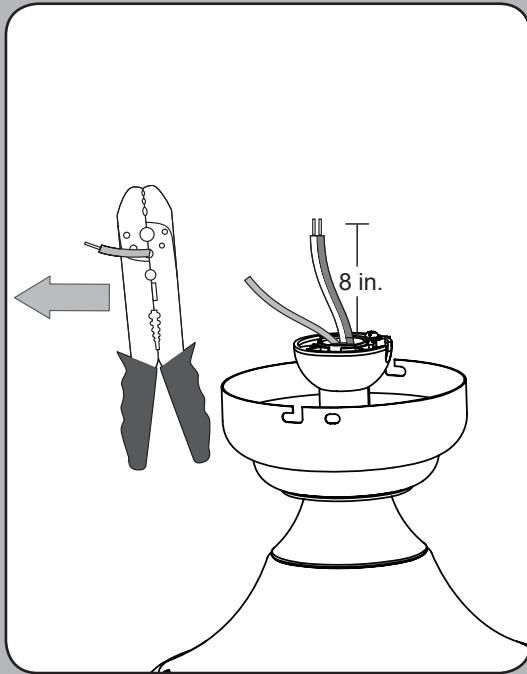
2. Feed the wires through the yoke cover, canopy, and downrod.



3. Install the downrod into the yoke.

Slide the downrod into the yoke at the top of the motor assembly. Align the holes, and reinstall the pin and clip. Then securely tighten both set screws.

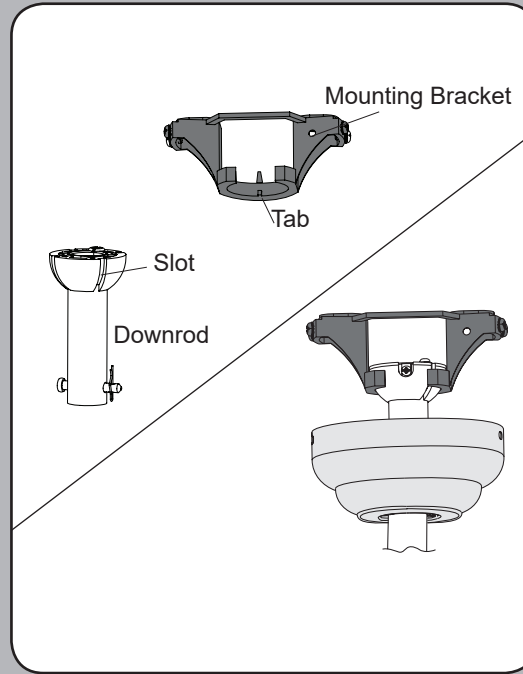
DOWNROD OR ANGLE MOUNTING



4. Trim fan wires.


Depending on the length of downrod you use, you may want to cut the fan wires to simplify wiring. After pulling the wires all the way through the downrod, measure 8 inches of wire. Cut off the excess wire using wire cutters (not included).

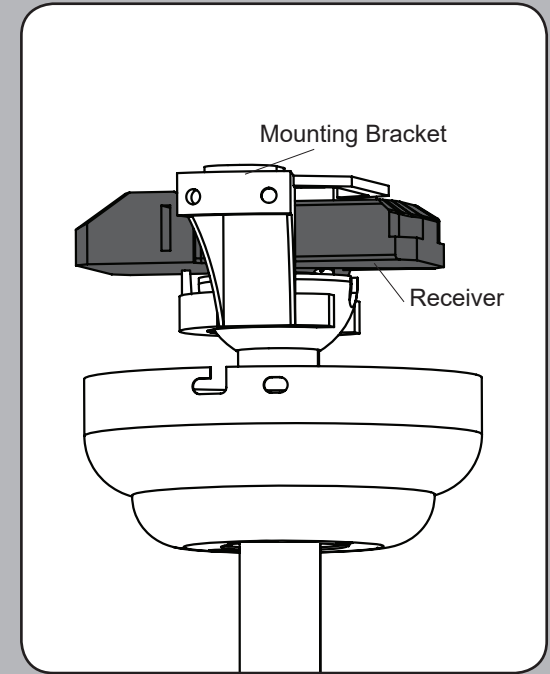
Strip 1/2 inch of insulation from the end of each wire. Twist the stripped ends of each wire strand. **Note:** If you didn't trim the wires in the previous step, this step is not necessary.



5. Hang downrod in mounting bracket.

Install the ball end of the downrod into the opening of the mounting bracket. Align the slot in the ball with the tab on the mounting bracket.

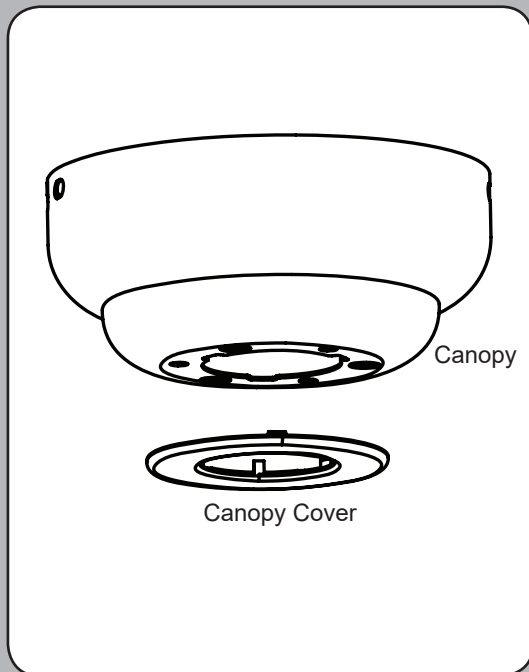
 Failure to align the slot in the ball with the tab on the mounting bracket may cause the fan to fall, which could result in injury or death.



6. Place receiver in mounting bracket.

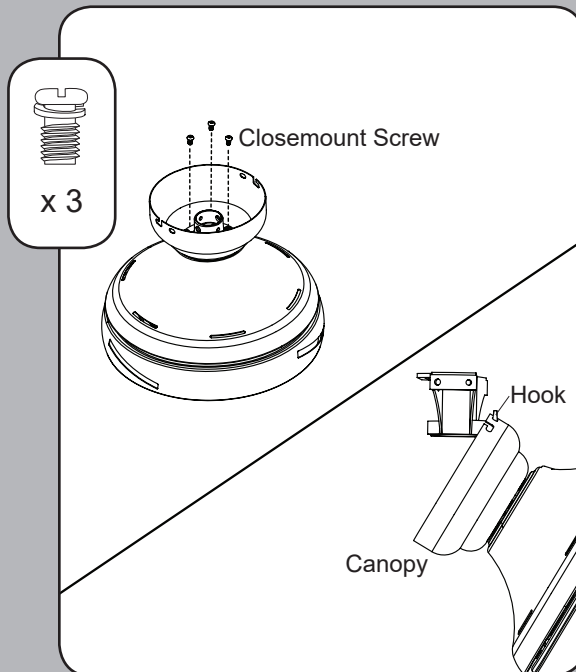
Proceed to **FINAL INSTALLATION**, page 9.

CLOSEMOUNT INSTALLATION (optional)



1. Remove canopy cover from bottom of canopy.

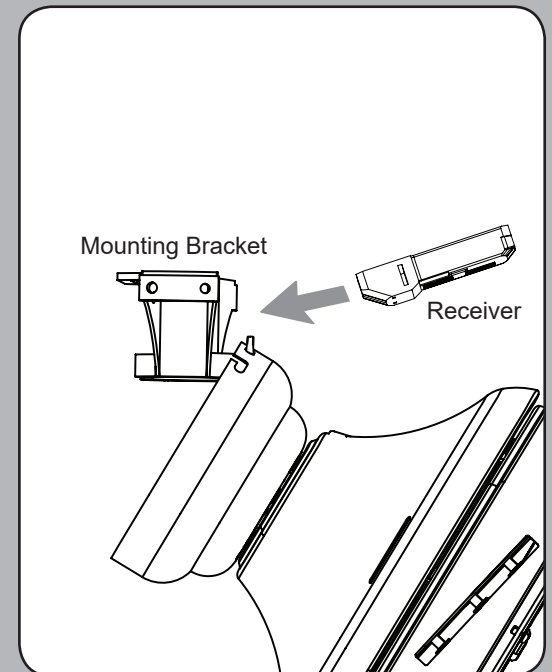
The canopy cover snaps out of the hole in the bottom of the canopy.



2. Install canopy to top of motor assembly.

Remove the three Phillips-head closemount screws from the top of the motor assembly. Then, align the canopy with the holes in the top of the motor assembly. The larger holes in the canopy will encompass the remaining screws. Secure the canopy to the top of the motor assembly with the closemount screws.

Then, raise the motor assembly and place the canopy on the mounting bracket hook to temporarily hold the fan during the wiring process.

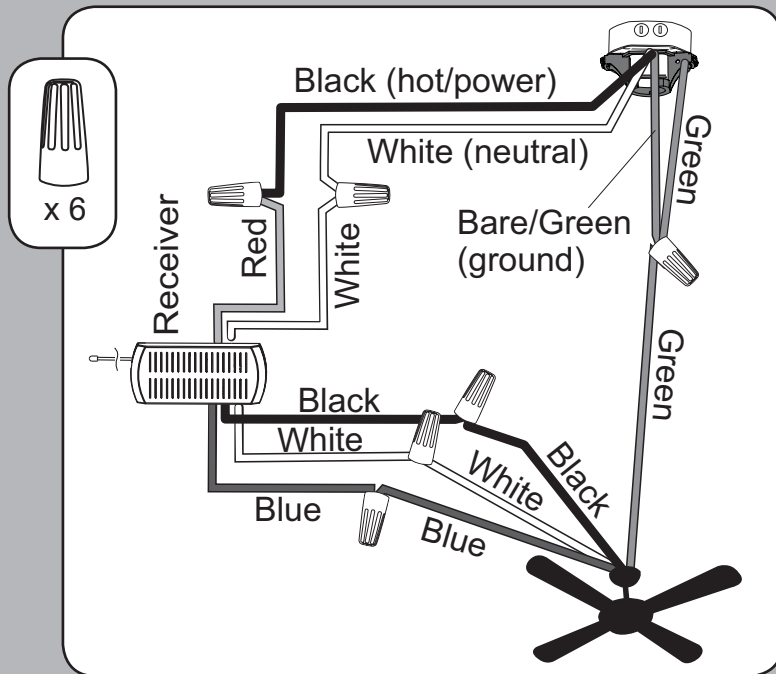


3. Insert the receiver into the mounting bracket.

Insert the receiver into the opening of the mounting bracket to prepare for the wiring process.

Note: The receiver rests in the opening of the mounting bracket. It will be held in place when the canopy is secured to the mounting bracket.

FINAL INSTALLATION



1. Wire the fan.

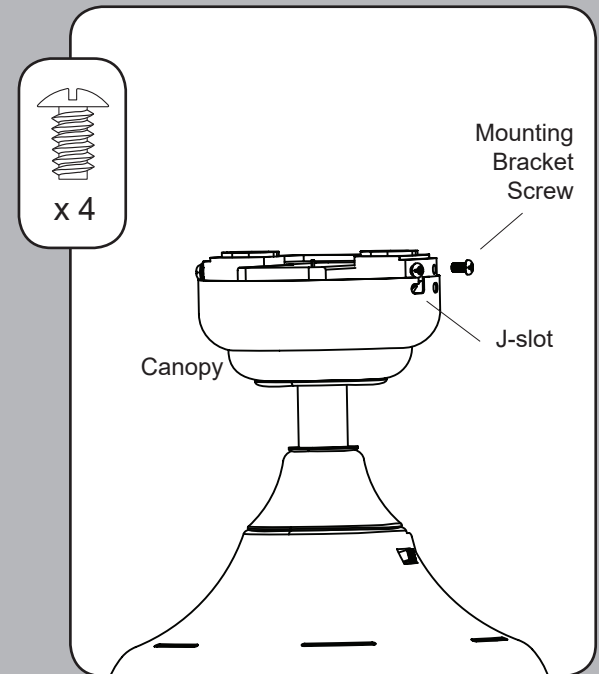
Connect household supply and fan wires according to the diagram and these steps:

- Connect the white wire with the red label from the receiver to the white (neutral/common) supply wire.
- Connect the red wire with the red label from the receiver to the black (hot/power) supply wire.
- Connect the green wire from the fan and the mounting bracket to the bare/green (ground) supply wire.
- Connect the black wire from the receiver to the black fan wire.
- Connect the white wire from the receiver to the white fan wire.
- Connect the blue wire from the receiver to the blue fan wire.

Important: After the connections have been made, the wires should be turned upward and pushed carefully up into the outlet box. Place the black and white wire connections on opposite sides of the outlet box.



If the household supply wires are different colors than those referred to above, a professional electrician should determine proper wiring.

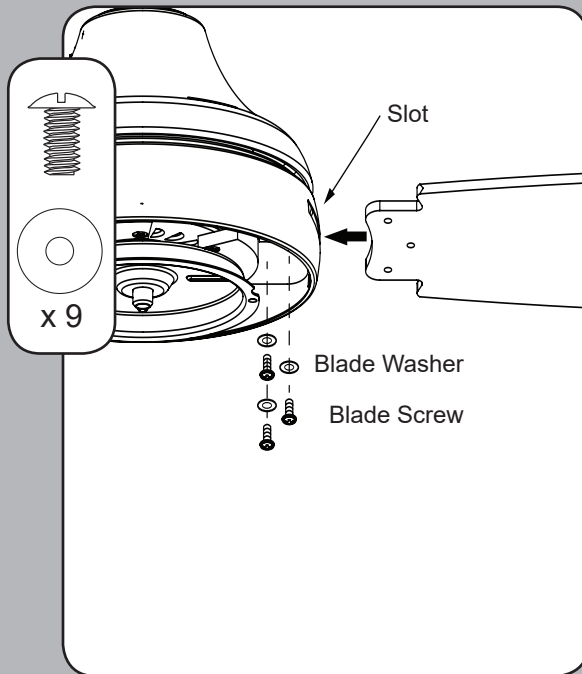


2. Attach the canopy to the mounting bracket.

Align the canopy over the loosened mounting bracket screws preassembled to the mounting bracket. Place the J-slot of the canopy onto the mounting bracket screws and rotate clockwise.

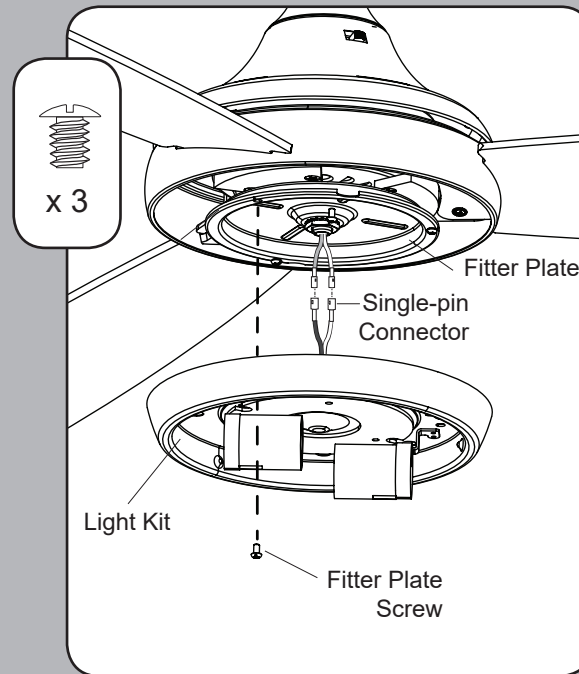
Re-install the two previously removed mounting bracket screws into the round holes of the canopy and tighten all four mounting bracket screws.

FINAL INSTALLATION



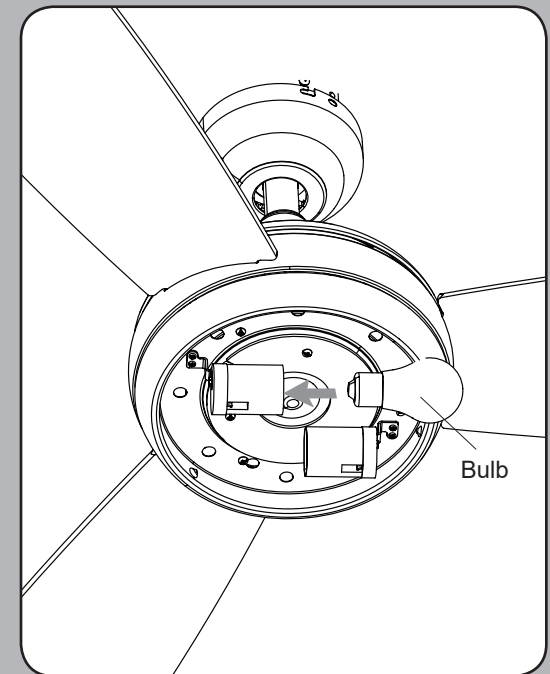
3. Attach blades to motor.

Insert blade through slot in the side of the motor assembly. Align the holes of one blade with three blade screw holes in underside of the motor assembly. Secure with three blade screws and blade washers. Repeat this step for the remaining blades.



4. Connect light kit wires.

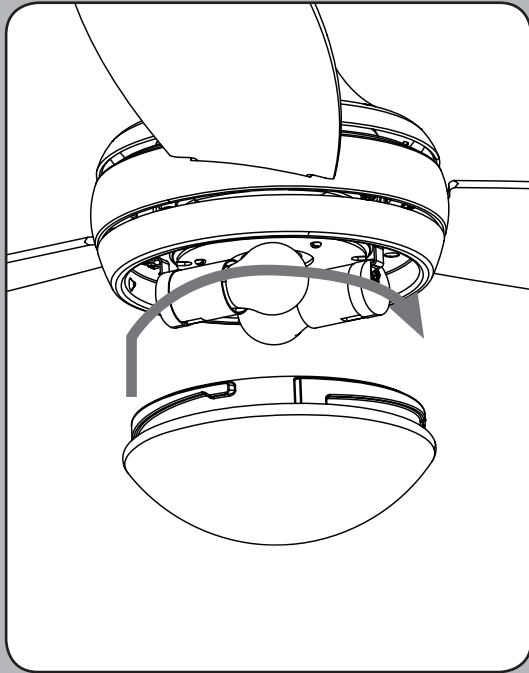
Remove one of the three fitter plate screws preassembled to the fitter plate and loosen the other two but do not remove. Connect the single-pin connector from the fitter plate to the single-pin connector from the light kit -- blue to black and white to white. Align the slotted holes in the light kit with the loosened screws in the fitter plate. Turn light kit clockwise and replace the previously removed fitter plate screw. Tighten all screws.



5. Install the two E26-base LED bulbs.

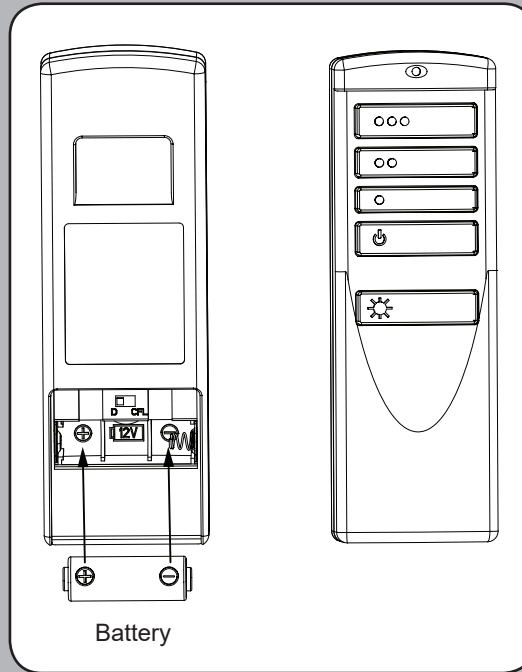
Replacement Bulbs - Use E26-base LED, CFL, or incandescent bulbs (60 watts max.). Halogen bulbs are not recommended for this item.

FINAL INSTALLATION



6. Install glass bowl.

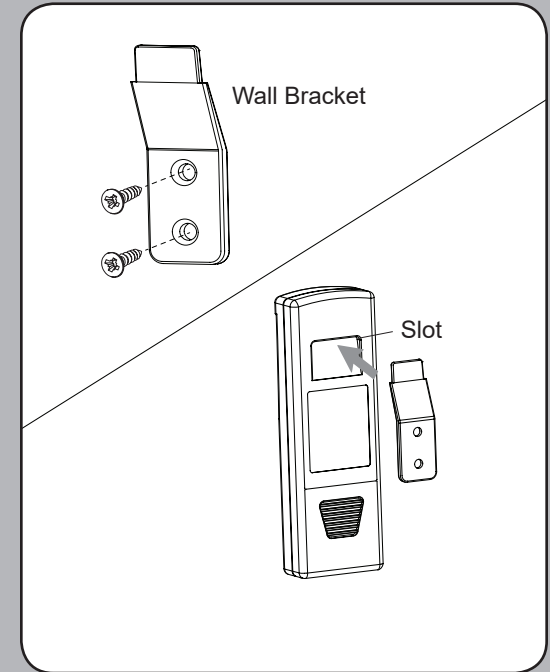
Lift the glass bowl into the light kit and twist in a clockwise direction until it is secure.



7. Install battery.

Remove the battery cover from the back of the remote found in remote pack. Insert the battery from remote pack into the remote; ensure polarity of battery matches the polarity indicated in the battery compartment -- positive (+) to positive (+) and negative (-) to negative (-). Replace the battery cover and press the fan power button on the remote to ensure the LED indicator illuminates and the remote turns on the fan.

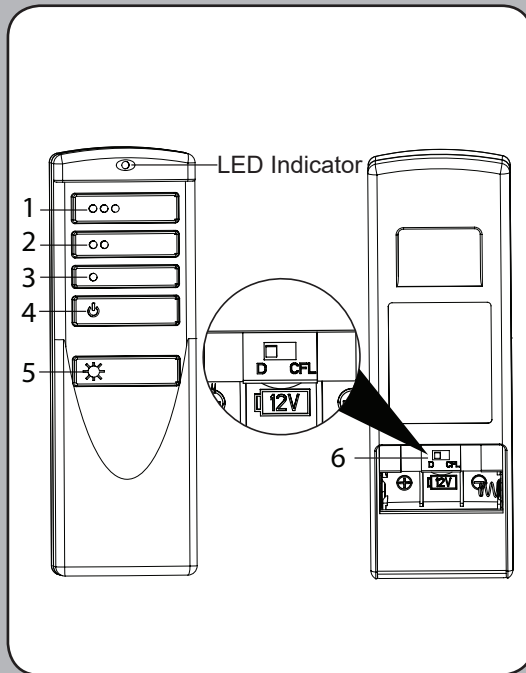
Note: If remote doesn't turn on the fan, see TROUBLESHOOTING.



8. Install wall bracket.

If you wish to install the wall bracket from the remote pack, choose desired location and insert screws from remote pack into holes of wall bracket and into installation site. Store the remote on the wall bracket by placing the slot on the back of the remote onto the wall bracket.

OPERATING INSTRUCTIONS



1. Remote operation.

To operate the fan using the remote, press and release the following buttons:

- 1 - High fan speed
- 2 - Medium fan speed
- 3 - Low fan speed
- 4 - Fan Power - Turns the fan off.

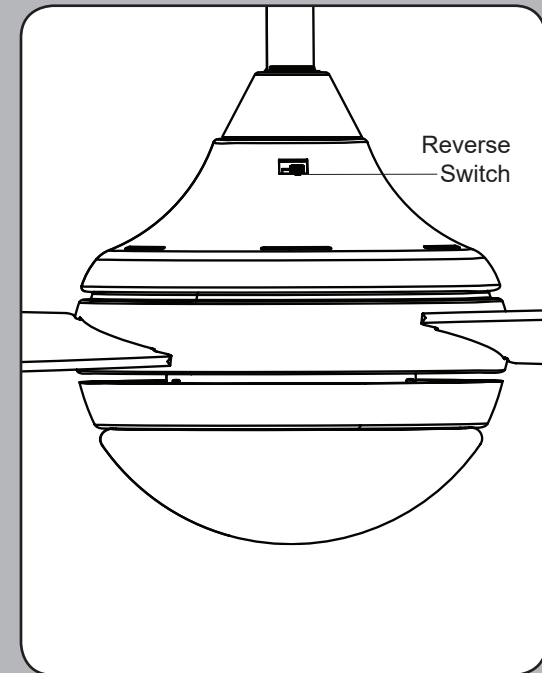
Light Delay Off mode - Press and hold the fan power button (4) for five seconds, which will turn off light after one minute. The LED indicator on the remote will flash four times to confirm mode setting.

5 - Light Control:

Dimmable Bulbs - Press light control to turn lights off and on. Press and hold light control to dim or brighten the lights.

Nondimmable Bulbs - Turns the lights on and off. **Note:** The dimmer function does not work with nondimmable bulbs.

6 - D/CFL Switch: Switch should be set to "D" to correspond with the included dimmable bulbs. Flip to "CFL" if you change to non-dimmable bulbs.



2. Reverse switch operation.

Use the fan reverse switch, located on the switch housing to optimize your fan for seasonal performance.

Using a ceiling fan will allow you to raise your thermostat setting in summer and lower your thermostat setting in winter without feeling a difference in your comfort.

Note: Wait for the fan to stop before moving the reverse switch.


In warmer weather, push the reverse switch left which will result in downward airflow creating a wind chill effect.


In cooler weather, push the reverse switch right which will result in upward airflow that can help move stagnant, hot air off the ceiling area.


SAFETY INFORMATION


Please read and understand this entire manual before attempting to assemble, operate or install the product.


- Before you begin installing the fan, disconnect the power by removing fuses or turning off the circuit breakers.
- Make sure all electrical connections comply with local codes, ordinances, the National Electrical Code and ANSI/NFPA 70-199. Hire a qualified electrician or consult a do-it-yourself wiring handbook if you are unfamiliar with installing electrical wiring.
- Make sure the installation site you choose allows a minimum clearance of 7 ft. from the blades to the floor and at least 30 in. from the end of the blades to any obstruction.
- The net weight of this fan is: 15.14 lbs.


 **DANGER:** When using an existing outlet box, make sure the outlet box is securely attached to the building structure and can support the full weight of the fan. Failure to do this can result in serious injury or death. The stability of the outlet box is essential in minimizing wobble and noise in the fan after installation is complete.


 **WARNING:** To avoid personal injury, the use of gloves may be necessary while handling fan parts with sharp edges.

 **WARNING:** Using a full-range dimmer switch to control fan speed will cause a loud humming noise from the fan. To reduce the risk of fire or electric shock, do NOT use a full-range dimmer switch to control the fan speed.

 **WARNING:** To reduce the risk of fire, electric shock or personal injury, mount the fan to an outlet box marked “ACCEPTABLE FOR FAN SUPPORT” and use the mounting screws provided with the outlet box. Most outlet boxes commonly used for the support of lighting fixtures are not acceptable for fan support and may need to be replaced. Consult a qualified electrician if in doubt. Secure the outlet box directly to the building structure. The outlet box and its support must be able to support the moving weight of the fan (at least 35 lbs.).

 **WARNING:** To reduce the risk of fire, electric shock or personal injury, wire connectors provided with this fan are designed to accept only one 12-gauge house wire and two lead wires from the fan. If your house wire is larger than 12-gauge and/or there is more than one house wire to connect to the two fan lead wires, consult an electrician for the proper size wire connectors to use.

 **WARNING:** To reduce the risk of fire, electric shock or personal injury, do not bend the blade arms when installing them, balancing the blades or cleaning the fan. Do not insert objects between the rotating fan blades.

 **WARNING:** To reduce the risk of personal injury, use only parts provided with this fan. The use of parts OTHER than those provided with this fan will void the warranty.

CAUTION: Be sure the outlet box is properly grounded or a ground (green or bare) wire is present.

CAUTION: Carefully check all screws, bolts, and nuts on the fan assembly ensure they are secured.

CARE AND MAINTENANCE

At least twice each year, lower the canopy to check the downrod assembly and tighten all screws on the fan. Clean the motor housing with only a soft brush or lint-free cloth to avoid scratching the finish. Clean the blades with a lint-free cloth.

Important: Shut off the main power supply before you begin any maintenance task. Do NOT use water or a damp cloth to clean the fan.

TROUBLESHOOTING

| PROBLEM | CORRECTIVE ACTION |
|--|--|
| The fan does not move. | <ol style="list-style-type: none"> 1. Firmly push the reverse switch completely left or right. 2. Make sure the wall switch is turned on. 3. Ensure power is on at wall switch and breaker box 4. Turn the power off and check all wire connections at the ceiling outlet box. |
| The fan is noisy. | <ol style="list-style-type: none"> 1. Check and tighten all screws that hold the fan blades to the blade arms and motor. 2. Replace any blade that is cracked or damaged. 3. Do not use a variable-speed wall control to control the fan speed. 4. Ensure the outlet box is securely mounted to the building structure. 5. Ensure the mounting bracket is securely mounted to the outlet box. |
| The fan wobbles excessively. | <ol style="list-style-type: none"> 1. Tighten all screws that hold the fan blades to the blade arms and blade arms to motor. 2. Switch one blade with a blade from the opposite side. Or balance the fan using the blade balancing kit. 3. Turn off power. Loosen the canopy and verify that the mounting bracket is secure to the electrical outlet box. The mounting bracket must be flush without movement against the outlet box. 4. Use a longer downrod or move the fan to another location if the fan is too close to the ceiling. 5. Ensure the mounting bracket is securely mounted to the outlet box. 6. Tighten the set screws in the yoke. |
| The fan operates correctly but the lights are not working. | <ol style="list-style-type: none"> 1. Install new bulbs. 2. Ensure the single-pin connectors from the switch housing to the light kit are connected properly. 3. Turn the power off and check all wire connections between the fan and outlet box. |
| Remote control does not work. | <ol style="list-style-type: none"> 1. Turn off the main power, then turn it back on. Within 30 seconds, press and hold the high and low speed buttons on the remote at the same time for 5 seconds. The LED indicator will flash 3 times, signaling a successful synchronization. Once complete, the fan will start on the low speed with the light (if applicable) off. 2. Insert new 12V battery in battery compartment of the remote control (see page 11). 3. If there are several fans in close proximity, turn power off to other fans and resync the remote to the receiver (see corrective action 1 above). |

LIFETIME LIMITED WARRANTY

The manufacturer warrants this fan to be free from defects in workmanship and materials present at time of shipment from the factory for a lifetime from the date of purchase by the original purchaser. The retailer also warrants that all other fan parts, excluding any glass or acrylic blades, to be free from defects in workmanship and material at the time of shipment from the factory for a period of one year after the date of purchase by the original purchaser. The manufacturer agrees to correct such defects without charge or at its option replace the ceiling fan with a comparable or superior model.

To obtain warranty service, present a copy of the receipt as proof of purchase. All costs of removing and reinstalling the product are your responsibility. Any damage to any part such as by accident or misuse or improper installation or by affixing any accessories, is not covered by this warranty. The manufacturer assumes no responsibility whatsoever for fan installation during the limited lifetime warranty. Any service performed by an unauthorized person will render the warranty invalid.

Due to varying climate conditions, this warranty does not cover any changes in brass finish, including rusting, pitting, corroding, tarnishing or peeling. Brass finishes of this type give their longest useful life when protected from varying weather conditions. Any glass provided with this fan is not covered by the warranty.

Any replacement of defective parts from the ceiling fan must be reported within the first year from the date of purchase. For the balance of the warranty, call our customer service department for return authorization and shipping instructions so that we may repair or replace the ceiling fan. Any fan or parts returned improperly is the sole responsibility of the purchaser. There is no other expressed warranty. The manufacturer disclaims any and all warranties. The duration of any implied warranty which cannot be disclaimed is limited to the time period as specified in the expressed warranty. The manufacturer shall not be liable for incidental, consequential, or special damages arising out of or in connection with product use or performance except as may otherwise be accorded by law. This warranty gives specific legal rights, and you may also have other rights which vary from state to state.

This warranty supersedes all prior warranties.

Note: A small amount of “wobble” is normal and should not be considered a defect.