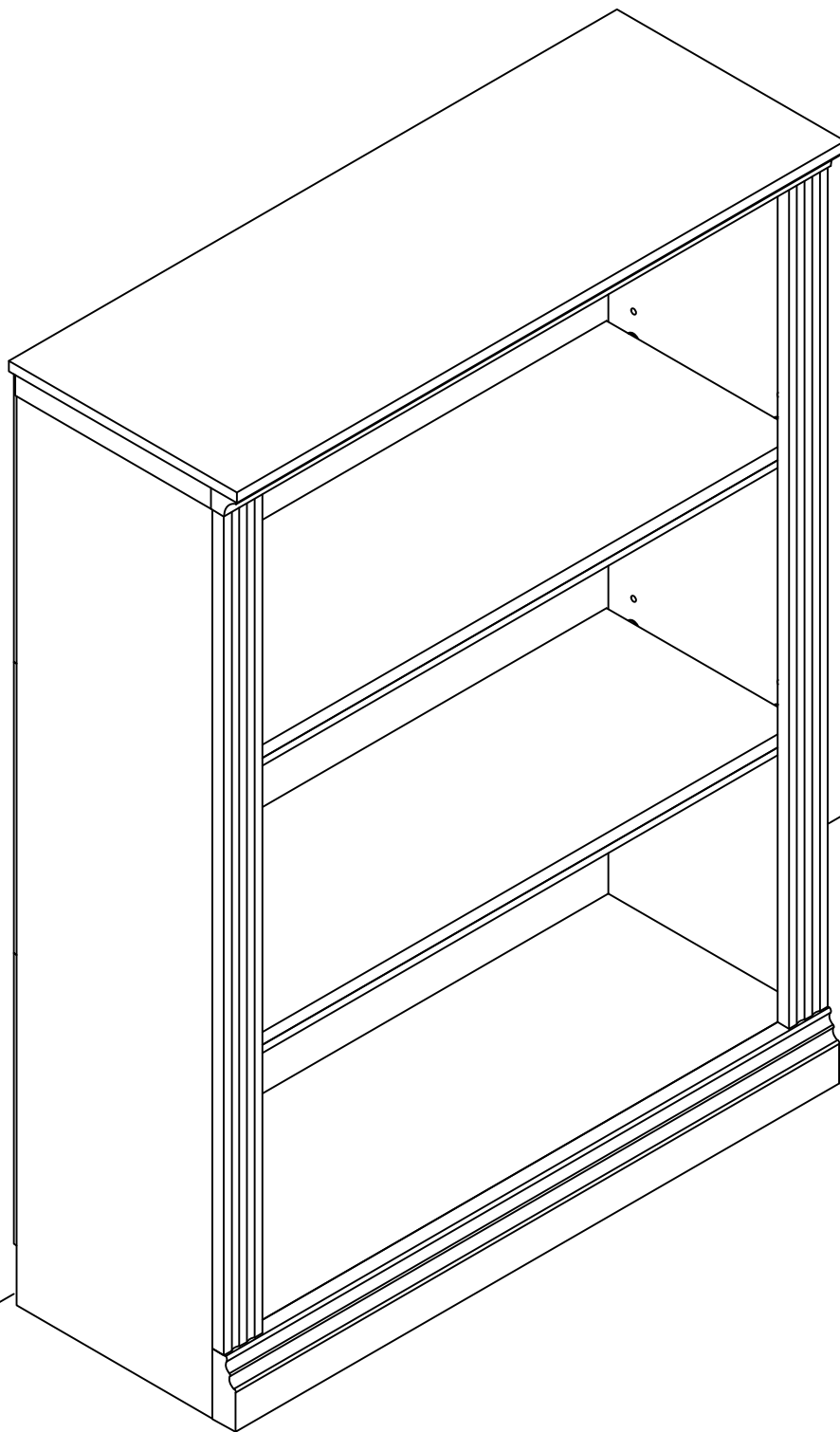
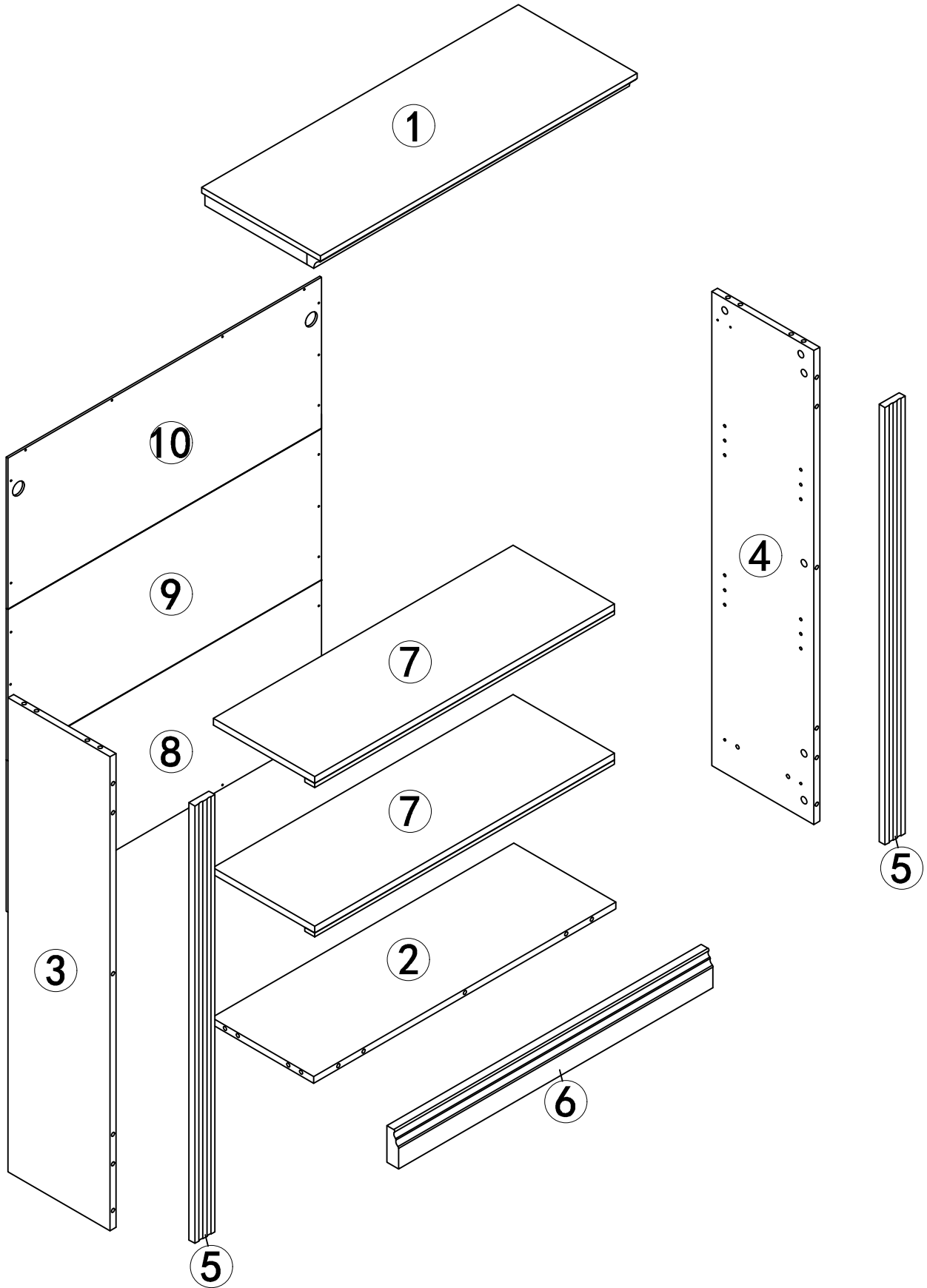


Assembly Instructions




PART LIST



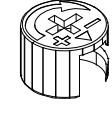
HARDWARE LIST

A




$\text{\O}6 \times 35 \text{mm}$ (19+1)PCS

B



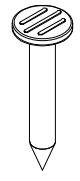
$\text{\O}15 \times 9.5 \text{mm}$ (19+1)PCS

C



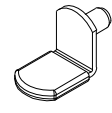
$\text{\O}8 \times 30 \text{mm}$ (14+1)PCS

D




$\text{\O}1.5 \times 20 \text{mm}$ (26+3)PCS

E



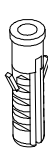
8PCS

F



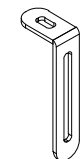
$\text{\O}4 \times 38 \text{mm}$ 2PCS

G



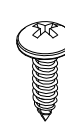
2PCS

H

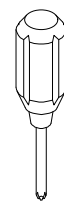


2PCS

I

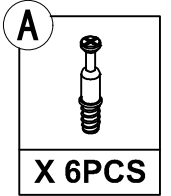
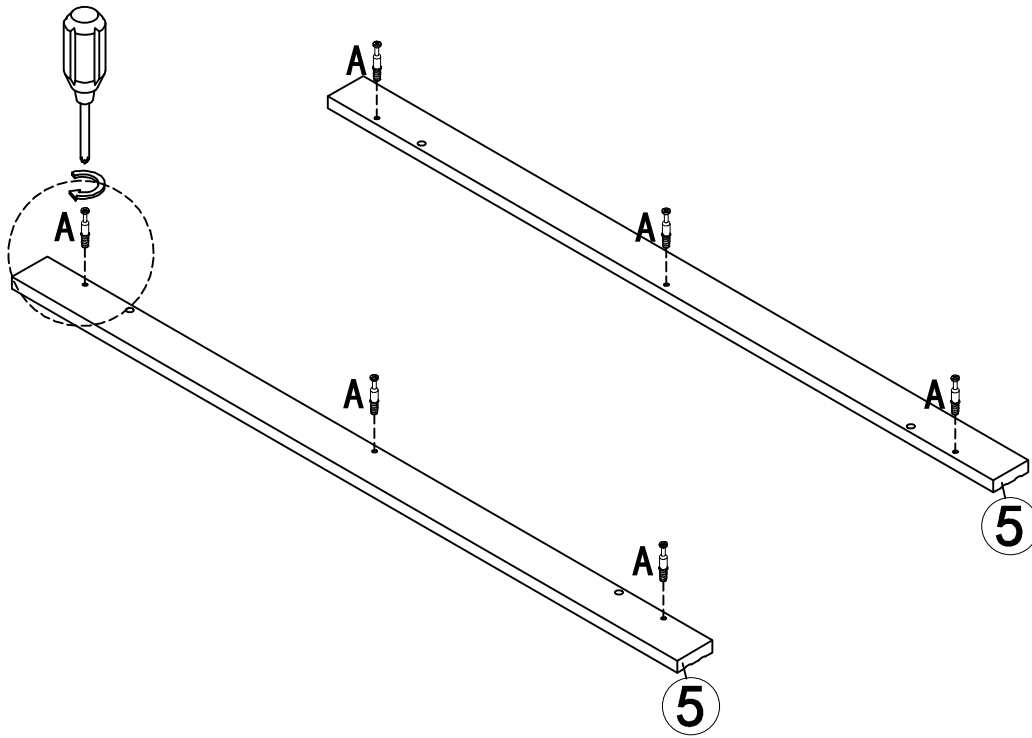


$\text{\O}3.5 \times 14 \text{mm}$ 4PCS

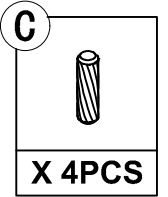
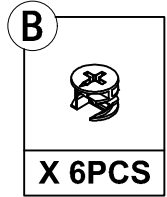
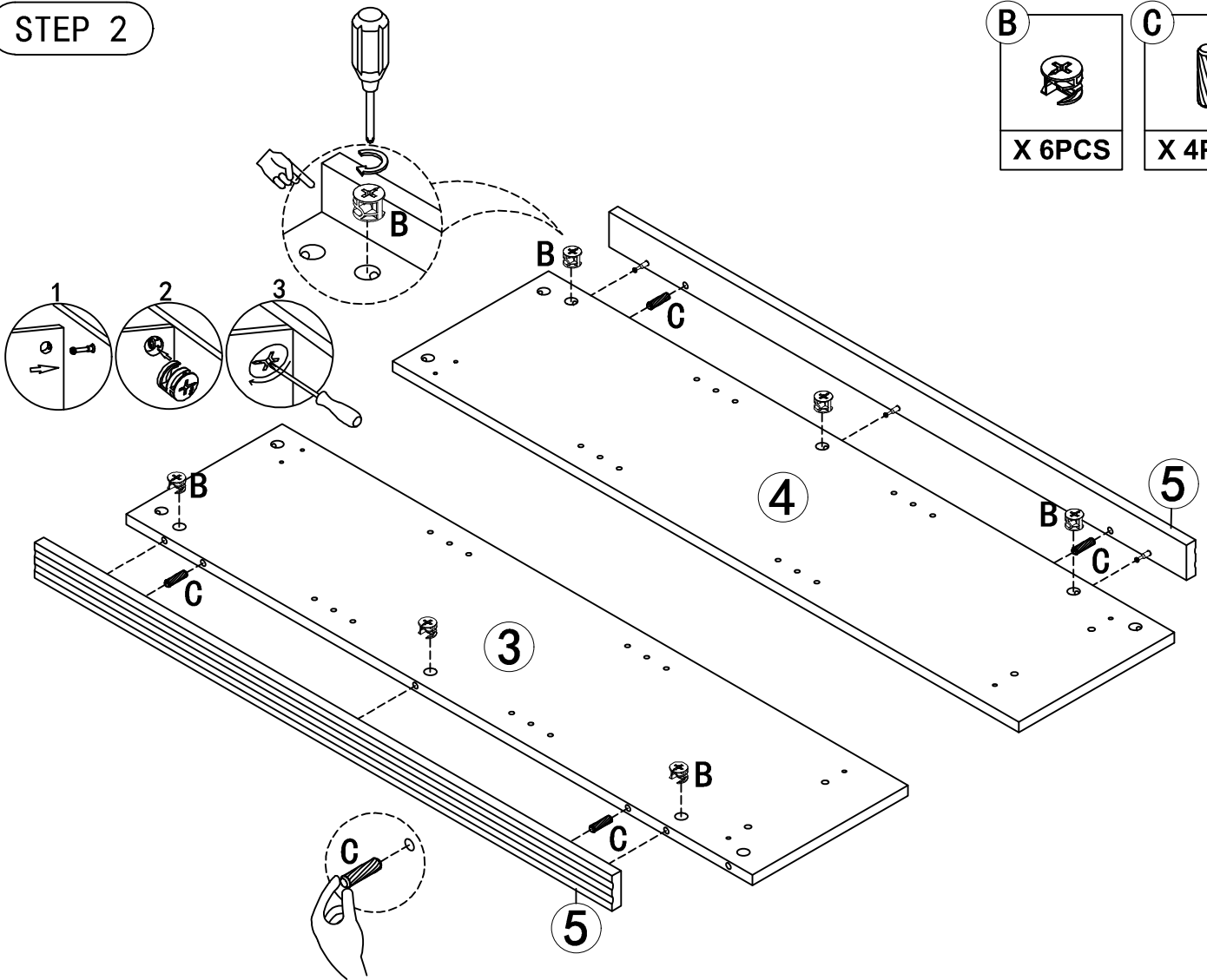


1PC

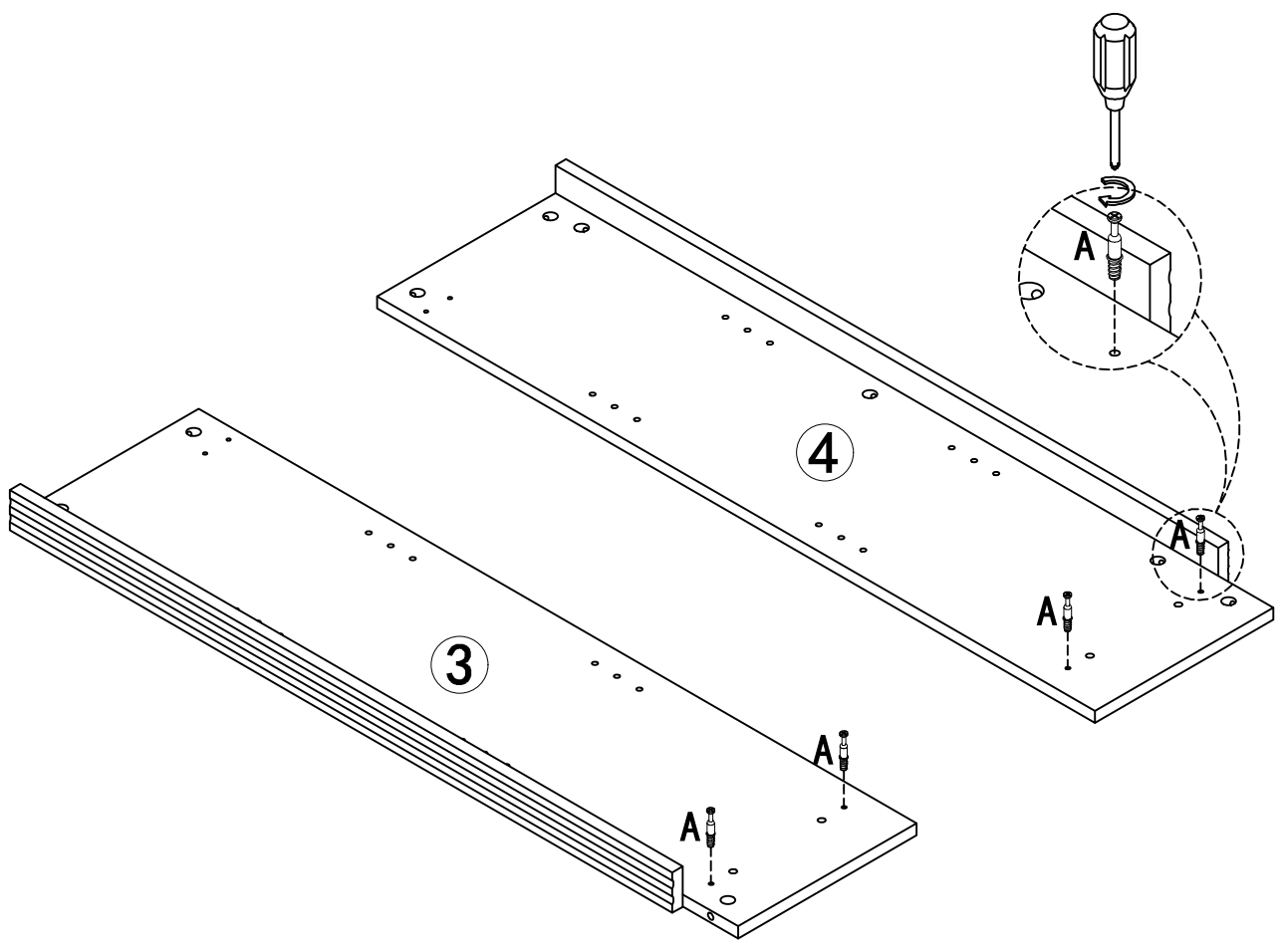
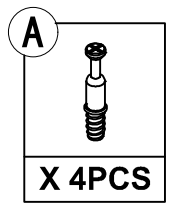
STEP 1



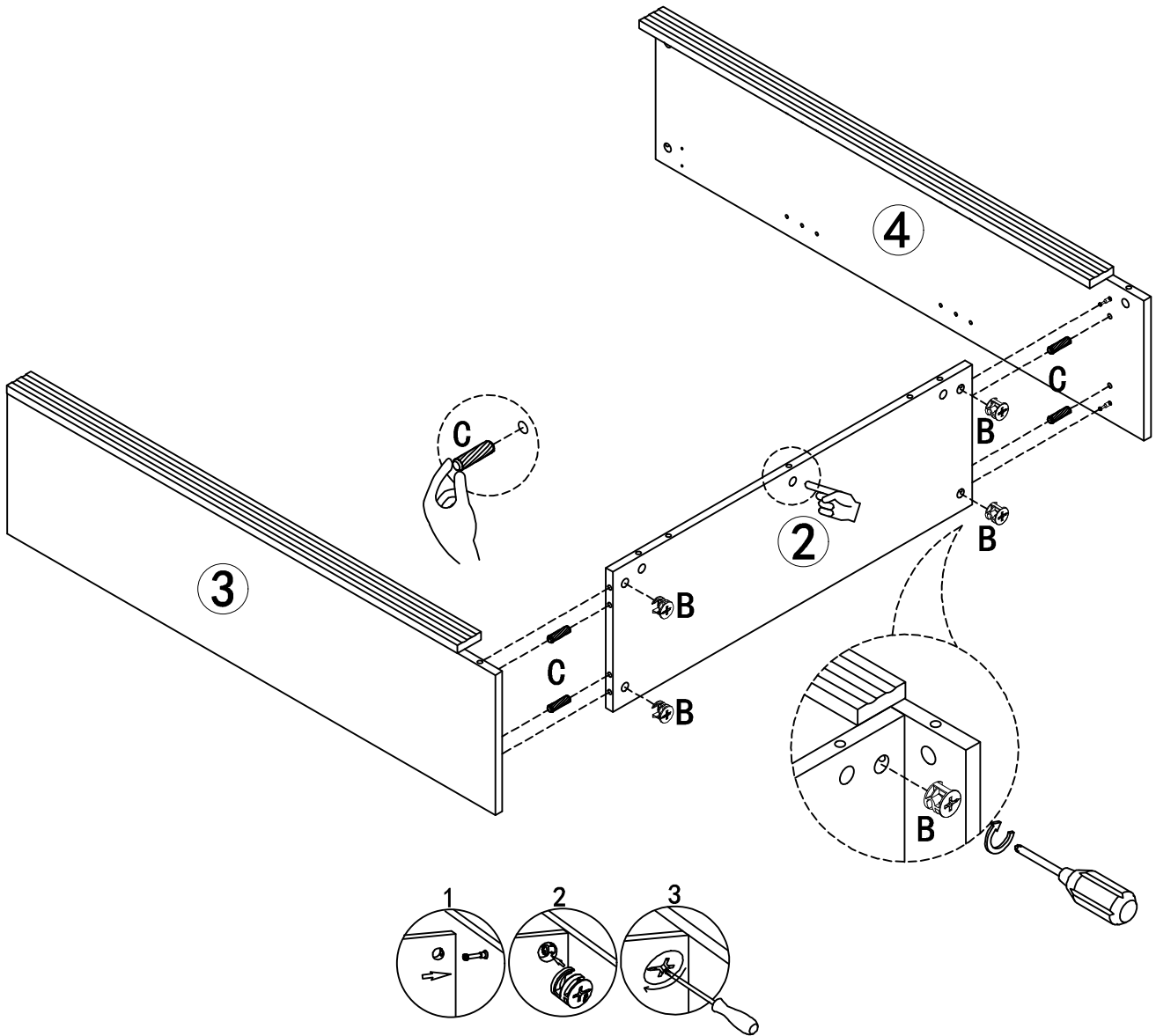
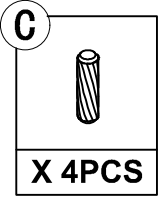
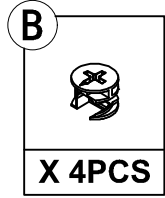
STEP 2



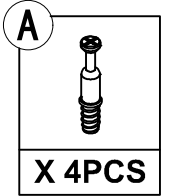
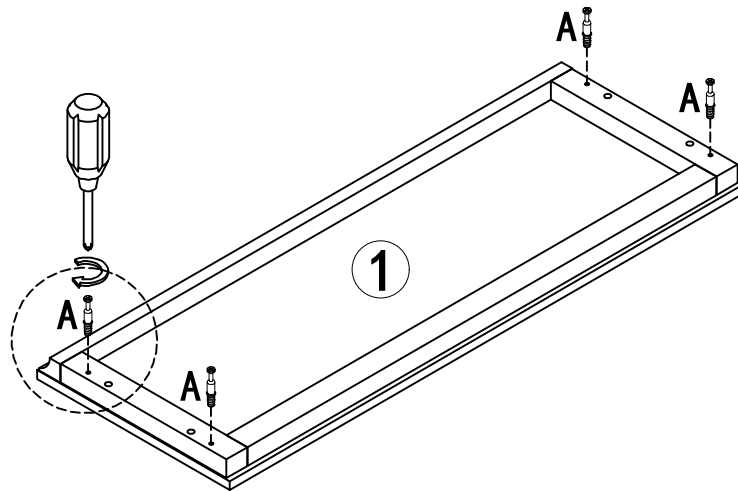
STEP 3



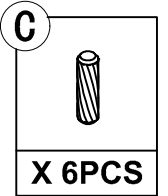
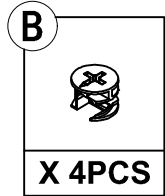
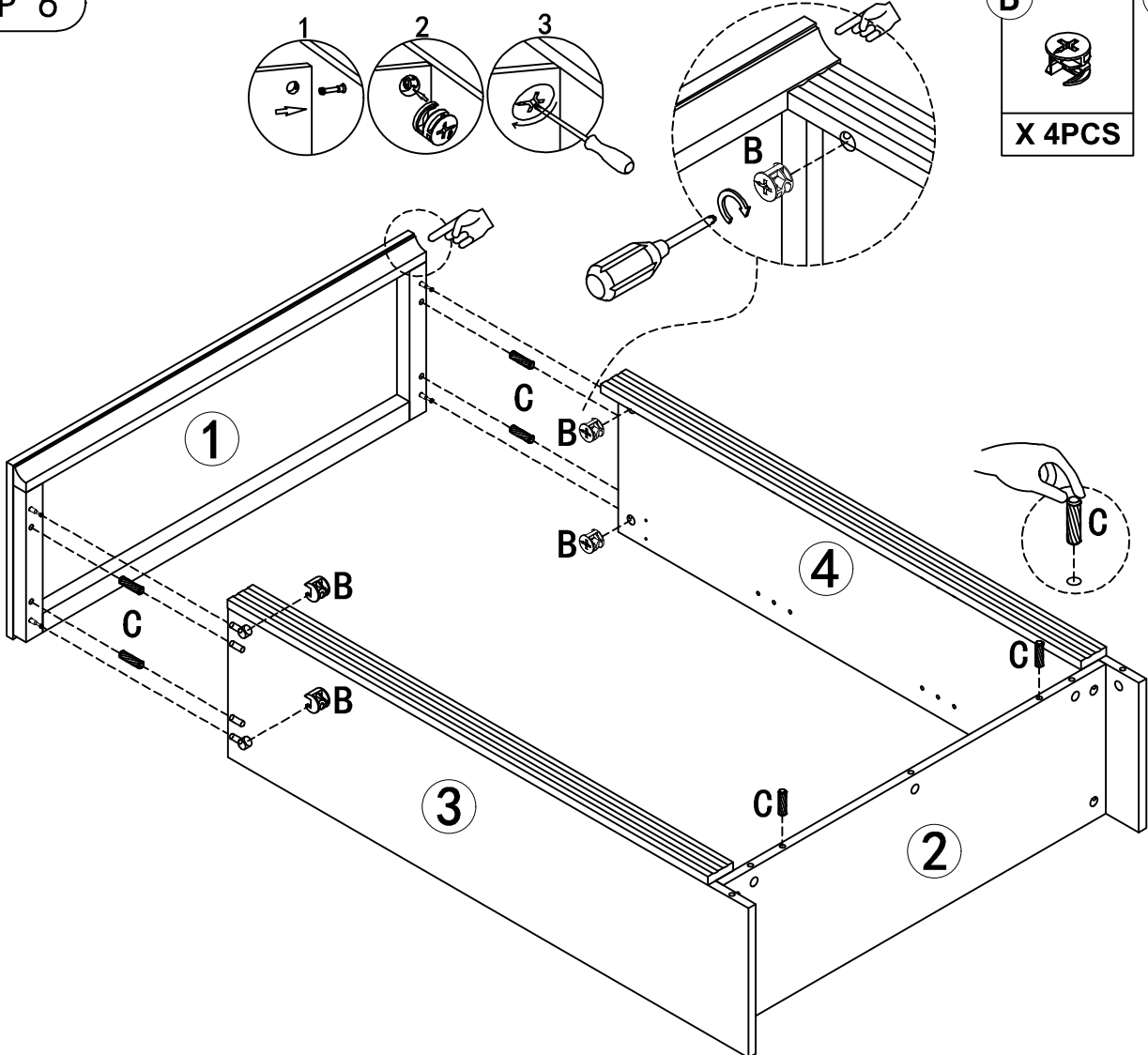
STEP 4



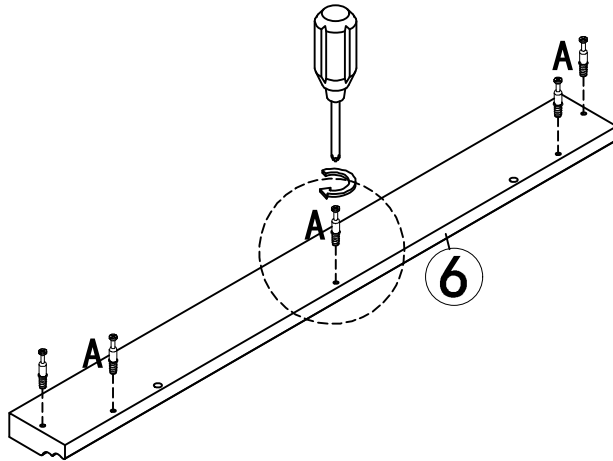
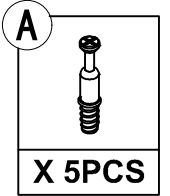
STEP 5



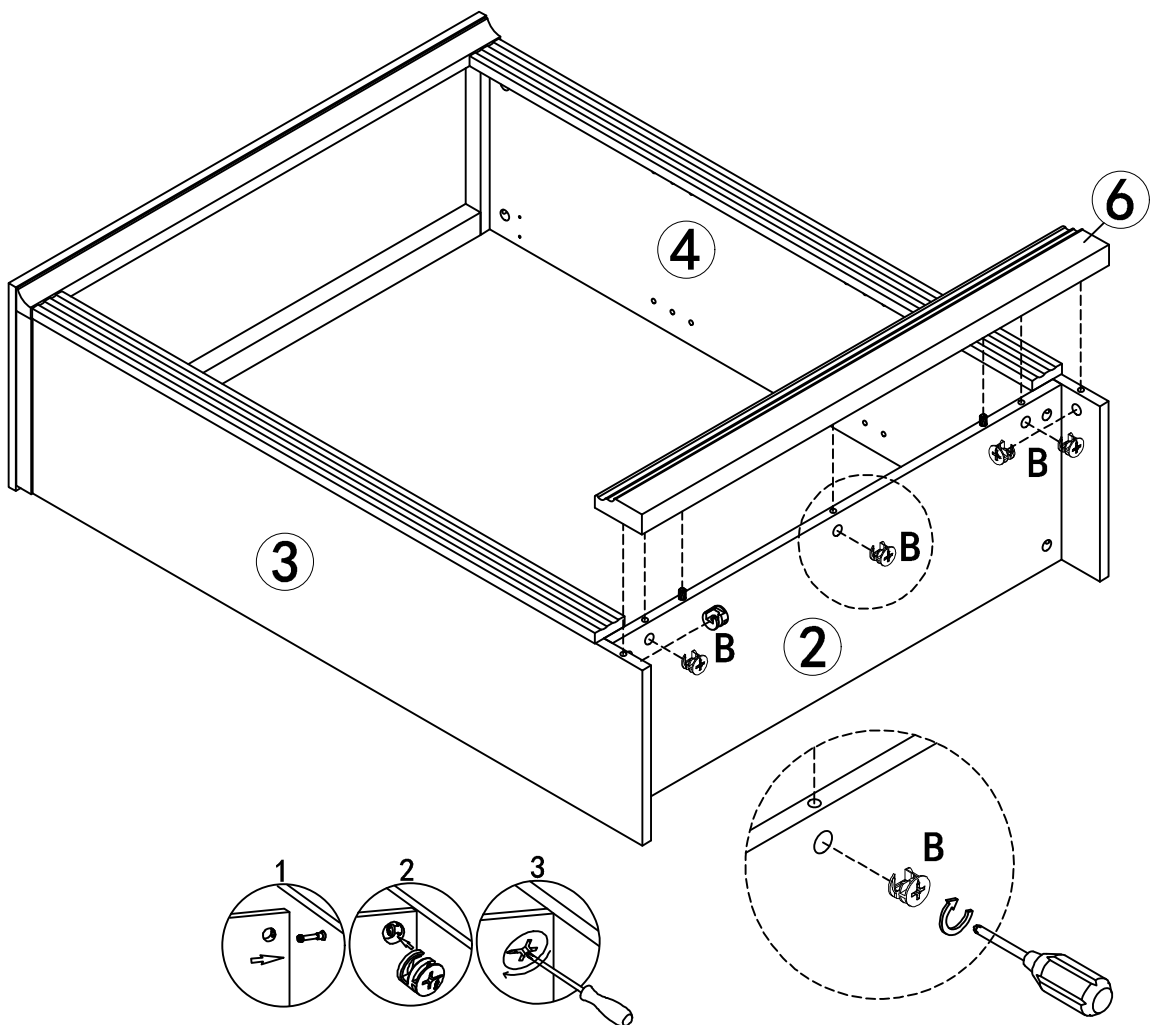
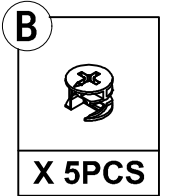
STEP 6



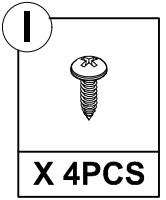
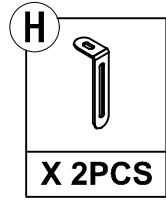
STEP 7



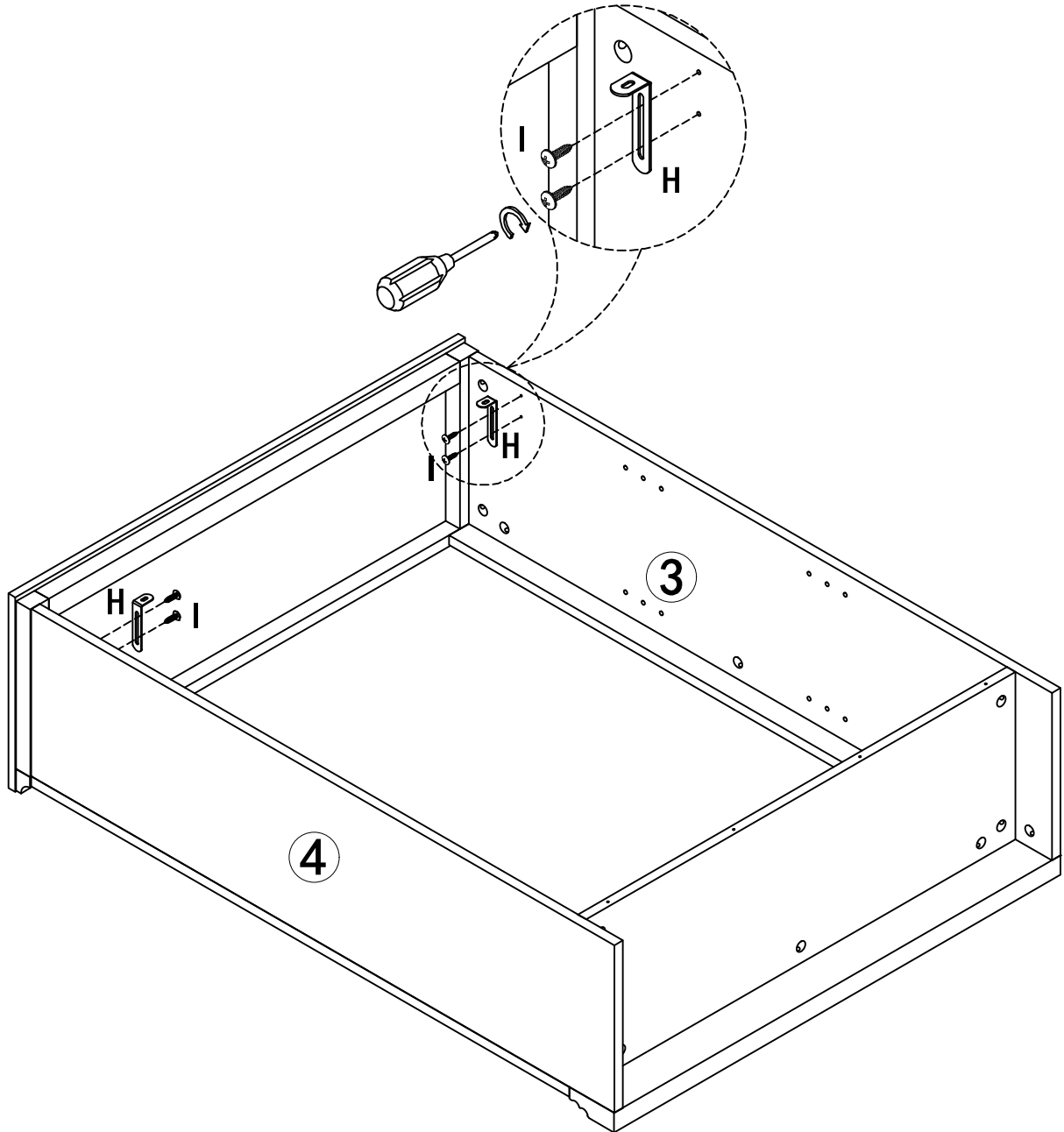
STEP 8



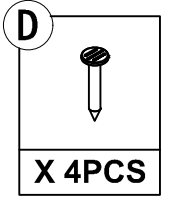
STEP 9



NOTE: The bookshelf is not stable enough at this time, please be careful when flipping it over.

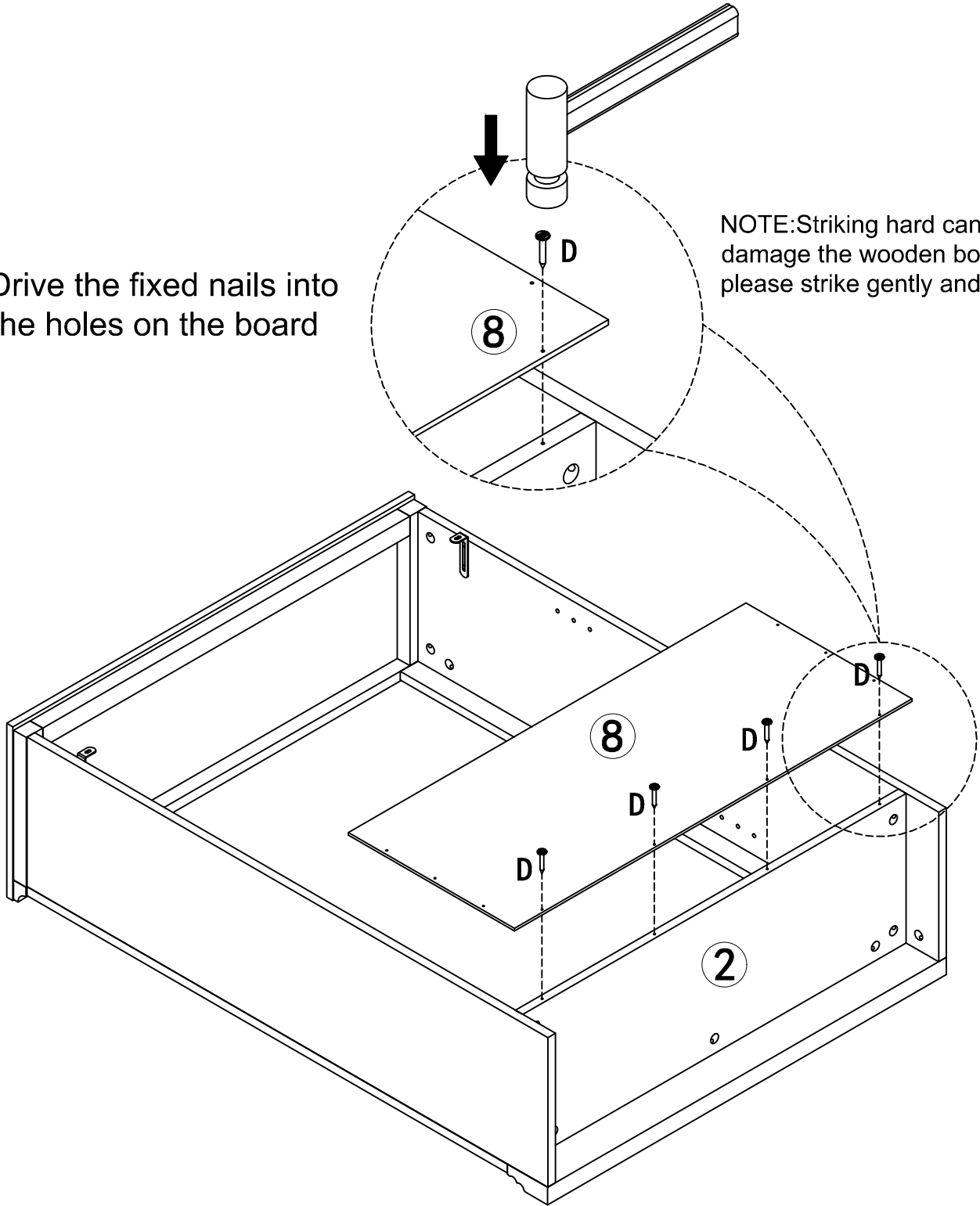


STEP 10

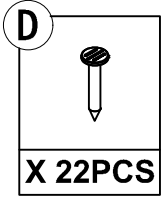
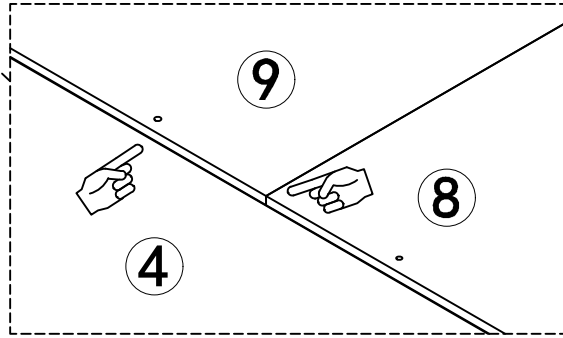
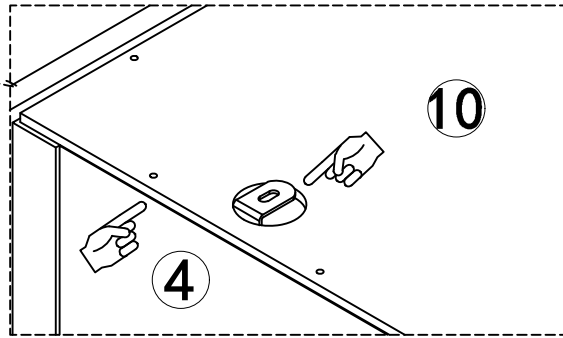
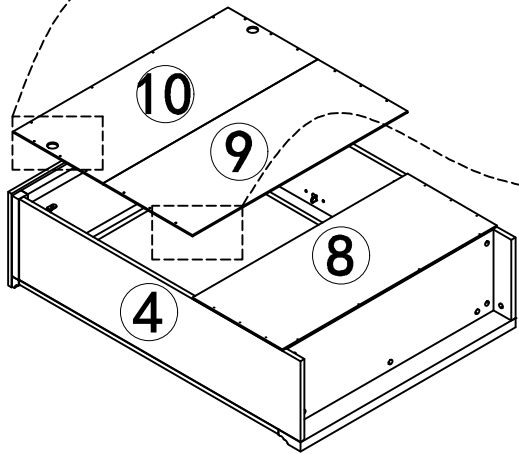


Drive the fixed nails into the holes on the board

NOTE: Striking hard can easily damage the wooden board, please strike gently and slowly.

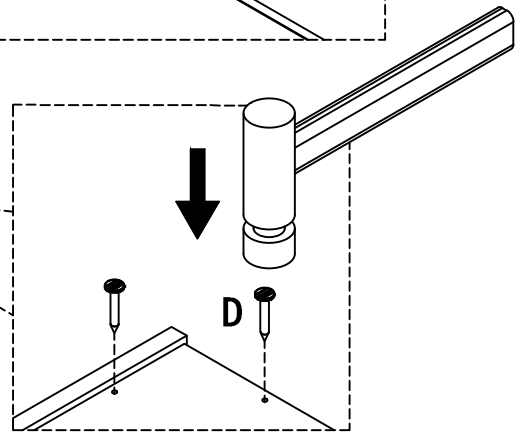


STEP 11

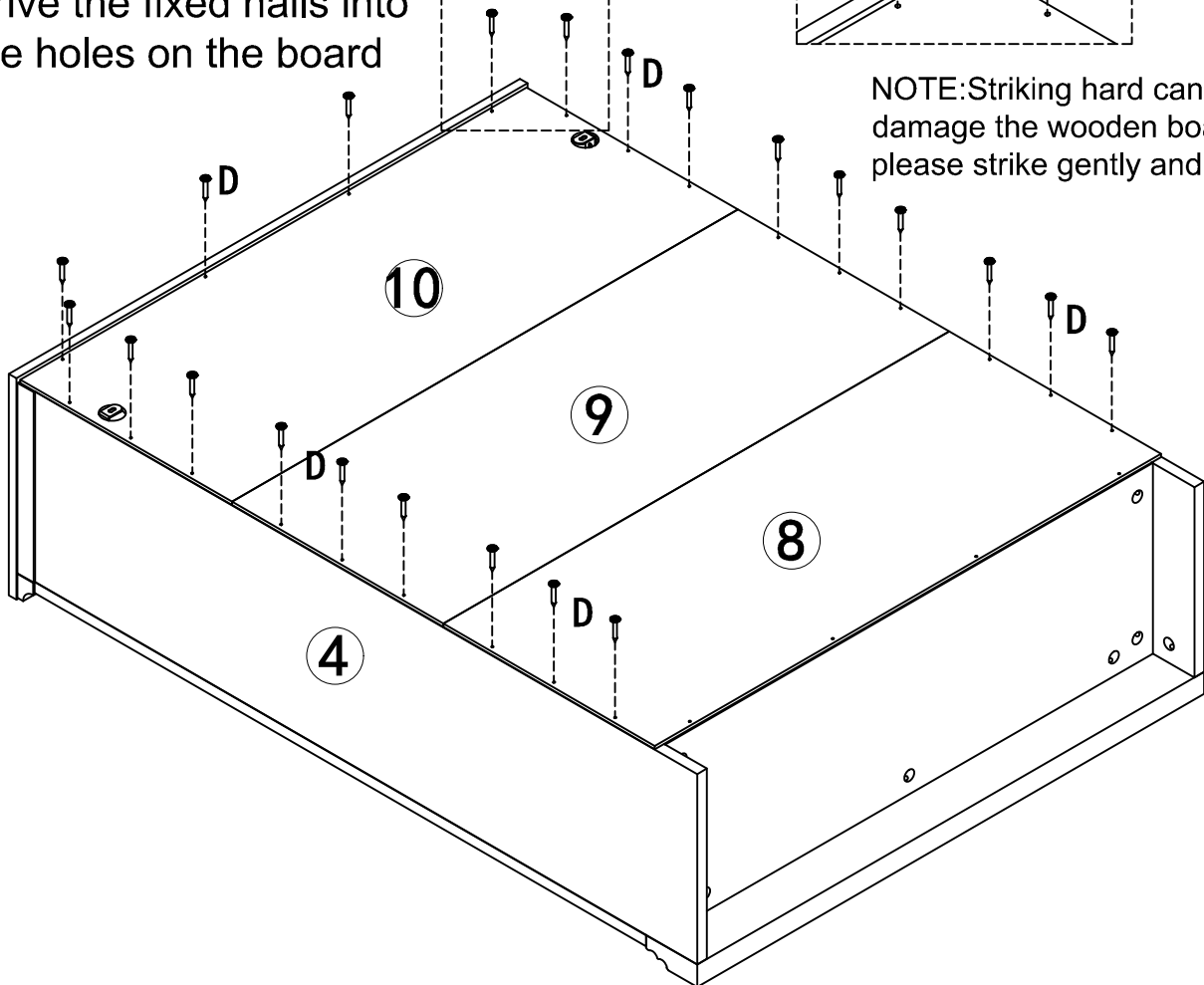


Arrange the boards neatly

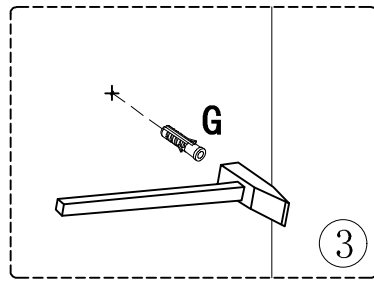
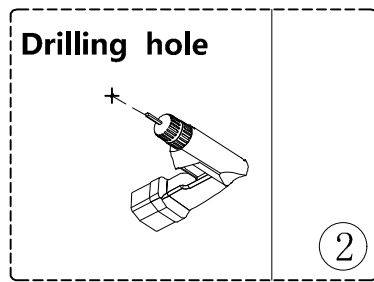
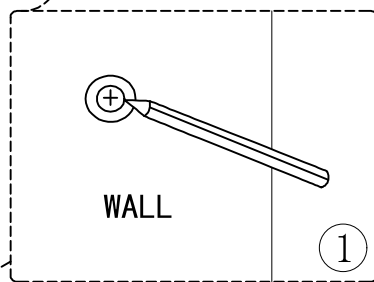
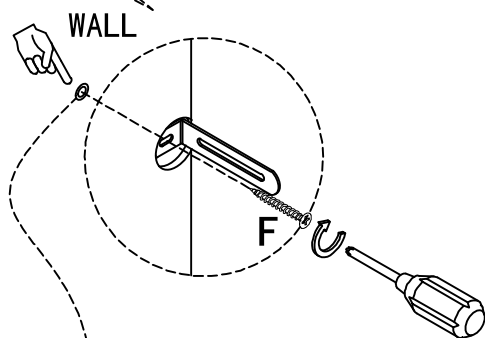
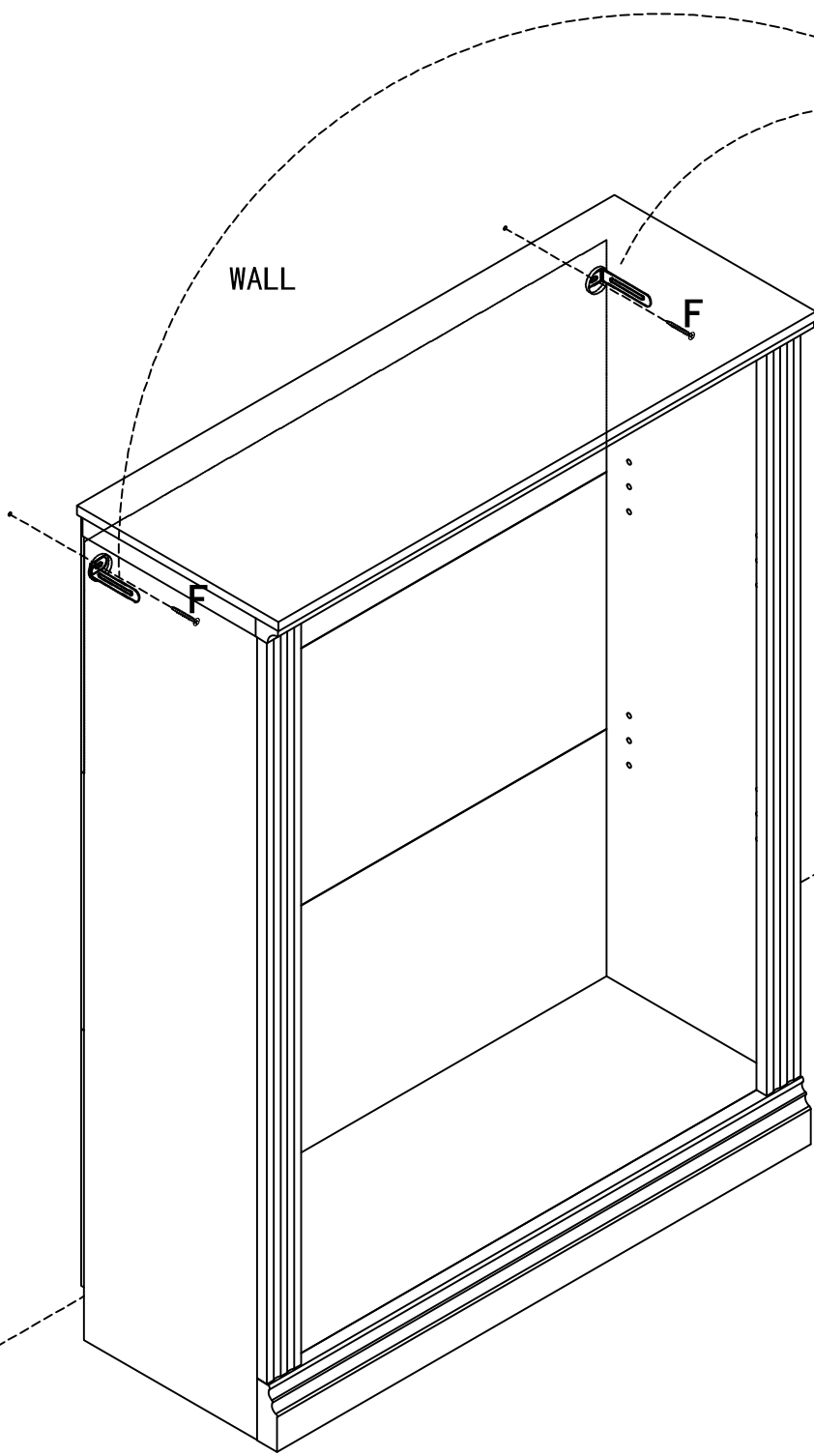
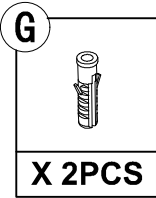
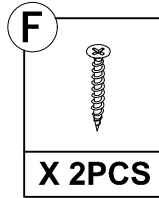
Drive the fixed nails into the holes on the board



NOTE: Striking hard can easily damage the wooden board, please strike gently and slowly.




STEP 12

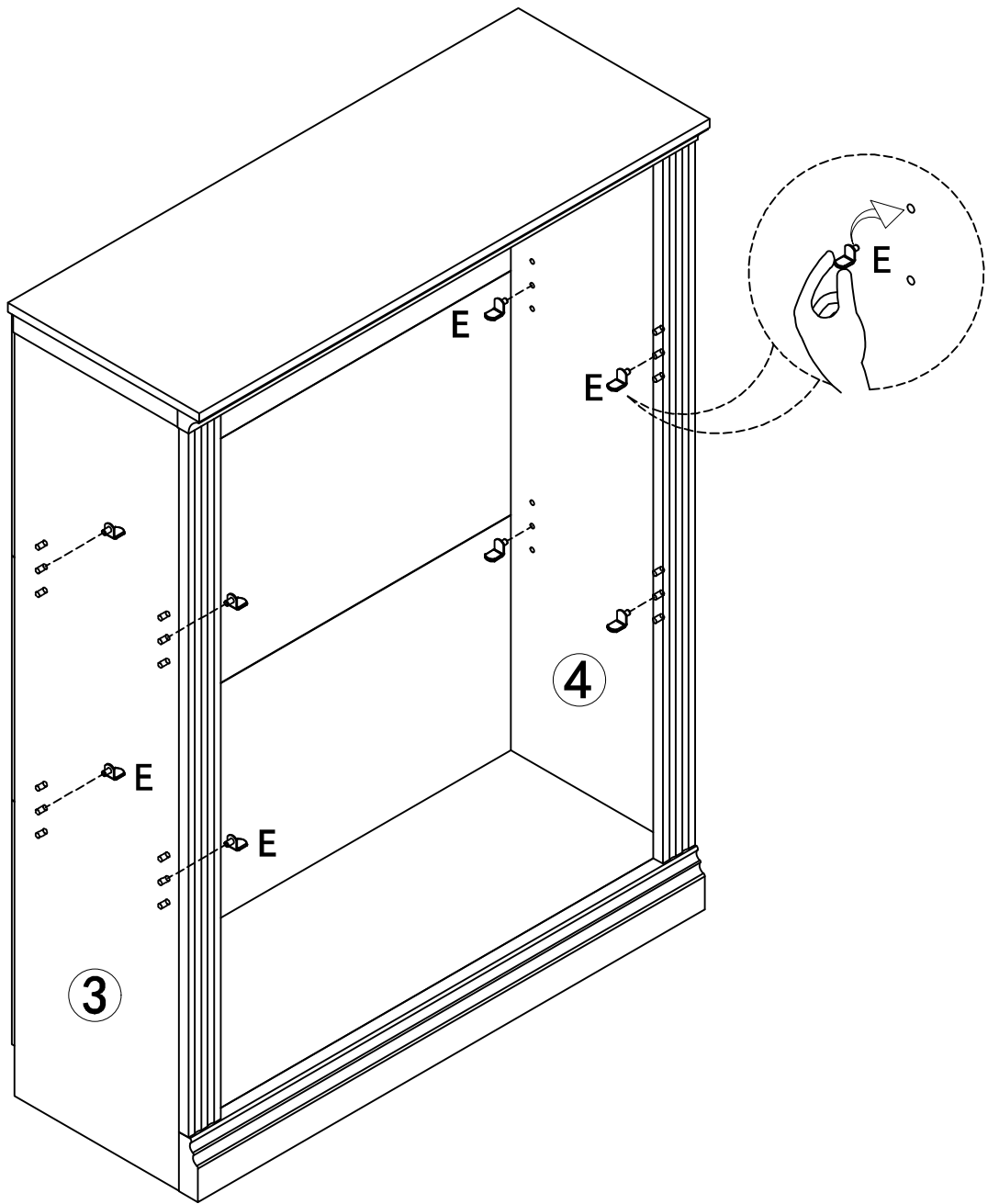


STEP 13

E



X 8PCS



STEP 14

