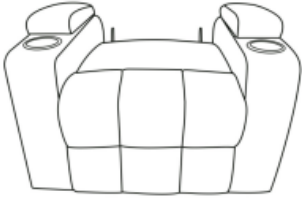







Assembly Instructions

Your recliner comes packaged in **One** box. Carefully remove all components from the packaging and set aside for assembly.

CAUTION:
DO NOT use any sharp objects to open plastic wrapped components as damage to product or components may result.

Package Contents

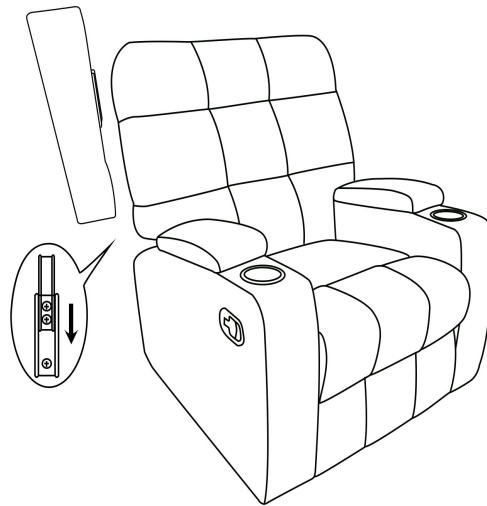
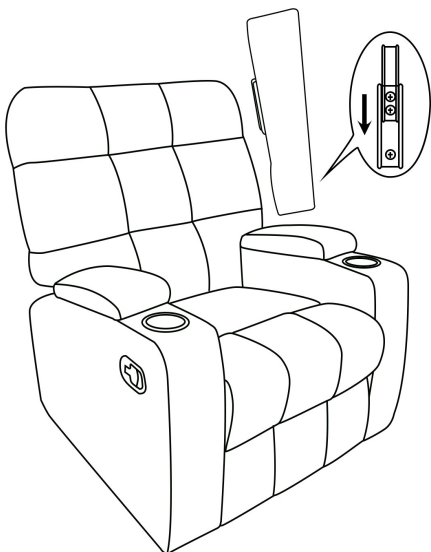
			
A 1*Chair Seat	B 1*Chair Back	C Left Ear	D Right Ear
			
E Massage Remote	F Power Cord		

Note

The 2 Ears are on the bottom of the seat, Please find them out !

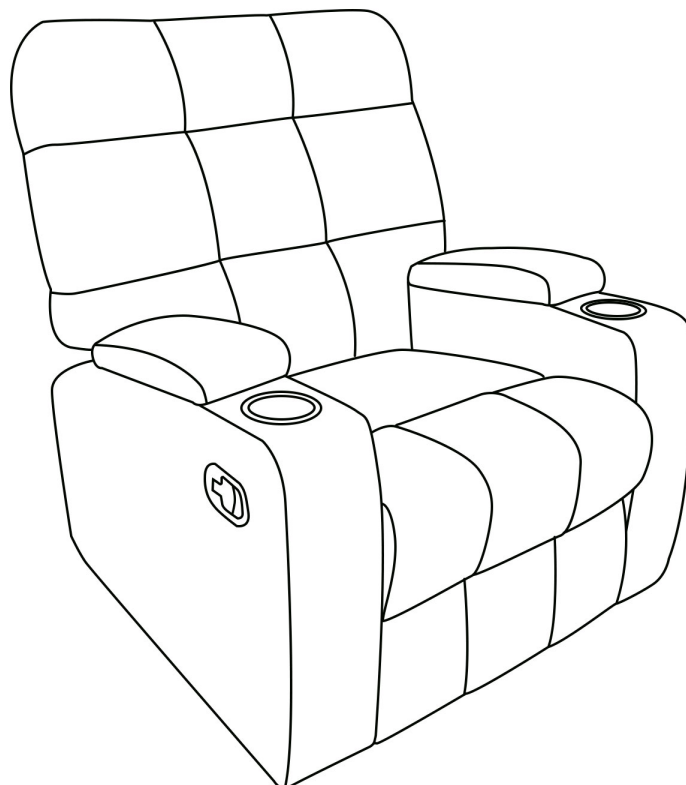
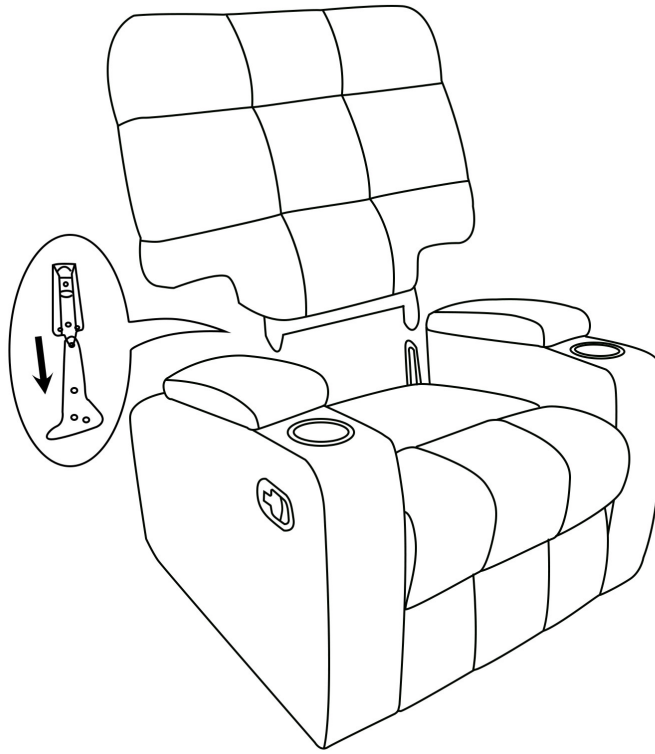
Step 1

Connect each **Ear(C&D)** to the **Chair Backrest(B)** by aligning the metal grooves and sliding down to the bottom..



Step 2

Connect the **Chair Back(B)** to the **Chair Seat(A)** by aligning the metal grooves and sliding down to the bottom.



Warnings

1. Please check if the components of the chair are all included and can be used normally as the 5th tip.
2. Assemble all components according to the instruction correctly before you connect the chair with the power.
3. Please DO NOT sit on the armrests and footrest to eliminate the risk of tipping over.
4. If the sofa is damaged or doesn't match the website product, please send clear pictures of the product and label of the carton to our service team, and we'll help you to solve the problem.
5. If the recliner doesn't work, you can try the following measures for self-checking firstly:
 - ① Check if all the cable are connected;
 - ② Check if the light of transformer is on.If the chair still doesn't work, please feed the information back to the customer service in time. We will help solve the problem for you as soon as possible.
6. If you have any questions with the product, please contact us

