

## Features

- Designed to fit K-99006 and K-99007 Verdera® medicine cabinets (sold separately).
- Designed to complement the transitional style of Jacquard vanities.
- Catalyzed conversion varnish provides a durable moisture-resistant finish.
- Mounts directly to wall for easy installation.

## Material

- Solid wood and veneers.

## Recommended Products/Accessories

K-99007-TL Lighted Medicine Cabinet  
K-99006 Medicine Cabinet  
K-99007-SCF Medicine Cabinet  
K-23736 Furniture polish



## Codes/Standards

None Applicable

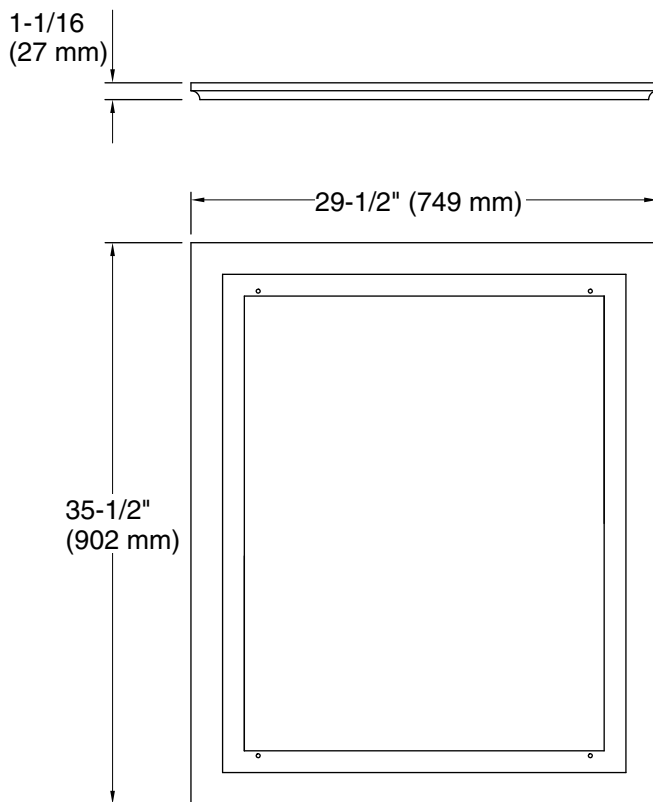
## KOHLER® One-Year Limited Warranty

See website for detailed warranty information.

## Available Colors/Finishes

*Color tiles intended for reference only.*

Color	Code	Description
	1WA	Linen White
	1WB	Claret Suede
	1WH	Woolen Oak
	1WC	Felt Grey



### Technical Information

All product dimensions are nominal.

### Notes

Install this product according to the installation guide.