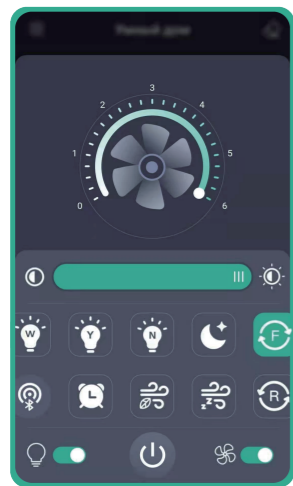


## APP CONTROL INSTRUCTIONS

NOTE: Scan the QR code and install the APP in your phone, or search and install "FanLamp Pro" from Google Play, Apple App and other APP stores.

Make sure your phone is connected to the internet and bluetooth enabled.

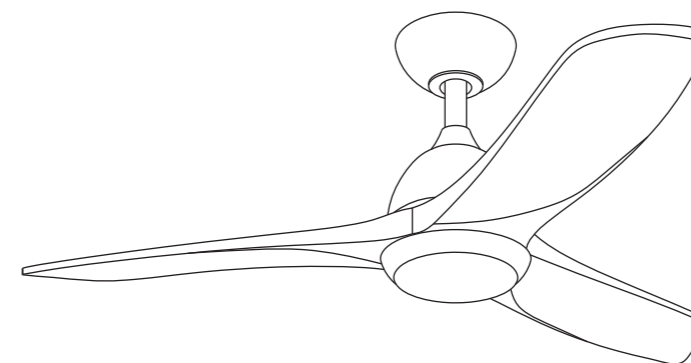


- Pair button. Click it within 5 seconds after the fan is powered on from wall switch. After the fan flashes or beeps, it has been successfully paired with the phone, it can be controlled through it.
- Slide to change the fan speed.
- Slide to change the brightness of the light.
- Quick switch for "White" light color.
- Quick switch for "Yellow" light color.
- Quick switch for "Natural" light color.
- Night mode: Dim the lights.
- Fan moves forward.
- Fan moves reversely.
- Change the direction of the wind. (Not supported)
- Timing the fan.
- Natural wind: The fan speed will change automatically when you use this function.
- Sleeping wind. (Not supported)
- Turn on/off the light.
- Turn on/off the fan.
- Unpairing: Click the unpair button within 5 seconds after turning on the fan. Once the fan flashes or beeps, it has been successfully unpaired from your phone.

# INSTALLATION MANUAL

## CEILING FAN WITH LIGHTS

Model No.: YFFS001-52W



### TOOLS REQUIRED



Ladder



Pliers



Wire Strippers



Screwdrivers

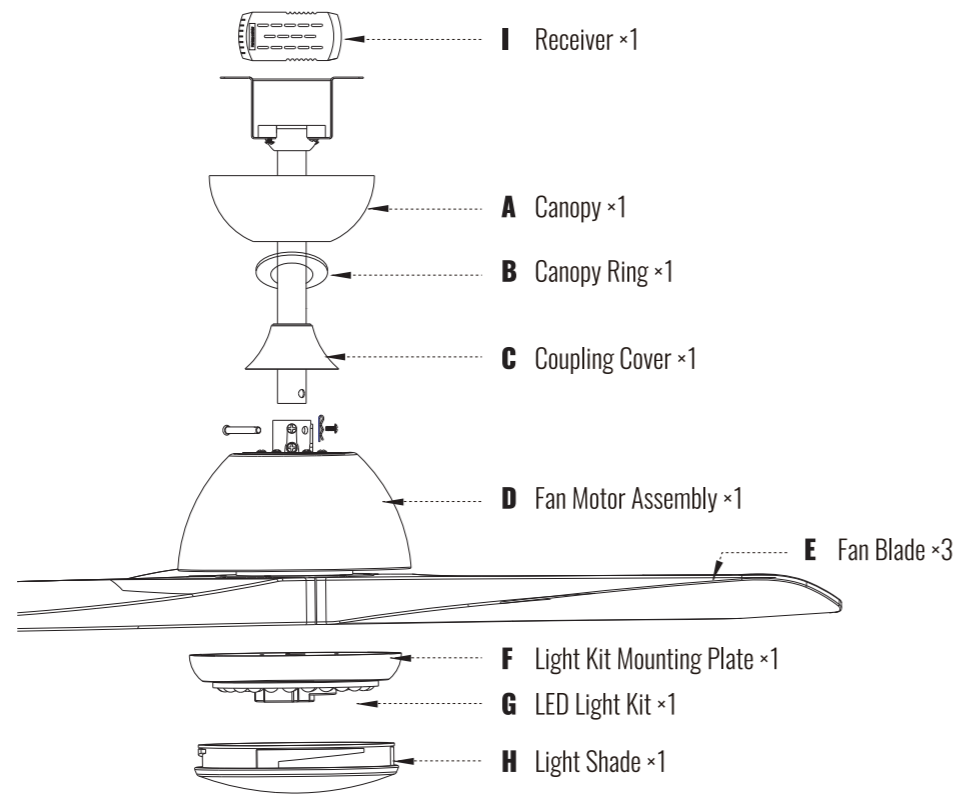


Scan for Installation Video



APP Control Applicable

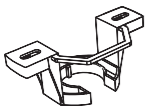










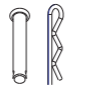

## PACKING LIST



**NOTE:**

1. LED Light Kit (G) is pre-installed on Light Kit Mounting Plate (F).

## INSTALLATION KIT

<b>AA</b>  Mounting Bracket 1×	<b>BB</b>  Outlet Box Screw 2×	<b>CC</b>  Wood Screw 4×	<b>DD</b>  Plastic Anchor 4×	<b>EE</b>  Fan Blade Screw with Washer 6×
<b>FF</b>  Flat Washer 4×	<b>GG</b>  Wire Nut 3×	<b>HH</b>  Short Downrod Assembly 1×	<b>II</b>  Long Downrod Assembly 1×	<b>JJ</b>  Remote Control and Holder 1×
<b>KK</b>  Plastic Clip and Balancing Weight Washer 1×	<b>LL</b>  Clevis Pin & "R" Pin 1×	<b>MM</b>  Glove 1×		

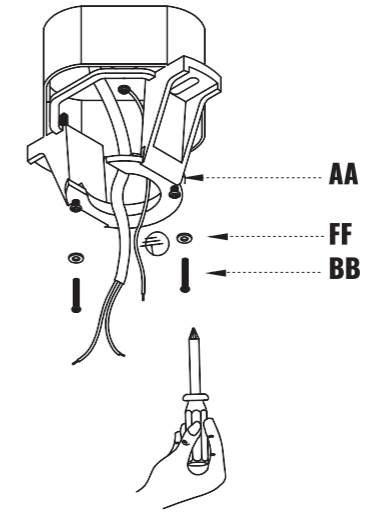
**NOTE:**

1. Some extra hardware may be included. The quantity listed above is the number required for installation.

2. Clevis Pin & "R" Pin (LL) is pre-installed on short downrod assembly (HH). They need to be disassembled before installation.

## INSTALLATION

### 1. Installing the Mounting Bracket



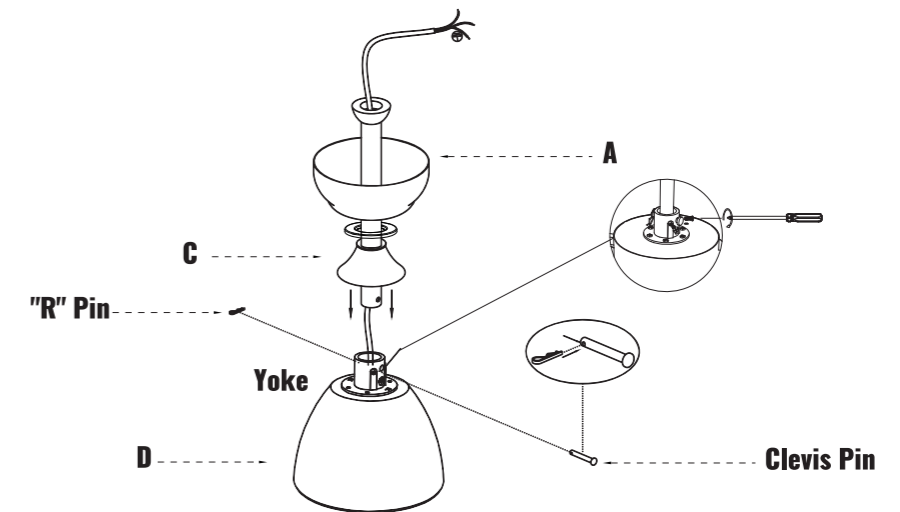
**STEP 1:** Take off the screws from outlet box.

**STEP 2:** Secure the mounting bracket (AA) onto the outlet box with screws taken off or outlet box screw (BB) and flat washer (FF) provided.

**NOTE:**

1. Wood screw (CC) are not necessary if you use outlet box screw (BB).

### 2. Assembling the Fan



**STEP 1:** Assemble the canopy (A) and coupling cover (C), route wires from the fan through the downrod.

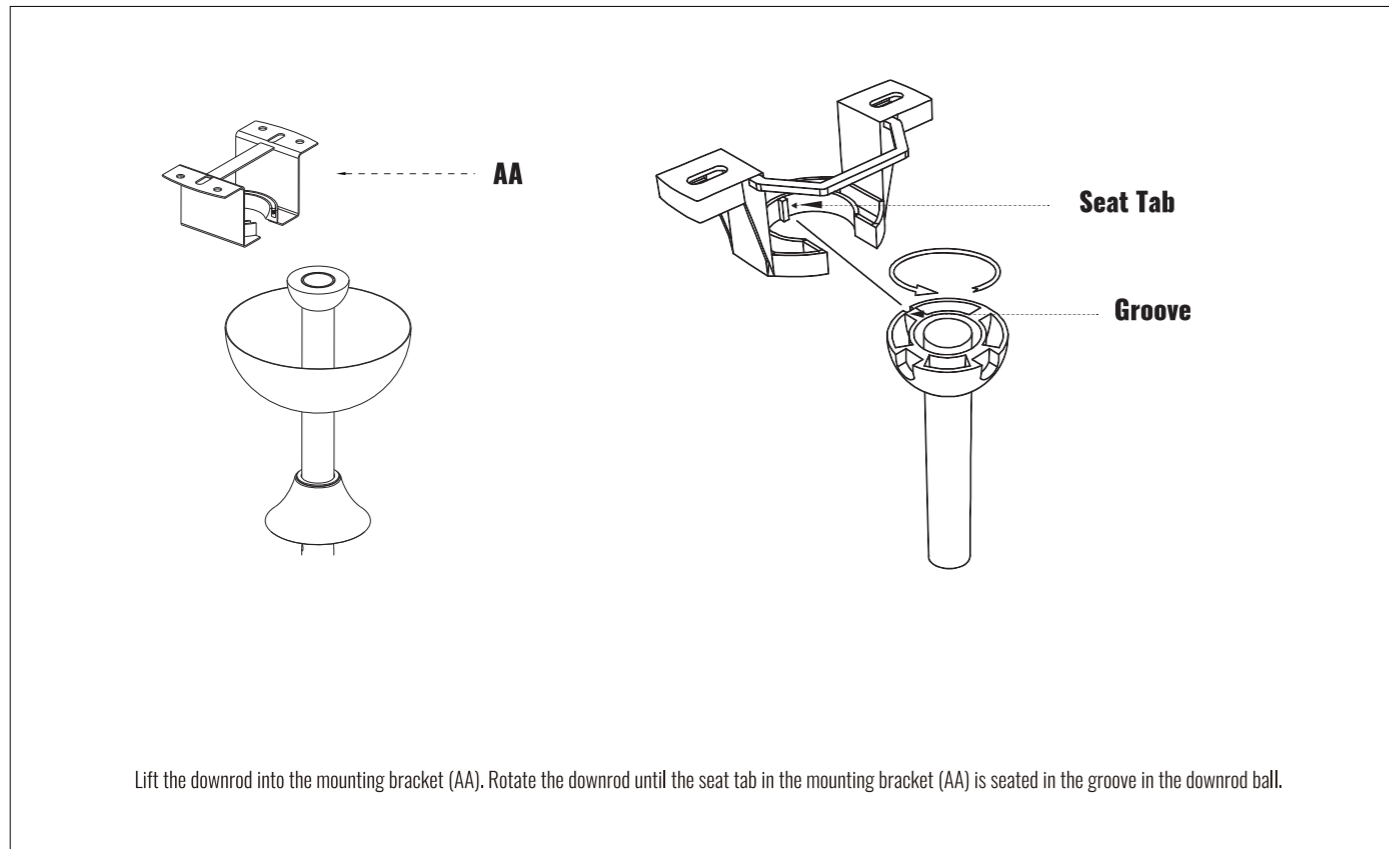
**STEP 2:** Loosen the set screw from the yoke but do not take off, align the holes at the bottom of the downrod with those in the yoke.

**STEP 3:** Carefully insert the clevis pin (LL) through the holes in the yoke and downrod (Be careful not to jam the clevis pin (LL) against the wires inside the downrod).

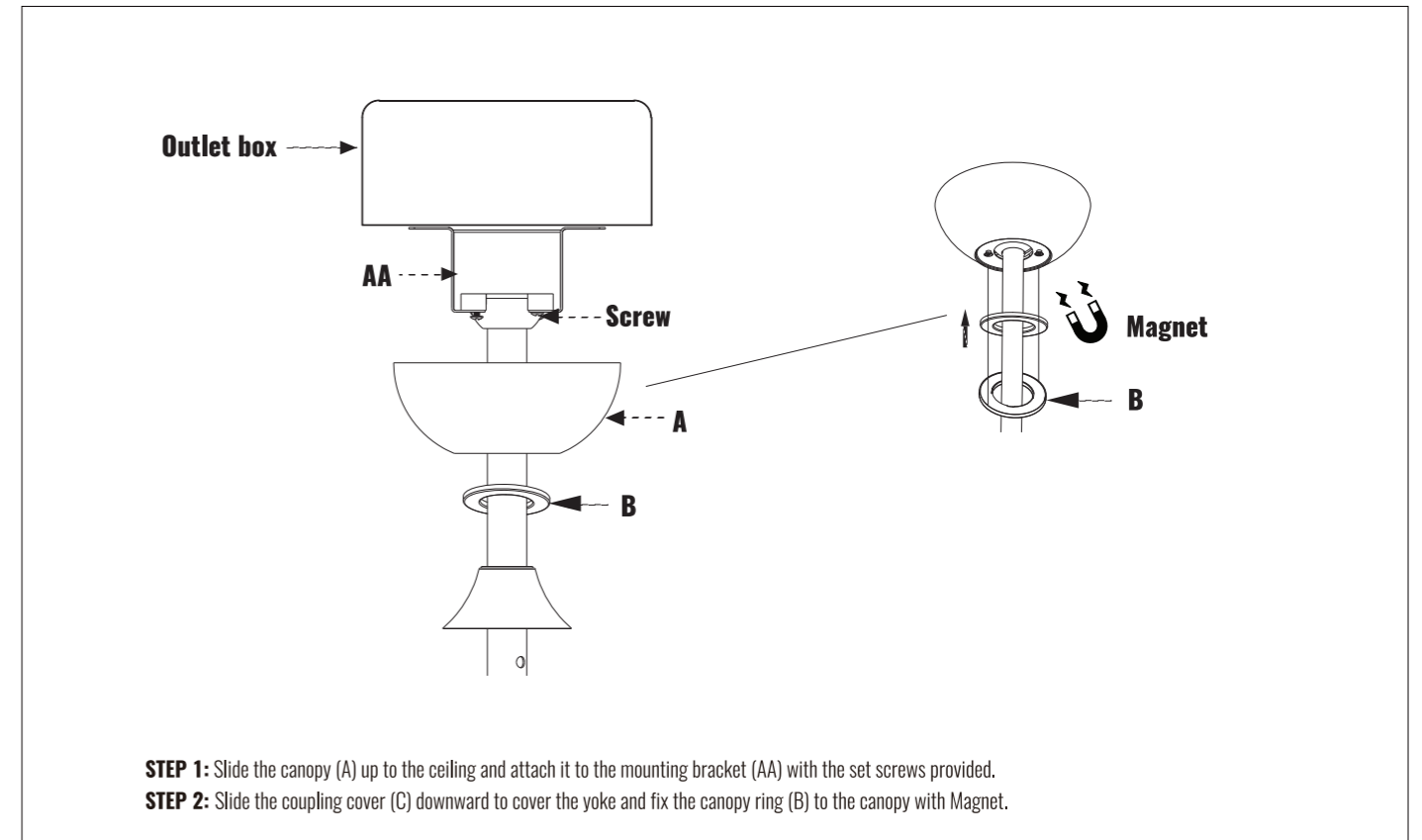
**STEP 4:** Insert the "R" pin (II) into the end of the clevis pin.

**STEP 5:** Tighten the set screw on the yoke to secure the downrod.

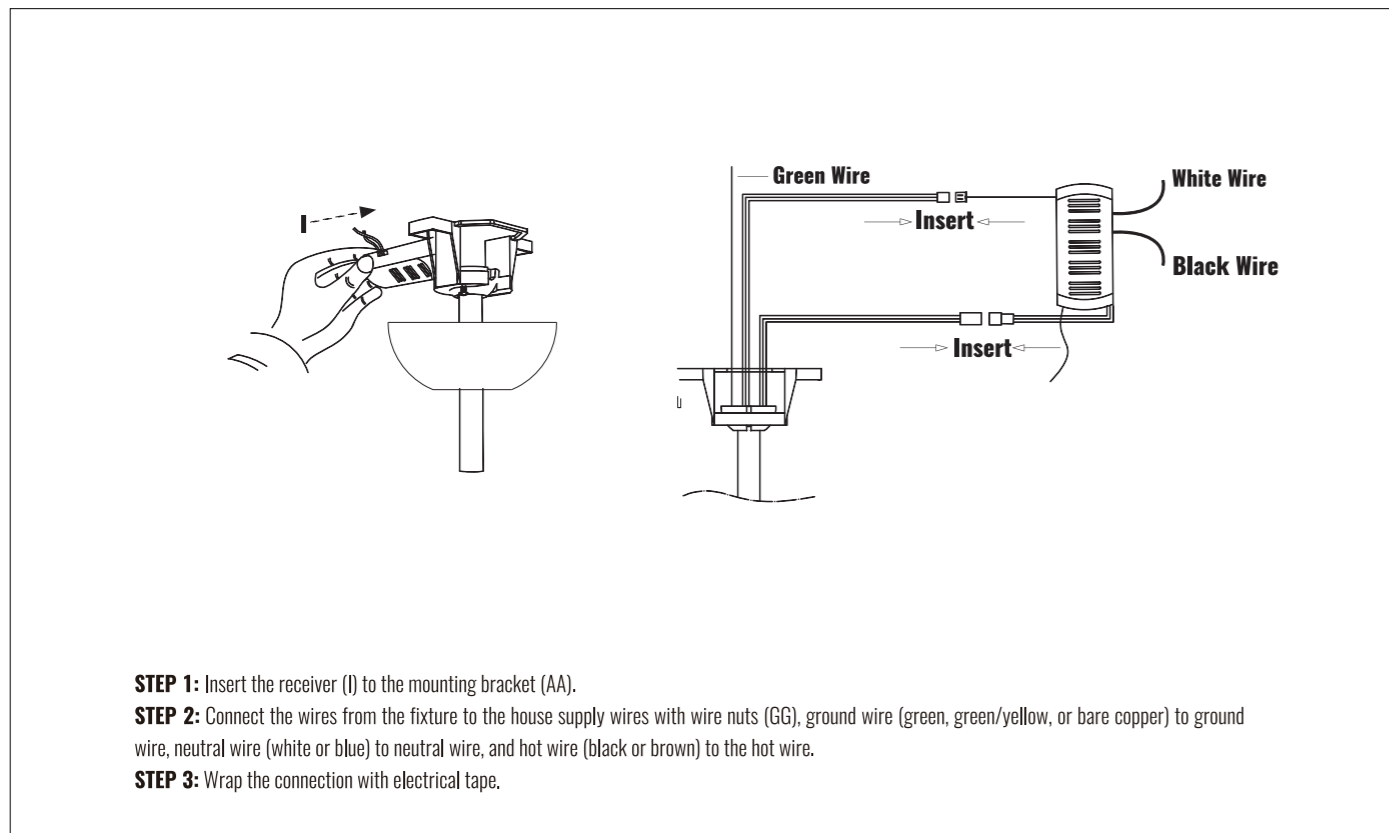
### 3. Hanging the Fan



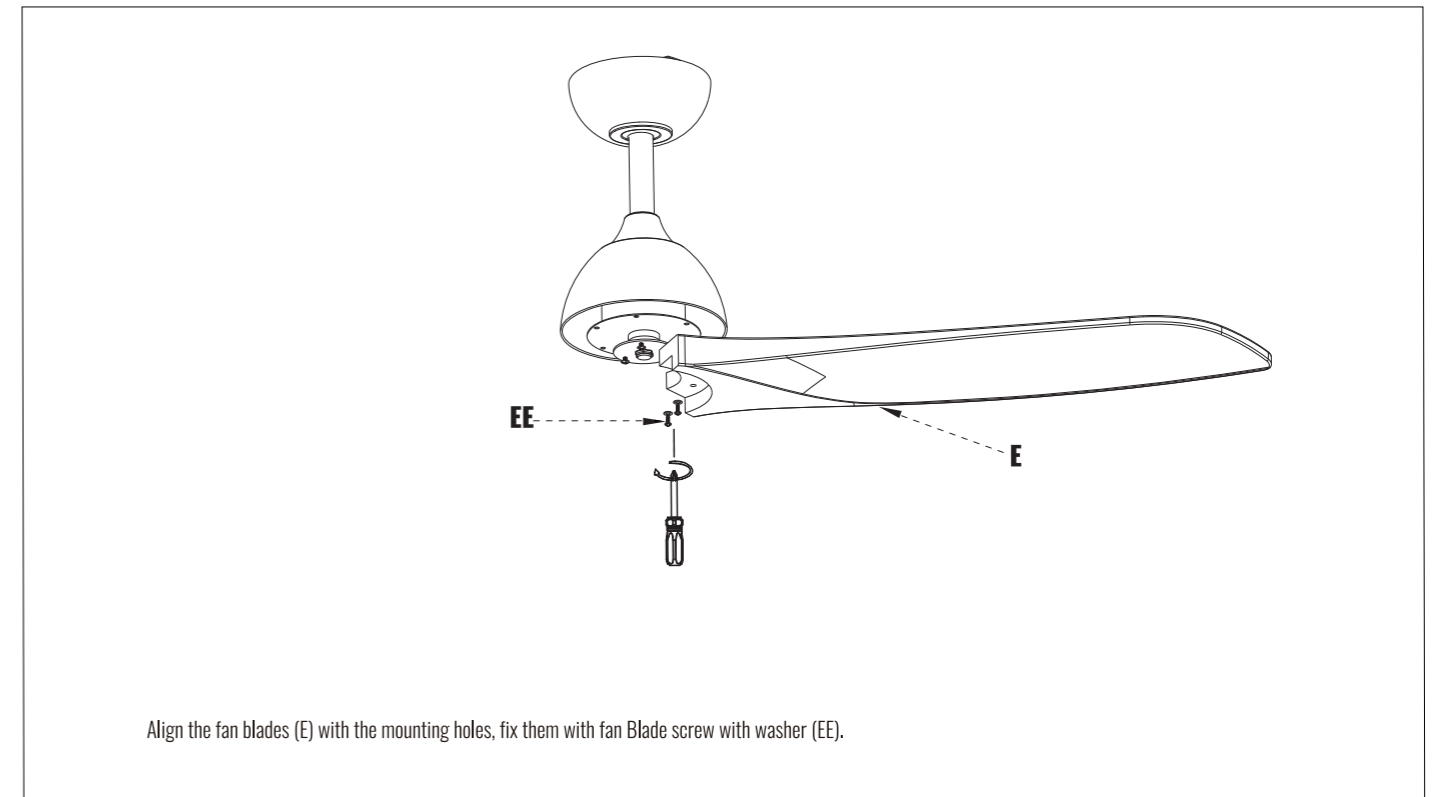
### 5. Attaching the Canopy



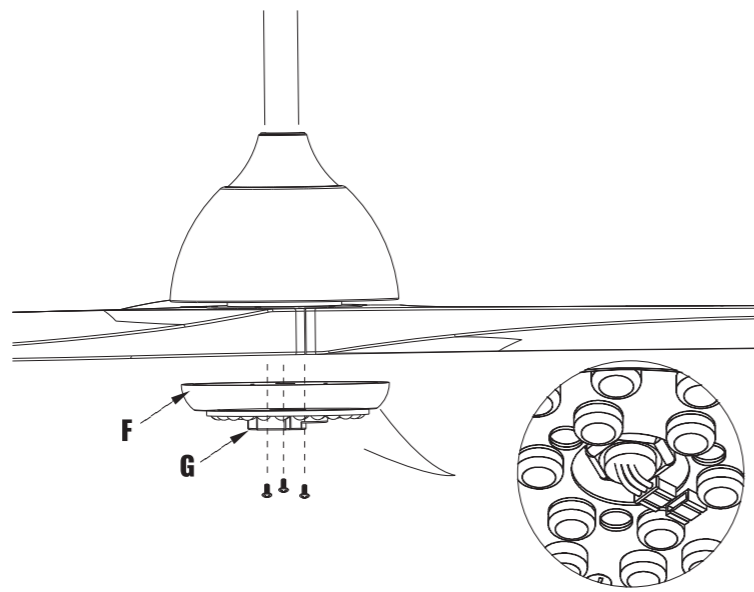
### 4. Wiring



### 6. Assembling the Fan Blade

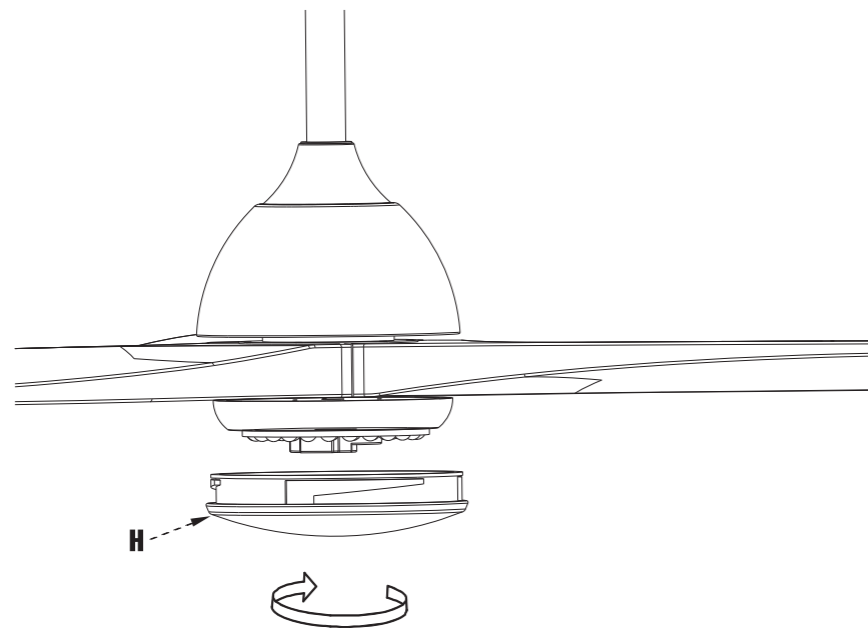


## 7. Install the LED Light Kit



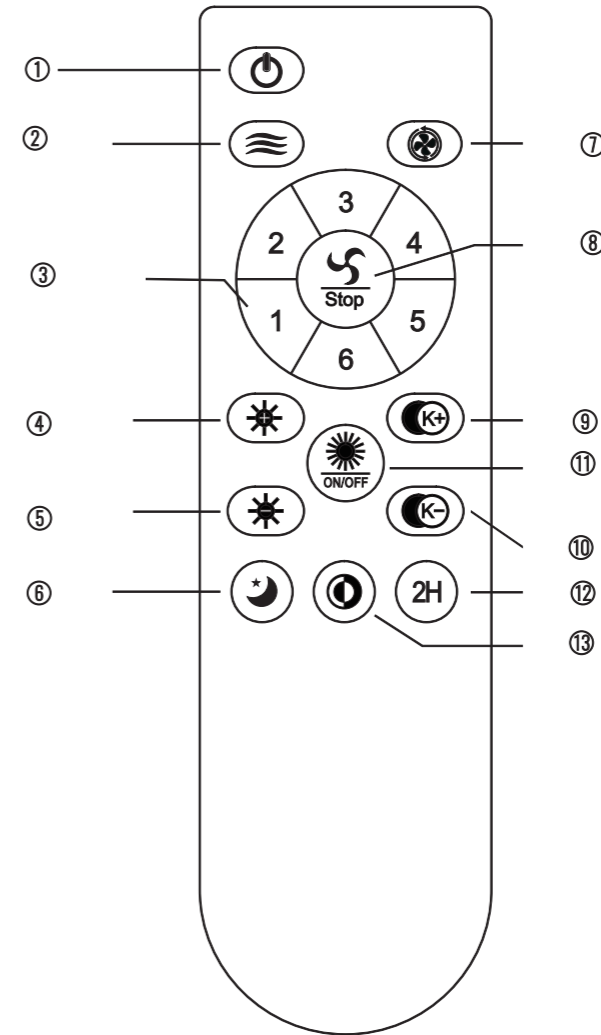
- STEP 1:** Fix the light kit mounting plate (F) on the fan motor assembly (D) with fixing screws taken off.  
**STEP 2:** Connect the wire terminal to the interface on the LED Light Kit (G).

## 8. Install the Light Shade



Rotate the light shade (H) clockwise to secure it to the lamp panel.

## REMOTE CONTROL INSTRUCTIONS



- ① : Turn off power.
- ② : Natural wind, fan speed will change automatically with this function.
- ③ : Turn on the fan on speed 1/2/3/4/5/6.
- ④ ⑤ : Adjust the brightness of the light.
- ⑥ : Night mode, dim the lights.
- ⑦ : Fan moves forwards or reversely.
- ⑧ : Turn off the fan.
- ⑨ ⑩ : Adjust the light color temperature.
- ⑪ : Turn on / off the light.
- ⑫ : 2H for timing the fan.
- ⑬ : Quick switch of the light color: warm white->cool white ->daylight white.

### REMOTE SIGNAL PAIRING:

If the remote control loses signal of the fan, press and hold the ON/OFF button at the very beginning after it's turned on from wall switch. After the fan light flashes or beeps, it's done.