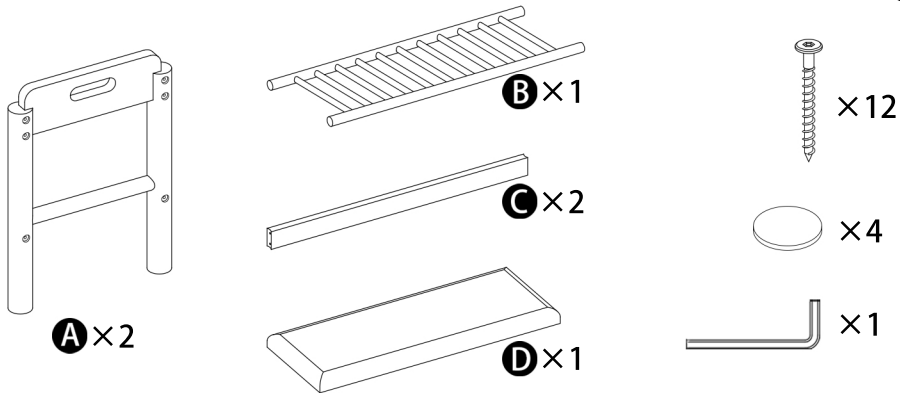
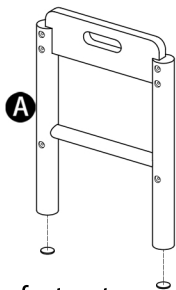


ASSEMBLY INSTRUCTION



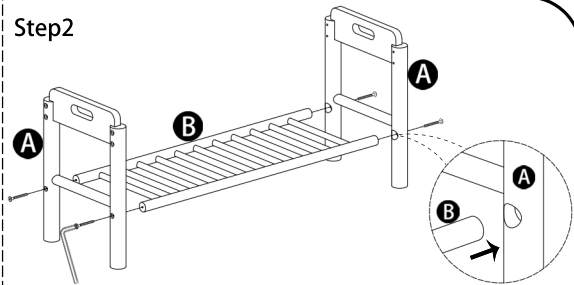
Installation Steps

Step1



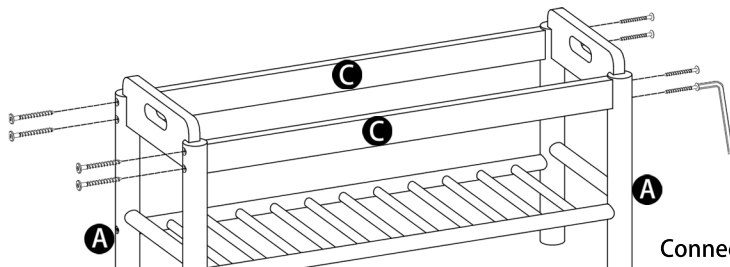
Glue on the foot mats.

Step2



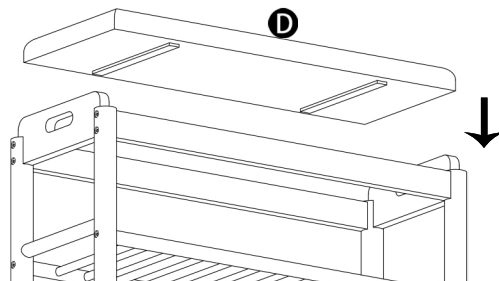
Insert B into A and then tighten the screws.

Step3



Connecting parts A and C.

Step4



Put in the cushion.